

# BLOOMFIELD 3-5 GALLON TEA BREWER

MODEL NO. 8357G & 8357GB

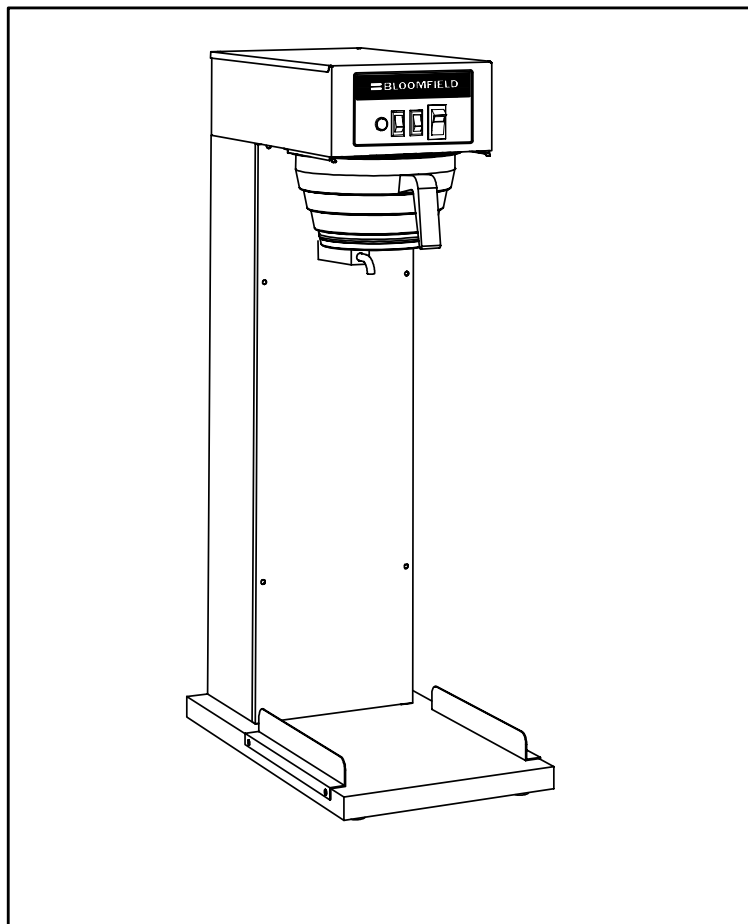
MANUFACTURED

BY

**BLOOMFIELD**

Bloomfield Industries  
2 Erik Circle  
P. O. BOX 280  
Verdi, NV 89439  
U.S.A.

Fax (800) 356-5142  
Ph (702) 345-0444



LISTED  
990H

## TABLE OF CONTENTS

Introduction .....	Page 1	Brewing Instructions .....	Page 8
General Layout Data Sheet .....	Page 2	Timer Adjustment Instructions .....	Page 8
Features .....	Page 3	Thermostat Calibration .....	Page 9
Warranty .....	Page 4	Exploded View .....	Page 10
Safety .....	Page 5	Parts Identification .....	Page 11
Installation Instruction .....	Page 6	Ordering/Service Procedure .....	Page 12
Leveling the Unit .....	Page 6	Troubleshooting .....	Page 13
Plumber's Installation Instruction .....	Page 6	Schematic .....	Page 17
Electrician's Installation Instructions .....	Page 7	Wiring Diagram (8357G) .....	Page 18
Initial Installation Instructions .....	Page 7	Wiring Diagram (8357GB) .....	Page 19

This machine will brew 3 & 5 Gallons of Loose or Filter Pouch TEA and is factory pre-set at 3 Gallons.

# INTRODUCTION

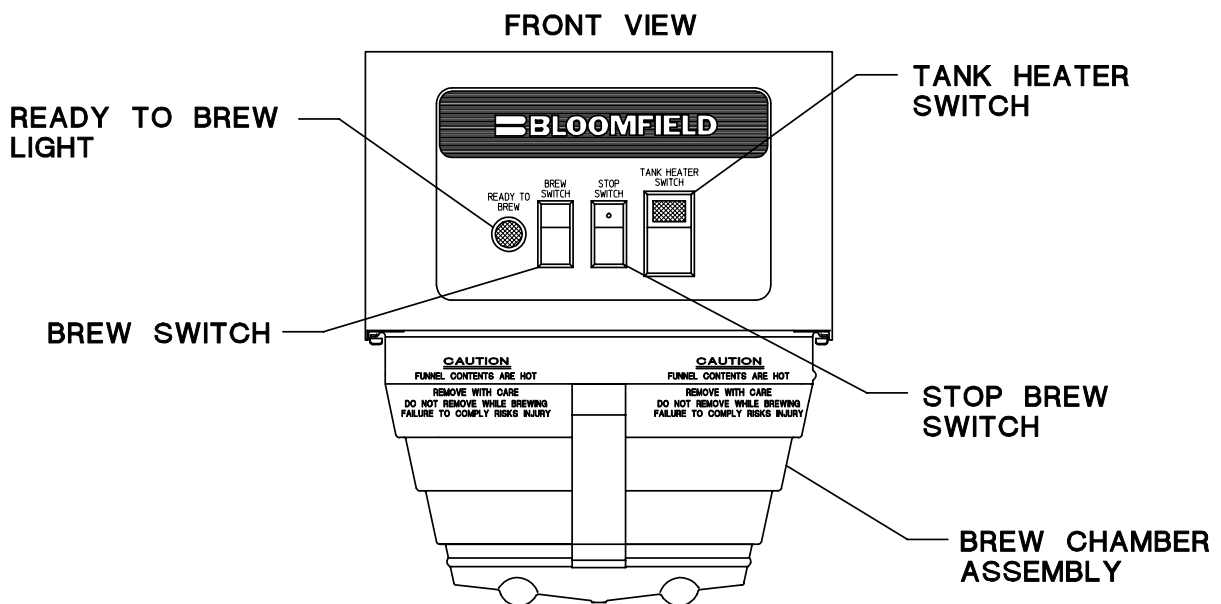
## BLOOMFIELD MODELS: 8357G & 8357GB HI-QUALITY 3 to 5 GALLON TEA BREWER

Thank you for purchasing a Bloomfield Tea Brewer. You will achieve maximum performance from this unit if you familiarize yourself with its many outstanding features. Please take a few minutes to read through the owner's manual. Proper installation is very important if maximum performance and satisfaction are to be achieved. If you have any difficulties, consult your nearest Bloomfield Authorized Distributor. They have the required expertise to provide the proper advice and assistance. If the Bloomfield Distributor is unable to assist you, please contact the factory directly.

Please be certain the electrical connections are compatible, as improper connections could damage the Brewer and void the warranty.

Safe and satisfactory operation of your Bloomfield Brewer depends to a great extent upon its proper installation. This Tea Brewer must be installed without alteration and in accordance with these printed instructions and applicable electrical codes. The performance and safety of the Brewer can be greatly impaired if it is altered in any way, or if installation deviates from the instructions printed herein, and will not be covered under any warranty service agreement.

This Bloomfield Brewer has been designed with adjustment flexibility to cover a wide spectrum of customer needs.

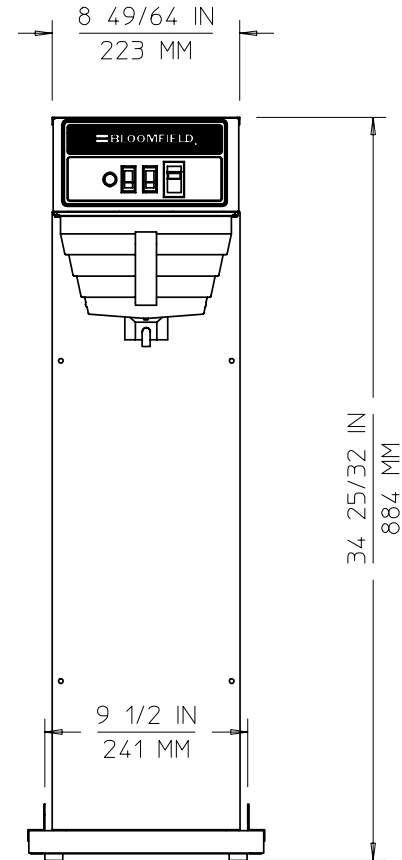
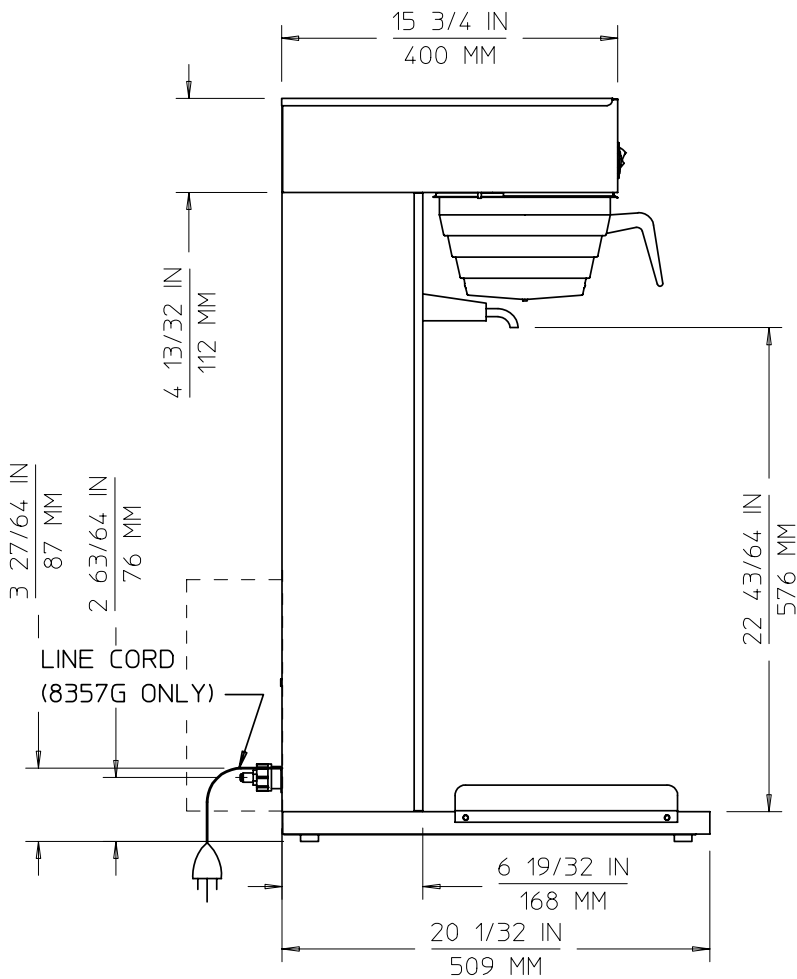
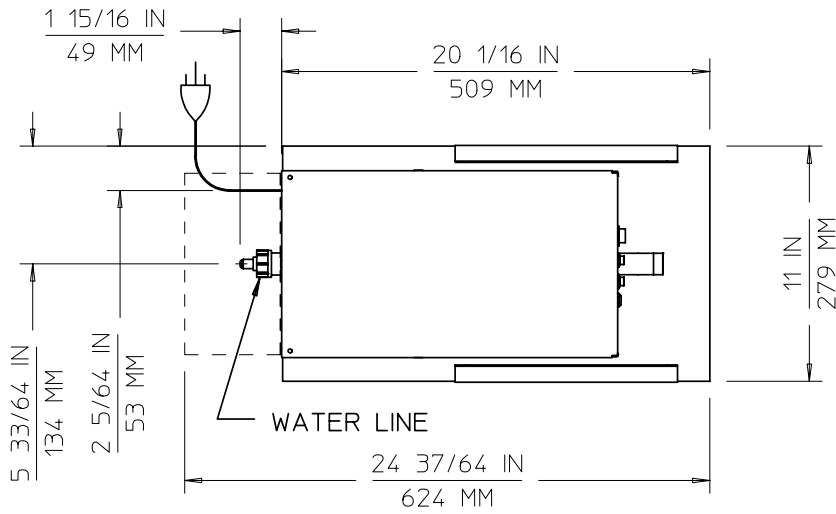


GENERAL LAYOUT DATA

BLOOMFIELD 3 TO 5 GALLON

TEA BREWER

MODELS: 8357G & 8357GB



ELECTRICAL SPECIFICATIONS

MODEL	WATTS	VOLTS	HZ	CIRCUIT REQUIRED	WIRE	PHASE
8357G	1500	120	50/60	15 Amps	2 + GRD	SINGLE
8357GB	3500	120/230	50/60	20 Amps	3 + GRD	SINGLE

# FEATURES

**MODELS 8357G & 8357GB TEA BREWER, manufactured by Bloomfield Industries Inc., is designed to brew 3 to 5 Gallons of tea.**

- o **Operates on 120 Volts, 15 Amps, 1500 Watts, 50/60 Hz service for model 8357G and 120/230 Volts, 20 Amps, 3500 Watts, 50/60 Hz service for model 8357GB.**
- o **Requires a water flow rate of 1 gallon (4 ltr) per minute at a minimum pressure of 30 PSI. (2,0 bars).**
- o **3 to 5 Gallon Brew.**
- o **"Ready to Brew" light to indicate proper water temperature for Tea Brewing.**
- o **Exclusive "water spray disc" where water flows gently and uniformly over the tea grounds, causing a floating action and complete saturation of all tea grounds.**
- o **Factory pre-set thermostat so brewer is ready for operation on installation.**
- o **Teflon color coded wiring, keyed to color tabs at connection points.**
- o **UL, CUL & NSF Listed (UL & CUL: E9253) (NSF: Standard 4)**
- o **Manufactured in USA**

# WARRANTY POLICY

All electrical products manufactured by Wells/Bloomfield are warranted against defects in material and workmanship by our authorized service agents with:

- o One (1) year replacement part warranty
- o One (1) year on labor
- o All genuine Wells/Bloomfield replacement parts are warranted for ninety (90) days from date of purchase on non-warranty equipment. This parts warranty is limited only to replacements of the defective part. Any use of non-genuine Bloomfield parts completely voids any warranty.

Labor includes the cost of travel time and is limited to a sixty (60) mile radius (or up to a maximum of one hour) to the nearest authorized service agency or one of its sub-service agencies. This service will be provided on the customers premises for non-portable models. All labor shall be performed during regular working hours. Overtime premium will be charged to the buyer.

Warranty does not include any coverage for:

- o Resetting the safety thermostats, circuit breakers, overload protectors, or fuse replacements unless warranted conditions are caused.
- o All problems due to operation at voltage other than specified on equipment nameplates – conversion to voltage other than marked on unit is the customer's responsibility.
- o All problems due to electrical connections not made in accordance with electrical code requirements and wiring diagrams supplied with the equipment.
- o All problems due to inadequate water supply, such as fluctuating, high or low water pressure, etc.
- o All problems due to mineral/calcium deposits, or contamination from chlorides and or chlorines. De-liming is considered a preventative maintenance function and not covered by warranty.
- o Calibration of thermostat. Replacement of items subject to normal wear which include such items as knobs, baskets, grids, mechanical timers, and thermocouples. Normal maintenance functions including lubrication, adjustment of thermostats, microswitches, replacement of fuses, and indicating lights.
- o Installation, labor, and job check-outs are not considered warranty.

THIS WARRANTY IS THE COMPLETE AND ONLY WARRANTY, EXPRESS OR IMPLIED IN LAW OR FACT, INCLUDING BUT NOT LIMITED TO WARRANTIES OF MERCHANTABILITY OR FITNESS FOR ANY PARTICULAR PURPOSE, AND/OR FOR DIRECT, INDIRECT OR CONSEQUENTIAL DAMAGES IN CONNECTION WITH WELLS/BLOOMFIELD PRODUCTS. This warranty is void if it is determined that upon inspection by an authorized Wells/Bloomfield dealer/distributor that the equipment has been modified, misused, misapplied, improperly installed, or damaged in transit or by fire, flood or act of nature. It also does not apply if the serial nameplate has been removed or service is performed by unauthorized personnel.

NOTE: A Warranty Statement and Complete Service Agency Listing with Warranty exclusions is provided with each unit.

BREWER WARRANTY IS VOID IF:

Other than genuine Bloomfield replacement parts are used.

Brewer is plugged into voltage other than specified on serial plate.

Tank heating element is energized before water tank is filled.

Recommended Bloomfield servicing procedures are not followed.

## SAFETY

Knowledge of proper procedures is essential to the safe operation of electrically energized equipment. In accordance with generally accepted product safety labeling guidelines for potential hazards, the following 4 signal words are used throughout this chapter.



**DANGER** – Danger is used to indicate the presence of a hazard which will cause severe personal injury, death, or substantial property damage in the event the statement is ignored.



**WARNING** – Warning is used to indicate the presence of a hazard which can cause severe personal injury, death, or substantial property damage in the event the statement is ignored.



**CAUTION** – Caution is used to indicate the presence of a hazard which will or can cause minor personal injury, or property damage in the event the statement is ignored.

NOTE – Note is used to notify personnel of installation, operation or maintenance information which is important, but not hazard related.

NOTE – This piece of equipment is made in the USA and has American sizes on hardware. All metric conversions are approximate and can vary in size.

Hazard Communication Standard (HCS) – The procedures in this chapter may include the use of chemical products. These chemical products will be highlighted with bold face letters followed by the abbreviation (HCS). See the Hazard Communication Standard (HCS) Manual for the appropriate Material Safety Data Sheet(s) (MSDS).

# INSTALLATION INSTRUCTION

READ THIS COMPLETELY BEFORE STARTING THE INSTALLATION



**CAUTION:** DO NOT plug in or energize this unit until installation instructions are read and followed. Damage to the Brewer will occur if the instructions are not followed.

To enable the installer to make a quality installation and minimize installation time, the following suggestions and tests should be done before the actual unit installation is begun.

## LEVELING THE UNIT

Set Tea Brewer in operating location and level. It is very important for proper operation that the Brewer be level when it is standing in its proper operation position. A spirit level should be placed on the top of the Brewer, at the edge, as a guide when making level adjustments. Level the unit from left to right and front to back by turning the adjustable feet that support the unit.

## PLUMBER'S INSTALLATION INSTRUCTION

**NOTE:** This equipment must be installed to comply with the Basic Plumbing Code of the Building Officials and Code Administrators International, Inc (BOCA) and the Food Service Sanitation Manual of the Food and Drug Administration. (FDA)

Flush water line before connecting to Brewer. Brewer should be connected to COLD WATER line.

**NOTE:** Bloomfield recommends 1/4" copper tubing for installation of less than 25 feet and 3/8" for more than 25 feet from the 1/2" water supply line. Do Not use a saddle valve for water line connection.

A water shut-off valve should be installed on the incoming water line in a convenient location.

The Brewer must be installed on a water line with a flowing pressure between 30 PSI and 70 PSI. A pressure regulator must be installed in the water supply line, if water pressure does not fall into this range, varies greatly, or exceeds 70 PSI at anytime.



**CAUTION:** If local codes require a back flow preventor, a water hammer arrestor (Part no. 9012-44) MUST be installed between the back flow preventor and the Brewer. The Back flow preventor should be installed as close to the incoming water source as possible. Failure to comply will cause damage to the Brewer.

# ELECTRICIAN'S INSTALLATION INSTRUCTIONS



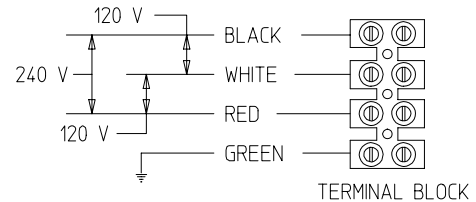
**WARNING ELECTRICAL SHOCK HAZARD:** Brewer must be properly grounded to prevent possible shock hazard. DO NOT assume a plumbing line will provide such a ground. Electrical shock will cause death or serious injury.

The unit requires a dedicated power source capable of supplying: 120 Volt A.C. 50/60 Hertz, (3) wire, Single Phase, 15 Amp Service for Model 8357G & 120/230 Volt A.C. 50/60 Hertz, (4) wire, Single Phase, 20 Amp Service for Model 8357GB.

The 8357G 120 Volt Unit is shipped from the factory with a 3-wire, 2-pole polarized power cord and cap attached. Plug unit 8357G into 110-120 Volt grounded outlet, fused at 15 Amps.

See Diagram for Unit 8357GB installation.

8357GB 120/240 VOLTS-SINGLE PHASE 20 AMPS.  
USE ON A 20 AMP BRANCH CIRCUIT  
ONLY (USE #12 AWG WIRE).



**CAUTION:** Make sure tank heater switch on front panel is in OFF position before plugging unit into the electrical outlet. Bottom portion of switch rocker should be pressed in. Failure to turn off the element will damage the element and void warranty.

## INITIAL INSTALLATION INSTRUCTIONS



**CAUTION:** Initial Installation should be performed by a qualified installer or qualified service technician. Improper installation will damage the Brewer and void warranty.

Electrician's and Plumber's Instructions should be followed carefully before proceeding with Initial Installation Instructions.

Be sure all electrical and plumbing connections are secure and leak proof.

Make sure Tank Heater Switch on Front Panel is still in OFF position.

Place an empty Dispenser in position.

Press Brew Start Switch to initiate brewing cycle. This will energize the solenoid and will begin filling the tank with water. When the solenoid stops filling the tank and water does not begin to flow from the spray disc, press the Brew Switch again to continue filling the Tank.

Press Brew Stop Switch when water begins to flow from Spray Disc.

Turn Tank Heater Switch to ON position. This will also activate bypass water valve.

Allow 30 minutes for initial water heat up. Time will vary with incoming water temperature.

When tank water is up to desired Brew temperature, the green READY TO BREW light will be on.

**NOTE:** During the initial heat-up, some water may drip from spray disc. This is normal due to hot water expansion.

Discard all water in Dispenser.

**NOTE:** Brewer is factory pre-adjusted for Three (3) Gallons of beverage.

The Brewer is now ready for use.



# BREWING INSTRUCTIONS

Place a single filter paper in Brew Chamber and add Tea. Slide Brew basket into rails, pushing it to full back stop location.

Contact your tea supplier for quantity required.

Press Brew Switch to initiate brewing cycle.

 **WARNING:** Make sure water has completely stopped dripping before removing the Brew Chamber. Hot water in the Brew Chamber will cause serious burns.

Press the "Brew Stop" switch if for any reason there is a need to stop the brewing cycle before its completion. This stops water flow to the Brew Chamber.

Check Brew Volume. See "Timer Adjustment Instructions" below to change the volume quantity.


## TIMER ADJUSTMENT INSTRUCTIONS

**NOTE:** Adjustments should be performed by a qualified installer or service technician

This Brewer was Pre-Adjusted for 3 Gallons.

The following are to be done if it is necessary to vary the Tea volume to match dispenser size.

All operating controls are accessible thru the Front Panel only.

 **ELECTRICAL SHOCK HAZARD:** Turn off the Tank Heater Switch and disconnect power supply to Brewer before removal of any panel or replacement of any component. Electrical shock will cause death or serious injury.

1. Unplug unit from the electrical outlet.
2. Remove Front Panel by removing four (4) #8 Screws (See item 51 on page 10)
3. Adjust the setting on the timer on the left side of the unit to match dispenser size.
4. Replace Front Panel.
5. Plug unit in, turn tank heater switch on and recheck volume.
6. **NOTE:** Some fine tuning maybe necessary.

# THERMOSTAT CALIBRATION

The Bloomfield Brewers normally do not require recalibration if delimed on a regular basis. Lime build-up on the Thermostats sensing bulb in the water tank can cause the calibration to change.



**ELECTRICAL SHOCK HAZARD:** Turn off the Tank Heater Switch and disconnect power supply to Brewer before removal of any panel or replacement of any component. Electrical shock will cause death or serious injury.



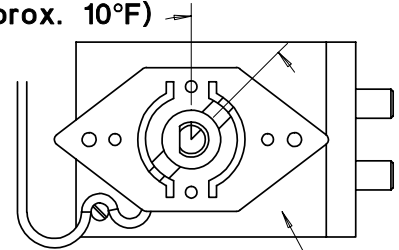
**CAUTION:** All adjustments should be made by a authorized Bloomfield Service Technician

1. Unplug unit from the electrical outlet.
2. Remove Front Panel. (See item 51 on page 10)
3. Locate the Control Thermostat (See item 55 on page 10) and turn **CLOCKWISE** to **INCREASE** the temperature of the brew water or **COUNTERCLOCKWISE** to **DECREASE** the temperature of the brew water. (See Figure 1)

**NOTE:** 1/8th of a turn on the Thermostat is approximately 10°F. (5.5°C.)

4. Reinstall Front panel.
5. Plug unit in, turn Tank Heater Switch on.

1/8 turn (approx. 10°F)

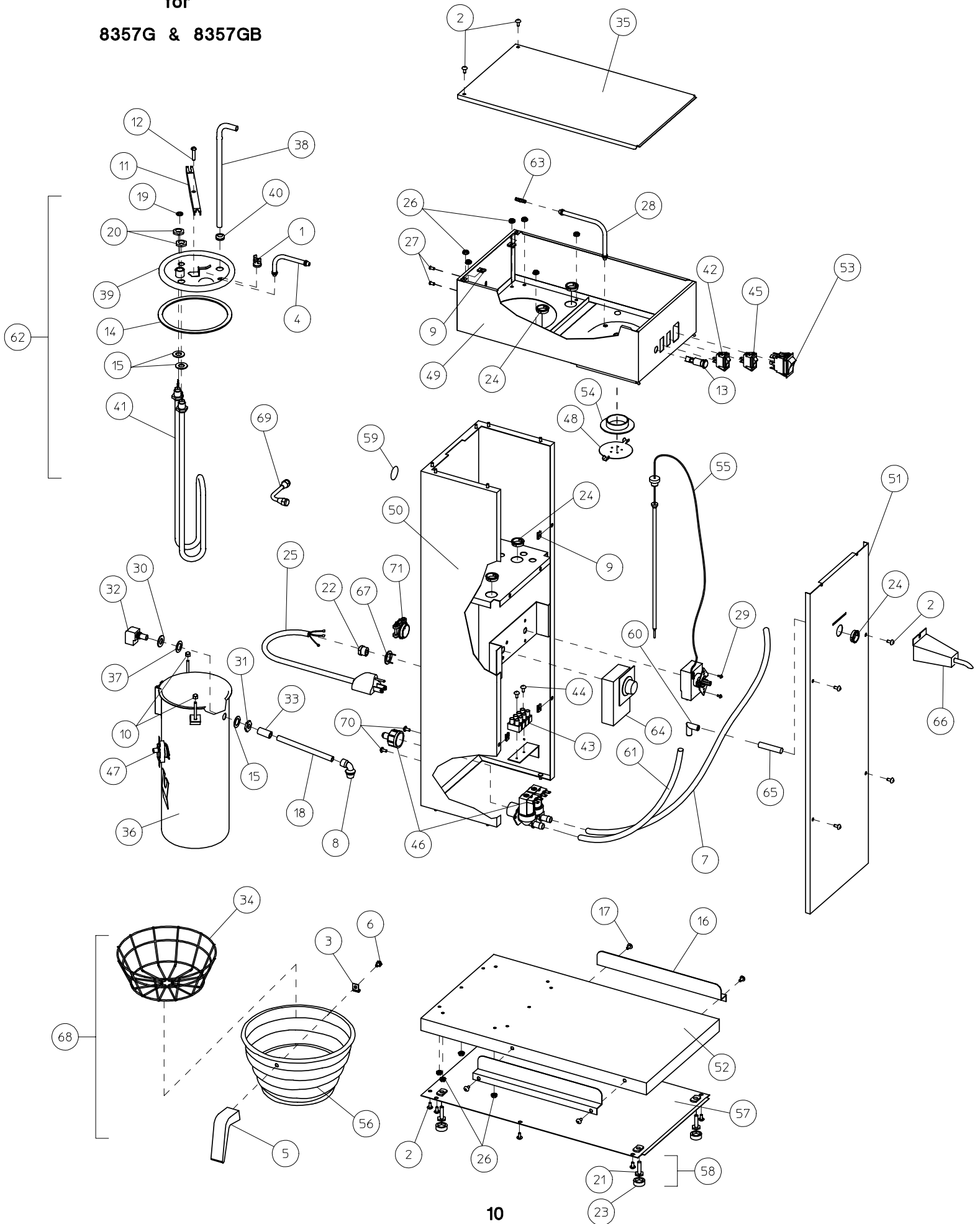


Control Thermostat

— Figure 1 —

# EXPLODED VIEW

for  
8357G & 8357GB



**PARTS IDENTIFICATION**  
(FOR MODELS: 8357G & 8357GB)

ITEM	SERVICE #	DESCRIPTION	QTY.
1	8043-83	THERMOSTAT HI LIMIT (8357G)	1
2	8543-52	SCREW PHL SS 8 X 3/8	14
3	8812-73	CLIP BREW BASKET	1
4	8043-15	TUBE VENT	1
5	8707-2	HANDLE BLACK	1
6	8707-3	SCREW HEX 10-32X5/16	1
7	82269	TUBE WATER OUTLET 37" .312 ID	1
8	8043-11	ELBOW OUTLET	1
9	8543-23	NUT TNR ZI #8	14
10	8043-506	NUT ACR SS 8-32	2
11	8043-5	STRAP HOLD DOWN ASSY	1
12	8043-47	SCREW PAN 10-32 X 1	1
13	82671	LIGHT PILOT GRN 125V (8357G)	1
	8738-2	LIGHT PILOT GRN 240V (8357GB)	1
14	8043-12	GASKET TANK COVER	1
15	83147	GASKET ELEM HTG	2
16	83250	BRACKET GUIDE BASE	2
17	7200-6X	SCREW #8-32 X 3/8 PHL	4
18	83035	TUBE OUTLET WATER	1
19	8512-41	WASHER THERMO SEAL 5/16 OD	1
20	8043-28	NUT HEX BR 1/2-20	2
21	8033-55	LEG LEVELER PLATED	4
22	35-210	STRAIN RELIEF LQ TGHT (8357G)	1
23	8033-56	LEG LEVELER	4
24	8543-69	BUSHING SHORTY HEYCO	5
25	8596-4	CORD ASSY (8357G)	1
26	8942-92	NUT KEP 8-32	12
27	7200-6X	SCREW PAN PH SS 8-32X5/16	2
28	8706-20	TUBE VENT LONG	1
29	3-100	SCREW RND HD 6-32X1/4 PHL SS	2
30	8812-70	WASHER BEVELLED	1
31	7510-22	NUT HEX BR 1/2-24	1
32	8812-41	ELBOW OUTLET ASSY	1
33	8812-49	TUBE CONNECTOR 1IN	1
34	8706-9	RACK WIRE BREW CHAMBER	1
35	8812-16	BASIN COVER	1
36	8812-10	TANK WLD ASSY (8357G)	1
	82483	TANK WLD ASSY (8357GB)	1
37	8043-30	GASKET ELEM HTG	1
38	83034	FILL TUBE W/90° BEND	1
39	82665	TANK COVER WELDED ASSY	1
40	82390	GROMMET FILL TUBE	1
41	8043-14	ELEM TANK 120V 1500W (8357G)	1
	82477	ELEM TANK 230V 3500W (8357GB)	1
42	8707-55	SWITCH ROCKER BREW START	1
43	8552-18	TERMINAL BLOCK (8357GB)	1
44	616-5	SCREW #6-32 X 3/4	2
45	8812-40	SWITCH NORM ON-MOMEN-OFF	1
46	83282	DUAL SOLENOID VALVE ASSY	1
47	8552-50	THERMOSTAT HI-LIMIT (8357GB)	1
48	82186	DISC SPRAY HEAD	1
49	82937	BASIN WLD ASSY	1
50	83252	BODY WLD ASSY	1
51	82952	PANEL FRONT	1
52	83247	BASE WLD ASSY	1
53	82214	SWITCH TANK HTR 15 AMP	1
	8528-40	SWITCH TANK HTR 20AMP	1

ITEM	SERVICE #	DESCRIPTION	QTY.
54	82215	GASKET SPRAY HEAD	1
55	82216	THERMOSTAT W/36" CAPILLARY	1
56	83101	CHAMBER BREW	1
57	83249	BOTTOM PLATE ASSY	1
58	81732	LEG LEVELER ASSY	1
59	8705-36	BUTTON PLUG 7/8	1
60	8540-30	ELBOW	1
61	82661	TUBE WATER BYPASS 27"	1
62	82951	TANK COVER ASSY (8357G)	1
	83274	TANK COVER ASSY (8357GB)	1
63	82241	FTG HOSE CONNECT STRAIGHT	1
64	8812-61	TIMER 8 MIN	1
65	82724	TUBE SILICONE 4"	1
66	82941	WATER SPOUT ASSY	1
67	83273	ADAPTOR STRAIN RELIEF (8357G)	1
68	83100	BREW CHAMBER ASSY .187 HOLE	1
69	8540-4	TUBE ASSY INLET COPPER	1
70	83205	SCREW 4 MM X 6 MM	2
71	66385	FTG CONDUIT STR 3/4 (8357GB)	1

**OPTIONAL ACCESSORIES**

	900022	REAR COVER
	82198	EVERPURE WATER FILTER MH
	82199	EVERPURE WATER FILTER BH



# TROUBLESHOOTING



**ELECTRICAL SHOCK HAZARD:** Inspecting, testing and repair of electrical equipment should be performed only by qualified service personnel. The brewer should be unplugged when servicing, except when electrical tests are required. Electrical shock will cause serious injury or death.

It is very important, when servicing equipment to:

1. Define the basic problem
2. Isolate the probable cause
3. Take corrective action regarding those items hampering proper operation of the equipment.

It is usually relatively easy to define the basic problem, but sometimes very difficult to pinpoint the precise cause.

A Troubleshooting guide is provided in this manual to suggest probable causes and corrective actions for each problem. Obviously, if the cause is not isolated and corrected, proper operation of the equipment cannot be restored.

Should the problem remain after exhausting the troubleshooting steps suggested, refer to the Order/Service information section of the chapter. (page 12)



**ELECTRICAL SHOCK HAZARD:** Use extreme care during electrical circuit test. Live circuits will be exposed. Electrical shock will cause serious injury or death.

# TROUBLESHOOTING (Continued...)

PROBLEM	PROBABLE CAUSE	CORRECTIVE ACTION
Unit fails to brew	Start switch	Check start switch continuity, replace if defective.
	Timer	Check timer continuity, replace if defective.
Unit fails to stop brewing after pressing Stop Brew Switch	Stop Brew Switch	Check Stop Brew Switch continuity, replace if defective.
	Switch open time too short	Press switch for longer than 1 second
	Water Solenoid Valves	Identify which Solenoid Valve is defective. Replace Solenoid Valve if it does not close when Stop Brew Switch is pressed.
Tea overflows from the Filter when brewing	Timer	Check total volume of Tea. Readjust timer if necessary. Refer to Timer Adjustment Instructions on page 8.
	Water Solenoid Valve	Check both Solenoid Valves for correct flow. Replace valve.
Water keeps running (Will not shut OFF)	Timer	Timer is defective, will not cycle to OFF condition. Replace timer.
	Water solenoid valve (Plunger stuck open)	Identify faulty valve. Check coil and replace coil or valve if defective.
Water fails to heat, and brewer does not work.	No power to brewer	Check if power cord is plugged into wall outlet. Check line fuse or circuit breaker – if OFF, turn it ON or replace. If circuit continues to be open, call a qualified service agent. Defective cord or plug – repair or replace. Loose wires – remove front and top panels and check for loose connections, screws or terminals. Tighten screws, repair or replace terminals.
	Hi-limit safety control	Push Reset (Model 8357GB) Check for a loose wire or connection. Repair and/or reconnect. Disconnect wires and check for continuity on both terminals of the hi-limit safety control. If continuity is present, the control is functioning properly, if not, replace hi-limit.
	Unit damaged due to hook-up to wrong voltage.	Check source receptacle for single phase or mis-wired power receptacle. Refer to Electrician's Installation instructions on page 7 of this Manual for proper power source of each unit.
Water fails to heat, but brewer does work.	Heater switch	Switch in OFF position – turn ON. Defective switch, replace switch.
	Tank Heater	Check for loose wire or connection. Repair or reconnect. Check for proper voltage at tank heater terminals. If voltage is present, element is defective, replace element.
	Thermostat	Check for loose wire or connection feeding into the thermostat. If ready light is ON turn the thermostat adjusting shaft CLOCKWISE to the full ON position. If ready light goes out, water should begin to heat, adjust to proper water temperature. If ready light stays ON, replace the thermostat.
Ready light fails to glow when water reaches brew temperature	Ready light is defective.	If thermostat cycles ON and OFF and ready light does not glow, replace ready light.

# TROUBLESHOOTING (Continued...)

PROBLEM	PROBABLE CAUSE	CORRECTIVE ACTION
Water heats, but is not hot enough	Thermostat needs adjustment.	If water from the spray elbow (with spray disc removed) is not hot enough for proper brewing, and thermostat cycles the tank heater OFF, adjust the thermostat to a higher setting. 1/2 turn equals approximately 18°F (10°C) temperature change. To INCREASE the tank temperature, turn the adjustment shaft in a CLOCKWISE direction.
	Thermostat defective.	If adjusting thermostat to a higher setting does not correct the problem, the thermostat is defective, replace it.
	Hi-limit safety control (Ready light does not come on)	Hi-limit safety control is defective. Replace it.
Water heats, but takes a long time. (Slow recovery)	High lime deposits.	Delime unit.
	Low voltage at source.	Check voltage. It should be within 10% of unit rating plate. If a low voltage condition exists, an electrician should be consulted. A low voltage condition can and does cause frequent service calls, as well as extending water heating time.
	Low voltage at tank heater.	Voltage rating and power source must be the same. Check wiring diagram and re-wire.
Water temperature too hot. (Steams, Boils or heat never shuts off)	Thermostat	Thermostat out of calibration or defective. Adjust or replace it.
Dry Tea remaining in the brew funnel after a brew has been completed.	Spray disc missing.	The spray disc must be in place to break up the water stream.
	Filter paper	Use proper filter papers.
	Improper loading of the brew funnel.	Filter should be centered in the brew funnel and the tea bed should be level.
Tea grounds do not get wet – water leaks out of the bottom of the unit.	Leak in water path	Check for correct fit and leakage at all fittings and tubing assy, tank cover gasket and bypass tubing.
Weak Tea	Too much water	Adjust timer/Decrease volume or change grind.
	Water temperature too low	Adjust thermostat to a higher setting
	Improper loading of brew funnel	Filter paper must be centered in brew funnel. Tea bed must be level when starting a brew cycle.
Inconsistent volume of Brew	Receiving Dispenser not empty when a brew cycle is started	Always start with an empty receiving dispenser when a brew is started
	Water pressure too high or fluctuating.	Check flowing water pressure to see if it exceeds 90 PSI at anytime, a pressure regulator should be installed in the water supply line. Refer to page 6 on Plumber's Installation Instructions for more information.
Water continues to flow. (Will not shut OFF if power is disconnected)	Start switch	Check start switch continuity and wire connections if valve closes. Replace/repair if defective.
	Solenoid Valve	Solenoid Valve is defective if does not close after brewed cycle. Replace Solenoid Valve.



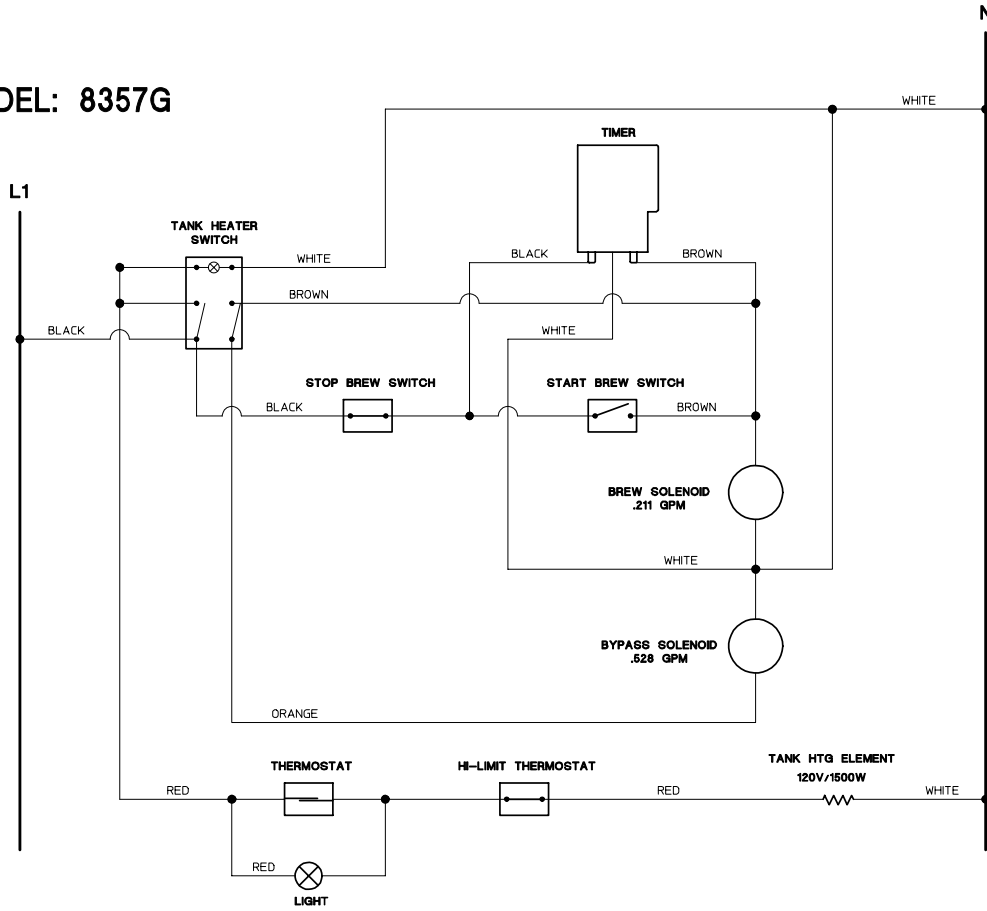
# TROUBLESHOOTING (Continued...)

PROBLEM	PROBABLE CAUSE	CORRECTIVE ACTION
No water from the spray disc (when brew switch is activated)	No Water	Be sure water shut-off valves are open.
	No Power	Check line fuse or circuit breaker. If OFF, turn ON, or replace fuse. Make certain unit is alone on its own electrical lines. If fuses or circuit breaker continue to open, call qualified serviceman.
	Loose wire or connection	Remove unit top cover and front panel. Check all wires and connections, be certain none are loose or disconnected. Repair loose connections, and/or wires and reattach.
	Strainer (in solenoid)	Strainer may be plugged – clean screen or replace
	Start Brew Switch	Check switch continuity. If switch does not make and break contact, replace switch.
	Timer	When Start Brew Switch is pressed, the timer should activate. The timer should continue to operated until the cycle is completed. If not, replace the timer.
	Water Solenoid Valve	Check both solenoid valves for continuity at the terminals of the solenoid valve coil. If no continuity, replace either solenoid valve coil or the complete solenoid. Check both Solenoid Valves for correct flow. Replace valve if it varies more than 10% of it's gpm (gallons per minute) required.
Brewed volume Too much Tea or too little Tea	Timer	Timer need adjustment. Turn timer adjustment for desired volume change. turn CLOCKWISE to INCREASE the volume or COUNTERCLOCKWISE to DECREASE the volume. Check timer cycle several times with a stopwatch. If times are irregular, replace the timer. Turn at small increments to avoid large volumn variation.
	Flow restrictor in output end of water solenoid valve	Dirty, missing, damaged or inoperative flow restrictor. Replace the water solenoid valve. Particles in the water solenoid valve may partially clog the orifice to the flow restrictor.
	Water pressure variations	All automatic brewers require a constant water pressure between 30 and 70 PSI for consistent, trouble-free operation. Wide swinging water pressures lead to erratic delivery. A pressure regulator may be needed to stabilize high running pressures. A water source that falls below 30 PSI results in short pots or erratic volume delivery.

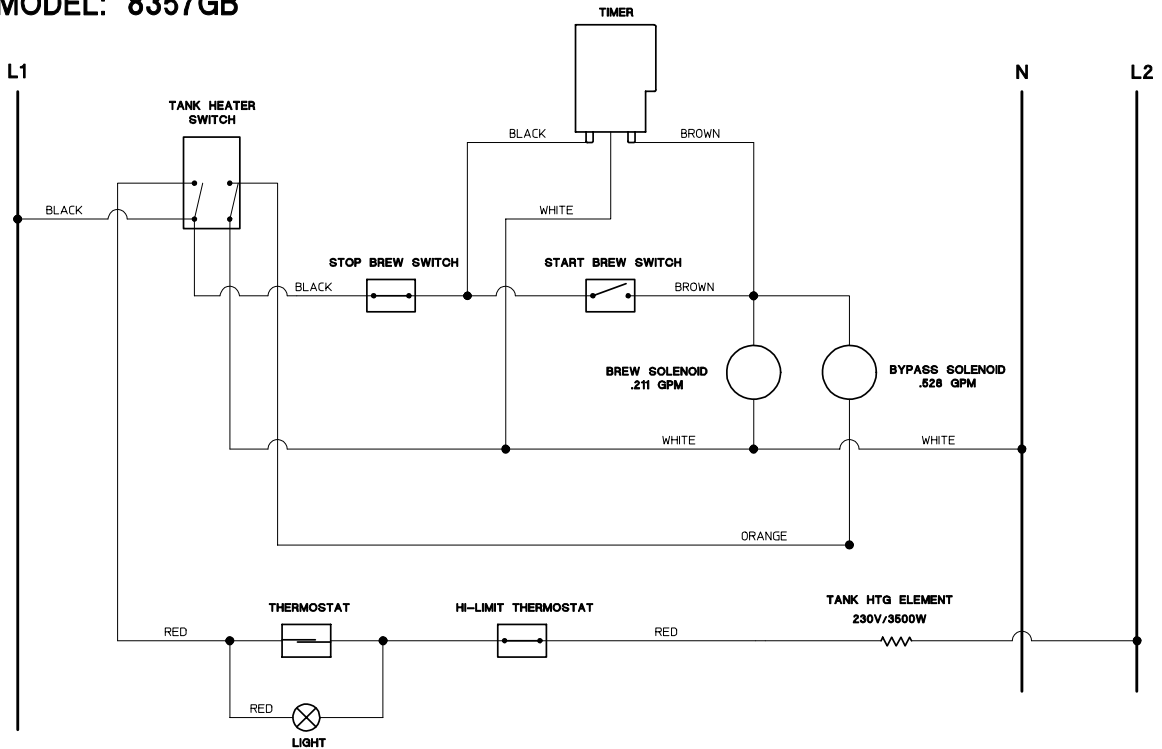
# SCHEMATIC

(MODELS: 8357G & 8357GB)

**MODEL: 8357G**

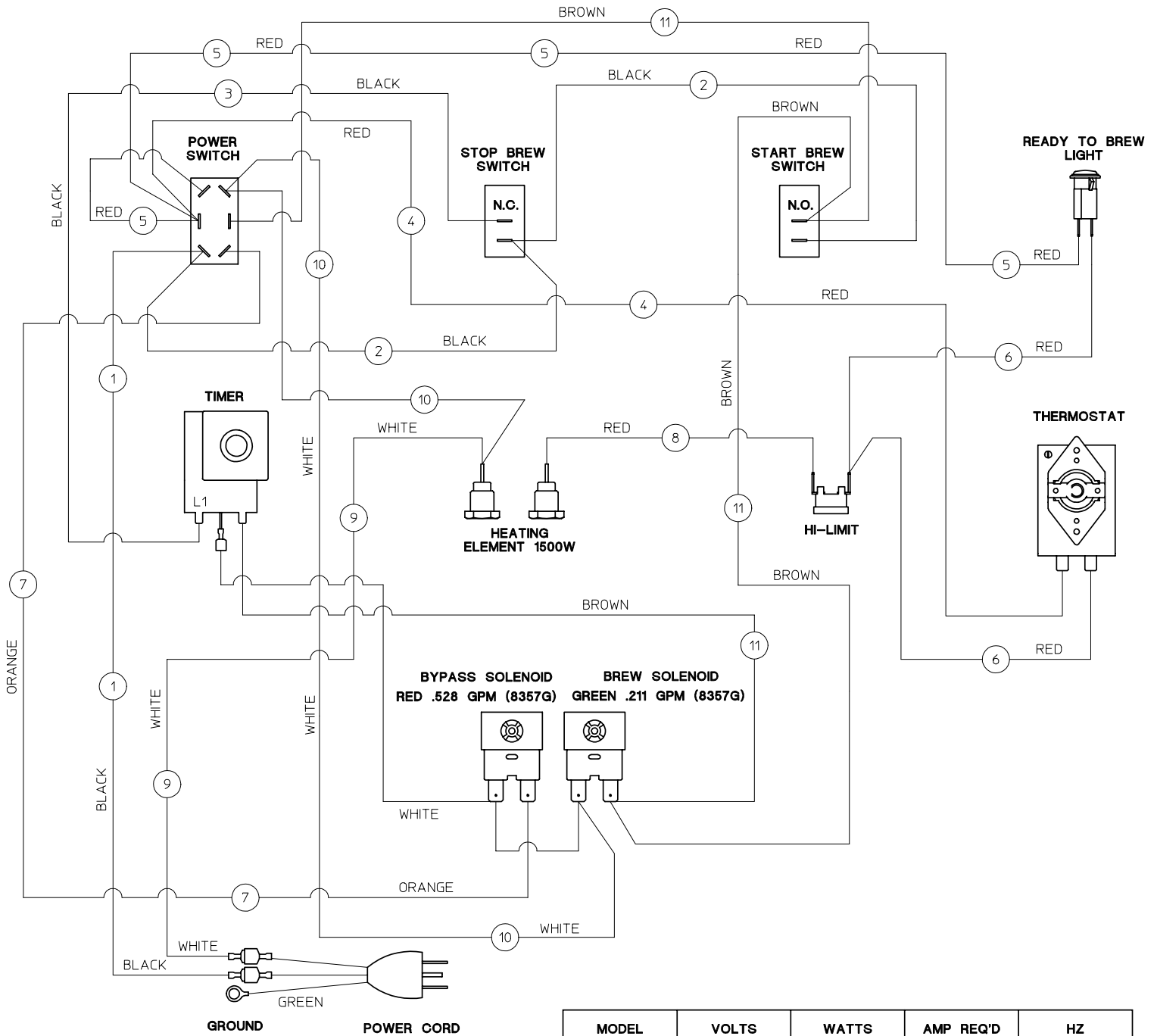


**MODEL: 8357GB**



# WIRING DIAGRAM

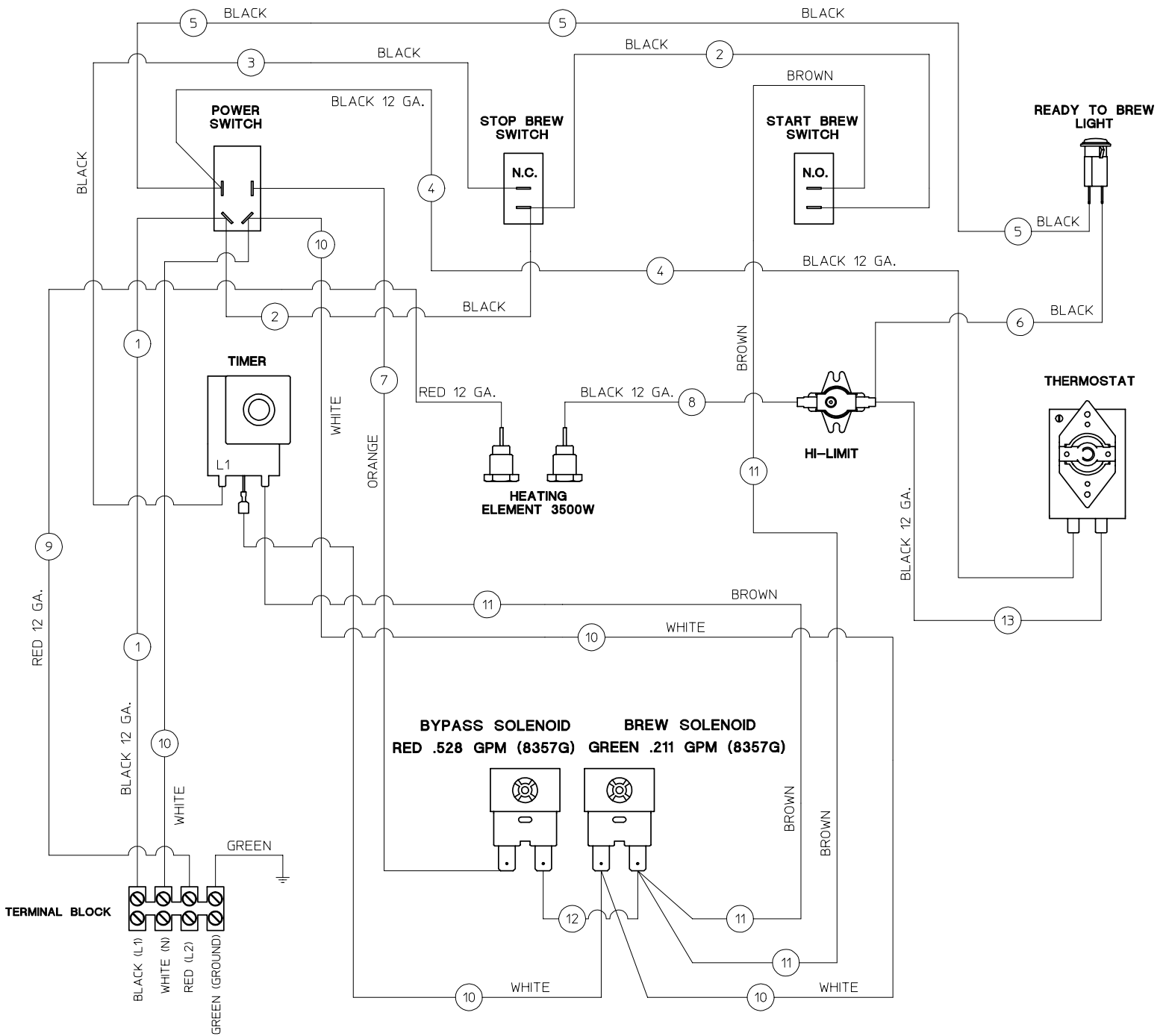
## (MODEL: 8357G)



MODEL	VOLTS	WATTS	AMP REQ'D	HZ
8357G	120	1500	15	50/60

# WIRING DIAGRAM

## (MODEL: 8357GB)



MODEL	VOLTS	WATTS	AMP REQ'D	HZ
8357GB	120/230	3500	20	50/60