

# BLOOMFIELD 3-5 GALLON TEA BREWER

MODEL NO. 8357

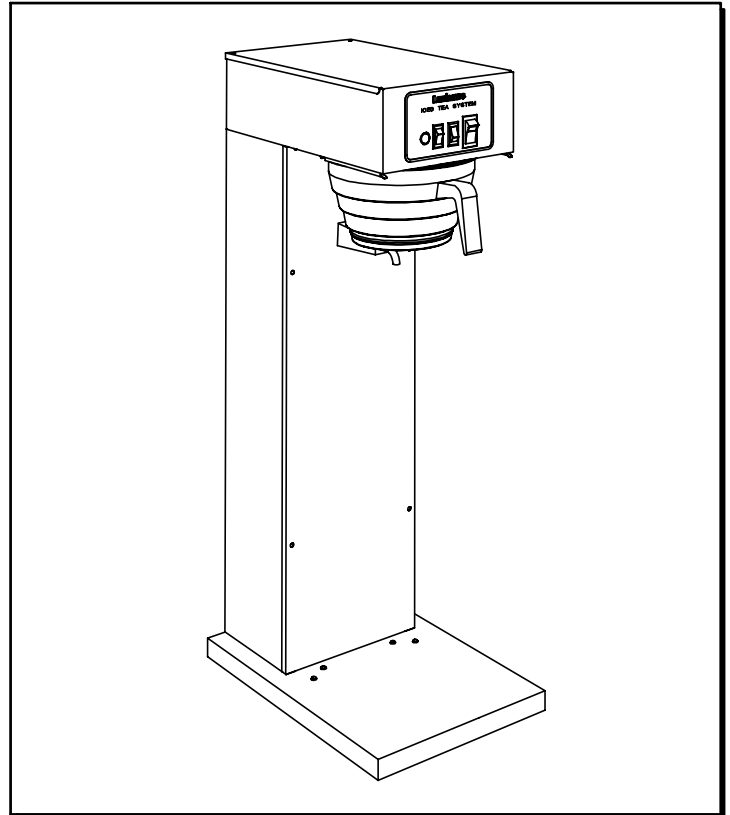


MANUFACTURED  
EXCLUSIVELY FOR  
REILY FOODS COMPANY

BY

**BLOOMFIELD**

**Bloomfield**  
10 Sunnen Dr.  
St. Louis, MO 63143  
Phone: 314-678-6336  
Fax: 314-781-2714



## TABLE OF CONTENTS

INTRODUCTION .....	PAGE 1
INSTALLATION INSTRUCTION .....	PAGE 2
INITIAL OPERATING INSTRUCTION .....	PAGE 3
BREWING INSTRUCTION .....	PAGE 4
WIRING DIAGRAM .....	PAGE 5
PARTS IDENTIFICATION .....	PAGE 6
EXPLODED VIEW .....	PAGE 7
SERVICE INFORMATION FOR SOLENOIDS .....	PAGE 8
ORDERING PROCEDURE .....	PAGE 9
WARRANTY .....	PAGE 10

This machine will brew 3 & 5 Gallons of Loose or Filter Pouch TEA and is factory pre-set at 3 Gallons.

Printed in December 1996

# INTRODUCTION

## BLOOMFIELD MODEL 8357

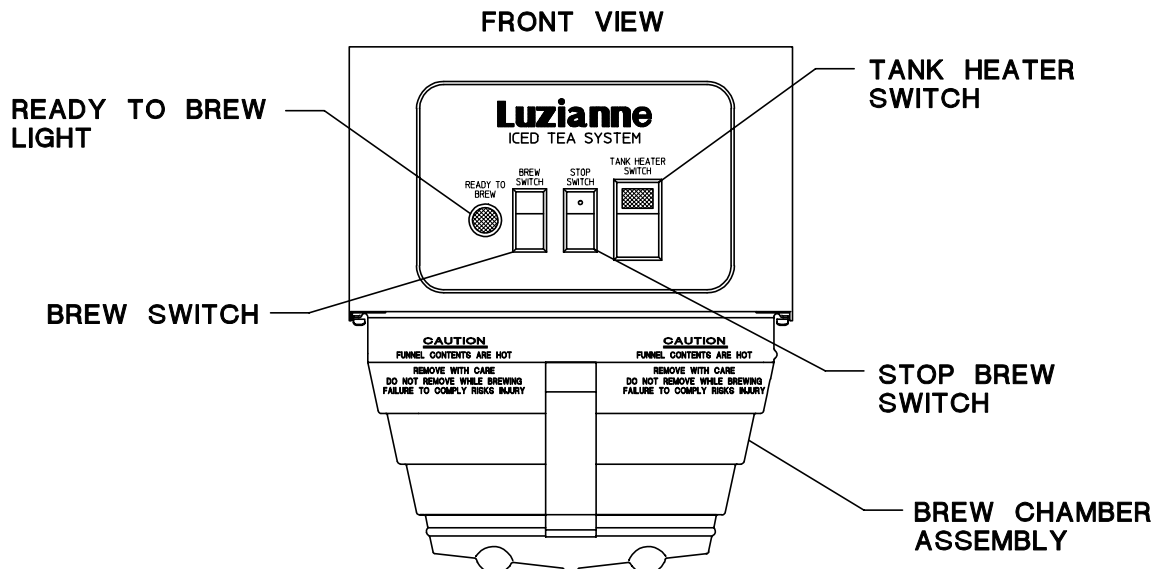
### HI-QUALITY 3-5 GALLON TEA BREWER

Thank you for purchasing a Bloomfield Tea Brewer. You will achieve maximum performance from this unit if you familiarize yourself with its many outstanding features. Please take a few minutes to read through the owner's manual. Proper installation is very important if maximum performance and satisfaction are to be achieved. If you have any difficulties, consult your nearest Bloomfield Authorized Distributor. They have the required expertise to provide the proper advice and assistance. If the Bloomfield Distributor is unable to assist you, please contact the factory directly.

Please be certain the electrical connections are compatible, as improper connections could damage the Brewer and void the warranty.

Safe and satisfactory operation of your Bloomfield Brewer depends to a great extent upon its proper installation. This Tea Brewer must be installed without alteration and in accordance with these printed instructions and applicable electrical codes. The performance and safety of the Brewer can be greatly impaired if it is altered in any way, or if installation deviates from the instructions printed herein, and will not be covered under any warranty service agreement.

This Bloomfield Brewer has been designed with adjustment flexibility to cover a wide spectrum of customer needs.



# INSTALLATION INSTRUCTION

## READ THIS COMPLETELY BEFORE STARTING THE INSTALLATION

**WARNING: DO NOT plug in or energize this unit until installation instructions are read and followed.**

To enable the installer to make a quality installation and hold delay time to a minimum, the following suggestions and tests should be done before the actual unit installation is begun.

### LEVELING THE UNIT

Set Tea Brewer in operating location and level. For proper unit operation, it is very important that the unit be level when it is standing in its proper operation position. A spirit level should be placed on the top plate of the unit, at the edge, as a guide when making level adjustments. Level the unit from left to right and front to back by turning the adjustable feet that support the unit.

### PLUMBER'S INSTALLATION INSTRUCTION

**NOTE: This equipment must be installed to comply with the Basic Plumbing Code of the Building Officials and Code Administrators International, Inc (BOCA) and the Food Service Sanitation Manual of the Food and Drug Administration. (FDA)**

Flush water line before connecting to Brewer. Brewer should be connected to COLD WATER line

**NOTE: Bloomfield recommends 1/4" copper tubing for installation of less than 25 feet and 3/8" for more than 25 feet from the 1/2" water supply line.**

A water shut-off valve should be installed on the incoming water line in a convenient location.

Unit must be installed on a water line with a flowing pressure between 20 PSI and 90 PSI. If water pressure does not fall into this range or varies greatly, a pressure regulator should be installed in the water supply line.

Check the termination of the water line where the Brewer will stand. (The water line must terminate into a 1/4" flare fitting). Be sure to use pipe sealant (approved for potable water) on the male threads of the fitting to prevent water leak. Do not use the many varieties of liquid or pasted pipe dope, as it may leech out of the threads, pass into, and damage the unit.

Connect water line to 1/4" flare fitting on back of the unit. Turn on the water and check for leaks.

To delay build-up of lime deposits in water tank, we recommend the use of a Water Conditioner.

Filtration System may be required to delay lime deposits in water tank. Consult your Bloomfield Representative for information.

## ELECTRICIAN'S INSTALLATION INSTRUCTIONS

**WARNING:** Brewer must be properly grounded to prevent possible shock hazard. DO NOT assume a plumbing line will provide such a ground.

Unit requires a dedicated power source capable of supplying: 115 Volt, A.C., 60 Hertz, Single Phase 15 Amp. Service.

The unit is shipped from the factory with a 3-wire, 2-pole polarized power cord and cap attached.

**NOTE:** Make sure tank heater switch on front panel is in OFF position. Bottom portion of switch rocker should be pressed in. Failure to turn off the element will damage the element and void warranty.

Plug unit into 110–120 Volt grounded outlet, fused at 15 Amps.

## INITIAL OPERATING INSTRUCTIONS

**NOTE:** Operations should be performed by a qualified installer.

Electrician's and Plumber's Instructions should be followed carefully before proceeding with Initial Operating instructions.

Be sure all electrical and plumbing connections are tight.

Make sure Tank Heater Switch on Front Panel is still in OFF position.

Place empty dispenser under the Tea Brewer.

Press Brew Start Switch to initiate brewing cycle. This will energize the solenoid and will begin filling the tank. When the solenoid stops filling the tank and water does not begin to flow from the spray disc, press the Brew Switch again to continue filling the tank.

Press Brew Stop Switch when water begins to flow from spray disc.

Turn Tank Heater Switch to ON position. This will also activate bypass water valve.

Allow 30 minutes for initial water heat up. Time will vary with incoming water temperature.

When tank water is up to proper temperature, the green READY TO BREW light will be lit.

**NOTE:** During the initial heat-up, some water may drip from spray disc. This is normal.

Discard all water in dispenser.

Brewer is ready for use.

**NOTE:** Brewer is factory pre-adjusted for Three (3) Gallons of beverage.

## BREWING INSTRUCTIONS

Place filter paper in Brew Chamber and add tea. Slide Brew basket into rails, pushing it to full back stop location.

Contact your tea supplier for quantity required.

Press Brew Switch to initiate brewing cycle.

Make sure drip-out is complete before removing Brew Chamber.

If for any reason there is a need to stop the brewing cycle before its completion, press the "Brew Stop" switch. This stops water flow to the Brew Chamber. The timing cycle is also canceled and timer resets to start.

Check Volume. To change the volume quantity, see "Timer Adjustment Instructions" below.

## TIMER ADJUSTMENT INSTRUCTIONS

**NOTE:** Operations should be performed by a qualified installer.

This Brewer was Pre-Adjusted at Three (3) Gallons.  
Following to be done if it is necessary to adjust the timer to match dispenser size.

All operating controls are accessible to Front Panel only.

1. Unplug power at source.
2. Remove the Front Panel by removing four (4) #8 Screws.
3. Adjust the setting on the timer on the left side of the unit to match dispenser size. (See below for recommended dial setting)

**NOTE:** Some fine tuning maybe necessary.

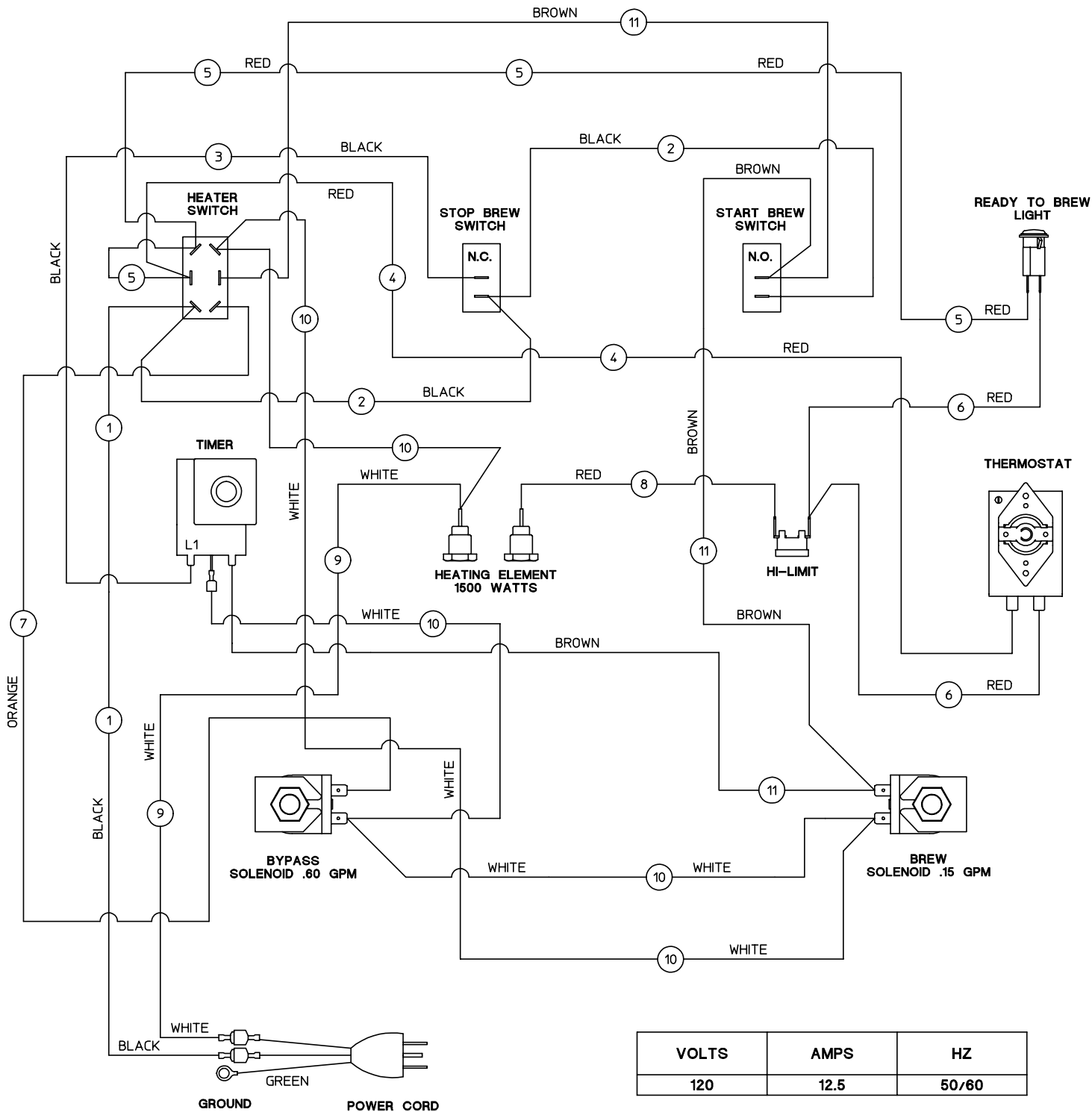
Recommended Timer Dial setting.

For water pressure of 30 psi:  
To brew 3 gallons: 4:30 min. (270 Seconds)  
To brew 5 gallons: 7:10 min. (430 Seconds)

For water pressure of 60 psi:  
To brew 3 gallons: 4:00 min. (240 Seconds)  
To brew 5 gallons: 6:40 min. (400 Seconds)

# WIRING DIAGRAM

(MODEL NO. 8357)

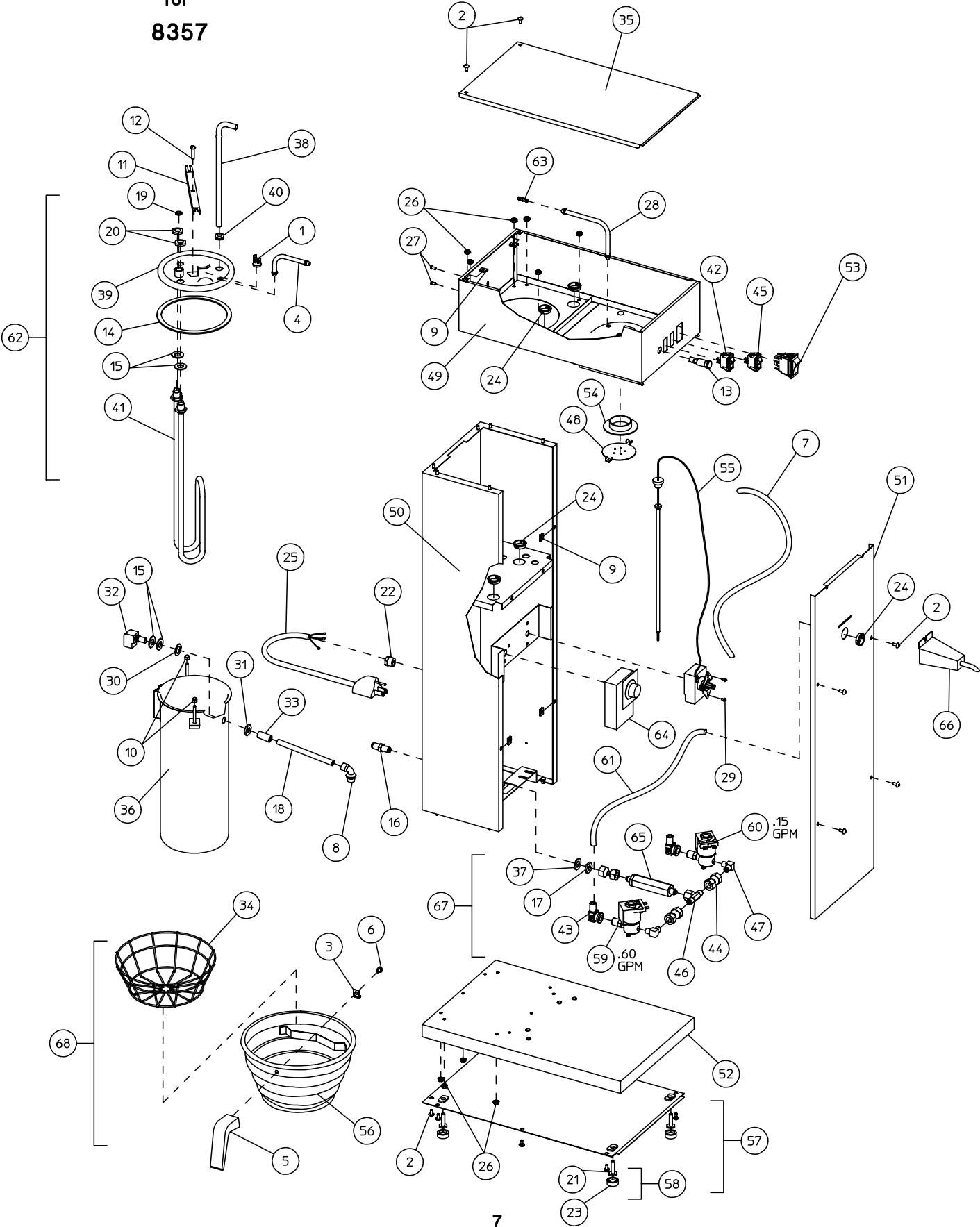


Model 8357 Tea Brewer 3 - 5 Gallon Reily's			
Item No	Part No	Description	Qty
1	2T-47499	THERMO HI-LIMIT 120/240V	1
2	2C-70092	SCREW 8BX3/8 PH PAN HD SM	14
3	2C-70467	CLIP BREW BASKET	1
4	2V-70102	TUBE VENT	1
5	2R-70112	HANDLE BLACK	1
6	2C-70115	SCREW 10-32X5/16 HEX HD	1
7	DD-72269	TUBE SIL .312 ID X 37	1
8	2K-70103	ELBOW OUTLET	1
9	2C-70132	NUT TNR ZI #8	14
10	2C-70133	NUT 8-32 HEX ACORN SS	2
11	2C-70134	STRAP HOLD DOWN ASSY	1
12	2C-70135	SCREW 10-32X1 PH PAN HD	1
13	2J-72671	LIGHT PILOT GREEN 125V	1
14	2I-70147	GASKET TANK COVER	1
15	2I-70152	GASKET-ELEM, HEATING	4
16	2K-70154	FTG UNION 1/4X1/4	1
17	2C-70155	NUT 7/16-20 HEX HD BRASS	1
18	2V-70131	TUBE OUTLET WATER 4 3/4"L	1
19	2C-70174	WASHER THERMO SEAL .465OD	1
20	2C-70175	NUT 1/2-20 HEX HD BRASS	2
21	2A-71732	LEG ASSY LEVELING	4
22	2K-70215	STRAIN RELIEF STR	1
23	2A-71732	LEG ASSY LEVELING	4
24	2K-70229	BUSHING SHORTY	5
25	2E-70353	CORD CAP ASSY 120V 15A	1
26	2C-73457	NUT 8-32 HEX HEAD KEPS MS	12
27	2C-70379	SCREW 8-32 X 5/16 PH PAN MS	2
28	2V-70398	TUBE VENT LONG	1
29	2C-70405	SCREW 6-32X1/4 PH RD HD	2
30	F4-70409	WASHER BEVELLED	1
31	2C-70410	NUT 1/2-24HEX HD BRS/BRIT	1
32	WS-8812-41	OUTLET ELBOW ASSY TEA BREWER	1
33	WS-8812-49	TUBE CONNECTION 1"	1
34	2B-70466	RACK WIRE BREW CHAMBER	1
35	F4-70417	COVER BASIN TEA BREWER	1
36	F4-70415	TANK ASSY TEA BREWER 35G	1
37	2C-70512	WASHER SS .035X7/16IDX3/4	1
38	2V-73034	TUBE FILL 90°DEG BEND	1
39	DD-72665	COVER WELDED TANK ASSY 8357	1
40	2I-72390	GROMMET .375ID TRNSLUCENT	1
41	2N-70143UL	ELEM HEATING 120V 1500W	1
42	2E-70733	SWITCH ROCKER BREW START	1
43	DD-71099	ELBOW 1/4 FPT/HOSE	2
44	2K-71165	COUPLING FLARE SWIVEL CON	3
45	2E-71259	SWITCH NORN ON-MOMENT OFF	1
46	DD-71355	TEE 1/4" 3FL M-M/F	1

Model 8357 Tea Brewer 3 - 5 Gallon Reily's			
Item No	Part No	Description	Qty
47	WS-8781-32	ELBOW 1/8MPT X 1/4FL	2
48	F4-72186	SPRAY HEAD DISC EXTRUDED	1
49	DD-72937	BASIN WRAP 8357	1
50	DD-72939	BODY WLD ASSY 8357	1
51	DD-72952	PANEL FRONT 8357	1
52	DD-72944	BASE WLD ASSY 8357	1
53	2E-72214	SWITCH TANK HTR INDP LAMP	1
54	2I-72215	GASKET SPRAY HEAD 1.5ID	1
55	DD-72216	THERMO W/36 CAPILLARY	1
56	2D-71338	CHAMBER BREW DIMPLE	1
57	67-70433	PANEL BTM ASSY C/T & T-BRER	1
58	2A-71732	LEG ASSY LEVELING	1
59	2V-72223	VALVE SOLENOID 120V .6GP	1
60	2V-72224	VALVE SOLENOID 120V .15GP	1
61	A6-72661	TUBE SIL .312 ID X 27	1
62	DD-72951	TANK COVER ASSY 8357	1
63	2K-72241	FTG HOSE CONNECT STRAIGHT	1
64	2P-70431	TIMER 8-MIN 120V	1
65	DD-72245	STRAINER WATER NSF	1
66	DD-72941	SPOUT WATER ASSY 8357	1
67	WS-82225	PLUMBING ASSY BLT36	1
68	D7-71337	CHAMBER BREW ASSY	1
NI	DD-8799HLZ	DISPENSER 3G W/HDLS LUZ 2GA	-
NI	DD-82198	FILTER W/SHUTOFF HD QC7-MH	-
NI	DD-82199	HEAD SHUTOFF QC4-BH HD ONLY	-

# EXPLODED VIEW

for  
8357



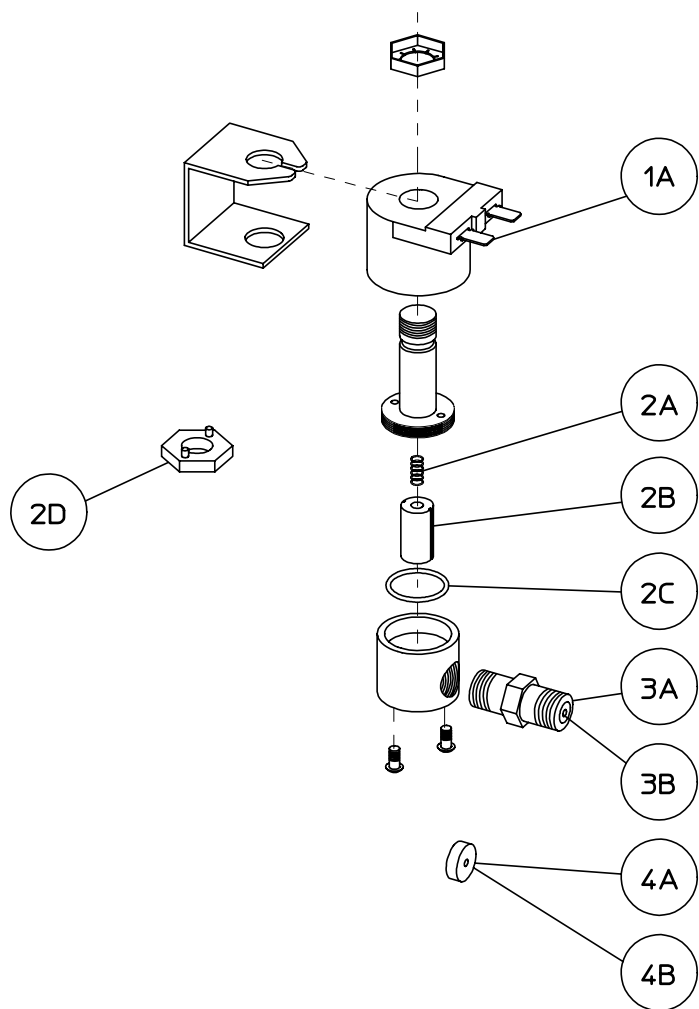


## ADDITIONAL SERVICE INFORMATION

### (COLD WATER ENTRANCE SOLENOID VALVE)

Part no. 82223 w/.60 GPM & Part no. 82224 w/.15 GPM

#### REPLACEMENT COMPONENTS



(1)	8541-120CS	(1A) Coil Assembly - 120V
(2)	8541-120K	Solenoid Repair Kit Vacuum Pac consists of: (2A) Spring (2B) Plunger (2C) Seal Ring
(3)	8541-120JS	Solenoid Repair Kit Vacuum Pac consists of: (2A) Spring (2B) Plunger (2C) Seal Ring (2D) Service Wrench
(4)	8541-126	Solenoid Overhaul Kit Vacuum Pac consists of: (2A) Spring (2B) Plunger (2C) Seal Ring (2D) Service Wrench (3A) Flow Control .60 gpm
(5)	8541-115	Solenoid Overhaul Kit Vacuum Pac consists of: (2A) Spring (2B) Plunger (2C) Seal Ring (2D) Service Wrench (3B) Flow Control .15 gpm
(6)	82223A	(4A) Flow Washer .60 gpm
(7)	82224A	(4B) Flow Washer .15 gpm
(8)	8541-120WS	(2D) Service Wrench

#### KIT INSTALLATION INSTRUCTION:

1. Unscrew Nut (A) and set aside for later installation.
2. Lift Bracket (B) up along with Coil (C) and set aside for later installation.
3. Unscrew Part (D) by first placing a service wrench (2D) on part (D).  
(Make sure service wrench mounts into both holes (E)).  
Set aside for later installation.
4. Refer to Diagram for Kit Part replacement.
5. Reassemble all parts as required.
6. Reinstall in Machine (Check direction of water flow) and check for leaks.

## ORDERING/SERVICE PROCEDURE

Use only genuine Bloomfield replacement parts in this Brewer. The use of replacement parts other than those supplied by Bloomfield voids the warranty.

To find the parts required to restore proper operation to the Tea Brewer, proceed as follows:

1. Refer to the exploded view located in this chapter to identify the parts needed.
2. Use the item number from the exploded view to locate the corresponding parts in the parts identification and function of this chapter.

Ordering Information – Once the parts needed are known, record the following information from the identification section:

Part Number	Description	Quantity
-------------	-------------	----------

How to order – for immediate shipment, call your local authorized BLOOMFIELD Parts Distributor.

Service Information – To obtain service assistance in addition to that contained in this chapter, call BLOOMFIELD at (702) 345-0444

Be prepared to give the model and serial numbers of your Brewer, as well as the problem to the service technician when calling for assistance.

## **WARRANTY**

For a period of one (1) year from date of installation, all defective parts on Bloomfield equipment will be replaced free of charge, with exception that parts that become defective through accident, neglect, improper installation, mishandling or damage in transit, or component damage caused by water supply systems pressure and scale build up in water system.

### **BREWER WARRANTY IS VOID IF:**

Other than genuine Bloomfield replacement parts are used.

Brewer is plugged into voltage other than specified on serial plate.

Tank Heating Element is energized before water tank is filled.

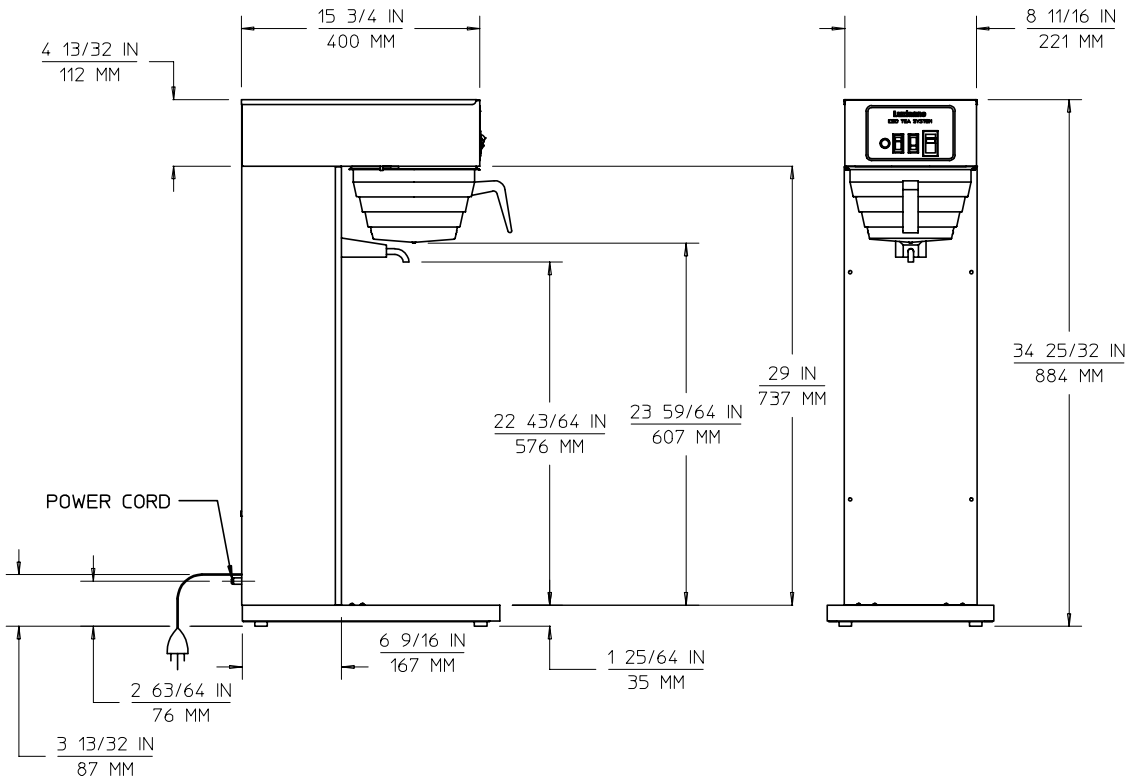
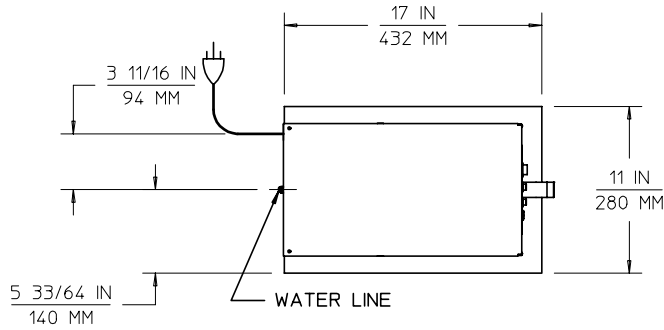
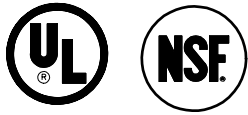
Recommended installation or servicing procedures are not followed.

Setting of circuit breakers, calibration of thermostats & timers are not covered by warranty.

GENERAL LAYOUT DATA

BLOOMFIELD 3 TO 5 GALLON TEA BREWER

MODEL: 8357



ELECTRICAL SPECIFICATIONS

MODEL	WATTS	VOLTS	HZ	AMPS SINGLE PHASE
8357	1500	120	50/60	12.5

POWER SUPPLY CORD  
(PLUG CONFIGURATION)



120 VOLT, 2 POLE 3 WIRE  
NEMA 5-15P HUBBELL 5264