

BLOOMFIELD® Industries

2 ERIK CIRCLE, P.O.Box 280

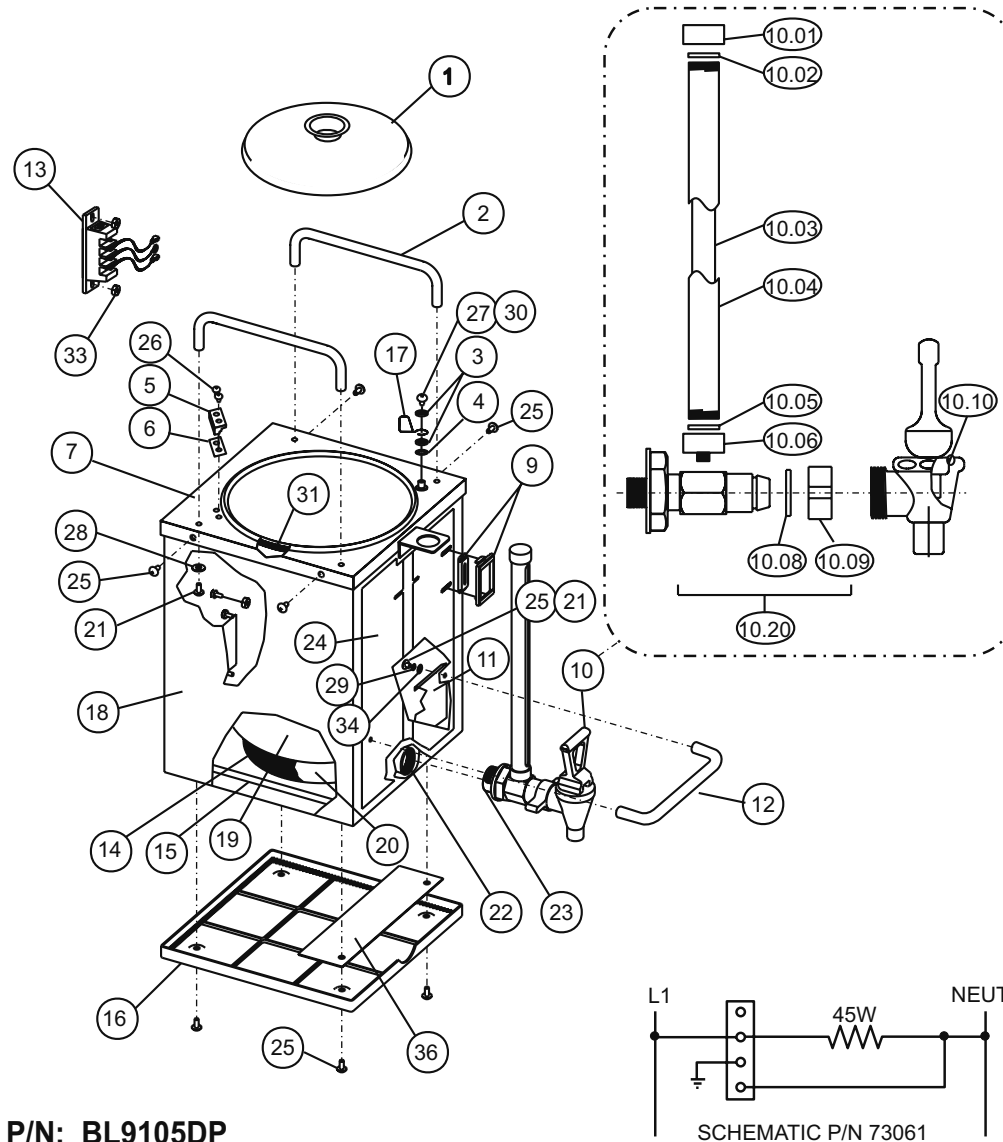
Verdi, Nevada 89439

telephone (775) 345-0444 Ext 504

fax: (888) 492-2783

e-mail: service@wellsbloomfield.com

SATELLITE ASSEMBLY 9105DP 120V



ITEM	PART NO.	DESCRIPTION	QTY
1	9105-2	COVER ASSY, SATELLITE	1
2	83099	HANDLE, SATELLITE TOP 9105DP	2
3	8705-1	SPACER SAT TANK COVER SET	2
4		WASHER FLAT .328 ID .562 OD	1
5	8705-6	BLOCK LOCATING	1
6	8705-7	SEAL, LOCATING BLOCK	1
7		CAP, WELDED ASSEMBLY	1
9	83092	DOOR, DECAF & FRAME	1
10	83112	FAUCET w/SIGHT GLASS, 10"	1
10.01	860-17	SHIELD CAP	1
10.02	8700-25 J	CAP WASHER	1
10.03	8705-11 C	SIGHT GLASS	1
10.04	8600-20	SHIELD ASSY	1
10.05	8705-11 B	BASE WASHER	1
10.06	8705.11 G	SHIELD BASE	1
10.08	8600-26	C-RING	1
10.09	8600-27	WING NUT	1
10.10	8700-25 L	SEAT CUP	1
10.20	8705-11 D	SHANK ASSY	1
11		BRACKET, SATELLITE HANDLE	1
12	83095	HANDLE GUARD, FAUCET	1
13	83895	RECEPTICAL, WIRED ASSY	1
14	83114	ELEMENT, HEATER, 45W	1
15	83117	TANK INSULATION	1
16	83057	BASE, POLYPROPYLENE	1
17	8705-5	RETAINER, TANK COVER PLTD	1
18		WELDEMENT, SATELLITE BODY	1
19		TANK SUB ASSY w/FITTINGS	1
20		TAPE, GLASS CLOTH	.33
21		LOCTITE, RED	A/R
22	8705-26	SEAL, DRAIN FITTING	2
23		TAPE, TEFLON	1.74
24		LABEL, SATELLITE	1
25		SCREW, PAN PHL 8-32x1/2"	10
26		SCREW TRS #8-32 x 5/8	2
27	D0002-3	SCREW, TRS PHL SS 10-32x3/8"	5
28		WASHER EX SEMS #10	4
29		WASHER EX SEMS #8	2
30		LOCTITE BLUE	A/R
31	8705-33	O-RING	1
33	8942-92	NUT, KEP SS 8-32	3
34		WASHER, FLAT 7/32 x 1-1/8	2
35	83132	LABEL, CAUTION "DO NOT IMMERSE..."	1
36		PLATE STIFFENER	1

P/N: BL9105DP