



WELLS BLOOMFIELD
division of Carrier Commercial Refrigeration, Inc.
2 ERIK CIRCLE, P. O. Box 280 Verdi, NV 89439
telephone: 888-492-2782
fax: 888-492-2783
www.wellsbloomfield.com

707

PARTS LIST

SERVICE PARTS LIST PL707

WATER-MAX II HOT WATER DISPENSER

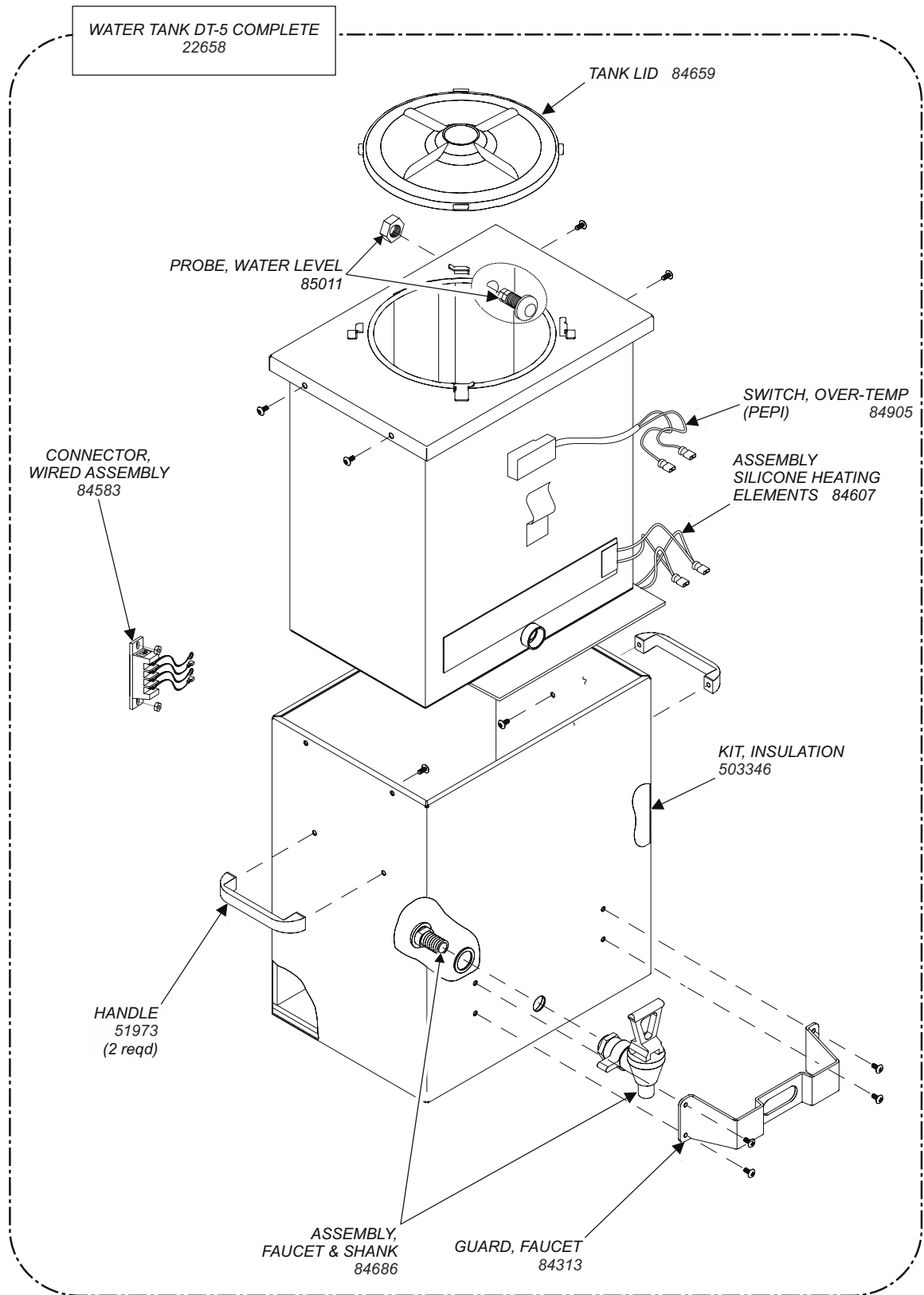
WM-TR II

CONTENTS

Description	page
Parts List	2
Satellite Tank DT-5	3
WM-TRII Cabinet	4
WM-TRII Internal Assembly	5

WM-TRII Water-Max II Hot Water Dispenser

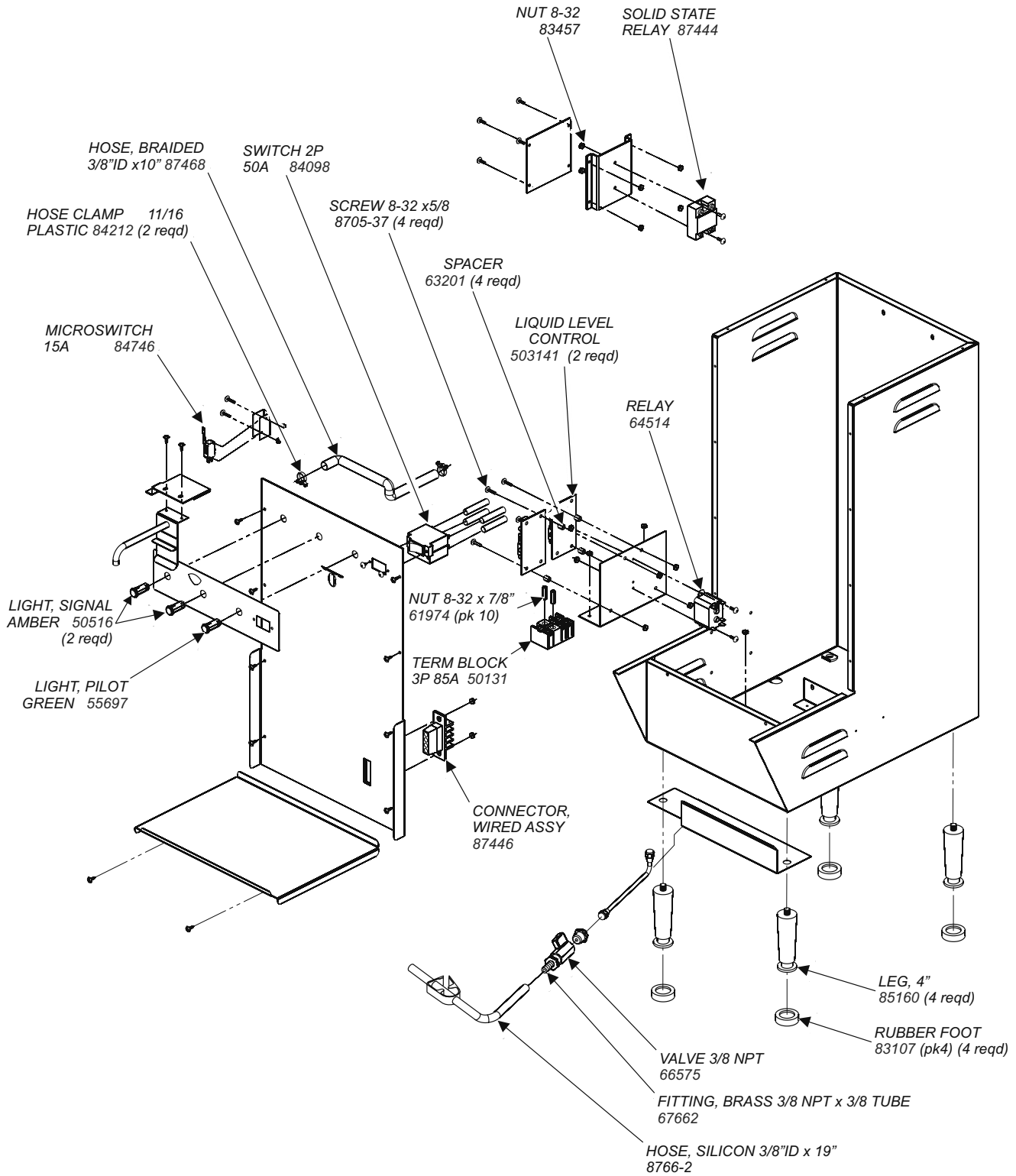
5-GALLON SATELLITE WATER TANK DT-5



PL707 Water-MaxII Hot Water Dispenser

WM-TRII Water-Max II Hot Water Dispenser

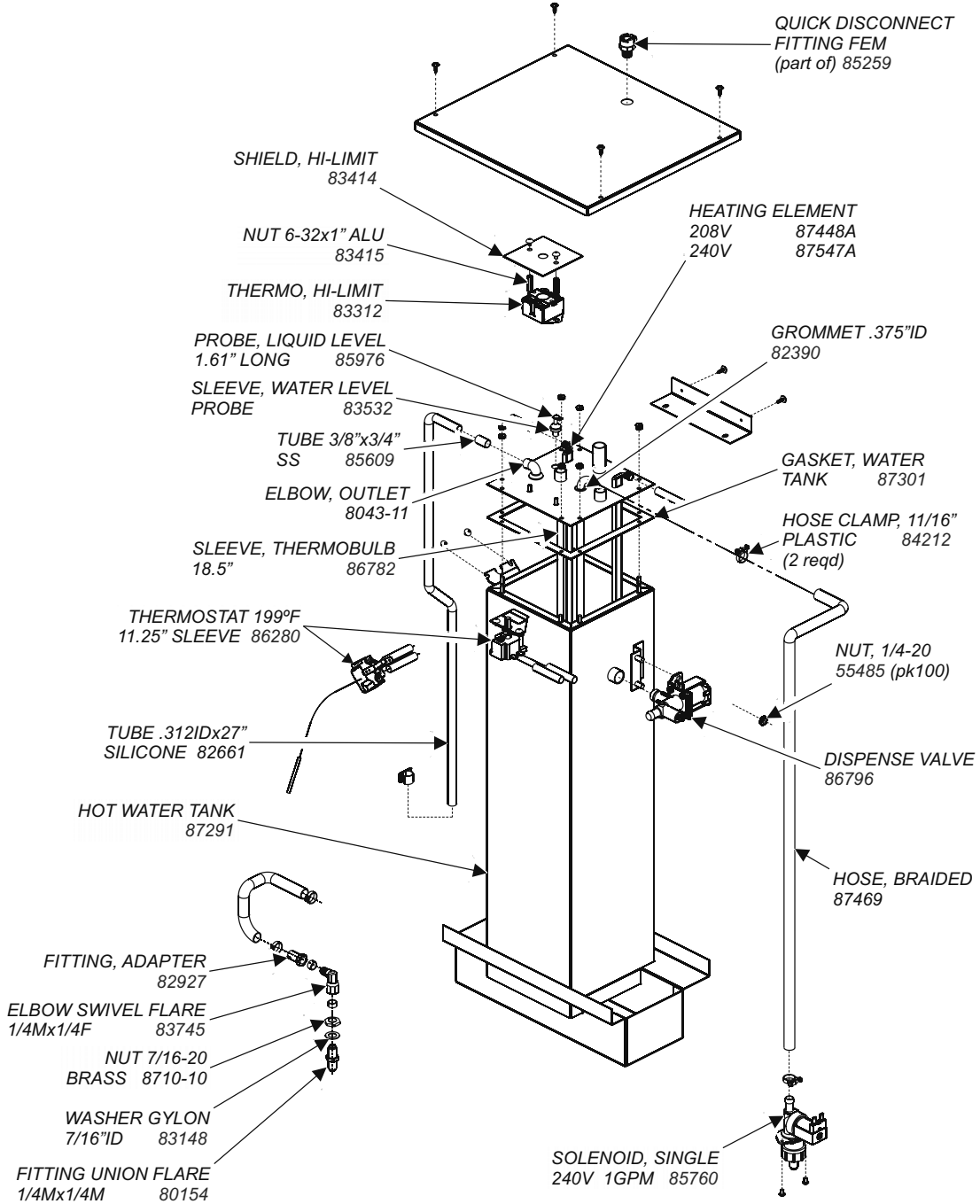
CABINET & CABINET-MOUNTED ELECTRICAL COMPONENTS



PL707 Water-MaxII Hot Water Dispenser

WM-TRII Water-Max II Hot Water Dispenser

INTERNAL COMPONENTS



PL707 Water-MaxII Hot Water Dispenser



*Wells Manufacturing proudly supports CFESA
Commercial Food Equipment Service Association*

SERVICE TRAINING - QUALITY SERVICE



CUSTOMER SATISFACTION



WELLS

WELLS BLOOMFIELD
division of Carrier Commercial Refrigeration, Inc.
2 ERIK CIRCLE, P. O. Box 280 Verdi, NV 89439
telephone: 888-492-2782
fax: 888-492-2783
www.wellsbloomfield.com

PRINTED IN UNITED STATES OF AMERICA