

BUNN®

A10 & A10-A



ILLUSTRATED PARTS CATALOG

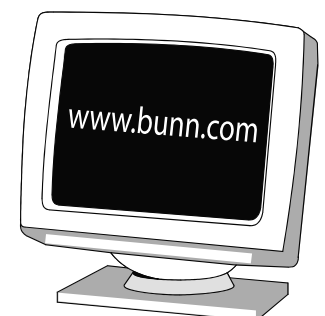
Designs, materials, weights, specifications, and dimensions for equipment or replacement parts are subject to change without notice.

BUNN-O-MATIC CORPORATION

POST OFFICE BOX 3227

SPRINGFIELD, ILLINOIS 62708-3227

PHONE: (217) 529-6601 FAX: (217) 529-6644



BUNN-O-MATIC COMMERCIAL PRODUCT WARRANTY

Bunn-O-Matic Corp. ("BUNN") warrants equipment manufactured by it as follows:

- 1) Airpots, thermal carafes, decanters, GPR servers, iced tea/coffee dispensers, MCR/MCP/MCA single cup brewers, thermal servers and ThermoFresh® servers (mechanical and digital) 1 year parts and 1 year labor.
- 2) All other equipment - 2 years parts and 1 year labor plus added warranties as specified below:
 - a) Electronic circuit and/or control boards - parts and labor for 3 years.
 - b) Compressors on refrigeration equipment - 5 years parts and 1 year labor.
 - c) Grinding burrs on coffee grinding equipment to grind coffee to meet original factory screen sieve analysis - parts and labor for 4 years or 40,000 pounds of coffee, whichever comes first.

These warranty periods run from the date of installation BUNN warrants that the equipment manufactured by it will be commercially free of defects in material and workmanship existing at the time of manufacture and appearing within the applicable warranty period. This warranty does not apply to any equipment, component or part that was not manufactured by BUNN or that, in BUNN's judgment, has been affected by misuse, neglect, alteration, improper installation or operation, improper maintenance or repair, non periodic cleaning and descaling, equipment failures related to poor water quality, damage or casualty. In addition, the warranty does not apply to replacement of items subject to normal use including but not limited to user replaceable parts such as seals and gaskets. This warranty is conditioned on the Buyer 1) giving BUNN prompt notice of any claim to be made under this warranty by telephone at (217) 529-6601 or by writing to Post Office Box 3227, Springfield, Illinois 62708-3227; 2) if requested by BUNN, shipping the defective equipment prepaid to an authorized BUNN service location; and 3) receiving prior authorization from BUNN that the defective equipment is under warranty.

THE FOREGOING WARRANTY IS EXCLUSIVE AND IS IN LIEU OF ANY OTHER WARRANTY, WRITTEN OR ORAL, EXPRESS OR IMPLIED, INCLUDING, BUT NOT LIMITED TO, ANY IMPLIED WARRANTY OF EITHER MERCHANTABILITY OR FITNESS FOR A PARTICULAR PURPOSE. The agents, dealers or employees of BUNN are not authorized to make modifications to this warranty or to make additional warranties that are binding on BUNN. Accordingly, statements by such individuals, whether oral or written, do not constitute warranties and should not be relied upon.

If BUNN determines in its sole discretion that the equipment does not conform to the warranty, BUNN, at its exclusive option while the equipment is under warranty, shall either 1) provide at no charge replacement parts and/or labor (during the applicable parts and labor warranty periods specified above) to repair the defective components, provided that this repair is done by a BUNN Authorized Service Representative; or 2) shall replace the equipment or refund the purchase price for the equipment.

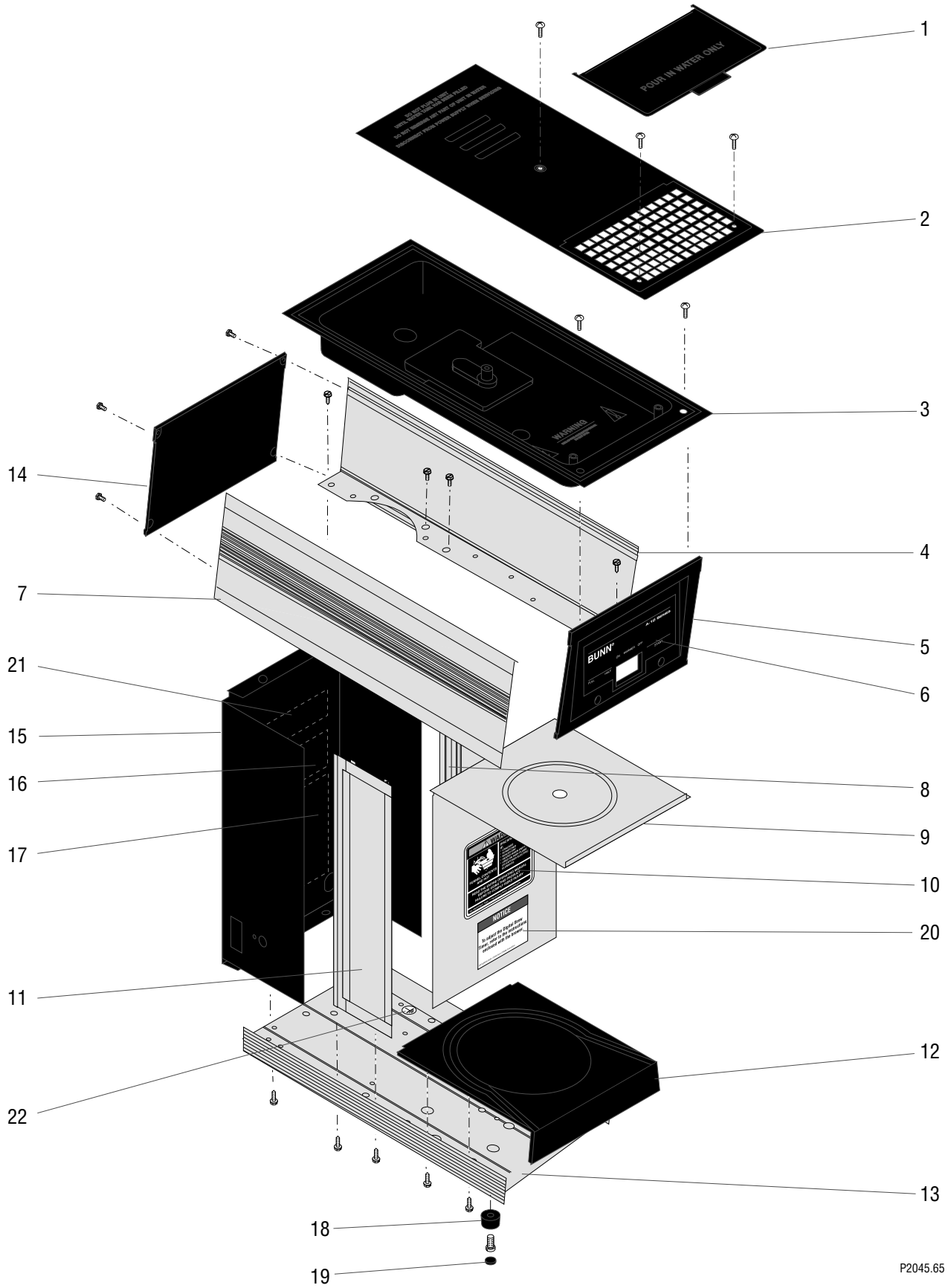
THE BUYER'S REMEDY AGAINST BUNN FOR THE BREACH OF ANY OBLIGATION ARISING OUT OF THE SALE OF THIS EQUIPMENT, WHETHER DERIVED FROM WARRANTY OR OTHERWISE, SHALL BE LIMITED, AT BUNN'S SOLE OPTION AS SPECIFIED HEREIN, TO REPAIR, REPLACEMENT OR REFUND.

In no event shall BUNN be liable for any other damage or loss, including, but not limited to, lost profits, lost sales, loss of use of equipment, claims of Buyer's customers, cost of capital, cost of down time, cost of substitute equipment, facilities or services, or any other special, incidental or consequential damages.

392, A Partner You Can Count On, Air Infusion, AutoPOD, AXIOM, BrewLOGIC, BrewMETER, Brew Better Not Bitter, BrewWISE, BrewWIZARD, BUNN Espresso, BUNN Family Gourmet, BUNN Gourmet, BUNN Pour-O-Matic, BUNN, BUNN with the stylized red line, BUNNlink, Bunn-O-Matic, Bunn-O-Matic, BUNNserve, BUNNSERVE with the stylized wrench design, Cool Froth, DBC, Dr. Brew stylized Dr. design, Dual, Easy Pour, EasyClear, EasyGard, FlavorGard, Gourmet Ice, Gourmet Juice, High Intensity, iMIX, Infusion Series, Intellisteam, My Café, Phase Brew, PowerLogic, Quality Beverage Equipment Worldwide, Respect Earth, Respect Earth with the stylized leaf and coffee cherry design, Safety-Fresh, savemycoffee.com, Scale-Pro, Silver Series, Single, Smart Funnel, Smart Hopper, SmartWAVE, Soft Heat, SplashGard, The Mark of Quality in Beverage Equipment Worldwide, ThermoFresh, Titan, trifacta, TRIFECTA (stylized logo), Velocity Brew, Air Brew, Beverage Bar Creator, Beverage Profit Calculator, Brew better, not bitter., Build-A-Drink, BUNNSource, Coffee At Its Best, Cyclonic Heating System, Daypart, Digital Brewer Control, Element, Milk Texturing Fusion, Nothing Brews Like a BUNN, Picture Prompted Cleaning, Pouring Profits, Signature Series, Sure Tamp, Tea At Its Best, The Horizontal Red Line, Ultra are either trademarks or registered trademarks of Bunn-O-Matic Corporation. The commercial trifacta® brewer housing configuration is a trademark of Bunn-O-Matic Corporation.

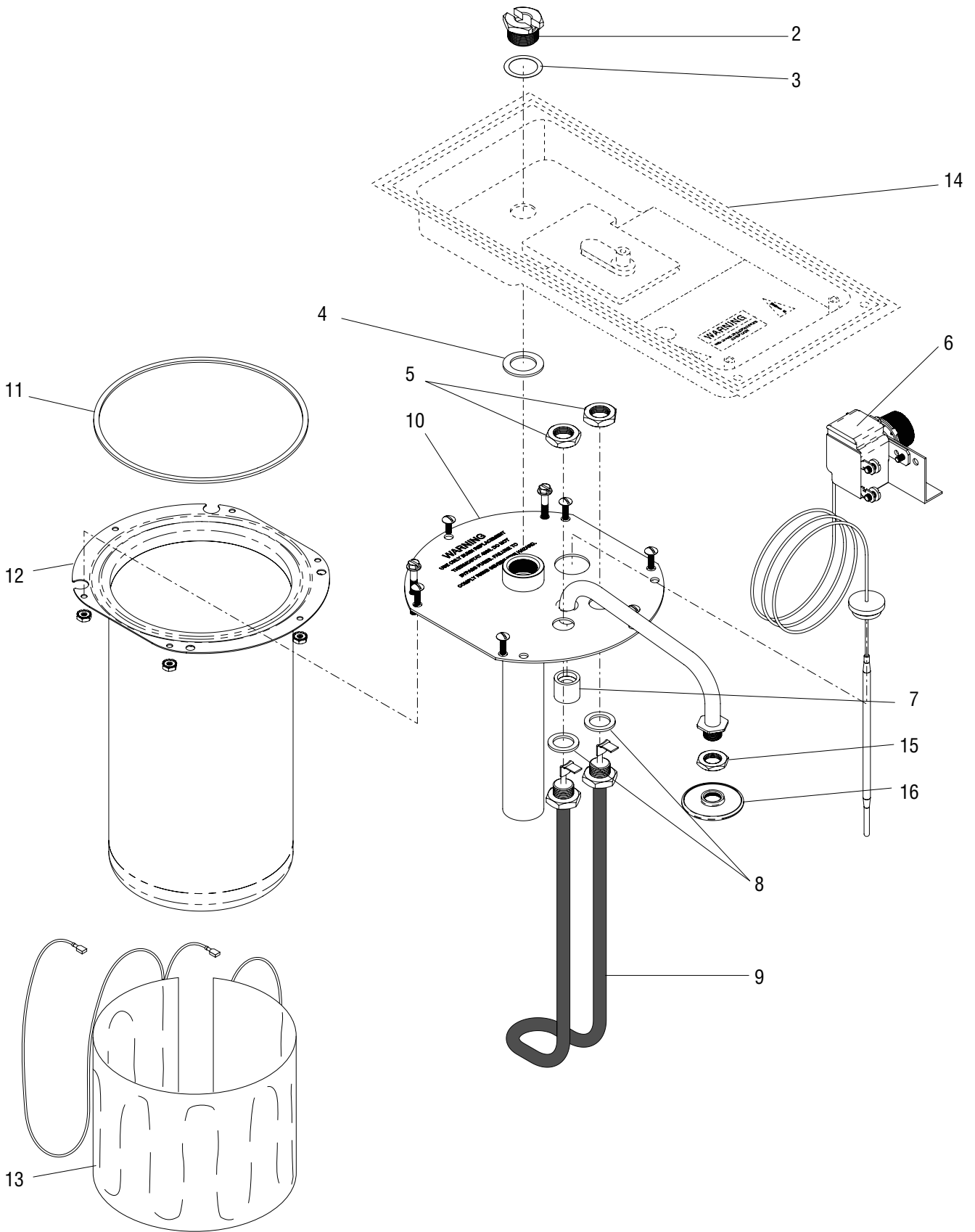
TABLE OF CONTENTS

TITLE	PAGE NO.
Electrical & Operating Controls	11
Housing & Covers	5
Numerical Index	14
Strainer/Flow Control & Tubing	9
Tank & Basin	7
Warmer Assembly & Funnel	13



HOUSING AND COVERS

ITEM	PART NO.	QTY	DESCRIPTION
1	04124.0001	1	Lid, Flip - Black
2	04123.0001	1	Cover, Top - Black
	01364.0000	3	Screw, PNH-Plasscrew - #6 x .38"
3	04097.0001	1	Basin, Pour-In-Black (Pourover only)
	04097.0002	1	Basin, Pour-In - Black (Automatic only)
	44646.0002	2	Screw, PNH - PHH - #6 x 19-.375"
4	04062.0000	1	Panel, Hood, Right (Silver)
	01351.0000	4	Screw, Hex Wshr Zinc #8 x.75" - AB
5	21327.0000	1	Front End Cap, Blk (Pourover)
	21327.0001	1	Front End Cap, Blk (Automatic)
	01342.0000	2	Screw, Hex Wshr Zinc. #8 x.75"
6	21139.0000	1	Decal, Cont. Panel (Black) (Pourover)
	21139.0002	1	Decal, Cont. Panel (Blk - 1/2 Batch)(Automatic)
7	04063.0000	1	Panel, Hood Left (Silver)
	01351.0000	4	Screw, Hex Wshr Zinc #8 x .75"-AB
8	04064.0000	1	Panel, Trunk, Right (Silver)
9	21903.0000	1	Panel - Sprayhead/Trunk (Includes Item 10)
10	00658.0000	1	Decal, Warning - Decanter/Funnel
11	04065.0000	1	Panel, Trunk, Left (Silver)
12	04021.0002	1	Base Frame, Warmer - Black
	01350.0000	4	Screw, Hex Wshr HDSLTD - PL #8 x .50"
13	04060.0000	1	Panel, Base (Silver)
	01351.0000	4	Screw, Hex Wshr Zinc #8 x.75"-AB
14	04016.0001	1	Cover, Hood Rear - Black
	01383.0000	4	Screw, PH PNH Zinc 6-32 x .50"
15	21901.0000	1	Housing, Trunk - Blk (Pourover 120 V)(Includes Item 17)
	21901.0001	1	Housing, Trunk - Blk (Pourover 240 V)(Includes Item 17)
	21902.0000	1	Housing, Trunk - Blk (Automatic 120 V)(Includes Item 16 & 17)
	21902.0001	1	Housing, Trunk - Blk (Automatic 240 V)(Includes Item 16 & 17)
	01315.0000	2	Screw, TRH SLTD SST #8-32 x .38"
	00938.0000	2	Fastener, U-Type SST #8-32
	01342.0000	2	Screw, Hex Wshr Zinc #8 x .75"
16	00656.0000	1	Decal, Comply to Plumbing Code (Automatic Only)
17	00831.0000	1	Decal, Warning - Electrical
18	04002.1000	4	Foot (1)
	04002.1001	1	Foot (Set of 4)
	01383.0000	4	Screw, PH PNH Zinc #6-32 x .50"
19	03990.0000	4	Plug, Foot-Rubber
20	33218.0000	1	Decal, Notice - Digital Timer Adjustment (Automatic Only)
21	37881.0002	1	Decal, No Service Parts
22	00824.0002	1	Decal, Ground



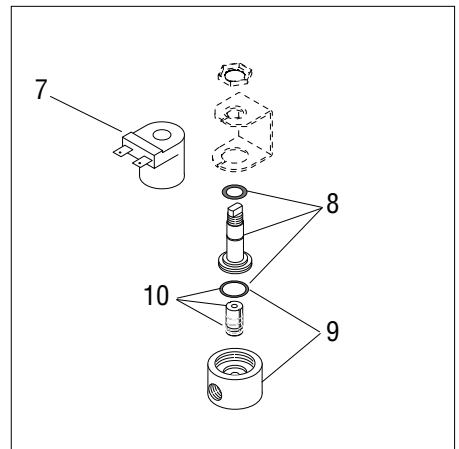
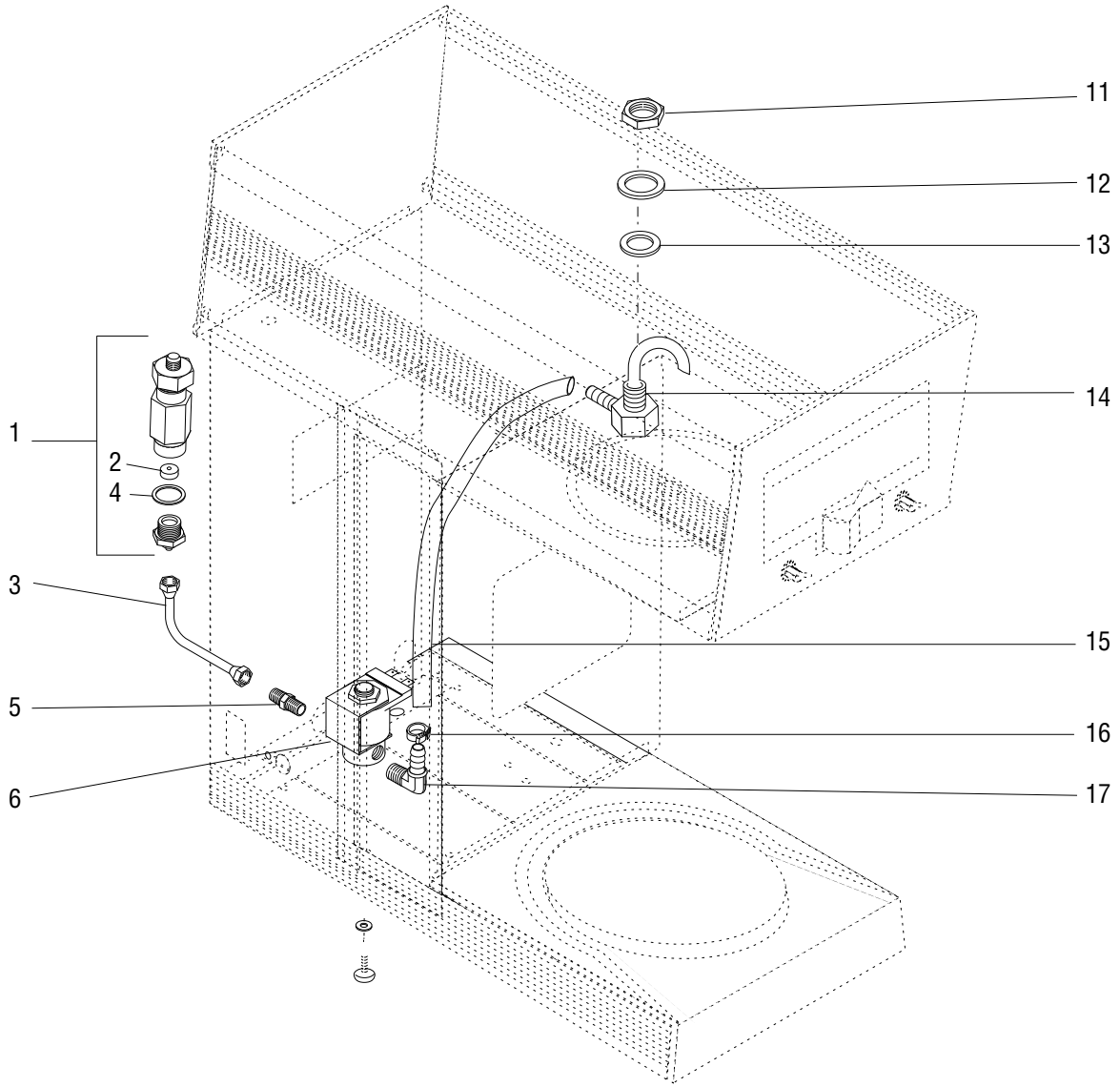
TANK AND BASIN

ITEM	PART NO.	QTY	DESCRIPTION
1	04140.0000	1	Tank Assembly 120 V (Includes Items 2-15)
2	01200.0000	1	Fitting, Tank Inlet .562" Opening
	01212.0000	1	Fitting, Tank Inlet .382" Opening
3	01540.0000	1	Washer, SST - .75" ID x 1.0" OD
4	01201.0000	1	Gasket, Tank Inlet
5	00942.0000	2	Nut, Hex - Brass .5"-20
6	-----	1	Thermostat (Refer to Electrical Section)
7	05518.0000	1	Syphon Hub
8	00943.0000	2	Gasket, Tank Heater
9	04144.1000	1	Tank Heater, 1000W 120 V (Includes Item #8)
	04174.1000	1	Tank Heater, 1000W 240 V (Includes Item #8)
10	04142.0001	1	Tank Lid Weldment W/Spray Tube
	01380.0000	4	Screw, TRH SLTD SST #6-32 x .5"
	01382.0000	2	Screw, Trh Sltd Sst #6-32 x .375"
	00973.0000	6	Nut, Keps #6-32 Zinc Pl.
	01352.0000	2	Screw, Hex Wshr Zinc #8-32 x 1.375"
11	04844.0000	1	Gasket, Tank Lid
12	35430.0000	1	Tank, SST
13	04100.0000	1	Blanket Warmer, 40W 120 V (Models with large Vacation Switch)
	33605.0000	1	Blanket Warmer, 40W 120 V (Models with small Vacation Switch)
	01929.0000	1	Blanket Warmer, 34W 240 V
14	-----	1	Basin, Pour-in - See HOUSING AND COVERS
15	01075.0000	1	Nut, Hex
16	01082.0004	1	Sprayhead, 5-Hole, SST

The Following Items Are Not Illustrated

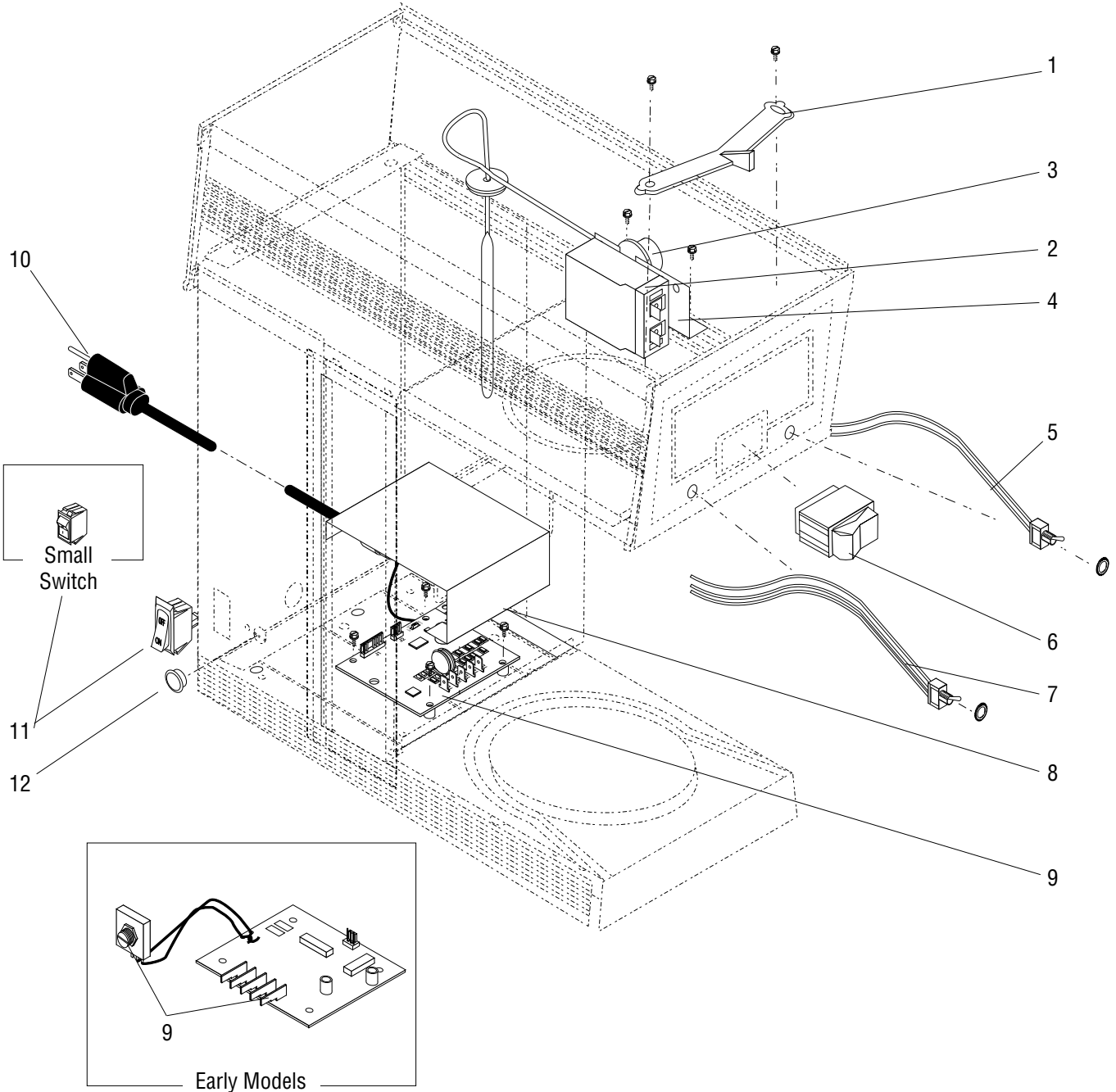
17	28235.0001	1	Wiring Harnes, TCO - Thermostat
18	04167.0000	1	Thermal Cut-Off W/Lead 120 V
	04167.0001	1	Thermal Cut-Off W/Lead 240 V

A-10 AUTOMATIC ONLY



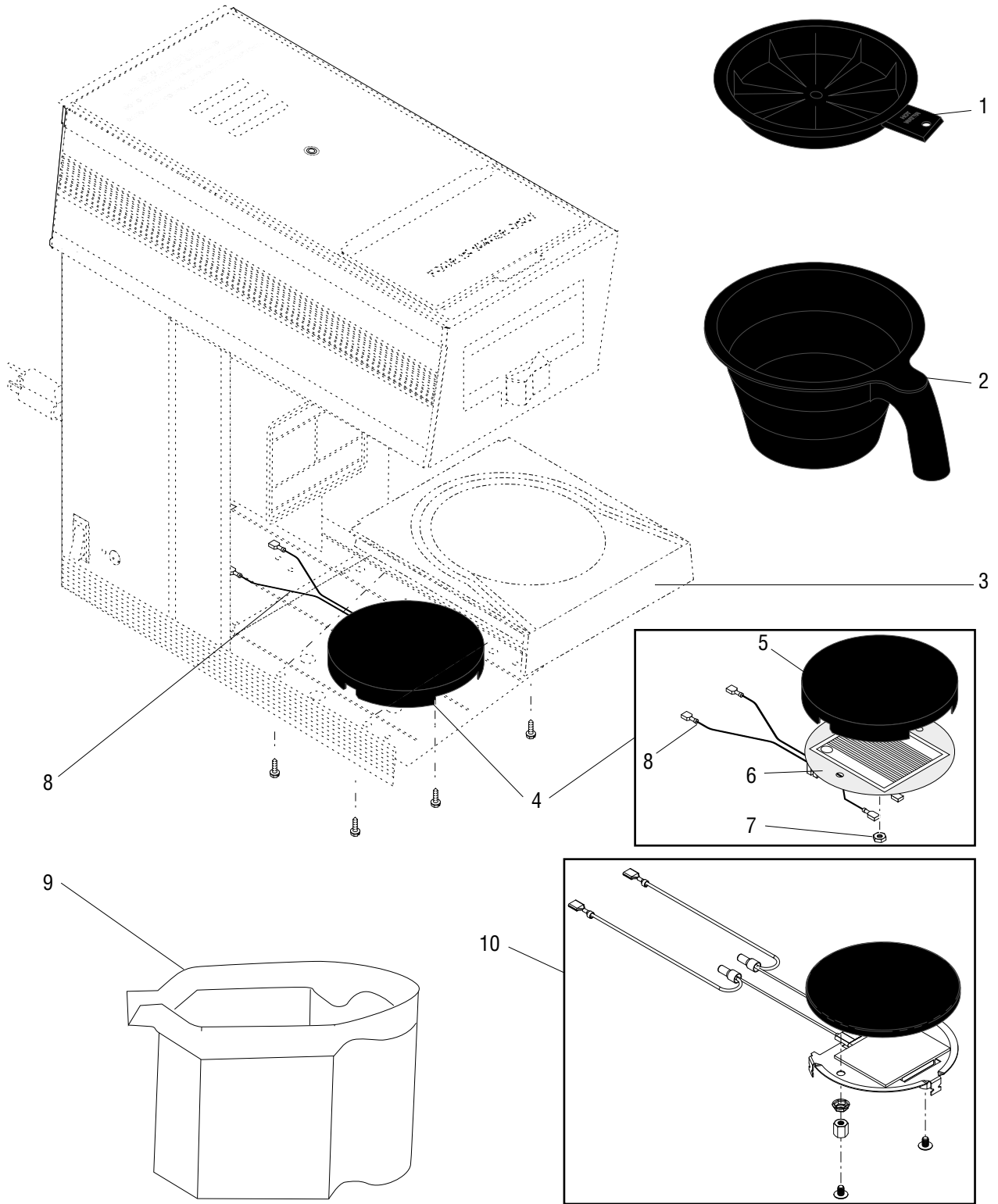
STRAINER/FLOW CONTROL & TUBING

ITEM	PART NO.	QTY.	DESCRIPTION
1	01148.0001	1	Flow Control/Strainer (.222 gpm)(Includes Items 2 & 4)
2	20526.1222	1	Flow Washer (.222 gpm)
3	00310.0000	1	Tube Assy, Flow Control/Strainer to Solenoid
4	01155.0000	1	Gasket
5	00402.0001	1	Connector, Male (Flow Control/Strainer to Solenoid)
6	01085.0002	1	Valve, Solenoid 120 V (Includes Items 7-10)
	01975.0000	1	Valve, Solenoid 240 V
	01327.0000	2	Screw, PNH SLTD SST #10-32
	01502.0000	2	Lock Washer #10
7	28480.0000	1	Solenoid Coil, 120 V
	01100.0000	1	Solenoid Coil, 240 V
8	28481.0000	1	Guide Kit, 120 V (Includes Washer & O-ring)
9	28479.0000	1	Base Kit, 120 V (Includes O-ring)
	01079.0000	1	Base 240 V
10	01111.0002	1	Solenoid Valve Repair Kit - 120 V
11	00942.0000	1	Nut, Hex - Brass
12	01544.0000	1	Washer, .50" ID x .75" OD
13	00943.0000	1	Gasket
14	21214.0000	1	Tube Assy, Fill Basin
15	11707.1001	1	Tube, Silicone .250" ID X 36.0" LG (Cut to 16")
16	12422.0000	1	Clamp, Hose - Snap-Type
17	00464.0001	1	Elbow, Male (Solenoid to Fill Basin Tube)



ELECTRICAL AND OPERATING CONTROLS

ITEM	PART NO.	QTY.	DESCRIPTION
1	04052.0000	1	Bracket, Switch Retainer
	01342.0000	2	Screw, Hex Wshr Zinc #8 x .75"
2	04069.0003	1	Thermostat Assy (Includes Items 3 and 4)
	01342.0000	2	Screw, Hex Wshr Zinc #8 x .75"
	07073.1000	1	Grommet Kit
3	00720.0000	1	Knob, Thermostat - Black
4	28223.0000	1	Bracket, Thermostat
	02328.0003	2	Screw, PNH SLT SST #6-32 x .312"
5	21274.0000	1	Switch Assy, Start (Automatic Only)
	21212.0000	1	Nut, Knurled .250-40
6	04067.0001	1	Switch, On/Off - Lighted Red (120 V)
	04039.0000	1	Switch, On/Off - Lighted Red (240 V)
7	21273.0000	1	Switch Assy, Half Batch (Automatic Only)
	21212.0000	1	Nut, Knurled .250-40
8	21453.0000	1	Shield, Timer Board (Automatic Only)
9	02620.1042	1	Timer, 5 min 120 V (Automatic Only)
	02620.1043	1	Timer, 5 min 240 V (Automatic Only)
	32400.0002	1	Timer, Digital 120 V (Automatic Only)
	32400.0003	1	Timer, Digital 240 V (Automatic Only)
	01342.0001	3	Screw, Hex Wshr #6-32 x .62"
	01533.0003	3	Spacer, NYL - .140" ID x .250" OD
10	01711.1002	1	Cord Assy, Power 120 V (Models with large Vacation Switch)
	01711.1003	1	Cord Assy, Power 120V (Models with small Vacation Switch)
	01716.0000	1	Cord, Power 250 V 10 Amp
	00707.0000	1	Bushing, Strain Relief (used with 120 V cord only)
11	04786.0002	1	Switch, Vacation On/Off - Black 120 & 240 V (.64" x 1.23")
	20317.0006	1	Switch, Vacation On/Off - Black 120V (.59" x .825")
12	05749.0003	1	Plug, Black .375" dia. (Used with late model Digital Timer)
The Following Items Are Not Illustrated			
13	21225.0000	1	Wiring Harness - Timer to Solenoid 120 V (Automatic Only)
	21225.0001	1	Wiring Harness - Timer to Solenoid 240 V (Automatic Only)
14	21000.0020	1	Lead, Elec-On/Off Switch (120 V & 240 V)(Models with large Vacation Switch)
	21000.0709	1	Lead, Elec-On/Off Switch (120V) (Models with small Vacation Switch)
15	28235.0001	1	Wiring Harness - TCO - Thermostat
16	21003.0139	1	Lead - Elec On/Off Switch (240 V Models only)
17	21000.0334	1	Lead - Elec On/Off Switch (240 V Models only)
18	01908.0000	1	Power Connector (Used on 240 V Models only)
	01362.0000	2	Screw, OVH SLTD SST #4-40 x .50"
	01509.0000	2	Lock Washer, EXT T-#4
	00937.0000	2	Nut, Hex - SST #4-40



WARMER ASSEMBLY AND FUNNEL

ITEM	PART NO.	QTY.	DESCRIPTION
1	04041.0003	1	Funnel, Hot Water - Black
2	38766.0001	1	Funnel, Brew - Black
3	-----	1	Base Frame, Warmer See HOUSING AND COVERS
4	04095.0002	1	Warmer Assy, W/Leads 120 V (Includes Items 5-8)
	04095.0003	1	Warmer Assy, W/Leads 240 V (Includes Items 5-8)
	01367.0000	1	Screw, Hex UNSLTD - PL - .25" x .38"
	01519.0000	1	Lock Washer - #8
	00908.0000	1	Nut, Hex - SST #8-32
5	04151.0002	1	Warmer Dish, Black Porcelain
6	04163.1000	1	Warmer Element Assy 120 V
	04163.1001	1	Warmer Element Assy 240 V
7	01001.0000	2	Nut, Wshr - Depressed #8-32
8	01676.0000	1	Wiring Harness, Warmer 120 V
	01676.0001	1	Wiring Harness, Warmer 240 V
9	04870.0000	1	Pitcher, Water 48 oz.
10	41188.1000	1	Warmer Assy, PTC W/Leads 120 V (New Style w/2 Mounting Screws)

NUMERICAL INDEX

PART NO.	PAGE NO.	PART NO.	PAGE NO.	PART NO.	PAGE NO.	PART NO.	PAGE NO.
00310.0000.....	9	01929.0000.....	7	21212.0000.....	11		
00402.0001.....	9	01975.0000.....	9	21214.0000.....	9		
00464.0001.....	9	02328.0003.....	11	21225.0000.....	11		
00656.0000.....	5	02620.1042.....	11	21225.0001.....	11		
00658.0000.....	5	02620.1043.....	11	21273.0000.....	11		
00707.0000.....	11	03990.0000.....	5	21274.0000.....	11		
00720.0000.....	11	04002.1000.....	5	21327.0000.....	5		
00824.0002.....	5	04002.1001.....	5	21327.0001.....	5		
00831.0000.....	5	04016.0001.....	5	21453.0000.....	11		
00908.0000.....	13	04021.0002.....	5	21901.0000.....	5		
00937.0000.....	11	04039.0000.....	11	21901.0001.....	5		
00938.0000.....	5	04041.0003.....	13	21902.0000.....	5		
00942.0000.....	7,9	04052.0000.....	11	21902.0001.....	5		
00943.0000.....	7,9	04060.0000.....	5	21903.0000.....	5		
00973.0000.....	7	04062.0000.....	5	28223.0000.....	11		
01001.0000.....	13	04063.0000.....	5	28235.0001.....	7,11		
01075.0000.....	7	04064.0000.....	5	28479.0000.....	9		
01079.0000.....	9	04065.0000.....	5	28480.0000.....	9		
01082.0004.....	7	04067.0001.....	11	28481.0000.....	9		
01085.0002.....	9	04069.0003.....	11	32400.0002.....	11		
01100.0000.....	9	04095.0002.....	13	32400.0003.....	11		
01111.0002.....	9	04095.0003.....	13	33218.0000.....	5		
01148.0001.....	9	04097.0001.....	5	33605.0000.....	7		
01155.0000.....	9	04097.0002.....	5	35430.0000.....	7		
01200.0000.....	7	04100.0000.....	7	37881.0002.....	5		
01201.0000.....	7	04123.0001.....	5	38766.0001.....	13		
01212.0000.....	7	04124.0001.....	5	41188.1000.....	13		
01315.0000.....	5	04140.0000.....	7	44646.0002.....	5		
01327.0000.....	9	04142.0001.....	7				
01342.0000.....	5,11	04144.1000.....	7				
01342.0001.....	11	04151.0002.....	13				
01350.0000.....	5	04163.1000.....	13				
01351.0000.....	5	04163.1001.....	13				
01352.0000.....	7	04167.0000.....	7				
01362.0000.....	11	04167.0001.....	7				
01363.0000.....	7	04174.1000.....	7				
01367.0000.....	13	04786.0002.....	11				
01380.0000.....	7	04844.0000.....	7				
01382.0000.....	7	04870.0000.....	13				
01383.0000.....	5	05518.0000.....	7				
01502.0000.....	9	05749.0003.....	11				
01509.0000.....	11	07073.1000.....	11				
01519.0000.....	13	11707.1001.....	9				
01533.0003.....	11	12422.0000.....	9				
01540.0000.....	7	20317.0006.....	11				
01544.0000.....	9	20526.1222.....	9				
01676.0000.....	13	21000.0020.....	11				
01676.0001.....	13	21000.0334.....	11				
01711.1002.....	11	21000.0709.....	11				
01711.1003.....	11	21003.0139.....	11				
01716.0000.....	11	21139.0000.....	5				
01908.0000.....	11	21139.0002.....	5				