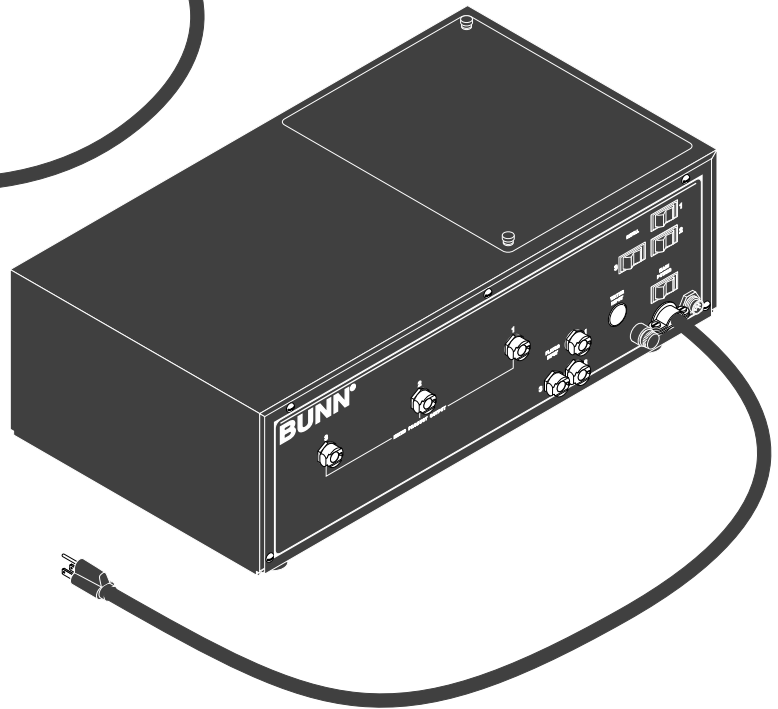
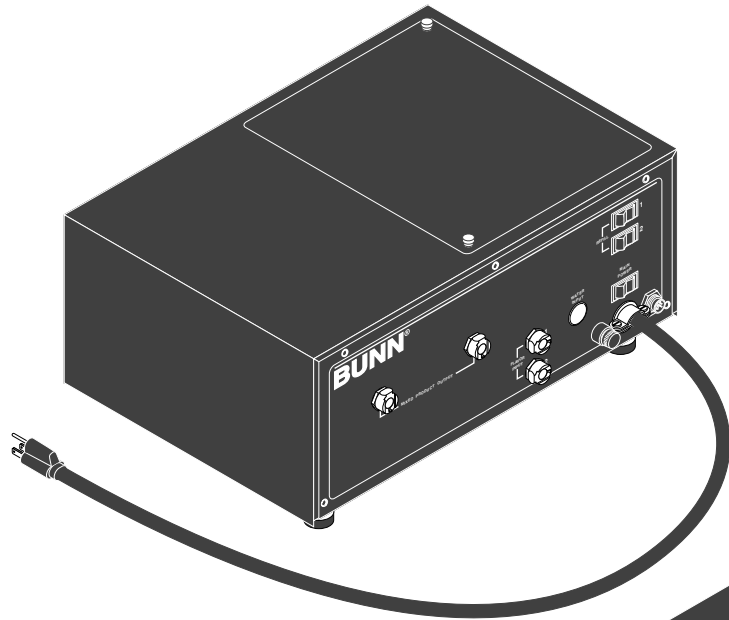


# BUNN®

# *AF PR-2*

# *AF PR-3*



## ILLUSTRATED PARTS CATALOG

Designs, materials, weights, specifications, and dimensions for equipment or replacement parts are subject to change without notice.

### BUNN-O-MATIC CORPORATION

POST OFFICE BOX 3227

SPRINGFIELD, ILLINOIS 62708-3227

PHONE: (217) 529-6601 FAX: (217) 529-6644

## **WARRANTY**

Bunn-O-Matic Corp. ("Bunn") warrants the equipment manufactured by it to be commercially free from defects in material and workmanship existing at the time of manufacture and appearing within one year from the date of installation. In addition:

1.) Bunn warrants electronic circuit and/or control boards to be commercially free from defects in material and workmanship for two years from the date of installation.

2.) Bunn warrants the compressor on refrigeration equipment to be commercially free from defects in material and workmanship for two years from the date of installation.

3.) Bunn warrants that the grinding burrs on coffee grinding equipment will grind coffee to meet original factory screen sieve analysis for three years from date of installation or for 30,000 pounds of coffee, whichever comes first.

This warranty does not apply to any equipment, component or part that was not manufactured by Bunn or that, in Bunn's judgement, has been affected by misuse, neglect, alteration, improper installation or operation, improper maintenance or repair, damage or casualty.

**THE FOREGOING WARRANTY IS EXCLUSIVE AND IS IN LIEU OF ANY OTHER WARRANTY, WRITTEN OR ORAL, EXPRESS OR IMPLIED, INCLUDING, BUT NOT LIMITED TO, ANY IMPLIED WARRANTY OF EITHER MERCHANTABILITY OR FITNESS FOR A PARTICULAR PURPOSE.** The agents, dealers or employees of Bunn are not authorized to make modifications to this warranty or to make additional warranties that are binding on Bunn. Accordingly, statements by such individuals, whether oral or written, do not constitute warranties and should not be relied upon.

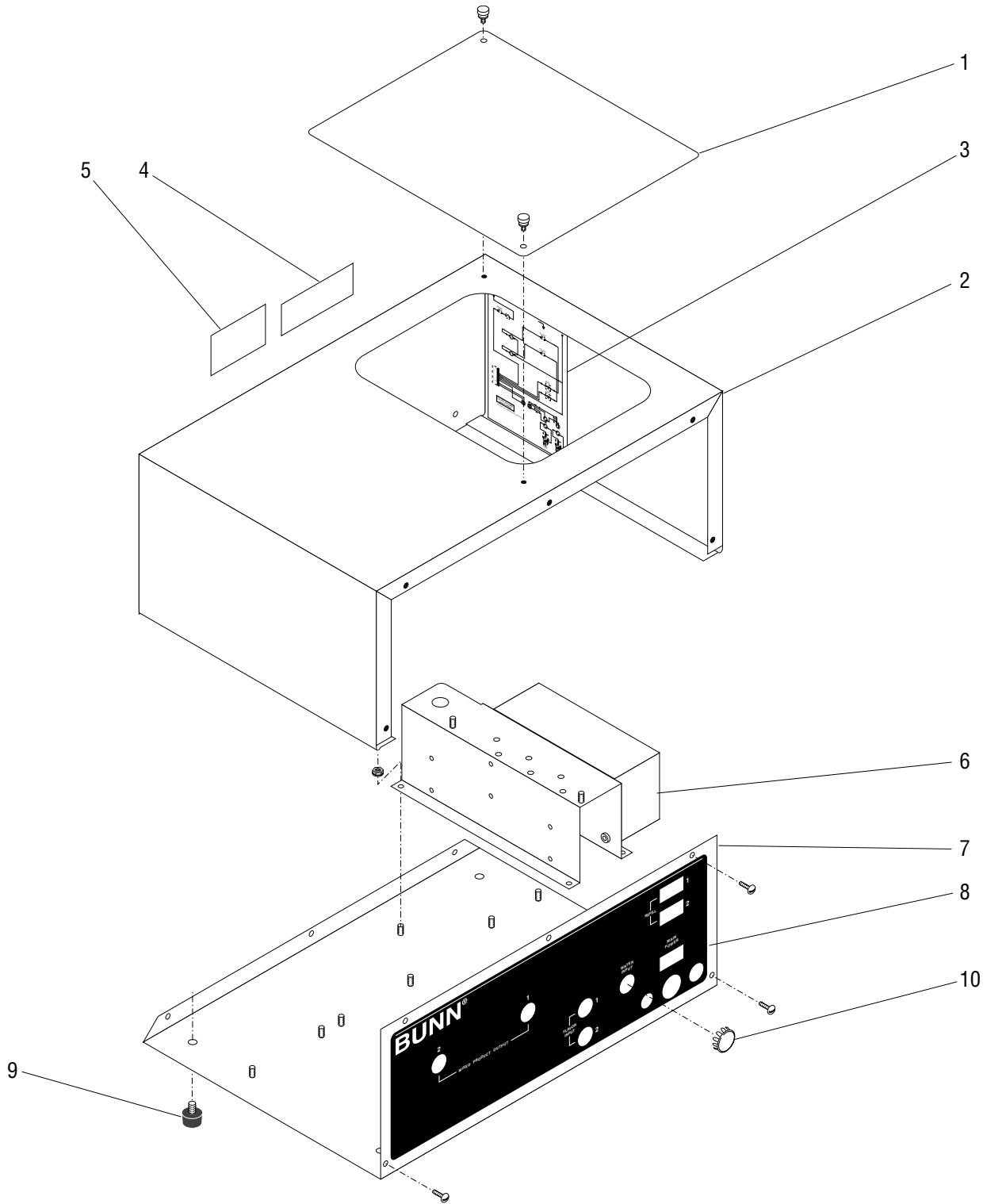
The Buyer shall give Bunn prompt notice of any claim to be made under this warranty by telephone at (217) 529-6601 or by writing to Post Office Box 3227, Springfield, Illinois, 62708-3227. If requested by Bunn, the Buyer shall ship the defective equipment prepaid to an authorized Bunn service location. If Bunn determines, in its sole discretion, that the equipment does not conform to the warranty, Bunn shall repair the equipment with no charge for parts during the warranty period and no charge for labor by a Bunn Authorized Service Representative during the warranty period. If Bunn determines that repair is not feasible, Bunn shall, at its sole option, replace the equipment or refund the purchase price for the equipment.

**THE BUYER'S REMEDY AGAINST BUNN FOR THE BREACH OF ANY OBLIGATION ARISING OUT OF THE SALE OF THIS EQUIPMENT, WHETHER DERIVED FROM WARRANTY OR OTHERWISE, SHALL BE LIMITED, AS SPECIFIED HEREIN, TO REPAIR OR, AT BUNN'S SOLE OPTION, REPLACEMENT OR REFUND.**

In no event shall Bunn be liable for any other damage or loss, including, but not limited to, lost profits, lost sales, loss of use of equipment, claims of Buyer's customers, cost of capital, cost of down time, cost of substitute equipment, facilities or services, or any other special, incidental or consequential damages.

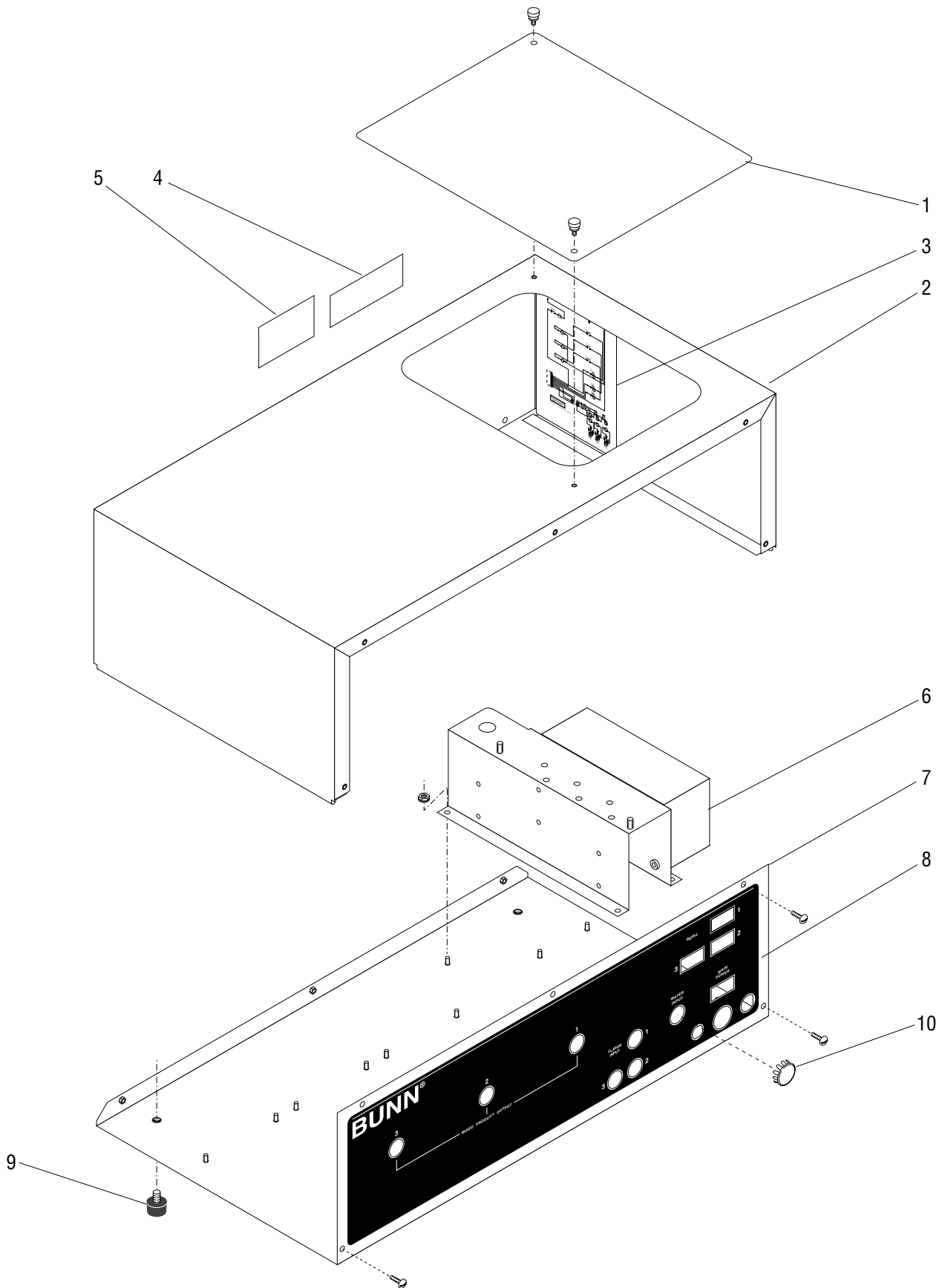
# TABLE OF CONTENTS

ELECTRICAL AND OPERATING CONTROLS (AFPR-2).....	20
ELECTRICAL AND OPERATING CONTROLS (AFPR-3).....	22
HOUSING AND COVERS (AFPR-2) .....	4
HOUSING AND COVERS (AFPR-3) .....	6
NUMERICAL INDEX .....	24
PUMP AND PIPING (AFPR-2) .....	8
PUMP AND PIPING (AFPR-3) .....	10
PUMP COMPONENTS (AFPR-2 & 3) .....	12
REFILL PROBE AND LINES (AFPR-2) .....	14
REFILL PROBE AND LINES (AFPR-3) .....	16



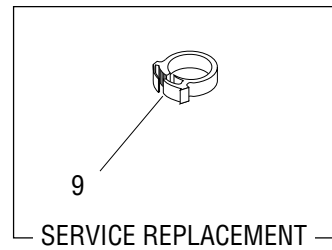
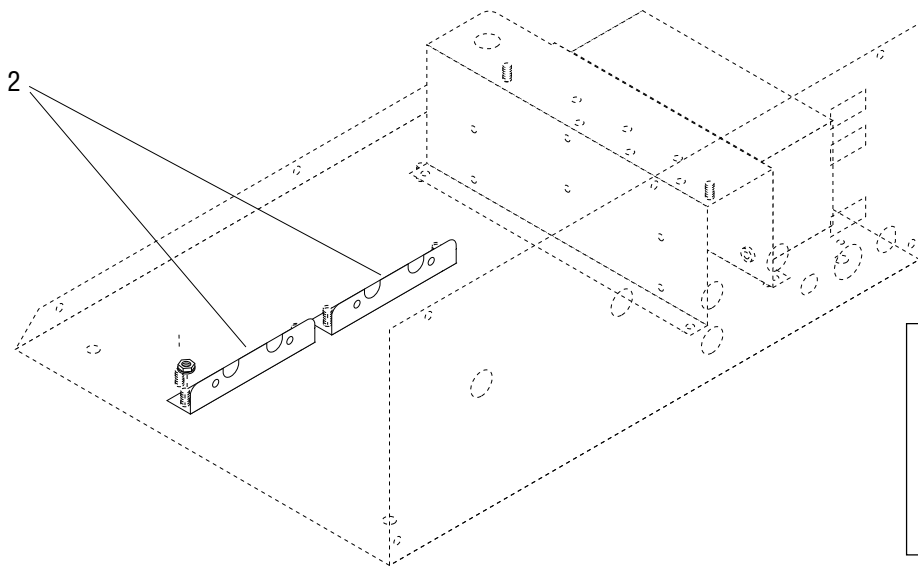
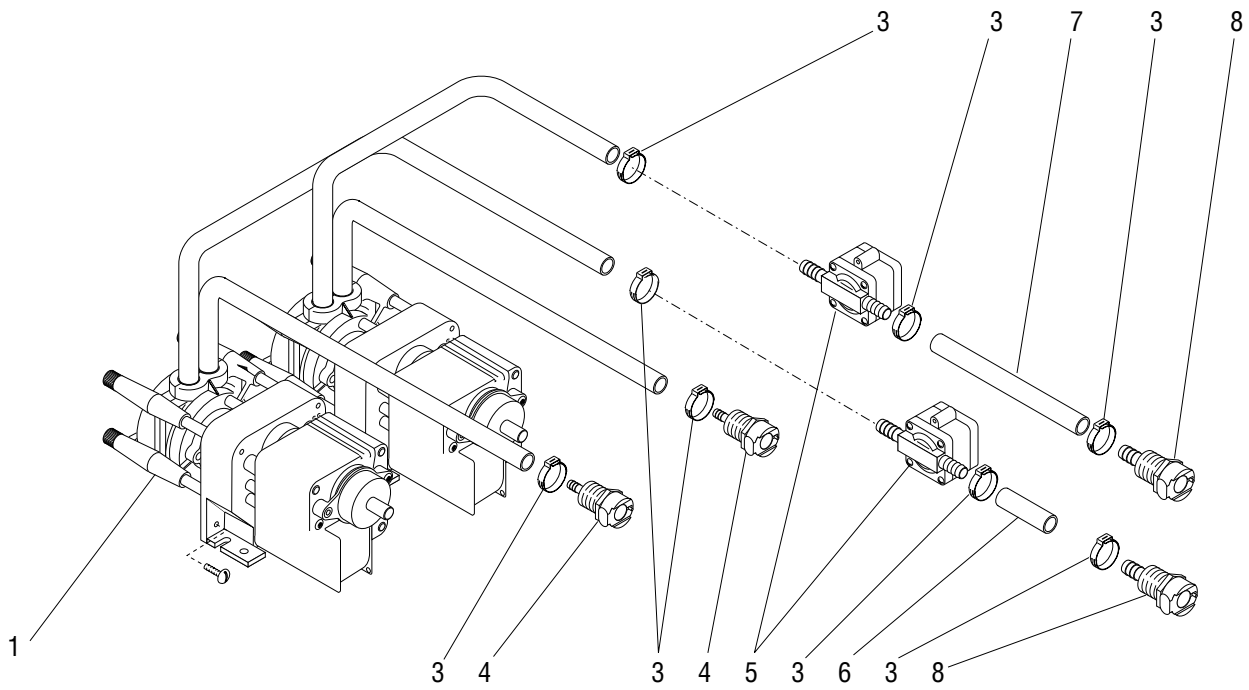
## HOUSING AND COVERS

ITEM	PART NO.	QTY.	DESCRIPTION
1	28409.0000	1	Panel, Access
	28062.0000	2	Screw, Knurled Thumb #8-32
2	28845.0001	1	Housing, Main W/Decals (Includes items 3 thru 5)
3	28814.0002	1	Decal, Electrical Schematic
4	00656.0000	1	Decal, COMPLIANCE TO PLUMBING CODE
5	00986.0002	1	Decal, WARNING-ELECTRICAL
6	28403.0000	1	Bracket, Vacuum Switch
	00970.0000	4	Nut, Keps #8-32
7	28787.1000	1	Panel W/Decals, Main Mounting (Includes item 8)
	02322.0002	8	Screw, Pan Head #8-32 x .375"
8	28413.0000	1	Decal, Front
9	25137.0001	4	Foot
10	00619.0009	1	Plug, Hole .688" dia.



## HOUSING AND COVERS

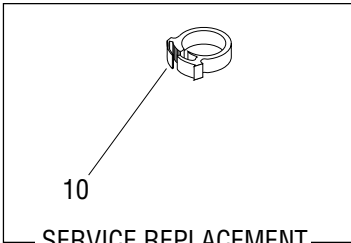
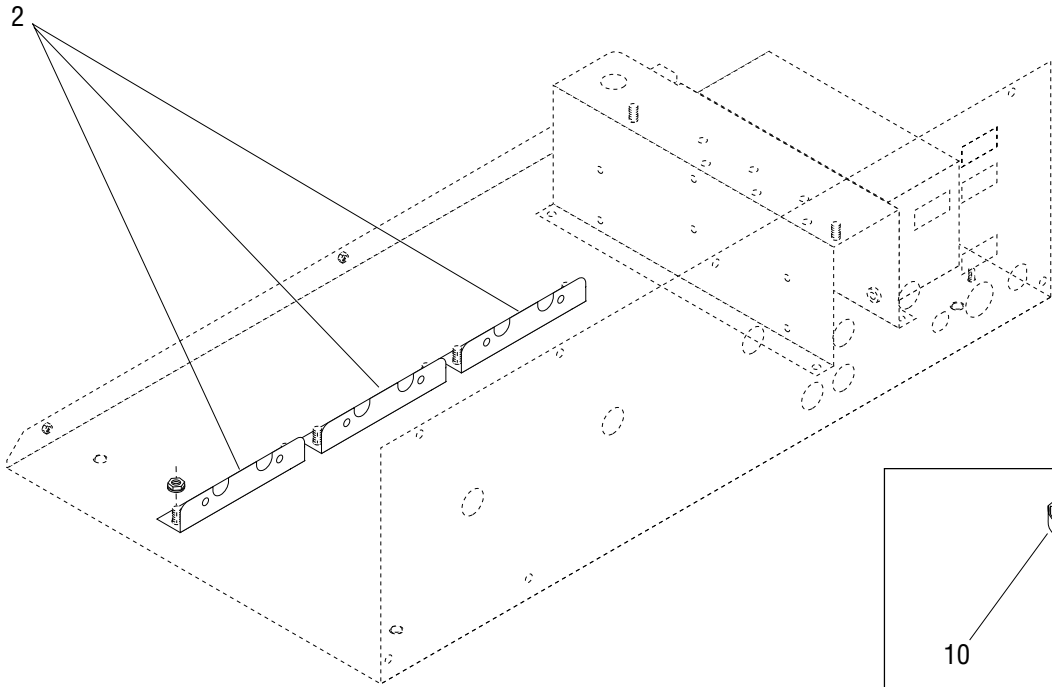
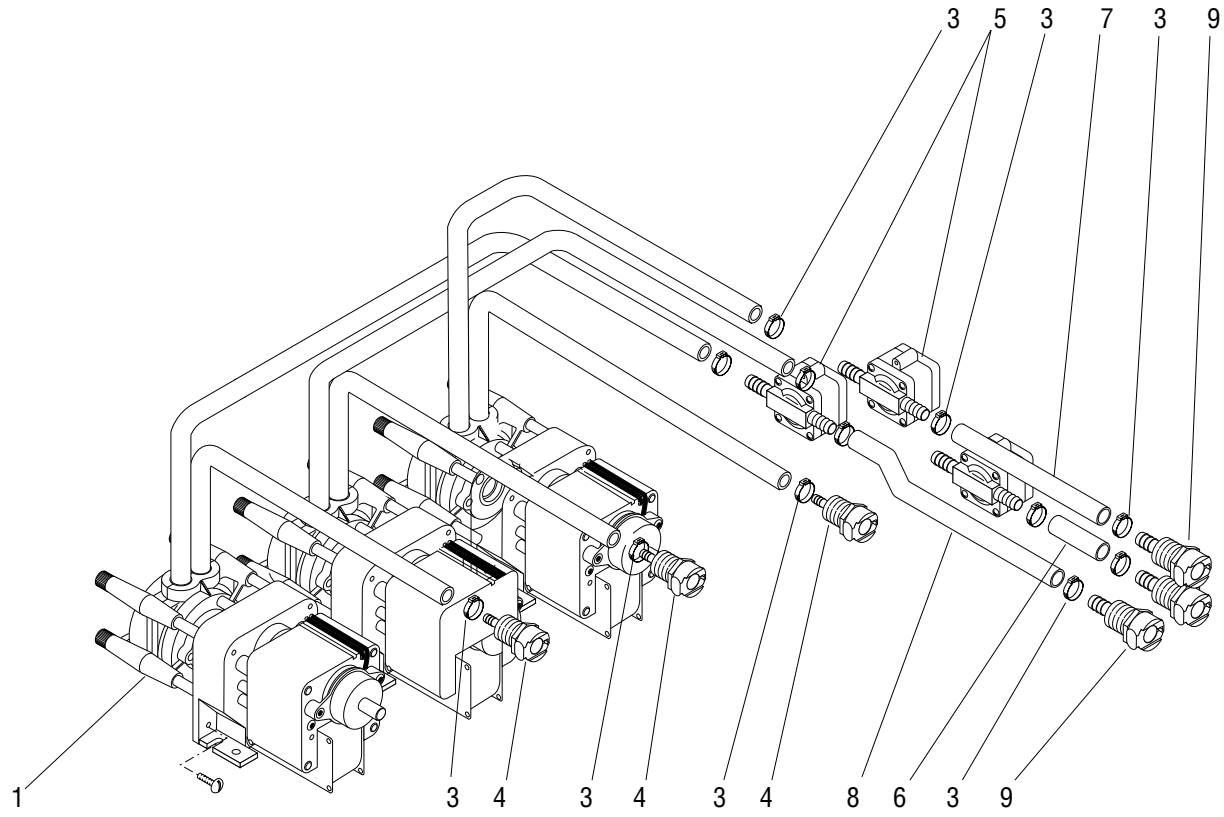
ITEM	PART NO.	QTY.	DESCRIPTION
1	28409.0000	1	Panel, Access
	28062.0000	2	Screw, Knurled Thumb #8-32
2	29064.0000	1	Housing, Main W/Decals (Includes items 3 thru 5)
3	28814.0003	1	Decal, Electrical Schematic
4	00656.0000	1	Decal, COMPLIANCE TO PLUMBING CODE
5	00986.0002	1	Decal, WARNING-ELECTRICAL
6	28403.0000	1	Bracket, Vacuum Switch
	00970.0000	4	Nut, Keps #8-32
7	28827.1000	1	Panel W/Decals, Main Mounting (Includes item 8)
	02322.0002	8	Screw, Pan Head #8-32 x .375"
8	28413.0001	1	Decal, Front
9	25137.0001	4	Foot
10	00619.0009	1	Plug, Hole .688" dia.





## PUMP AND PIPING

ITEM	PART NO.	QTY.	DESCRIPTION
1	-----	2	Pump Assy. (See PUMP COMPONENTS)
	01380.0000	4	Screw, Truss Head #6-32 x .50"
2	28404.0000	2	Bracket, Pump Mounting
	00970.0000	4	Nut, Keps #8-32
3	-----	8	Clamp (Order item 9)
4	28756.0000	2	Quick Disconnect, Barbed .25"
5	-----	2	Switch Assy., Vacuum (See ELECTRICAL AND OPERATING CONTROLS)
6	-----	1	Hose .375" x 1.5" (Order item 10)
7	-----	1	Hose .375" x 4.5" (Order item 10)
8	28757.0000	2	Quick Disconnect, Barbed .375"
9	12422.0001	-	Clamp .590" x .660" dia. (Service Replacement)
10	29056.1000	-	Hose .375" x 12" (Use as required)
	29056.1001	-	Hose .375" x 36" (Use as required)
	29056.1002	-	Hose .375" x 60" (Use as required)

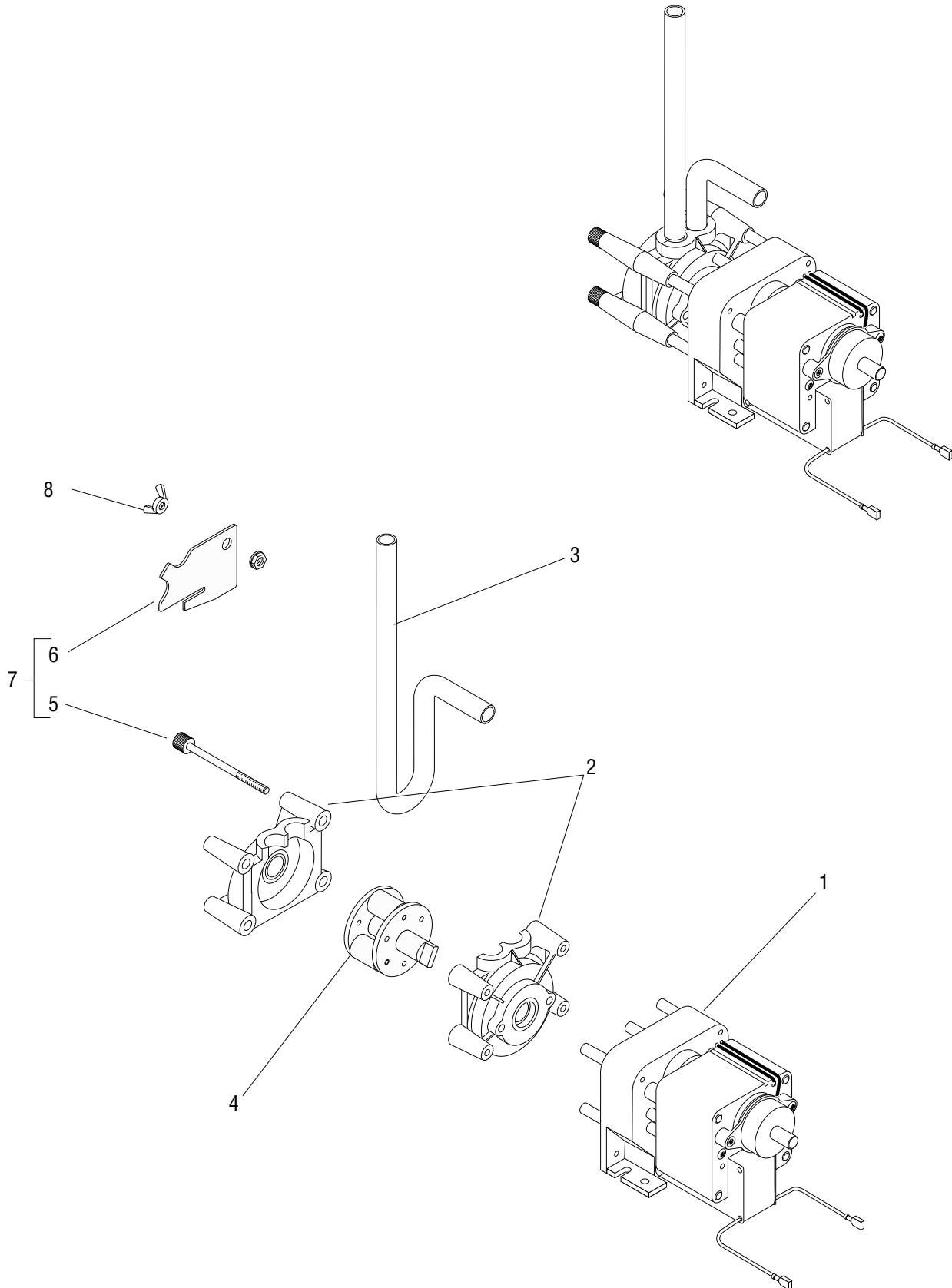


10

SERVICE REPLACEMENT

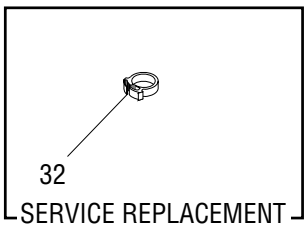
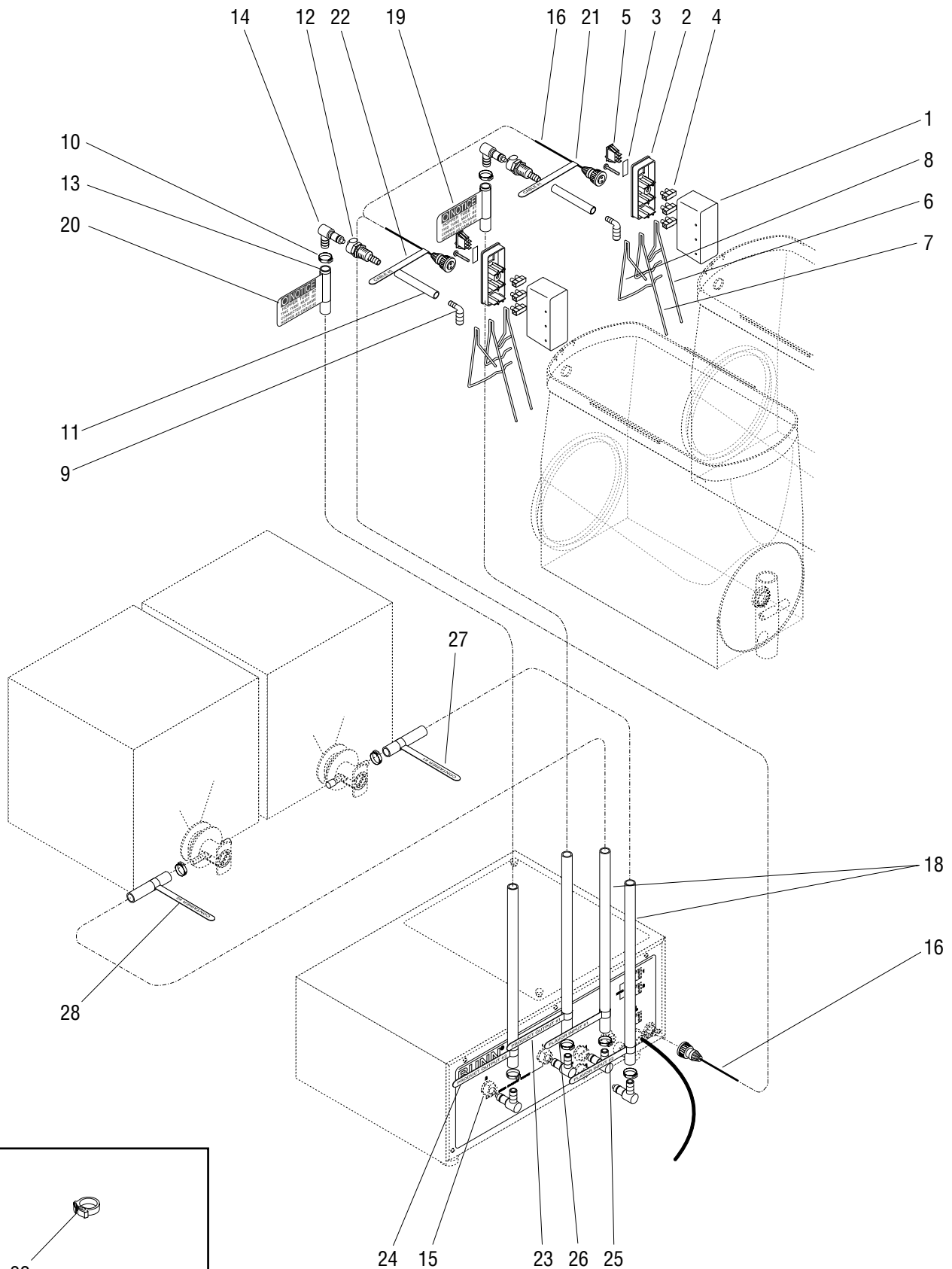
## PUMP AND PIPING

ITEM	PART NO.	QTY.	DESCRIPTION
1	-----	3	Pump Assy. (See PUMP COMPONENTS)
	01380.0000	6	Screw, Truss Head #6-32 x .50"
2	28404.0000	3	Bracket, Pump Mounting
	00970.0000	6	Nut, Keps #8-32
3	-----	12	Clamp (Order item 10)
4	28756.0000	3	Quick Disconnect, Barbed .25"
5	-----	3	Switch Assy., Vacuum (See ELECTRICAL AND OPERATING CONTROLS)
6	-----	1	Hose .375" x 1.5" (Order item 11)
7	-----	1	Hose .375" x 4.5" (Order item 11)
8	-----	1	Hose .375" x 7.5" (Order item 11)
9	28757.0000	3	Quick Disconnect, Barbed .375"
10	12422.0001	-	Clamp .590" x .660" (Service Replacement)
11	29056.1000	-	Hose .375" x 12" (Use as required)
	29056.1001	-	Hose .375" x 36" (Use as required)
	29056.1002	-	Hose .375" x 60" (Use as required)



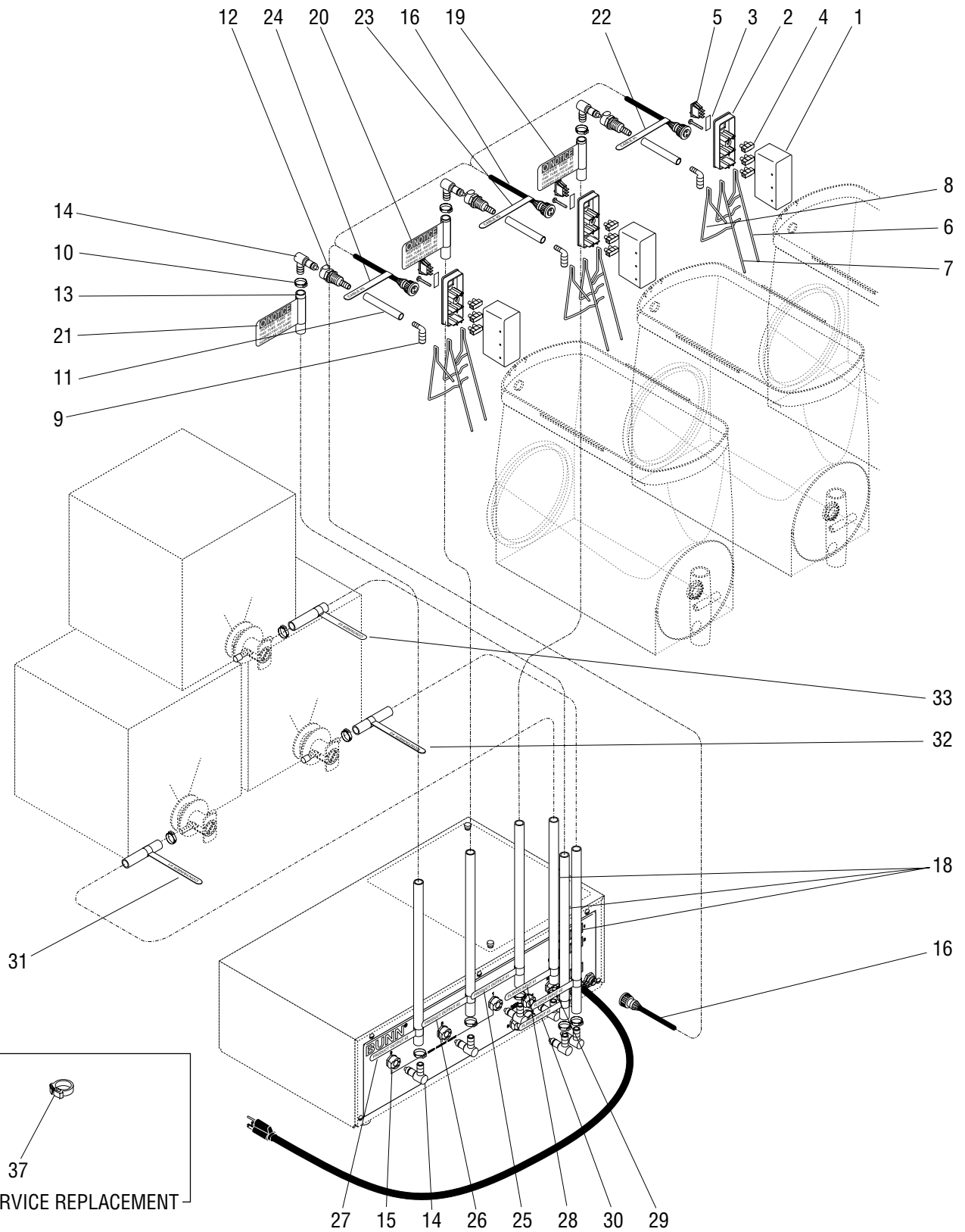
## PUMP COMPONENTS

ITEM	PART NO.	QTY.	DESCRIPTION
1	28762.0000	1	Motor, Pump
2	28759.0000	1	Head Assy., Pump (Includes Items 4 and 5)
3	-----	1	Hose Assy, HPR-1 .25" ID x 22.2" (Order item 8)
	-----	1	Hose Assy, HPR-2 .25" ID x 27.0" (Order item 8)
	-----	1	Hose Assy, HPR-3 .25" ID x 31.5" (Order item 8)
4	28794.0000	1	Rotor, Pump
5	28754.0000	4	Screw, Knurled Thumb #8-32 x 2.45"
6	-----	1	Key, Hose Installation (Not Serviced. Order item 7)
7	28758.0000	1	Kit, Hardware (Includes Items 5 and 6)
8	28755.1001	-	Hose Assy, .25" ID x 36" (Use As Required)
	28755.1002	-	Hose Assy, .25" ID x 60" (Use As Required)
9	01386.0000	1	Wing Nut, SST #8-32
	00970.0000	1	Nut, Keps #8-32



## REFILL PROBE AND LINES

ITEM	PART NO.	QTY.	DESCRIPTION
-	28767.1000	2	Probe Assy, Hopper Refill (Includes items 1 thru 8 & 17)
1	28446.0000	2	Housing, Probe
2	28447.0000	2	Cover, Housing
	01364.0000	2	Screw, Pan Head, Thread Cutting #6 x .375"
3	28415.0000	2	Decal, Sensor
4	28781.1000	6	Block, Terminal
5	27437.0000	2	Switch, ON/OFF/ON
6	28450.0000	2	Probe, Long
7	28451.0000	2	Probe, Center
8	28452.0000	2	Probe, Short
9	28770.0000	2	Elbow, Barbed .25" x .50"
10	-----	8	Clamp (Order item 32)
11	-----	2	Hose .265" x 1.25" (Order item 29)
12	28756.0000	2	Quick Disconnect, Barbed .25"
13	-----	2	Hose, Product Output .375" x 00.0" (Order item 30)
14	28769.0001	6	Elbow, Quick Disconnect
15	-----	2	Quick Disconnect (See PUMP AND PIPING)
16	28410.0000	1	Cable Assy, Console to Probe Housing
17	28766.0000	2	Wire Assy, Probe Housing (Not Illustrated)
18	-----	2	Hose, Flavor Input .375" x 00.0" (Order item 30)
19	-----	1	Decal, Hopper Tube #1 (Order item 31)
20	-----	1	Decal, Hopper Tube #2 (Order item 31)
21	-----	1	Decal, Cable #1 (Order item 31)
22	-----	1	Decal, Cable #2 (Order item 31)
23	-----	1	Decal, Tube-Product Output #1 (Order item 31)
24	-----	1	Decal, Tube-Product Output #2 (Order item 31)
25	-----	1	Decal, Flavor Input #1 (Order item 31)
26	-----	1	Decal, Flavor Input #2 (Order item 31)
27	-----	1	Decal, Container #1 (Order item 31)
28	-----	1	Decal, Container #2 (Order item 31)
29	28755.1000	-	Hose .265" x 12" (Use as required)
30	20976.1000	-	Hose .375" x 12" (Use as required)
	20976.1001	-	Hose .375" x 36" (Use as required)
	20976.1002	-	Hose .375" x 120" (Use as required)
31	28417.0000	1	Decal Kit (Includes items 19 thru 28)
32	12422.0001	-	Clamp .590" x .660" (Service Replacement)



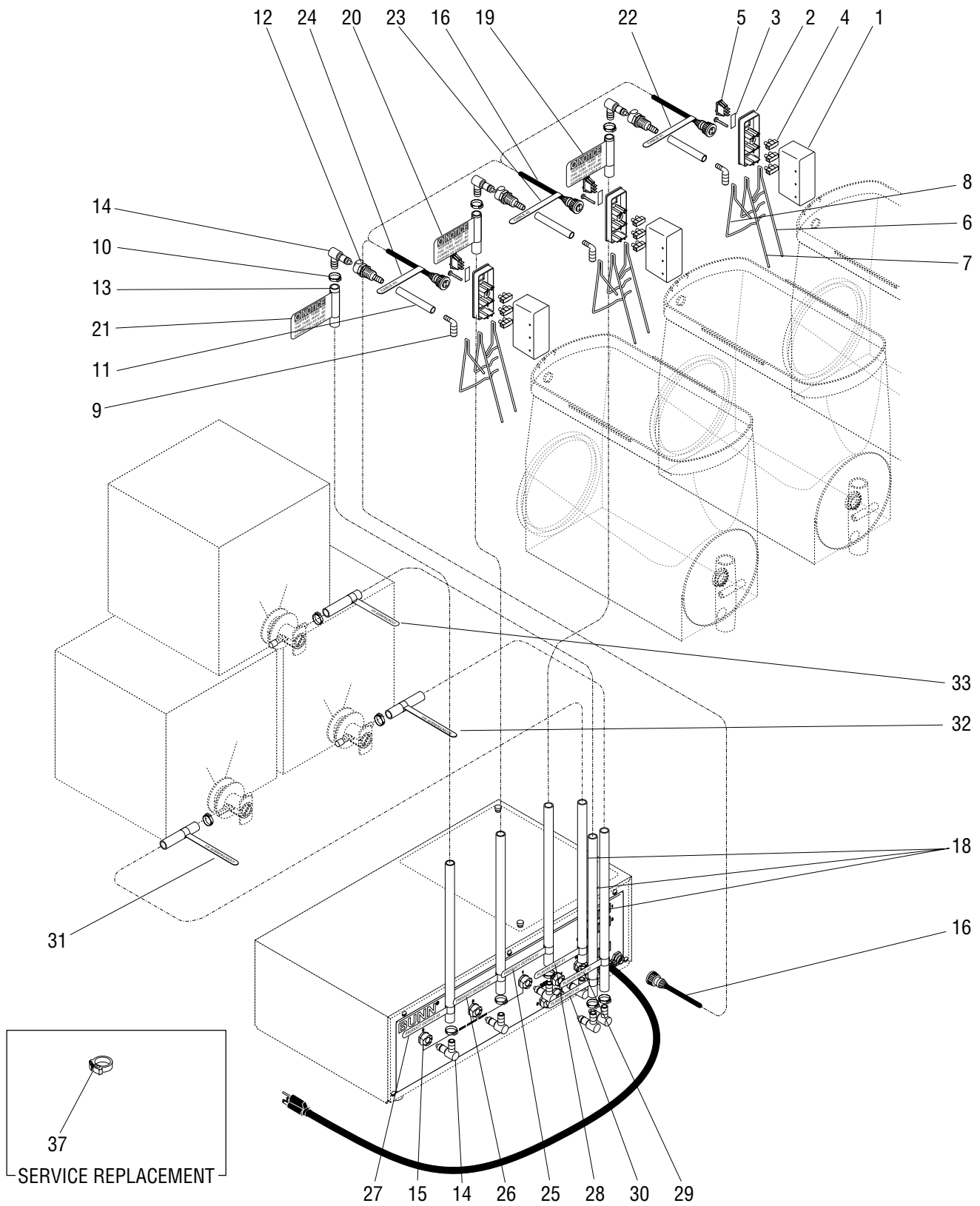


## REFILL PROBE AND LINES

ITEM	PART NO.	QTY.	DESCRIPTION
-	28767.1000	3	Probe Assy, Hopper Refill (Includes items 1 thru 8 & 17)
1	28446.0000	3	Housing, Probe
2	28447.0000	3	Cover, Housing
	01364.0000	3	Screw, Pan Head, Thread Cutting #6 x .375"
3	28415.0000	3	Decal, Sensor
4	28781.1000	9	Block, Terminal
5	27437.0000	3	Switch, ON/OFF/ON
6	28450.0000	3	Probe, Long
7	28451.0000	3	Probe, Center
8	28452.0000	3	Probe, Short
9	28770.0000	3	Elbow, Barbed .25" x .50"
10	-----	12	Clamp (Order item 37)
11	-----	3	Hose .265" x 1.25" (Order item 34)
12	28756.0000	3	Quick Disconnect, Barbed .25"
13	-----	3	Hose, Product Output .375" x 00.0" (Order item 35)
14	28769.0001	9	Elbow, Quick Disconnect
15	-----	3	Quick Disconnect (See PUMP AND PIPING)
16	28410.0001	1	Cable Assy, Console to Probe Housing
17	28766.0000	3	Wire Assy, Probe Housing (Not Illustrated)
18	-----	3	Hose, Flavor Input .375" x 00.0" (Order item 35)
19	-----	1	Decal, Hopper Tube #1 (Order item 36)
20	-----	1	Decal, Hopper Tube #2 (Order item 36)
21	-----	1	Decal, Hopper Tube #3 (Order item 36)
22	-----	1	Decal, Cable #1 (Order item 36)
23	-----	1	Decal, Cable #2 (Order item 36)
24	-----	1	Decal, Cable #3 (Order item 36)
25	-----	1	Decal, Tube-Product Output #1 (Order item 36)
26	-----	1	Decal, Tube-Product Output #2 (Order item 36)
27	-----	1	Decal, Tube-Product Output #3 (Order item 36)
28	-----	1	Decal, Flavor Input #1 (Order item 36)
29	-----	1	Decal, Flavor Input #2 (Order item 36)
30	-----	1	Decal, Flavor Input #3 (Order item 36)

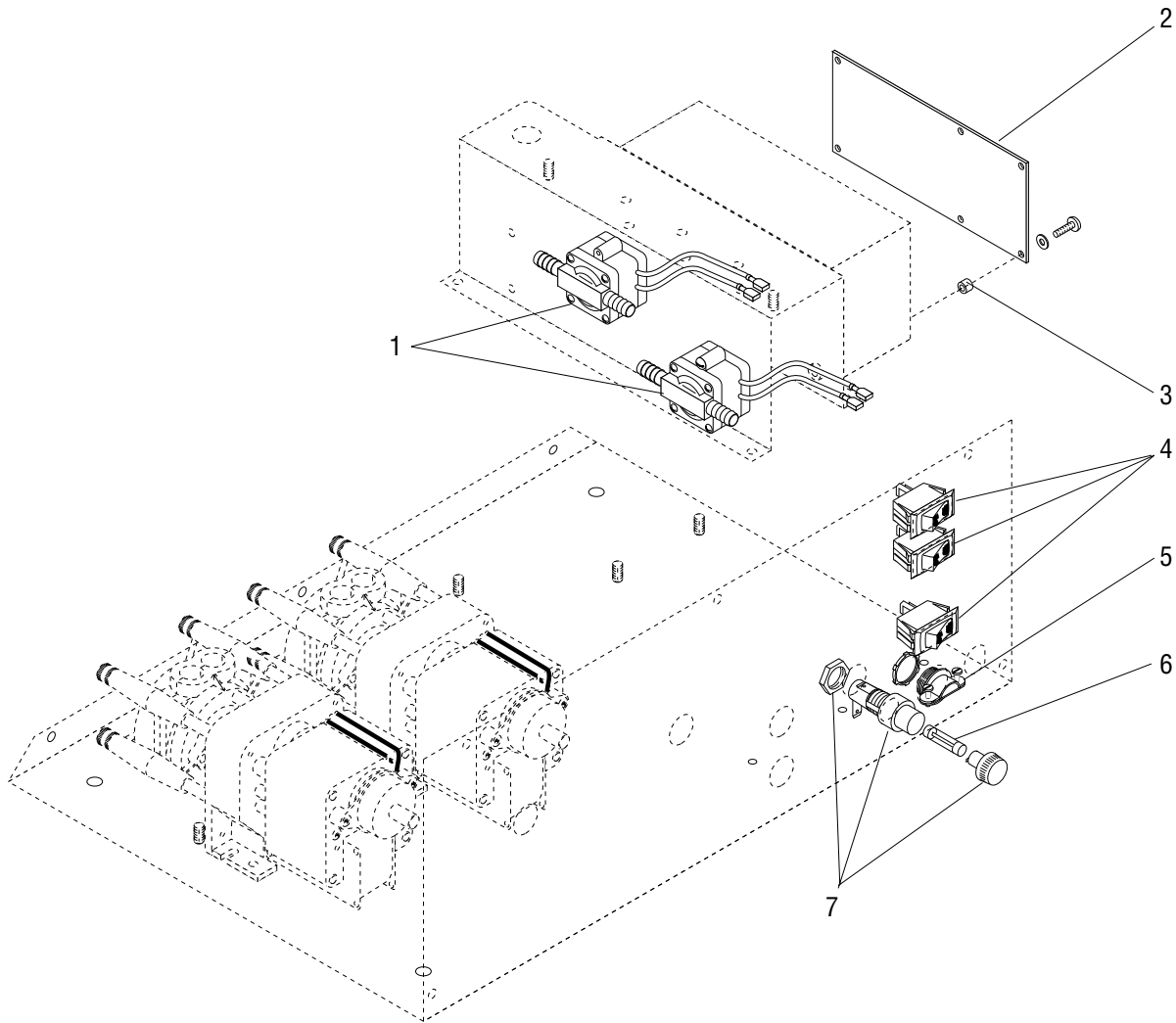
(Continued)

(Continued)



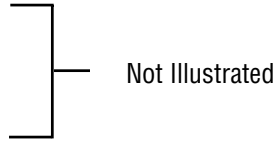
## REFILL PROBE AND LINES

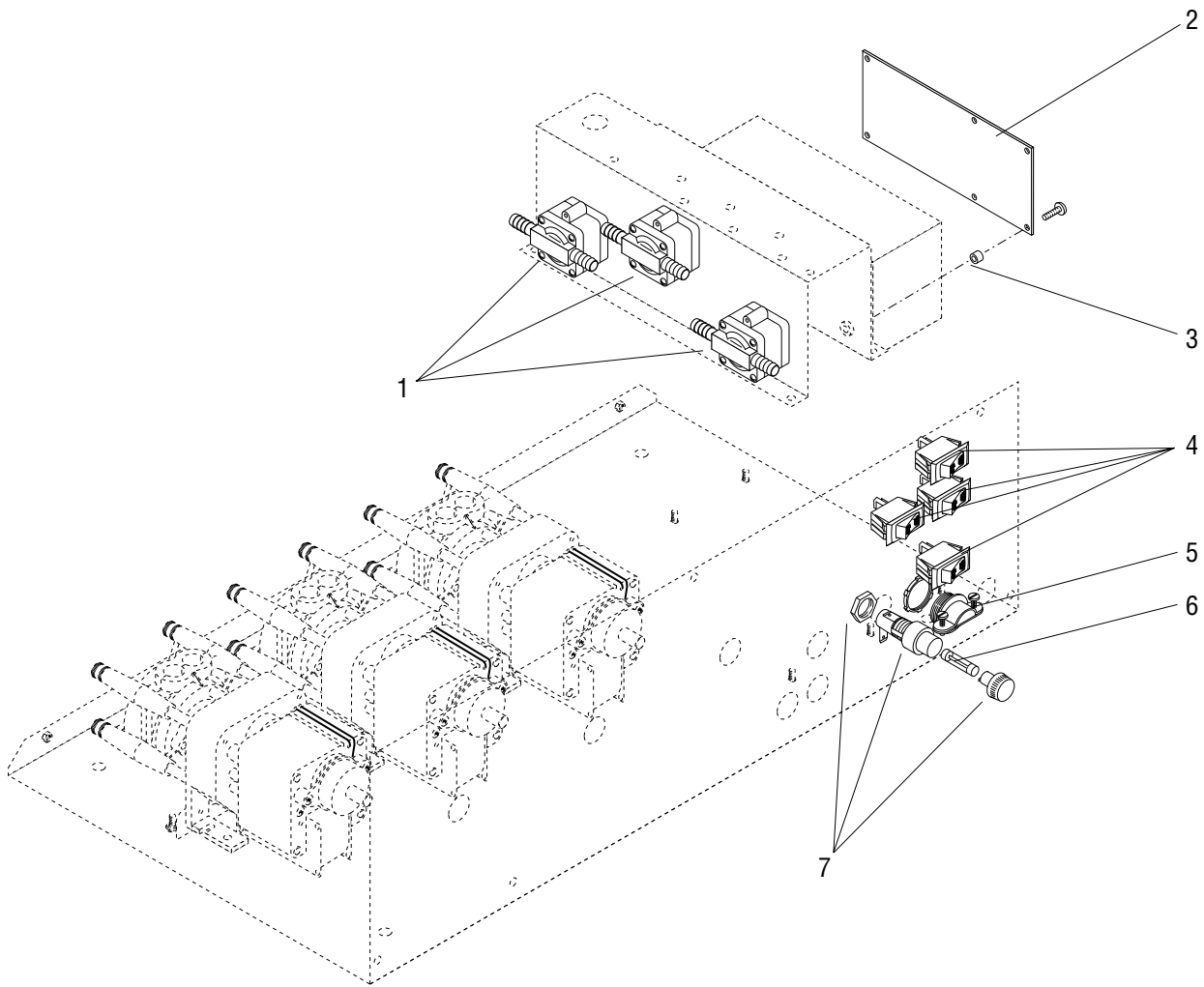
ITEM	PART NO.	QTY.	DESCRIPTION
31	-----	1	Decal, Container #1 (Order item 36)
32	-----	1	Decal, Container #2 (Order item 36)
33	-----	1	Decal, Container #3 (Order item 36)
34	28755.1000	-	Hose .265" x 12" (Use as required)
35	20976.1000	-	Hose .375" x 12" (Use as required)
	20976.1001	-	Hose .375" x 36" (Use as required)
	20976.1002	-	Hose .375" x 120" (Use as required)
36	28417.0000	1	Decal Kit (Includes items 19 thru 33)
37	12422.0001	-	Clamp .590" x .660" (Service Replacement)



## ELECTRICAL AND OPERATING CONTROLS

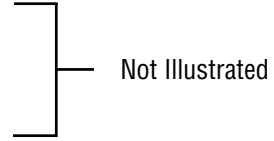
ITEM	PART NO.	QTY.	DESCRIPTION
1	28751.0000	2	Switch, Vacuum Controlled
	02362.0000	4	Screw, Pan Head #4-40 x 1.25"
2	28396.0000	1	Circuit Board, Control
	01303.0000	6	Screw, Pan Head #4-40 x .50"
	01525.0000	6	Washer, Retaining
3	01533.0004	6	Spacer
4	04786.0002	3	Switch, ON/OFF
5	01685.0000	1	Connector, Cord
6	27035.0001	1	Fuse, 10 amp
7	03231.0000	1	Holder Assy, Fuse (Includes Cap and Mounting Nut)
8	28412.0001	1	Wiring Harness, Main
9	-----	1	Splice, Bell (Not Serviced)
10	20630.0004	1	Cord, Power





## ELECTRICAL AND OPERATING CONTROLS

ITEM	PART NO.	QTY.	DESCRIPTION
1	28751.0000	3	Switch, Vacuum Controlled
	02362.0000	6	Screw, Pan Head #4-40 x 1.25"
2	28396.0000	1	Circuit Board, Control
	01303.0000	6	Screw, Pan Head #4-40 x .50"
	01525.0000	6	Washer, Retaining
3	01533.0004	6	Spacer
4	04786.0002	4	Switch, ON/OFF
5	01685.0000	1	Connector, Cord
6	27035.0001	1	Fuse, 10 amp
7	03231.0000	1	Holder Assy, Fuse (Includes Cap and Mounting Nut)
8	28837.0001	1	Wiring Harness, Main
9	-----	1	Splice, Bell (Not Serviced)
10	20630.0004	1	Cord, Power



## NUMERICAL INDEX

PART NO.	PAGE NO.	PART NO.	PAGE NO.	PART NO.	PAGE NO.	PART NO.	PAGE NO.
00619.0009 .....	5,7	28781.1000 .....	15,17				
00656.0000 .....	5,7	28787.1000 .....	5				
00970.0000 .....	5,7,9,11,13	28794.0000 .....	13				
00986.0002 .....	5,7	28814.0002 .....	5				
01303.0000 .....	21,23	28814.0003 .....	7				
01364.0000 .....	15,17	28827.1000 .....	7				
01380.0000 .....	9,11	28837.0001 .....	23				
01386.0000 .....	13	28845.0001 .....	5				
01525.0000 .....	21,23	29056.1000 .....	9,11				
01533.0004 .....	21,23	29056.1001 .....	9,11				
01685.0000 .....	21,23	29056.1002 .....	9,11				
02322.0002 .....	5,7	29064.0000 .....	7				
02362.0000 .....	21,23						
03231.0000 .....	21,23						
04786.0002 .....	21,23						
12422.0001 .....	9,11,15,19						
20630.0004 .....	21,23						
20976.1000 .....	15,19						
20976.1001 .....	15,19						
20976.1002 .....	15,19						
25137.0001 .....	5,7						
27035.0001 .....	21,23						
27437.0000 .....	15,17						
28062.0000 .....	5,7						
28396.0000 .....	21,23						
28403.0000 .....	5,7						
28404.0000 .....	9,11						
28409.0000 .....	5,7						
28410.0000 .....	15						
28410.0001 .....	17						
28412.0001 .....	21						
28413.0000 .....	5						
28413.0001 .....	7						
28415.0000 .....	15,17						
28417.0000 .....	15,19						
28446.0000 .....	15,17						
28447.0000 .....	15,17						
28450.0000 .....	15,17						
28451.0000 .....	15,17						
28452.0000 .....	15,17						
28751.0000 .....	21,23						
28754.0000 .....	13						
28755.1000 .....	15,19						
28755.1001 .....	13						
28755.1002 .....	13						
28756.0000 .....	9,11,15,17						
28757.0000 .....	9,11						
28758.0000 .....	13						
28759.0000 .....	13						
28762.0000 .....	13						
28766.0000 .....	15,17						
28767.1000 .....	15,17						
28769.0001 .....	15,17						
28770.0000 .....	15,17						