

# BUNN® AXIOM® BrewWISE®



## SERVICE SUPPLEMENT

TO 39132.0000

### BUNN-O-MATIC CORPORATION

POST OFFICE BOX 3227

SPRINGFIELD, ILLINOIS 62708-3227

PHONE: (217) 529-6601 FAX: (217) 529-6644



## **BUNN-O-MATIC COMMERCIAL PRODUCT WARRANTY**

Bunn-O-Matic Corp. ("BUNN") warrants equipment manufactured by it as follows:

- 1) Airpots, thermal carafes, decanters, GPR servers, iced tea/coffee dispensers, MCP/MCA pod brewers thermal servers and Thermofresh servers (mechanical and digital)- 1 year parts and 1 year labor.
- 2) All other equipment - 2 years parts and 1 year labor plus added warranties as specified below:
  - a) Electronic circuit and/or control boards - parts and labor for 3 years.
  - b) Compressors on refrigeration equipment - 5 years parts and 1 year labor.
  - c) Grinding burrs on coffee grinding equipment to grind coffee to meet original factory screen sieve analysis - parts and labor for 4 years or 40,000 pounds of coffee, whichever comes first.

These warranty periods run from the date of installation BUNN warrants that the equipment manufactured by it will be commercially free of defects in material and workmanship existing at the time of manufacture and appearing within the applicable warranty period. This warranty does not apply to any equipment, component or part that was not manufactured by BUNN or that, in BUNN's judgment, has been affected by misuse, neglect, alteration, improper installation or operation, improper maintenance or repair, non periodic cleaning and descaling, equipment failures related to poor water quality, damage or casualty. In addition, the warranty does not apply to replacement of items subject to normal use including but not limited to user replaceable parts such as seals and gaskets. This warranty is conditioned on the Buyer 1) giving BUNN prompt notice of any claim to be made under this warranty by telephone at (217) 529-6601 or by writing to Post Office Box 3227, Springfield, Illinois 62708-3227; 2) if requested by BUNN, shipping the defective equipment prepaid to an authorized BUNN service location; and 3) receiving prior authorization from BUNN that the defective equipment is under warranty.

**THE FOREGOING WARRANTY IS EXCLUSIVE AND IS IN LIEU OF ANY OTHER WARRANTY, WRITTEN OR ORAL, EXPRESS OR IMPLIED, INCLUDING, BUT NOT LIMITED TO, ANY IMPLIED WARRANTY OF EITHER MERCHANTABILITY OR FITNESS FOR A PARTICULAR PURPOSE.** The agents, dealers or employees of BUNN are not authorized to make modifications to this warranty or to make additional warranties that are binding on BUNN. Accordingly, statements by such individuals, whether oral or written, do not constitute warranties and should not be relied upon.

If BUNN determines in its sole discretion that the equipment does not conform to the warranty, BUNN, at its exclusive option while the equipment is under warranty, shall either 1) provide at no charge replacement parts and/or labor (during the applicable parts and labor warranty periods specified above) to repair the defective components, provided that this repair is done by a BUNN Authorized Service Representative; or 2) shall replace the equipment or refund the purchase price for the equipment.

**THE BUYER'S REMEDY AGAINST BUNN FOR THE BREACH OF ANY OBLIGATION ARISING OUT OF THE SALE OF THIS EQUIPMENT, WHETHER DERIVED FROM WARRANTY OR OTHERWISE, SHALL BE LIMITED, AT BUNN'S SOLE OPTION AS SPECIFIED HEREIN, TO REPAIR, REPLACEMENT OR REFUND.**

In no event shall BUNN be liable for any other damage or loss, including, but not limited to, lost profits, lost sales, loss of use of equipment, claims of Buyer's customers, cost of capital, cost of down time, cost of substitute equipment, facilities or services, or any other special, incidental or consequential damages.

392, A Partner You Can Count On, Air Infusion, AutoPOD, AXIOM, BrewLOGIC, BrewMETER, Brew Better Not Bitter, BrewWISE, BrewWIZARD, BUNN Espresso, BUNN Family Gourmet, BUNN Gourmet, BUNN Pour-O-Matic, BUNN, BUNN with the stylized red line, BUNNlink, Bunn-O-Matic, Bunn-O-Matic, BUNNserve, BUNNSERVE with the stylized wrench design, Cool Froth, DBC, Dr. Brew stylized Dr. design, Dual, Easy Pour, EasyClear, EasyGard, FlavorGard, Gourmet Ice, Gourmet Juice, High Intensity, iMIX, Infusion Series, Intellisteam, My Café, Phase Brew, PowerLogic, Quality Beverage Equipment Worldwide, Respect Earth, Respect Earth with the stylized leaf and coffee cherry design, Safety-Fresh, savemycoffee.com, Scale-Pro, Silver Series, Single, Smart Funnel, Smart Hopper, SmartWAVE, Soft Heat, SplashGard, The Mark of Quality in Beverage Equipment Worldwide, ThermoFresh, Titan, trifacta, Velocity Brew, Air Brew, Beverage Bar Creator, Beverage Profit Calculator, Brew better, not bitter., BUNNSource, Coffee At Its Best, Cyclonic Heating System, Daypart, Digital Brewer Control, Element, Milk Texturing Fusion, Nothing Brews Like a BUNN, Pouring Profits, Signature Series, Sure Tamp, Tea At Its Best, The Horizontal Red Line, Ultra are either trademarks or registered trademarks of Bunn-O-Matic Corporation. The commercial trifacta® brewer housing configuration is a trademark of Bunn-O-Matic Corporation.

**CONTENTS**

**Warranty ..... 2**  
**Contents ..... 3**  
**Programming ..... 4**  
**Schematic Wiring Diagram ..... 10**

# PROGRAMMING

## PROGRAMMING THE BREWER

The information in this manual covers only the differences between this model and the standard Axiom. Access to service level 4 is same as standard Axiom.

The following function screens are in order of appearance. Each screen will have instructions on how to access, and the procedures to program the various functions of the brewer.

### IMPORTANT PROGRAMMING NOTES

#### - READ CAREFULLY -

To exit the programming mode at any time, press and release "ENABLE BREW ON/OFF" switch located on the front switch panel. The display will return to the MAIN SCREEN.

If none of the programming switches are pressed within one minute during the setup of the brewer, the programming of the function screen that is being set will be exited and the display will return to the MAIN SCREEN.

Always remember to place an empty server and funnel under the sprayhead when operating the brewer during the set-up of PULSE BREW, CALIBRATE FLOW and testing the brew valve in TEST OUTPUTS.

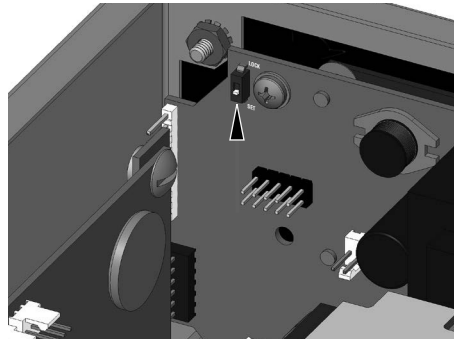
### PROGRAMMING LOCKOUT SWITCH

#### (Mounted on main control board)

This switch can be set to prevent access to the programming settings of the brewer. Once all the correct brew settings are programmed, the operator can set the switch to the "LOCK" position to prohibit anyone from changing the settings. With the switch in the "LOCK" position, the programming menus can still be accessed to view the current settings. However, no changes will be saved.

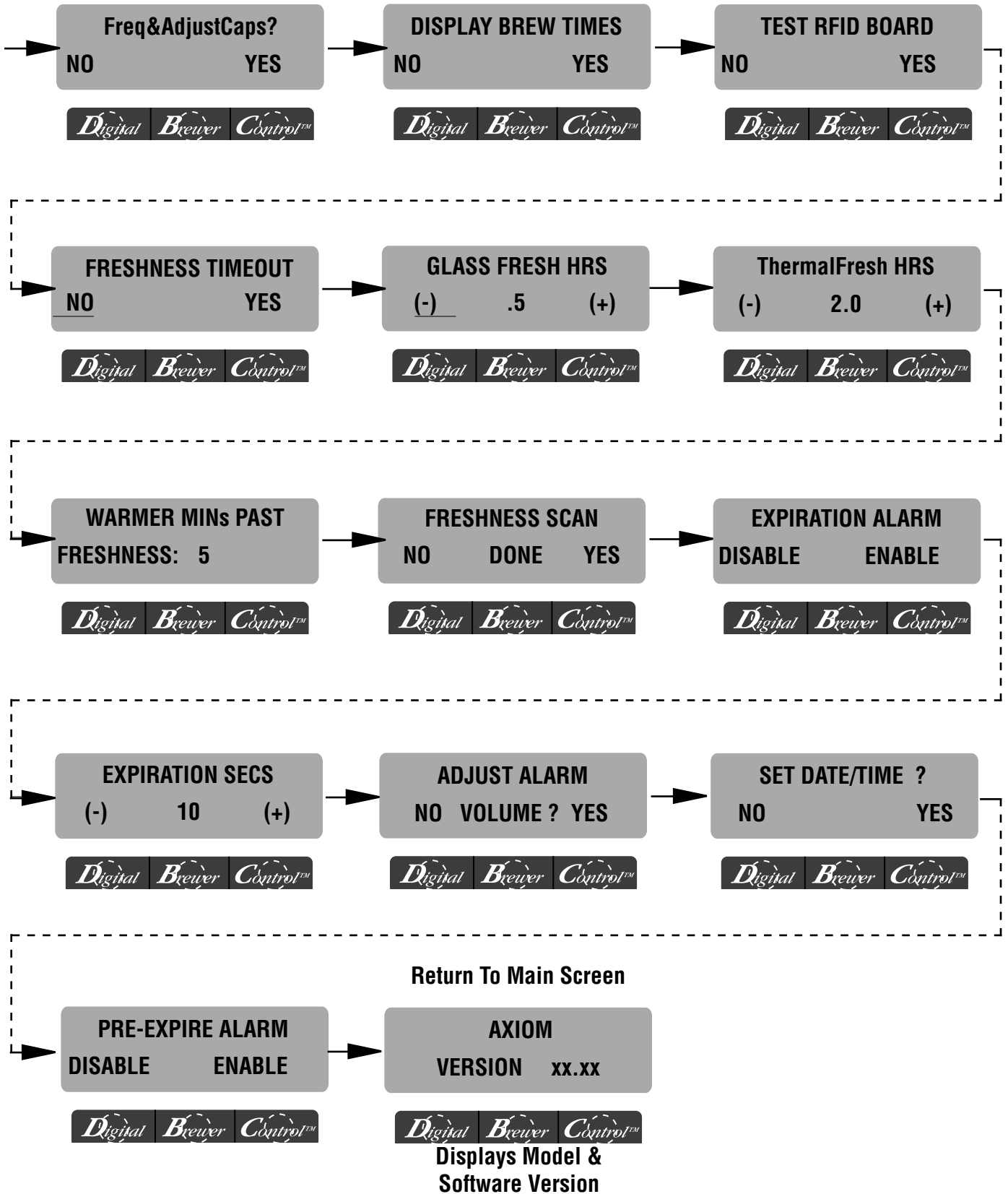


**Disconnect brewer from power source before removing any panel!**



**Push and hold left "hidden" button to access service program modes.**

# SERVICE PROGRAMMING



## SERVICE PROGRAMMING

**Freq&AdjustCaps?**  
NO YES

*Digital Brewer Control™*

125.0 0000 \* TOP F  
125.0 0000 \* TOP R

*Digital Brewer Control™*

125.0 0000 \* MAIN

*Digital Brewer Control™*

**DISPLAY BREW TIMES**  
NO YES

*Digital Brewer Control™*

MAY 10 2010  
MAIN 10:00:00 AM

*Digital Brewer Control™*

**TEST RFID BOARD**  
NO YES

*Digital Brewer Control™*

**RFID CIRCUIT BOARD**  
VERSION # xx.xx

*Digital Brewer Control™*

This allows you to monitor the frequency of the warmer(s) sensing coils.

Also allows you to monitor the adjustment capacitors, which are used to keep the coil frequency at it's nominal value (125.0 khz)

Use the "Brewer" button to toggle between screens.

Press right hidden button to advance to next function.

This allows you to read the "age" of any brewed batch in a particular carafe (as long as it is equipped with an RFID chip). The sensor coil will read the chip and brewer will display time of day it was brewed.

This screen will automatically scroll through all warmers.

Press right hidden button to advance to next function.

This allows you to monitor individual sensing coils and RFID board.

**CONTINUED**

## SERVICE PROGRAMMING

**PRESS ANY SWITCH  
TO EXIT**

*Digital Brewer Control™*

**10:00:00 AM**

M  TF  TR

*Digital Brewer Control™*

**GLASS FRESH HRS**

(-) .5 (+)

*Digital Brewer Control™*

**ThermalFresh HRS**

(-) 2.0 (+)

*Digital Brewer Control™*

**WARMER MINs PAST  
FRESHNESS: 5**

*Digital Brewer Control™*

**FRESHNESS SCAN**

NO DONE YES

*Digital Brewer Control™*

**EXPIRATION ALARM**

DISABLE ENABLE

*Digital Brewer Control™*

If a carafe is placed on a particular warmer, a "box" will appear next to it's indicator. If the box is filled (solid) it's not expired yet. If the box is empty, the time is expired. See example: MAIN = expired; Top Front = not expired; Top Rear = expired.

Press right hidden button to advance to next function.

Enables the "FRESHNESS ALERT!" message and sets the expiration time. The expiration time is the amount of time the product is allowed to sit in the glass decanter before an alert message is displayed.

DEFAULT: .5

Range: OFF/0.5 - 4.0 hrs

Enables the "FRESHNESS ALERT!" message and sets the expiration time. The expiration time is the amount of time the product is allowed to sit in the thermal server before an alert message is displayed.

DEFAULT: 2.0

Range: OFF/0.5 - 4.0 hrs

Sets the amount of time the warmers will turn off after an alert message is displayed. DEFAULT: 5

Range: OFF/1 - 30 min

Allows brewer to continually scan the warmer sensor coils and display freshness times.

Enable/Disable beeper.

**CONTINUED**

## SERVICE PROGRAMMING

**EXPIRATION SECS**  
(-) 10 (+)

*Digital Brewer Control™*

Sets the amount of delay between alarm beeps.

**ADJUST ALARM**  
NO VOLUME ? YES

*Digital Brewer Control™*

Select "YES" to adjust beeper volume.

**ADJUST ALARM 5**  
- [|||||] [|||||] +

*Digital Brewer Control™*

Press "+" to increase volume, or "-" to decrease.

**SET DATE/TIME ?**  
NO YES

*Digital Brewer Control™*

Select "YES" to set date and/or time.

**YEAR 2010**  
(-) DONE (+)

*Digital Brewer Control™*

Press "+" to scroll year forward, or "-" to scroll year back.

**MONTH MAY**  
(-) DONE (+)

*Digital Brewer Control™*

Press "+" to scroll month forward, or "-" to scroll month back.

**DAY 10**  
(-) DONE (+)

*Digital Brewer Control™*

Press "+" to scroll day forward, or "-" to scroll day back.

**CONTINUED**



## SERVICE PROGRAMMING

**HOUR 10 AM**  
(-) **DONE** (+)

*Digital* *Be*ver *Control™*

**MINUTE 00**  
(-) **DONE** (+)

*Digital* *Be*ver *Control™*

**SECOND 00**  
(-) **DONE** (+)

*Digital* *Be*ver *Control™*

**PRE-EXPIRE ALARM**  
**DISABLE      ENABLE**

*Digital* *Be*ver *Control™*

**EXIT**

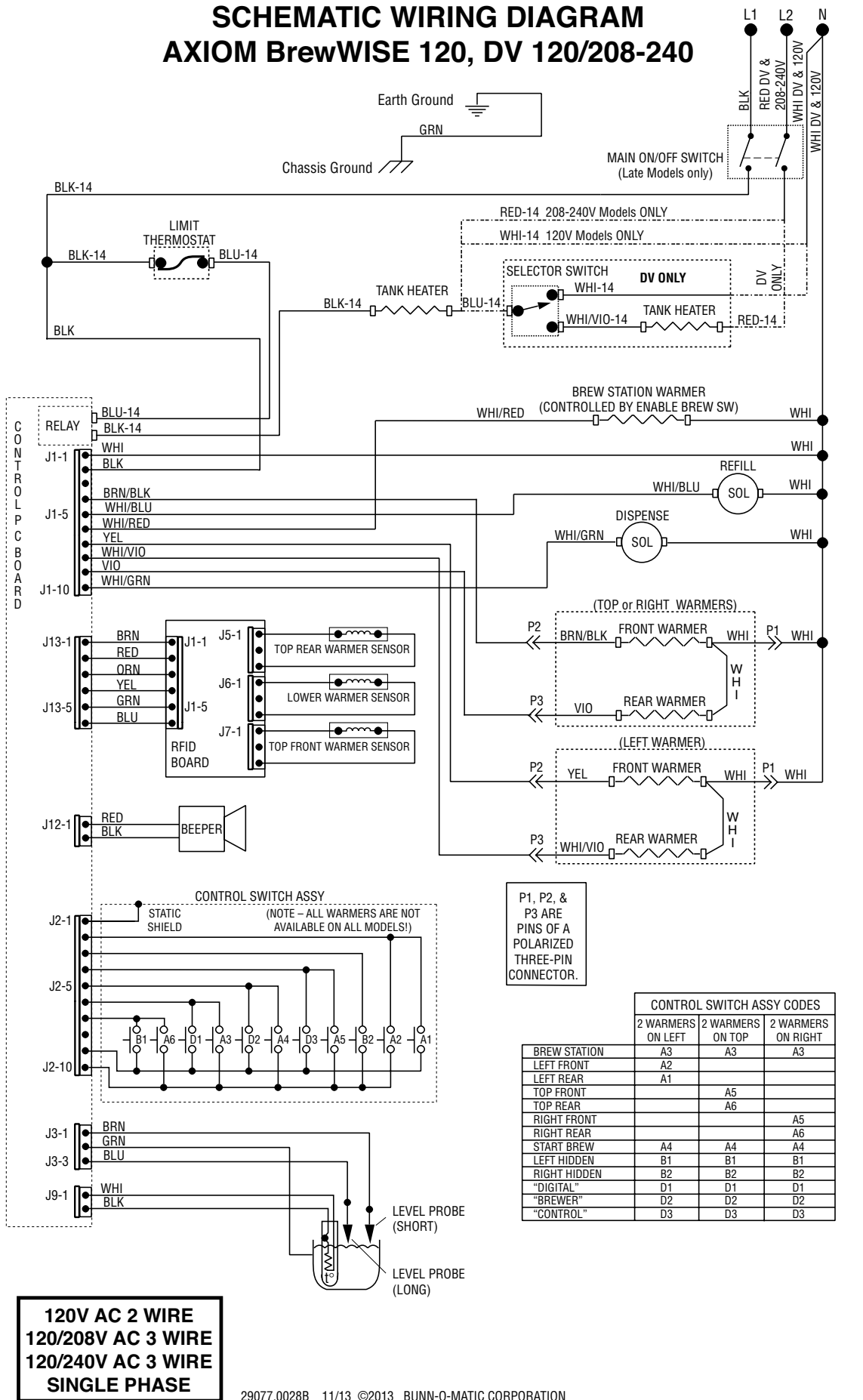
Press "+" to scroll hour forward, or "-" to scroll hour back.

Press "+" to scroll minute forward, or "-" to scroll minute back.

Press "+" to scroll seconds forward, or "-" to scroll seconds back.

Enable/disable the 5 minute warning beep for a carafe about to expire.

# SCHEMATIC WIRING DIAGRAM AXIOM BrewWISE 120, DV 120/208-240



**120V AC 2 WIRE**  
**120/208V AC 3 WIRE**  
**120/240V AC 3 WIRE**  
**SINGLE PHASE**