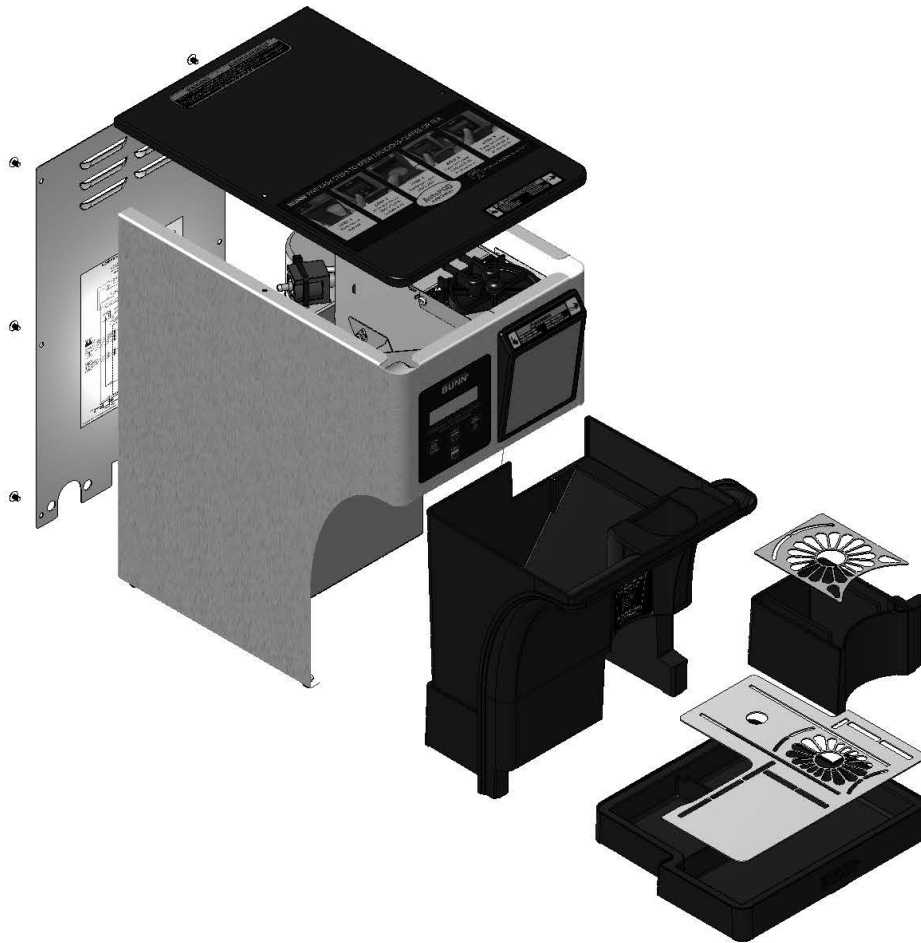


# BUNN® AutoPOD™ BREWER



## ILLUSTRATED PARTS CATALOG

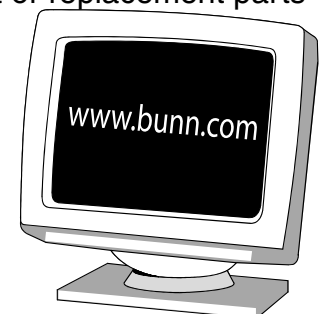
Designs, materials, weights, specifications, and dimensions for equipment or replacement parts are subject to change without notice.

**BUNN-O-MATIC CORPORATION**

POST OFFICE BOX 3227

SPRINGFIELD, ILLINOIS 62708-3227

PHONE: (217) 529-6601 FAX: (217) 529-6644



## BUNN-O-MATIC COMMERCIAL PRODUCT WARRANTY

Bunn-O-Matic Corp. ("BUNN") warrants equipment manufactured by it as follows:

- 1) Airpots, thermal carafes, decanters, GPR servers, iced tea/coffee dispensers, MCP/MCA pod brewers thermal servers and Thermofresh servers (mechanical and digital)- 1 year parts and 1 year labor.
- 2) All other equipment - 2 years parts and 1 year labor plus added warranties as specified below:
  - a) Electronic circuit and/or control boards - parts and labor for 3 years.
  - b) Compressors on refrigeration equipment - 5 years parts and 1 year labor.
  - c) Grinding burrs on coffee grinding equipment to grind coffee to meet original factory screen sieve analysis - parts and labor for 4 years or 40,000 pounds of coffee, whichever comes first.

These warranty periods run from the date of installation BUNN warrants that the equipment manufactured by it will be commercially free of defects in material and workmanship existing at the time of manufacture and appearing within the applicable warranty period. This warranty does not apply to any equipment, component or part that was not manufactured by BUNN or that, in BUNN's judgment, has been affected by misuse, neglect, alteration, improper installation or operation, improper maintenance or repair, non periodic cleaning and descaling, equipment failures related to poor water quality, damage or casualty. In addition, the warranty does not apply to replacement of items subject to normal use including but not limited to user replaceable parts such as seals and gaskets. This warranty is conditioned on the Buyer 1) giving BUNN prompt notice of any claim to be made under this warranty by telephone at (217) 529-6601 or by writing to Post Office Box 3227, Springfield, Illinois 62708-3227; 2) if requested by BUNN, shipping the defective equipment prepaid to an authorized BUNN service location; and 3) receiving prior authorization from BUNN that the defective equipment is under warranty.

**THE FOREGOING WARRANTY IS EXCLUSIVE AND IS IN LIEU OF ANY OTHER WARRANTY, WRITTEN OR ORAL, EXPRESS OR IMPLIED, INCLUDING, BUT NOT LIMITED TO, ANY IMPLIED WARRANTY OF EITHER MERCHANTABILITY OR FITNESS FOR A PARTICULAR PURPOSE.** The agents, dealers or employees of BUNN are not authorized to make modifications to this warranty or to make additional warranties that are binding on BUNN. Accordingly, statements by such individuals, whether oral or written, do not constitute warranties and should not be relied upon.

If BUNN determines in its sole discretion that the equipment does not conform to the warranty, BUNN, at its exclusive option while the equipment is under warranty, shall either 1) provide at no charge replacement parts and/or labor (during the applicable parts and labor warranty periods specified above) to repair the defective components, provided that this repair is done by a BUNN Authorized Service Representative; or 2) shall replace the equipment or refund the purchase price for the equipment.

**THE BUYER'S REMEDY AGAINST BUNN FOR THE BREACH OF ANY OBLIGATION ARISING OUT OF THE SALE OF THIS EQUIPMENT, WHETHER DERIVED FROM WARRANTY OR OTHERWISE, SHALL BE LIMITED, AT BUNN'S SOLE OPTION AS SPECIFIED HEREIN, TO REPAIR, REPLACEMENT OR REFUND.**

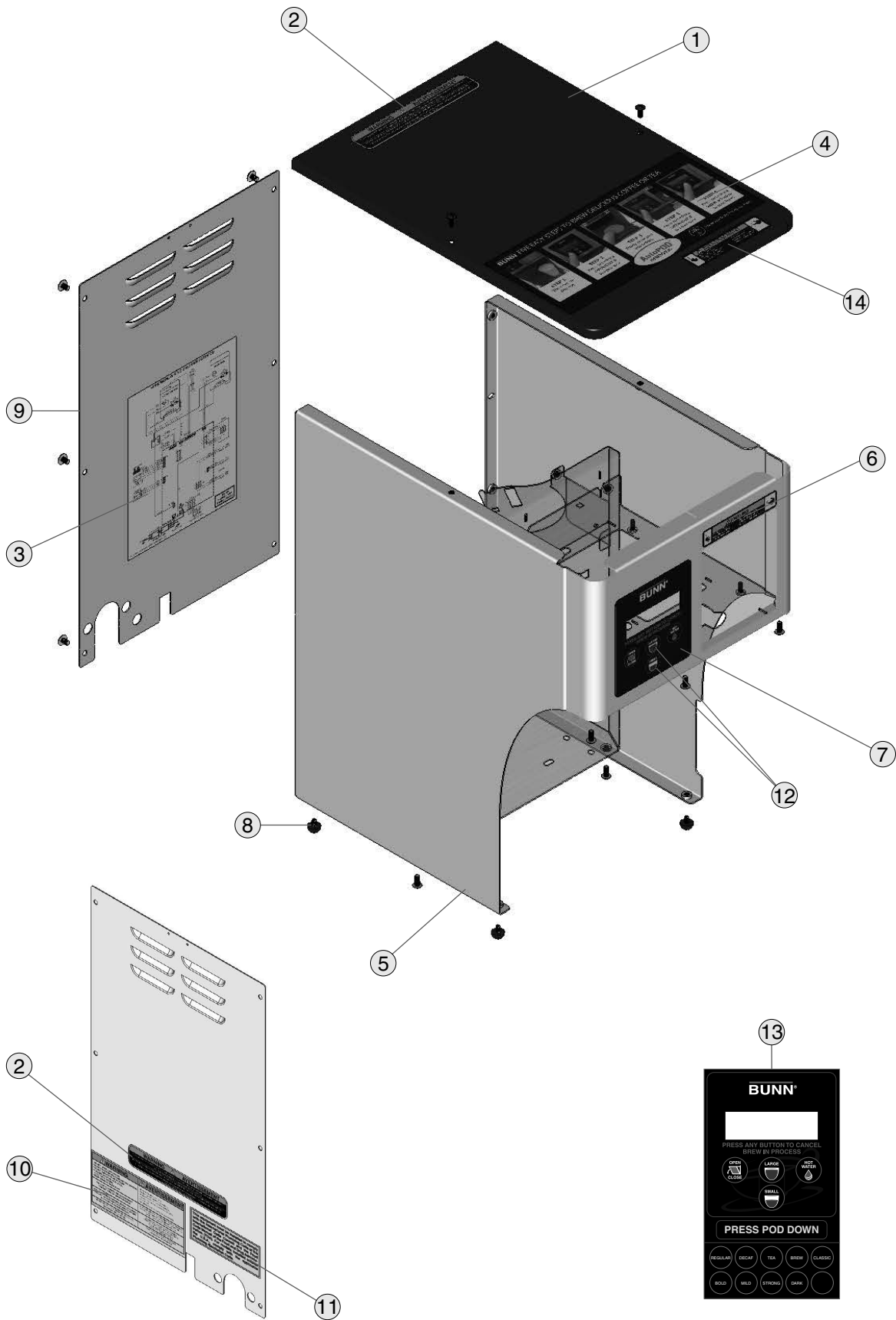
In no event shall BUNN be liable for any other damage or loss, including, but not limited to, lost profits, lost sales, loss of use of equipment, claims of Buyer's customers, cost of capital, cost of down time, cost of substitute equipment, facilities or services, or any other special, incidental or consequential damages.

392, A Partner You Can Count On, Air Infusion, AutoPOD, AXIOM, BrewLOGIC, BrewMETER, Brew Better Not Bitter, BrewWISE, BrewWIZARD, BUNN Espresso, BUNN Family Gourmet, BUNN Gourmet, BUNN Pour-O-Matic, BUNN, BUNN with the stylized red line, BUNNlink, Bunn-O-Matic, Bunn-O-Matic, BUNNserve, BUNNSERVE with the stylized wrench design, Cool Froth, DBC, Dr. Brew stylized Dr. design, Dual, Easy Pour, EasyClear, EasyGard, FlavorGard, Gourmet Ice, Gourmet Juice, High Intensity, iMIX, Infusion Series, Intellisteam, My Café, Phase Brew, PowerLogic, Quality Beverage Equipment Worldwide, Respect Earth, Respect Earth with the stylized leaf and coffee cherry design, Safety-Fresh, savemycoffee.com, Scale-Pro, Silver Series, Single, Smart Funnel, Smart Hopper, SmartWAVE, Soft Heat, SplashGard, The Mark of Quality in Beverage Equipment Worldwide, ThermoFresh, Titan, trifecta, Velocity Brew, Air Brew, Beverage Bar Creator, Beverage Profit Calculator, Brew better, not bitter., BUNNSource, Coffee At Its Best, Cyclonic Heating System, Daypart, Digital Brewer Control, Element, Nothing Brews Like a BUNN, Pouring Profits, Signature Series, Tea At Its Best, The Horizontal Red Line, Ultra are either trademarks or registered trademarks of Bunn-O-Matic Corporation. The commercial trifecta® brewer housing configuration is a trademark of Bunn-O-Matic Corporation.

## TABLE OF CONTENTS

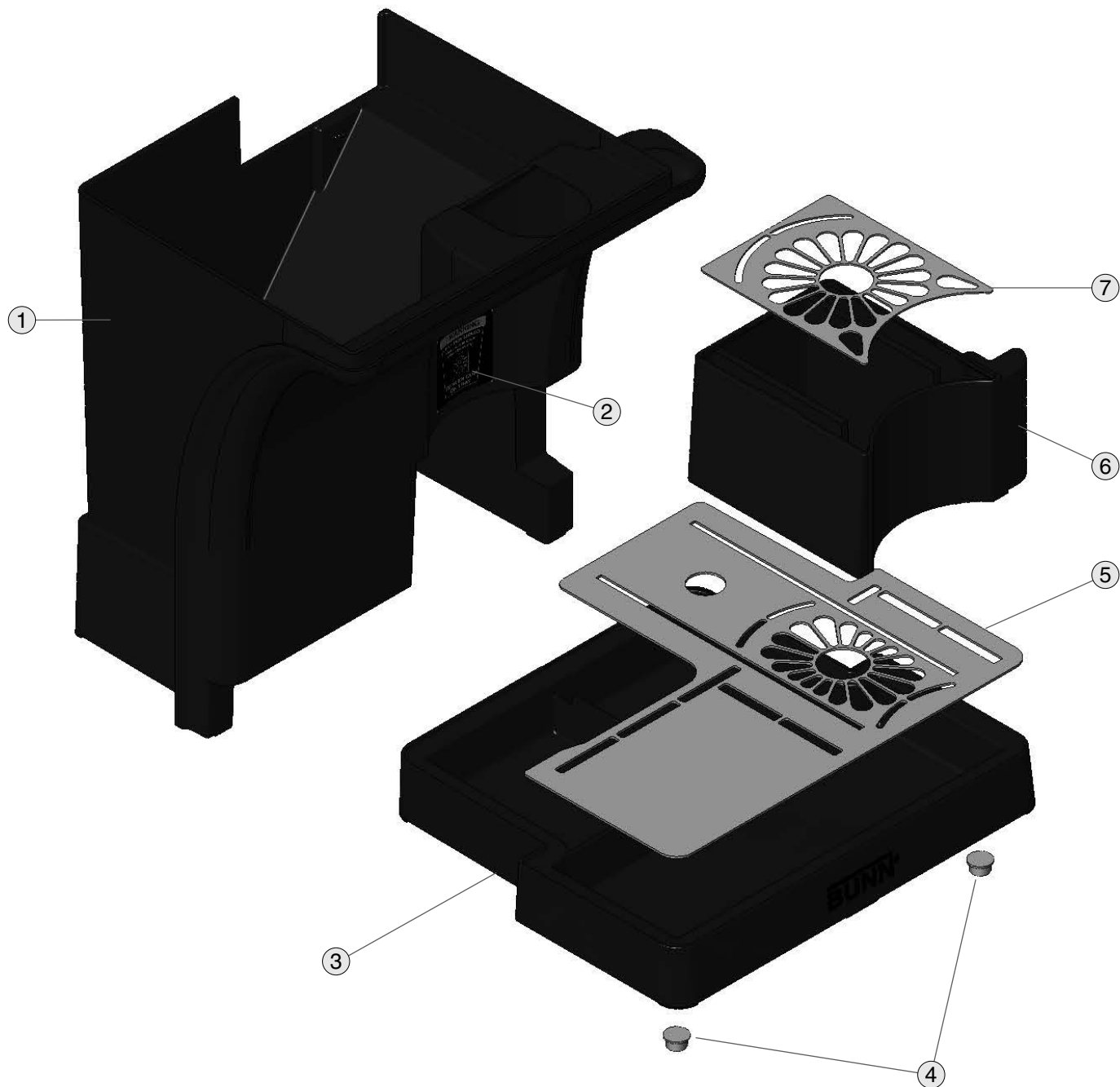
COVERS AND PANELS .....	4
DRIP TRAY AND BIN .....	6
ORIGINAL EJECTOR ASSEMBLY .....	8
REPLACEMENT EJECTOR ASSEMBLY .....	10
TANKS AND RELATED COMPONENTS .....	14
PLUMBING & BOOSTER PUMP .....	16
ELECTRICAL COMPONENTS.....	20
NUMERICAL INDEX .....	22

Fraction	Decimal		Fraction	Decimal
<b>1/16</b>	0.063		<b>9/16</b>	0.563
<b>1/8</b>	0.125		<b>5/8</b>	0.625
<b>3/16</b>	0.188		<b>11/16</b>	0.688
<b>1/4</b>	0.250		<b>3/4</b>	0.750
<b>5/16</b>	0.313		<b>13/16</b>	0.813
<b>3/8</b>	0.375		<b>7/8</b>	0.875
<b>7/16</b>	0.438		<b>15/16</b>	0.938
<b>1/2</b>	0.500		<b>1</b>	1.000



## COVERS AND PANELS

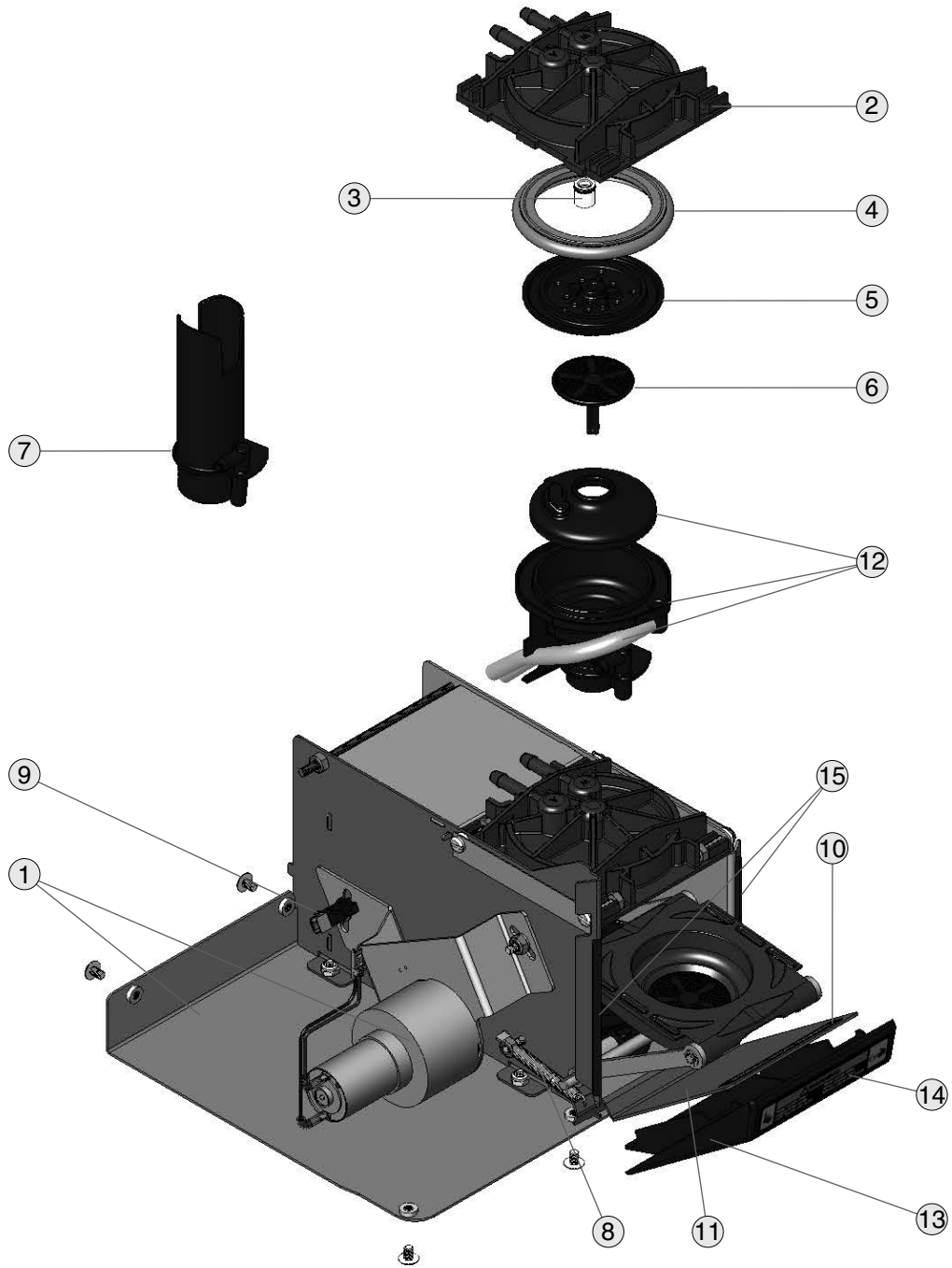
ITEM	PART NO.	QTY.	DESCRIPTION
1	40598.1000	1	Cover, Top (Includes Item # 2)
	01382.0002	2	Screw, Trh Sst Blk Oxd 6-32x.38
2	37881.7002	2	Decal, No User Serviceable Parts
3	41164.0000	1	Schematic 120v
4	41176.0000	1	Decal, Removable, 5-Step (Optional)
	41176.1800	1	Decal, Removable, 5-Step (Spanish)
5	41234.0000	1	Housing
	01382.0000	5	Screw, Trh Sltd Sst 6-32x.38
6	41177.0000*	1	Decal, Warning-Early Models (Not available - Order 41177.0001)
7	41145.0001*	1	Decal, Switch (Not Available Order # 13)
8	47979.0000	4	Bumper
9	40664.1000*	1	Cover, Back (Includes Item # 2,10,11) Valve Mnt. Horizontally (Obsolete)
	40664.1003	1	Cover, Back (Includes Item # 2,10,11) Valve Mounted Vertically (Shown)
	01308.0000	6	Screw, Trh Sltd Sst 6-32x.38
10	00656.0001	1	Decal, Comply To Plumbing Code
11	00986.7000	1	Decal, Warning Electrical
12	41145.0003*	1	Decals, Flavor Labels (Not Available Order # 13)
13	41145.0000	1	Decal Sheet, Switch/Flavor Labels
14	41177.7000	1	Decal, Warning-Pinch (French)



<b>DRIP TRAY AND BIN</b>			
<b>ITEM</b>	<b>PART NO.</b>	<b>QTY.</b>	<b>DESCRIPTION</b>
1	41156.1001	1	Bin Assembly (Includes Item # 2)
2	39474.0001	1	Decal, Cup Placement
3	41166.1000	1	Drip Tray Assy, With Feet (Includes # 4)
4	34466.0000	2	Foot, Rubber
5	40597.0002	1	Grate, Drip Tray
6	40595.0001	1	Booster
7	40646.0002	1	Grate, Booster

\* Indicates the part number listed is for reference only. See DESCRIPTION for possible service replacement.

**ORIGINAL TYPE MODIFIED**



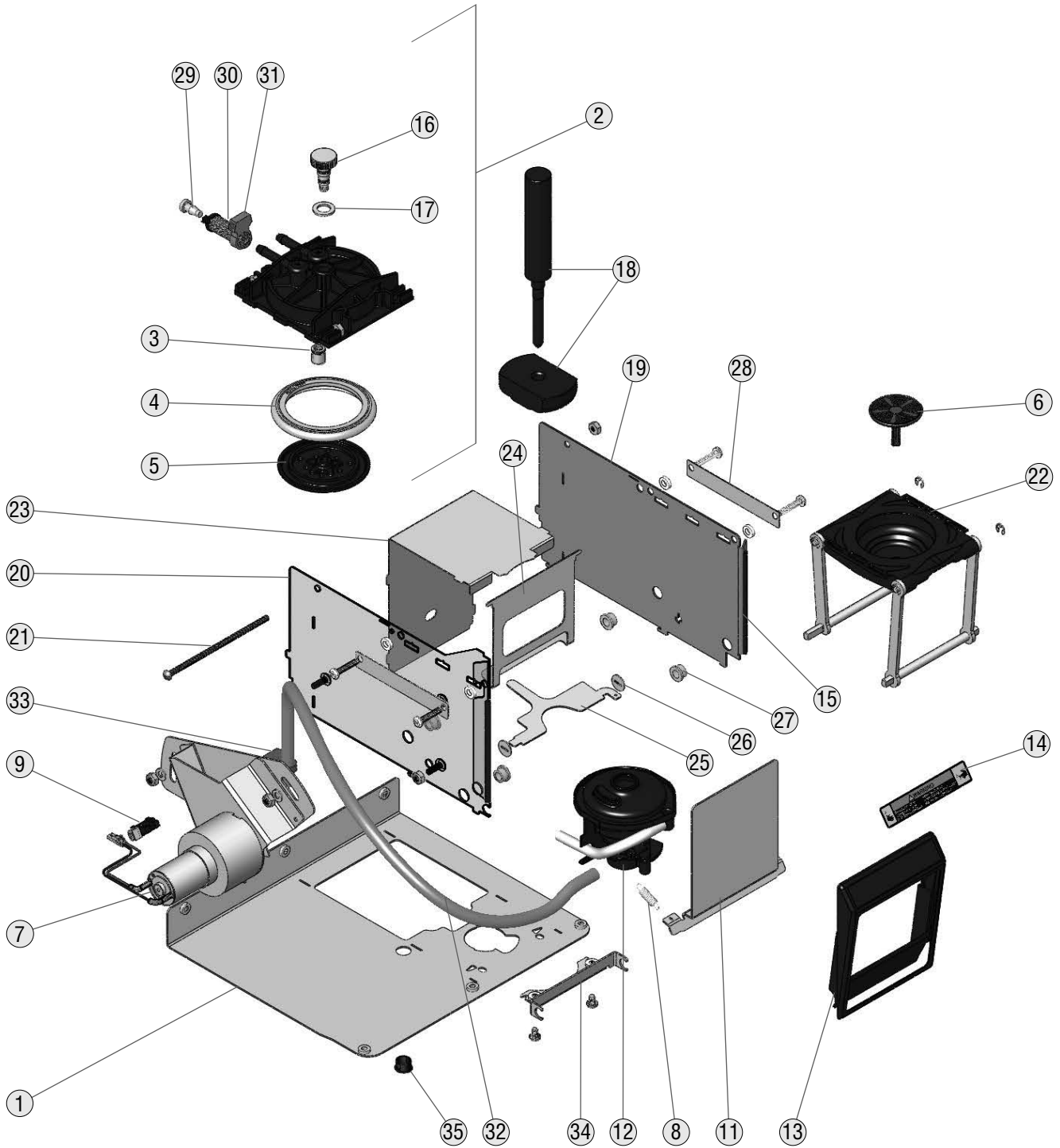


## ORIGINAL EJECTOR ASSEMBLY

ITEM	PART NO.	QTY.	DESCRIPTION
1	40603.1006	1	Ejector Assy (Includes Items 2 - 15)
	01308.0000	6	Screw, Trh Sltd Sst 6-32x.25
2	40590.0000	1	Sprayhead Assy. <b>(for use in <u>this</u> ejector assembly only)</b>
	01370.0002	4	Screw, Pnh Sltd Sst 8-32x.88
	00908.0000	4	Nut, Hex Sst 8-32
	20616.0000	4	Washer, Blk Nyl-.194 Idx.093 Thk
3	36378.0001	1	Valve, Check 2.5 Psi <b>(for use in <u>this</u> ejector assembly only)</b>
4	42310.0000	1	Seal, Sprayhead
5	36384.0000	1	Sprayhead
6	40806.1000	1	Pod Screen Assy
7	40593.0000*	1	Tube, Stream Guide (Obsolete, Order # 12)
8	41038.1000	2	Spring, Ext.
9	40601.0000	1	Photosensor
10	41145.0002*	1	Decal, Press Pod Down (Not Available, Order 41145.0000)
11	40585.1000	1	Door Kit (Includes Spring, Decal, and Instructions)
12	42476.1000	1	Kit, Stream Guide
	41113.0001*	1	Tubing, .188" x 4.0" (Not Available, Order # 16)
13	42525.1000	1	Kit, Bezel (Includes Decal)
14	41177.0001	1	Decal, Warning-Pinch/Hot Liquid
15	28366.0004*	2	Gasket 3.5" Lg. (Not Available, Order # 17)

**The Following Items Are Not Illustrated**

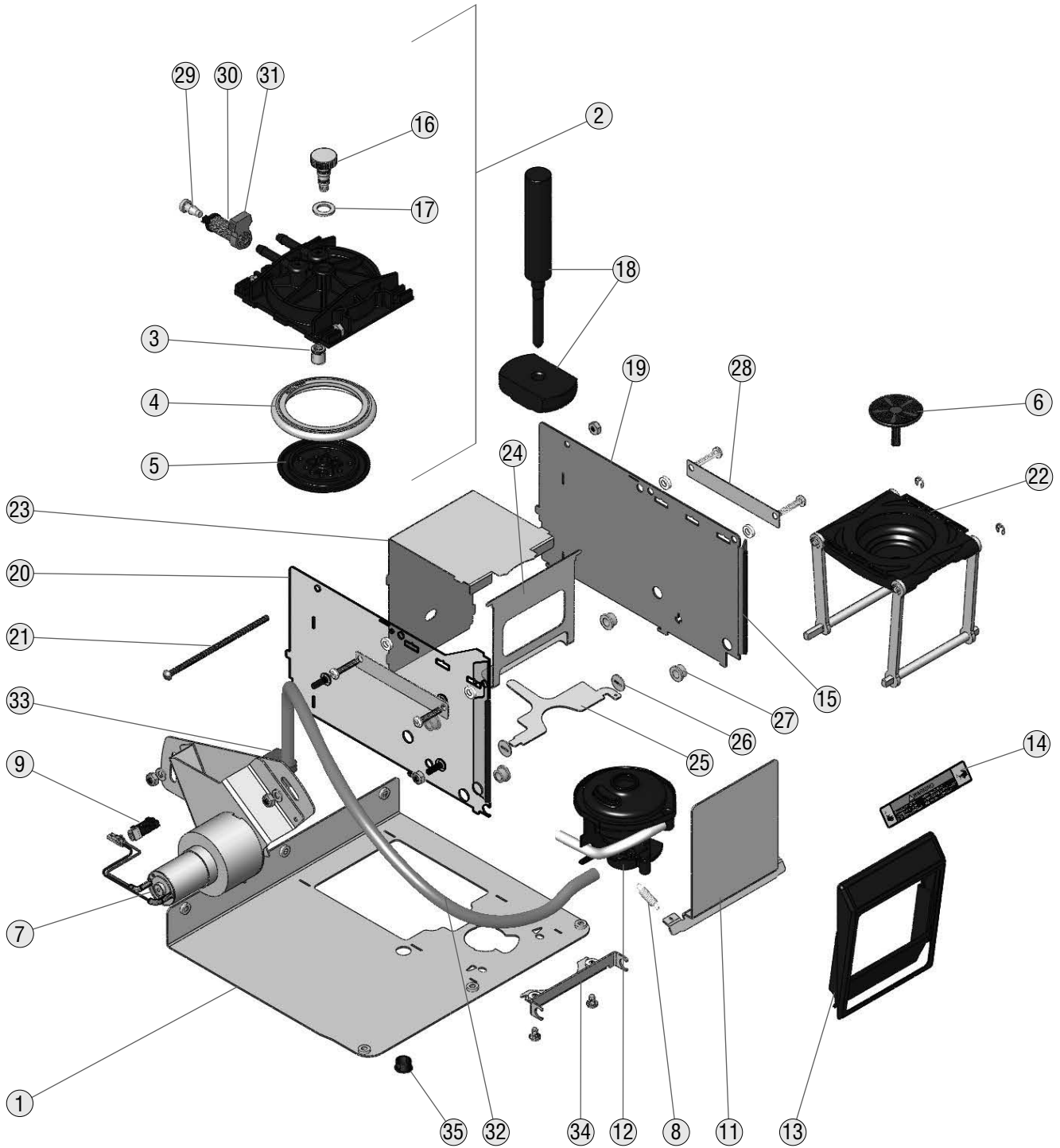
16	41113.1000	-	Tubing
17	28366.1000	-	Gasket 1 Foot
	28366.1001	-	Gasket 3 Feet
	28366.1002	-	Gasket 10 Feet



## REPLACEMENT EJECTOR ASSEMBLY

ITEM	PART NO.	QTY.	DESCRIPTION
1	43851.1000*	1	Floor Weldment (w/o Hinge Bracket) (No longer available)
	43851.1001	1	Floor Weldment (w/Hinge Bracket) Not Interchangeable
	01308.0000	6	Screw, Trh Sltd Sst 6-32x.25
2	43619.1001	1	Sprayhead Assy. (Includes # 3 - 5, 16, 17)
	00908.0000	4	Nut, Hex Sst 8-32
3	36379.1003	1	Check Valve <b>(for use in <u>this</u> ejector assembly only)</b>
4	42310.0000	1	Seal, Sprayhead
5	36384.1001	1	Sprayhead
6	40806.1000	1	Pod Screen Assy
7	41140.1001	1	Gearmotor Assembly <b>(<u>NOT</u> for use in MyCafe-AP)</b>
	01522.0001	2	Washer
	00991.0006	2	Nut
8	41038.1000	2	Spring
9	40601.0000	1	Photosensor
10	41145.0002*	1	Decal, Press Pod Down (Not Available, Order 41145.0000)
11	40585.1002	1	Door
12	42476.1000	1	Kit, Stream Guide
	41113.0001*	1	Tubing, .188" x 4.0" (Not Available, Order # 36)
13	42525.1000	1	Kit, Bezel (Includes Decal)
14	41177.0001	1	Decal, Warning-Pinch/Hot Liquid
15	28366.0004*	2	Gasket 3.5" Lg. (Not Available, Order # 37)
16	43550.1000	1	Kit, Sprayhead Screw .25-20 UNC (Includes o-rings)
17	44167.1000	1	Kit, Washer/O-Ring (Includes o-rings for item 16)
18	43891.1000	1	Kit, Alignment w/Instructions
19	43848.1000*	1	Kit, Right Side Panel (w/o Hinge Bracket) (No longer available)
	43848.1002	1	Kit, Right Side Panel (w/Hinge Bracket) Not Interchangeable
20	43849.1000*	1	Kit, Left Side Panel (w/o Hinge Bracket) (No longer available)
	43849.1001	1	Kit, Left Side Panel (w/Hinge Bracket) Not Interchangeable
21	01371.0000	1	Screw, RDH SLTD SST 8-32x4.0
	00991.0006	1	Nut
22	41141.1001	1	Pod Holder Assy, w/Linkage
	01403.0000	4	E-Ring, Ext.
23	40583.1003	1	Cover, Back-Ejector Assy.
24	40582.1001	1	Wiper
25	41046.1002	1	Lifter
26	41107.1001	2	Washer
27	40821.1000	4	Bearing

CONTINUED

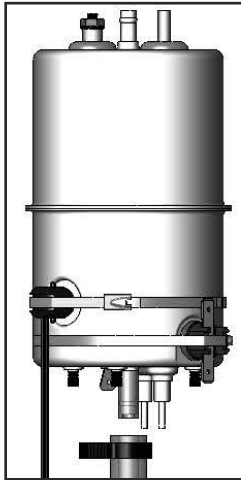


## REPLACEMENT EJECTOR ASSEMBLY

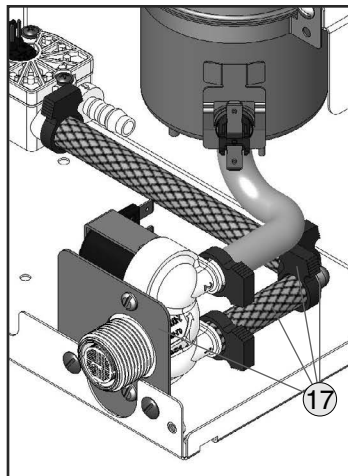
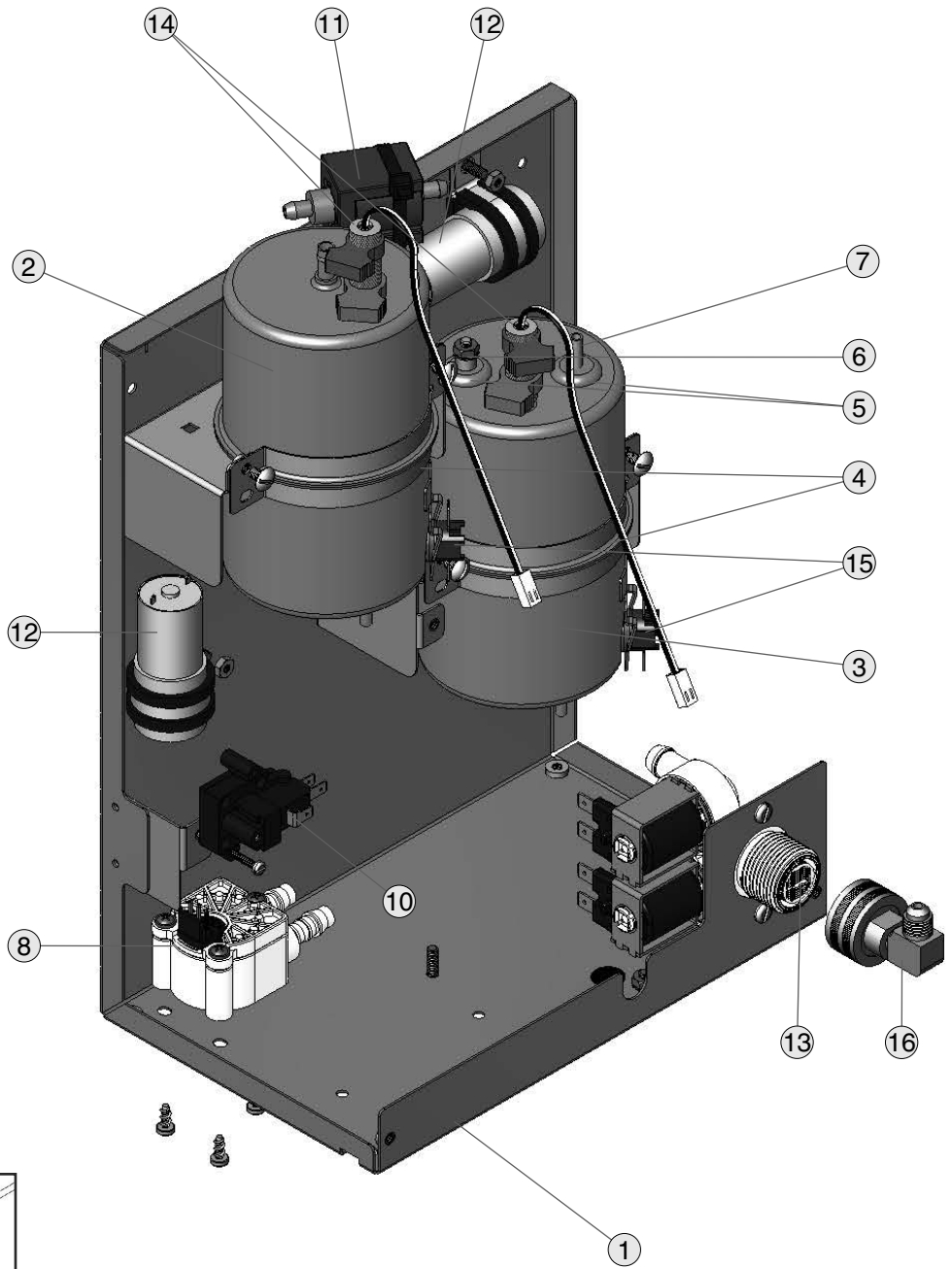
ITEM	PART NO.	QTY.	DESCRIPTION
28	41053.1000	2	Deflector
	01370.0002	4	Screw, Pnh Sltd Sst 8-32x.88
	20616.0000	4	Washer, Nyl-.194 Idx.093 thk
29	42806.0000	1	Plug
30	36629.0005*	1	Tube, Sil Bd Pt .188ID 1.4 LG (N/A Order Item # 38)
31	12422.0000	1	Clamp, Snp-6
32	36631.0018*	1	Tube, Sil Pt .188Id X 20.0Lg (Early Models) (N/A Order Item # 39)
33	12422.0003	1	Clamp, Snp-2
34	44789.1000	1	Bracket, Door Hinge (Later Models)
	45303.1000	2	SCREW, PNH SLTD W/SERR 8-32x.25 LKG
35	00669.0003	1	Plug, Hole-Nyl Blk .43 Hole Dia

**The Following Items Are Not Illustrated**

36	41113.1000	-	Tubing, .188" ID x .313" OD x 1 Foot
	41113.1001	-	Tubing, .188" ID x .313" OD x 3 Feet
	41113.1002	-	Tubing, .188" ID x .313" OD x 10 Feet
37	28366.1000	-	Gasket 1 Foot
	28366.1001	-	Gasket 3 Feet
	28366.1002	-	Gasket 10 Feet
38	36629.1000	-	Tubing, Braided .188" ID x .462" OD x 1 Foot
	36629.1001	-	Tubing, Braided .188" ID x .462" OD x 3 Feet
	36629.1002	-	Tubing, Braided .188" ID x .462" OD x 10 Feet
39	36631.1000	-	Tubing, .188" ID x .375" OD x 1 Foot
	36631.1001	-	Tubing, .188" ID x .375" OD x 3 Feet
	36631.1002	-	Tubing, .188" ID x .375" OD x 10 Feet
40	40603.1006	-	Ejector Assy (Includes Items 1 - 31) (w/Hinge Bracket)



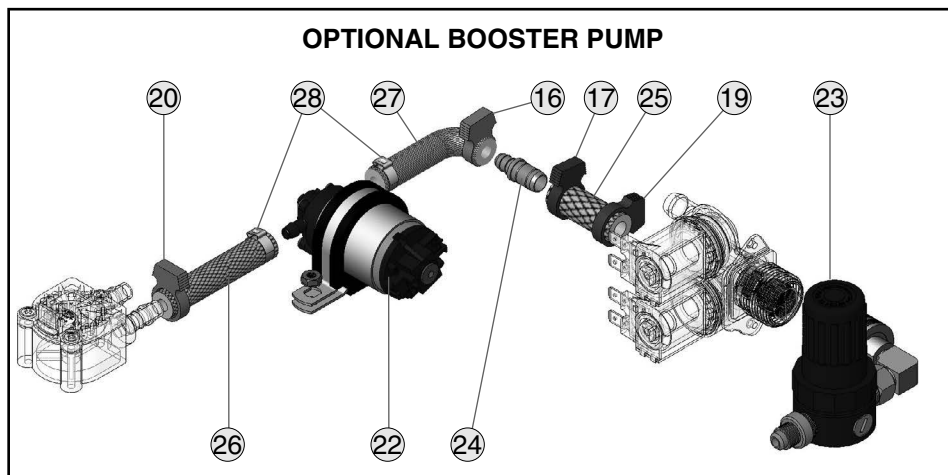
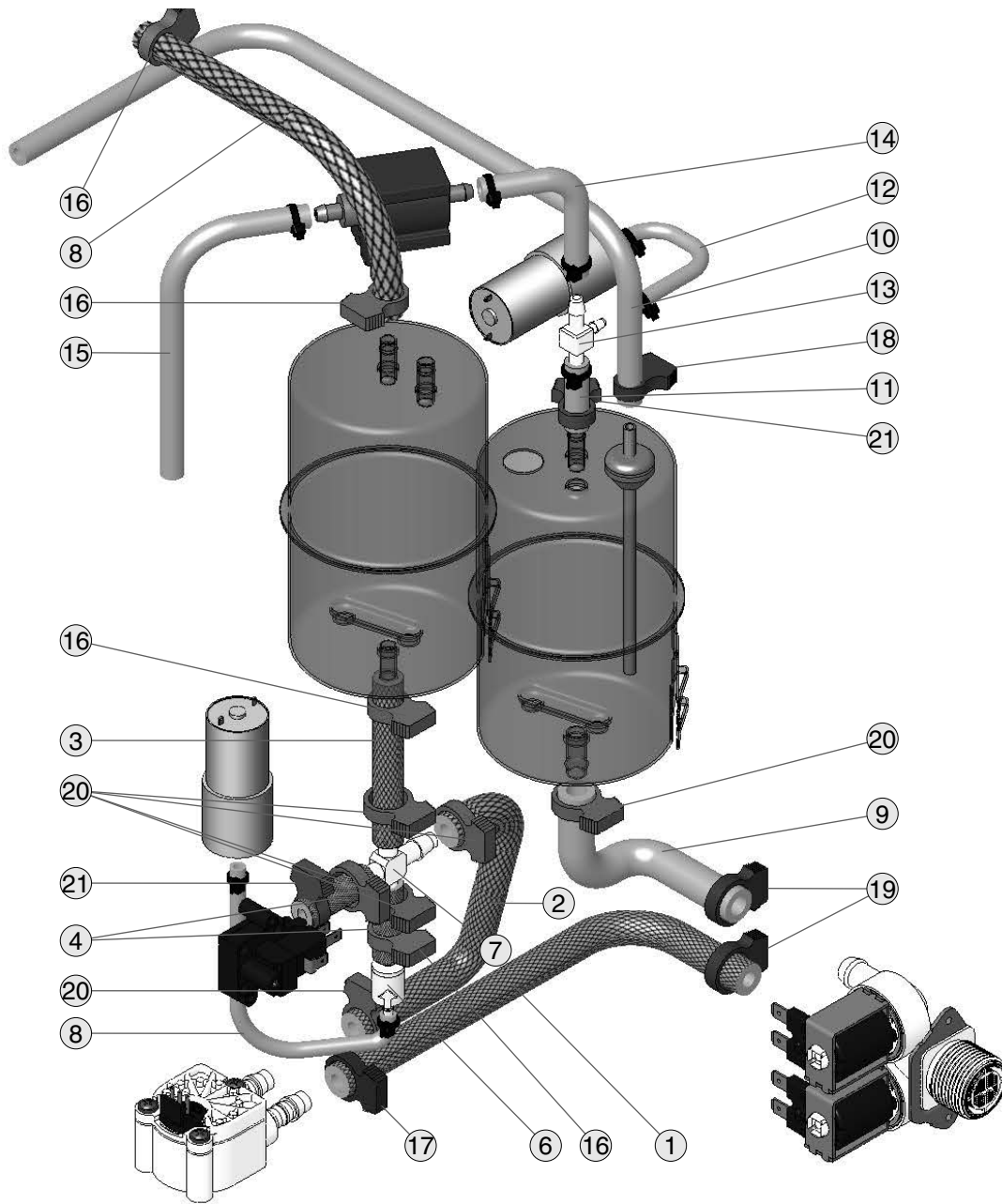
**OLD STYLE TANKS  
w/2 BANDS**



**WARNING: DO NOT USE NEW STYLE  
TEMPERATURE PROBES/TANKS UNLESS  
SOFTWARE HAS BEEN UPDATED TO  
VERSION 0.17 or HIGHER.**

## TANKS AND RELATED COMPONENTS

ITEM	PART NO.	QTY.	DESCRIPTION
1	-----	-	Panel, Component Mounting- See Electrical Section
2	41023.1000	1	Brew Tank Assy.
3	41021.1000	1	Hot Water Tank Assy.
4	40816.0000	2	Strap, Tank Retaining
	01308.0000	4	Screw, Trh Sltd Sst 6-32x.25
5	33201.0000	2	Grommet
6	40288.1000	1	Level Probe Kit
7	41101.0000	1	Tube, SST
8	40752.0000	1	Flow Meter
	41103.0000	3	Screw, Pnh Phh #8 X .38
10	40820.0000	1	Pressure Switch
	01304.0000	1	Screw, Pnh Sltd-Sst #4-40 X.75
11	39984.1001	1	Vent Valve, W/Cable Ties
12	38316.1000	2	Air Pump Assy.
	40935.0000	2	Clamp
	00906.0000	8	Nut # 6-32
13	41133.1000	1	Inlet Valve Assy. 120V
	43278.1000	1	Inlet Valve Assy. 230V
	32283.0000	2	Screw, Sst Sltd Pnh M4 X 6mm
14	28891.1009	2	Temp Probe Kit (See Warning - Previous Page)
	36629.0003*	2	Tube, Sil Bd Pt .188ID 1.25LG
	12422.0011	2	Clamp, SNP-4 (Upper)
	12422.0000	2	Clamp, SNP-6 (Lower)
15	29329.1000	2	Limit Thermostat Kit
16	37297.1006	1	Elbow, .25 FLR X .75 Hose THD
17	41922.0000	1	Kit, Valve Mount Vertical (Includes: Plate, tubes, clamps, & Rear Cover)
	41115.0003*	1	Tube, Braided .312ID X 2.0LG
	40348.0000	1	Elbow, .375 Barb
<b>The Following Items Are Not Illustrated</b>			
18	41021.1100	1	Retrofit Tank Kit (Replace Old Style Tanks, See Warning - Previous Page)

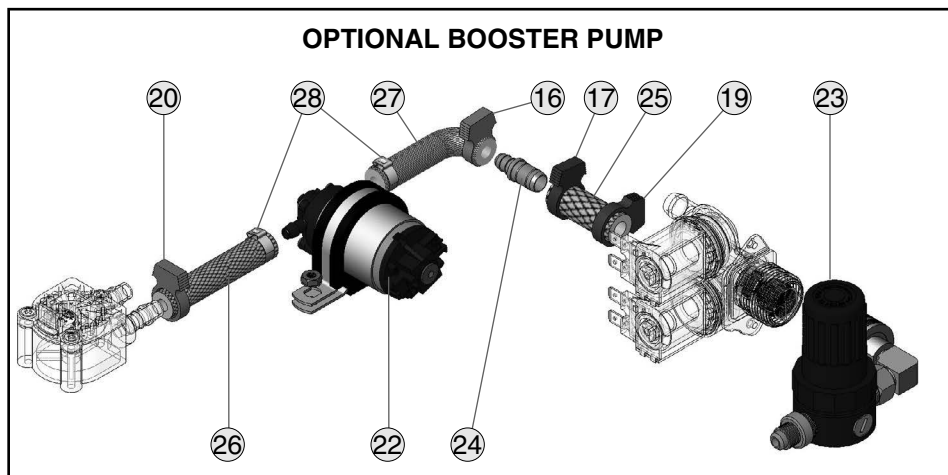
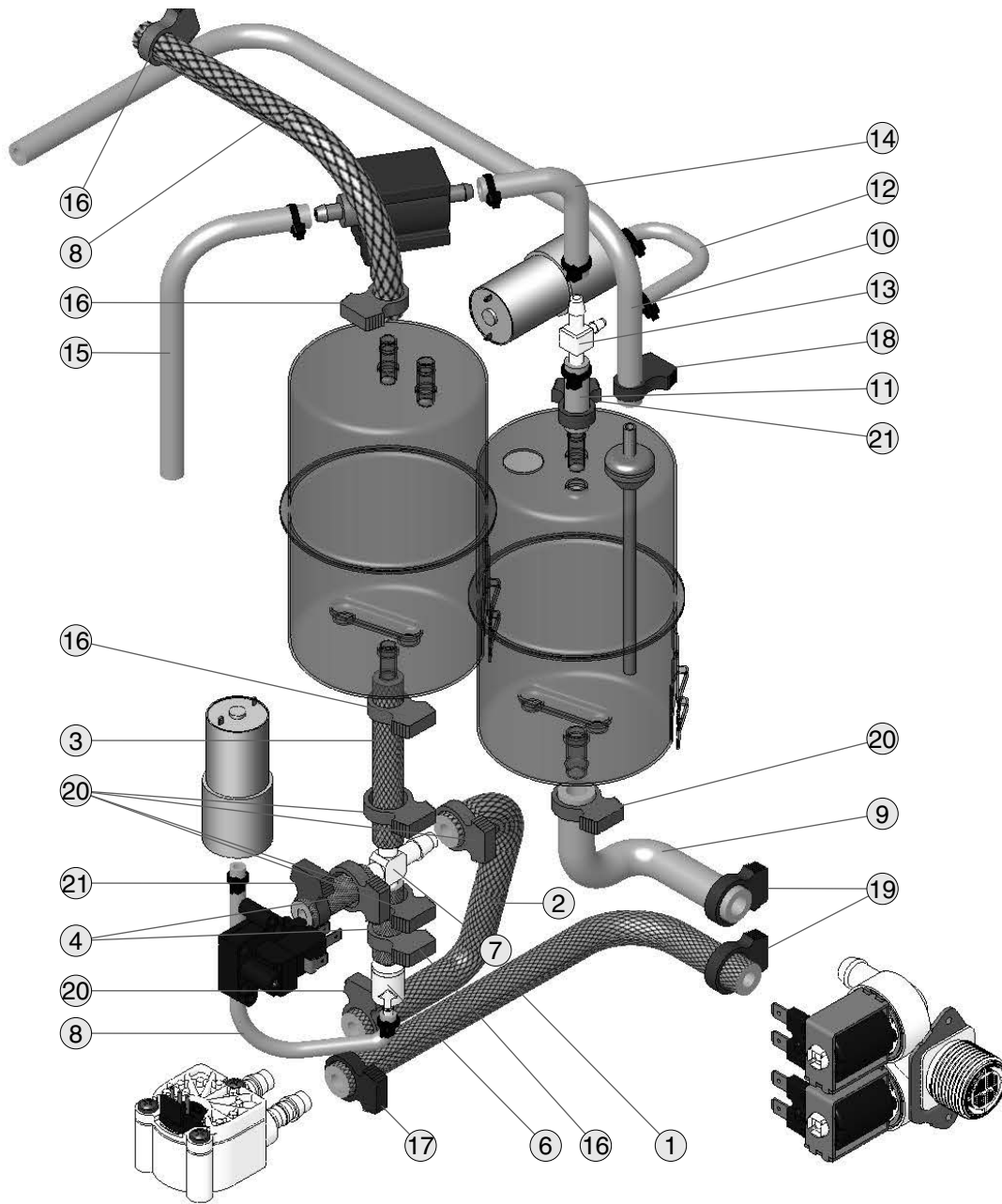




## PLUMBING & BOOSTER PUMP

ITEM	PART NO.	QTY.	DESCRIPTION	
1	41115.0000*	1	Tube, Braided .312ID X 6.3LG (Valve Mounted Horizontal)	
	41115.0001*	1	Tube, Braided .312ID X 8.5LG (Valve Mounted Vertical)	
2	37721.0007*	1	Tube, Sil Bd Pt .250ID 7.7 LG	
3	36629.0004*	1	Tube, Sil Bd Pt .188ID 3.0LG	
4	36629.0005*	2	Tube, Sil Bd Pt .188ID 1.4 LG	
5	36630.0003*	1	Tube, Sil Pt .125ID X 6.0 LG	REFER TO BREW SIDE TUBING KIT # 29
	36329.0000*	2	Tie, Cable-Nylon BLK 4.04 LG	
6	41505.0000	1	Check Valve	
7	41088.0000	1	Connector, .25 Barbed Cross	
8	36629.0006*	1	Tube, SIL BD PT .188ID 8.3 LG	
	36329.0000*	2	Tie, Cable-Nylon BLK 4.04 LG	
-----				
9	28526.0034*	1	Tube, Silicone .313ID X 5.5 LG (Valve Mounted Horizontal)	
	28526.0033*	1	Tube, Silicone .313ID X 4.25 LG (Valve Mounted Vertical)	
10	36631.0008	1	Tube, Sil Pt .188ID X 17.0 LG	
11	36631.0007	1	Tube, Sil Pt .188ID X 1.3 LG	
	36329.0000*	1	Tie, Cable-Nylon BLK 4.04 LG	
12	36630.0002	1	Tube, Sil Pt .125ID X 4.0 LG	REFER TO HW SIDE TUBING KIT # 30
	36329.0000*	2	Tie, Cable-Nylon BLK 4.04 LG	
13	41089.0000	1	Tee, .188X.188X.125 POLYPROPYL	
14	36631.0006	1	Tube, Sil Pt .188ID X 2.6 LG	
	36329.0000*	2	Tie, Cable-Nylon Blk 4.04 LG	
15	36631.0005	1	Tube, Sil Pt .188ID X 5.0 LG	
	36329.0000*	1	Tie, Cable-Nylon BLK 4.04 LG	
-----				
16	12422.0000	4	Clamp, Snp-6	
17	12422.0001	1	Clamp, Snp-10	
18	12422.0003	4	Clamp, Snp-2	
19	12422.0005	4	Clamp, Snp-12	
20	12422.0006	6	Clamp, Snp-8	
21	12422.0011	4	Clamp, Snp-4	
-----				
22	37084.1003	1	Pump Assy. (Fits 40663.1003 Panel Only)	
	36327.0001*	1	Clamp	
	00970.0000	1	Nut, Keps #8-32	

**CONTINUED**

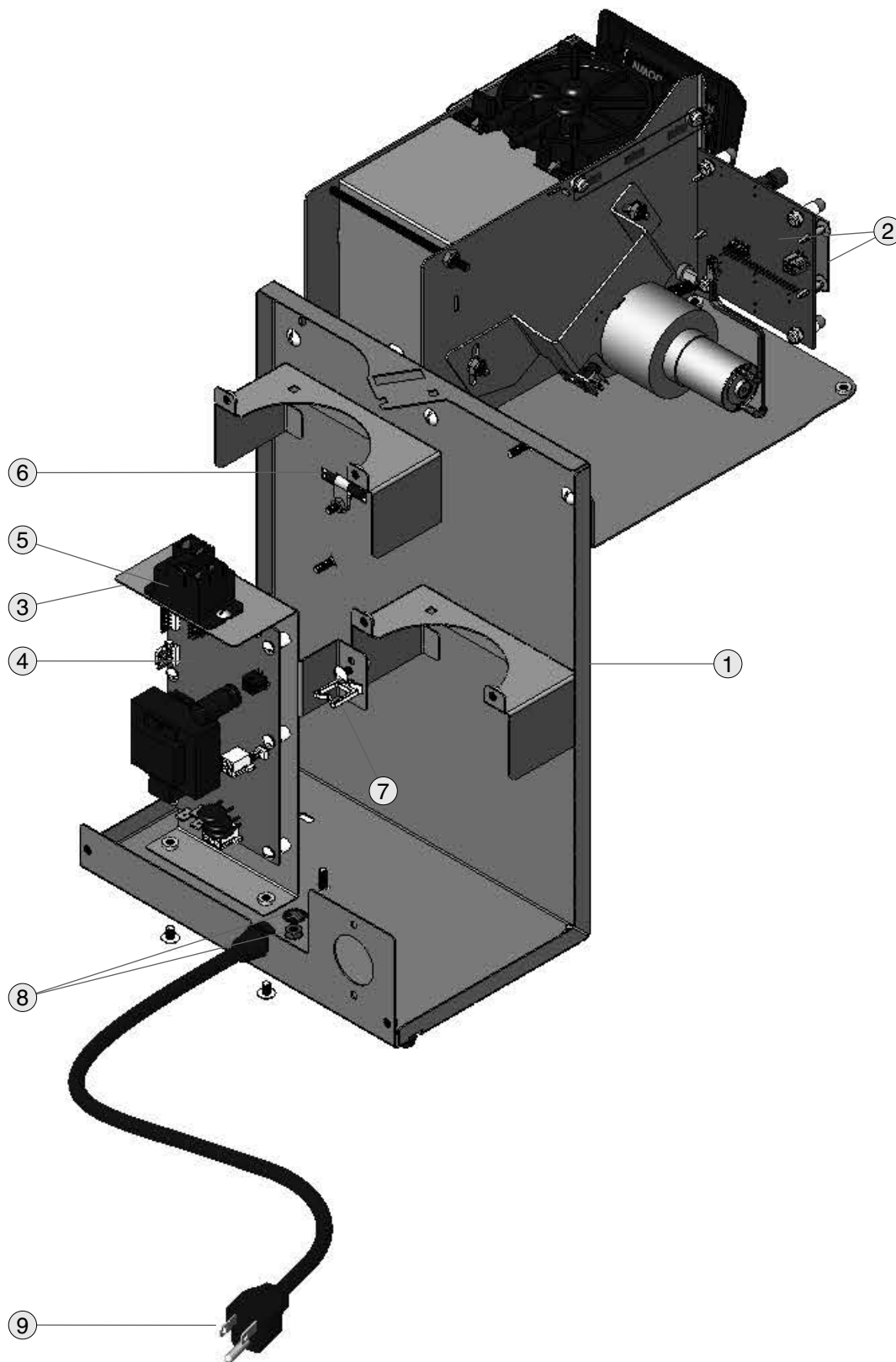


## PLUMBING & BOOSTER PUMP

ITEM	PART NO.	QTY.	DESCRIPTION
23	41847.1000	1	REGULATOR, ASSY W/FITTINGS 10psi (For pump Models)
	41847.1002	1	REGULATOR, ASSY W/FITTINGS 50psi (For high water pressure areas)
24	27170.0001	1	Reducer, Barb .25X.38 BRS TNPL
25	41115.0002*	1	Tube, Braided .312ID X 1.6LG (Order # 31)
26	37721.0008*	1	Tube, SIL BD PT .250ID 2.7LG (Order # 31)
27	37721.0009*	1	Tube, SIL BD PT .250ID 3.2LG (Order # 31)
28	21275.0001	2	Clamp, SST-.425/.523 DIA#13.3

### The Following Items Are Not Illustrated

29	41386.1000	1	Tubing Kit, Brew (Includes all Hoses, Clamps and Instructions)
30	41387.1000	1	Tubing Kit, Hot Water (Includes # 8, all Hoses, Clamps and Instructions)
31	41499.1009	1	Tubing Kit, Booster Pump (Includes all Hoses and Clamps)



## ELECTRICAL COMPONENTS

ITEM	PART NO.	QTY.	DESCRIPTION
1	40663.1000*	1	Panel, (Valve Mounted Horizontally) (Obsolete, order 40663.0004)
	40663.1004	1	Panel, Comp. Mtg. (Valve Mntd. Vertically Shown) Use w/new style cover
	01382.0000	5	Screw, Trh Sltd Sst 6-32x.375
2	40151.1000	1	CBA Display Assy. RoHS (Includes Spacers and Nuts)
3	40868.0000	1	Bracket Wldmt, CBA Mounting
	01308.0000	3	Screw, Trh Sltd Sst 6-32x.25
4	40150.1001	1	Cba, Main 120V RoHS (Includes Spacers and Screws)
	40150.1002	1	Cba, Main 230V RoHS (Includes Spacers and Screws)
	02367.0000	6	Screw, Trh Sltd Sst 6-32x.625
	29081.0001	6	Spacer, #8x.375
5	40819.0000	1	Relay, Heater
	01347.0000	2	Screw, Trh Serr Sst 6-32x.38
6	36390.0000*	1	Reed Switch (Not Available, Order Harness 41108.0000)
	05920.0000	1	Clamp, Cable
	00906.0000	1	Nut, Hex Sst 6-32
7	40934.0000	1	Saddle, Wire
8	00824.0000	1	Decal, Ground
	00970.0000	1	Nut, Keps #8-32
9	36381.0005	1	Power Cord, 120V

**The Following Items Are Not Illustrated**

10	40352.0000	1	Lead Assy, Red 16awg X 15.0lg
11	40353.0000	1	Lead Assy, Blu/Blk 16awgx 17lg
12	40354.0000	1	Wiring Harness, Cb/Motor
13	40355.0000	1	Wiring Harness, Cb/Display Module
14	40357.0000	1	Wiring Harness, Cb/Flow Meter
15	41108.0000	1	Wiring Harness, Sensor/Tank Refill (Integrated Reed Switch)
16	41109.0000	1	Wiring Harness, Hot Water Air Pump
17	41110.0000	1	Wiring Harness, Index Sensor/Pressure Switch
18	41111.0000	1	Wiring Harness, Heater Relay/Air Solenoid
19	41112.0000	1	Lead Assy, Blk 16awg X 5.0lg

NUMERICAL INDEX

PART NO.	PAGE NO.	PART NO.	PAGE NO.	PART NO.	PAGE NO.	PART NO.	PAGE NO.
00656.0001.....	5	36629.1001.....	13	40934.0000.....	21	43550.1000.....	11
00669.0003.....	13	36629.1002.....	13	40935.0000.....	15	43619.1001.....	11
00824.0000.....	21	36630.0002.....	17	41021.1000.....	15	43848.1000.....	11
00906.0000.....	15,21	36630.0003.....	17	41021.1100.....	15	43848.1002.....	11
00908.0000.....	9,11	36631.0005.....	17	41023.1000.....	15	43849.1000.....	11
00970.0000.....	17,21	36631.0006.....	17	41038.1000.....	9,11	43849.1001.....	11
00986.7000.....	5	36631.0007.....	17	41046.1002.....	11	43851.1000.....	11
00991.0006.....	11	36631.0008.....	17	41053.1000.....	13	43851.1001.....	11
01304.0000.....	15	36631.0018.....	13	41088.0000.....	17	43891.1000.....	11
01308.0000.....	5,9,11	36631.1000.....	13	41089.0000.....	17	44167.1000.....	11
01308.0000.....	15,21	36631.1001.....	13	41101.0000.....	15	44789.1000.....	13
01347.0000.....	21	36631.1002.....	13	41103.0000.....	15	45303.1000.....	13
01370.0002.....	9,13	37084.1003.....	17	41107.1001.....	11	47979.0000.....	5
01371.0000.....	11	37297.1006.....	15	41108.0000.....	21		
01382.0000.....	5,21	37721.0007.....	17	41109.0000.....	21		
01382.0002.....	5	37721.0008.....	19	41110.0000.....	21		
01403.0000.....	11	37721.0009.....	19	41111.0000.....	21		
01522.0001.....	11	37881.7002.....	5	41112.0000.....	21		
02367.0000.....	21	38316.1000.....	15	41113.0001.....	9,11		
05920.0000.....	21	39474.0001.....	7	41113.1000.....	9,13		
12422.0000.....	13,15,17	39984.1001.....	15	41113.1001.....	13		
12422.0001.....	17	40150.1001.....	21	41113.1002.....	13		
12422.0003.....	13,17	40150.1002.....	21	41115.0000.....	17		
12422.0005.....	17	40151.1000.....	21	41115.0001.....	17		
12422.0006.....	17	40288.1000.....	15	41115.0002.....	19		
12422.0011.....	15,17	40348.0000.....	15	41115.0003.....	15		
20616.0000.....	9,13	40352.0000.....	21	41133.1000.....	15		
21275.0001.....	19	40353.0000.....	21	41140.1001.....	11		
27170.0001.....	19	40354.0000.....	21	41141.1001.....	11		
28366.0004.....	9,11	40355.0000.....	21	41145.0000.....	5,9		
28366.1000.....	9,13	40357.0000.....	21	41145.0001.....	5		
28366.1001.....	9,13	40582.1001.....	11	41145.0002.....	9,11		
28366.1002.....	9,13	40583.1003.....	11	41145.0003.....	5		
28526.0033.....	17	40585.1000.....	9	41156.1001.....	7		
28526.0034.....	17	40585.1002.....	11	41164.0000.....	5		
28891.1009.....	15	40590.0000.....	9	41166.1000.....	7		
29081.0001.....	21	40593.0000.....	9	41176.0000.....	5		
29329.1000.....	15	40595.0001.....	7	41176.1800.....	5		
32283.0000.....	15	40597.0002.....	7	41177.0000.....	5		
33201.0000.....	15	40598.1000.....	5	41177.0001.....	5,9,11		
34466.0000.....	7	40601.0000.....	9,11	41177.7000.....	5		
36327.0001.....	17	40603.1006.....	9,13	41234.0000.....	5		
36329.0000.....	17	40646.0002.....	7	41386.1000.....	19		
36378.0001.....	9	40663.1000.....	21	41387.1000.....	19		
36379.1003.....	11	40663.1004.....	21	41499.1009.....	19		
36381.0005.....	21	40664.1000.....	5	41505.0000.....	17		
36384.0000.....	9	40664.1003.....	5	41847.1000.....	19		
36384.1001.....	11	40752.0000.....	15	41847.1002.....	19		
36390.0000.....	21	40806.1000.....	9,11	41922.0000.....	15		
36629.0003.....	15	40816.0000.....	15	42310.0000.....	9,11		
36629.0004.....	17	40819.0000.....	21	42476.1000.....	9,11		
36629.0005.....	13,17	40820.0000.....	15	42525.1000.....	9,11		
36629.0006.....	17	40821.1000.....	11	42806.0000.....	13		
36629.1000.....	13	40868.0000.....	21	43278.1000.....	15		

