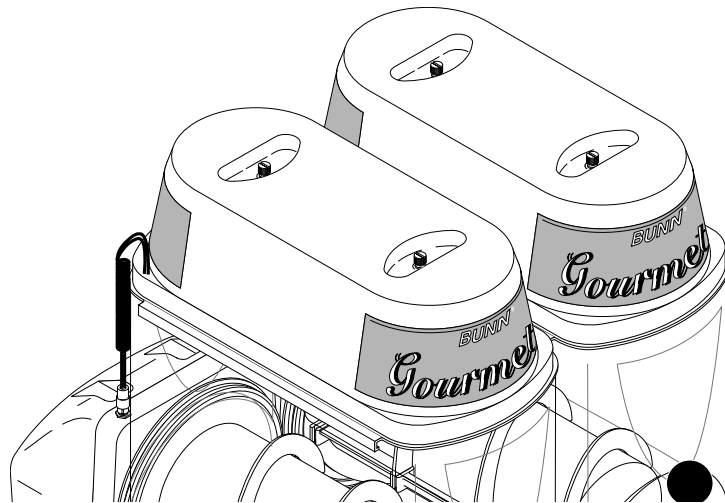
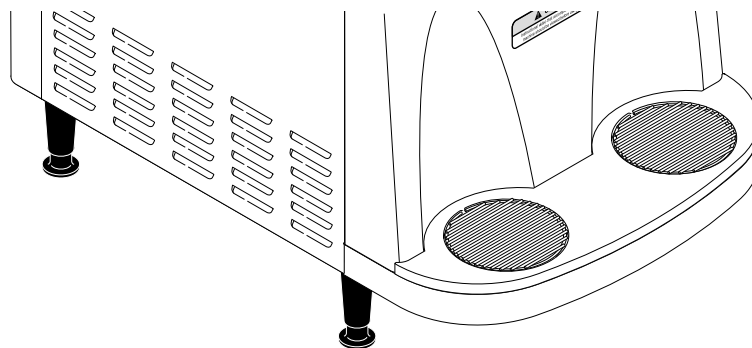


# **BUNN**®

# ***CDS-2***



**DISCONTINUED VERSION**  
**Parts listed in this catalog**  
**may no longer be available.**



## **ILLUSTRATED PARTS CATALOG**

Designs, materials, weights, specifications, and dimensions for equipment or replacement parts are subject to change without notice.

**BUNN-O-MATIC CORPORATION**

POST OFFICE BOX 3227

SPRINGFIELD, ILLINOIS 62708-3227

PHONE: (217) 529-6601 FAX: (217) 529-6644

## **BUNN-O-MATIC COMMERCIAL PRODUCT WARRANTY**

Bunn-O-Matic Corp. ("BUNN") warrants equipment manufactured by it as follows:

- 1) All equipment other than as specified below: 2 years parts and 1 year labor.
- 2) Electronic circuit and/or control boards: parts and labor for 3 years.
- 3) Compressors on refrigeration equipment: 5 years parts and 1 year labor.
- 4) Grinding burrs on coffee grinding equipment to grind coffee to meet original factory screen sieve analysis: parts and labor for 3 years or 30,000 pounds of coffee, whichever comes first.

These warranty periods run from the date of installation BUNN warrants that the equipment manufactured by it will be commercially free of defects in material and workmanship existing at the time of manufacture and appearing within the applicable warranty period. This warranty does not apply to any equipment, component or part that was not manufactured by BUNN or that, in BUNN's judgment, has been affected by misuse, neglect, alteration, improper installation or operation, improper maintenance or repair, damage or casualty. This warranty is conditioned on the Buyer 1) giving BUNN prompt notice of any claim to be made under this warranty by telephone at (217) 529-6601 or by writing to Post Office Box 3227, Springfield, Illinois 62708-3227; 2) if requested by BUNN, shipping the defective equipment prepaid to an authorized BUNN service location; and 3) receiving prior authorization from BUNN that the defective equipment is under warranty.

**THE FOREGOING WARRANTY IS EXCLUSIVE AND IS IN LIEU OF ANY OTHER WARRANTY, WRITTEN OR ORAL, EXPRESS OR IMPLIED, INCLUDING, BUT NOT LIMITED TO, ANY IMPLIED WARRANTY OF EITHER MERCHANTABILITY OR FITNESS FOR A PARTICULAR PURPOSE.** The agents, dealers or employees of BUNN are not authorized to make modifications to this warranty or to make additional warranties that are binding on BUNN. Accordingly, statements by such individuals, whether oral or written, do not constitute warranties and should not be relied upon.

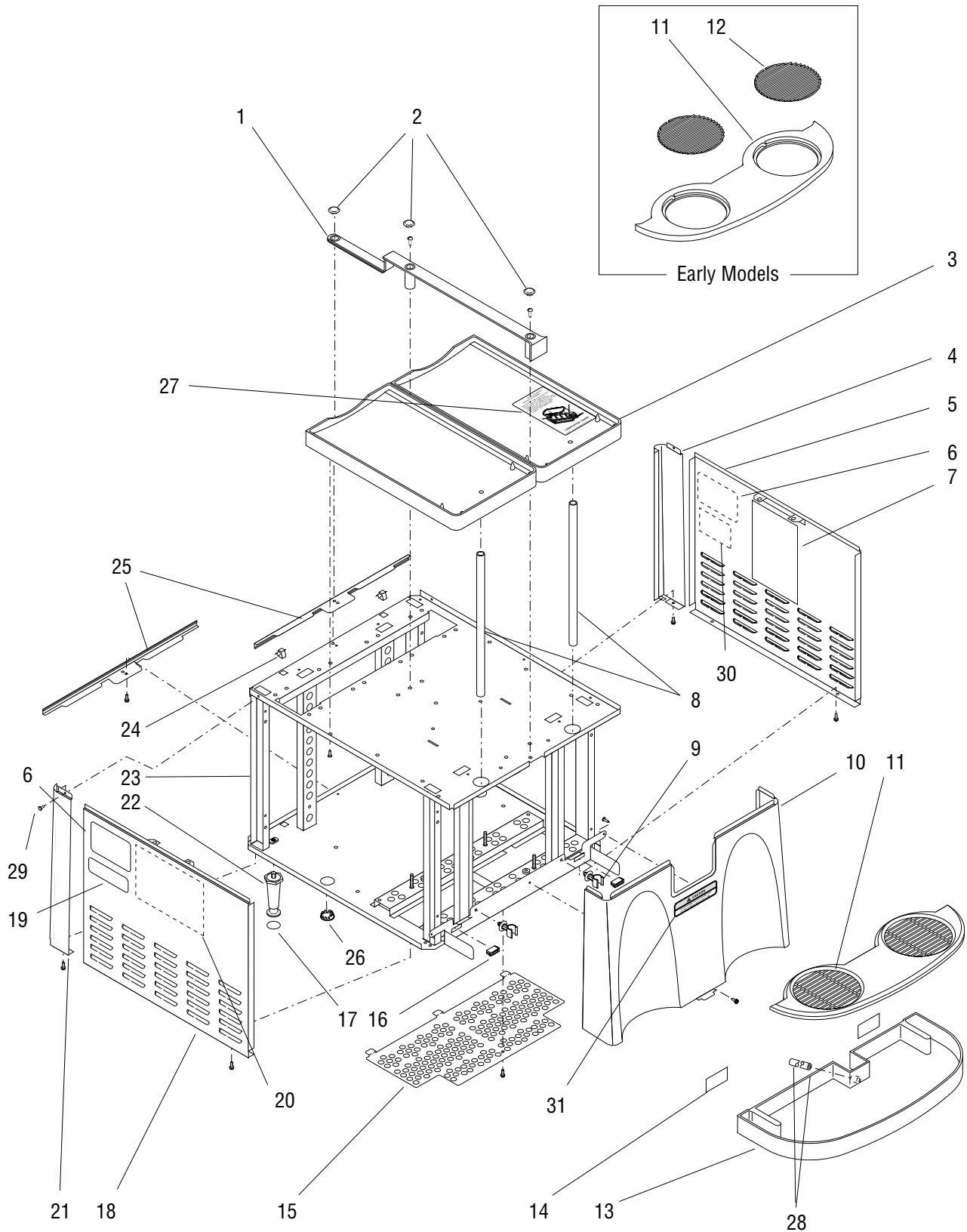
If BUNN determines in its sole discretion that the equipment does not conform to the warranty, BUNN, at its exclusive option while the equipment is under warranty, shall either 1) provide at no charge replacement parts and/or labor (during the applicable parts and labor warranty periods specified above) to repair the defective components, provided that this repair is done by a BUNN Authorized Service Representative; or 2) shall replace the equipment or refund the purchase price for the equipment.

**THE BUYER'S REMEDY AGAINST BUNN FOR THE BREACH OF ANY OBLIGATION ARISING OUT OF THE SALE OF THIS EQUIPMENT, WHETHER DERIVED FROM WARRANTY OR OTHERWISE, SHALL BE LIMITED, AT BUNN'S SOLE OPTION AS SPECIFIED HEREIN, TO REPAIR, REPLACEMENT OR REFUND.**

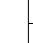



In no event shall BUNN be liable for any other damage or loss, including, but not limited to, lost profits, lost sales, loss of use of equipment, claims of Buyer's customers, cost of capital, cost of down time, cost of substitute equipment, facilities or services, or any other special, incidental or consequential damages.

# TABLE OF CONTENTS

Auger Drive and Cooling Drum.....	12
Auger Drive and Cooling Drum (w/PAF) .....	16
Compressor and Mounting.....	22
Condenser and Fan Mounting.....	20
Electrical and Operating Controls .....	26
Electrical and Operating Controls (w/PAF).....	30
Frame, Panels, Drip Trays and Legs .....	4
Hopper and Top Cover.....	8
PAF Hopper and Faucet .....	10
Instructional Video .....	7
Numerical Index .....	22
Solenoid and Coolant Piping .....	24

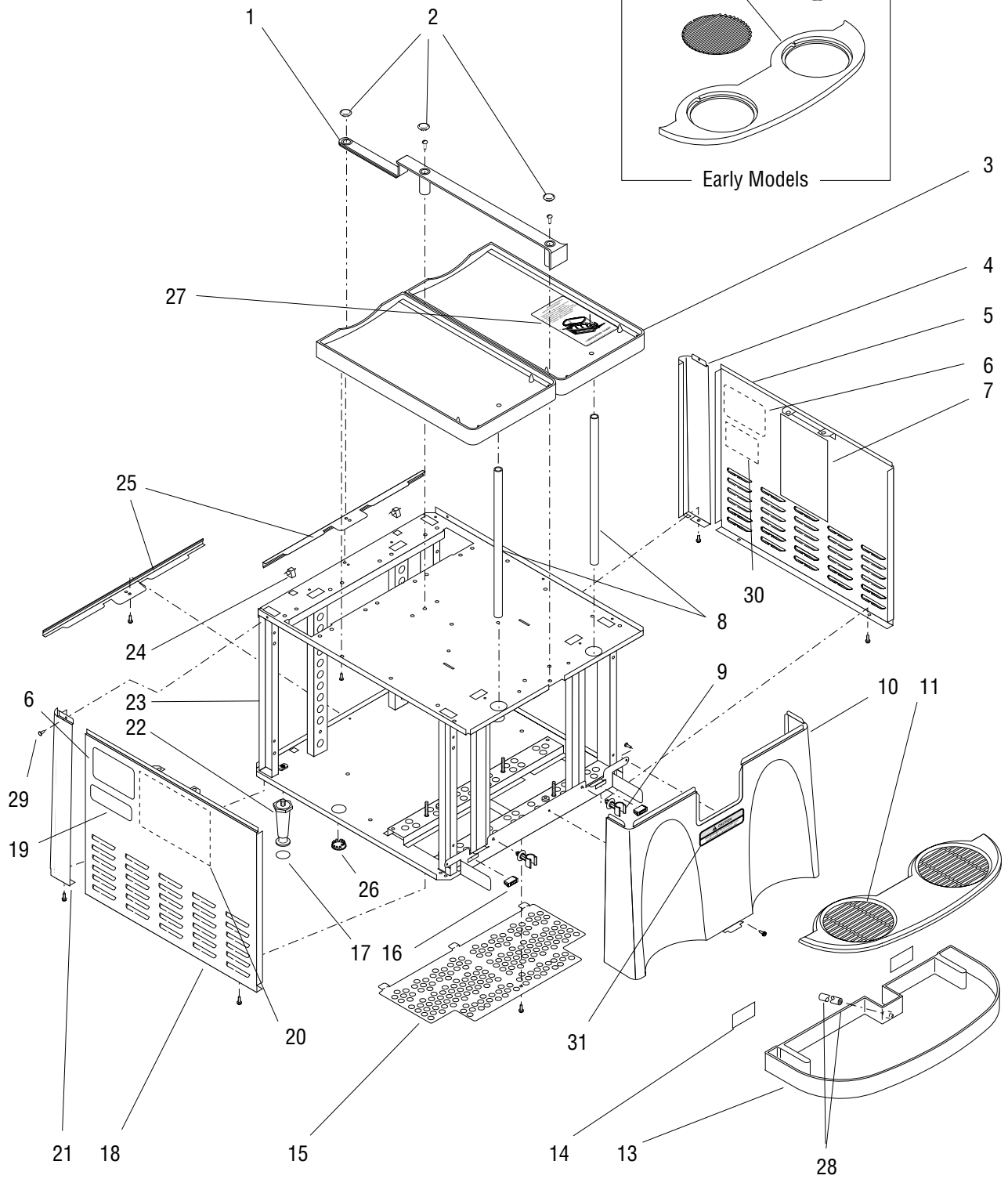
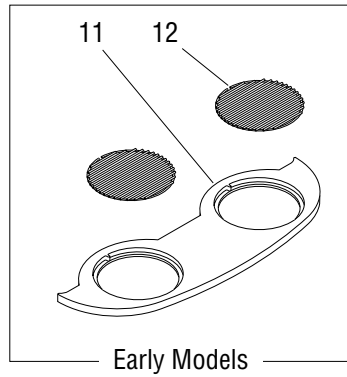


## FRAME, PANELS, DRIP TRAYS AND LEGS

ITEM	PART NO.	QTY.	DESCRIPTION
1	27136.0002	1	Trim, Hopper/Drip Tray - WHI
	27136.0003	1	Trim, Hopper/Drip Tray - BLK
	02329.0000	2	Screw, Round Head - Locking #8-32 x .312"
2	27394.0000	3	Plug, Plastic - WHI
	27394.0001	3	Plug, Nylon - BLK
3	28078.0000	2	Drip Tray, Hopper - WHI (Includes item 27)
	28078.0001	2	Drip Tray, Hopper - BLK (Includes item 27)
	01317.0003	8	Screw, Truss Head - Locking #8-32 x .375"
4	27058.0000	1	Corner, Right Rear - SST
	27058.0002	1	Corner, Right Rear - BLK
	02332.0001	1	Screw, Hex Head Crimptite #6 x .25" (Early models)
	32580.0000	1	Screw, Hex Head #6-32 x .25" (Late models)
5	27558.0000	1	Panel W/Decals, Right Side - SST (Includes items 6, 7 & 30) (CDS-2)
	27660.1001	1	Panel W/Decals, Right Side - SST (Includes items 6 & 30) (CDSA-2)
	27558.0002	1	Panel W/Decals, Right Side - BLK (Includes items 6, 7 & 30) (CDS-2)
	02332.0001	2	Screw, Hex Head Crimptite #6 x .25" (Early models)
	32580.0000	2	Screw, Hex Head #6-32 x .25" (Late models)
6	27442.0000	2	Decal, Warning - Moving Parts
7	27556.0000	1	Schematic, Electrical 120V (CDS-2)
	27556.0002	1	Schematic, Electrical 120V (CDS-2 w/PAF)
8	-----	2	Tube, Drain .375" I.D. x .50" O.D. x 10.88" (Order item 33)
9	27410.0000	2	Clip, Tube
10	-----	1	Panel, Front - SST (OBSOLETE PART)
	-----	1	Panel, Front - BLK (OBSOLETE PART)
	02332.0001	1	Screw, Hex Head Crimptite #6 x .25"
	01317.0003	2	Screw, Truss Head - Locking #8-32 x .375"
11	-----	1	Cover, Lower Drip Tray  Early Models
	-----	1	Cover, Lower Drip Tray - BLK  Early Models
	32068.0000	1	Cover, Lower Drip Tray (Late Models)
12	26958.0000	2	Grate, Drip Tray  Early Models
	26958.0001	2	Grate, Drip Tray - BLK  Early Models
13	28086.0000	1	Drip Tray, Lower (Includes item 14)
	28086.0001	1	Drip Tray, Lower - BLK (Includes item 14)
14	21437.1000	2	Strike Assy, Self Adhesive
15	-----	1	Cover, Bottom Vent (OBSOLETE PART)
	02332.0001	1	Screw, Hex Head Crimptite #6 x .25"
16	21436.0000	2	Catch, Magnetic
17	03996.0000	4	Pad, Rubber .125" Dia (See item 32)
18	27558.0001	1	Panel W/Decals, Left Side - SST (Includes items 6, 19 & 20) (CDS-2)
	27660.1002	1	Panel W/Decals, Left Side - SST (Includes items 6, 19 & 20) (CDSA-2)
	27558.0003	1	Panel W/Decals, Left Side - BLK (Includes items 6, 19 & 20) (CDS-2)
	02332.0001	2	Screw, Hex Head Crimptite #6-32 x .25" (Early models)
	32580.0000	2	Screw, Hex Head #6-32 x .25" (Late models)

(Continued)

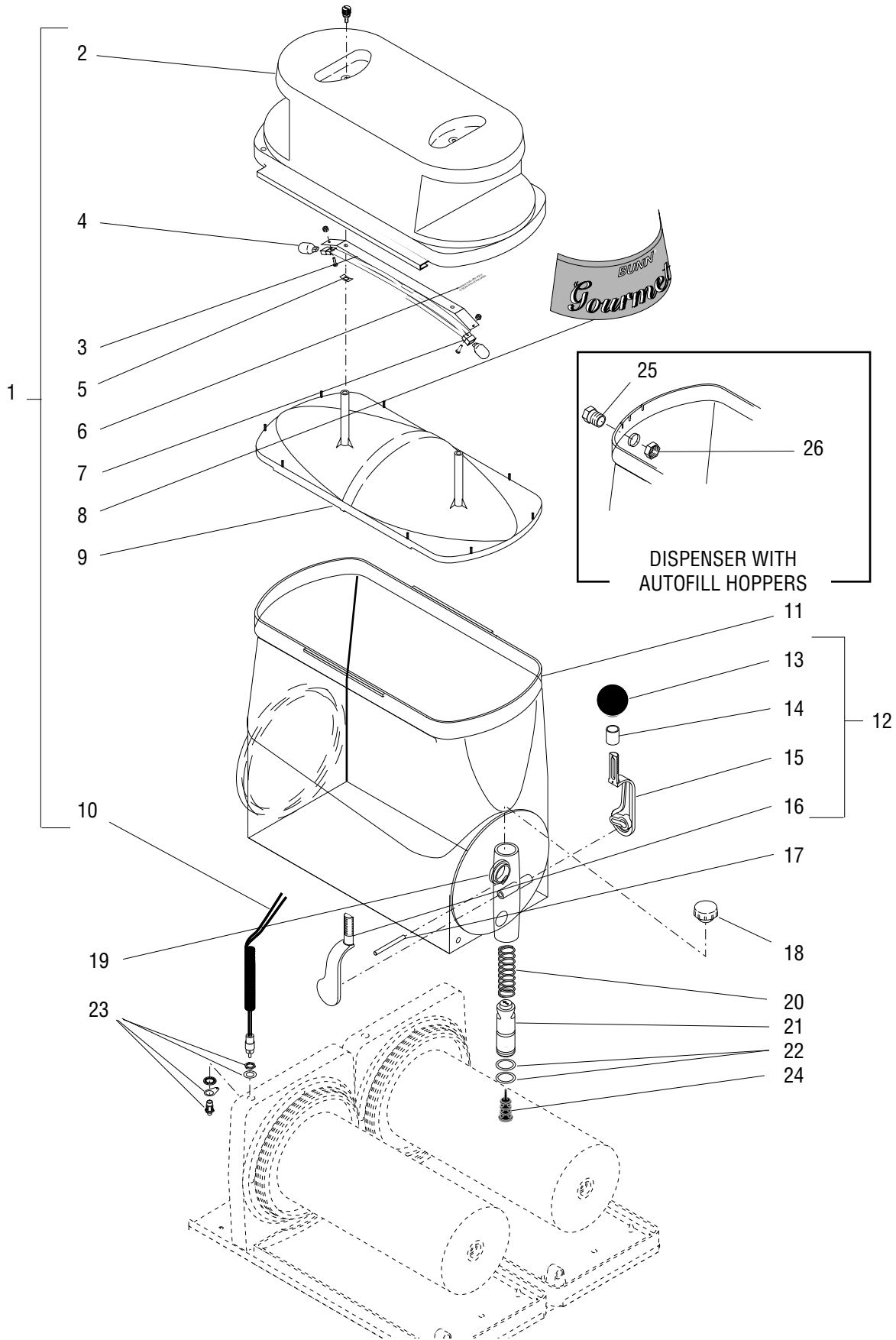
(Continued)



## FRAME, PANELS, DRIP TRAYS AND LEGS

ITEM	PART NO.	QTY.	DESCRIPTION
19	27444.0000	1	Decal, Freon Charge (CDS-2)
	29373.0000	1	Decal, Freon Charge (CDSA-2)
20	27557.0000	1	Schematic, Coolant
21	27058.0001	1	Corner, Left Rear - SST
	27058.0003	1	Corner, Left Rear - BLK
	02332.0001	1	Screw, Hex Head Crimptite #6 x .25"
22	26528.0000	4	Leg, Black Plastic - 4" Adjustable .375" Thd (See item 32)
23	-----	1	Frame, Base (CDS-2) (OBSOLETE PART)
	-----	1	Frame, Base (CDSA-2) (OBSOLETE PART)
24	00927.0000	4	Clip, Spring
25	27131.0000	2	Trim, Frame - Rear - SST
	27131.0001	2	Trim, Frame - Rear - BLK
	02332.0001	1	Screw, Hex Head Crimptite #6 x .25" (Early models)
	32580.0000	1	Screw, Hex Head #6-32 x .25" (Late models)
26	00619.0000	1	Plug, Hole .875 Dia (Early Dispensers)
27	27664.0000	1	Decal, Lubrication
28	-----	1	Tube, Clear Vinyl .375" I.D. x .50" O.D. (Optional. Order item 33)
29	28098.0000	2	Fastener, Snap-in
30	00986.0002	1	Decal, Warning - Electrical
31	28270.0000	1	Decal, Caution - Instructional Video
32	13255.0003	-	Leg Kit (Includes 4 Legs and 4 Pads)
33	12421.1001	-	Tube, Clear Vinyl (12" Long)
	12421.1002	-	Tube, Clear Vinyl (60" Long)
	12421.1003	-	Tube, Clear Vinyl (120" Long)
34	28125.0000	-	Instructional Video

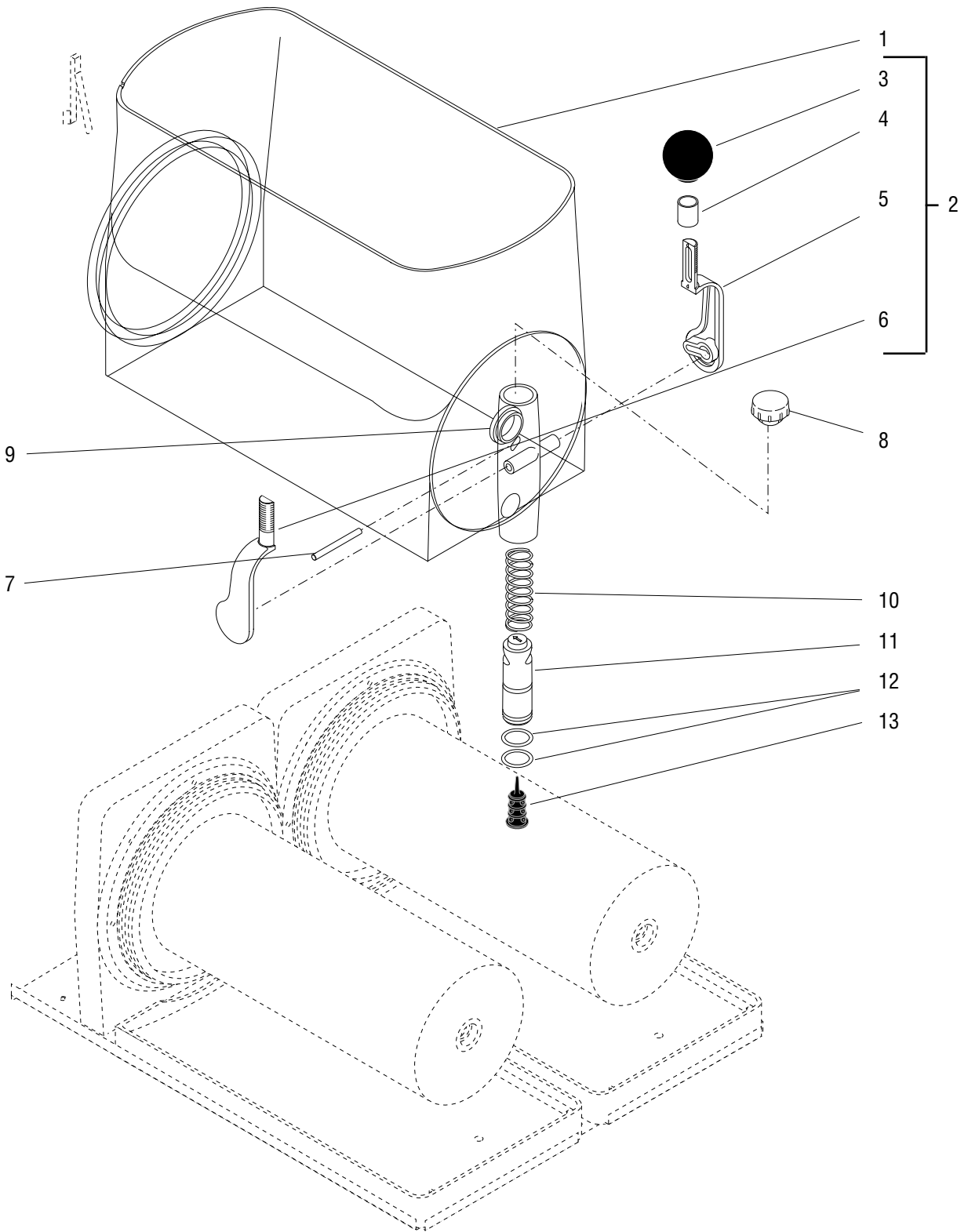
} Not Illustrated





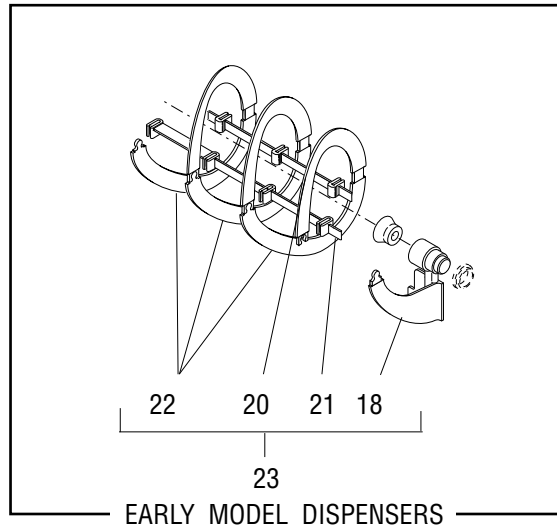
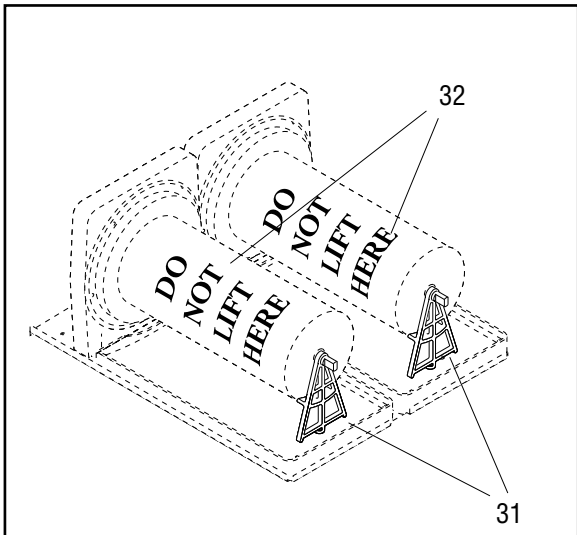
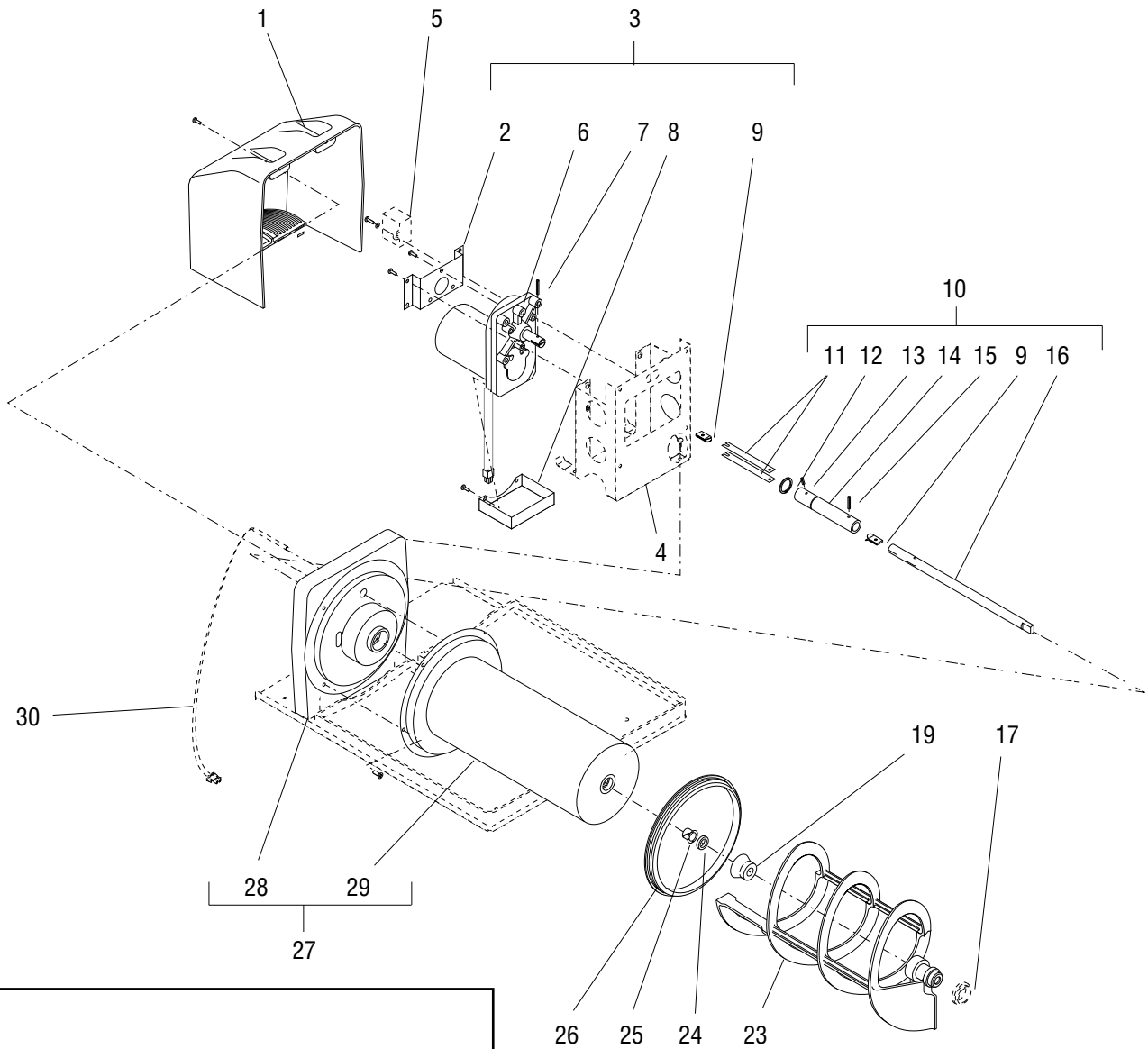
## HOPPER AND TOP COVER

ITEM	PART NO.	QTY.	DESCRIPTION
1	28082.0000	2	Cover Assy. Hopper - WHI (Includes items 2 thru 10)
	28082.0007	2	Cover Assy. Hopper - BLK (Includes items 2 thru 10)
2	26714.1000	1	Cover, Hopper - WHI
	26714.1001	1	Cover, Hopper - BLK
	28062.0000	2	Screw, Knurled Thumb #8-32
3	27235.0000	1	Bracket, Lamp Mounting
4	27446.0000	2	Lamp, T-5 Wedge Base
5	27256.0000	2	Fastener, Push-on
6	27938.0000	1	Decal, Lamp Replacement
7	27445.1000	1	Lamp Holder/Socket Assy (Includes two of item 26)
	27448.0000	2	Screw, Pan Head #2-56 x .50"
	27447.0000	2	Nut, Elastic Lock #2-56
8	27135.0001	2	Decal, Hopper Cover
9	26717.0000	1	Liner Assy, Hopper Cover
10	32267.1000	1	Cord Assy, Lamp (Includes two of item 28)
11	28079.1000	2	Hopper Assy. (Includes item 19)(Hoppers W/Out Autofill holes)
	28079.1001	2	Hopper Assy. (Includes item 19)(Hoppers with 1 Autofill hole)
	28079.1002	2	Hopper Assy. (Includes item 19)(Hoppers with 2 Autofill holes)
12	28080.1000	2	Faucet Assy. WHI (Includes items 13 thru 16)
	28080.1001	2	Faucet Assy. BLK (Includes items 13 thru 16)
13	27137.0000	1	Knob, Black
14	26972.0000	1	Ring, Faucet Handle
15	26786.0001	1	Handle, Faucet - Right - WHI
	26786.0003	1	Handle, Faucet - Right - BLK
16	26786.0000	1	Handle, Faucet - Left - WHI
	26786.0002	1	Handle, Faucet - Left - BLK
17	26788.0000	1	Dowel, Faucet
18	26793.0000	2	Cap, Faucet - WHI
	26793.0001	2	Cap, Faucet - BLK
19	26784.0000	1	Bushing, Auger Shaft - Front
20	28107.0000	2	Spring, Faucet
21	28216.1000	2	Spool Assembly, Faucet - WHI (Includes item 24)
	28216.1001	2	Spool Assembly, Faucet - BLK (Includes item 24)
22	28083.0000	-	O-Ring Kit, Faucet Spool (Includes 6 O-rings. See item 27)
23	27643.0000	2	Connector Assy, Lamp Cord (Includes Nut, Washer, Leads & Plug)
	01532.0001	2	Lockwasher, Internal Tooth .375"
24	28391.0000	2	Plug, Faucet Spool (Late Models)
25	28776.0000	2	Plug, .375" NPT
26	24566.0000	2	Nut, .375" NPS
			Dispensers w/Autofill Hoppers (Use as required) 2 additional used on SL models.
27	M2550.0000	-	Lubricant, Petrol-Gel 4 oz (Not Illustrated)
28	03851.0000	4	Wire Nut (Not Illustrated)



## PAF HOPPER AND FAUCET

ITEM	PART NO.	QTY.	DESCRIPTION
1	26713.1000	2	Hopper Assy. (Includes item 9)
2	28080.1000	2	Handle Assy, Faucet - White (Includes items 3 thru 6)
	28080.1001	2	Handle Assy, Faucet - Black (Includes items 3 thru 6)
3	27137.0000	1	Knob, Black
4	26972.0000	1	Ring, Faucet Handle
5	26786.0001	1	Handle, Faucet - Right
6	26786.0000	1	Handle, Faucet - Left
7	26788.0000	1	Dowel, Faucet
8	26793.0000	2	Cap, Faucet - White
	26793.0001	2	Cap, Faucet - Black
9	26784.0000	1	Bushing, Auger Shaft - Front
10	28107.0000	2	Spring, Faucet
11	28216.1000	2	Spool Assy, Faucet - White (Includes item 13)
	28216.1001	2	Spool Assy, Faucet - Black (Includes item 13)
12	28083.0000	-	O-Ring Kit, Faucet Spool (Includes 6 O-rings. See item 14)
13	28391.0000	2	Plug, Faucet Spool
14	M2550.0000	-	Lubricant, Petro-Gel 4 oz (Not Illustrated)



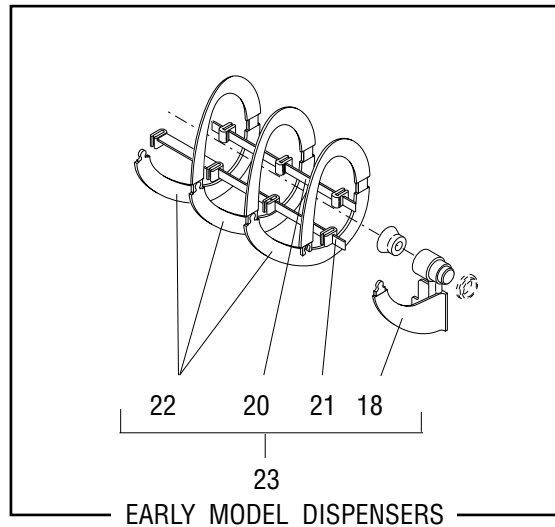
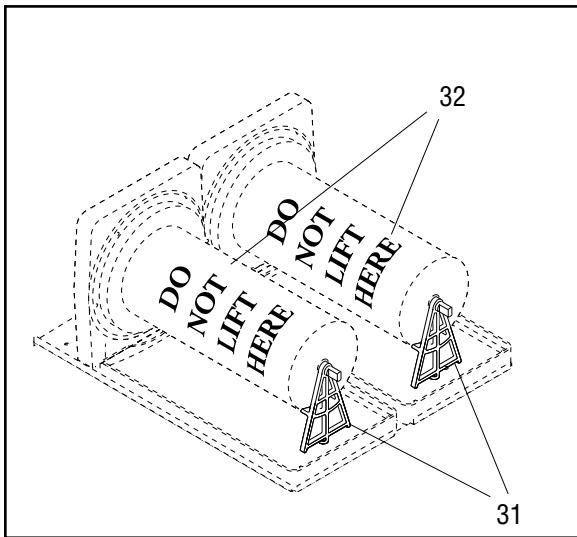
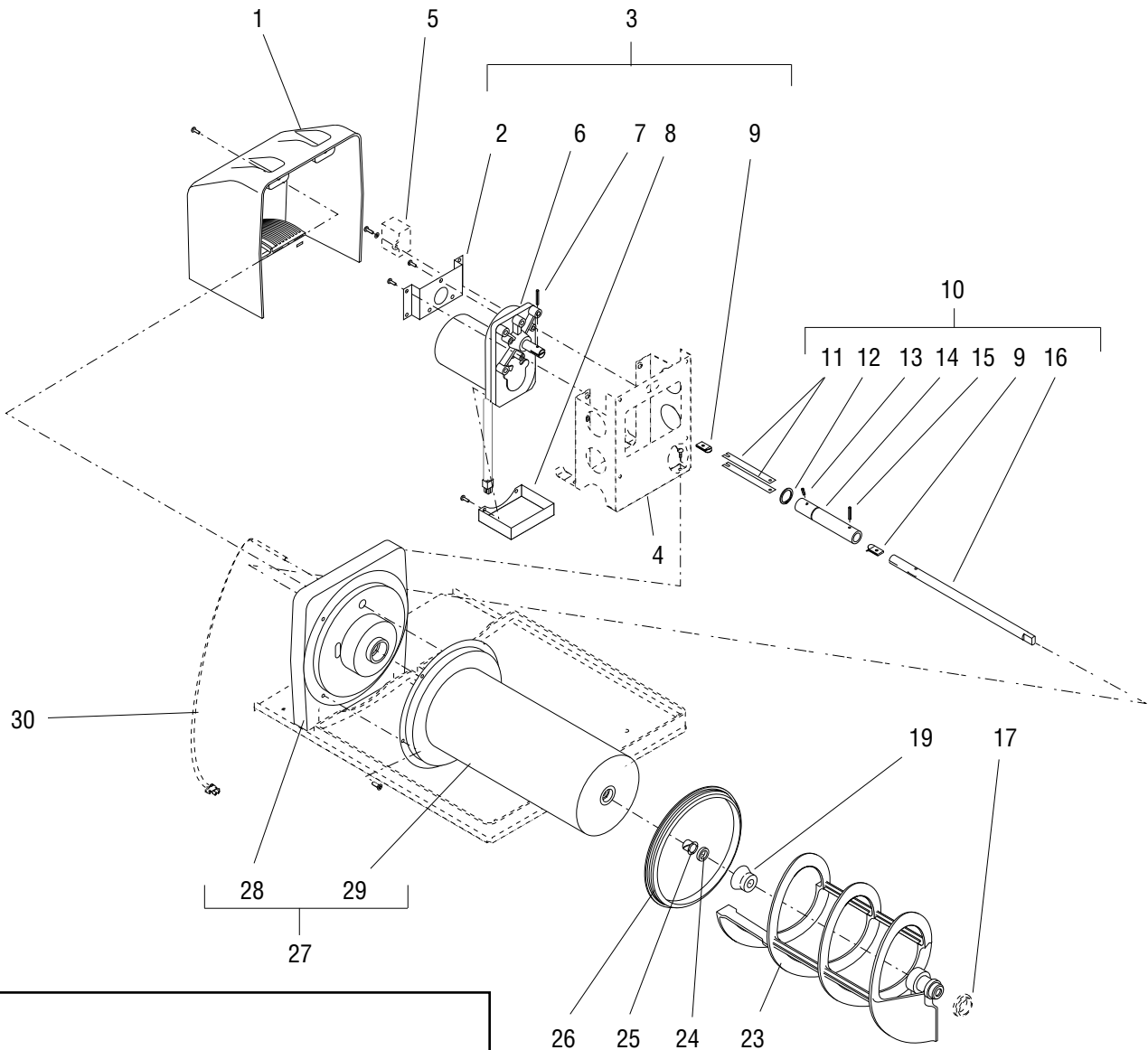
EARLY MODEL DISPENSERS

## AUGER DRIVE AND COOLING DRUM

ITEM	PART NO.	QTY.	DESCRIPTION
1	27231.0000	2	Cover, Auger Motor - WHI
	27231.0001	2	Cover, Auger Motor - BLK
	01317.0003	4	Screw, Truss Head - Locking #8-32 x .375"
2	27232.0000	1	Bracket, Auger Motor Mounting
	01317.0003	3	Screw, Truss Head - Locking #8-32 x .375"
3	28093.1000	2	Motor Assy, Auger (Includes items 2, 6, 7 & 9) (120V)
	28093.1001	2	Motor Assy, Auger (Includes items 2, 6, 7 & 9) (230V)
	01326.0002	6	Screw, Pan Head #10-32 x .375"
4	28537.0000	2	Bracket, Auger Motor/Cooling Drum Mounting
	01311.0001	8	Screw, Truss Head - Locking #8-32 x .25"
5	-----	2	Capacitor, Motor (See ELECTRICAL AND OPERATING CONTROLS)
	01317.0001	2	Screw, Truss Head - Locking #8-32 x .50"
	01501.0000	2	Washer, #8
6	28093.1000	1	Motor Assembly, Auger (Includes Leads and Terminals) (120V)
	28093.1001	1	Motor Assembly, Auger (Includes Leads and Terminals) ( 230V)
7	34836.0000	1	Pin, Split .125" O.D. x .938"
8	-----	1	Pan, Motor Drip (OBSOLETE PART)
	02335.0001	2	Screw, Hex Crimptite #8-32 x .375" <span style="font-size: 2em; vertical-align: middle;">}</span> Early Dispensers
9	27440.0000	2	Bearing, Torsion Spring
10	28081.0000	2	Shaft Assy, Auger Drive (Includes items 9, 11 thru 16)
11	27223.0000	2	Spring, Torsion
12	27228.0000	1	Snap Ring
13	11556.0001	1	Pin, Split .125" O.D. x .437"
14	27224.0000	1	Retainer, Torsion Spring
15	34836.0001	1	Pin, Split .125" O.D. x .75"
16	32449.0000	1	Shaft, Auger
17	-----	2	Bushing, Auger - Front (See TOP COVER AND HOPPER)
18	-----	2	Auger Nose (OBSOLETE PART)
19	26780.0000	2	Seal, Auger Shaft (See items 33 & 35)
20	-----	1	Latch, Auger - Short (OBSOLETE PART)
21	-----	1	Latch, Auger - Long (OBSOLETE PART)
22	-----	3	Auger Section (OBSOLETE PART)
23	-----	2	Auger Assy. (Early model Dispensers) (Order One Piece Auger)
	32106.1000	2	Auger, One piece (Late model Dispensers)
24	37593.0000	2	Seal, Cooling Drum (See item 35)
25	26781.0000	2	Bushing, Auger Shaft (See item 35)
26	26792.0000	2	Seal, Cooling Drum/Hopper (See item 33 & 35)

(Continued)

(Continued)

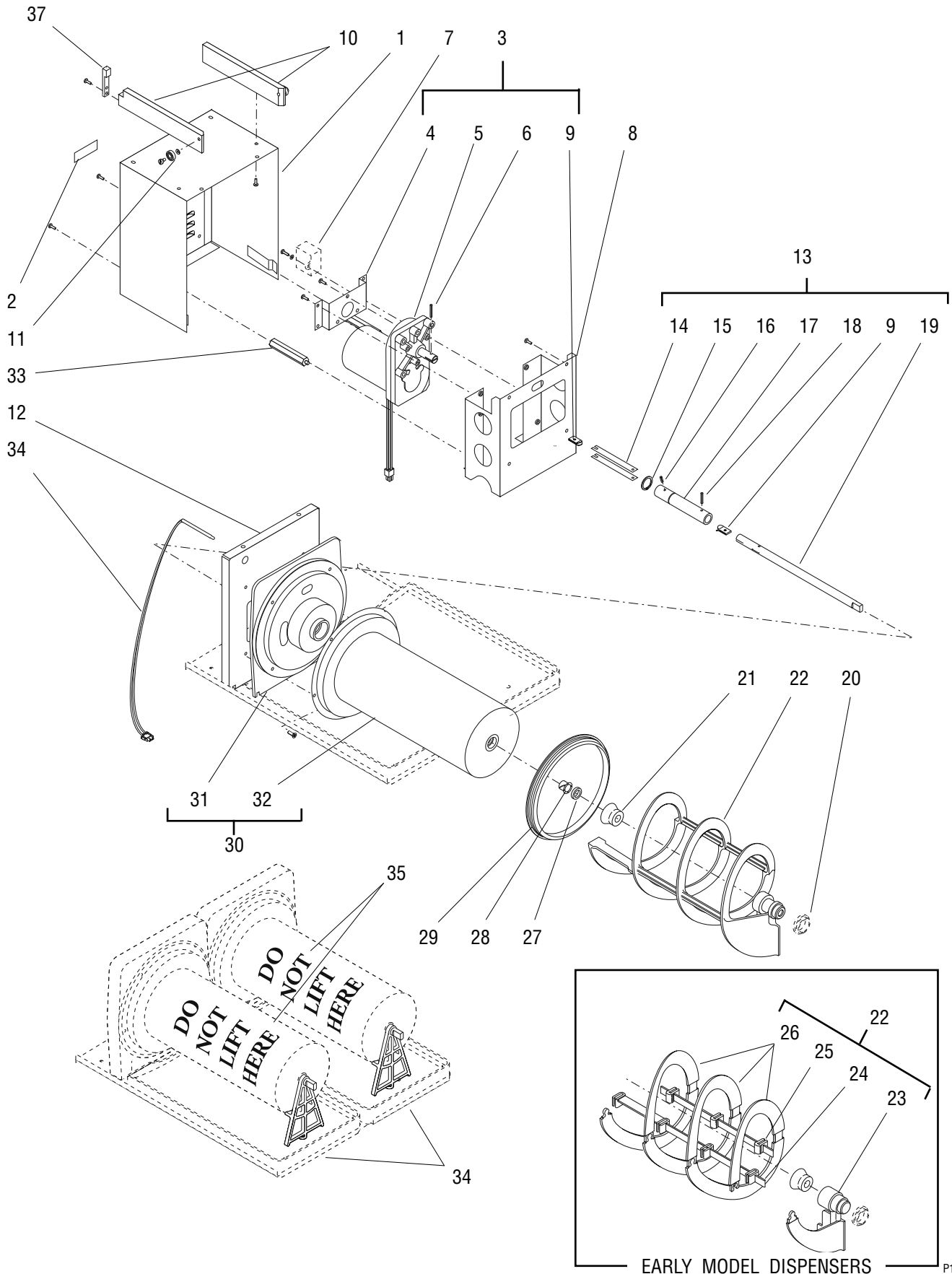


## AUGER DRIVE AND COOLING DRUM

ITEM	PART NO.	QTY.	DESCRIPTION
27	-----	2	Drum Assembly, Cooling - WHI (OBSOLETE PART)
	-----	2	Drum Assembly, Cooling - BLK (OBSOLETE PART)
	01377.0000	8	Screw, Flat Head #8-32 x .75"
28	32091.0002	1	Mount Assembly, Cooling Drum - WHI
	32091.0003	1	Mount Assembly, Cooling Drum - BLK
29	-----	1	Drum, Cooling (Not Available. Order item 27)
30	-----	-	Temperature Sensor Assy (See ELECTRICAL AND OPERATING CONTROLS)
31	28027.0000	2	Support, Cooling Drum (For Shipping and Cooling Drum Adjustment)
32	-----	2	Label, DO NOT LIFT HERE (For Shipping Only)

Items 33 through 36 are not illustrated:

33	M2550.0000	-	Lubricant, Lubri-Film 4 oz.
34	M2548.1000	-	Lubricant, Krytox .50 oz
35	28106.0000	-	Kit, Preventive Maintenance (Includes items 19, 24, 25, 26, four faucet O-rings and two faucet spool plugs)



P1941.38

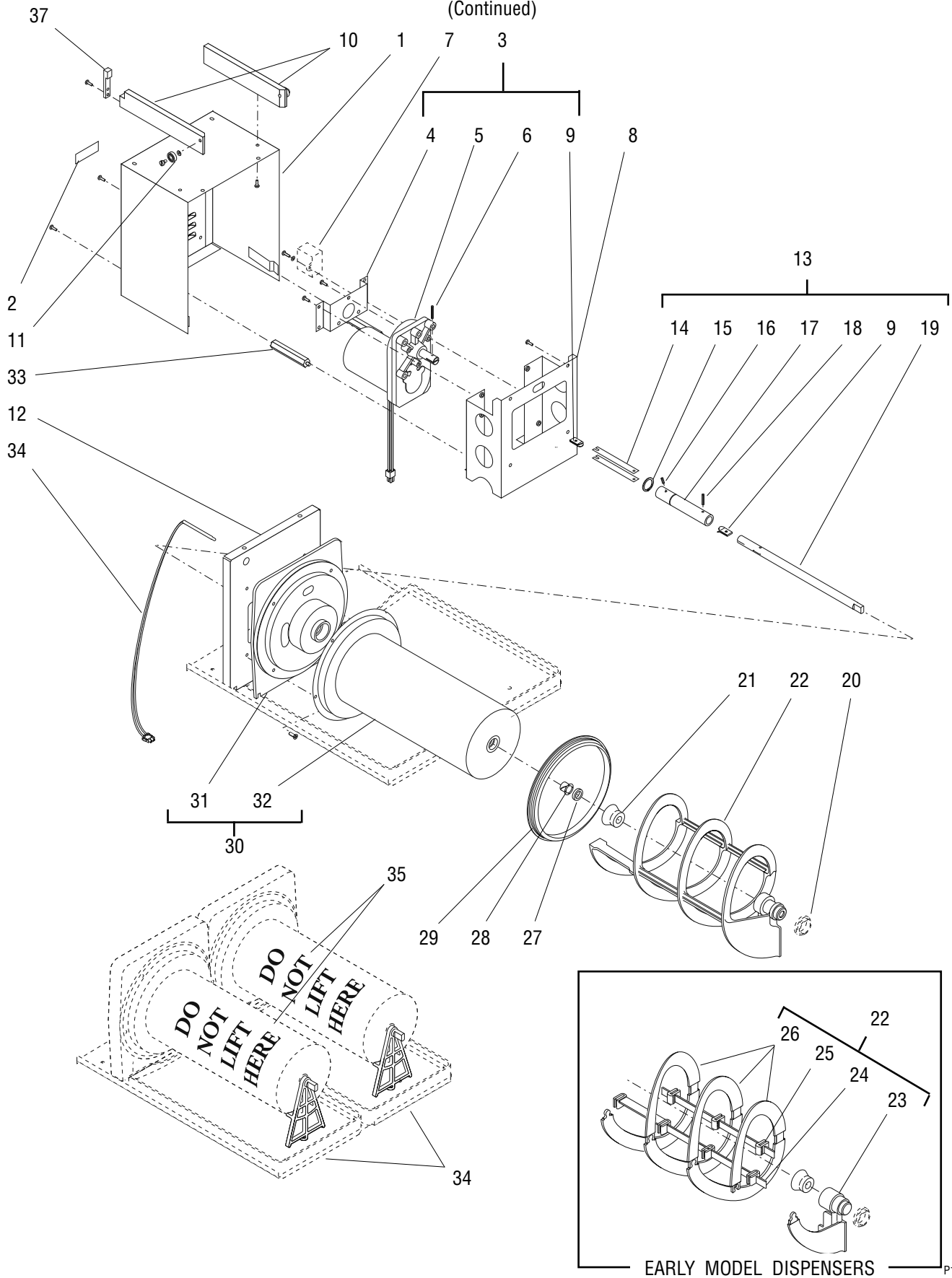


## AUGER DRIVE AND COOLING DRUM

ITEM	PART NO.	QTY.	DESCRIPTION
1	-----	2	Cover, Auger Motor - WHI (OBSOLETE PART)
	-----	2	Cover, Auger Motor - BLK (OBSOLETE PART)
	02331.0000	4	Screw, Truss Head - Locking #10-32 x .375"
2	29844.0000	2	Decal
3	28093.1000	2	Motor Assy, Auger (Includes items 4, 5, 6 & 9)
	01326.0002	6	Screw, Pan Head #10-32 x .375"
4	27232.0000	1	Bracket, Auger Motor Mounting
	01317.0003	3	Screw, Truss Head - Locking #8-32 x .375"
5	28093.1000	1	Motor Assembly, Auger (Includes Leads and Terminals)
6	34836.0000	1	Pin, Split .125" O.D. x .938"
7	-----	2	Capacitor, Motor (See ELECTRICAL AND OPERATING CONTROLS)
	01317.0001	2	Screw, Truss Head - Locking #8-32 x .50"
	01501.0000	2	Washer, #8
8	-----	2	Support, Motor (OBSOLETE PART)
9	27440.0000	2	Bearing, Torsion Spring
10	-----	2	Rail, Left (Early models without latch is not available, order item38)
	29591.0002	2	Rail, Left (Late models)
	29591.0001	2	Rail, Right
	01330.0000	4	Screw, Hex-washer - Locking #10-32 x .375"
11	29724.0000	4	Roller
	24457.0001	4	Screw, Shoulder
	01522.0000	4	Washer
12	-----	2	Support, Auger Motor/Cooling Drum Mounting - SST (OBSOLETE PART)
	-----	2	Support, Auger Motor/Cooling Drum Mounting - WHI (OBSOLETE PART)
	-----	2	Support, Auger Motor/Cooling Drum Mounting - BLK (OBSOLETE PART)
	01311.0001	8	Screw, Truss Head - Locking #8-32 x .25"
13	28081.0000	2	Shaft Assy, Auger Drive (Includes items 9, 14 thru 19)
14	27223.0000	2	Spring, Torsion
15	27228.0000	1	Snap Ring
16	11556.0001	1	Pin, Split .125" O.D. x .437"
17	27224.0000	1	Retainer, Torsion Spring
18	34836.0001	1	Pin, Split .125" O.D. x .75"
19	32449.0000	1	Shaft, Auger
20	-----	2	Bushing, Auger - Front (See HOPPER AND FAUCET)
21	26780.0000	2	Seal, Auger Shaft (See items 39 & 41)
22	-----	2	Auger Assy. (Early model Dispensers) (Order One Piece Auger)
	32106.1000	2	Auger, One Piece (Late model Dispensers)
23	-----	1	Auger Nose (OBSOLETE PART)

(Continued)

(Continued)



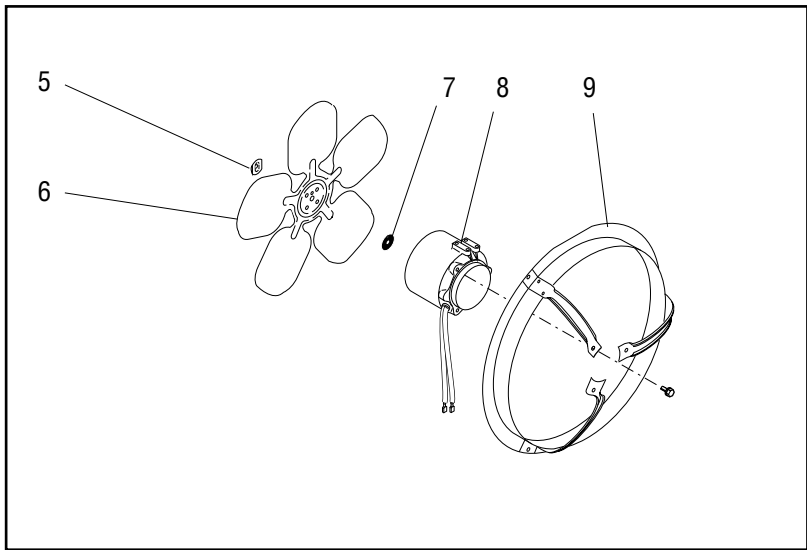
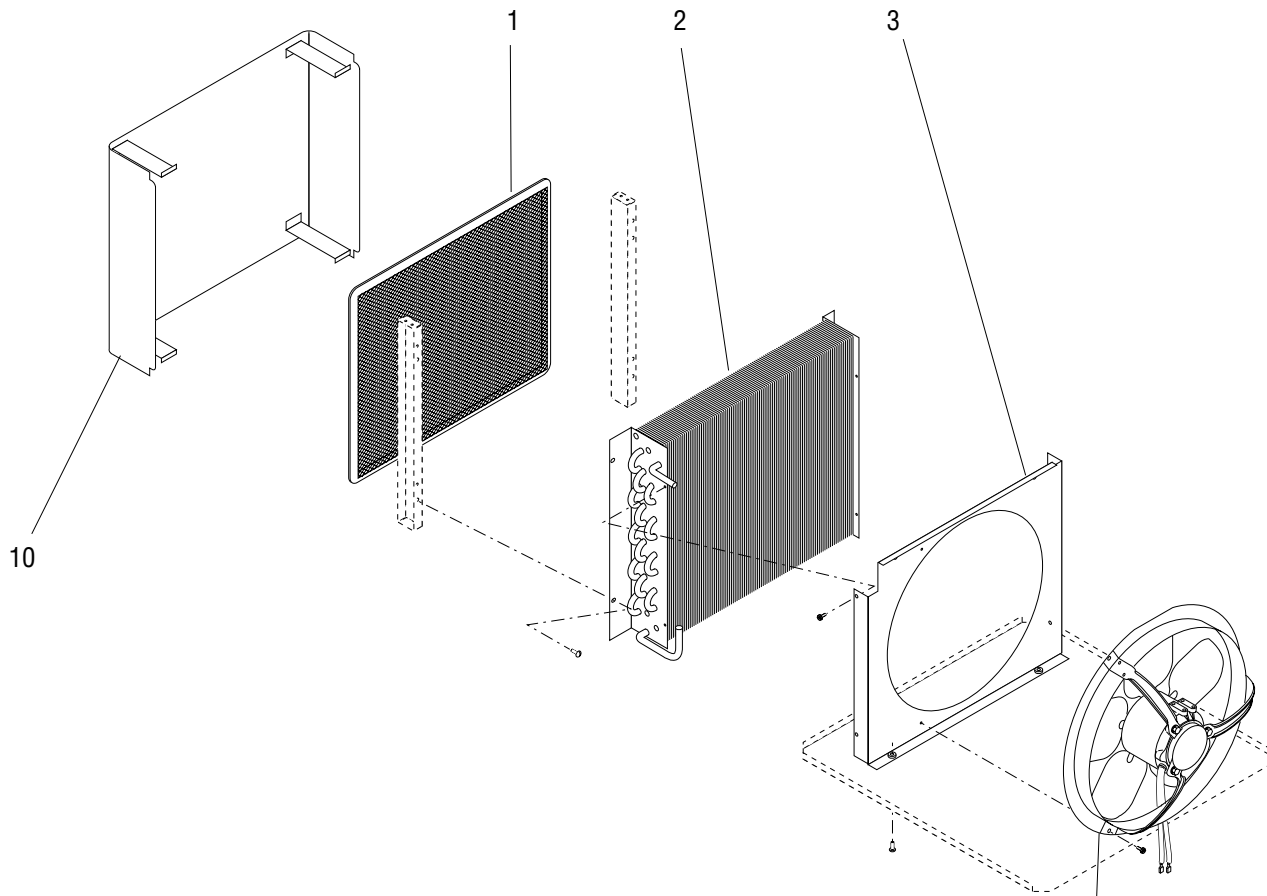
P1941.38

## AUGER DRIVE AND COOLING DRUM

ITEM	PART NO.	QTY.	DESCRIPTION
24	-----	1	Latch, Auger - Long (OBSOLETE PART)
25	-----	1	Latch, Auger - Short (OBSOLETE PART)
26	-----	3	Auger Section (OBSOLETE PART)
27	37593.0000	2	Seal, Cooling Drum (See item 41)
28	26781.0000	2	Bushing, Auger Shaft (See item 41)
29	26792.0000	2	Seal, Cooling Drum/Hopper (See items 39 & 41)
30	-----	2	Drum Assembly, Cooling - WHI (OBSOLETE PART)
	-----	2	Drum Assembly, Cooling - BLK (OBSOLETE PART)
	01377.0000	8	Screw, Flat Head #8-32 x .75"
31	32091.0002	1	Mount Assembly, Cooling Drum - WHI
	32091.0003	1	Mount Assembly, Cooling Drum - BLK
32	-----	1	Drum, Cooling (Not Available. Order item 30)
33	29725.0000	4	Standoff
34	-----	-	Temperature Sensor Assy (See ELECTRICAL AND OPERATING CONTROLS)
35	28027.0000	2	Support, Cooling Drum (For Shipping and Cooling Drum Adjustment)
36	28236.0000	2	Label, DO NOT LIFT HERE (For Shipping Only)
37	32632.0000	2	Latch, Retaining
	01317.0000	4	Screw, Truss Head #8-32 x .50"

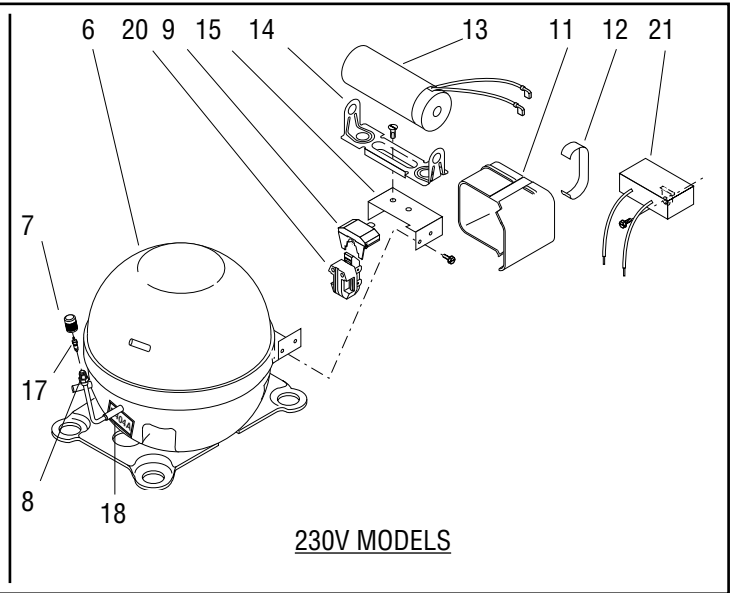
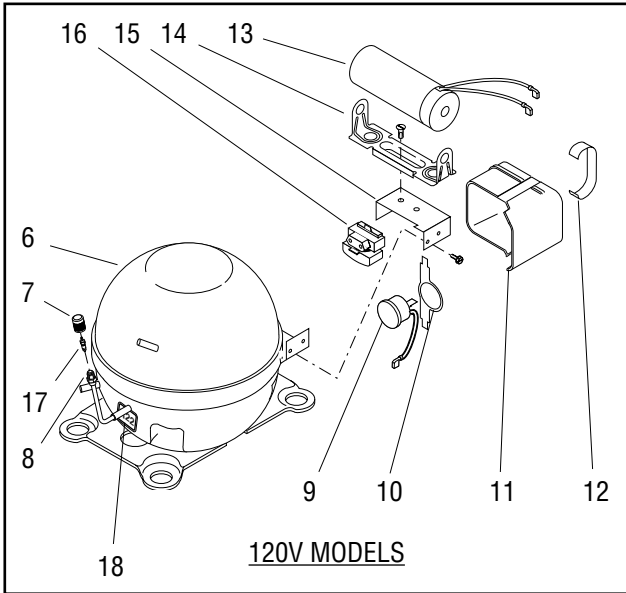
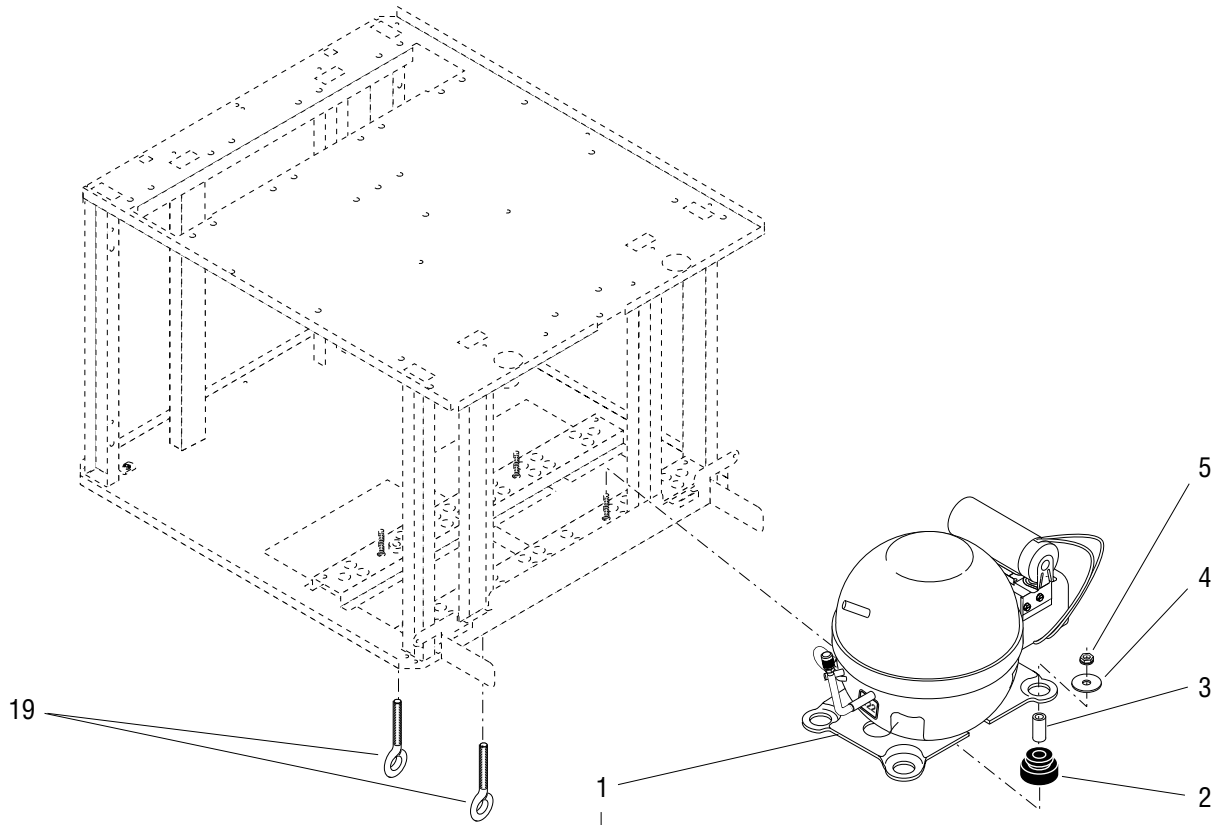
Items 38 through 42 are not illustrated:

38	32175.0000	-	Kit, Latch/Rail (Includes items 10, 11 & 37) (Kit contains parts for one left rail only)
39	M2550.0000	-	Lubricant, Lubri-Film 4 oz.
40	M2548.1000	-	Lubricant, Krytox .50 oz
41	28106.0000	-	Kit, Preventive Maintenance (Includes items 21, 27, 28, 29, four faucet O-rings and two faucet spool plugs)



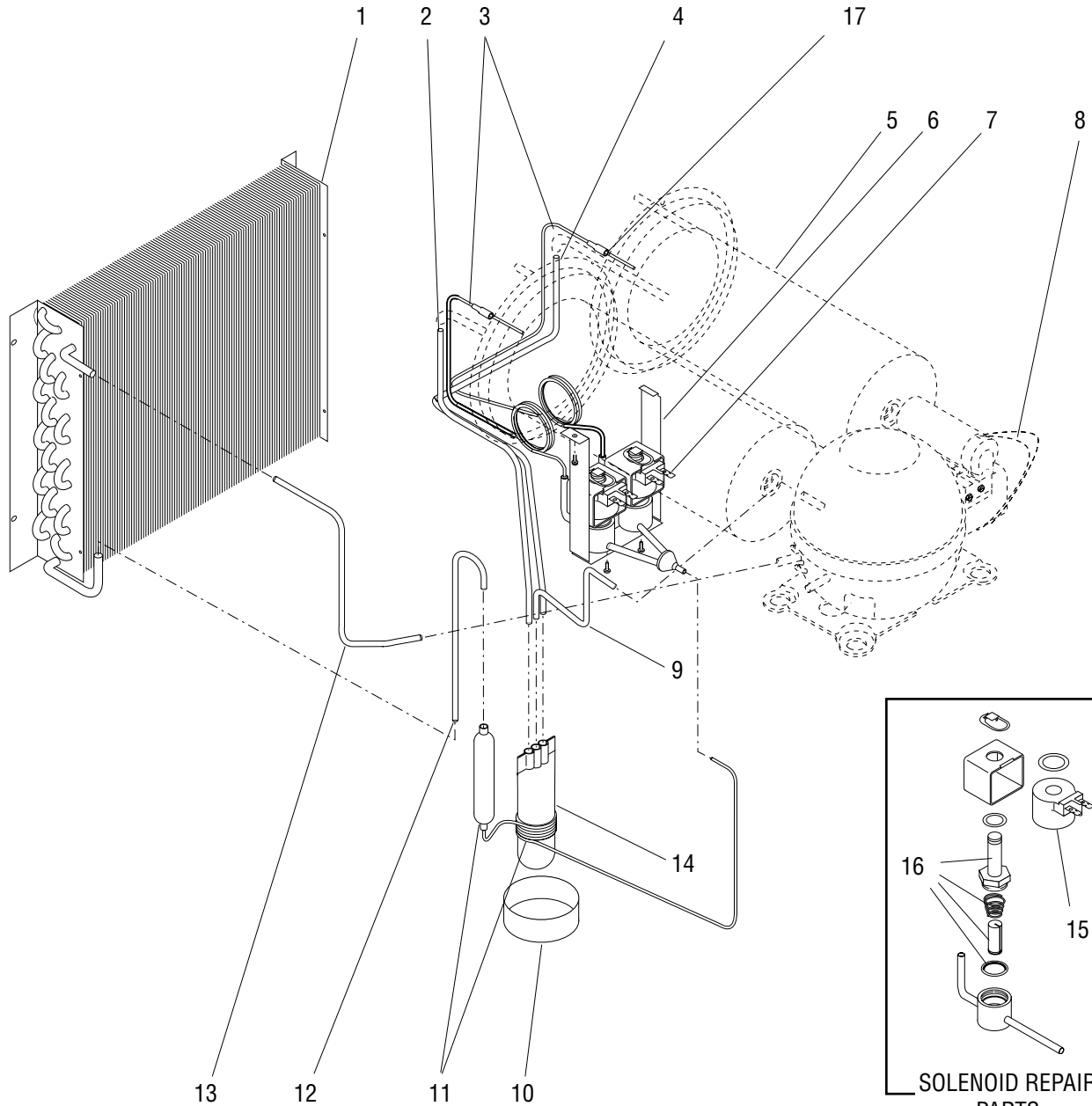
## CONDENSER AND FAN MOUNTING

ITEM	PART NO.	QTY.	DESCRIPTION
1	28122.0000	1	Filter, Air
2	26791.0000	1	Condenser Assy
	02308.0000	4	Screw, Pan Head Serrated #8-32 x .375"
3	-----	1	Shroud, Condenser (OBSOLETE PART)
	02332.0001	4	Screw, Hex Head Crimptite #6 x .25"
	01317.0003	2	Screw, Truss Head - Locking #8-32 x .375"
4	27180.0000	1	Fan Assy, Condenser - 120V (Includes items 5 thru 9)
	29084.0001	1	Fan Assy, Condenser - 230V (Includes items 5 thru 9)
	02332.0002	3	Screw, Hex Head - Thread Cutting #6 x .375"
5	27257.0000	1	Speed Nut, .25"-20
6	27220.0000	1	Blade, Condenser Fan
7	27258.0000	1	Silencer, Fan
8	27221.0000	1	Motor, Condenser Fan - 120V (Includes Leads and Terminals)
	27221.0001	1	Motor, Condenser Fan - 230V (Includes Leads and Terminals)
9	27219.0000	1	Shroud/Mount, Condenser Fan
	27243.0000	3	Screw, Hex Head Thread Forming #8-32 x .437"
10	28049.0000	1	Cover, Rear - SST (Optional)
	28049.0001	1	Cover, Rear - BLK (Optional)



## COMPRESSOR AND MOUNTING

ITEM	PART NO.	QTY.	DESCRIPTION
1	27191.1000	1	Compressor Assy 120V (Includes items 2, 3 & 6 thru 18)
	27191.1001	1	Compressor Assy 230V (Includes items 2, 3, 6, 7, 8, 9, 11 thru 15, 17, 18, 20 & 21)
2	-----	4	Grommet, Compressor Mounting
3	-----	4	Sleeve, Compressor Mounting
			} Order item 22
4	21431.0003	4	Washer, .281" I.D. x 1.0" O.D.
5	23700.0000	4	Nut, Hex Keps .25"-20
6	-----	1	Compressor (Not Available. Order item 1)
7	27641.0000	1	Cap, Access Valve (Procure Locally)
8	-----	1	Valve Assy, Access (Includes items 7 & 17)
9	27407.0000	1	Overload Protector (120V)
	27407.0001	1	Overload Protector (230V)
10	27403.0000	1	Retainer, Overload Protector (120V)
11	27408.0000	1	Cover, Compressor Terminal
12	27404.0000	1	Retainer, Compressor Terminal Cover
13	27405.0000	1	Capacitor, Compressor Start (120V)
	27405.0002	1	Capacitor, Compressor Start (230V)
14	-----	1	Bracket, Capacitor (120V)
	-----	1	Bracket, Capacitor (230V)
	01359.0000	2	Screw, Flat Head #8-32 x .375"
15	-----	1	Bracket, Capacitor Mounting
	02335.0001	2	Screw, Hex Head Crimptite #8 x .375"
16	27406.0000	1	Relay, Compressor Start (120V)
17	27642.0000	1	Valve Core, .25"
18	27269.0000	1	Label - R22 (120V)
	28651.0000	1	Label - R404A (230V)
19	-----	2	Eyebolt (Shipping Only)
	-----	1	Tag, Eyebolt Shipping Notice (Not illustrated)
20	27406.0002	1	Starter, Motor (230V)
21	27405.0001	1	Capacitor, Run (230V)
	02332.0002		Screw, Hex Crimptite #6 x .375"
22	-----	1	Kit, Compressor Mounting (OBSOLETE PART)
23	27645.0000	1	Wiring Harness, Compressor to Main Harness and Contactor (Not Illustrated)

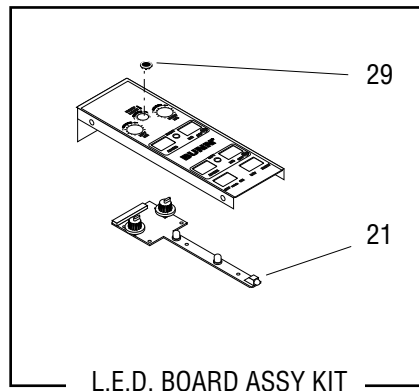
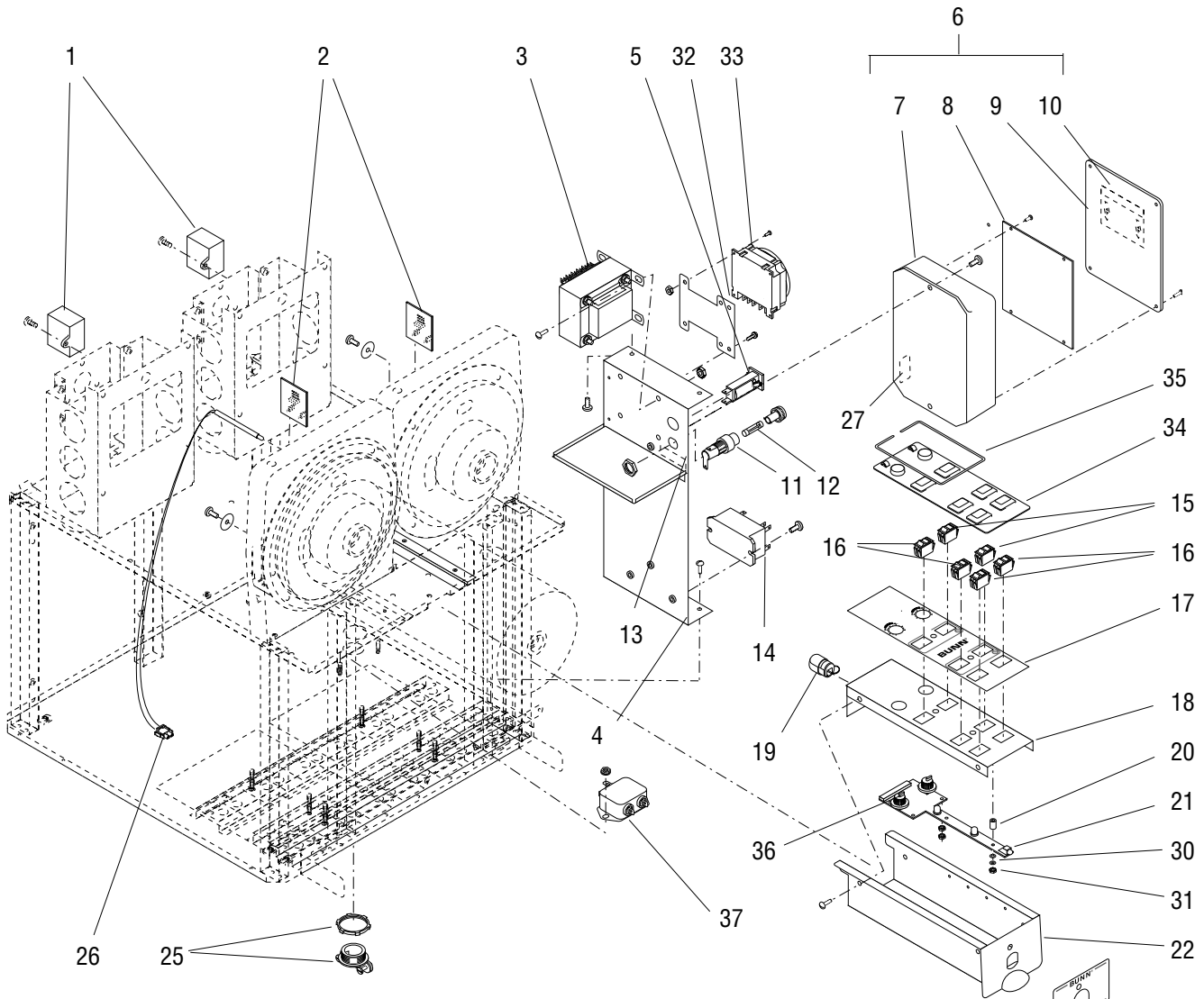




## SOLENOID AND COOLANT PIPING

ITEM	PART NO.	QTY.	DESCRIPTION
1	-----	1	Condenser (See Condenser and Mounting)
2	-----	1	Tube, .312" O.D. Accumulator to Left Cooling Drum
3	27607.1000	1	Tube, .093" O.D. Solenoid to Left Cooling Drum (Requires brazing to install)
	27607.1001	1	Tube, .093" O.D. Solenoid to Right Cooling Drum (Requires brazing to install)
4	-----	1	Tube, .312" O.D. Accumulator to Right Cooling Drum
5	-----	2	Cooling Drum ( See Auger, Auger Shaft and Cooling Drum)
6	-----	1	Bracket, Solenoid Mounting (OBSOLETE PART)
	02332.0001	1	Screw, Hex Head Crimptite #6 x .25"
7	28092.0000	1	Solenoid Assy (120V)
	28092.0001	1	Solenoid Assy (230V)
	01311.0001	4	Screw, Truss Head - Locking #8-32 x .25"
8	-----	1	Compressor (See Compressor Mounting)
9	-----	1	Tube, .312 O.D. Accumulator to Compressor
10	27411.0000	1	Cup, Condensate
11	27187.0000	1	Dryer Assembly (Includes Tube to Solenoid) (Requires brazing to install)
12	-----	1	Tube, .250" O.D. Condenser to Dryer Assembly
13	-----	1	Tube, .250" O.D. Compressor to Condenser
14	27188.0000	1	Accumulator, Suction (Requires brazing to install)
15	28087.0000	1	Coil, Solenoid (120V)
	28087.0001	1	Coil, Solenoid (230V)
16	28091.0000	1	Kit, Solenoid Repair
17	-----	2	Adapter, Reducing (OBSOLETE PART)
18	M2316.0000	-	Insulation, Tube .375" I.D. x 6 ft LG (As Required)
19	00617.0000	20	Tie, BLK Nylon 3.90" LG (As Required)
20	03290.0000	3	Tie, WHI Nylon 11.5" LG

} Not Illustrated



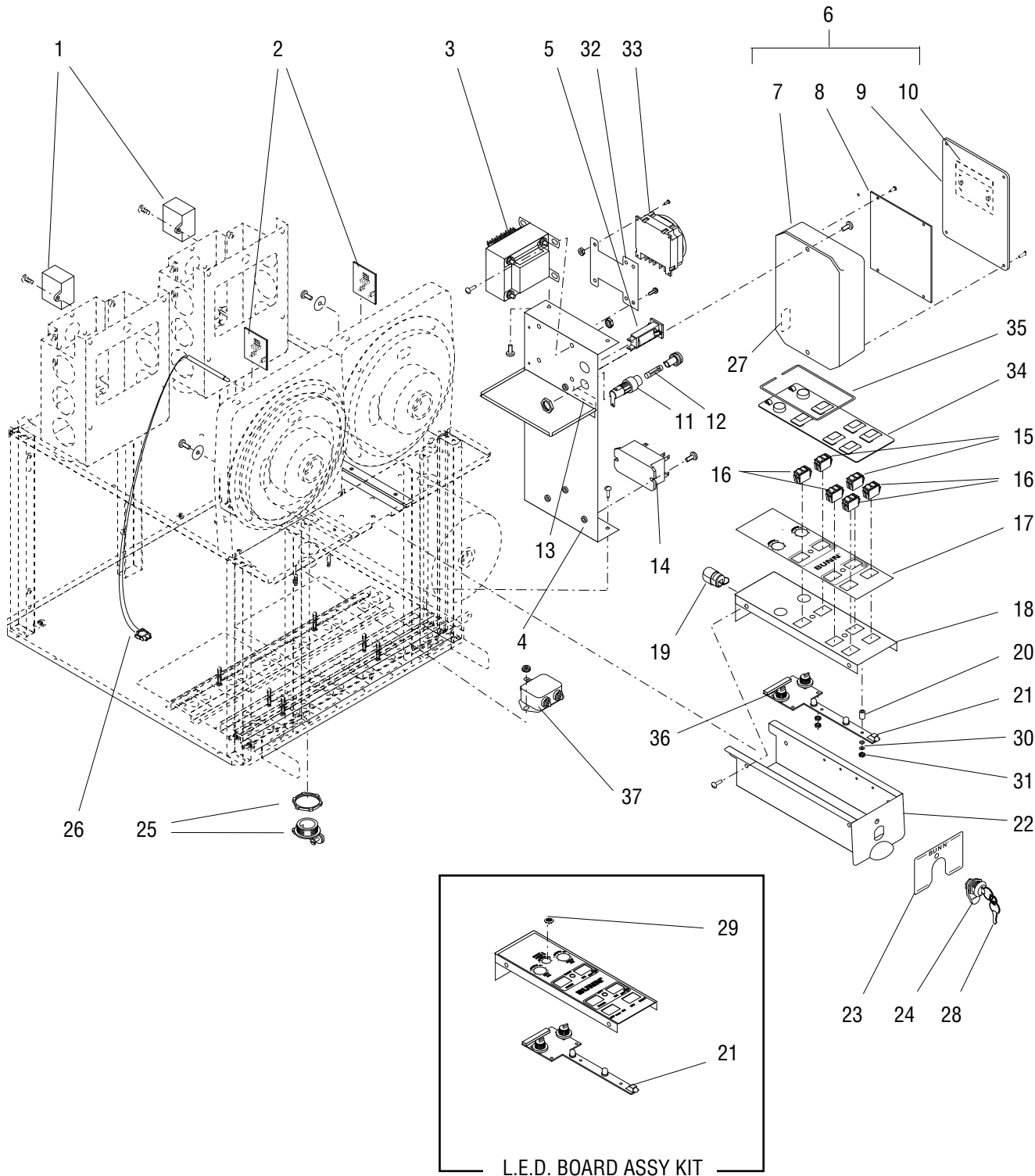
## ELECTRICAL AND OPERATING CONTROLS

ITEM	PART NO.	QTY.	DESCRIPTION
1	27178.0000	2	Capacitor, Auger Motor 370 VAC
	27178.0001	2	Capacitor, Auger Motor 500 VAC
2	27939.1000	2	Circuit Board, Torque Sensor
	01317.0003	2	Screw, Truss Head - Locking #8-32 x .375"
	02360.0000	2	Washer, .188" I.D. x .75" O.D.
3	27644.1000	1	Transformer, 12V 80VA (Includes Leads, Terminal, Plug and Fuse)
	-----	1	Transformer, 115/230V (OBSOLETE PART)
	01315.0000	4	Screw, Truss Head - #8-32 x .375"
	00970.0000	4	Nut, Keps #8-32
4	-----	1	Bracket, Electronic Control Mounting (OBSOLETE PART)
	01317.0003	4	Screw, Truss Head - Locking #8-32 x .375"
5	27181.0000	1	Circuit Breaker, 5 amp
6	27412.1000	1	Electronic Control (Includes items 7 thru 10 & 27)
	01317.0000	2	Screw, Truss Head #8-32 x .375"
7	-----	1	Housing, Circuit Board
8	-----	1	Circuit Board
	-----	4	Screw
9	-----	1	Cover, Circuit Board Housing (Includes item 10)
	-----	4	Screw
10	12559.0003	1	Decal - Warning High Voltage
11	03231.0000	1	Holder Assy, Fuse (Includes Cap and Mounting Nut)
12	27441.0000	1	Fuse, 5 amp
13	27443.0000	1	Decal, Fuse
14	25948.0000	1	Relay, 120V (CDS-2)
	25948.0001	1	Relay, 230V (CDSA-2)
	01317.0003	2	Screw, Truss Head - Locking #8-32 x .375"
15	27437.0000	2	Switch, ON/OFF Ice
16	20317.0000	4	Switch, ON/OFF - Day/Night - Left & Right Auger
17	28090.0000	1	Decal, Control Panel
18	28088.0000	1	Panel, Control (Includes item 17)
	01317.0003	4	Screw, Truss Head Locking #8-32 x .375"
19	01666.0001	1	Bushing, Strain Relief - 90° .75" Dia
20	01533.0005	5	Spacer, Nylon .375"
21	28089.1000	1	Kit, L.E.D./ Adjustment Board (Includes items 29 & 36)
	27433.0000	6	Nut, Hex Keps #4-40
22	-----	1	Drawer W/Decal SST (OBSOLETE PART)
	-----	1	Drawer W/Decal BLK (OBSOLETE PART)

Not Available.  
Order item 6

(Continued)

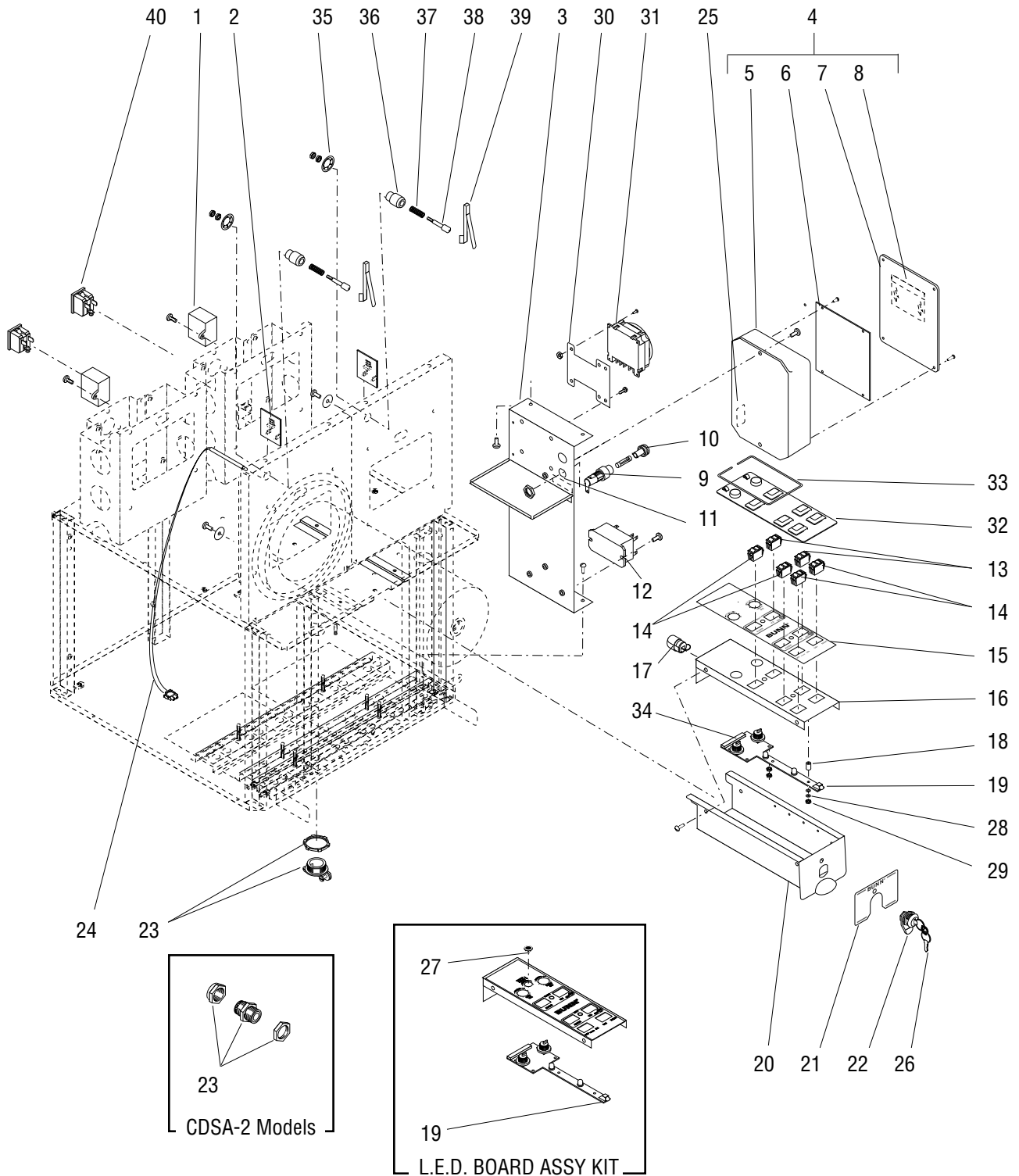
(Continued)



## ELECTRICAL AND OPERATING CONTROLS

ITEM	PART NO.	QTY.	DESCRIPTION
23	27438.0000	1	Decal, Drawer - Front SST
	-----	1	Decal, Drawer - Front BLK (OBSOLETE PART)
24	11628.0001	1	Lock Assy, Drawer (Includes item 28)
25	01685.0000	1	Connector, Cord .50MPT (Includes Nut)
26	27246.0000	2	Temperature Sensor Assy (Includes Connector)
27	-----	1	Cover, Hole (OBSOLETE PART)
28	28095.0000	2	Key, Drawer Lock Assy. (Set of Two)
29	00669.0003	1	Plug, Hole - Black .43" Dia
30	27088.0000	1	Washer, Nylon #6
31	01521.0000	1	Washer, SST #6
32	28507.0000	1	Bracket, Timer Mounting
	02332.0002	2	Screw, Hex Crimptite #6 x .375"
33	28503.0000	1	Timer, 120V
	28503.0001	1	Timer, 240V
	21717.0000	4	Screw, Pan Head #6-32 x .375"
	00973.0000	4	Nut, Keps #6-32
34	28185.1000	1	Cover, Switch (Includes item 35)
35	29207.0000	1	Bail, Switch Cover
36	27396.0000	1	Knob, Temperature Adjustment
37	29446.0000	1	EMI Filter (CDSA-2 Only)
	00971.0000	2	Nut, Keps #10 - 32
38	01637.0002	1	Cord, Power (120V)
	27728.0006	1	Cord, Power (230V)
39	27659.0000	1	Wiring Harness, Main
40	21014.0123	1	Lead Electrical, Ground - 14AWG GRN 11" LG
	00971.0000	2	Nut, Keps #10-32
41	00617.0000	10	Tie, BLK Nylon 3.90" LG (As Required)
42	12919.0000	4	Cap, Terminal

} Not Illustrated

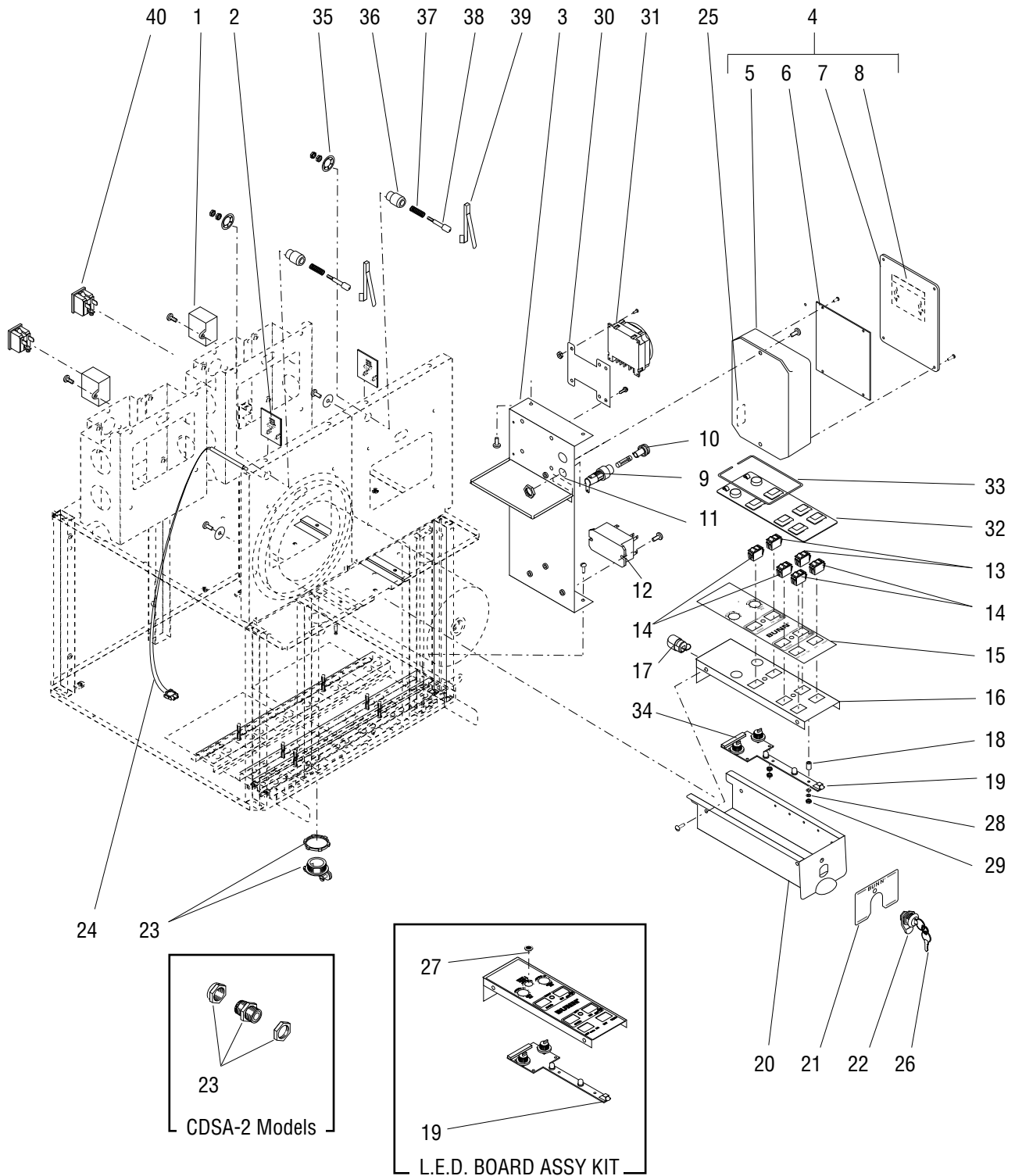


## ELECTRICAL AND OPERATING CONTROLS

ITEM	PART NO.	QTY.	DESCRIPTION	
1	27178.0000	2	Capacitor, Auger Motor	
2	27939.1000	2	Circuit Board, Torque Sensor	
	01317.0003	2	Screw, Truss Head - Locking #8-32 x .375"	
	02360.0000	2	Washer, .188" I.D. x .75" O.D.	
3	-----	1	Bracket, Electronic Control Mounting (OBSOLETE PART)	
	01317.0003	4	Screw, Truss Head - Locking #8-32 x .375"	
4	27412.1000	1	Electronic Control (Includes items 5 thru 8 & 27)	
	01317.0000	2	Screw, Truss Head #8-32 x .375"	
5	-----	1	Housing, Circuit Board	} Not Available. Order item 4
6	-----	1	Circuit Board	
	-----	4	Screw	
7	-----	1	Cover, Circuit Board Housing (Includes item 8)	
	-----	4	Screw	
8	12559.0003	1	Decal - Warning High Voltage	
9	03231.0000	1	Holder Assy, Fuse (Includes Cap and Mounting Nut)	
10	27441.0000	1	Fuse, 5 amp	
11	27443.0000	1	Decal, Fuse	
12	25948.0000	1	Relay, 120V	
	01317.0003	2	Screw, Truss Head - Locking #8-32 x .375"	
13	27437.0000	2	Switch, ON/OFF Ice	
14	20317.0000	4	Switch, ON/OFF - Day/Night - Left & Right Auger	
15	28090.0000	1	Decal, Control Panel	
16	28088.0000	1	Panel, Control (Includes item 15)	
	01317.0003	4	Screw, Truss Head Locking #8-32 x .375"	
17	01666.0001	1	Bushing, Strain Relief - 90° .75" Dia	
18	01533.0005	5	Spacer, Nylon .375"	
19	28089.1000	1	Kit, L.E.D./ Adjustment Board (Includes items 27 & 34)	
	27433.0000	6	Nut, Hex Keps #4-40	
20	-----	1	Drawer W/Decal SST (OBSOLETE PART)	
21	27438.0000	1	Decal, Drawer - Front SST	
22	11628.0001	1	Lock Assy, Drawer (Includes item 26)	
23	01685.0000	1	Connector, Cord .50MPT (Includes Nut) (CDS-2 models)	
	05746.0000	1	Bushing, Strain Relief (CDSA-2 models)	
24	27246.0000	2	Temperature Sensor Assy (Includes Connector)	
25	-----	1	Cover, Hole (OBSOLETE PART)	

(Continued)

(Continued)





## ELECTRICAL AND OPERATING CONTROLS

ITEM	PART NO.	QTY.	DESCRIPTION
26	28095.0000	2	Key, Drawer Lock Assy. (Set of Two)
27	00669.0003	1	Plug, Hole - Black .43" Dia
28	27088.0000	1	Washer, Nylon #6
29	01521.0000	1	Washer, SST #6
30	28507.0000	1	Bracket, Timer Mounting
	02332.0002	2	Screw, Hex Crimptite #6 x .375"
31	28503.0000	1	Timer, 120V
	21717.0000	4	Screw, Pan Head #6-32 x .375"
	00973.0000	4	Nut, Keps #6-32
32	28185.1000	1	Cover, Switch (Includes item 33)
33	29207.0000	1	Bail, Switch Cover
34	27396.0000	1	Knob, Temperature Adjustment
35	29742.0000	2	Push Nut
36	29726.0000	2	Housing
37	27788.0000	2	Spring
38	27748.0000	2	Pin
	00906.0000	4	Nut #6-32
39	29728.1000	2	Probe, Level (3.50")
	29728.1001	2	Probe, Level (1.86")
40	03628.0000	2	Receptacle
41	01637.0002	1	Cord, Power (120V)
42	27659.0000	1	Wiring Harness, Main
43	21014.0123	1	Lead Electrical, Ground - 14AWG GRN 11" LG
	00971.0000	2	Nut, Keps #10-32
44	00617.0000	10	Tie, BLK Nylon 3.90" LG (As Required)
45	12919.0000	4	Cap, Terminal
46	29759.0000	1	Wiring Harness, Power (CDS-2 PAF)
	29759.0002	1	Wiring Harness, Power (CDSA-2 PAF)
47	29763.0000	2	Resister, Probe Detector
48	32501.0000	1	Voltage Divider (120V)
	32501.0001	1	Voltage Divider (240V)

] Not Illustrated

# NUMERICAL INDEX

PART NO. ....	PAGE NO.	PART NO. ....	PAGE NO.	PART NO. ....	PAGE NO.	PART NO. ....	PAGE NO.
00617.0000	25,29,33	24566.0000	9	27257.0000	21	28049.0001	21
00619.0000	7	25948.0000	27,31	27258.0000	21	28062.0000	9
00669.0003	29,33	25948.0001	27	27269.0000	23	28078.0000	5
00906.0000	33	26528.0000	7	27394.0000	5	28078.0001	5
00927.0000	7	26713.1000	11	27394.0001	5	28079.1000	9
00970.0000	27	26714.1000	9	27396.0000	29,33	28079.1001	9
00971.0000	29,33	26714.1001	9	27403.0000	23	28079.1002	9
00973.0000	29,33	26717.0000	9	27404.0000	23	28080.1000	9,11
00986.0002	7	26780.0000	13,17	27405.0000	23	28080.1001	9,11
01311.0001	13,17,25	26781.0000	13,19	27405.0001	23	28081.0000	13,17
01315.0000	27	26784.0000	9,11	27405.0002	23	28082.0000	9
01317.0000	19,27,31	26786.0000	9,11	27406.0000	23	28082.0007	9
01317.0001	13,17	26786.0001	9,11	27406.0002	23	28083.0000	9,11
01317.0003	5,13,17,21,27,31	26786.0002	9	27407.0000	23	28086.0000	5
01326.0002	13,17	26786.0003	9	27407.0001	23	28086.0001	5
01330.0000	17	26788.0000	9,11	27408.0000	23	28087.0000	25
01359.0000	23	26791.0000	21	27410.0000	5	28087.0001	25
01377.0000	15,19	26792.0000	13,19	27411.0000	25	28088.0000	27,31
01501.0000	13,17	26793.0000	9,11	27412.1000	27,31	28089.1000	27,31
01521.0000	29,33	26793.0001	9,11	27433.0000	27,31	28090.0000	27,31
01522.0000	17	26958.0000	5	27437.0000	27,31	28091.0000	25
01532.0001	9	26958.0001	5	27438.0000	29,31	28092.0000	25
01533.0005	27,31	26972.0000	9,11	27440.0000	13,17	28092.0001	25
01637.0002	29,33	27058.0000	5	27441.0000	27,31	28093.1000	13,17
01666.0001	27,31	27058.0001	7	27442.0000	5	28093.1001	13
01685.0000	29,31	27058.0002	5	27443.0000	27,31	28095.0000	29,33
02308.0000	21	27058.0003	7	27444.0000	7	28095.0001	29,33
02329.0000	5	27088.0000	29,33	27445.1000	9	28098.0000	7
02331.0000	17	27131.0000	7	27446.0000	9	28106.0000	15,19
02332.0001	5,7,21,25	27131.0001	7	27447.0000	9	28107.0000	9,11
02332.0002	21,23,29,33	27135.0001	9	27448.0000	9	28122.0000	21
02335.0001	13,23	27136.0002	5	27556.0000	5	28125.0000	7
02360.0000	27,31	27136.0003	5	27556.0002	5	28185.1000	29,33
03231.0000	27,31	27137.0000	9,11	27557.0000	7	28216.1000	9,11
03290.0000	25	27178.0000	27,31	27558.0000	5	28216.1001	9,11
03628.0000	33	27178.0001	27	27558.0001	5	28236.0000	19
03851.0000	9	27180.0000	21	27558.0002	5	28270.0000	7
03996.0000	5	27181.0000	27	27558.0003	5	28391.0000	9,11
05746.0000	31	27187.0000	25	27607.1000	25	28503.0000	29,33
11556.0001	13	27188.0000	25	27607.1001	25	28503.0001	29
11556.0001	17	27191.1000	23	27641.0000	23	28507.0000	29,33
11628.0001	29,31	27191.1001	23	27642.0000	23	28537.0000	13
12421.1001	7	27219.0000	21	27643.0000	9	28651.0000	23
12421.1002	7	27220.0000	21	27644.1000	27	28776.0000	9
12421.1003	7	27221.0000	21	27645.0000	23	29084.0001	21
12559.0003	27,31	27221.0001	21	27659.0000	29	29207.0000	29,33
12919.0000	29,33	27223.0000	13,17	27659.0001	5,33	29373.0000	7
13255.0003	7	27224.0000	13,17	27660.1002	5	29446.0000	29
20317.0000	27,31	27228.0000	13,17	27664.0000	7	29591.0001	17
21014.0123	29,33	27231.0000	13	27728.0006	29	29591.0002	17
21431.0003	23	27231.0001	13	27748.0000	33	29724.0000	17
21436.0000	5	27232.0000	13,17	27748.0001	33	29725.0000	19
21437.1000	5	27235.0000	9	27788.0000	33	29726.0000	33
21717.0000	29,33	27243.0000	21	27938.0000	9	29728.1000	33
23700.0000	23	27246.0000	29,31	27939.1000	27,31	29728.1001	33
24457.0001	17	27256.0000	9	28027.0000	15,19	29742.0000	33
				28049.0000	21	29759.0000	33

# NUMERICAL INDEX

PART NO. ....	PAGE NO.	PART NO. ....	PAGE NO.	PART NO. ....	PAGE NO.	PART NO. ....	PAGE NO.
29759.0002.....	33						
29763.0000.....	33						
29844.0000.....	17						
32068.0000.....	5						
32091.0002.....	15,19						
32091.0003.....	15,19						
32106.1000.....	13,17						
32175.0000.....	19						
32267.1000.....	9						
32449.0000.....	13,17						
32501.0000.....	33						
32501.0001.....	33						
32580.0000.....	5,7						
32632.0000.....	19						
34836.0000.....	13,17						
34836.0001.....	13,17						
37593.0000.....	13,19						
M2316.0000 .....	25						
M2548.1000 .....	15,19						
M2550.0000 .....	9,11,15,19						