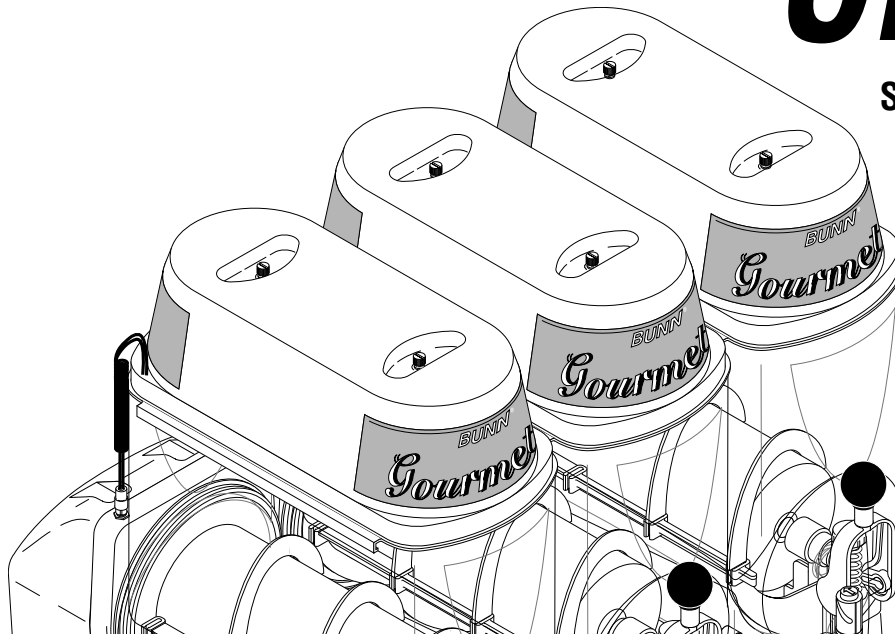


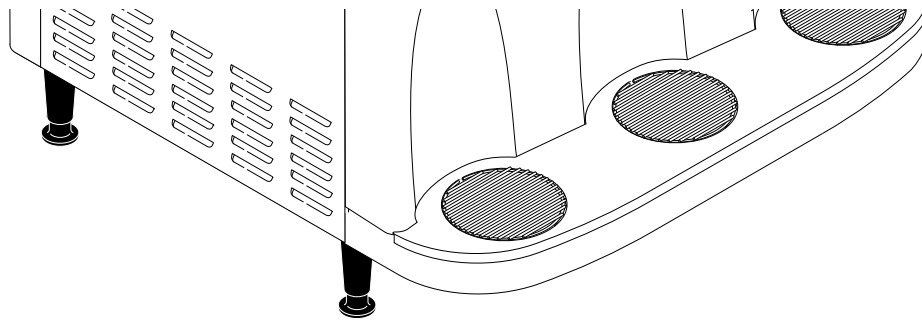
BUNN®

CDS-3

S/N CDS0019500 - UP



DISCONTINUED VERSION
Parts listed in this catalog
may no longer be available.



ILLUSTRATED PARTS CATALOG

Designs, materials, weights, specifications, and dimensions for equipment or replacement parts are subject to change without notice.

BUNN-O-MATIC CORPORATION

POST OFFICE BOX 3227

SPRINGFIELD, ILLINOIS 62708-3227

PHONE: (217) 529-6601 FAX: (217) 529-6644

BUNN-O-MATIC COMMERCIAL PRODUCT WARRANTY

Bunn-O-Matic Corp. ("BUNN") warrants equipment manufactured by it as follows:

- 1) All equipment other than as specified below: 2 years parts and 1 year labor.
- 2) Electronic circuit and/or control boards: parts and labor for 3 years.
- 3) Compressors on refrigeration equipment: 5 years parts and 1 year labor.
- 4) Grinding burrs on coffee grinding equipment to grind coffee to meet original factory screen sieve analysis: parts and labor for 3 years or 30,000 pounds of coffee, whichever comes first.

These warranty periods run from the date of installation BUNN warrants that the equipment manufactured by it will be commercially free of defects in material and workmanship existing at the time of manufacture and appearing within the applicable warranty period. This warranty does not apply to any equipment, component or part that was not manufactured by BUNN or that, in BUNN's judgment, has been affected by misuse, neglect, alteration, improper installation or operation, improper maintenance or repair, damage or casualty. This warranty is conditioned on the Buyer 1) giving BUNN prompt notice of any claim to be made under this warranty by telephone at (217) 529-6601 or by writing to Post Office Box 3227, Springfield, Illinois 62708-3227; 2) if requested by BUNN, shipping the defective equipment prepaid to an authorized BUNN service location; and 3) receiving prior authorization from BUNN that the defective equipment is under warranty.

THE FOREGOING WARRANTY IS EXCLUSIVE AND IS IN LIEU OF ANY OTHER WARRANTY, WRITTEN OR ORAL, EXPRESS OR IMPLIED, INCLUDING, BUT NOT LIMITED TO, ANY IMPLIED WARRANTY OF EITHER MERCHANTABILITY OR FITNESS FOR A PARTICULAR PURPOSE. The agents, dealers or employees of BUNN are not authorized to make modifications to this warranty or to make additional warranties that are binding on BUNN. Accordingly, statements by such individuals, whether oral or written, do not constitute warranties and should not be relied upon.

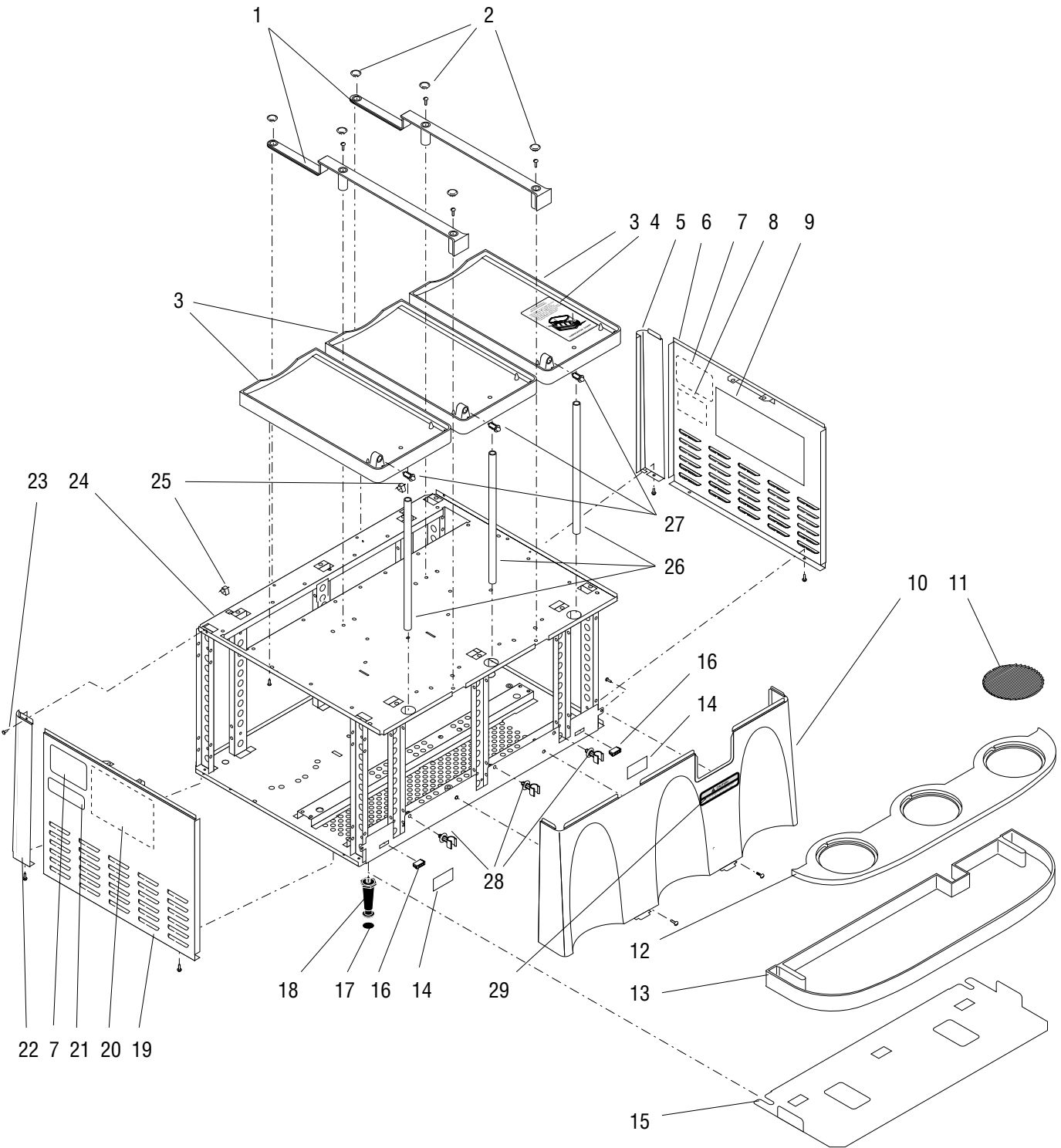
If BUNN determines in its sole discretion that the equipment does not conform to the warranty, BUNN, at its exclusive option while the equipment is under warranty, shall either 1) provide at no charge replacement parts and/or labor (during the applicable parts and labor warranty periods specified above) to repair the defective components, provided that this repair is done by a BUNN Authorized Service Representative; or 2) shall replace the equipment or refund the purchase price for the equipment.

THE BUYER'S REMEDY AGAINST BUNN FOR THE BREACH OF ANY OBLIGATION ARISING OUT OF THE SALE OF THIS EQUIPMENT, WHETHER DERIVED FROM WARRANTY OR OTHERWISE, SHALL BE LIMITED, AT BUNN'S SOLE OPTION AS SPECIFIED HEREIN, TO REPAIR, REPLACEMENT OR REFUND.

In no event shall BUNN be liable for any other damage or loss, including, but not limited to, lost profits, lost sales, loss of use of equipment, claims of Buyer's customers, cost of capital, cost of down time, cost of substitute equipment, facilities or services, or any other special, incidental or consequential damages.

TABLE OF CONTENTS

Accumulator, Evaporator/Cooling Drum Piping	30
Auger Drive and Evaporator/Cooling Drum (w/o PAF)	14
Auger Drive and Cooling Drum (w/PAF)	18
Compressor and Mounting.....	24
Condenser, Fan and Air Flow Control Mounting.....	22
Electrical and Operating Controls (w/o PAF).....	32
Electrical and Operating Controls (w/PAF).....	36
Expansion Valve/Solenoid and Evaporator/Cooling Drum Piping.....	28
Frame, Panels, Drip Trays and Legs	4
Hopper and Top Cover (w/o PAF)(Early Models)	8
Hopper and Top Cover (w/o PAF)(Late Models)	10
PAF Hopper and Faucet	12
Numerical Index	40
Sight Gauge, Filter/Dryer , Expansion Valve/Solenoid and Piping.....	26
Instructional Video	7

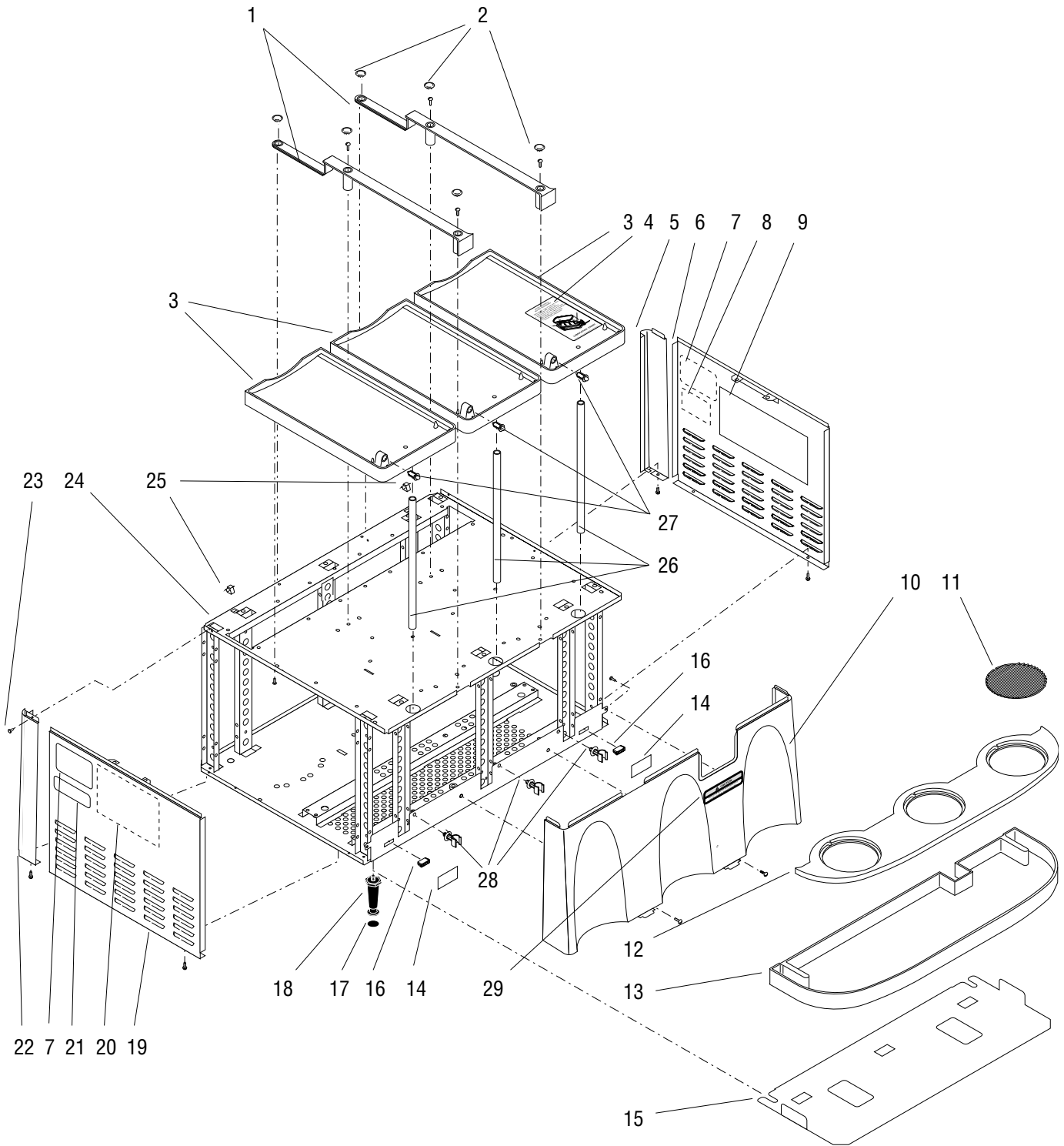


FRAME, PANELS, DRIP TRAYS AND LEGS

ITEM	PART NO.	QTY.	DESCRIPTION
1	27136.0002	2	Trim, Hopper/Drip Tray - WHI
	27136.0003	2	Trim, Hopper/Drip Tray - BLK
	02329.0000	4	Screw, Truss Head - Locking #8-32 x .312"
2	27394.0000	6	Plug, Plastic - WHI
	27394.0001	6	Plug, Nylon - BLK
3	28078.0000	3	Drip Tray, Hopper - WHI (Includes item 4)
	28078.0001	3	Drip Tray, Hopper - BLK (Includes item4)
	01317.0003	12	Screw, Truss Head - Locking #8-32 x .375"
4	27664.0000	1	Decal, Lubrication
5	27058.0000	1	Corner, Right Rear - SST
	27058.0002	1	Corner, Right Rear - BLK
	02332.0001	1	Screw, Hex Head Crimptite #6 x .25" (Early models)
	32580.0000	1	Screw, Washer Head #6-32 x .25" (Late models)
6	28644.0000	1	Panel W/Decals, Right Side - SST (Includes items 7, 8 & 9)
	28644.0003	1	Panel W/Decals, Right Side - BLK (Includes items 7, 8 & 9)
	02332.0001	2	Screw, Hex Head Crimptite #6 x .25" (Early models)
	32580.0000	2	Screw, Washer Head #6-32 x .25" (Late models)
7	27442.0000	2	Decal, Warning - Moving Parts
8	00986.0002	1	Decal, Warning - Electrical
9	28574.0000	1	Schematic, Electrical (CDS-3)
	28574.0002	1	Schematic, Electrical (CDS-3 PAF)
10	-----	1	Panel W/Decal, Front - SST (OBSOLETE PART)
	-----	1	Panel W/Decal, Front - BLK (OBSOLETE PART)
	01317.0003	2	Screw, Truss Head - Locking #8-32 x .375"
	02332.0001	2	Screw, Hex Head Crimptite #6 x .25" (Early models)
	32580.0000	2	Screw, Washer Head #6-32 x .25" (Late models)
11	26958.0000	3	Grate, Drip Tray - SST
	26958.0001	3	Grate, Drip Tray - BLK
12	28505.0000	1	Cover, Lower Drip Tray - WHT
	28505.0001	1	Cover, Lower Drip Tray - BLK
13	29220.1000	1	Drip Tray, Lower - WHT (Includes item 14)
	29220.1001	1	Drip Tray, Lower - BLK (Includes item 14)
14	21437.1000	2	Strike Assy, Self Adhesive
15	-----	1	Support, Drip Tray (OBSOLETE PART)
16	21436.0000	2	Catch, Magnetic
17	03996.0000	4	Pad, Rubber .125" Dia (See item 30)
18	26528.0000	4	Leg, Black Plastic - 4" Adjustable .375" Thd (See item 30)
19	29369.0000	1	Panel W/Decals, Left Side - SST (Includes items 7, 20 & 21)
	29369.0001	1	Panel W/Decals, Left Side - BLK (Includes items 7, 20 & 21)
	02332.0001	2	Screw, Hex Head Crimptite #6 x .25" (Early models)
	32580.0000	2	Screw, Washer Head #6-32 x .25" (Late models)

(Continued)

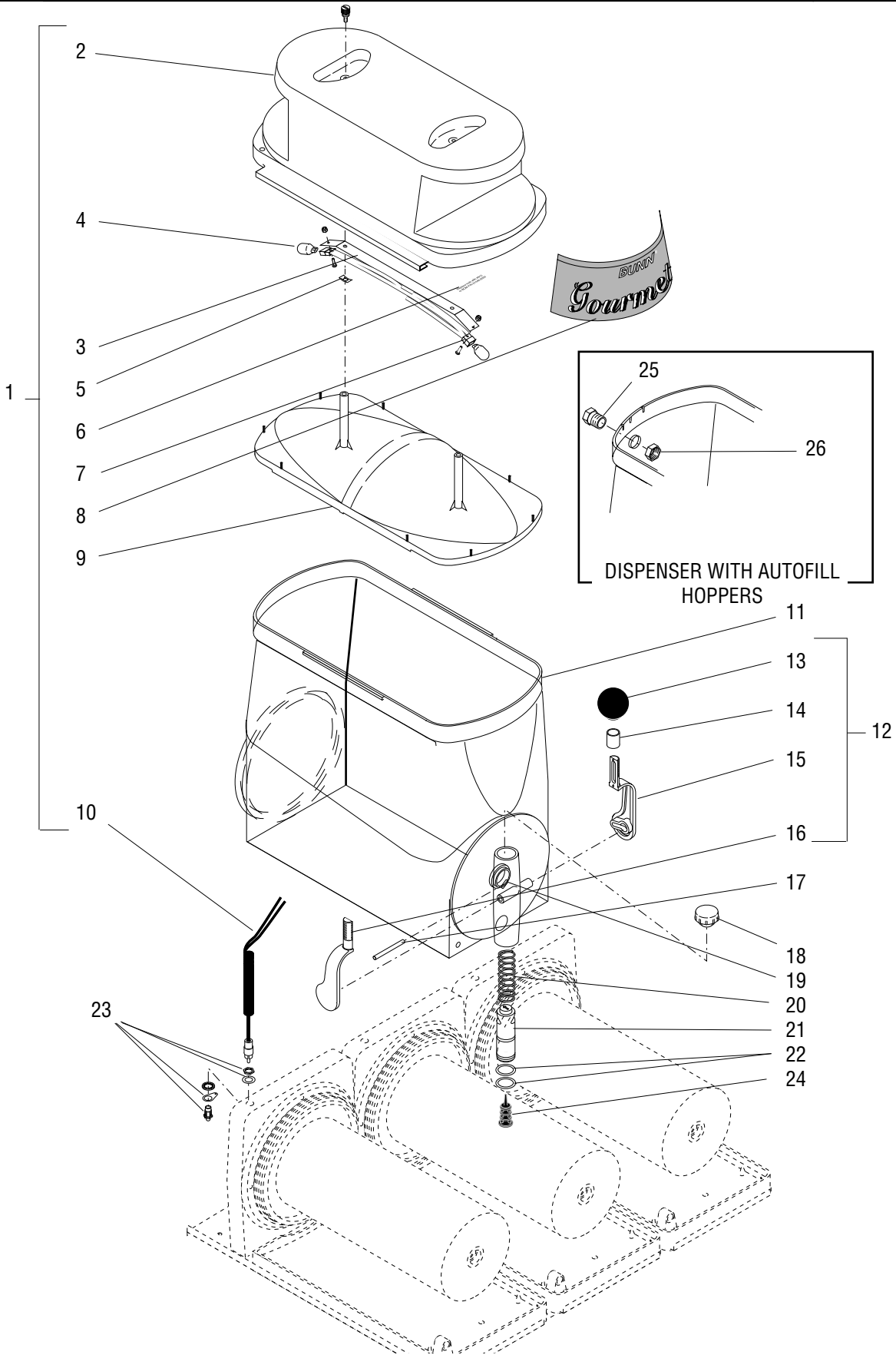
(Continued)



FRAME, PANELS, DRIP TRAYS AND LEGS

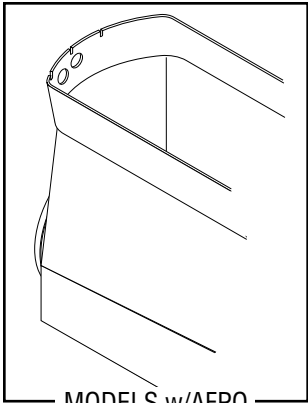
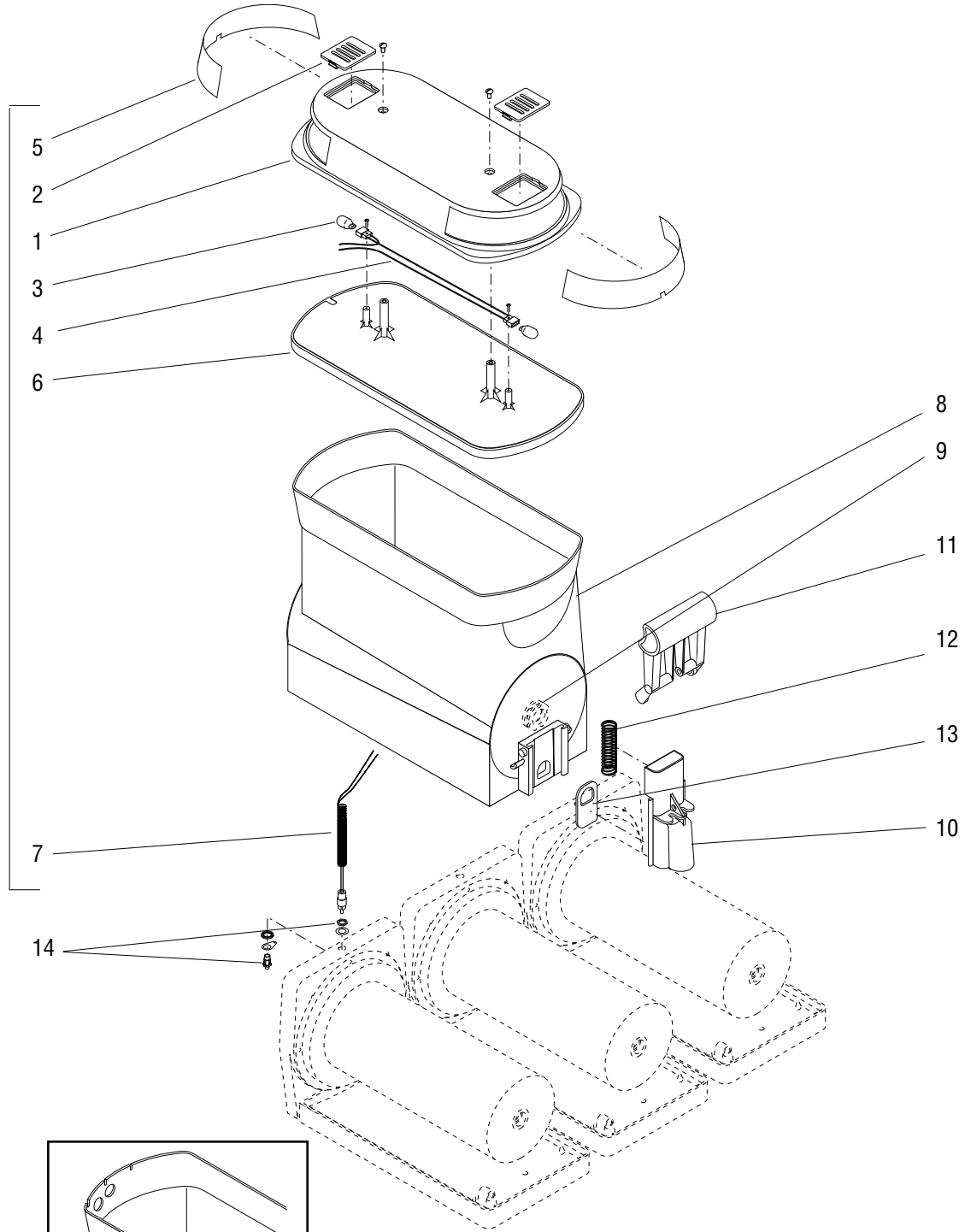
ITEM	PART NO.	QTY.	DESCRIPTION
20	29428.0000	1	Schematic, Refrigerant
21	29424.0000	1	Decal, Refrigerant Charge
22	27058.0001	1	Corner, Left Rear - SST
	27058.0003	1	Corner, Left Rear - BLK
	02332.0001	1	Screw, Hex Head Crimptite #6 x .25" (Early models)
	32580.0000	1	Screw, Washer Head #6-32 x .25" (Late models)
23	28098.0000	2	Fastener, Snap-in
24	-----	1	Frame, Base (CDS-3) (OBSOLETE PART)
	-----	1	Frame, Base (CDSA-3) (OBSOLETE PART)
25	00927.0000	4	Clip, Spring
26	-----	3	Tube, Drain .375" I.D. x .50" O.D. x 10.88" (Order item 31)
27	29702.1000	3	Plunger Assy, Hopper Lock
28	27410.0000	3	Clip, Tube
29	28720.0000	1	Decal, Caution - Instructional Video
30	13255.0003	-	Leg Kit (Includes 4 Legs and 4 Pads)
31	12421.1001	-	Tube, Clear Vinyl (12" Long)
	12421.1002	-	Tube, Clear Vinyl (60" Long)
	12421.1003	-	Tube, Clear Vinyl (120" Long)
32	28125.0000	-	Instructional Video

} Not Illustrated



TOP COVER AND HOPPER (EARLY MODELS)

ITEM	PART NO.	QTY.	DESCRIPTION
1	28082.0000	3	Cover Assy. Hopper - WHI (Includes items 2 thru 10)
	28082.0007	3	Cover Assy. Hopper - BLK (Includes items 2 thru 10)
2	26714.1000	1	Cover, Hopper - WHI
	26714.1001	1	Cover, Hopper - BLK
	28062.0000	2	Screw, Knurled Thumb #8-32
3	27235.0000	1	Bracket, Lamp Mounting
4	27446.0000	2	Lamp, T-5 Wedge Base
5	27256.0000	2	Fastener, Push-on
6	27938.0000	1	Decal, Lamp Replacement
7	27445.1000	1	Lamp Holder/Socket Assy (Includes two of item 26)
	27448.0000	2	Screw, Pan Head #2-56 x .50"
	27447.0000	2	Nut, Elastic Lock #2-56
8	27135.0001	2	Display Insert, Hopper Cover
9	26717.0000	1	Liner Assy, Hopper Cover
10	32267.1000	1	Cord Assy, Lamp (Includes two of item 26)
11	28079.1000	3	Hopper Assy. (Includes item 19) (Hoppers W/Out Autofill holes)
	28079.1001	3	Hopper Assy. (Includes item 19) (Hoppers with 1 Autofill hole)
	28079.1002	3	Hopper Assy. (Includes item 19) (Hoppers with 2 Autofill holes)
12	28080.1000	3	Handle Assy, Faucet WHI (Includes items 13 thru 16)
	28080.1001	3	Handle Assy, Faucet BLK (Includes items 13 thru 16)
13	27137.0000	1	Knob, Black
14	26972.0000	1	Ring, Faucet Handle
15	26786.0001	1	Handle, Faucet - Right - WHI
	26786.0003	1	Handle, Faucet - Right - BLK
16	26786.0000	1	Handle, Faucet - Left - WHI
	26786.0002	1	Handle, Faucet - Left - BLK
17	26788.0000	1	Dowel, Faucet
18	26793.0000	3	Cap, Faucet - WHI
	26793.0001	3	Cap, Faucet - BLK
19	26784.0000	1	Bushing, Auger Shaft - Front
20	28107.0000	3	Spring, Faucet
21	28216.1000	3	Spool Assembly, Faucet - WHI (Includes item 24)
	28216.1001	3	Spool Assembly, Faucet - BLK (Includes item 24)
22	28083.0000	-	O-Ring Kit, Faucet Spool (Includes 6 O-rings. See item 25)
23	27643.0000	3	Connector Assy, Lamp Cord (Includes Nut, Washer, Leads & Plug)
	01532.0001	3	Lockwasher, Internal Tooth .375"
24	28391.0000	3	Plug, Faucet Spool
25	28776.0000	1	Plug, .375" NPT (Dispensers W/Autofill Hoppers)
26	24566.0000	1	Nut, .375" NPS (Dispensers W/Autofill Hoppers)
27	M2550.0000	-	Lubricant (Not Illustrated)
28	03851.0000	4	Wire Nut (Not Illustrated)

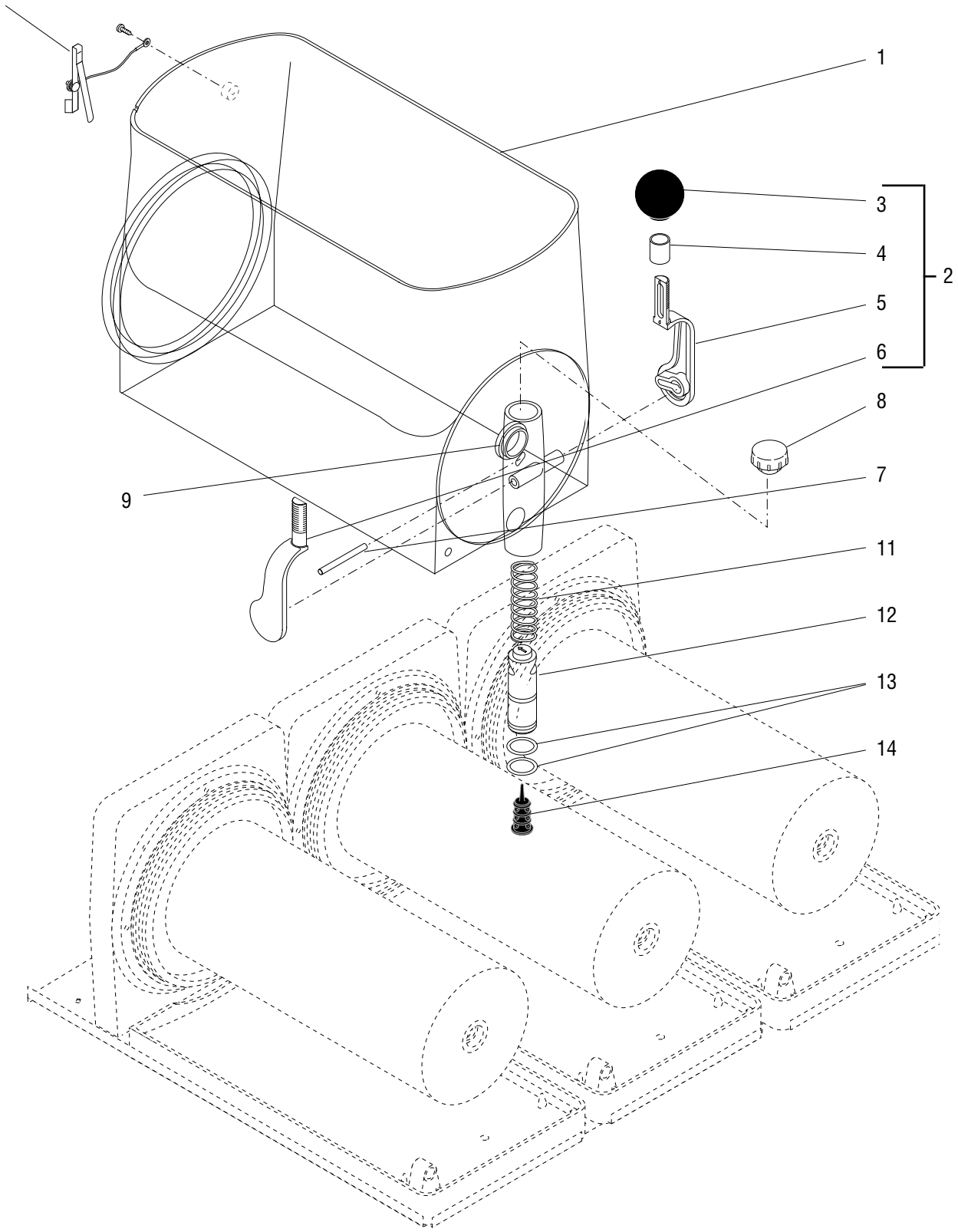


MODELS w/AFPO

TOP COVER AND HOPPER (LATE MODELS)

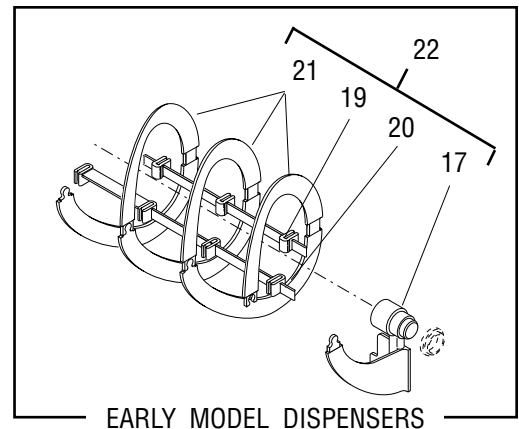
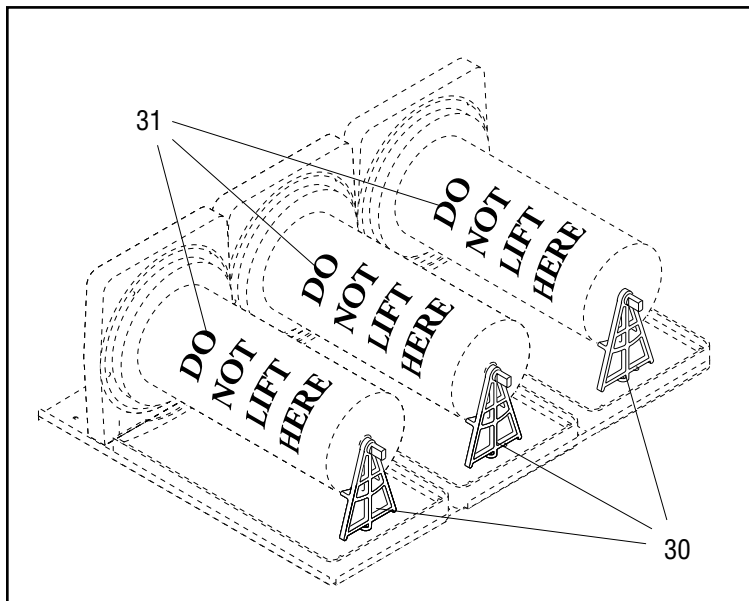
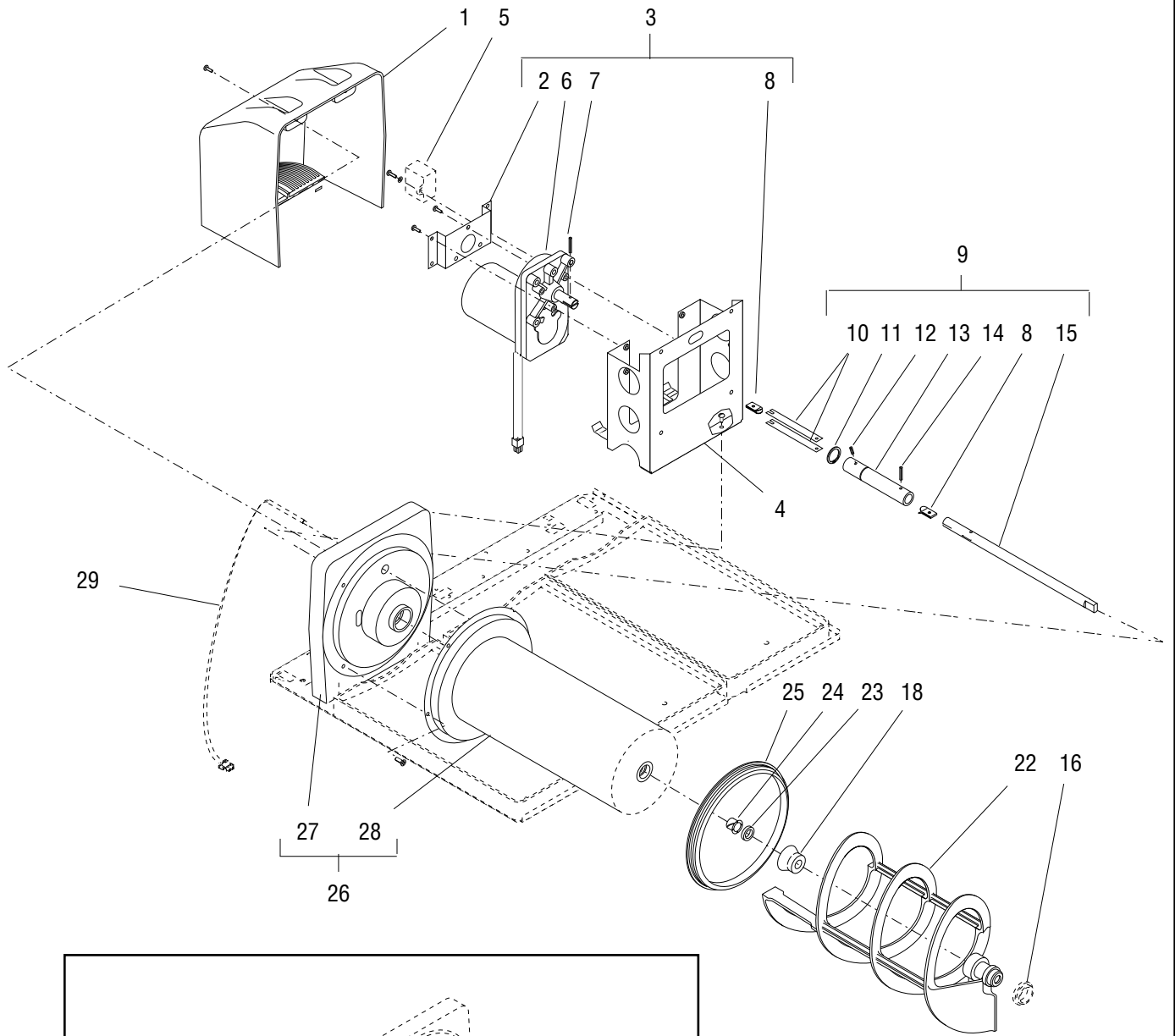
ITEM	PART NO.	QTY.	DESCRIPTION
-	32196.1000	3	Cover, Hopper - WHI (Includes items 1 thru 7)
	32196.1001	3	Cover, Hopper - BLK (Includes items 1 thru 7)
1	-----	3	Cover, Hopper - WHI (OBSOLETE PART)
	-----	3	Cover, Hopper - BLK (OBSOLETE PART)
	01315.0000	6	Screw, Truss Head #8-32 x .38"
2	32105.0000	6	Insert, Hopper Lid Vent - WHI
	32105.0001	6	Insert, Hopper Lid Vent - BLK
3	27446.0000	6	Lamp, T-5 Wedge Base
4	27445.1000	3	Lamp Holder/Socket Assy (Includes two of item 15)
	32096.0000	6	Screw, Pan Head #2-56 x .50"
5	32266.0000	6	Insert, Hopper Display
6	32195.0000	3	Liner Assy, Hopper Cover
7	32267.1000	3	Cord Assy, Lamp (Includes two of item 15)
8	32190.1000	3	Hopper Assy. (Includes item 9)
	32190.1002	3	Hopper Assy. (For Models with AFPO)(Includes item 9)
9	32189.0000	3	Bushing, Auger Nose
10	32191.0000	3	Faucet - WHI
11	32265.0001	3	Handle, Faucet - BLK
12	32193.0000	3	Spring, Faucet
13	32268.0000	3	Seal
14	27643.0000	3	Connector Assy (Includes Nut, Washer, Leads & Plug)
	01532.0001	3	Lockwasher, Internal-tooth .375"
15	03851.0000	6	Wire Nut (Not Illustrated)

10



HOPPER AND FAUCET

ITEM	PART NO.	QTY.	DESCRIPTION
1	26713.1000	3	Hopper Assy. (Includes item 9 & 10)
2	28080.1000	3	Handle Assy, Faucet - SST (Includes items 3 thru 6)
	28080.1001	3	Handle Assy, Faucet - BLK (Includes items 3 thru 6)
3	27137.0000	1	Knob, Black
4	26972.0000	1	Ring, Faucet Handle
5	26786.0001	1	Handle, Faucet - Right
6	26786.0000	1	Handle, Faucet - Left
7	26788.0000	1	Dowel, Faucet
8	26793.0000	3	Cap, Faucet - SST
	26793.0001	3	Cap, Faucet - BLK
9	26784.0000	1	Bushing, Auger Shaft - Front
10	33176.0000	3	Tether/Probe Assy (3.50" Probe)
	33179.0000	3	Tether/Probe Assy (1.88" Probe)
	01393.0000	3	Screw, Truss Head #6 x .25"
11	28107.0000	3	Spring, Faucet
12	28216.1000	3	Spool Assembly, Faucet - SST (Includes item 14)
	28216.1001	3	Spool Assembly, Faucet - BLK (Includes item 14)
13	28083.0000	-	O-Ring Kit, Faucet Spool (Includes 6 O-rings. See item 15)
14	28391.0000	3	Plug, Faucet Spool
15	M2550.0000	-	Lubricant, Petro-Gel 4 oz (Not Illustrated)

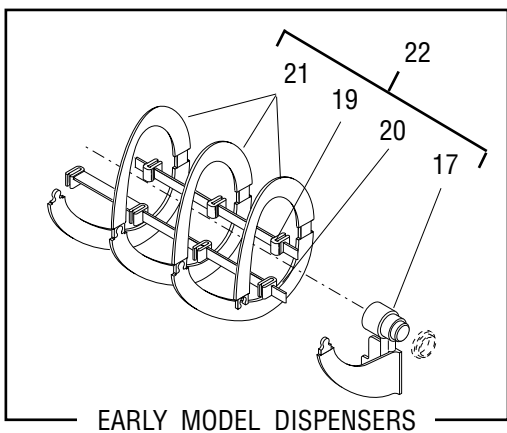
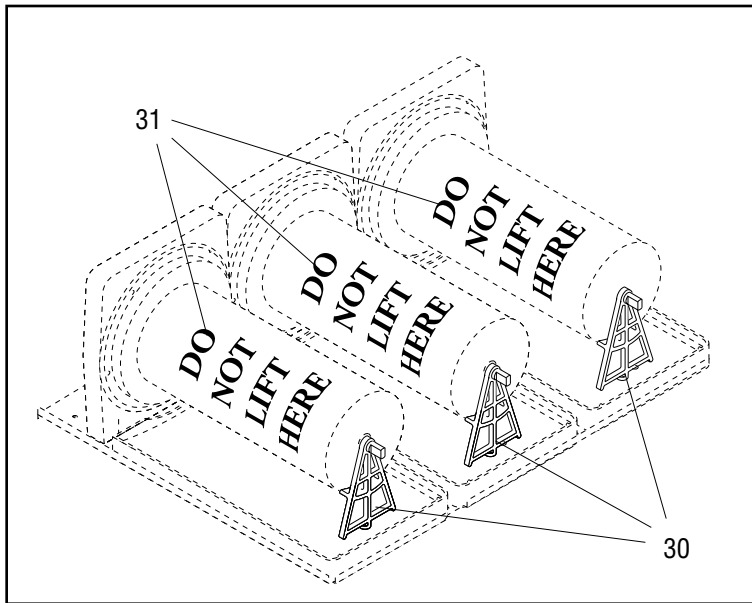
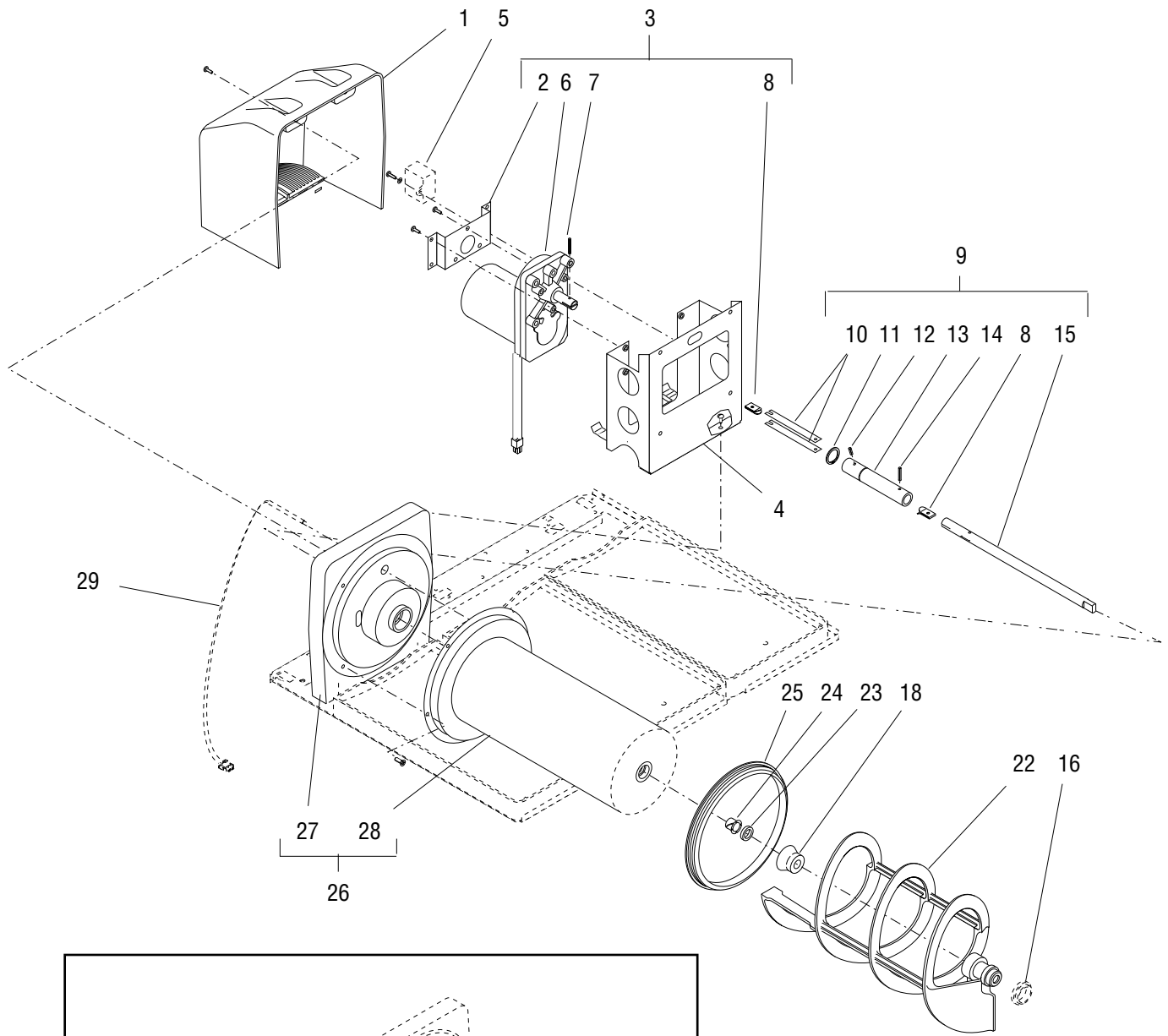


AUGER DRIVE AND EVAPORATOR/COOLING DRUM

ITEM	PART NO.	QTY.	DESCRIPTION
1	27231.0000	3	Cover, Auger Motor - WHI
	27231.0001	3	Cover, Auger Motor - BLK
	01317.0003	6	Screw, Truss Head - Locking #8-32 x .375"
2	27232.0000	1	Bracket, Auger Motor Mounting
	01317.0003	3	Screw, Truss Head - Locking #8-32 x .375"
3	28093.1000	3	Motor Assy, Auger (120V) (Includes items 2, 6, 7, & one of item 8)
	28093.1001	3	Motor Assy, Auger (230V) (Includes items 2, 6, 7, & one of item 8)
	01326.0002	9	Screw, Pan Head #10-32 x .375"
4	-----	3	Bracket, Auger Motor/Cooling Drum Mounting (OBSOLETE PART)
	01311.0001	12	Screw, Truss Head - Locking #8-32 x .250"
5	-----	3	Capacitor, Motor (See ELECTRICAL AND OPERATING CONTROLS)
	01317.0001	3	Screw, Truss Head - Locking #8-32 x .50"
	01501.0000	3	Washer, #8
6	28093.1000	1	Motor Assembly, Auger (120V) (Includes Leads and Terminal)
	28093.1001	1	Motor Assembly, Auger (230V) (Includes Leads and Terminal)
7	34836.0000	1	Pin, Split .125" O.D. x .938"
8	27440.0000	2	Bearing, Torsion Spring
9	28081.0000	3	Shaft Assy, Auger Drive (Includes one of item 8, & items 10 thru 15)
10	27223.0000	2	Spring, Torsion
11	27228.0000	1	Snap Ring
12	11556.0001	1	Pin, Split .125" O.D. x .437"
13	27224.0000	1	Retainer, Torsion Spring
14	34836.0001	1	Pin, Split .125" O.D. x .75"
15	32449.0000	1	Shaft, Auger
16	-----	3	Bushing, Auger - Front (See TOP COVER AND HOPPER)
17	-----	1	Auger Nose (OBSOLETE PART)
18	26780.0000	3	Seal, Auger Shaft (See item 32, 34, 35 & 36)
19	-----	1	Latch, Auger - Short (OBSOLETE PART)
20	-----	1	Latch, Auger - Long (OBSOLETE PART)
21	-----	3	Auger Section (OBSOLETE PART)
22	-----	3	Auger Assy. (Early Model Dispensers) (Order One Piece Auger)
	32106.1000	3	Auger, One piece (Late Model Dispensers)
23	37593.0000	3	Seal, Evaporator/Cooling Drum (See item 32)
24	26781.0000	3	Bushing, Auger Shaft (See item 32)
25	26792.0000	3	Seal, Evaporator/Cooling Drum - Hopper (See items 32 & 34)

(Continued)

(Continued)



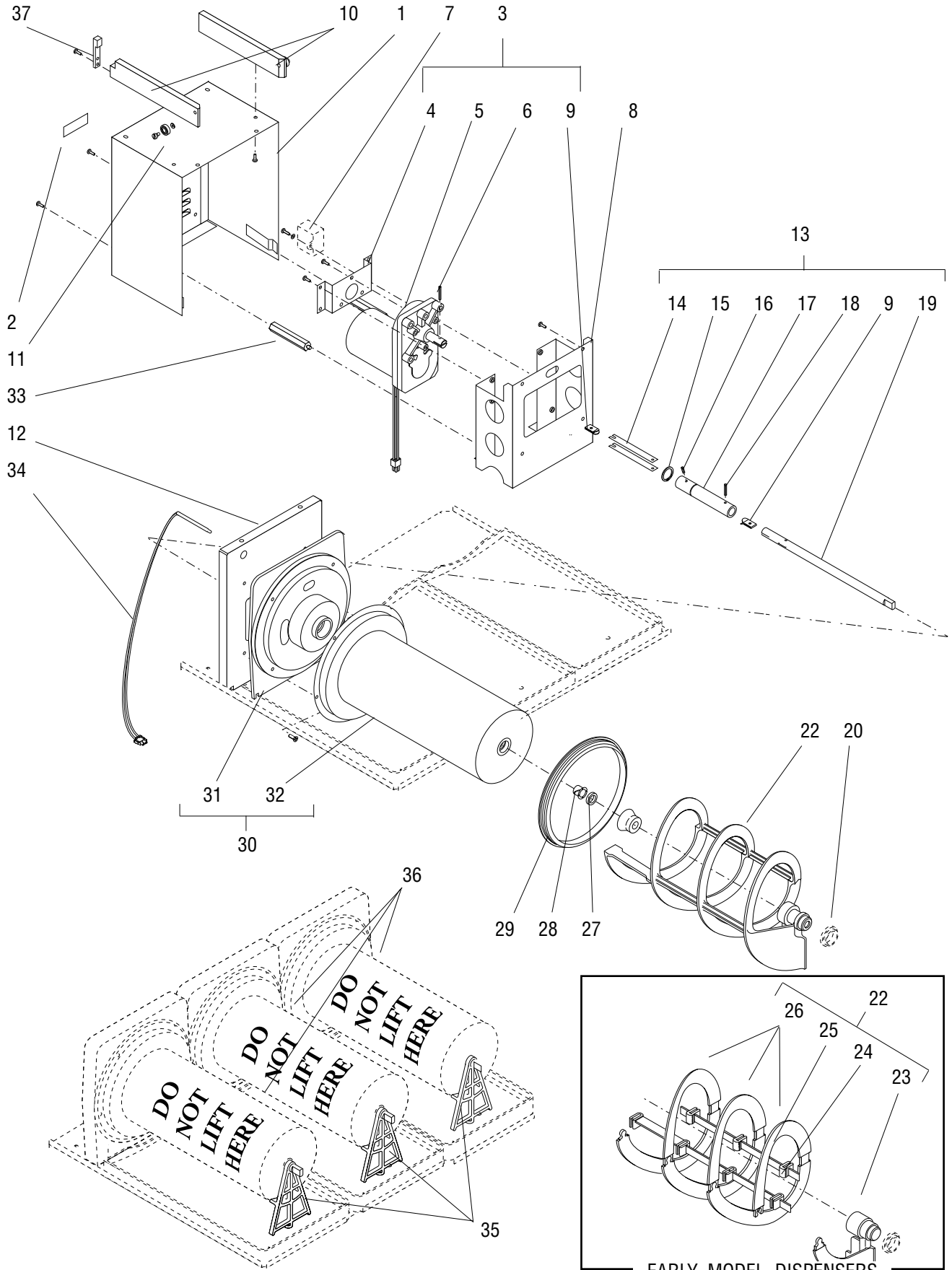
P1486.40

AUGER DRIVE AND EVAPORATOR/COOLING DRUM

ITEM	PART NO.	QTY.	DESCRIPTION
26	-----	3	Drum Assembly, Evaporator/ Cooling - WHI (OBSOLETE PART)
	-----	3	Drum Assembly, Evaperator/Cooling - BLK (OBSOLETE PART)
	01377.0000	12	Screw, Flat Head #8-32 x .75"
27	32091.0002	1	Mount Assembly, Evaporator/Cooling Drum - WHI
	32091.0003	1	Mount Assembly, Evaperator/Cooling Drum - BLK
28	-----	1	Drum, Evaporator/ Cooling (Not Available. Order item 26)
29	-----	-	Temperature Sensor Assy (See ELECTRICAL AND OPERATING CONTROLS)
30	28027.0000	3	Support, Evaporator/Cooling Drum (For Shipping and Cooling Drum Adjustment)
31	28236.0000	3	Label, DO NOT LIFT HERE (For Shipping Only)

Items 32 through 34 are not illustrated:

32	M2550.0000	-	Lubricant, Lubri-Film
33	M2548.1000	-	Lubricant, Krytox .50 Oz
34	28106.0001	-	Kit, Preventive Maintenance (Includes items 18, 23, 24, 25, six faucet O-rings)



EARLY MODEL DISPENSERS

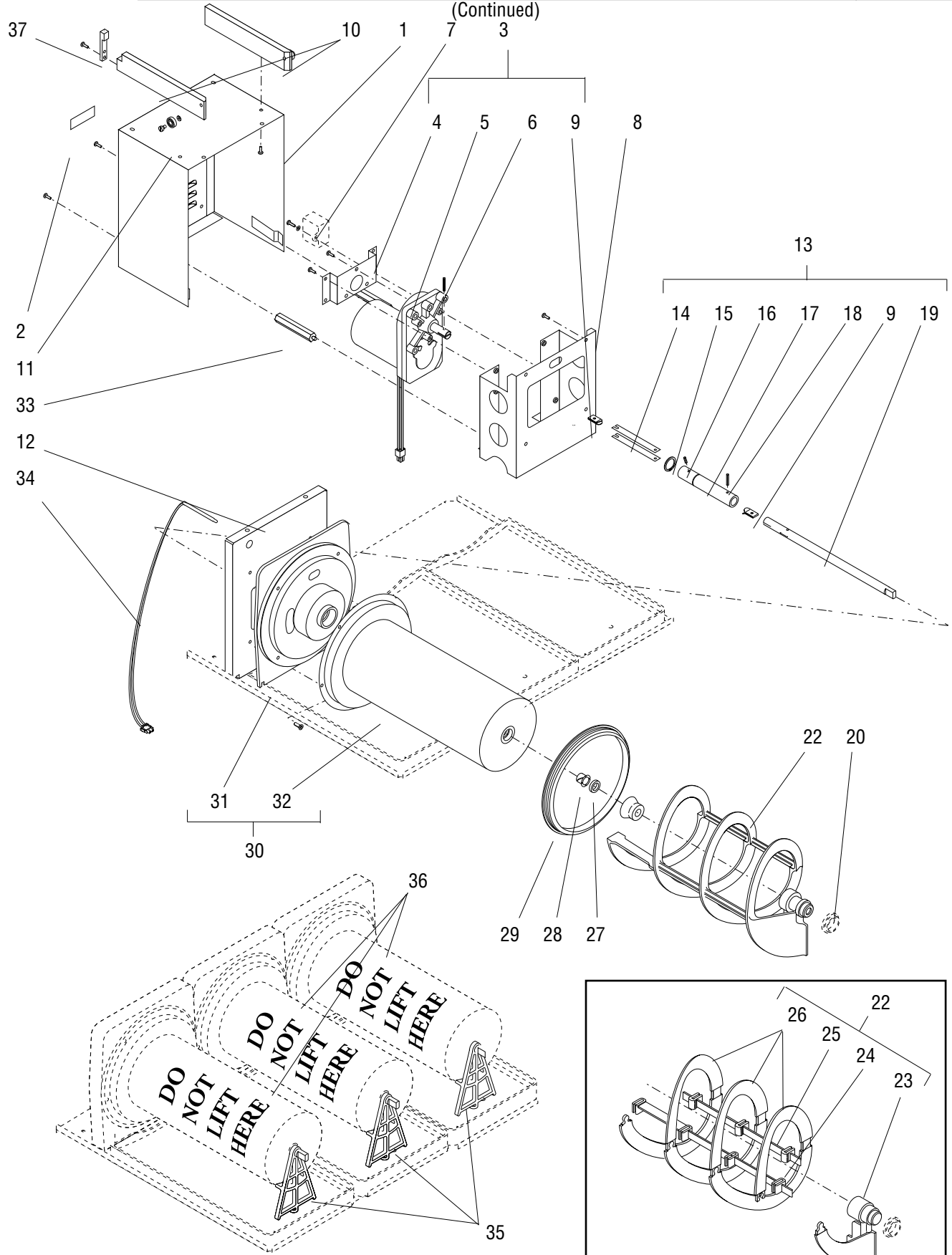
P1945.40

AUGER DRIVE AND COOLING DRUM

ITEM	PART NO.	QTY.	DESCRIPTION
1	-----	3	Cover, Auger Motor - SST (OBSOLETE PART)
	-----	3	Cover, Auger Motor - BLK (OBSOLETE PART)
	02331.0000	6	Screw, Truss Head - Locking #10-32 x .375"
2	29844.0000	3	Decal
3	28093.1000	3	Motor Assy, Auger (Includes items 4, 5, 6 & 9)
	01326.0002	9	Screw, Pan Head #10-32 x .375"
4	27232.0000	1	Bracket, Auger Motor Mounting
	01317.0003	3	Screw, Truss Head - Locking #8-32 x .375"
5	-----	1	Motor Assembly, Auger (Order item 3)
6	34836.0000	1	Pin, Split .125" O.D. x .938"
7	-----	3	Capacitor, Motor (See ELECTRICAL AND OPERATING CONTROLS)
	01317.0001	3	Screw, Truss Head - Locking #8-32 x .50"
	01501.0000	3	Washer, #8
8	-----	1	Support, Cooling Drum - SST (OBSOLETE PART)
	-----	1	Support, Cooling Drum - BLK (OBSOLETE PART)
9	27440.0000	2	Bearing, Torsion Spring
10	-----	3	Rail, Left (Early models. Not available order item 38)
	29591.0002	3	Rail, Left (Late models)
	29591.0001	3	Rail, Right
	01330.0000	6	Screw, Hex-washer - Locking #10-32 x .375"
11	29724.0000	6	Roller
	24457.0001	6	Screw, Shoulder
	01522.0000	6	Washer
12	-----	3	Support, Auger Motor/Cooling Drum Mounting (OBSOLETE PART)
	01311.0001	12	Screw, Truss Head - Locking #8-32 x .25"
13	28081.0000	3	Shaft Assy, Auger Drive (Includes items 9, 14 thru 19)
14	27223.0000	3	Spring, Torsion
15	-----	1	Snap Ring (OBSOLETE PART)
16	11556.0001	1	Pin, Split .125" O.D. x .437"
17	27224.0000	1	Retainer, Torsion Spring
18	34836.0001	1	Pin, Split .125" O.D. x .75"
19	32449.0000	1	Shaft, Auger
20	-----	3	Bushing, Auger - Front (See HOPPER AND FAUCET)
21	26780.0000	3	Seal, Auger Shaft (See item 39 & 41)
22	-----	3	Auger Assy. (Early Model Dispensers) (Order One Piece Auger)
	32106.1000	3	Auger, One piece (Late Model Dispensers)
23	-----	1	Auger Nose (OBSOLETE PART)
24	-----	1	Latch, Auger - Long (OBSOLETE PART)

(Continued)

(Continued)



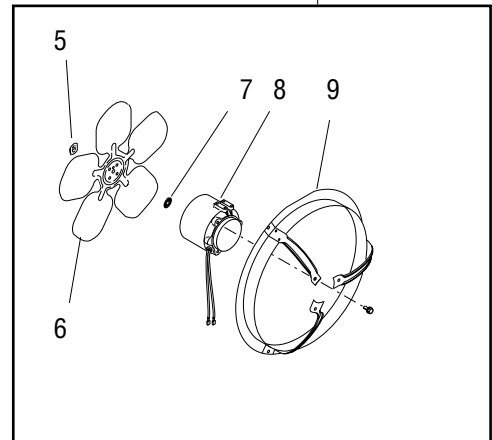
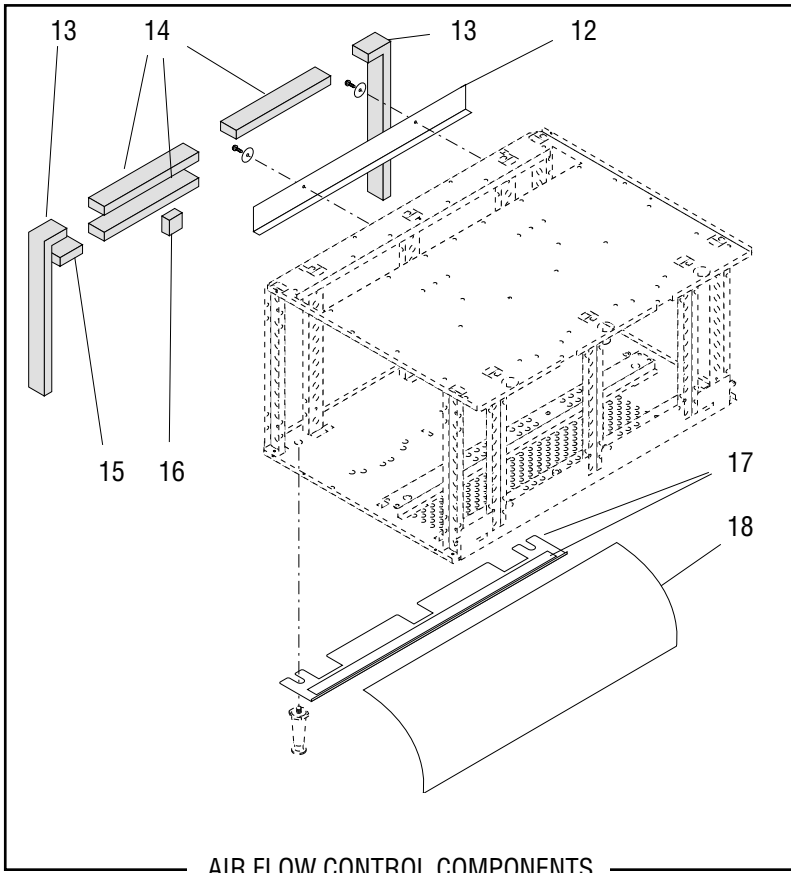
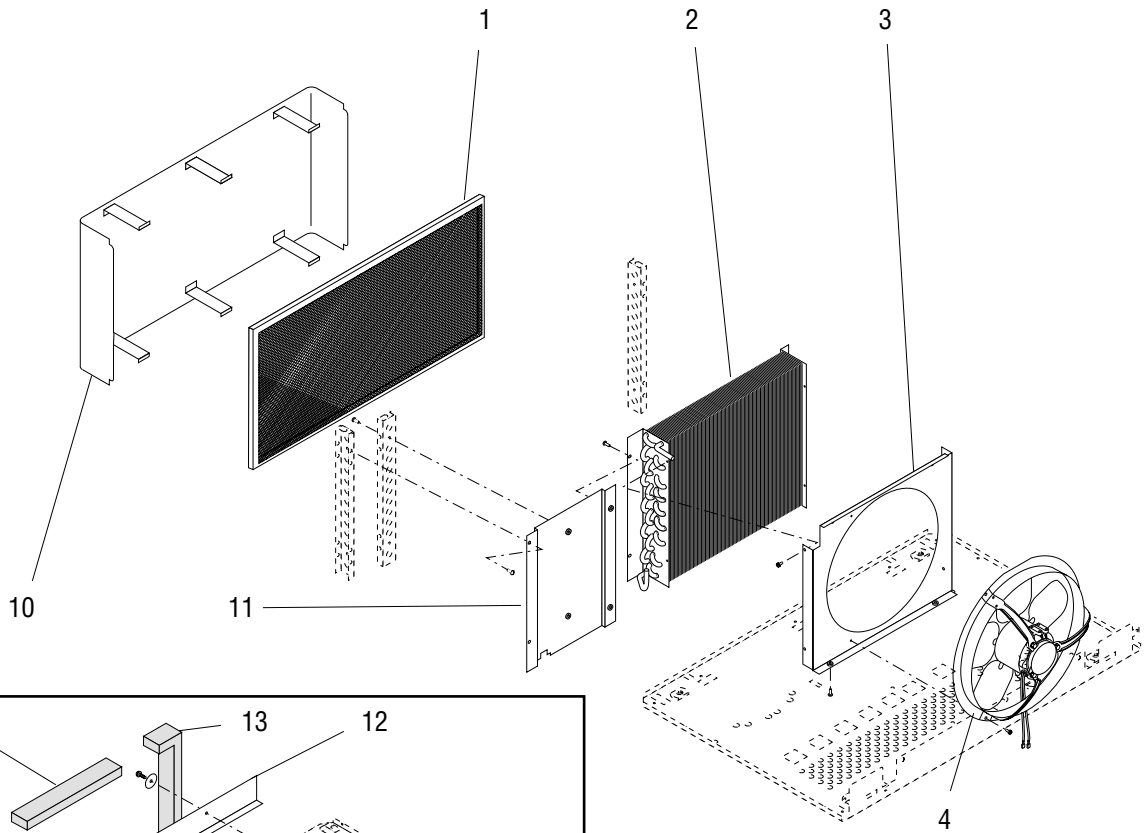
P1945.40

AUGER DRIVE AND COOLING DRUM

ITEM	PART NO.	QTY.	DESCRIPTION
25	-----	1	Latch, Auger - Short (OBSOLETE PART)
26	-----	3	Auger Section (OBSOLETE PART)
27	26782.0001	3	Seal, Cooling Drum (See item 41)
28	26781.0000	3	Bushing, Auger Shaft (See item 41)
29	26792.0000	3	Seal, Cooling Drum/Hopper (See items 39 & 41)
30	-----	3	Drum Assembly, Cooling - SST (OBSOLETE PART)
	-----	3	Drum Assembly, Cooling - BLK (OBSOLETE PART)
	01377.0000	12	Screw, Flat Head #8-32 x .75"
31	32091.0002	1	Mount Assembly, Cooling Drum - SST
	32091.0003	1	Mount Assembly, Cooling Drum - BLK
32	-----	1	Drum, Cooling (Not Available. Order item 30)
33	29725.0000	6	Standoff
34	-----	-	Temperature Sensor Assy (See ELECTRICAL AND OPERATING CONTROLS)
35	28027.0000	3	Support, Cooling Drum (For Shipping and Cooling Drum Adjustment)
36	-----	3	Label, DO NOT LIFT HERE (For Shipping Only)
37	32632.0000	3	Latch, Retaining
	01317.0000	6	Screw, Truss Head #8-32 x .50"

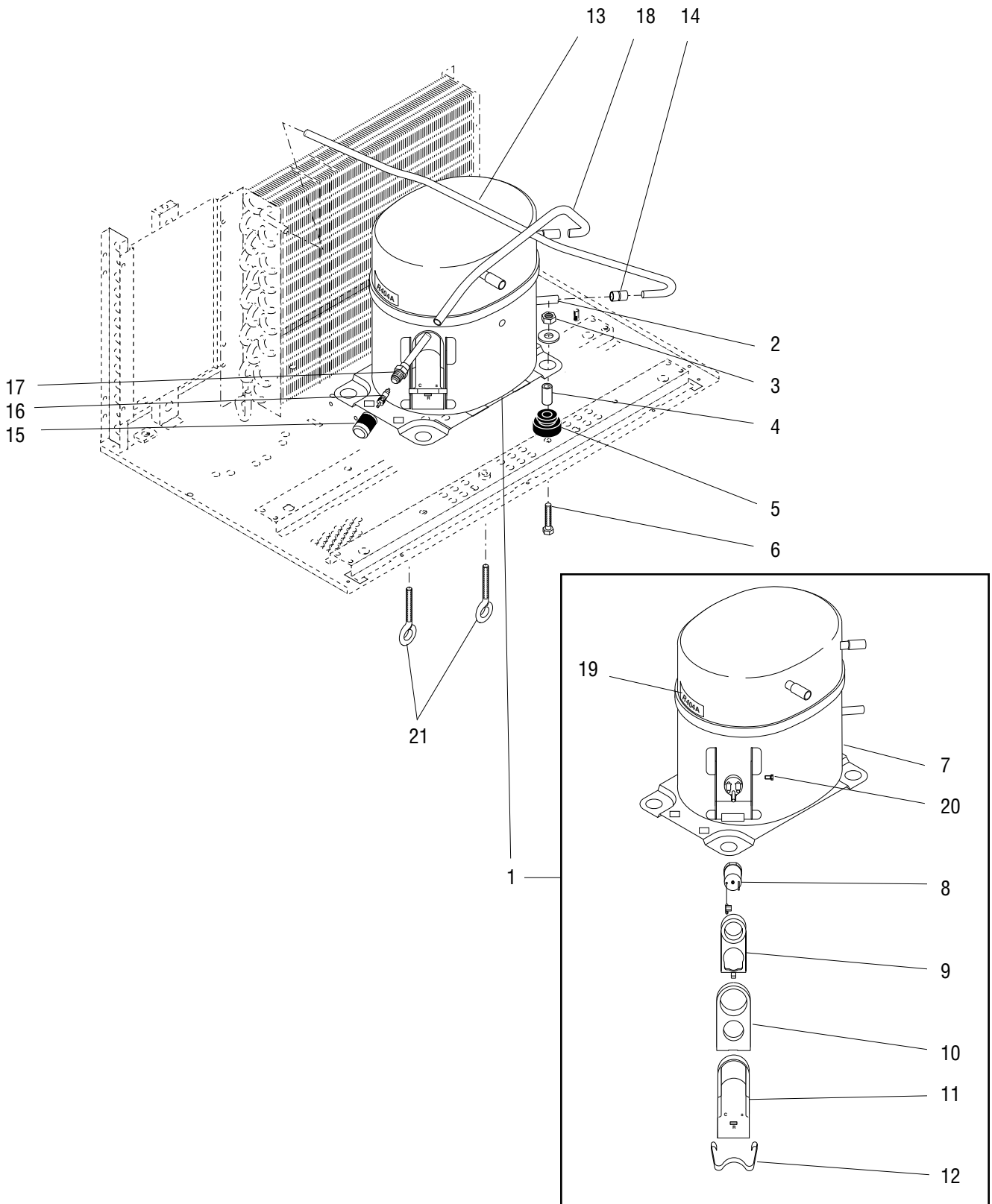
Items 38 through 43 are not illustrated:

38	32175.0000	-	Kit, Latch/Rail (Includes items 10, 11 & 37) (Kit contains parts for one rail only)
39	M2550.0000	-	Lubricant, Lubri-Film 4 oz.
40	M2548.1000	-	Lubricant, Krytox .50 oz
41	28106.0000	-	Kit, Preventive Maintenance (Includes items 21, 27, 28, 29, four faucet O-rings and two faucet spool plugs)



CONDENSER, FAN AND AIR FLOW CONTROL MOUNTING

ITEM	PART NO.	QTY.	DESCRIPTION
1	28444.0000	1	Filter, Air
2	29083.0000	1	Condenser Assy
	02308.0000	4	Screw, Pan Head Serrated #8-32 x .375"
3	-----	1	Shroud, Condenser (OBSOLETE PART)
	02332.0001	4	Screw, Hex Head Crimptite #6 x .25"
	01317.0003	2	Screw, Truss Head - Locking #8-32 x .375"
4	29084.0000	1	Fan Assy, Condenser (CDS-3)(Includes items 5 thru 9)
	29084.0001	1	Fan Assy, Condenser (230V)(CDSA-3)(Includes items 5 thru 9)
	02332.0002	3	Screw, Hex Head - Thread Cutting #6 x .375"
5	27257.0000	1	Speed Nut, .25"-20
6	29159.0000	1	Blade, Condenser Fan
7	27258.0000	1	Silencer, Fan
8	29160.0000	1	Motor, Condenser Fan (CDS-3)(Includes Leads and Terminals)
	29160.0001	1	Motor, Condenser Fan (230V)(CDSA-3)(Includes Leads and Terminals)
9	27219.0000	1	Shroud/Mount, Condenser Fan
	27243.0000	3	Screw, Hex Head Thread Forming #8-32 x .437"
10	28540.0000	1	Cover, Rear - SST (Optional)
	28540.0001	1	Cover, Rear - BLK (Optional)
11	-----	1	Bracket, Condenser Mounting/Air Baffle (OBSOLETE PART)
	02308.0000	4	Screw, Pan Head - Serrated #8-32 x .375"
12	29168.0000	1	Baffle, Top Rear
	02332.0002	2	Screw, Hex Crimptite #6 x .375"
	02360.0000	2	Washer .188" I.D. x .750" O.D.
13	-----	2	Strip, Foam 13.6" LG
14	-----	3	Strip, Foam 6.3" LG
15	-----	1	Strip, Foam 2.3" LG
16	-----	1	Strip, Foam .875" LG
			} Order Item 19
17	29283.0000	1	Bracket Assy, Deflector Mounting (Includes Tape)
18	29097.0000	1	Deflector, Vinyl
19	29195.1000	-	Strip, Foam 18" LG
	29195.1001	-	Strip, Foam 48" LG
	29195.1002	-	Strip, Foam 120" LG

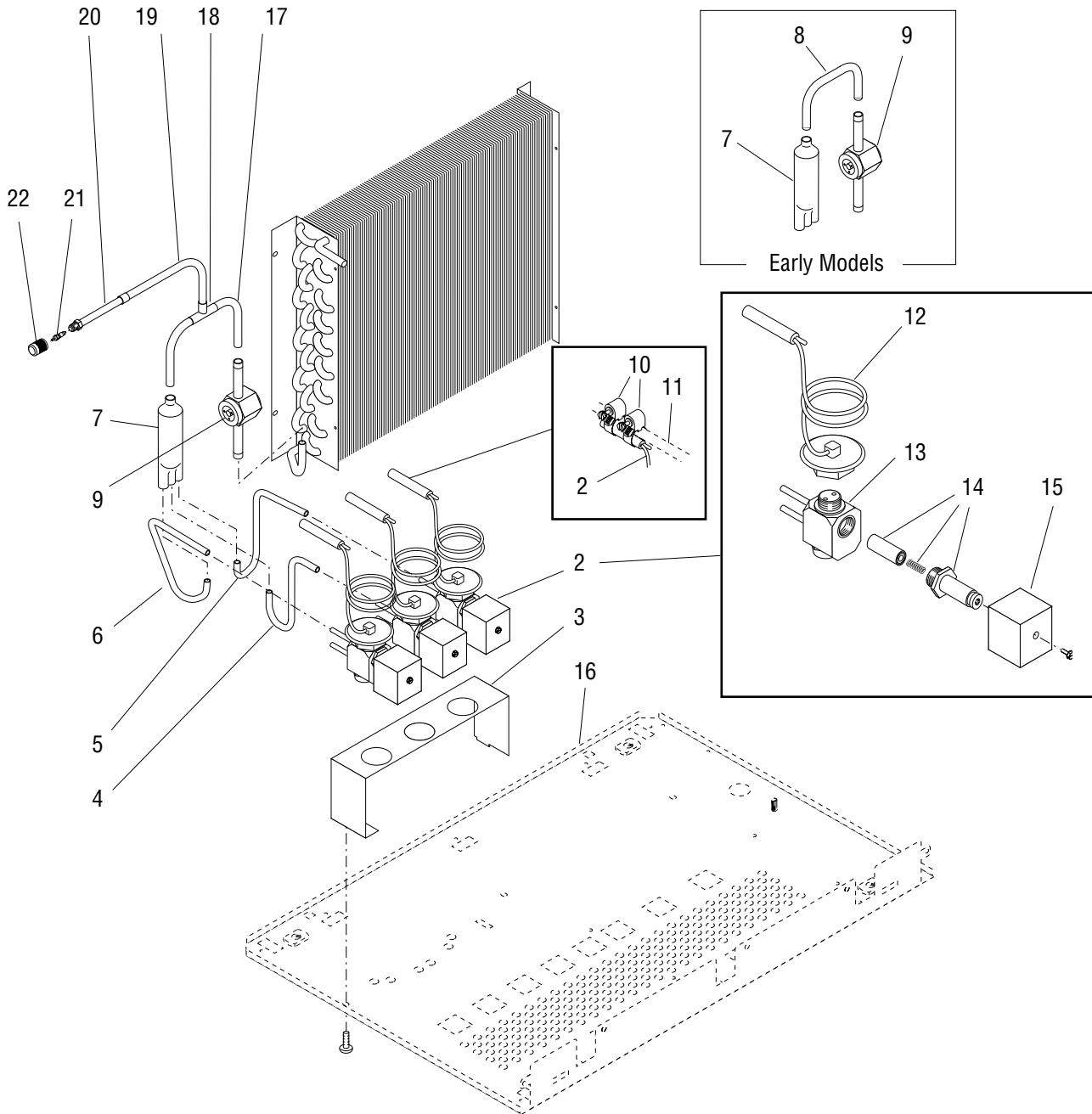


COMPRESSOR AND MOUNTING

ITEM	PART NO.	QTY.	DESCRIPTION
1	32310.1000	1	Compressor Assy (CDS-3)(Includes items 7 thru 12, 19, 20 & Accumulator Kit #32208.0000)
	28493.1001	1	Compressor Assy (CDSA-3)(Includes items 7 thru 12, 19 & 20)
2	00987.0000	4	Nut, Elastic Lock .312"-18
3	-----	4	Washer, .349" I.D. x 1.0v O.D. (OBSOLETE PART)
4	-----	4	Sleeve, Compressor Mounting
5	-----	4	Grommet, Compressor Mounting
6	-----	4	Screw, Hex Head .312"-18 x 1.50" (OBSOLETE PART)
7	-----	1	Compressor (Not Available. Order item 1)
8	28771.0000	1	Thermal Overload Protector (CDS-3)
	28771.0001	1	Thermal Overload Protector (230V)(CDSA-3)
9	28772.0000	1	Retainer, Overload Protector
10	28773.0000	1	Gasket, Cover
11	28774.0000	1	Cover, Compressor Terminal
12	28568.0000	1	Retainer, Compressor Terminal Cover
13	-----	1	Tube, Compressor to Condenser (OBSOLETE PART)
14	29292.0000	1	Coupling, Reducing .375" Dia to .312" Dia (Requires brazing to install)
15	27641.0000	1	Cap, Access Valve (Procure Locally)
16	27642.0000	1	Valve Core, .25"
17	28645.0000	1	Valve Assy, Access (Includes items 15 & 16) (Requires brazing to Install)
18	-----	1	Tube, Compressor to Access Valve (OBSOLETE PART)
19	28651.0000	1	Decal - R404A
20	28539.0000	1	Screw, Hex Head - Self Tapping #10-32 x .312"
21	-----	2	Eyebolt (Shipping Only)
	28096.0000	1	Tag, Eyebolt Shipping Notice (Not Illustrated)
22	28567.0000	1	Kit, Compressor Mounting (Includes 4 each of item 4 & 5)
23	29196.0000	1	Wiring Harness, Compressor to Main Harness and Contactor
24	-----	3	Lead, Electrical 16AWG BLK 7.0" LG (OBSOLETE PART)
25	-----	1	Lead, Electrical 16AWG BLK 5.0" LG (OBSOLETE PART)

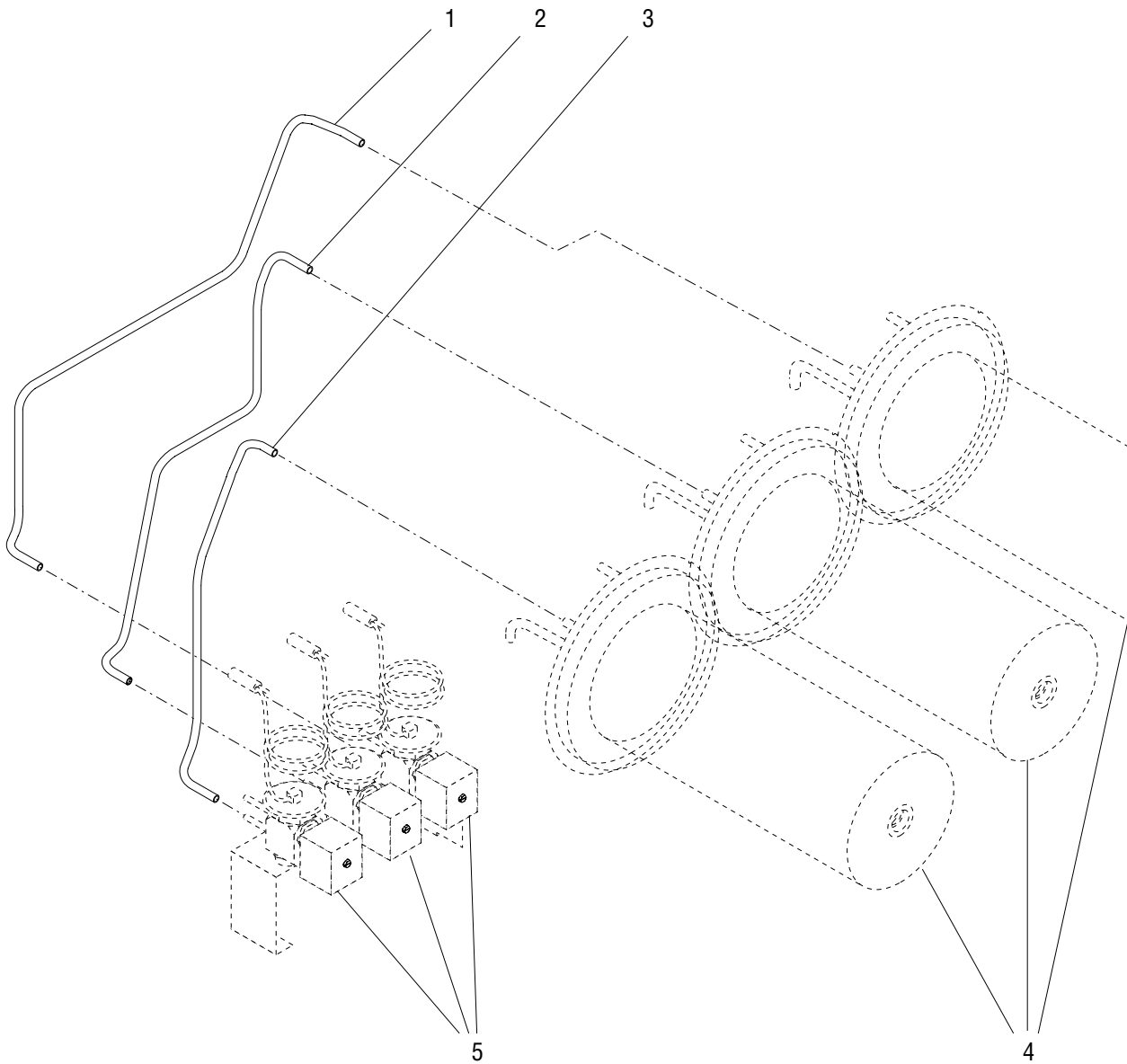
} Order item 22

} Not Illustrated



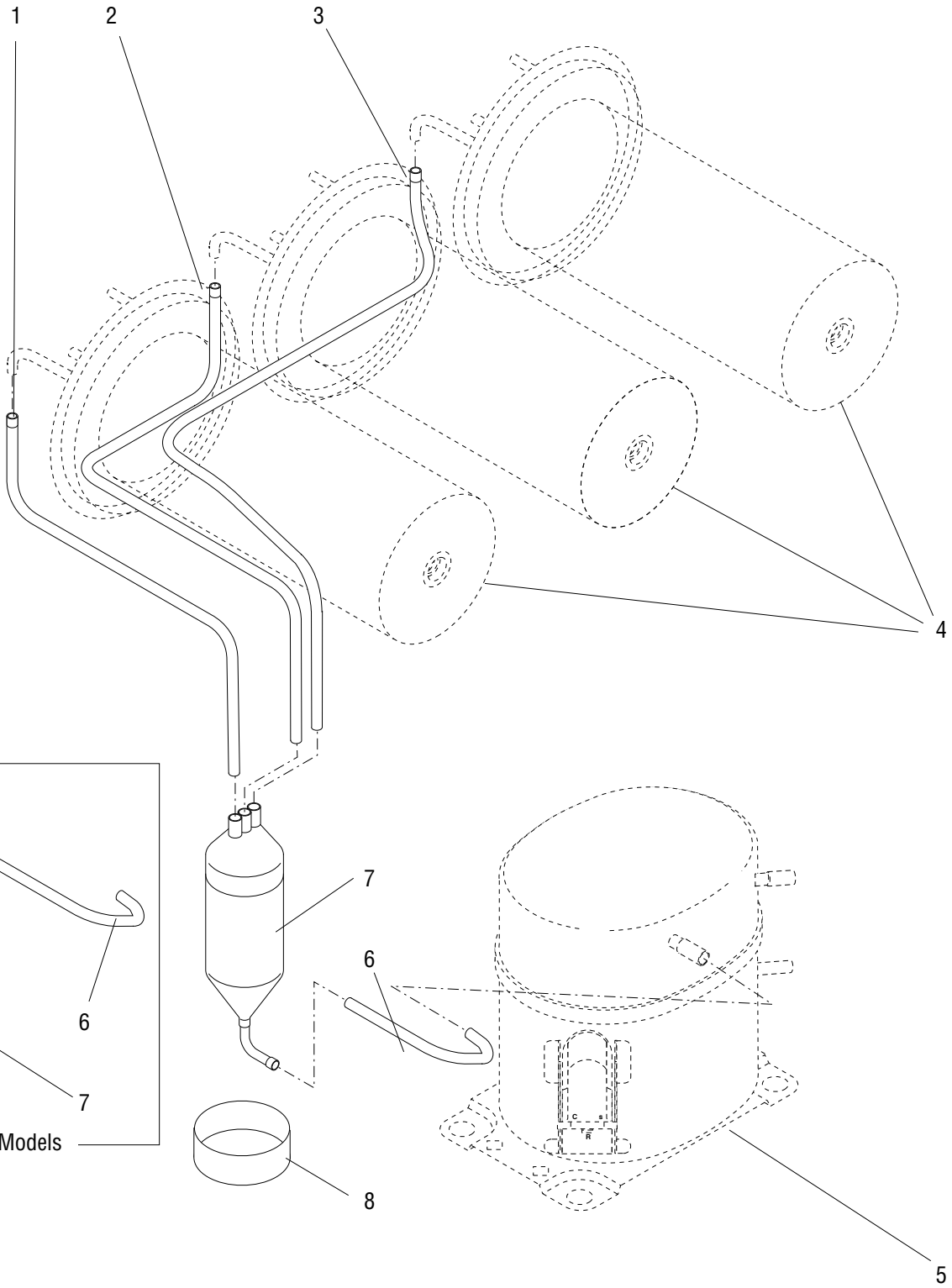
SIGHT GAUGE, FILTER/DRYER, EXPANSION VALVE/SOLENOID AND PIPING

ITEM	PART NO.	QTY.	DESCRIPTION
1	-----	1	Condenser (See Condenser, Fan and Air Flow Control Mounting)
2	28777.0000	3	Expansion Valve/Solenoid Assy (CDS-3)] (Each includes items 12 thru 15) Expansion Valve/Solenoid Assy (CDSA-3)] (Requires brazing to install)
	28777.0001	3	
3	-----	1	Bracket, Expansion Valve/ Solenoid Mounting (OBSOLETE PART) Screw, Truss Head - Locking #8-32 x .375"
	01317.0003	1	
4	-----	1	Tube, .312" O.D. Filter/Dryer to Center Expansion Valve (OBSOLETE PART)
5	-----	1	Tube, .312" O.D. Filter/Dryer to Right Expansion Valve (OBSOLETE PART)
6	-----	1	Tube, .312" O.D. Filter/Dryer to Left Expansion Valve (OBSOLETE PART)
7	28517.0000	1	Filter/Dryer Assy (Requires brazing to install)
8	-----	1	Tube, .312" O.D. Filter/Dryer to Sight Glass (OBSOLETE PART)
9	29291.0000	1	Sight Glass (Requires brazing to install)
10	29421.0000	6	Clamp, Hose .625" Dia to .750" Dia
11	-----	3	Tube, Evaporator/Cooling Drum to Accumulator (See Accumulator and Evaporator Piping)
12	29478.0000	1	Thermostatic Element
13	-----	1	Body (Not Available. Order item 2)
14	29480.0000	1	Tube & Plunger Assy (Includes Tube, Plunger and Spring)
15	29479.0000	1	Coil, Solenoid Screw, Hex Washer - Serrated #10-32 x .375"
	01330.0000	1	
16	-----	-	Base, Chassis (See Frame Drip Trays and Panels)
17	-----	2	Tube, .312" O.D. (OBSOLETE PART)
18	28573.0000	1	Tee (Requires brazing to install)
19	-----	1	Tube, .312" Valve to Filter/Dryer (OBSOLETE PART)
20	28645.0000	1	Valve Assy (Includes items 21 and 22)(Requires brazing to install)
21	27642.0000	1	Valve Core, .25"
22	27641.0000	1	Cap, Access Valve (Procure Locally)
23	M2546.0000	-	Tape, Cork-Pipe Insulation - 30 ft. roll (Use as required)(Not Illustrated)



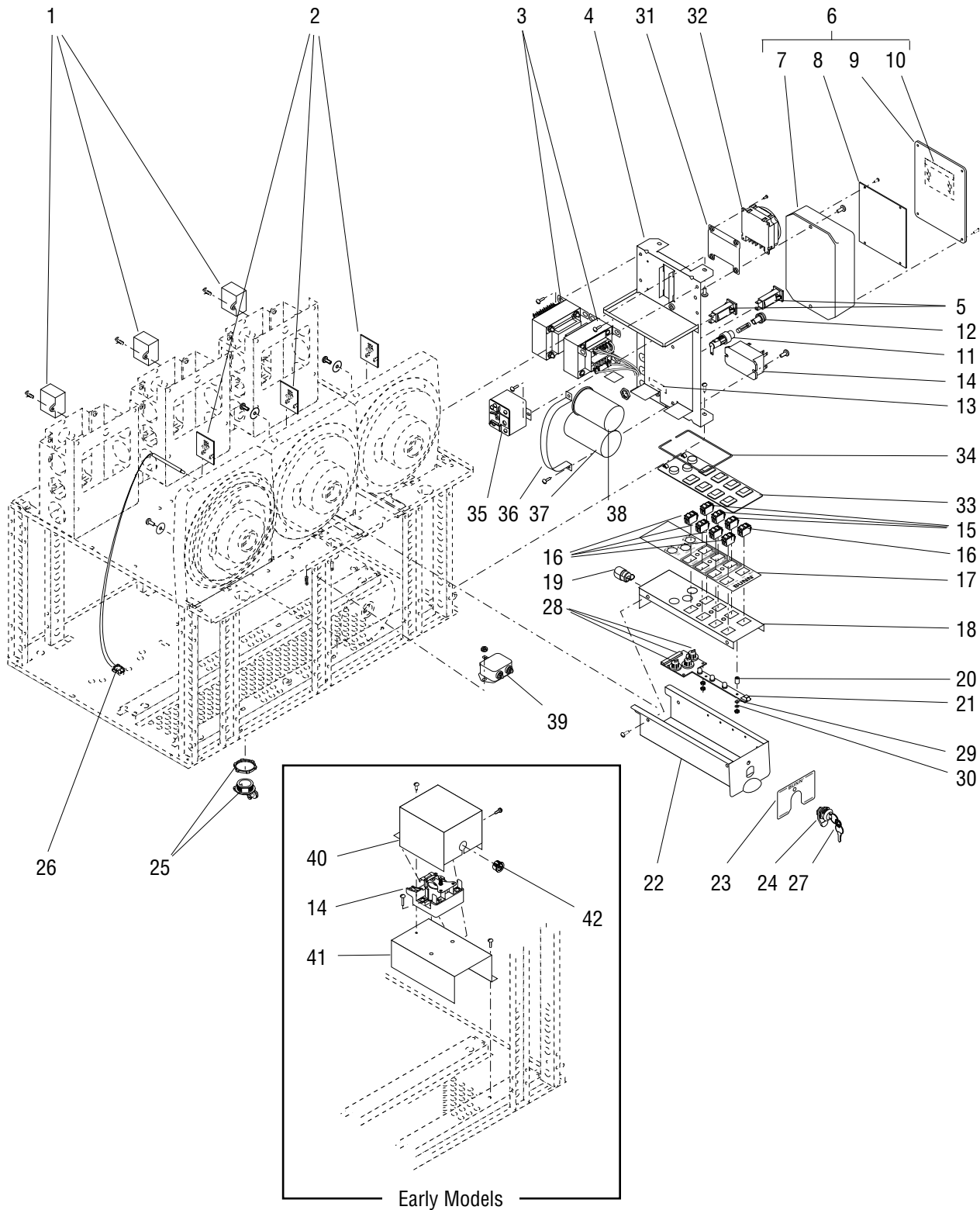
EXPANSION VALVE/SOLENOID AND EVAPORATOR/COOLING DRUM PIPING

ITEM	PART NO.	QTY.	DESCRIPTION
1	-----	1	Tube, Right Expansion Valve to Right Cooling Drum (OBSOLETE PART)
2	-----	1	Tube, Center Expansion Valve to Center Cooling Drum (OBSOLETE PART)
3	-----	1	Tube, Left Expansion Valve to Left Cooling Drum (OBSOLETE PART)
4	-----	-	Evaporator/Cooling Drum (See AUGER DRIVE AND EVAPORATOR/COOLING DRUM)
5	-----	-	Expansion Valve/ Solenoid (See SIGHT GAUGE, FILTER/DRYER, EXPANSION VALVE/SOLENOI/AND PIPING)
6	M2546.0000	-	Tape, Cork-Pipe Insulation - 30 ft. roll (Use as required)(Not Illustrated)



ACCUMULATOR, EVAPORATOR/COOLING DRUM AND PIPING

ITEM	PART NO.	QTY.	DESCRIPTION
1	-----	1	Tube, Accum to Left Evap/Cooling Drum (OBSOLETE PART)
2	-----	1	Tube, Accum to Center Evap/Cooling Drum (OBSOLETE PART)
3	-----	1	Tube, Accum to Right Evap/ Cooling Drum (OBSOLETE PART)
4	-----	-	Evaporator/Cooling Drum (See AUGER DRIVE AND EVAPORATOR/COOLING DRUM)
5	-----	-	Compressor (See COMPRESSOR MOUNTING AND PIPING)
6	-----	1	Tube, Compressor to Accum (Requires brazing to install)(Early Models - not available)
	33765.0001	1	Tube, Compressor to Accum (Requires brazing to install)(Late Models)
7	-----	1	Accumulator (Requires brazing to install)(Early Models - not available)
	33749.0000	1	Accumulator (14 oz)(Requires brazing to install)(Early Models)
	-----	1	Accumulator (17 oz)(Late Models)
8	27411.0000	1	Cup, Condensate
9	M2546.0000	-	Tape, Cork-Pipe Insulation - 30 ft. roll (Use as required)(Not Illustrated)



ELECTRICAL AND OPERATING CONTROLS

ITEM	PART NO.	QTY.	DESCRIPTION
1	27178.0000	3	Capacitor, Auger Motor 370 VAC (CDS-3)
	27178.0001	3	Capacitor, Auger Motor 500VAC (CDSA-3)
2	27939.1000	3	Circuit Board, Torque Sensor
	01317.0003	3	Screw, Truss Head - Locking #8-32 x .375"
	02360.0000	3	Washer, .188" I.D. x .75" O.D.
3	27644.1000	2	Transformer, 12V 80VA (CDS-3)(Includes Leads, Terminal, Plug and Fuse)
	-----	2	Transformer, 115/230V (CDSA-3) (OBSOLETE PART)
	01315.0000	4	Screw, Truss Head #8-32 x .375"
	00970.0000	4	Nut, Keps #8-32
4	-----	1	Bracket, Electronic Control Mounting (OBSOLETE PART)
	01317.0003	4	Screw, Truss Head - Locking #8-32 x .375"
5	27181.0000	2	Circuit Breaker, 5 amp
6	27412.1001	1	Electronic Control (CDS-3)(Includes items 7 thru 10)
	-----	1	Electronic Control (CDSA-3) (OBSOLETE PART)
	-----	1	Electronic Control (CDSB-3) (OBSOLETE PART)
	01317.0003	2	Screw, Truss Head - Locking #8-32 x .375"
7	-----	1	Housing, Circuit Board
8	-----	1	Circuit Board
	-----	4	Screw
9	-----	1	Cover, Circuit Board Housing (Includes item 10)
	-----	4	Screw
10	12559.0003	1	Decal - Warning High Voltage
11	03231.0000	1	Holder Assy, Fuse (Includes Cap and Mounting Nut)
12	27441.0000	1	Fuse, 5 amp
13	27443.0000	1	Decal, Fuse
14	-----	1	Relay, 120V (CDS-3 & CDSB-3)
	-----	1	Relay, 230V (CDSA-3)
	01338.0000	2	Screw, Truss Head #8-32 x .625"
	25948.0000	1	Relay, 120V (CDS-3 & CDSB-3)
	25948.0001	1	Relay, 230V (CDSA-3)
	01317.0003	2	Screw, Truss Head #8-32 x .375"
15	27437.0000	3	Switch, ICE/OFF/NO ICE
16	20317.0000	5	Switch, ON/OFF - Day/Night - Left, Center & Right Auger
17	28090.0001	1	Decal, Control Panel
18	28088.0001	1	Panel, Control (Includes item 17)
	01317.0003	4	Screw, Truss Head Locking #8-32 x .375"
19	01666.0001	1	Bushing, Strain Relief - 90° .75" Dia
20	01533.0005	5	Spacer, Nylon .375"
21	28089.1001	1	L.E.D./ Temperature Adjustment Board (Includes and item 28)
	27433.0000	6	Nut, Hex Keps #4-40
22	-----	1	Drawer W/Decal - SST (OBSOLETE PART)
	-----	1	Drawer W/Decal - BLK (OBSOLETE PART)
23	-----	1	Decal, Drawer - Front SST (OBSOLETE PART)
	-----	1	Decal, Drawer - Front BLK (OBSOLETE PART)

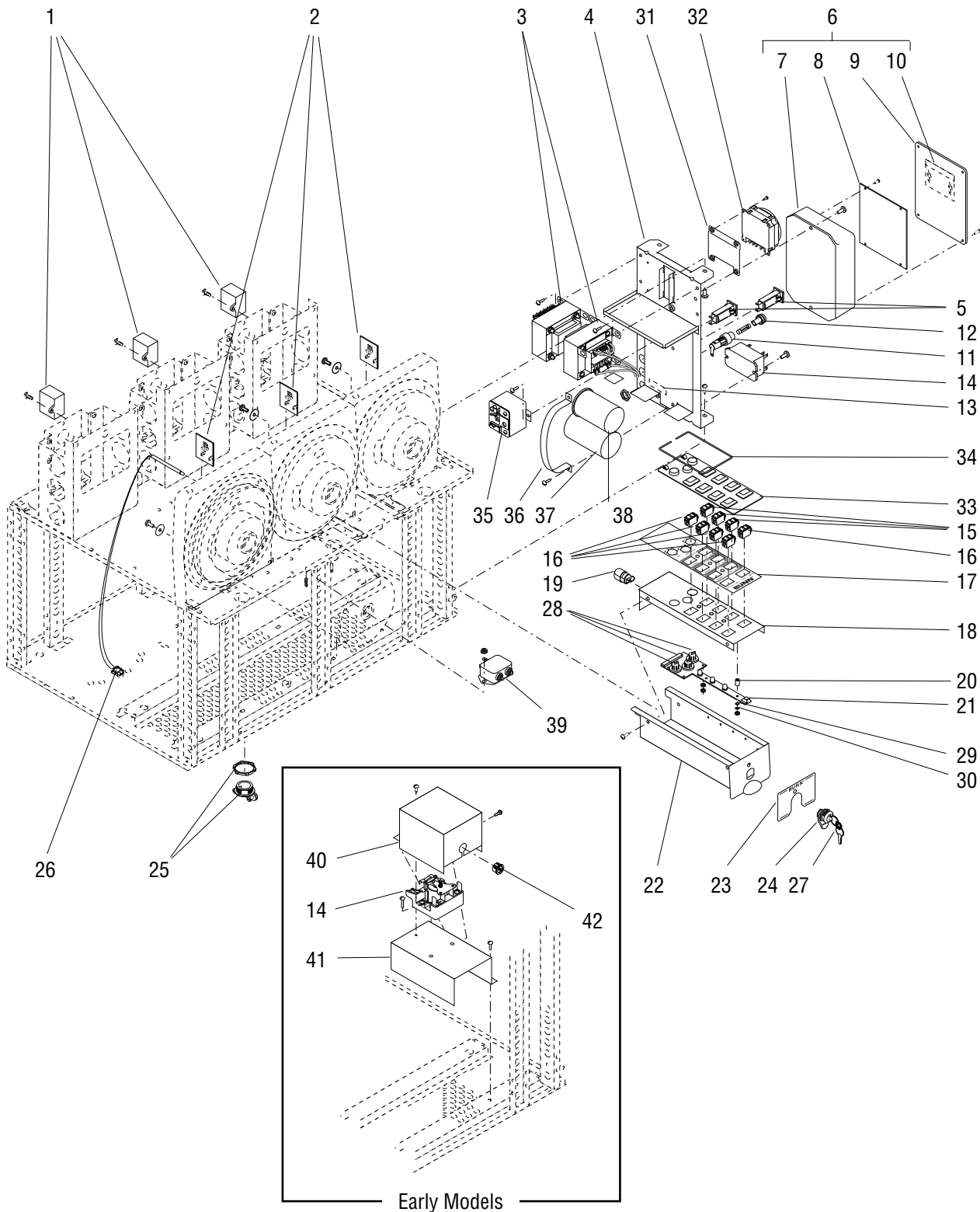
Not Available.
Order item 6

Early models. Not available
order item 48

Late models

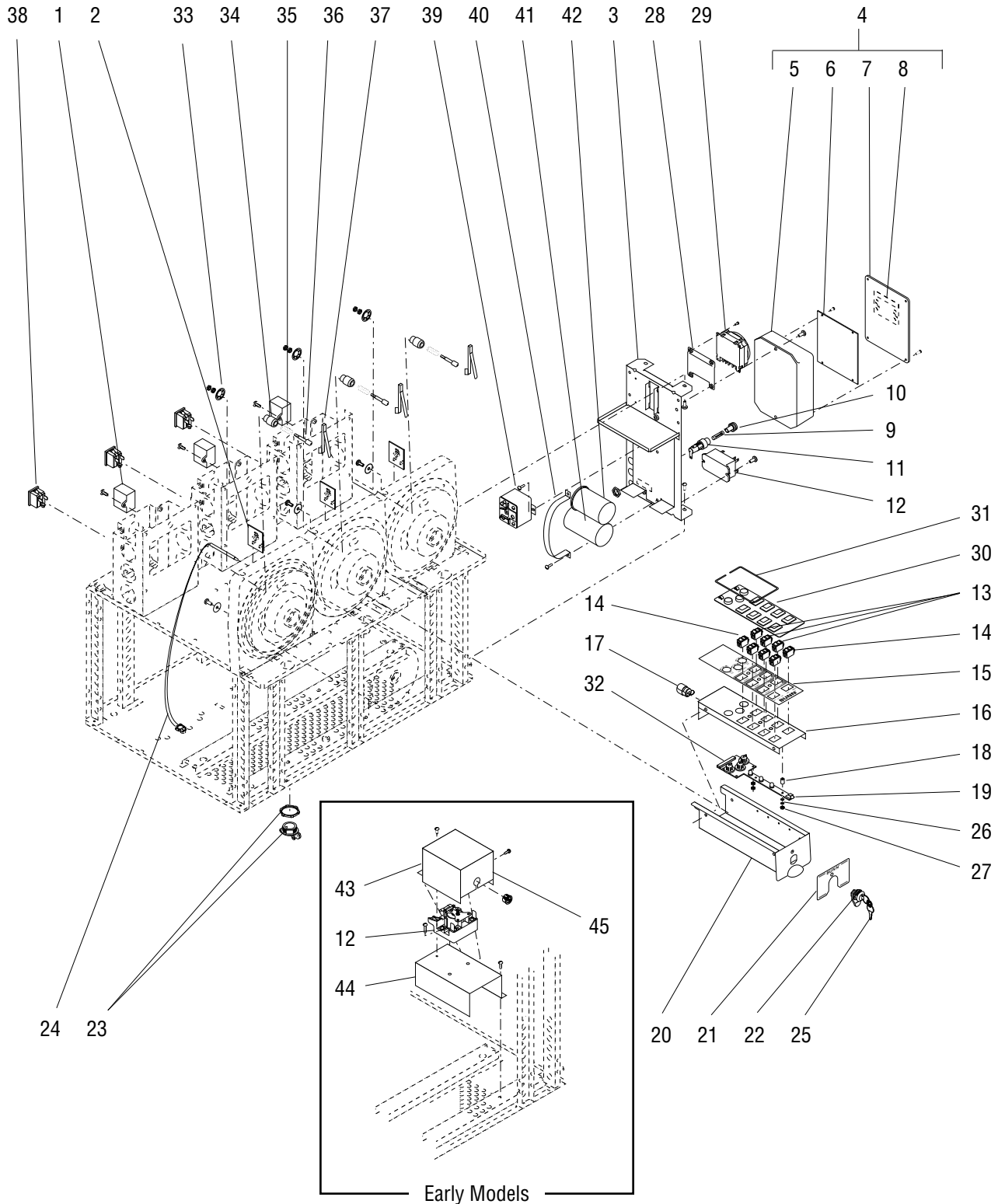
(Continued)

(Continued)



ELECTRICAL AND OPERATING CONTROLS

ITEM	PART NO.	QTY.	DESCRIPTION	
24	11628.0001	1	Lock Assy, Drawer (Includes item 27)	
25	01685.0000	1	Connector, Cord .50MPT (Includes Nut)	
26	27246.0000	3	Temperature Sensor Assy (Includes Connector)	
27	28095.0000	2	Key, Drawer Lock Assy. (Set of Two)	
28	27396.0000	3	Knob, Temperature Control	
29	27088.0000	1	Washer, Nylon #6	
30	01521.0000	1	Washer, SST #6	
31	29282.0000	1	Bracket, Timer Mounting	} Optional
	21717.0000	2	Screw, Pan Head #6-32 x .375"	
	02336.0000	2	Screw, Truss Head #4-40 x .375"	
32	28503.0000	1	Timer, 120V (CDS-3)	
	28503.0001	1	Timer, 230V (CDSA-3)	
	21717.0000	2	Screw, Pan Head #6-32 x .375"	
	02336.0000	2	Screw, Truss Head #4-40 x .375"	
33	28185.1001	1	Kit, Switch Cover (Includes item 34)	
34	29207.0000	1	Bail, Switch Cover	
35	28569.0000	1	Relay, Compressor Start (CDS-3)	
	28569.0001	1	Relay, Compressor Start (230V)(CDSA-3)	
	01382.0003	1	Screw, Truss Head #6-32 x .375"	
36	-----	1	Strap, Capacitor Retaining (OBSOLETE PART)	
	01382.0003	2	Screw, Truss Head #6-32 x .375"	
37	28570.0000	1	Capacitor, Compressor Start (CDS-3)	
	28570.0001	1	Capacitor, Compressor Start (230V) (CDSA-3)	
38	28571.0000	1	Capacitor, Compressor Run (CDS-3)	
	28571.0001	1	Capacitor, Compressor Run (230V) (CDSA-3)	
39	29446.0001	1	EMI Filter (CDSA-3 only)	
40	-----	1	Cover, Relay (OBSOLETE PART)	} Early models only
	02332.0001	2	Screw, Hex Crimptite #6 x .25"	
41	29454.0000	1	Bracket, Relay Mounting	} Early models only
	01317.0003	2	Screw, Truss Head - Locking #8-32 x .375"	
42	00614.0000	1	Bushing	
43	01638.0002	1	Cord, Power 120V (CDS-3)	} Not Illustrated
	27728.0006	1	Cord, Power 230V (CDSA-3)	
44	29197.0000	1	Wiring Harness, Main	
45	21014.0123	1	Lead Electrical, Ground - 14AWG GRN 11" LG	
	00971.0000	2	Nut, Keps #10-32	
46	00617.0000	10	Tie, BLK Nylon 3.90" LG (As Required)	
47	12919.0000	3	Cap, Terminal	
48	21005.0762	1	Lead, Electrical - Jumper 18AWG WHT/RED 4" LG (Used on dispensers with timer only)	
49	33106.0000	-	Kit, Relay 120V (CDS-3)	
	33106.0001	-	Kit, Relay 230V (CDSA-3)	
			Replaces Early Model Relay	

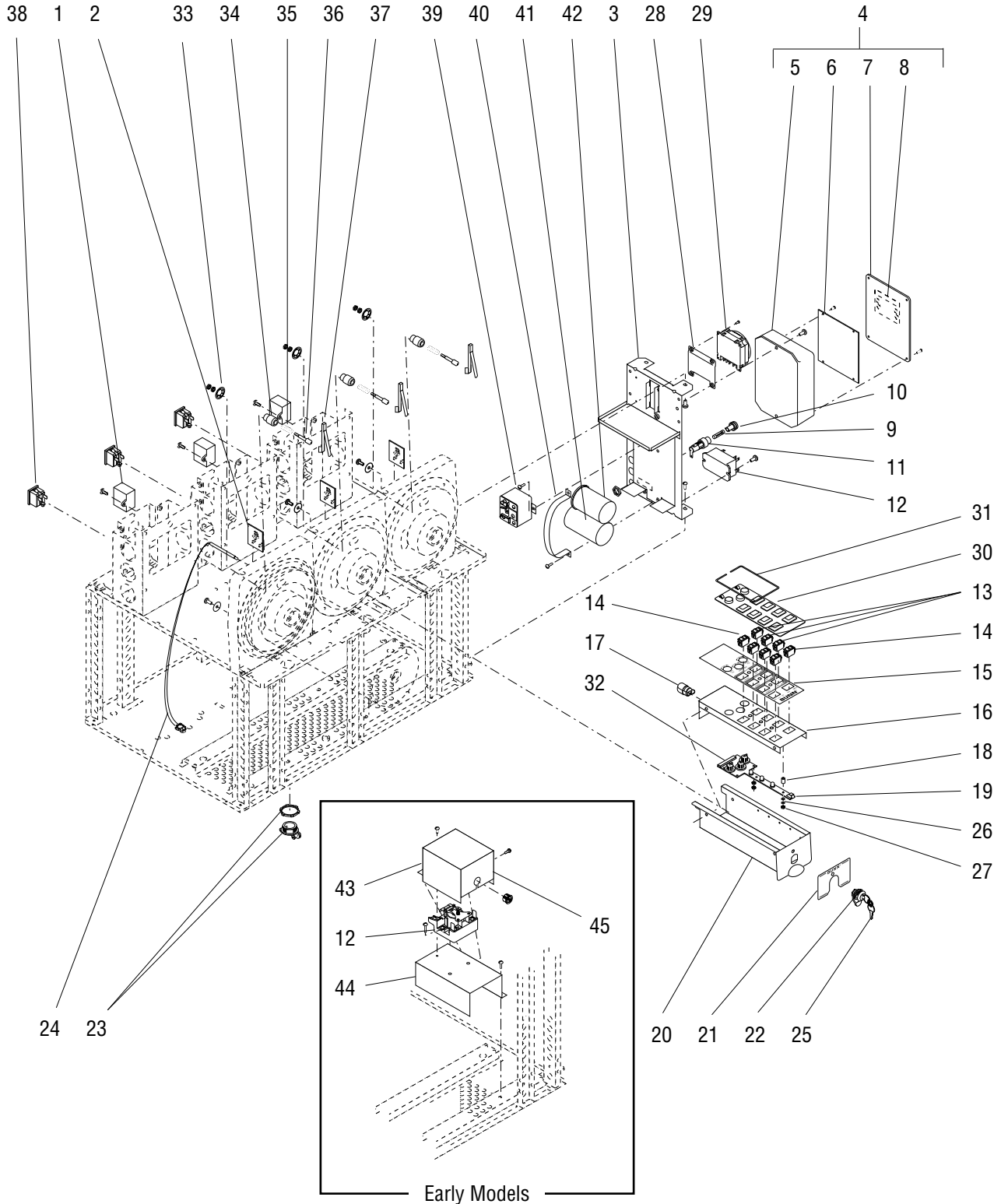


ELECTRICAL AND OPERATING CONTROLS

ITEM	PART NO.	QTY.	DESCRIPTION	
1	27178.0000	3	Capacitor, Auger Motor 370 VAC (CDS-3)	
	27178.0001	3	Capacitor, Auger Motor 500 VAC (CDSA-3)	
2	27939.1000	3	Circuit Board, Torque Sensor	
	01317.0003	3	Screw, Truss Head - Locking #8-32 x .375"	
	02360.0000	3	Washer, .188" I.D. x .75" O.D.	
3	-----	1	Bracket, Electronic Control Mounting (OBSOLETE PART)	
	01317.0003	4	Screw, Truss Head - Locking #8-32 x .375"	
4	27412.1001	1	Electronic Control (CDS-3) (Includes items 5 thru 8)	
	-----	1	Electronic Control (CDSB-3) (OBSOLETE PART)	
	01317.0000	4	Screw, Truss Head #8-32 x .375"	
5	-----	1	Housing, Circuit Board	} Not Available. Order item 4
6	-----	1	Circuit Board	
	-----	4	Screw	
7	-----	1	Cover, Circuit Board Housing (Includes item 8)	
	-----	4	Screw	
8	12559.0003	1	Decal - Warning High Voltage	
9	03231.0000	1	Holder Assy, Fuse (Includes Cap and Mounting Nut)	
10	27441.0000	1	Fuse, 5 amp	
11	27443.0000	1	Decal, Fuse	
12	-----	1	Relay, (Early models. Not available order item 55)	
	01338.0000	2	Screw, Truss Head - Locking #8-32 x .625"	
	25948.0000	1	Relay, 120V (CDS-3) (Late models)	
	25948.0001	1	Relay, 230V (CDSA-3) (Late models)	
	02335.0001	2	Screw, CrimpTite #8-32 x .625"	
13	27437.0000	3	Switch, ON/OFF Ice	
14	20317.0000	5	Switch, ON/OFF - Day/Night - Left & Right Auger	
15	28090.0001	1	Decal, Control Panel	
16	28088.0001	1	Panel, Control (Includes item 15)	
	01317.0003	4	Screw, Truss Head Locking #8-32 x .375"	
17	01666.0001	1	Bushing, Strain Relief - 90° .75" Dia	
18	01533.0005	5	Spacer, Nylon .375"	
19	28089.1001	1	Kit, L.E.D./ Adjustment Board (Includes item 32)	
	27433.0000	6	Nut, Hex Keps #4-40	
20	-----	1	Drawer W/Decal SST (OBSOLETE PART)	
21	27438.0000	1	Decal, Drawer - Front SST	
22	11628.0001	1	Lock Assy, Drawer (Includes item 25)	
23	01685.0000	1	Connector, Cord .50MPT (Includes Nut)	
24	27246.0000	3	Temperature Sensor Assy (Includes Connector)	
25	28095.0000	2	Key, Drawer Lock Assy. (Set of Two)	
26	27088.0000	1	Washer, Nylon #6	
27	01521.0000	1	Washer, SST #6	

(Continued)

(Continued)



ELECTRICAL AND OPERATING CONTROLS

ITEM	PART NO.	QTY.	DESCRIPTION	
28	29282.0000	1	Bracket, Timer Mounting	
	21717.0000	2	Screw, Pan Head #6 x .375"	
29	28503.0000	1	Timer, 120V (CDS-3)	
	28503.0001	1	Timer, 230V (CDSA-3)	
	21717.0000	4	Screw, Pan Head #6-32 x .375"	
30	28185.1001	1	Cover, Switch (Includes item 31)	
31	29207.0000	1	Bail, Switch Cover	
32	27396.0000	3	Knob, Temperature Adjustment	
33	29742.0000	3	Push Nut	
34	29726.0000	3	Housing	
35	27788.0000	3	Spring	
36	27748.0000	3	Pin	
	00906.0000	6	Nut #6-32	
37	29728.1000	3	Probe, Level (3.50")	
	29728.1001	3	Probe, Level (1.88")	
38	03628.0000	3	Receptacle	
39	28569.0000	1	Relay, Compressor Start (CDS-3)	
	28569.0001	1	Relay, Compressor Start (CDSA-3)	
	01382.0003	1	Screw, Truss Head #6-32 x .375"	
40	-----	1	Strap, Capacitor Retaining (OBSOLETE PART)	
	01382.0003	2	Screw, Truss Head #6-32 x .375"	
41	28570.0000	1	Capacitor, Compressor Start (CDS-3)	
	28570.0001	1	Capacitor, Compressor Start (CDSA-3)	
42	28571.0000	1	Capacitor, Compressor Run (CDS-3)	
	28571.0001	1	Capacitor, Compressor Run (CDSA-3)	
43	-----	1	Cover, Relay (OBSOLETE PART)	} Early models only
	02332.0001	2	Screw, Hex Crimpite #6-32 x .25"	
44	29454.0000	1	Bracket, Relay Mounting	} Early models only
	01317.0003	2	Screw Truss Head Locking #8-32 x .375"	
45	00614.0000	1	Bushing	
46	01638.0002	1	Cord, Power 120V (CDS-3)	} Not Illustrated
	27728.0006	1	Cord, Power 230V (CDSA-3)	
47	29197.0000	1	Wiring Harness, Main	
48	21014.0123	1	Lead Electrical, Ground - 14AWG GRN 11" LG	} Not Illustrated
	00971.0000	2	Nut, Keps #10-32	
49	00617.0000	10	Tie, BLK Nylon 3.90" LG (As Required)	
50	12919.0000	6	Cap, Terminal	
51	-----	1	Lead, Electrical, Jumper 18AWG WHT/RED 4" LG (Used on dispensers with day/night timer)	
52	29759.0001	1	Wiring Harness, Power CDS-3 PAF	} Not Illustrated
	29759.0003	1	Wiring Harness, Power CDSA-3 PAF	
53	29763.0000	3	Resister, Probe Detector	
54	32501.0000	2	Voltage Divider 120V (CDS-3)	} Not Illustrated
	32501.0001	2	Voltage Divider 230V (CDSA-3)	
55	33106.0000	-	Kit, Relay 120V (CDS-3)	} Replaces Early Model Relay
	33106.0001	-	Kit, Relay 230V (CDSA-3)	

NUMERICAL INDEX

PART NO.	PAGE NO.	PART NO.	PAGE NO.	PART NO.	PAGE NO.	PART NO.	PAGE NO.
00614.0000.....	35,39	24457.0001.....	19	27433.0000.....	33,37	28505.0000.....	5
00617.0000.....	35,39	24566.0000.....	9	27437.0000.....	33,37	28505.0001.....	5
00906.0000.....	39	25948.0000.....	33,37	27438.0000.....	37	28517.0000.....	27
00927.0000.....	7	25948.0001.....	33,37	27440.0000.....	15,19	28539.0000.....	25
00970.0000.....	33	26528.0000.....	5	27441.0000.....	33,37	28540.0000.....	23
00971.0000.....	35,39	26713.1000.....	13	27442.0000.....	5	28540.0001.....	23
00986.0002.....	5	26714.1000.....	9	27443.0000.....	33,37	28567.0000.....	25
00987.0000.....	25	26714.1001.....	9	27445.1000.....	9,11	28568.0000.....	25
01311.0001.....	15,19	26717.0000.....	9	27446.0000.....	9,11	28569.0000.....	35,39
01315.0000.....	11,33	26780.0000.....	15,19	27447.0000.....	9	28569.0001.....	35,39
01317.0000.....	21,37	26781.0000.....	15,21	27448.0000.....	9	28570.0000.....	35,39
01317.0001.....	19	26782.0001.....	21	27641.0000.....	25,27	28570.0001.....	35,39
01317.0003.....	5,15,19,23,27	26784.0000.....	9,13	27642.0000.....	25,27	28571.0000.....	35,39
01317.0003.....	33,35,37,39	26786.0000.....	9,13	27643.0000.....	9,11	28571.0001.....	35,39
01326.0002.....	15,19	26786.0001.....	9,13	27644.1000.....	33	28573.0000.....	27
01330.0000.....	19	26786.0002.....	9	27664.0000.....	5	28574.0000.....	5
01330.0000.....	27	26786.0003.....	9	27728.0006.....	35,39	28574.0002.....	5
01338.0000.....	33,37	26788.0000.....	9,13	27748.0000.....	39	28644.0000.....	5
01377.0000.....	17,21	26792.0000.....	15,21	27788.0000.....	39	28644.0003.....	5
01382.0003.....	35,39	26793.0000.....	9,13	27938.0000.....	9	28645.0000.....	25,27
01393.0000.....	13	26793.0001.....	9,13	27939.1000.....	33,37	28651.0000.....	25
01501.0000.....	15,19	26958.0000.....	5	28027.0000.....	17,21	28720.0000.....	7
01521.0000.....	35,37	26958.0001.....	5	28062.0000.....	9	28771.0000.....	25
01522.0000.....	19	26972.0000.....	9,13	28078.0000.....	5	28771.0001.....	25
01532.0001.....	9,11	27058.0000.....	5	28078.0001.....	5	28772.0000.....	25
01533.0005.....	33,37	27058.0001.....	7	28079.1000.....	9	28773.0000.....	25
01638.0002.....	35,39	27058.0002.....	5	28079.1001.....	9	28774.0000.....	25
01666.0001.....	33,37	27058.0003.....	7	28079.1002.....	9	28776.0000.....	9
01685.0000.....	35,37	27088.0000.....	35,37	28080.1000.....	9,13	28777.0000.....	27
02308.0000.....	23	27135.0001.....	9	28080.1001.....	9,13	28777.0001.....	27
02329.0000.....	5	27136.0002.....	5	28081.0000.....	15,19	29083.0000.....	23
02331.0000.....	19	27136.0003.....	5	28082.0000.....	9	29084.0000.....	23
02332.0001.....	5,7,23,35,39	27137.0000.....	9,13	28082.0007.....	9	29084.0001.....	23
02332.0002.....	23	27178.0000.....	33,37	28083.0000.....	9,13	29097.0000.....	23
02335.0001.....	37	27178.0001.....	33,37	28088.0001.....	33,37	29159.0000.....	23
02336.0000.....	35	27181.0000.....	33	28089.1001.....	33,37	29160.0000.....	23
02360.0000.....	23,33,37	27219.0000.....	23	28090.0001.....	33,37	29160.0001.....	23
03231.0000.....	33,37	27223.0000.....	15,19	28093.1000.....	15,19	29168.0000.....	23
03628.0000.....	39	27224.0000.....	15,19	28093.1001.....	15	29195.1000.....	23
03851.0000.....	9,11	27228.0000.....	15	28095.0000.....	35,37	29195.1001.....	23
03996.0000.....	5	27231.0000.....	15	28096.0000.....	25	29195.1002.....	23
11556.0001.....	15,19	27231.0001.....	15	28098.0000.....	7	29196.0000.....	25
11628.0001.....	35,37	27232.0000.....	15,19	28106.0000.....	21	29197.0000.....	35,39
12421.1001.....	7	27235.0000.....	9	28106.0001.....	17	29207.0000.....	35,39
12421.1002.....	7	27243.0000.....	23	28107.0000.....	9,13	29220.1000.....	5
12421.1003.....	7	27246.0000.....	35,37	28125.0000.....	7	29220.1001.....	5
12559.0003.....	33,37	27256.0000.....	9	28185.1001.....	35,39	29282.0000.....	35,39
12919.0000.....	35,39	27257.0000.....	23	28216.1000.....	9,13	29283.0000.....	23
13255.0003.....	7	27258.0000.....	23	28216.1001.....	9,13	29291.0000.....	27
20317.0000.....	33,37	27394.0000.....	5	28236.0000.....	17	29292.0000.....	25
21005.0762.....	35	27394.0001.....	5	28391.0000.....	9,13	29369.0000.....	5
21014.0123.....	35,39	27396.0000.....	35,39	28444.0000.....	23	29369.0001.....	5
21436.0000.....	5	27410.0000.....	7	28493.1001.....	25	29421.0000.....	27
21437.1000.....	5	27411.0000.....	31	28503.0000.....	35,39	29424.0000.....	7
21717.0000.....	35,39	27412.1001.....	33,37	28503.0001.....	35,39	29428.0000.....	7

NUMERICAL INDEX

PART NO.	PAGE NO.	PART NO.	PAGE NO.	PART NO.	PAGE NO.	PART NO.	PAGE NO.
29446.0001.....	35						
29454.0000.....	35,39						
29478.0000.....	27						
29479.0000.....	27						
29480.0000.....	27						
29591.0001.....	19						
29591.0002.....	19						
29702.1000.....	7						
29724.0000.....	19						
29725.0000.....	21						
29726.0000.....	39						
29728.1000.....	39						
29728.1001.....	39						
29742.0000.....	39						
29759.0001.....	39						
29759.0003.....	39						
29763.0000.....	39						
29844.0000.....	19						
32091.0002.....	17,21						
32091.0003.....	17,21						
32096.0000.....	11						
32105.0000.....	11						
32105.0001.....	11						
32106.1000.....	15,19						
32175.0000.....	21						
32189.0000.....	11						
32190.1000.....	11						
32190.1002.....	11						
32191.0000.....	11						
32193.0000.....	11						
32195.0000.....	11						
32196.1000.....	11						
32196.1001.....	11						
32265.0001.....	11						
32266.0000.....	11						
32267.1000.....	9,11						
32268.0000.....	11						
32310.1000.....	25						
32449.0000.....	15,19						
32501.0000.....	39						
32501.0001.....	39						
32580.0000.....	5,7						
32632.0000.....	21						
33106.0000.....	35,39						
33106.0001.....	35,39						
33176.0000.....	13						
33179.0000.....	13						
33749.0000.....	31						
33765.0001.....	31						
34836.0000.....	15,19						
34836.0001.....	15,19						
37593.0000.....	15						
M2546.0000.....	27,29,31						
M2548.1000.....	17,21						
M2550.0000.....	9,13,17,21						