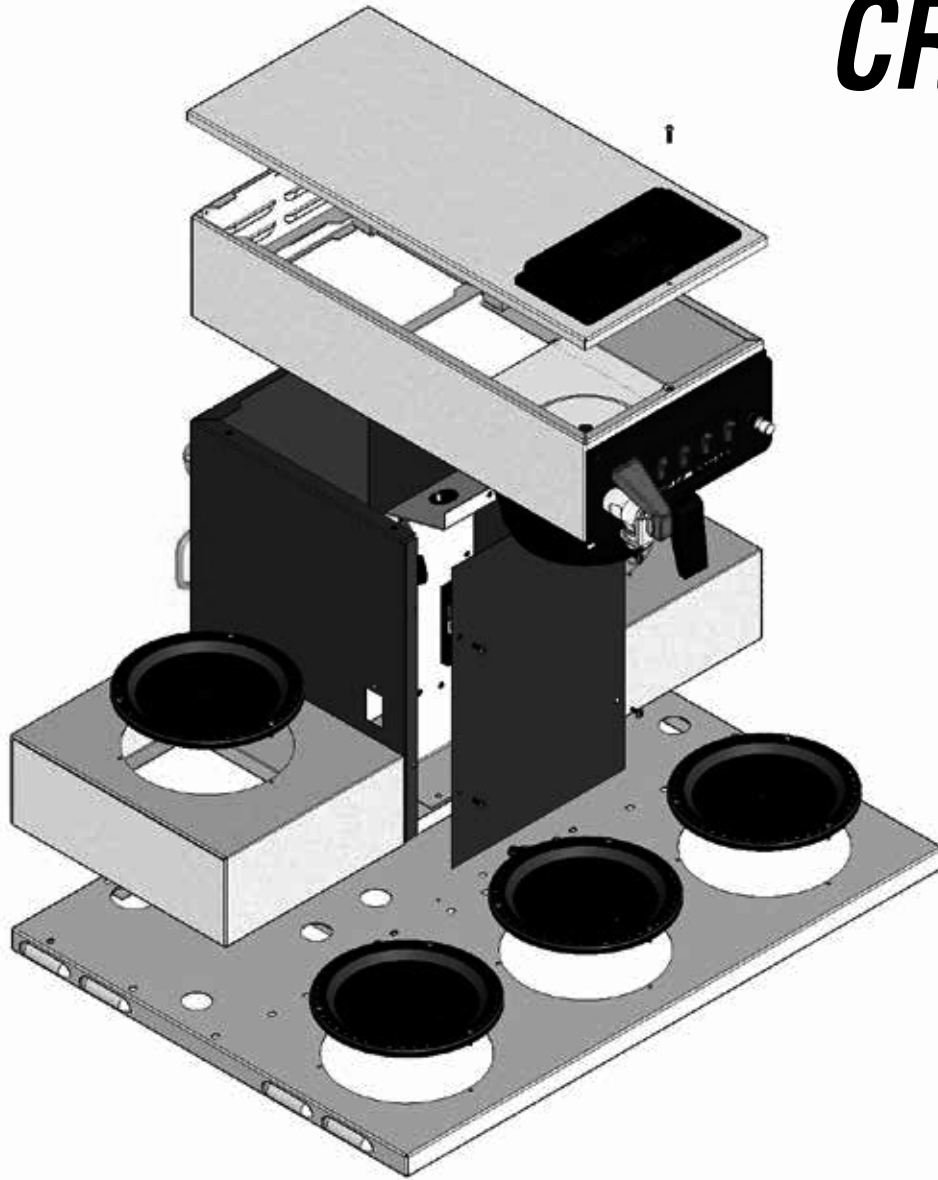


BUNN®

CRT5 *CRTF5*



ILLUSTRATED PARTS CATALOG

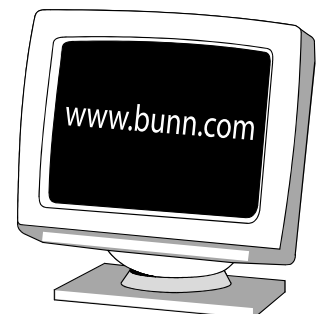
Designs, materials, weights, specifications, and dimensions for equipment or replacement parts are subject to change without notice.

BUNN-O-MATIC CORPORATION

POST OFFICE BOX 3227

SPRINGFIELD, ILLINOIS 62708-3227

PHONE: (217) 529-6601 FAX: (217) 529-6644



BUNN-O-MATIC COMMERCIAL PRODUCT WARRANTY

Bunn-O-Matic Corp. ("BUNN") warrants equipment manufactured by it as follows:

- 1) Airpots, thermal carafes, decanters, GPR servers, iced tea/coffee dispensers, MCP/MCA pod brewers thermal servers and Thermofresh servers (mechanical and digital)- 1 year parts and 1 year labor.
- 2) All other equipment - 2 years parts and 1 year labor plus added warranties as specified below:
 - a) Electronic circuit and/or control boards - parts and labor for 3 years.
 - b) Compressors on refrigeration equipment - 5 years parts and 1 year labor.
 - c) Grinding burrs on coffee grinding equipment to grind coffee to meet original factory screen sieve analysis - parts and labor for 4 years or 40,000 pounds of coffee, whichever comes first.

These warranty periods run from the date of installation BUNN warrants that the equipment manufactured by it will be commercially free of defects in material and workmanship existing at the time of manufacture and appearing within the applicable warranty period. This warranty does not apply to any equipment, component or part that was not manufactured by BUNN or that, in BUNN's judgment, has been affected by misuse, neglect, alteration, improper installation or operation, improper maintenance or repair, non periodic cleaning and descaling, equipment failures related to poor water quality, damage or casualty. In addition, the warranty does not apply to replacement of items subject to normal use including but not limited to user replaceable parts such as seals and gaskets. This warranty is conditioned on the Buyer 1) giving BUNN prompt notice of any claim to be made under this warranty by telephone at (217) 529-6601 or by writing to Post Office Box 3227, Springfield, Illinois 62708-3227; 2) if requested by BUNN, shipping the defective equipment prepaid to an authorized BUNN service location; and 3) receiving prior authorization from BUNN that the defective equipment is under warranty.

THE FOREGOING WARRANTY IS EXCLUSIVE AND IS IN LIEU OF ANY OTHER WARRANTY, WRITTEN OR ORAL, EXPRESS OR IMPLIED, INCLUDING, BUT NOT LIMITED TO, ANY IMPLIED WARRANTY OF EITHER MERCHANTABILITY OR FITNESS FOR A PARTICULAR PURPOSE. The agents, dealers or employees of BUNN are not authorized to make modifications to this warranty or to make additional warranties that are binding on BUNN. Accordingly, statements by such individuals, whether oral or written, do not constitute warranties and should not be relied upon.

If BUNN determines in its sole discretion that the equipment does not conform to the warranty, BUNN, at its exclusive option while the equipment is under warranty, shall either 1) provide at no charge replacement parts and/or labor (during the applicable parts and labor warranty periods specified above) to repair the defective components, provided that this repair is done by a BUNN Authorized Service Representative; or 2) shall replace the equipment or refund the purchase price for the equipment.

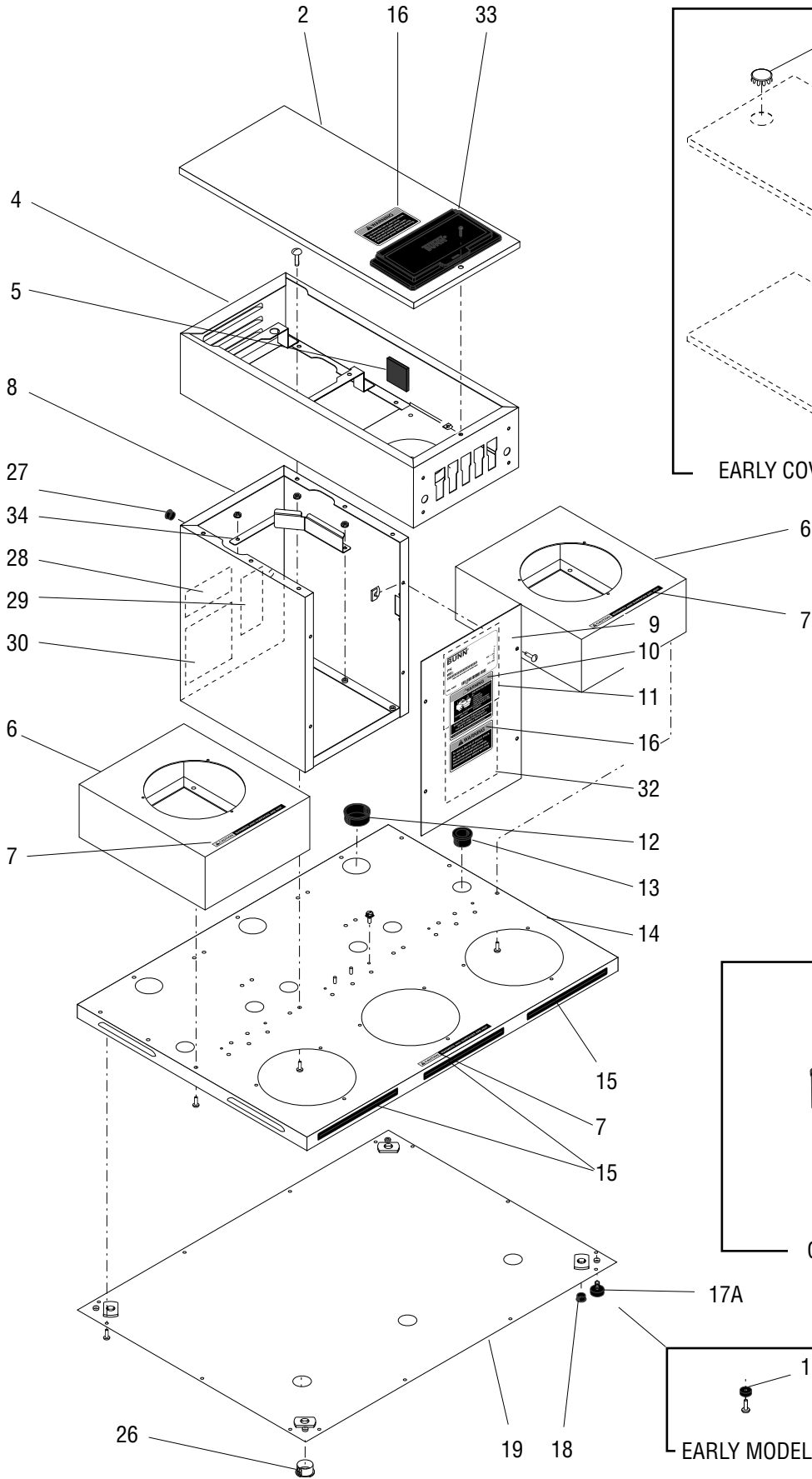
THE BUYER'S REMEDY AGAINST BUNN FOR THE BREACH OF ANY OBLIGATION ARISING OUT OF THE SALE OF THIS EQUIPMENT, WHETHER DERIVED FROM WARRANTY OR OTHERWISE, SHALL BE LIMITED, AT BUNN'S SOLE OPTION AS SPECIFIED HEREIN, TO REPAIR, REPLACEMENT OR REFUND.

In no event shall BUNN be liable for any other damage or loss, including, but not limited to, lost profits, lost sales, loss of use of equipment, claims of Buyer's customers, cost of capital, cost of down time, cost of substitute equipment, facilities or services, or any other special, incidental or consequential damages.

392, A Partner You Can Count On, Air Infusion, AutoPOD, AXIOM, BrewLOGIC, BrewMETER, Brew Better Not Bitter, BrewWISE, BrewWIZARD, BUNN Espresso, BUNN Family Gourmet, BUNN Gourmet, BUNN Pour-O-Matic, BUNN, BUNN with the stylized red line, BUNNlink, Bunn-O-Matic, Bunn-O-Matic, BUNNserve, BUNNSERVE with the stylized wrench design, Cool Froth, DBC, Dr. Brew stylized Dr. design, Dual, Easy Pour, EasyClear, EasyGard, FlavorGard, Gourmet Ice, Gourmet Juice, High Intensity, iMIX, Infusion Series, Intellisteam, My Café, Phase Brew, PowerLogic, Quality Beverage Equipment Worldwide, Respect Earth, Respect Earth with the stylized leaf and coffee cherry design, Safety-Fresh, savemycoffee.com, Scale-Pro, Silver Series, Single, Smart Funnel, Smart Hopper, SmartWAVE, Soft Heat, SplashGard, The Mark of Quality in Beverage Equipment Worldwide, ThermoFresh, Titan, trifecta, Velocity Brew, Air Brew, Beverage Bar Creator, Beverage Profit Calculator, Brew better, not bitter., BUNNSource, Coffee At Its Best, Cyclonic Heating System, Daypart, Digital Brewer Control, Element, Nothing Brews Like a BUNN, Pouring Profits, Signature Series, Tea At Its Best, The Horizontal Red Line, Ultra are either trademarks or registered trademarks of Bunn-O-Matic Corporation. The commercial trifecta® brewer housing configuration is a trademark of Bunn-O-Matic Corporation.

TABLE OF CONTENTS

Hood, Trunk and Panels	4
Fill Basin	8
Tank and Components - CRT5,CRTA5,CRTB5 (w/o Faucet)	10
Tank and Components - CRTF5,CRTFA5,CRTFB5 (with Faucet)	12
Manifolds	14
External Strainer, Flow Control, Solenoid and Lines	16
Internal Strainer, Flow Control, Solenoid and Lines.....	18
Fill Solenoids.....	20
Faucet and Tubing	22
Electrical and Operating Controls.....	24
Warmer Assemblies	28
Funnels and Filter Basket	30
Numerical Index.....	32



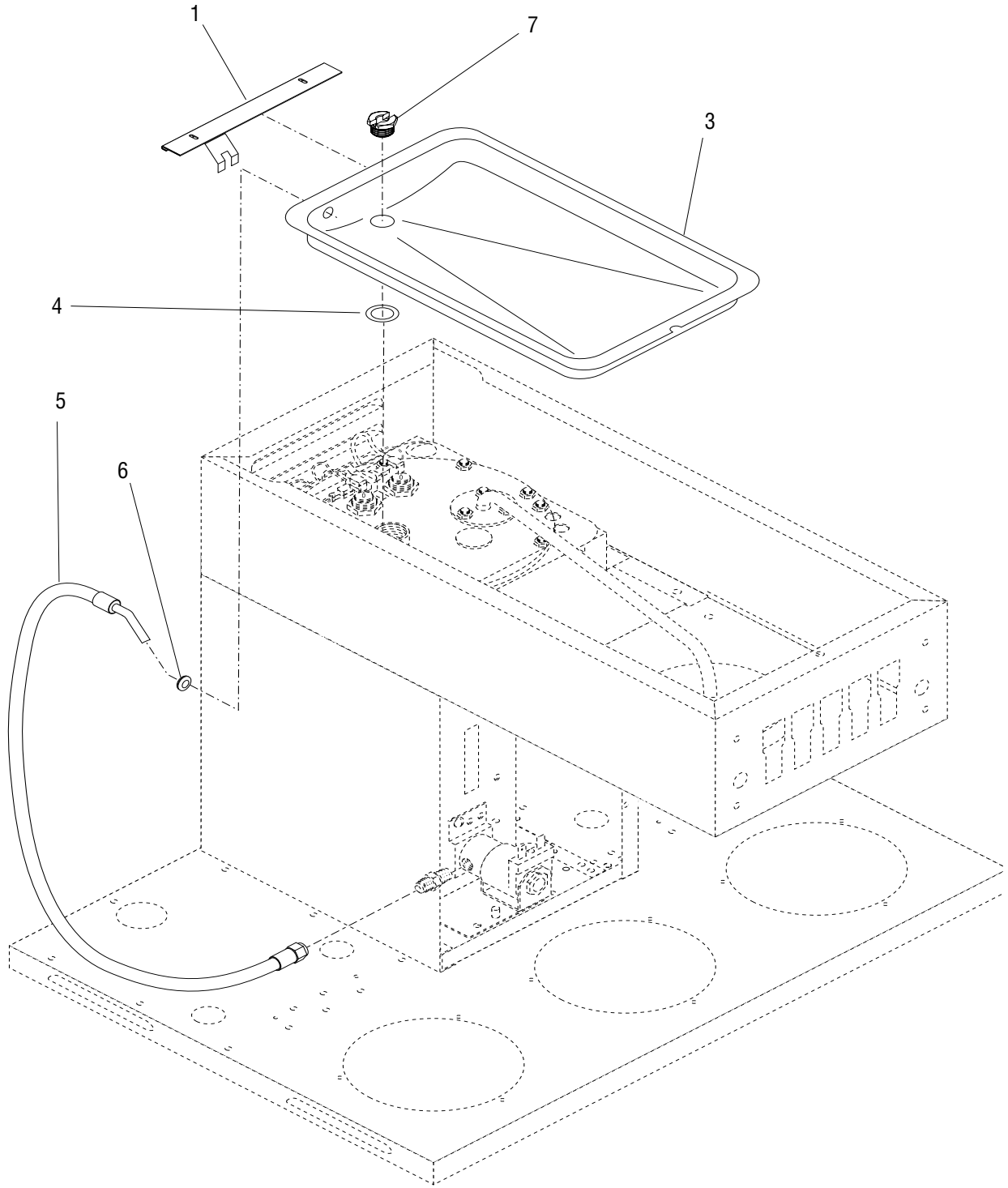
HOOD, TRUNK AND PANELS

ITEM	PART NO.	QTY.	DESCRIPTION
1	02722.0000	1	Lid, Pour-In (Early Models)
	01319.0000	1	Screw, Thumb, #8-32 x .75"
	00912.0000	1	Fastener, J-Type #8-32
2	12953.1001	1	Cover Assembly, Top (Includes Decal & Flip Lid)
	01303.0000	1	Screw, Pan Head #4-40 x .50"
	00916.0000	1	Fastener, J-Type #4-40
3	00833.0000	1	Decal, Pour-In Water Only
4	13350.0006	1	Housing, Hood
	02308.0000	6	Screw, Pan Head Serrated #8-32 x .375"
5	03263.0002	1	Spacer, Sponge W/Adhesive (Early Models)
6	25658.0000	2	Housing W/Decal, Side Warmer (Includes Decal)
	02308.0000	14	Screw, Pan Head Serrated #8-32 x .375"
7	12364.0000	2	Decal, Caution - Warmers And Surfaces Are Hot
8	34061.1035	1	Trunk W/Decals Late Models with ON/OFF Rocker Switch (includes Decals)
	25352.0001	1	Trunk W/Decals Early Models w/o Switch (includes Decals & Plugs)
	02308.0000	9	Screw, Pan Head Serrated #8-32 x .375"
9	25144.0006	1	Panel W/Decals (Includes items 10, 11)(also order Item 32 for late models)
	25144.0002	1	Panel W/Decal (Includes item 10) ("A" & "B" Models)
	01382.0000	4	Screw, Truss Head #6-32 x .375"
	00988.0000	4	Fastener, U-Type #6-32
10	00658.0000	1	Decal, Caution - Decanter/Funnel
11	10476.0000	1	Schematic, Electrical 120V & 120V/240V
12	01593.0000	3	Bushing, Snap 1.5" Dia
13	01592.0000	3	Bushing, Snap 1" Dia
14	25755.0000	1	Housing W/Decals, Base (Includes items 15, 16, 17A & 19)
	25755.0002	1	Housing W/Decals, Base (Includes items 15 & 16) (If for Early Models also order .250" Legs)
15	22306.0000	3	Decal, Red Decorative Stripe
16	37881.0000	2	Decal, No Serviceable Parts
17	11435.0000	4	Foot, Rubber - .625" Dia x .25 Ht (Early Models)
	02308.0000	4	Screw, Pan Head Serrated #8-32 x .375"
	22568.0000	1	Kit, Foot Set of 4 (Includes Screws)

(Continued)

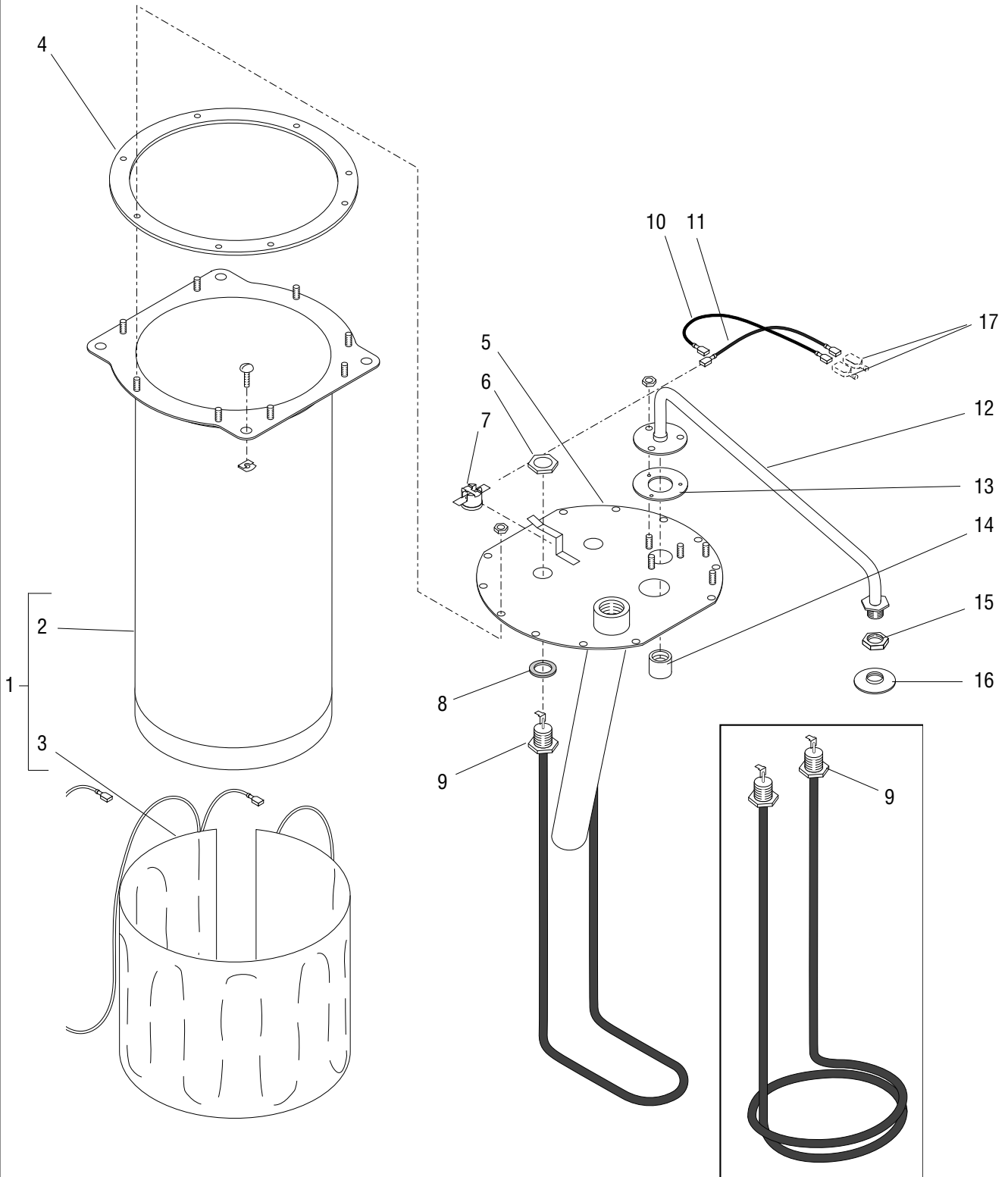
HOOD, TRUNK AND PANELS

ITEM	PART NO.	QTY.	DESCRIPTION
17A	25137.0000	4	Foot, .25"-20 (Late Models)
	35712.0000	1	Kit, Foot Set of 4
18	00671.0000	4	Plug, Hole - Nyl .312" Dia. (Not used on brewers with 4" adjustable legs.) (Early Models)
19	12832.0001	1	Plate Assembly, Base (Early Models)
	26583.0000	1	Plate Assembly, Base (Late Models)
	02332.0002	14	Screw, Hex-Crimptite #6 x .375"
20	12070.0001	4	Leg, Plastic - 4.0" Lg
	12072.0001	1	Leg Kit, Set of 4, Includes Pads & Screws
	01321.0000	4	Screw, Truss Head #8-32 x 1"
21	12071.0001	4	Plug, Leg-Rubber
22	03359.0001*	4	Leg, Adjustable Plastic - 4.0" Lg (.375"-16) (Obs. Order 26528.0001)
	13255.0001	1	Leg Kit, Adjustable Plastic - Set of 4, Includes Pads (Early Models)
	03359.0001	4	Leg, Adjustable Plastic - 4.0" Lg (.250"-20) (Late Models)
	13255.0005	1	Leg Kit, Adjustable Plastic - Set of 4, Includes Pads (Late Models)
23	03993.0000	4	Pad, Rubber .70" Dia
		4	Leg, Adjustable Nickel 4.0" Lg (Early Models)
24	00502.0000	4	Leg, Adjustable Nickel 4.0" Lg (Early Models)
	00511.0000	4	Leg, Adjustable Nickel 4.0" Lg (Late Models)
25	03996.0000	4	Pad, Rubber 1.25" Dia.
26	03011.0000	3	Plug, Vent 1.0" Dia. (Early Models)
27	00670.0000	1	Plug, Hole .437" Dia (Brewers W/Out Faucet)
28	00656.0001	1	Decal, Comply To Plumbing Code
29	26225.0000	1	Decal, Flow Control/Strainer (Brewers W/External Flow Control and Faucet)
30	00831.0000	1	Decal, Warning - Electrical
31	02999.0000	1	Plug, Hole - 1.19" Dia (Late Models)
32	32540.0000	1	Decal, Batch Set (Digital Timer) (Late Models)
33	38498.1000	1	Flip Lid Assembly
34	37930.0001	1	Channel, Cordset



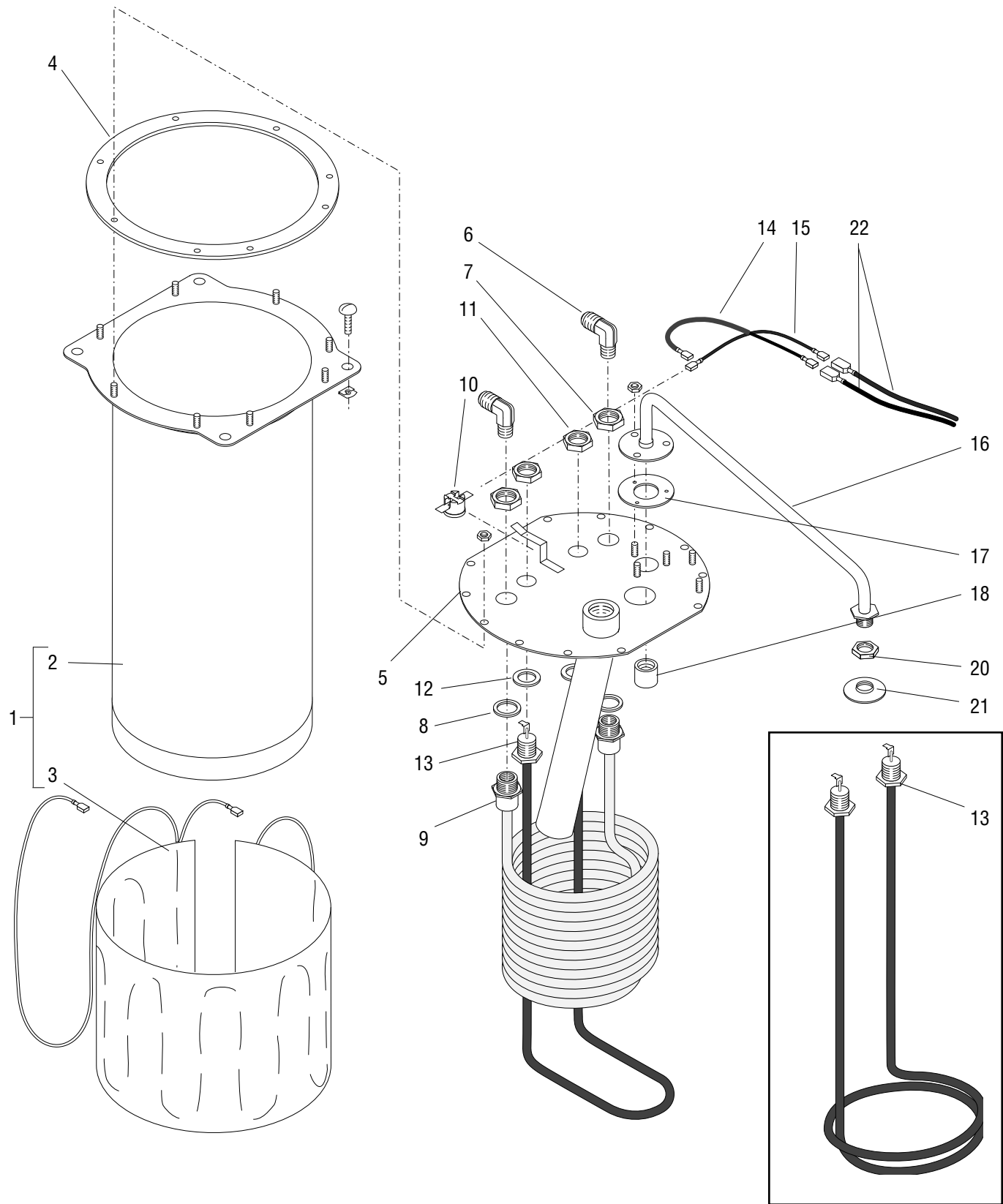
FILL BASIN

ITEM	PART NO.	QTY.	DESCRIPTION
1	27514.0000	1	Plate, Splash Guard
2	01212.0000	1	Fitting, Tank Inlet (Early Models)
3	04270.0002	1	Fill Basin
4	01201.0000	1	Gasket, Tank Inlet
5	12914.0002	1	Tube Assembly, Solenoid To Fill Basin (Includes item 6)
6	12928.0000	1	Grommet, Basin
7	01212.0000	1	Fitting



TANK AND COMPONENTS W/OUT FAUCET

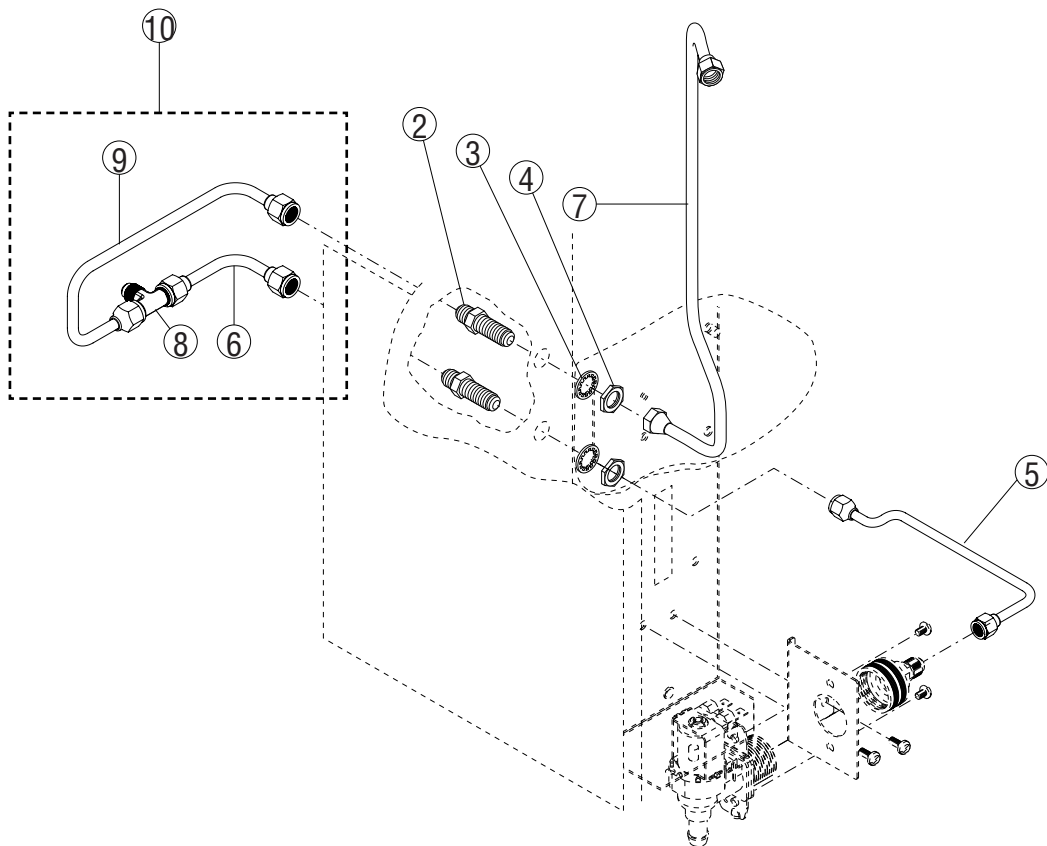
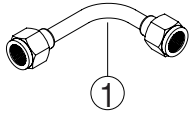
ITEM	PART NO.	QTY.	DESCRIPTION	
-	25319.1001	1	Tank Assy, 1800W 120V (Includes items 1 thru 15)	
	25319.1002	1	Tank Assy, 3500W 120/240V (Includes items 1 thru 15)	
	-----	1	Tank Assy, 1850W 220V (Includes items 1 thru 15)	} Not Available. Order Components.
	-----	1	Tank Assy, 3500W 240V (Includes items 1 thru 15)	
	01315.0000	2	Screw, Truss Head #8-32 x .3/8"	
	00912.0000	2	Fastener, J-Type #8-32	
1	04119.0000	1	Tank W/Blanket Warmer, 120V	} Includes items 2 & 3
	04133.0000	1	Tank W/Blanket Warmer, 220V	
2	04118.0000	1	Tank	
3	04260.0000	1	Blanket Warmer, 50W 120V	
	01927.0000	1	Blanket Warmer, 50W 220V	
4	04221.0000	1	Gasket, Tank Lid	
5	25158.0002	1	Tank Lid	
	00908.0000	8	Nut, Hex #8-32	
6	00942.0000	2	Nut, Hex .50"-20	
7	29329.1000	1	Thermostat, Limit	
8	00943.0000	2	Gasket, Tank Heater	
9	04636.1000	1	Tank Heater, 1800W 120V	} Includes item 8
	01925.1000	1	Tank Heater, 1850W 220V	
	20941.1000	1	Tank Heater, 3500W 200V	
	04637.1000	1	Tank Heater, 3500W 240V	
10	23769.0000	1	Lead, Electrical BLK (Thermostat to Heater)	
11	23768.0000	1	Lead, Electrical BLU(Thermostat to Limit)	
12	11431.0002	1	Sprayhead Tube Kit (Includes 3 mounting nuts below & items 15 & 16)	
	00908.0000	3	Nut, Hex #8-32	
13	05515.0000	1	Gasket, Sprayhead Tube	
14	05518.0000	1	Hub, Syphon	
15	01075.0000	1	Nut, Hex .438" - 20	
16	01082.0000	1	Sprayhead, 6-Hole	
	01082.0004	1	Sprayhead, 5-Hole ("A" Models Only-Optional)	
	01082.0007	1	Sprayhead, 1-Hole (Brewers with Pouch-Pack Funnel)	
17	-----	-	Thermostat Leads (See Electrical and Operating Controls)	



TANK AND COMPONENTS WITH FAUCET

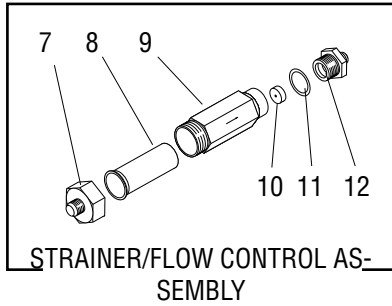
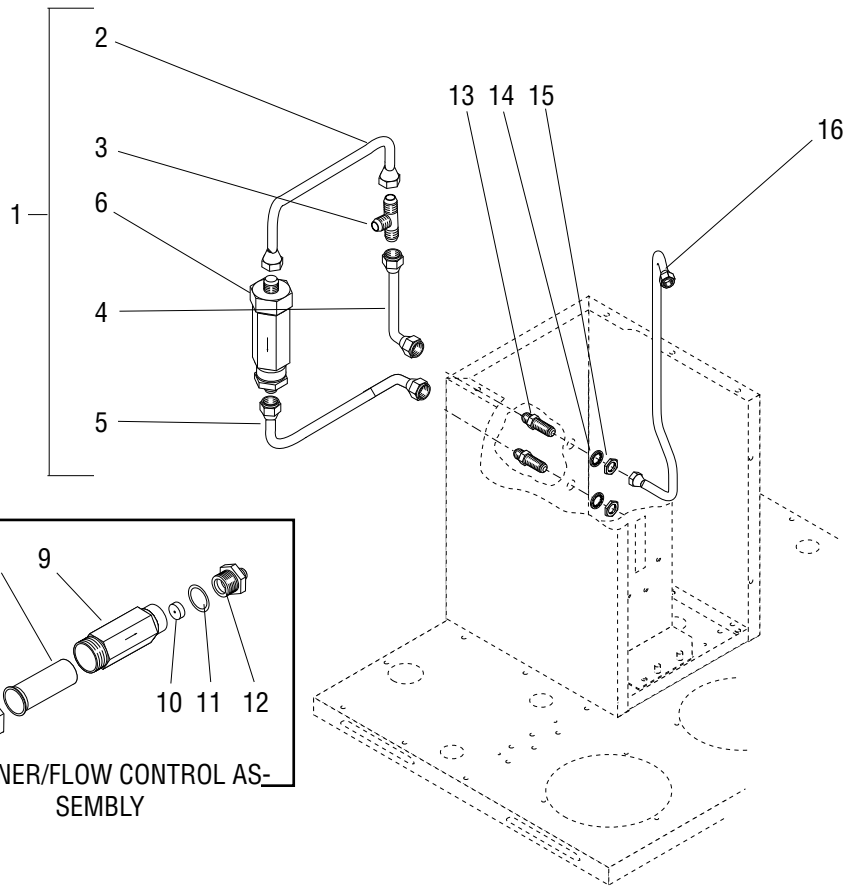
ITEM	PART NO.	QTY.	DESCRIPTION	
-	25320.1001	1	Tank Assy, 1800W 120V (Includes items 1 thru 19)] Not Available. Order Components.
	25320.1002	1	Tank Assy, 3500W 120/240V (Includes items 1 thru 19)	
	-----	1	Tank Assy, 1850W 220V (Includes items 1 thru 19)	
	-----	1	Tank Assy, 3500W 240V (Includes items 1 thru 19)	
	01315.0000	2	Screw, Truss Head #8-32 x .375"	
	00912.0000	2	Fastener, J-Type #8-32	
1	04119.0000	1	Tank W/Blanket Warmer, 120V] Includes items 2 & 3
	04133.0000	1	Tank W/Blanket Warmer, 220V	
2	04118.0000	1	Tank	
3	04260.0000	1	Blanket Warmer, 50W 120V	
	01927.0000	1	Blanket Warmer, 50W 220V	
4	04221.0000	1	Gasket, Tank Lid	
5	25158.0003	1	Tank Lid	
	00908.0000	8	Nut, Hex #8-32	
6	00400.0001	2	Elbow, Male .250" Flare x .125" MPT	
7	12687.0000	2	Nut, Hex Brass .562"-24 (Water Coil)	
8	12688.0000	2	Gasket, Water Coil	
9	12689.1000	1	Coil Assy, Hot Water (Includes item 8)	
10	29329.1000	1	Thermostat, Limit	
11	00942.0000	2	Nut, Hex .50"-20 (Tank Heater)	
12	00943.0000	2	Gasket, Tank Heater	
13	04636.1000	1	Tank Heater, 1800W 120V] Includes item 12
	01925.1000	1	Tank Heater, 1850W 220V	
	04637.1000	1	Tank Heater, 3500W 240V	
	20941.1000	1	Tank Heater, 3500W 200V	
14	20211.0100	1	Thermal Safety Fuse (Thermostat to Heater)	
15	23768.0000	1	Lead, Electrical BLU (Thermostat to Limit)	
16	11431.0002	1	Sprayhead Tube Kit (Includes 3 mounting nuts below & items 20 & 21)	
	00908.0000	3	Nut, Hex #8-32	
17	05515.0000	1	Gasket, Sprayhead tube	
18	05518.0000	1	Hub, Syphon	
21	01082.0000	1	Sprayhead, 6-Hole	
	01082.0004	1	Sprayhead, 5-Hole ("A" Models Only-Optional)	
	01082.0007	1	Sprayhead, 1-Hole (Brewers With Pouch-Pack Funnel)	
22	-----	-	Thermostat Leads (See Electrical and Operating Controls)	

W/O Faucet (Optional)

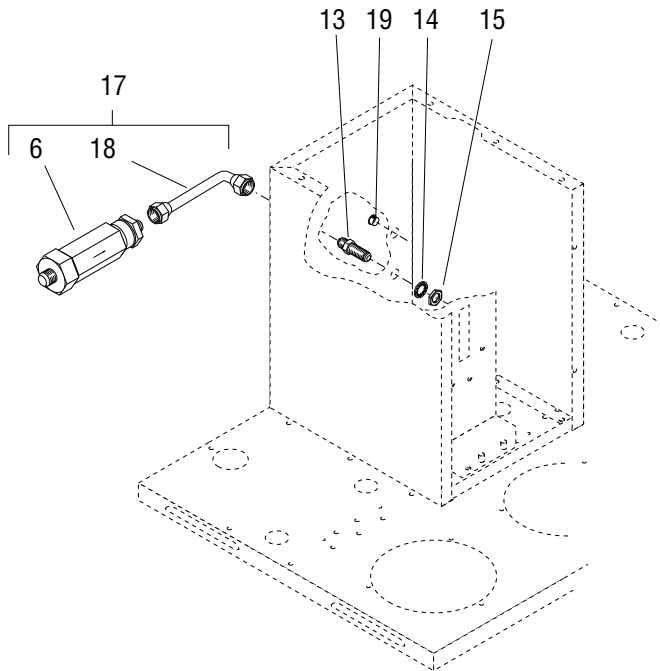


MANIFOLD ASSEMBLIES - LATER MODELS

ITEM	PART NO.	QTY.	DESCRIPTION
1	00310.0000	1	Tube Assy. (Optional)
2	00459.0001	2	Fitting, Bulkhead .250" Flare
3	01532.0000	2	Lockwasher, Internal Tooth .438" I.D.
4	00463.0000	2	Nut, Hex .438"-20
5	41252.0000	1	Tube, Bulkhead to Solenoid
6	21814.0016	1	Tube
7	20690.0000	1	Tube Assy, Bulkhead to Coil
8	20577.0001	1	Tee .25" Flare
9	41257.0000	1	Tube Assy,
10	41254.0000	1	Tube Assy,



BREWERS WITH FAUCET

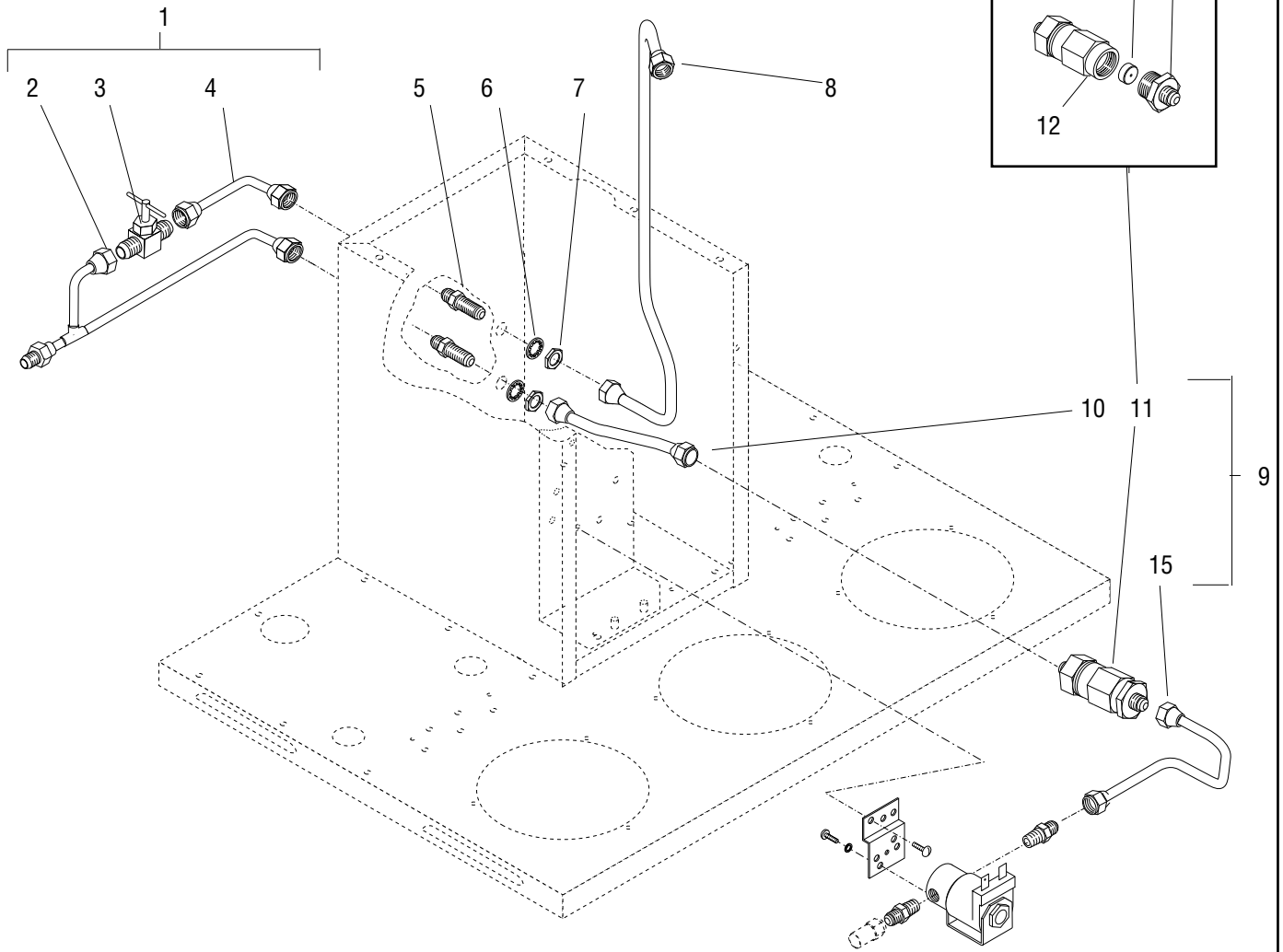


BREWERS WITHOUT FAUCET

EXTERNAL STRAINER - FLOW CONTROL AND LINES

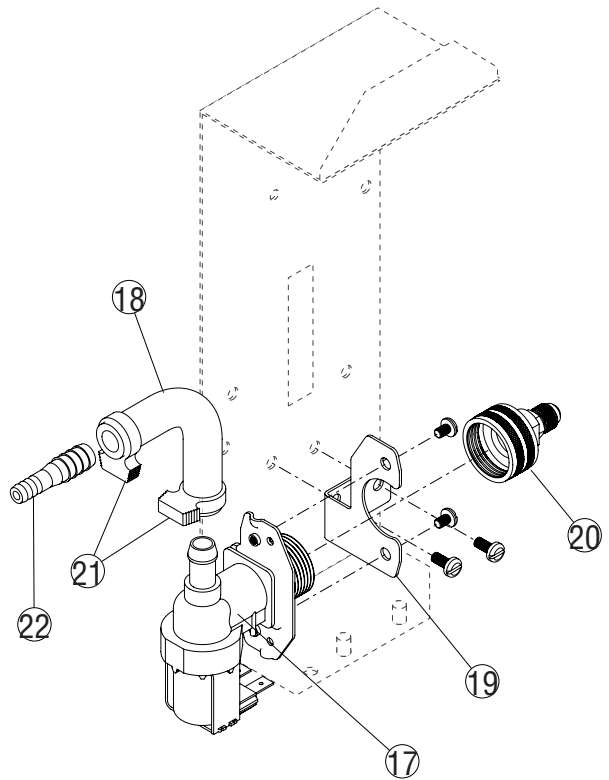
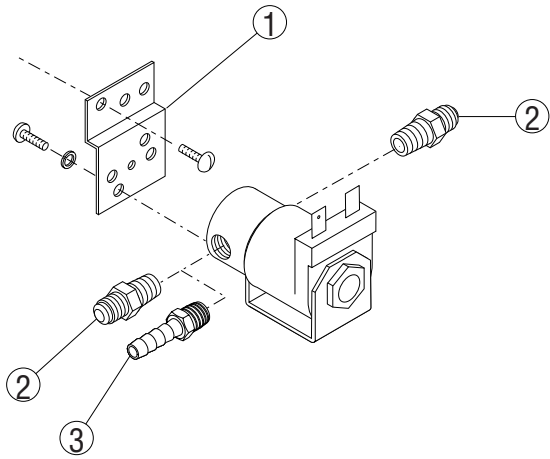
ITEM	PART NO.	QTY.	DESCRIPTION
1	24394.0222	1	Strainer/Flow Control Assembly (.222 GPM) (Includes items 2 thru 6)(Brewers with Faucet and 6-Hole Sprayhead)
	24394.0175	1	Strainer/Flow Control Assembly (.175 GPM) (Includes items 2 thru 6)(Brewers with Faucet and 5-Hole Sprayhead)
2	26216.0000	1	Tube Assembly, Flow Control to Tee
3	20577.0001	1	Tee, .250" Flare
4	21812.0010	1	Tube Assembly, Tee to Bulkhead
5	26217.0000	1	Tube Assembly, Flow Control to Bulkhead
6	22300.0222	1	Strainer/Flow Control Assembly (.222 GPM)(Includes items 7 thru 12)(Brewers with 6-Hole Sprayhead)
	22300.0175	1	Strainer/Flow Control Assembly (.175 GPM)(Includes items 7 thru 12)(Brewers with 5-Hole Sprayhead)
7	22249.0000	1	Fitting, Flow Control Inlet
8	23721.0000	1	Screen
9	-----	1	Body (Not Serviced. Order Item 6)
10	20526.1222	1	Flow Washer/Gasket Set (.222 GPM) (Includes item 11)
	20526.1175	1	Flow Washer/Gasket Set (.175 GPM) (Includes item 11)
11	01155.0000	1	Gasket, Flow Control
12	01154.0000	1	Fitting, Flow Control Outlet
13	00459.0000	2	Fitting, Bulkhead .250" Flare
14	01532.0000	2	Lockwasher, Internal Tooth .438"
15	00463.0000	2	Nut, Hex .438"-20
16	20690.0000	1	Tube Assembly, Bulkhead to Coil
17	24356.0222	1	Strainer/Flow Control Assembly (.222 GPM) (Includes items 6 & 26)(Brewers without Faucet and with 6-Hole Sprayhead)
	24356.0175	1	Strainer/Flow Control Assembly (.175 GPM)(Includes items 6 & 26)(Brewers without Faucet and with 5-Hole Sprayhead)
18	00310.0000	1	Tube Assembly, Flow Control to Bulkhead
19	00670.0000	1	Plug, Hole .437" I.D. (Brewers without Faucet)

} One less used on Brewers without Faucet

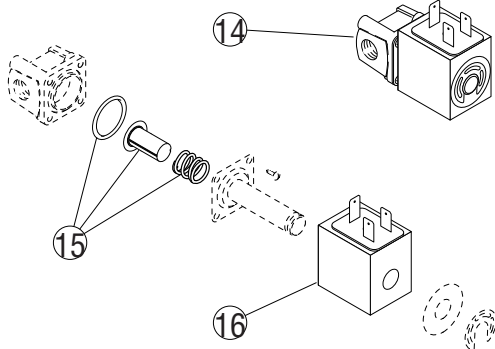


INTERNAL STRAINER-FLOW CONTROL, AND LINES

ITEM	PART NO.	QTY.	DESCRIPTION	
1	20784.0000	1	Manifold/Needle Valve Assembly (Includes item 2, 3 & 4)	
2	20785.0000	1	Tube Assembly, Manifold	} Brewers with Faucet
3	00484.0001	1	Needle Valve, .250" Flare	
4	21812.0006	1	Tube Assembly, Needle Valve to Bulkhead	
5	00459.0000	2	Fitting, Bulkhead .250" Flare	} One less used on Brewers without Faucet
6	01532.0000	2	Lockwasher, Internal Tooth .438"	
7	00463.0000	2	Nut, Hex .438"-20	
8	20690.0000	1	Tube Assembly, Bulkhead to Coil (Brewers with Faucet)	
9	20783.0000	1	Strainer/Flow Control Assembly (Includes items 10, 11 & 15)	
10	20782.0000	1	Tube Assembly, Bulkhead to Strainer/Flow Control	
11	01148.0001	1	Strainer/Flow Control Assembly (Includes items 12, 13 & 14)	
12	-----	1	Strainer/Flow Control Body and Screen Assembly (Not Serviced. Order item 11)	
13	20526.0222	1	Flow Washer, .222 GPM	
14	-----	1	Fitting and Gasket, Flow Control Outlet (Not Serviced. Order item 11)	
15	20786.1000	1	Tube Assembly, Strainer/Flow Control to Solenoid	

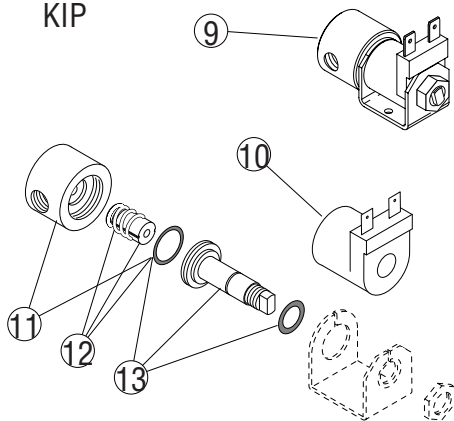


ASCO

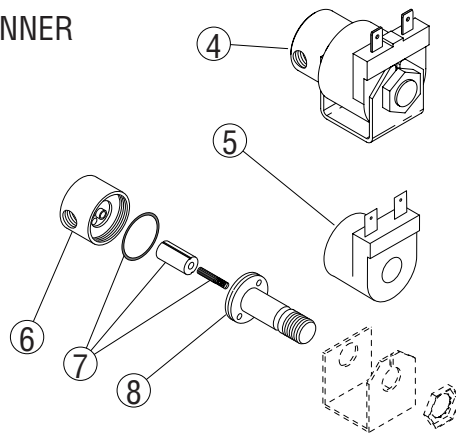


ELTEK

KIP



SKINNER

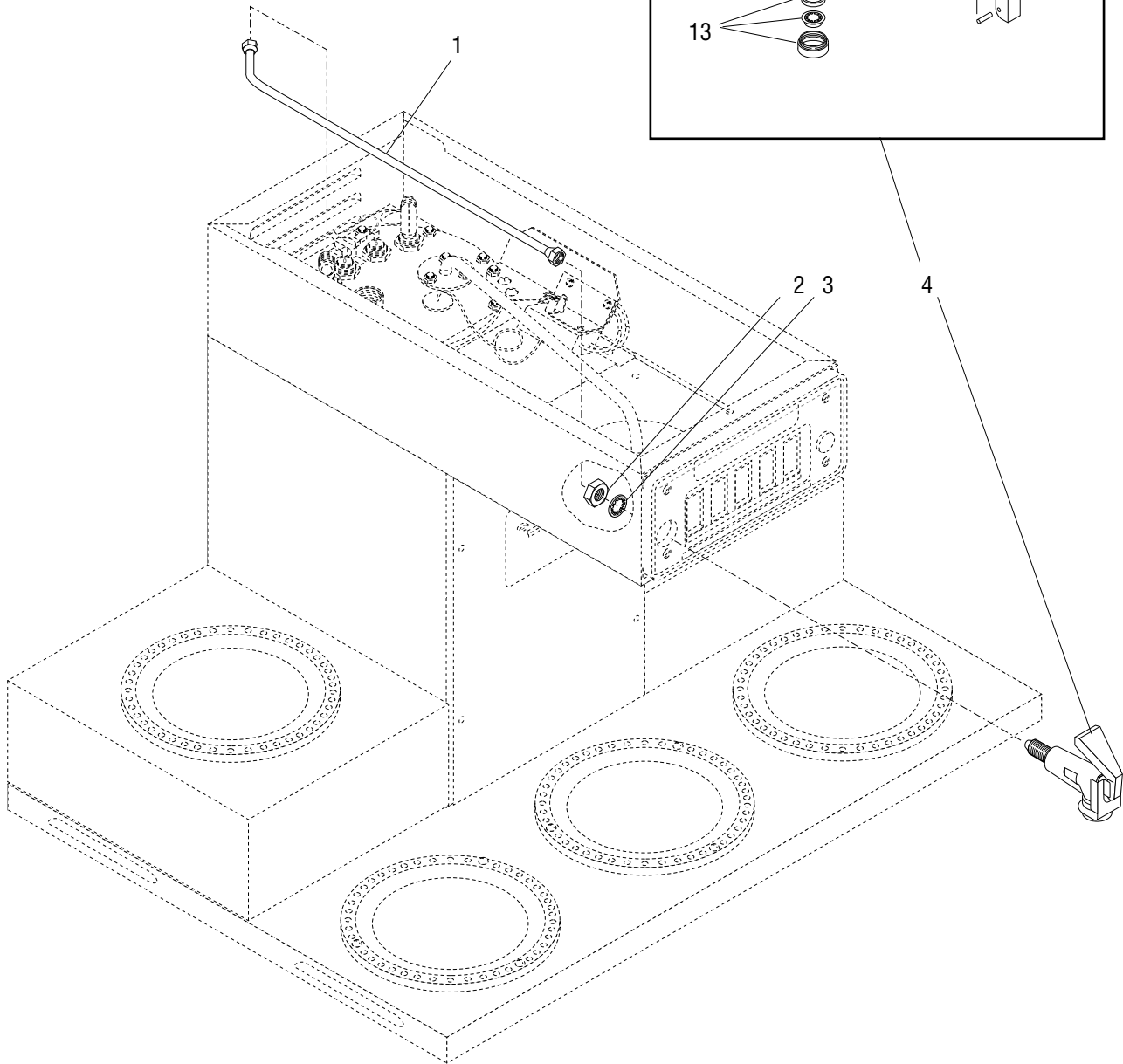
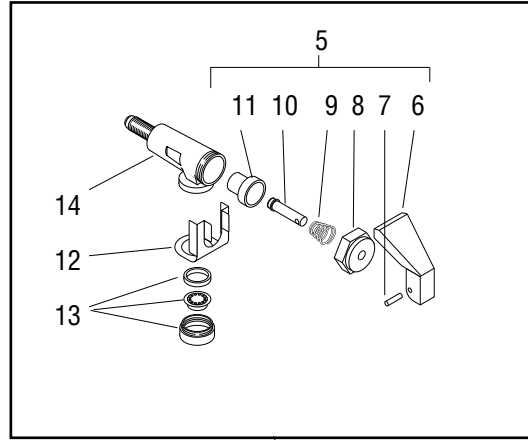
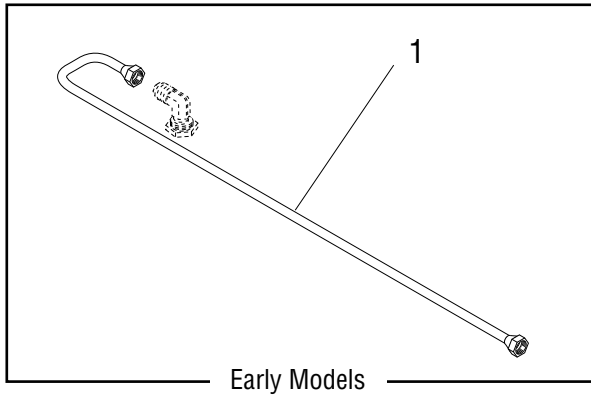


FILL SOLENOIDS

ITEM	PART NO.	QTY.	DESCRIPTION
1	07441.0000	1	Bracket, Solenoid Mounting
	02308.0000	2	Screw, #8-32 X .375" (Bracket - Bracket)
	01327.0000	2	Screw, Pan Head #10-32 x .375" (Bracket - Solenoid)
	01502.0000	2	Lockwasher, Split #10 (Bracket - Solenoid)
2	00402.0001	1	Connector, Male .25" Flare x .125" MPT (2 Used On Early Models)
3	22397.0001	1	Fitting, .25" Barb x .125" MPT (Current Models)
4	01085.0000	1	Solenoid Valve, 120V - 1.48" Dia Coil
	01975.0000	1	Solenoid Valve, 240V - 1.48" Dia Coil
	21180.0000	1	Solenoid Valve, 200V - 1.48" Dia Coil
5	01100.0000	1	Coil - 240V
	01101.0000	1	Coil - 120V
	21181.0000	1	Coil - 200V
6	01079.0000	1	Base
7	01111.0000	1	Repair Kit
8	01116.0000	1	Guide
9	01085.0002	1	Solenoid Valve, 120V - 1.0" Dia Coil
10	28480.0000	1	Coil - 120V
11	28479.0000	1	Solenoid Valve Base Kit - 1" Dia Coil (Includes O-ring)
12	01111.0002	1	Repair Kit - 1" Dia Coil (Includes Plunger, Spring and O-ring)
13	28481.0000	1	Guide Kit - 1" Dia Coil (Includes Washer & O-ring)
14	28005.0000	1	Solenoid Valve, 240V
15	28021.0000	1	Repair Kit
16	28020.0000	1	Coil - 240V
17	42025.0000	1	Kit, Universal Replacement Solenoid, 120V
	42025.0001	1	Kit, Universal Replacement Solenoid, 230V
	32283.0000	2	Screw, Sst Slt'd Pnh M4 X 6MM
	41935.0000	1	Kit, Solenoid Retrofit, 120V (Includes 17 - 22)
	41935.0001	1	Kit, Solenoid Retrofit, 230V (Includes 17 - 22)
	46884.0000	1	Strainer
18	20976.0006*	1	Tube, Silicone .38ID x .62OD x 4.50 (Order # 23)
19	41256.0000	1	Bracket
	02308.0000	2	Screw, #8-32 X .375" (Bracket - Bracket)
20	37297.0002	1	Fitting, 1/4" Flare X 3/4" Fthrd
21	12422.0001	2	Clamp, SNP - 10
22	26443.0001	1	Reducer, SST Hose Barb .38X.25

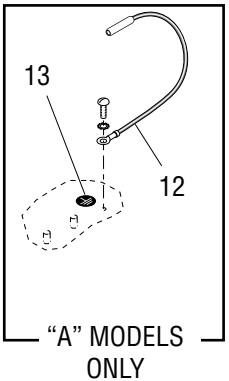
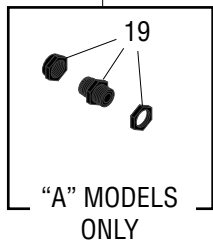
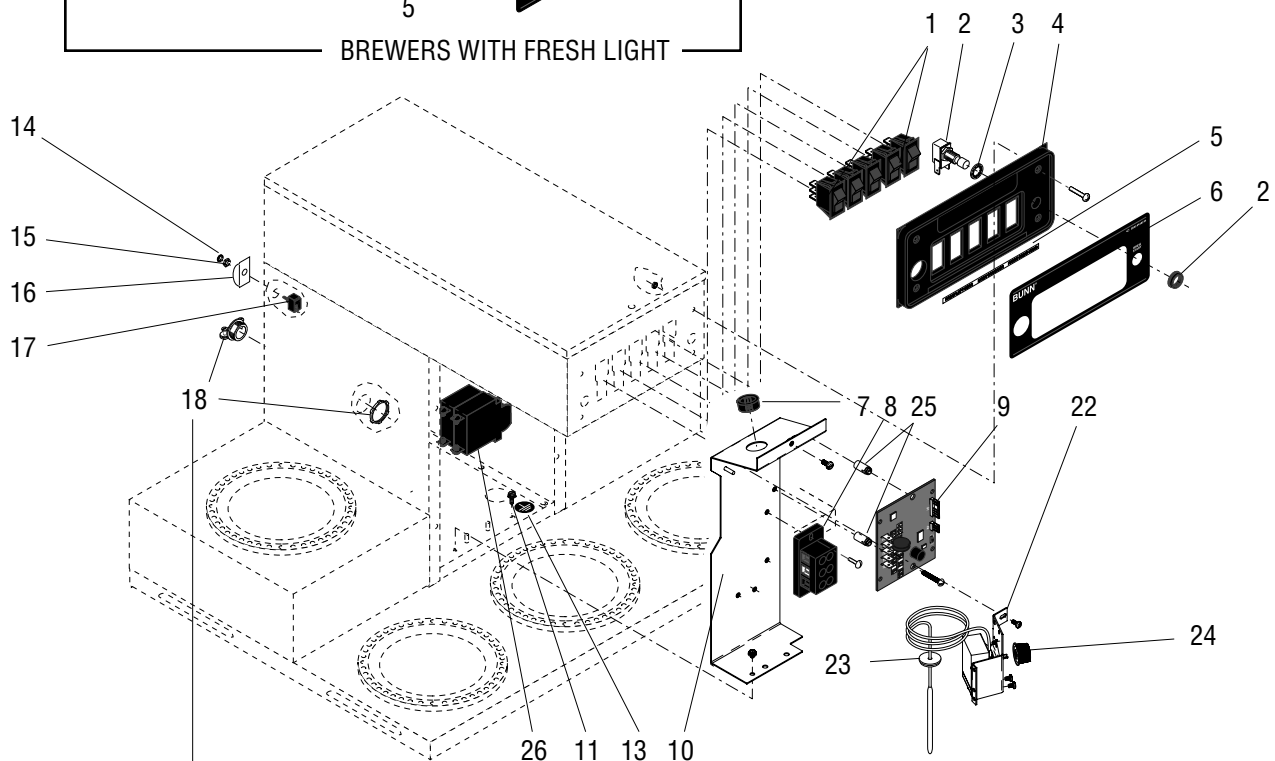
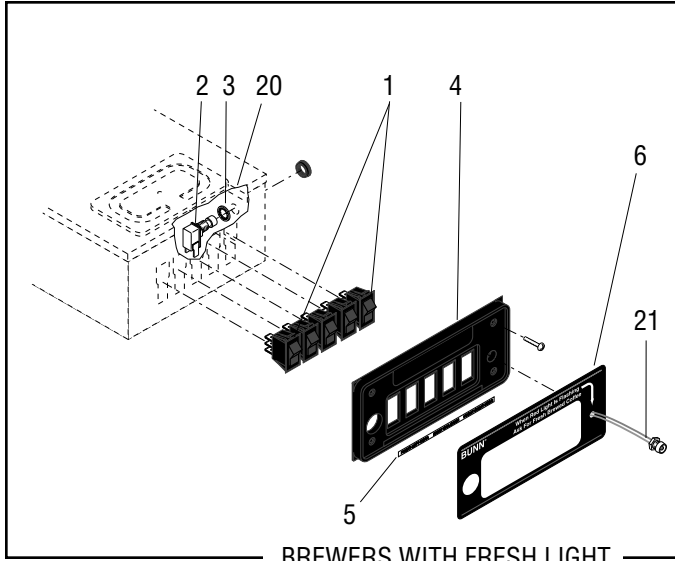
The Following Items Are Not Illustrated

23	20976.1000	-	Tube, .375" ID x 12" (Use as required)
	20976.1001	-	Tube, .375" ID x 36" (Use as required)
	20976.1002	-	Tube, .375" ID x 120" (Use as required)



FAUCET AND TUBING

ITEM	PART NO.	QTY.	DESCRIPTION
1	20691.0001	1	Tube Assembly, Coil to Faucet (Early Models)
	20691.0000	1	Tube Assembly, Coil to Faucet (Late Models)
2	13059.0000	1	Faucet Jam Nut
3	01532.0000	1	Lockwasher, Internal Tooth .438" I.D.
4	12915.0000	1	Faucet, Hot Water (Includes items 5 thru 14)
5	13061.0000	1	Faucet Handle/Stem Assembly (Includes items 6 thru 11)
6	13053.0000	1	Faucet Handle Kit (Includes item 7)
7	02858.0000	1	Pin, Spring .125" Dia x .50"
8	13060.0000	1	Faucet Bonnet Nut
9	13055.0000	1	Faucet Spring
10	13054.0000	1	Faucet Stem
11	13056.0000	1	Faucet Seat Cup
12	13057.0000	1	Faucet Safety Clip
13	13058.1000	1	Kit, Faucet Aerator
14	-----	1	Body, Faucet (Not serviced. Order item 4)

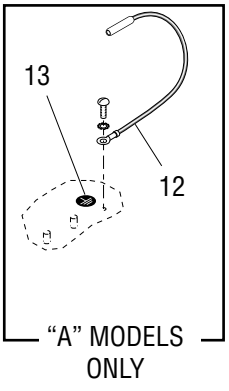
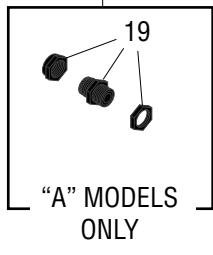
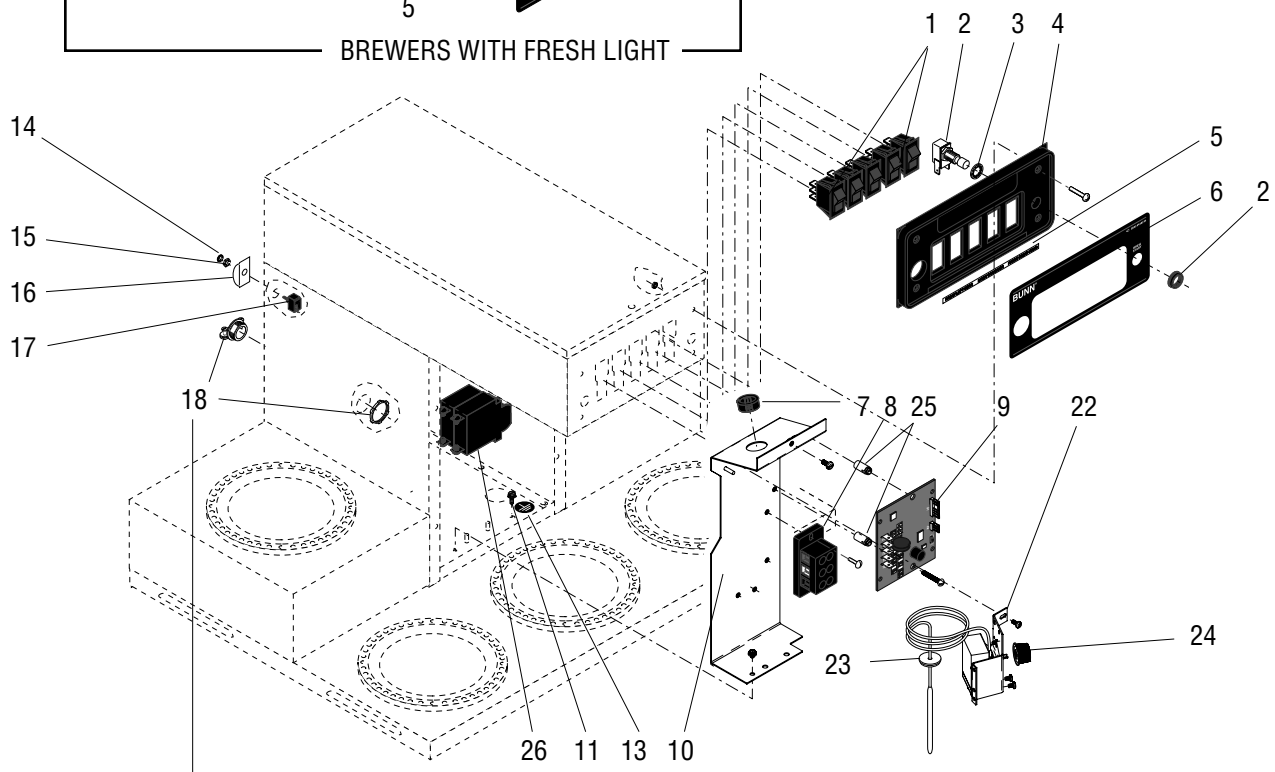
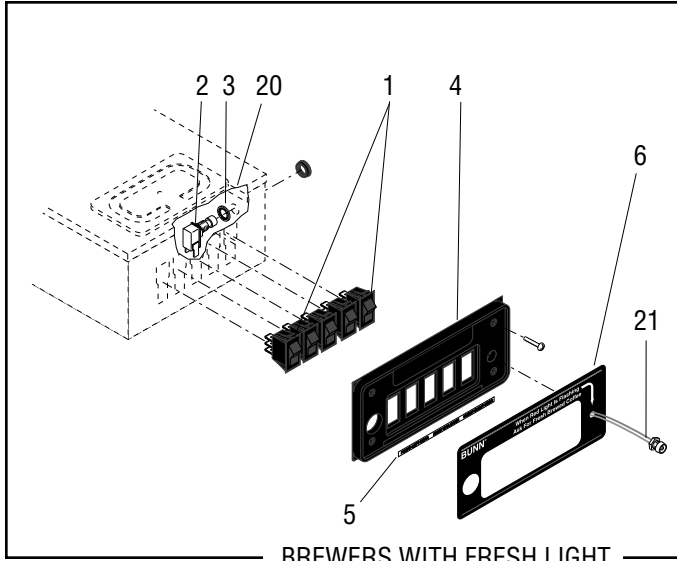


ELECTRICAL AND OPERATING CONTROLS

ITEM	PART NO.	QTY.	DESCRIPTION	
1	12920.0000	5	Switch ON/OFF 120V	
	12920.0002	5	Switch ON/OFF 240V	
2	12834.0000	1	Switch, Momentary Start (Includes mounting nuts)	
3	02688.0000	1	Lockwasher, Internal Tooth .469" I.D.	
4	13352.0008	1	Front End Cap	
	02301.0000	4	Screw, Phillip Pan Head #6-32 x .625"	
	00973.0000	4	Nut, Keps #6-32	
5	22295.0009	1	Label, Switch	
6	22288.0005	1	Decal, Control Panel (W/Faucet & Start Switch)	
	22289.0006	1	Decal, Control Panel (W/ Faucet & Fresh Light)	
7	00606.0000	1	Bushing, Snap .875" Dia	
8	07038.0000	1	Terminal Block, 3 Pole-Red/White/Black	
	01317.0000	2	Screw, Truss Head #8-32 x .50"	
9	32400.0000	-	Digital Timer Kit, 120V (Includes Adaptor Harness)	} Early Models
	32400.0001	-	Digital Timer Kit, 240V (Includes Adaptor Harness)	
	29445.0000	1	Adaptor Wiring Harness, Digital Timer	} Late Models
	32400.0002	1	Digital Timer Kit, 120V	
	32400.0003	1	Digital Timer Kit, 240V	
	02308.0000	1	Screw, Pan Head Serrated #8-32 x .375"	
10	12698.0005	1	Bracket Assembly, Component Mounting	
	01347.0000	1	Screw, Truss Head #6-32 x .375" (Early models)	
	02308.0000	1	Screw, Pan Head #8-32 x .375" (Late models)	
	02332.0001	1	Screw, Hex-Crimptite #6 x .250"	
11	02337.0001	1	Screw, Hex Head #10-32 x .375" (Cord Ground. Not used on "A" Models)	
12	21016.0060	1	Lead, Electrical Grn/Yel 15" Lg (Ground to white pole in terminal block)	} "A" Models Only
	01375.0000	1	Screw, Pan Head - Brass #10-32 x .50"	
	01512.0000	1	Lockwasher, External Tooth #10	
13	00824.0000	1	Decal, Ground	
14	23697.0000	1	Facenut, Plastic	
15	23696.0000	1	Nut, Hex	
16	25102.0000	1	Bracket, Switch Indicator/Guard	
17	23522.1000	1	Switch, ON/OFF Toggle (Includes item 16)	
18	01685.0000	1	Connector, Cable .50 MPT (20 & 35 Amp Brewers except "A" Models)	
19	05746.0000	1	Bushing, Strain Relief ("A" Models Only)	
20	13038.0001	1	Label, Switch "BREW START"	
21	12517.0003	1	Lamp Assembly, LED W/Leads - Red (Brewers W/Fresh Light)	
	25292.0000	1	Lockwasher M6	
	34130.0000	1	Nut M6	

(Continued)

(Continued)

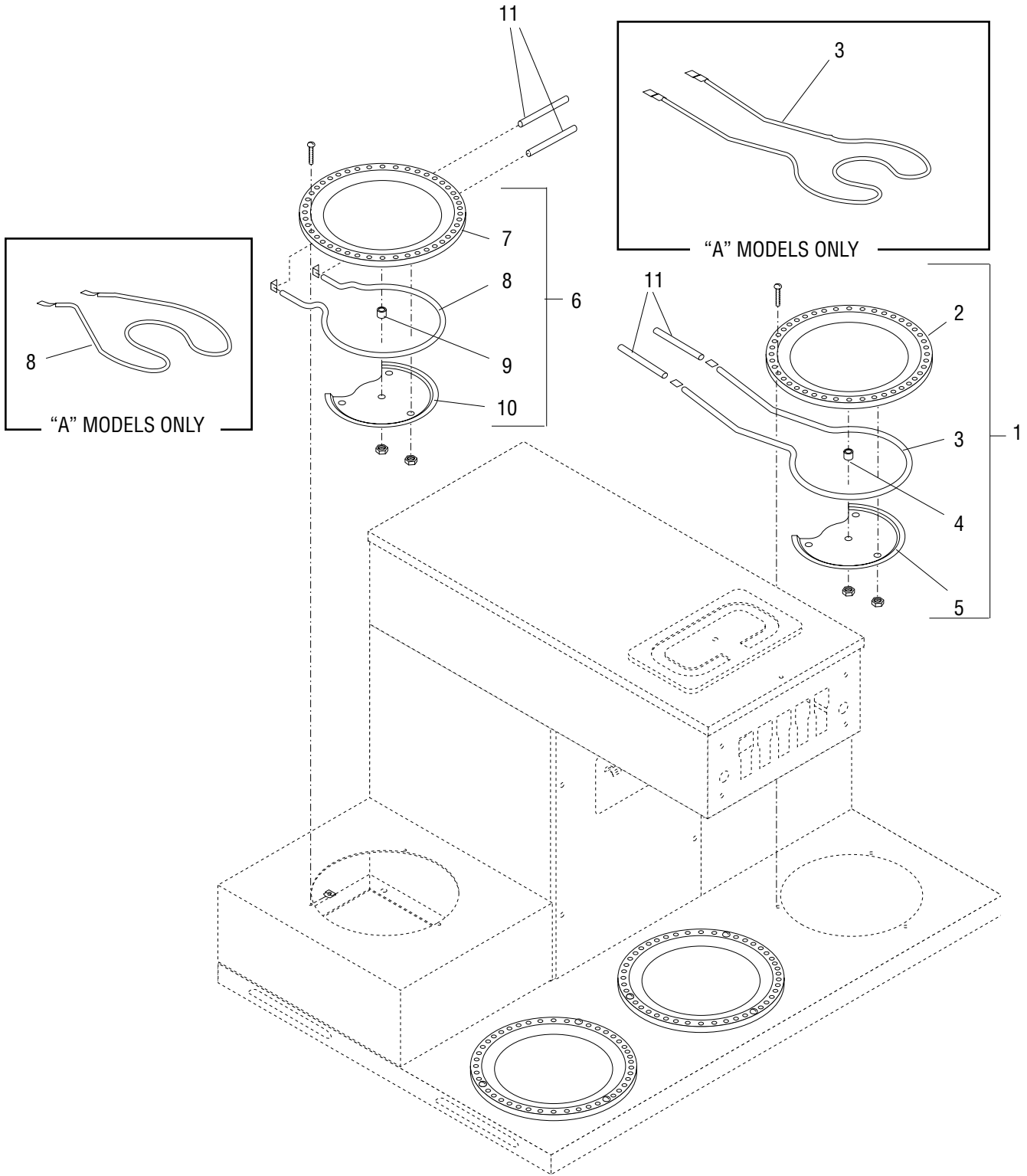


ELECTRICAL AND OPERATING CONTROLS

ITEM	PART NO.	QTY.	DESCRIPTION
22	04314.0001	1	Thermostat Kit (Thermostats W/Out Leads. Includes Knob) (Late Models)
	28319.0000	1	Thermostat Kit (Thermostats W/Leads. Includes Knob) (Early Models)
	02308.0000	1	Screw, Pan Head - Serrated #8-32 x .38" (Mounting)
	20762.0000	2	Screw, Binding Head #8-32 x .25" (Terminal)
23	07073.1000	1	Grommet, Thermostat
24	00720.0000	1	Knob, Thermostat
25	32530.0001	2	Spacer, Nylon .50"
26	38894.0001	1	Switch, On/Off
	01308.0002	2	Screw, TRH #6-32 x .25"

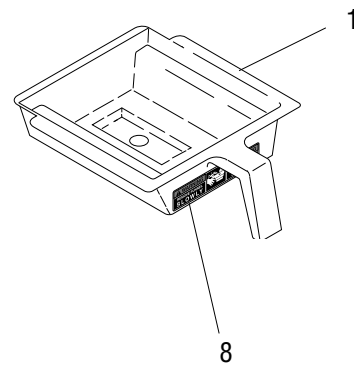
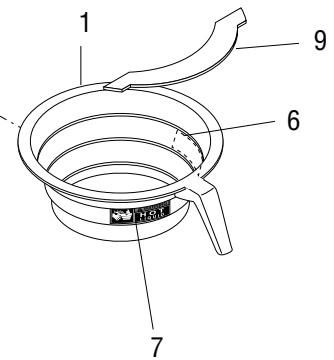
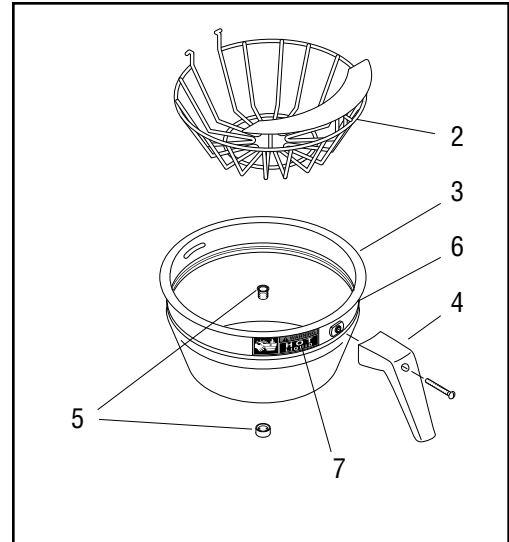
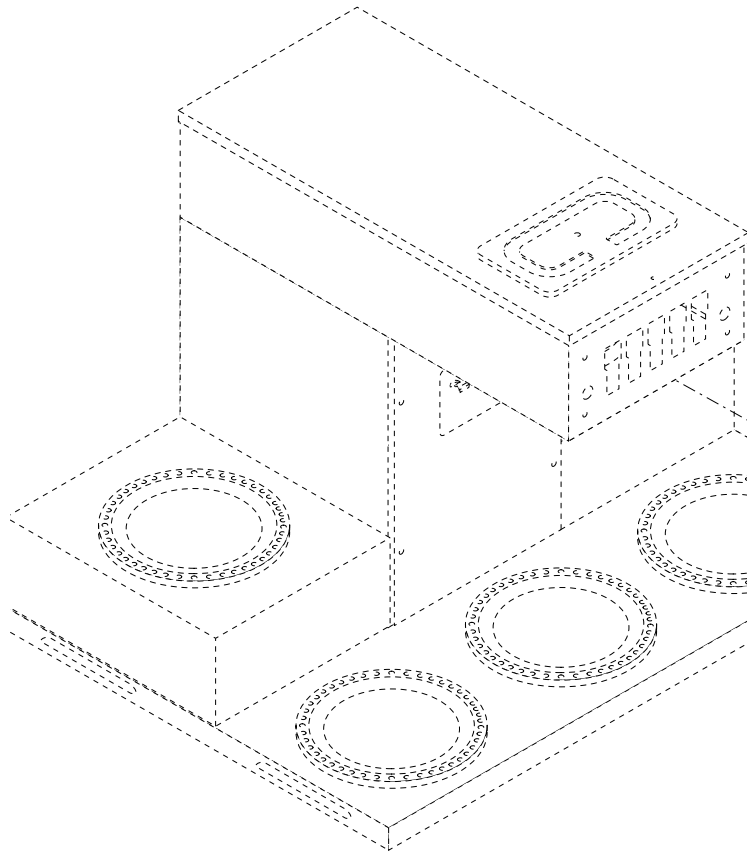
The following items are not illustrated

30	35720.0000	1	Wiring Harness, Main 120V	} Late Models W/Digital timer
	34104.0000	1	Wiring Harness, Main 120V/240V	
32	13239.0001	1	Lead Assembly, LED Lamp (18" Long)	
	01570.0000	2	Wire Nut, 2-24AWG - Yellow	
33	25347.0000	1	Wiring Harness, Thermostat	



WARMER ASSEMBLIES

ITEM	PART NO.	QTY.	DESCRIPTION
1	11440.0005	3	Warmer Assy, Base 100W 120V (Includes items 2 thru 5)
	11440.0008	3	Warmer Assy, Base 100W 220V (Includes items 2, 3 & 5) ("A" & "B" Models)
	01303.0000	9	Screw, Pan Head #4-40 x .50"
	00916.0000	9	Fastener, J-Type #4-40 (Late Models)
2	03656.0000	1	Warmer Dish, Blk - 45 Hole
3	11442.0000	1	Warmer Element, 100W 120V
	11438.0000	1	Warmer Element, 100W 220V ("A" & "B" Models)
4	13042.0001	1	Spacer, .174" I.D. x .188" (Not used on "A" & "B" Models)
5	05212.0000	1	Plate, Warmer
	00970.0000	2	Nut, Keps #8-32
6	03652.0000	2	Warmer Assy, Side 100W 120V (Includes items 7 thru 10)
	11440.0009	2	Warmer Assy, Side 100W 220V (Includes items 7, 8 & 10) ("A" & "B" Models)
	01303.0000	6	Screw, Pan Head #4-40 x .50"
	00916.0000	6	Fastener, J-Type #4-40
7	03656.0000	1	Warmer Dish, Blk - 45 Hole
8	01227.0000	1	Warmer Element, 100W 120V
	01951.0000	1	Warmer Element, 100W 220V ("A" & "B" Models)
9	13042.0001	1	Spacer, .174" I.D. x .188 (Not used on "A" & "B" Models)
10	05212.0000	1	Plate, Warmer
	00970.0000	2	Nut, Keps #8-32
11	-----	10	Tube, Silicone - .25" I.D. x 1.88" Lg (Order item 12)
12	04828.1001	-	Tube, Silicone - .25" I.D. x 24" Lg
13	21016.0011	5	Lead, Electrical, 16AWG GRN/YEL 15" Lg ("A" Models Only)(Not Illustrated)



FUNNELS AND FILTER BASKET

ITEM	PART NO.	QTY.	DESCRIPTION
1	20583.0003	1	Funnel W/Decal, Plastic (Black 7.125' Dia)(Includes items 6 & 7)
	20583.0006	1	Funnel W/Decal, Plastic (Orange 7.125" Dia)(Includes ityems 6 & &)
	20216.0000	1	Funnel, SST W/Black Handle (7.125" Dia)(Includes items 2 thru 5)
	20216.0001	1	Funnel, SST W/Orange Handle (7.125" Dia)(Includes items 2 thru 5)
	04274.0012	1	Funnel W/Decal, Pouch-Pack Black (Large)(7.125")(Includes item 8)
2	33088.0000	1	Filter Basket (7.125" Dia)
3	28553.0000	1	Funnel, SST (7.125" Dia)
4	20244.1000	1	Handle Kit, Black (Includes Screw)
	20244.1001	1	Handle Kit, Orange (Includes Screw)
	01331.0002	1	Screw, Round Head #10-32 x 1.50"
5	01031.0000	1	Funnel Tip Kit
6	03408.0002	1	Decal, Warning - Remove Funnel
7	03409.0002	1	Decal, Warning - Hot Liquid
8	28694.0000	1	Decal, Warning - Hot Liquid/Remove Funnel
9	32964.0000	1	Splash Guard

NUMERICAL INDEX

PART NO.	PAGE NO.	PART NO.	PAGE NO.	PART NO.	PAGE NO.	PART NO.	PAGE NO.
00310.0000.....	15,17	01382.0000.....	5	11440.0008.....	29	20786.1000.....	19
00400.0001.....	13	01502.0000.....	21	11440.0009.....	29	20941.1000.....	11,13
00402.0001.....	21	01512.0000.....	25	11442.0000.....	29	20976.0006.....	21
00459.0000.....	17,19	01532.0000.....	15,17	12070.0001.....	7	20976.1000.....	21
00459.0001.....	15	01532.0000.....	19,23	12071.0001.....	7	20976.1001.....	21
00463.0000.....	15,17	01570.0000.....	27	12072.0001.....	7	20976.1002.....	21
00463.0000.....	19	01592.0000.....	5	12364.0000.....	5	21016.0011.....	29
00484.0001.....	19	01593.0000.....	5	12422.0001.....	21	21016.0060.....	25
00502.0000.....	7	01685.0000.....	25	12517.0003.....	25	21180.0000.....	21
00511.0000.....	7	01925.1000.....	11,13	12687.0000.....	13	21181.0000.....	21
00606.0000.....	25	01927.0000.....	11,13	12688.0000.....	13	21812.0006.....	19
00656.0001.....	7	01951.0000.....	29	12689.1000.....	13	21812.0010.....	17
00658.0000.....	5	01975.0000.....	21	12698.0005.....	25	21814.0016.....	15
00670.0000.....	7,17	02301.0000.....	25	12832.0001.....	5	22249.0000.....	17
00671.0000.....	5	02308.0000.....	5,21	12834.0000.....	25	22288.0005.....	25
00720.0000.....	27	02308.0000.....	25,27	12914.0002.....	9	22289.0006.....	25
00824.0000.....	25	02332.0001.....	25	12915.0000.....	23	22295.0009.....	25
00831.0000.....	7	02332.0002.....	5	12920.0000.....	25	22300.0175.....	17
00833.0000.....	5	02337.0001.....	25	12920.0002.....	25	22300.0222.....	17
00908.0000.....	11,13	02688.0000.....	25	12928.0000.....	9	22306.0000.....	5
00912.0000.....	5,11,13	02722.0000.....	5	12953.1001.....	5	22397.0001.....	21
00916.0000.....	5,29	02858.0000.....	23	13038.0001.....	25	22568.0000.....	5
00942.0000.....	11,13	02999.0000.....	7	13042.0001.....	29	23522.1000.....	25
00943.0000.....	11,13	03011.0000.....	7	13053.0000.....	23	23696.0000.....	25
00970.0000.....	29	03263.0002.....	5	13054.0000.....	23	23697.0000.....	25
00973.0000.....	25	03359.0000.....	7	13055.0000.....	23	23721.0000.....	17
00988.0000.....	5	03359.0001.....	7	13056.0000.....	23	23768.0000.....	11,13
01031.0000.....	31	03408.0002.....	31	13057.0000.....	23	23769.0000.....	11
01075.0000.....	11	03409.0002.....	31	13058.1000.....	23	24356.0175.....	17
01079.0000.....	21	03652.0000.....	29	13059.0000.....	23	24356.0222.....	17
01082.0000.....	11,13	03656.0000.....	29	13060.0000.....	23	24394.0175.....	17
01082.0004.....	11,13	03993.0000.....	7	13061.0000.....	23	24394.0222.....	17
01082.0007.....	11,13	03996.0000.....	7	13239.0001.....	27	25102.0000.....	25
01085.0000.....	21	04118.0000.....	11,13	13255.0001.....	7	25137.0000.....	5
01085.0002.....	21	04119.0000.....	11,13	13255.0005.....	7	25144.0002.....	5
01100.0000.....	21	04133.0000.....	11,13	13350.0006.....	5	25144.0006.....	5
01101.0000.....	21	04221.0000.....	11,13	13352.0008.....	25	25158.0002.....	11
01111.0000.....	21	04260.0000.....	11,13	20211.0100.....	13	25158.0003.....	13
01111.0002.....	21	04270.0002.....	9	20216.0000.....	31	25292.0000.....	25
01116.0000.....	21	04274.0012.....	31	20216.0001.....	31	25319.1001.....	11
01148.0001.....	19	04314.0001.....	27	20244.1000.....	31	25319.1002.....	11
01154.0000.....	17	04636.1000.....	11,13	20244.1001.....	31	25320.1001.....	13
01155.0000.....	17	04637.1000.....	11,13	20526.0222.....	19	25320.1002.....	13
01201.0000.....	9	04828.1001.....	29	20526.1175.....	17	25347.0000.....	27
01212.0000.....	9	05212.0000.....	29	20526.1222.....	17	25352.0001.....	5
01227.0000.....	29	05515.0000.....	11,13	20577.0001.....	15,17	25658.0000.....	5
01303.0000.....	5,29	05518.0000.....	11,13	20583.0003.....	31	25755.0000.....	5
01308.0002.....	27	05746.0000.....	25	20583.0006.....	31	25755.0002.....	5
01315.0000.....	11,13	07038.0000.....	25	20690.0000.....	15,17,19	26216.0000.....	17
01317.0000.....	25	07073.1000.....	27	20691.0000.....	23	26217.0000.....	17
01319.0000.....	5	07441.0000.....	21	20691.0001.....	23	26225.0000.....	7
01321.0000.....	7	10476.0000.....	5	20762.0000.....	27	26443.0001.....	21
01327.0000.....	21	11431.0002.....	11,13	20782.0000.....	19	26583.0000.....	5
01331.0002.....	31	11435.0000.....	5	20783.0000.....	19	27514.0000.....	9
01347.0000.....	25	11438.0000.....	29	20784.0000.....	19	28005.0000.....	21
01375.0000.....	25	11440.0005.....	29	20785.0000.....	19	28020.0000.....	21

NUMERICAL INDEX

PART NO.	PAGE NO.	PART NO.	PAGE NO.	PART NO.	PAGE NO.	PART NO.	PAGE NO.
28021.0000.....	21						
28319.0000.....	27						
28479.0000.....	21						
28480.0000.....	21						
28481.0000.....	21						
28553.0000.....	31						
28694.0000.....	31						
29329.1000.....	11,13						
29445.0000.....	25						
32283.0000.....	21						
32400.0000.....	25						
32400.0001.....	25						
32400.0002.....	25						
32400.0003.....	25						
32530.0001.....	27						
32540.0000.....	7						
32964.0000.....	31						
33088.0000.....	31						
34061.1035.....	5						
34104.0000.....	27						
34130.0000.....	25						
35712.0000.....	5						
35720.0000.....	27						
37297.0002.....	21						
37881.0000.....	5						
37930.0001.....	7						
38498.1000.....	7						
38894.0001.....	27						
41252.0000.....	15						
41254.0000.....	15						
41256.0000.....	21						
41257.0000.....	15						
41935.0000.....	21						
41935.0001.....	21						
42025.0000.....	21						
46884.0000.....	21						