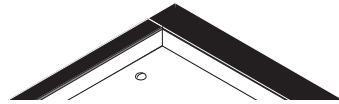


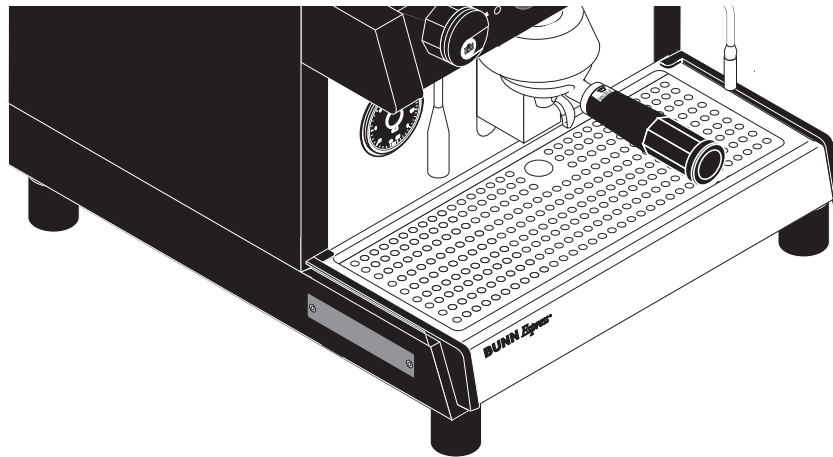
# BUNN Espresso<sup>®</sup>

ES-1A

Product #23450.0201



**DISCONTINUED VERSION**  
**Parts listed in this catalog**  
**may no longer be available.**



## ILLUSTRATED PARTS CATALOG

Designs, materials, weights, specifications, and dimensions for equipment or replacement parts are subject to change without notice.

**BUNN-O-MATIC CORPORATION**

POST OFFICE BOX 3227

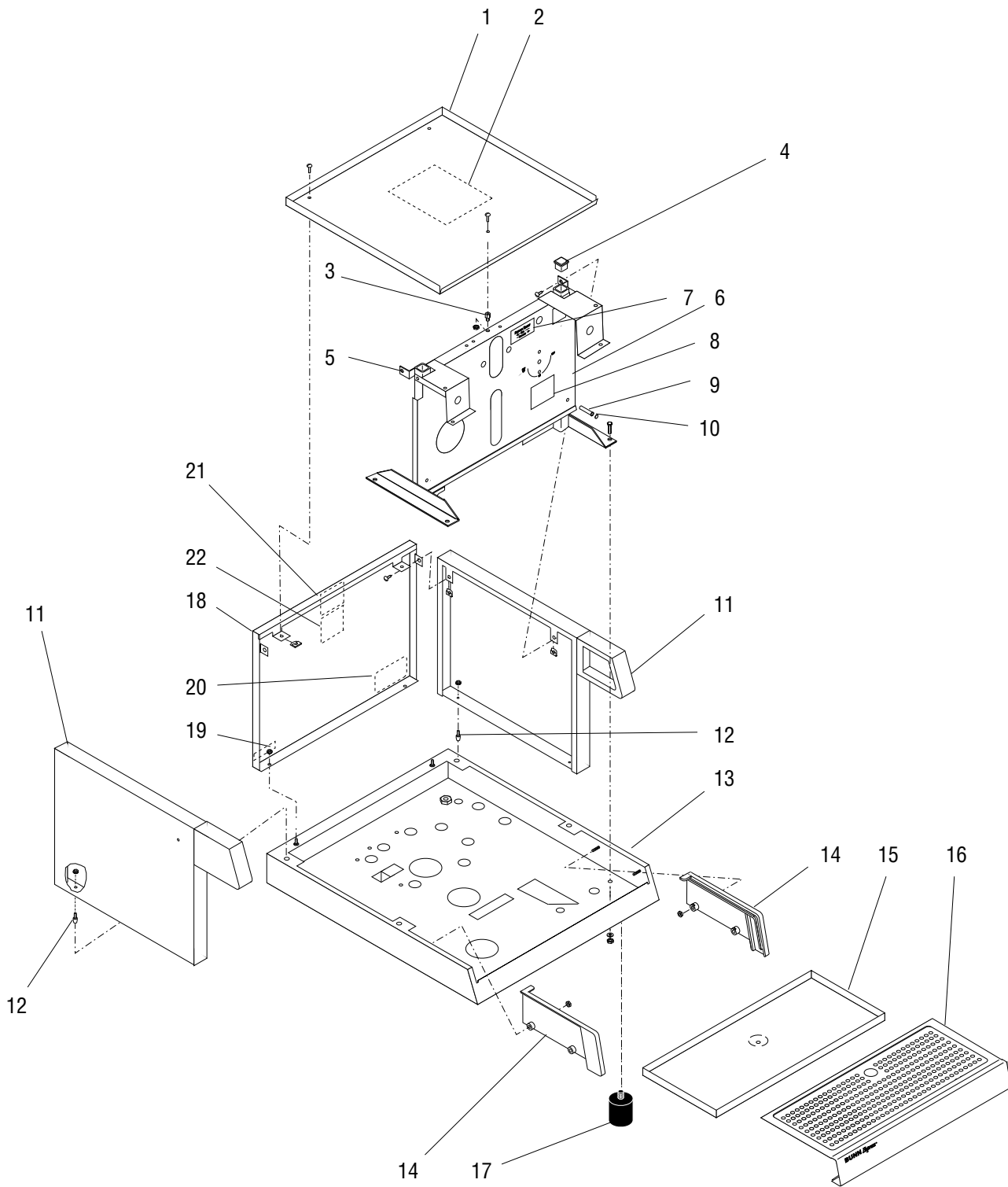
SPRINGFIELD, ILLINOIS 62708-3227

PHONE: (217) 529-6601 FAX: (217) 529-6644



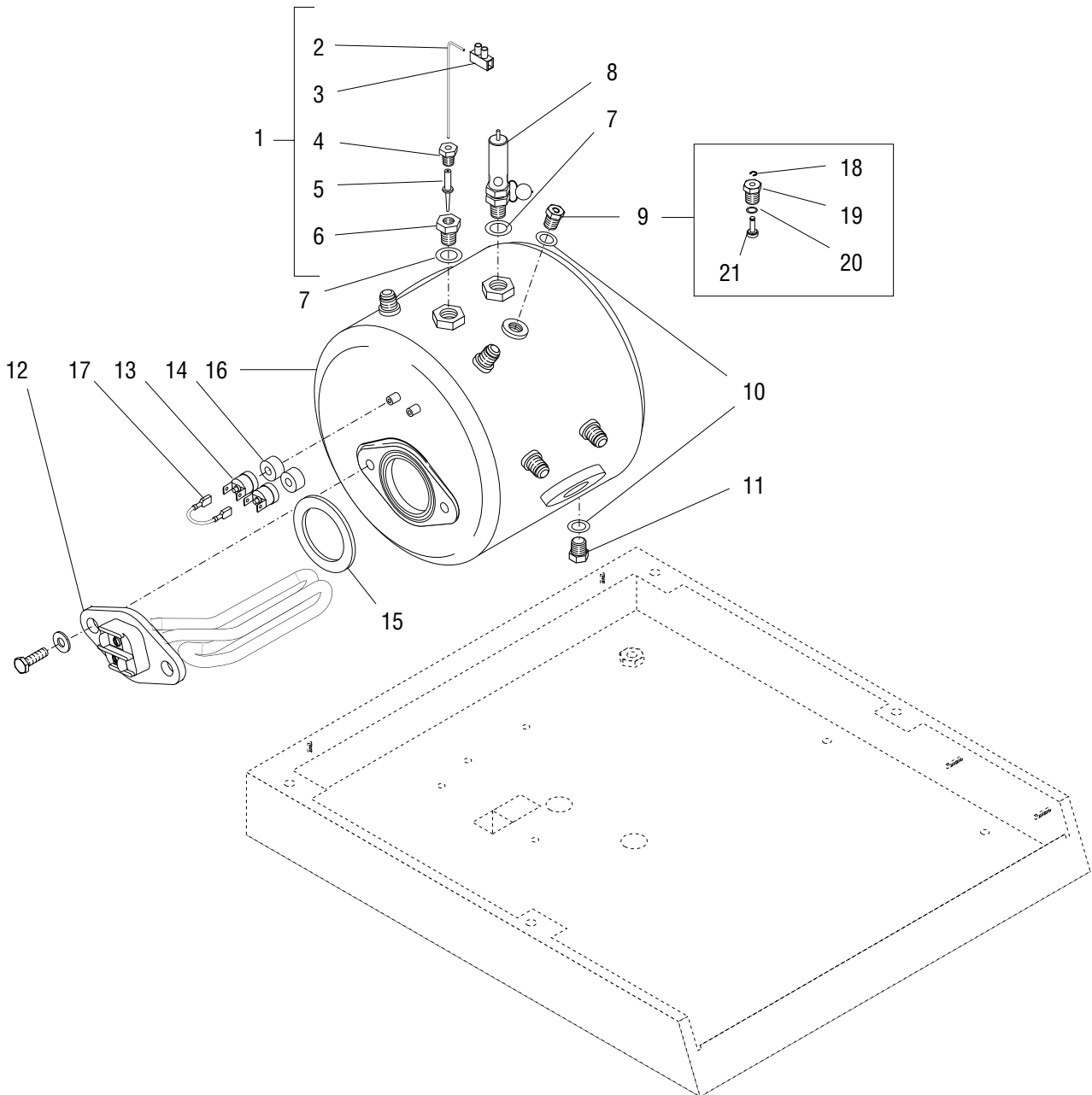
TABLE OF CONTENTS

Electrical and Operating Controls ..... 16  
Filter Holder Assembly ..... 20  
Group Head and Piping ..... 14  
Numerical Index ..... 22  
Panels, Base and Legs ..... 2  
Pressure Guage and Piping ..... 10  
Pump and Piping ..... 6  
Refill Solenoid and Piping ..... 8  
Steam, Hot Water Valves and Piping ..... 12  
Tank and Components ..... 4



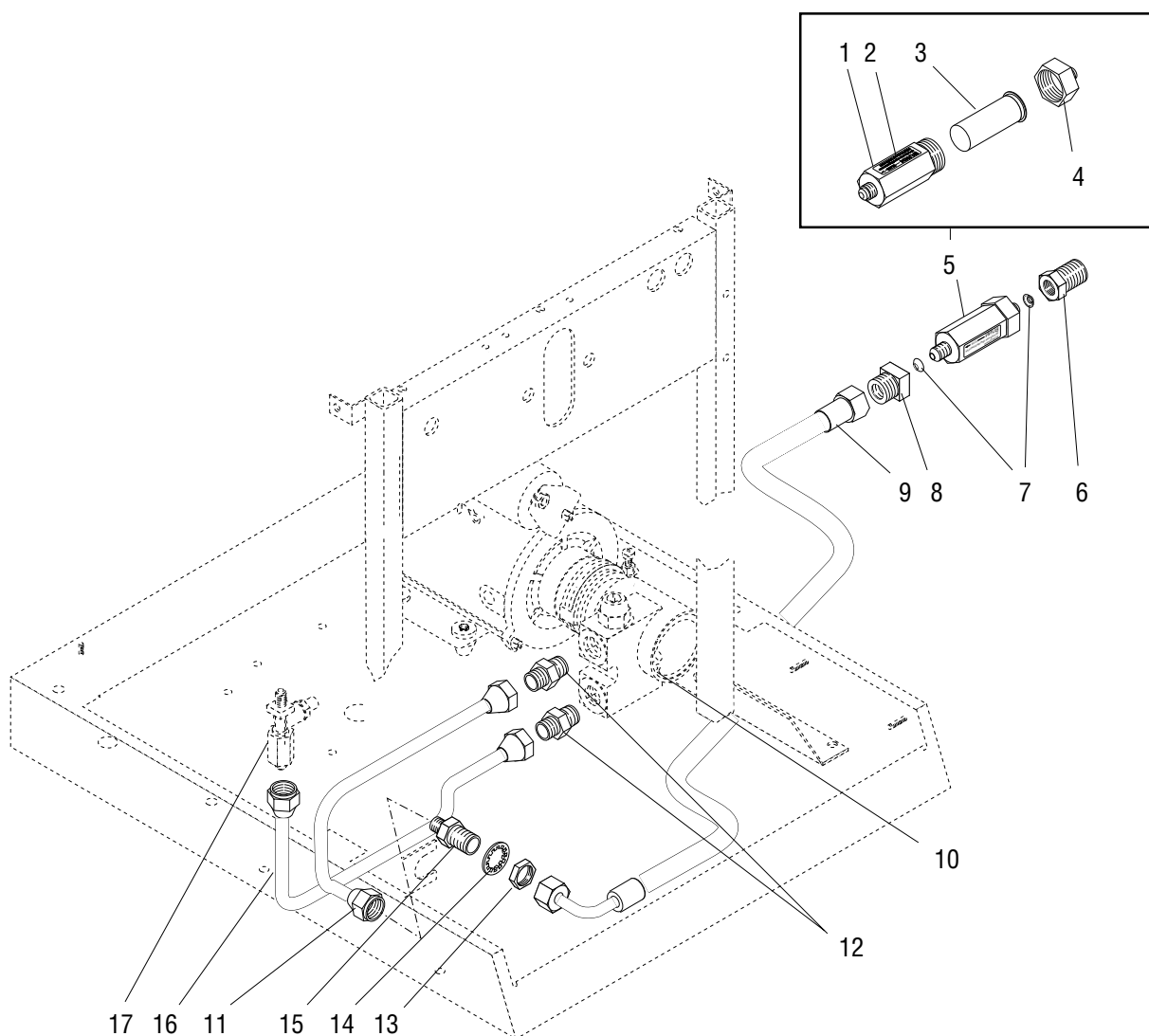
## PANELS, BASE AND LEGS

ITEM	PART NO.	QTY.	DESCRIPTION
1	27012.0000	1	Panel, Top Cup Warmer (Includes item 2)
	24005.0200	1	Screw, Pan Head M4 x .7 x 6mm
	01387.0000	2	Screw, Truss Head #8-32 x .625"
	23638.0000	2	Fastener, U-Type
2	23482.0000	1	Decal, Electrical Schematic
3	24842.0000	1	Spacer, Top Panel
	24047.0400	1	Nut, Hex Keps M6
4	26196.0001	4	Plug, Square-BLK Plastic
5	26999.0000	1	Chassis (Includes items 4)
	24007.0000	4	Screw, Hex Head M6 x 1 x 10mm
	24027.0000	4	Washer, M6
	24047.0400	4	Nut, Hex Keps M6
6	27011.0000	1	Panel, Front (Includes items 7 thru 10)
7	22723.0000	1	Decal, Run-Program
8	24246.0000	1	Decal, Caution- Hot Liquid-Steam Surfaces
9	26997.0000	2	Rivet, Front Panel
10	26996.0000	2	Plug, Rivet
11	27005.0000	1	Panel, Side-Left
	27002.0000	1	Panel, Side-Right
	01387.0000	2	Screw, Slotted Truss Head #8 x .625"
	23638.0000	2	Fastener, U-Type
12	23648.0000	4	Pin, Side Panel Locating
	24043.0400	4	Nut, Hex Keps M3
13	27001.0000	1	Base
14	23654.0000	1	Guide, Drip Tray-Left
	23653.0000	1	Guide, Drip Tray-Right
	24045.0101	4	Nut, Hex M4
15	26995.0000	1	Drip Tray
16	23657.0000	1	Grate, Drip Tray
17	23633.0000	4	Foot, Rubber
18	27008.0000	1	Panel, Rear (Includes items 19 thru 22)
	01387.0000	2	Screw, Truss Head Slotted #8-32 x .625"
	23638.0000	2	Fastener, U-Type
	24045.0400	2	Nut, Hex Keps M4
19	24247.0000	1	Decal, Notice-Operating Pressure
20	00656.0000	1	Decal, Comply To Plumbing Code
21	12652.0000	1	Decal, Electrical Warning
22	00986.0002	1	Decal, Electrical Warning



## TANK AND COMPONENTS

ITEM	PART NO.	QTY.	DESCRIPTION
1	23605.0001	1	Probe Assembly (Includes items 2 thru 6. Also order item 7)
2	23607.0000	1	Probe, Liquid Level
3	22814.0000	1	Terminal Block
4	23629.0000	1	Nut, Level Probe Compression
5	23608.0000	1	Grommet, Liquid Level Probe
6	23606.0001	1	Nut, Level Probe Mounting - Plated
7	22867.0000	2	Washer, Sealing
8	25008.0000	1	Valve, Pressure Relief (Also order item 7)
9	23603.0000	1	Valve, Compensation Assembly (Includes items 18 thru 21) (Also order item 10)
10	24030.0001	2	Washer, Sealing
11	23601.0001	1	Plug, Tank Drain - Plated (Also order item 10)
12	24274.1000	1	Heater, Tank 120V 1785W (Includes item 15)
	23934.0000	2	Screw, Hex Head .375"-16 x 1"
	24029.0000	2	Washer, Flat M10
13	25035.0000	2	Thermostat, Limit
14	25186.0000	2	Spacer, Limit Thermostat - Brass
15	23600.0001	1	Gasket, Tank Heater
16	23647.0001	1	Tank, Plated
17	23769.0000	1	Lead, Limit Thermostat 14AWG BLK 4"LG
18	26209.0000	1	E-Ring, Valve Stem
19	-----	1	Housing (Not Available. Order item 9)
20	23586.0000	1	O-Ring, Valve Stem
21	-----	1	Stem, Valve (Not Available. Order item 9)

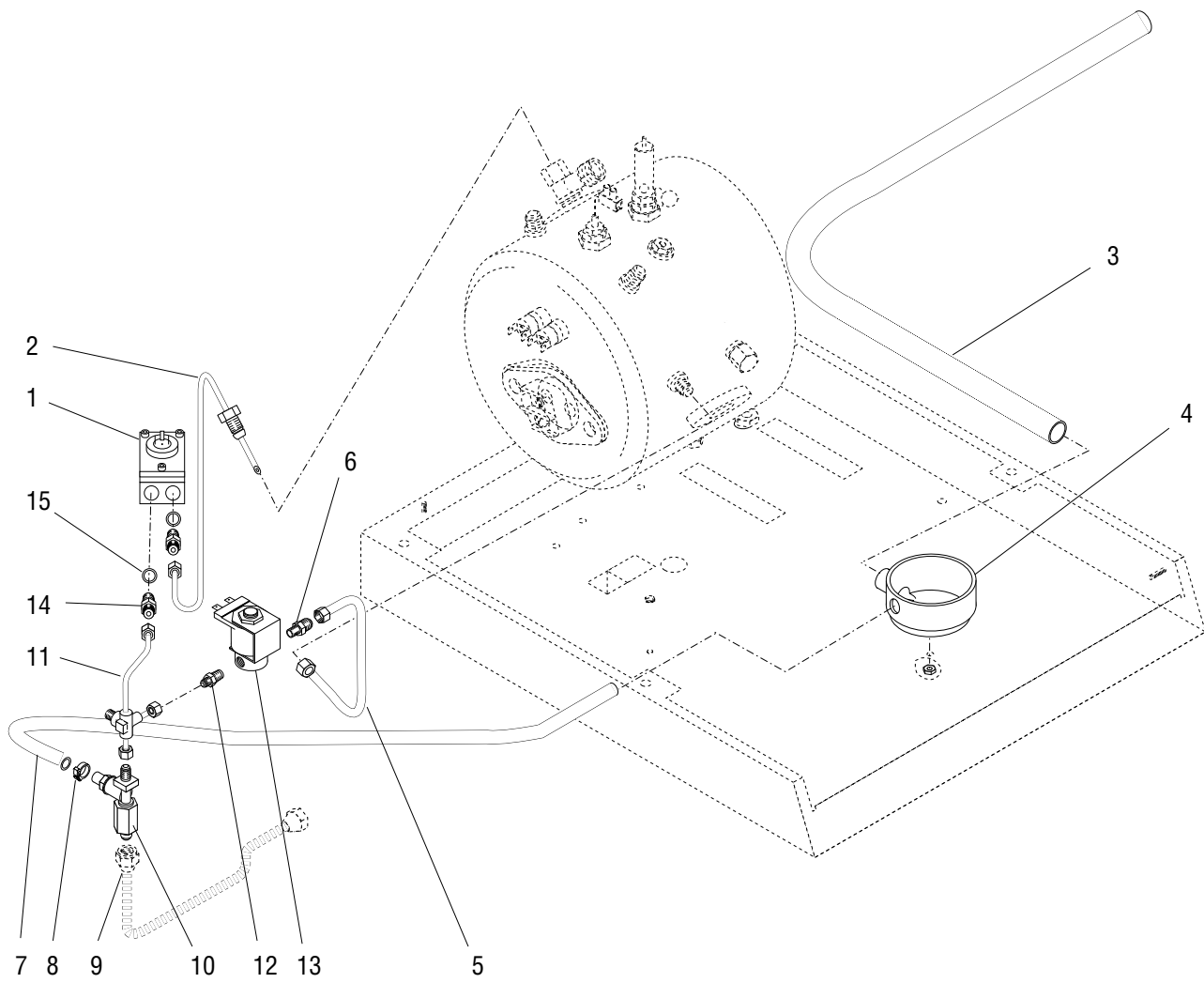




## PUMP AND PIPING

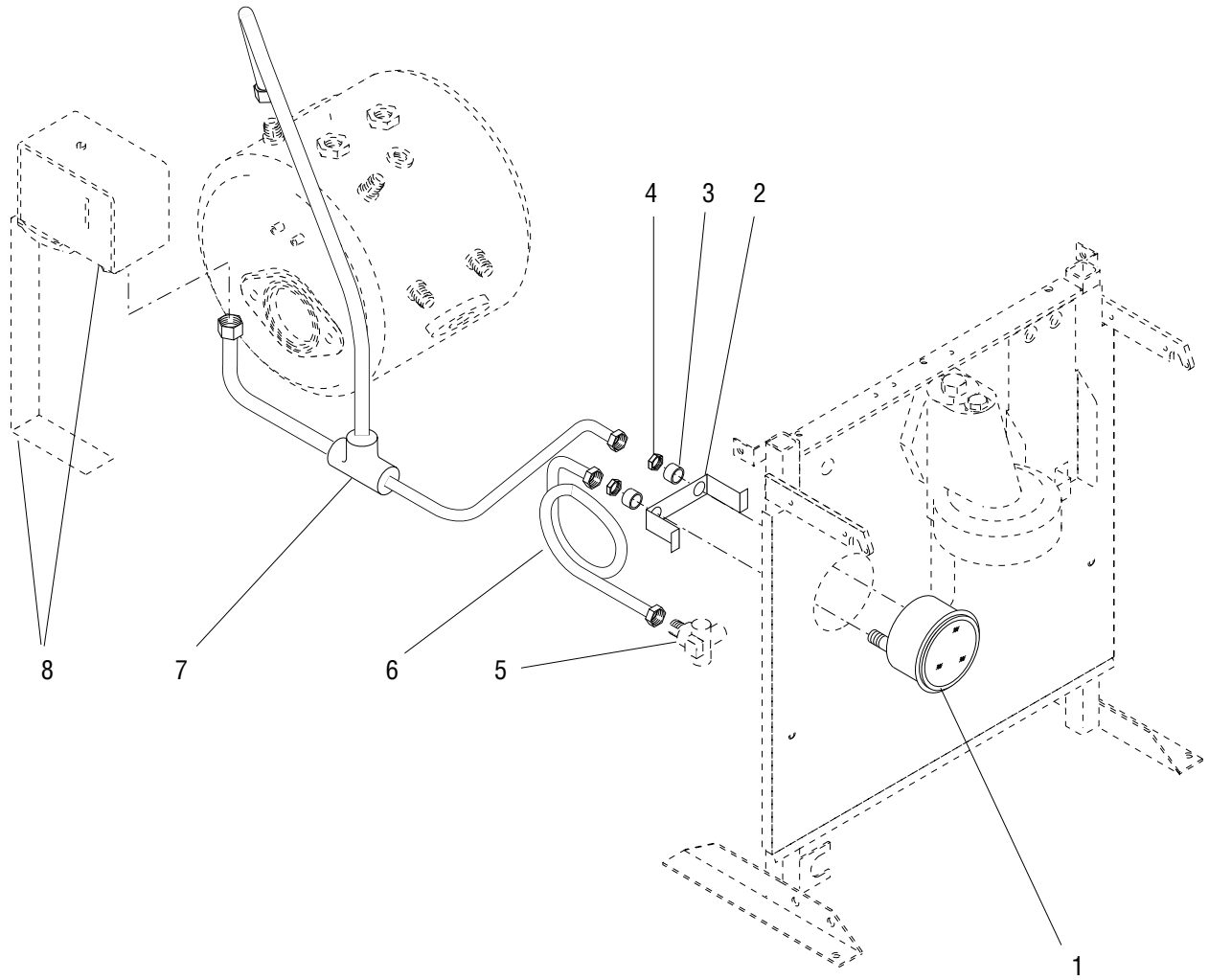
ITEM	PART NO.	QTY.	DESCRIPTION
1	-----	1	Housing, Water Strainer (Not Available. Order item 5)
2	22267.0002	1	Decal, Strainer
3	23721.0000	1	Screen
4	22249.0000	1	Cap, Water Strainer -End
5	23820.1000	1	Water Strainer Assembly (Includes items 1 thru 4)
6	24682.0000	1	Adapter, .25" Female Flare x .375 NPT
7	24684.0000	2	Sealing Washer
8	24683.0000	1	Adapter, .25" Female Flare x .375 BSPP
9	24386.0000	1	Hose Kit, Water Inlet
10	-----	1	Motor And Pump Assembly (See Electrical and Operating Controls)
11	23623.0000	1	Tube Assembly Pump Inlet
12	23540.0001	2	Fitting, Pump - Plated .250 BSPP x .375 BSPP
13	23933.0000	1	Nut, Jam .375 BSPP - Brass
14	01514.0000	1	Lockwasher, Internal Tooth .625" I.D.
15	23610.0001	1	Fitting, Bulkhead Inlet - Plated
16	23622.0000	1	Tube Assembly, Pump Outlet
17	-----	1	Check Valve Assembly (See Refill Solenoid and Piping)
18	24744.0000	1	Strainer Kit (Includes items 5 thru 8)

See item 18



## REFILL SOLENOID AND PIPING

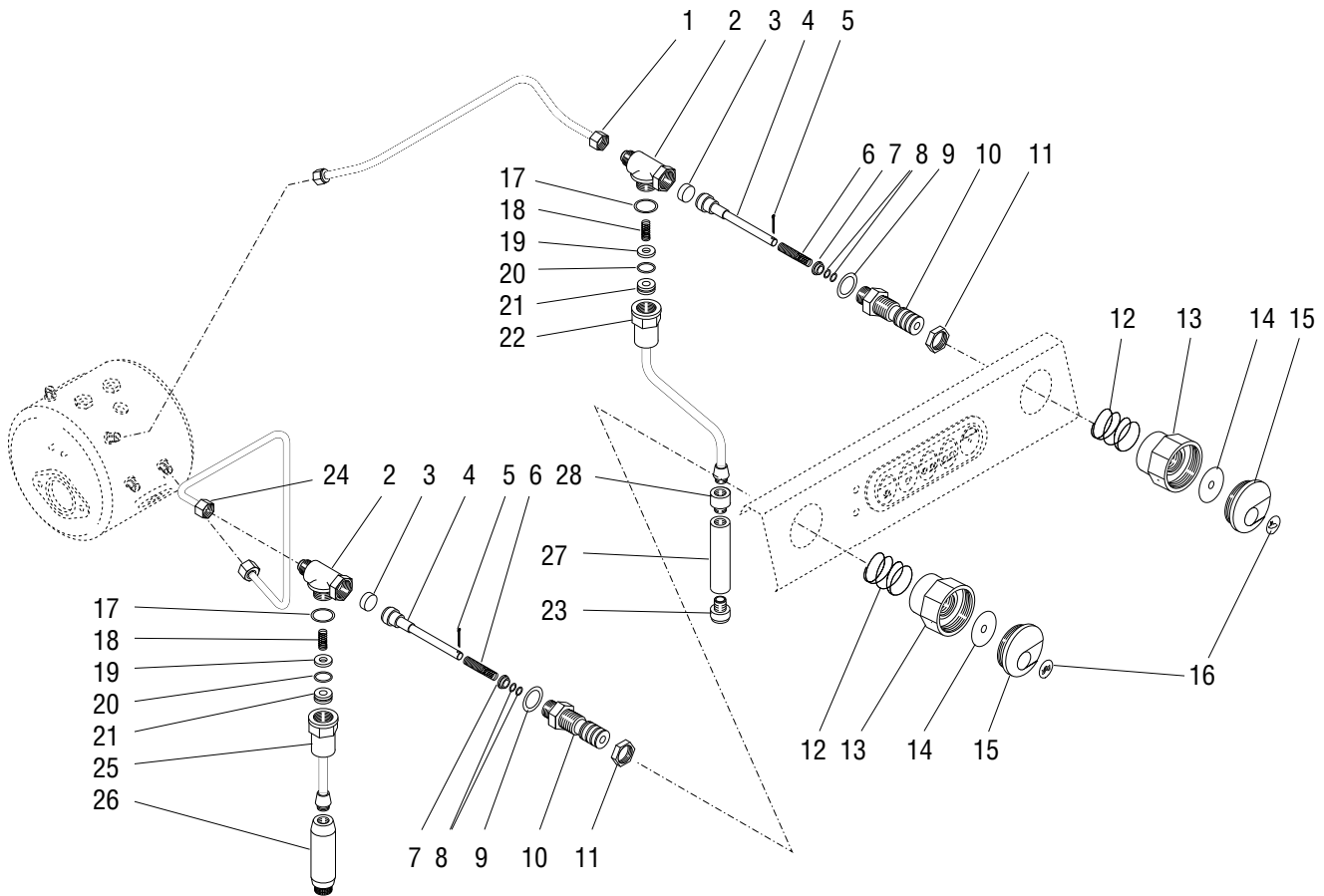
ITEM	PART NO.	QTY.	DESCRIPTION
1	24641.0000	1	Flow Meter, Volumetric (Also order item 15)
2	23614.0000	1	Tube Assembly, Flow Meter to Tank
3	22603.0000	1	Hose, Drain - Plastic
4	22832.0000	1	Cup, Drain
	24045.0101	1	Nut, Hex M4 - Plated
5	23615.0000	1	Tube Assembly, Refill Solenoid To Tank
6	23569.0001	1	Fitting, Refill Solenoid Outlet
7	-----	1	Tube, Silicone .312" I.D. x .438" O.D. x 14" (Order item 16)
8	12445.0000	1	Clamp, Hose .312" to .875" I.D.
9	-----	1	Tube And Fitting (See Pump and Piping)
10	23563.0001	1	Check Valve Assembly, Water Inlet
11	23620.0000	1	Tube Assembly, Check Valve - Refill Solenoid - Flow Meter
12	23567.0001	1	Fitting, Refill Solenoid Inlet
13	01085.0000	1	Valve, Solenoid 120V
14	23624.0001	2	Fitting, Flow Meter (Also order item 15)
15	22868.0000	2	Washer, Sealing
16	03236.1001	-	Tube, Silicone .312" I.D. x .438" O.D. x 36" LG
	03236.1002	-	Tube, Silicone .312" I.D. x .438" O.D. x 120" LG
	03236.1003	-	Tube, Silicone .312" I.D. x .438" O.D. x 60" LG
17	21000.0524	1	Lead W/Terminals, 18AWG BLK 3.50" LG Flow Meter Ground (Not Illustrated)



## PRESSURE GAUGE AND PIPING

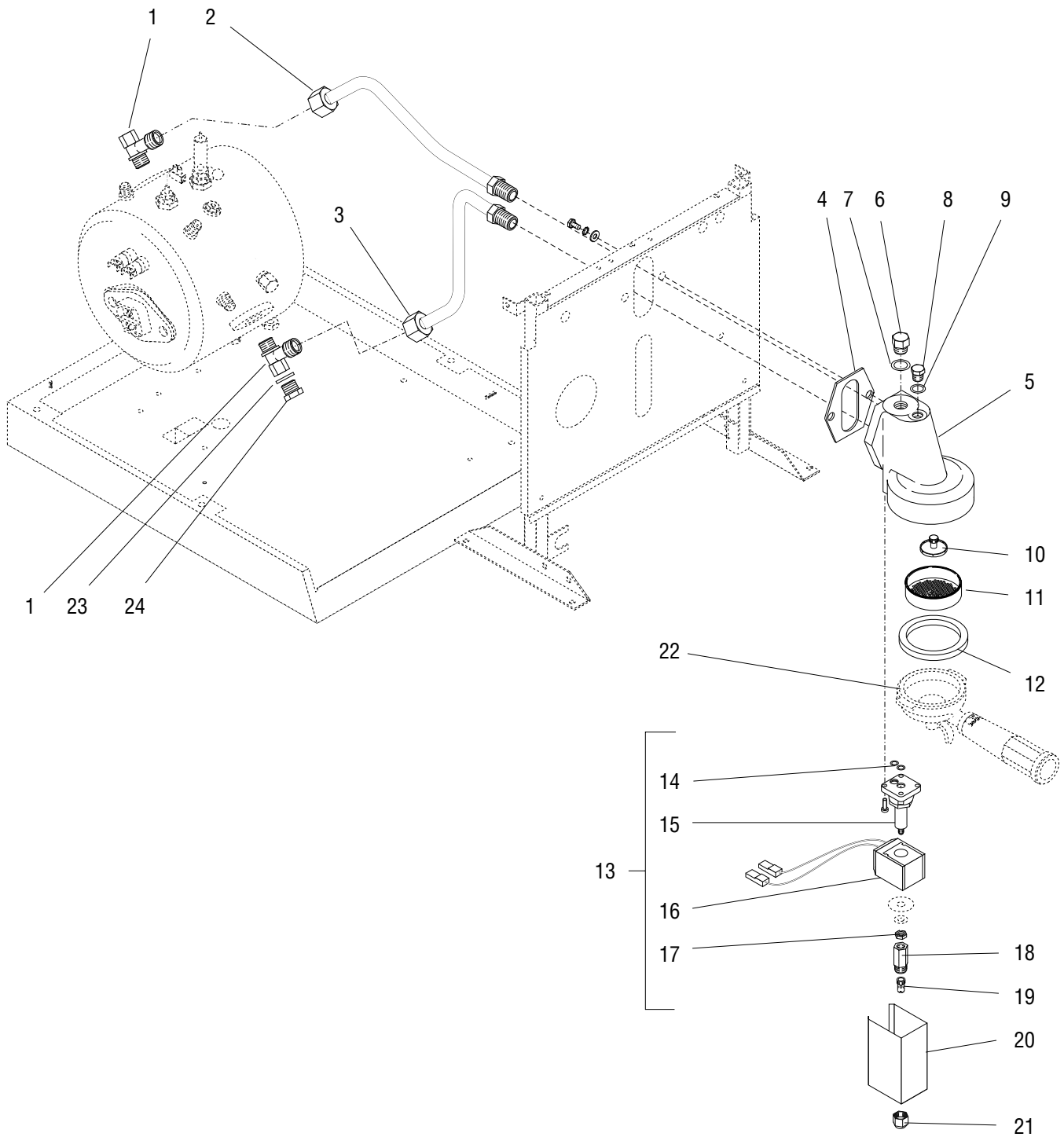
ITEM	PART NO.	QTY.	DESCRIPTION
1	-----	1	Gauge, Pressure (Order item 9)
2	24211.0000	1	Bracket, Mounting
3	24267.0000	2	Spacer
4	24284.0000	2	Nut, M10
5	-----	1	Tube Assembly (See Refill Solenoid and Piping)
6	23611.0000	1	Tube Assembly, Refill Tube to Gauge
7	23613.0000	1	Tube Assembly, Pressure Switch - Tank - Gauge
8	-----	1	Pressure Switch (See Electrical and Operating Controls)
9	24212.0000	-	Gauge Kit (Includes items 1 thru 4)

See item 9



## STEAM, HOT WATER VALVES AND PIPING

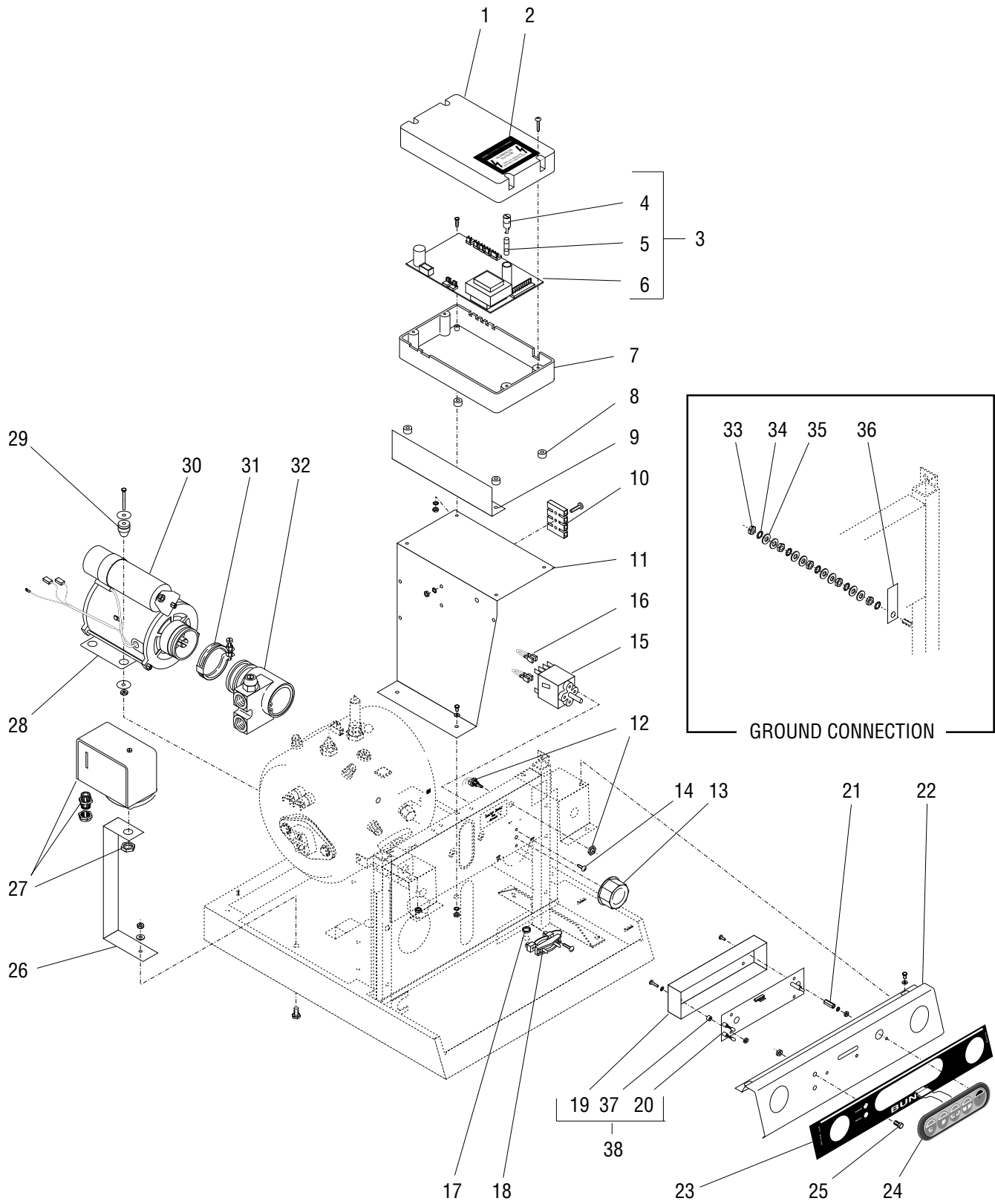
ITEM	PART NO.	QTY.	DESCRIPTION
1	23619.0000	1	Tube Assembly, Steam Valve to Tank
2	26983.0000	2	Valve Body
3	25196.0000	2	Seat, Rubber
4	26984.0000	2	Plunger, Valve
5	25206.0000	2	Pin, Cotter
6	25194.0000	2	Spring
7	26985.0000	2	Guide, Plunger
8	25192.0000	4	O-Ring, Plunger
9	25191.0000	2	Washer, Sealing
10	26986.0000	2	Screw, Lead-Valve
11	25200.0000	2	Nut, Hex
12	25203.0000	2	Spring
13	26994.0000	2	Knob, Valve
14	25205.0000	2	Washer, Flat
15	25207.0000	2	Cap, Knob
16	26987.0000	1	Label, Steam
	26988.0000	1	Label, Hot Water
17	27007.0000	2	Washer, Sealing
18	26993.0000	2	Spring
19	26992.0000	2	Washer, Flat
20	22573.0000	2	O-Ring
21	26991.0000	2	Retainer, O-ring
22	26989.0000	1	Wand, Steam
23	24464.0000	1	Nozzle, Frothing 2-Hole
	24464.0001	1	Nozzle, Frothing 4-Hole
24	23616.0000	1	Tube Assembly, Hot Water Valve to Tank
25	26990.0000	1	Wand, Hot Water
26	22844.0000	1	Nozzle, Hot Water
27	24465.0000	1	Tube, Steam .625" O.D. x 2.5" LG
	24465.0001	1	Tube, Steam .625" O.D. x 1.25" LG
28	24513.0000	1	Adapter, Steam Tube





## GROUP HEAD AND PIPING

ITEM	PART NO.	QTY.	DESCRIPTION
1	23609.0001	2	Fitting, Water - Plated
2	23612.0001	1	Tube Assembly, Tank to Group Head (Upper) - Plated
3	23621.0001	1	Tube Assembly, Tank to Group Head (Lower) - Plated
4	23584.0000	1	Gasket, Group Head to Front Cover
5	23641.0000	1	Group Head
	24008.0001	2	Screw, Hex Head M8 x 1.25 x 16mm
	25004.0000	2	Lockwasher Split M8
	24028.0000	2	Washer, Flat M8
6	23590.0000	1	Plug, M16 x 1.5 (Also order item 7)
7	22867.0000	1	Washer, Sealing
8	23591.0000	1	Plug, M12 x 1.25 (Also order item 9)
9	24030.0000	1	Washer, Sealing
10	23592.0001	1	Sprayhead - Plated
11	23593.0000	1	Screen Assembly
12	23594.0000	1	Gasket, Filter Holder
13	27750.1000	1	Solenoid Assembly, 110V (Includes items 14 thru 17 and 25)
	24005.0300	4	Screw, Socket Head M4 x .7 x 12mm
14	23596.0000	2	O-Ring
15	-----	1	Base, Solenoid (Not Available. Order item 13)
16	-----	1	Coil, 110V
17	24891.0000	1	Nut, M10 x 1.0
18	23583.0000	1	Fitting, Hex - Solenoid Discharge
19	23582.0000	1	Orifice, Solenoid Discharge
20	23642.0000	1	Cover, Solenoid
21	23581.0000	1	Nut, Solenoid Discharge
22	-----	1	Holder Assembly (See Filter Holder Assembly)
23	24030.0001	1	Washer, Sealing
24	23602.0001	1	Plug, Drain - Plated
25	21000.0545	2	Lead, Electrical BLK 20.0" (Not illustrated)

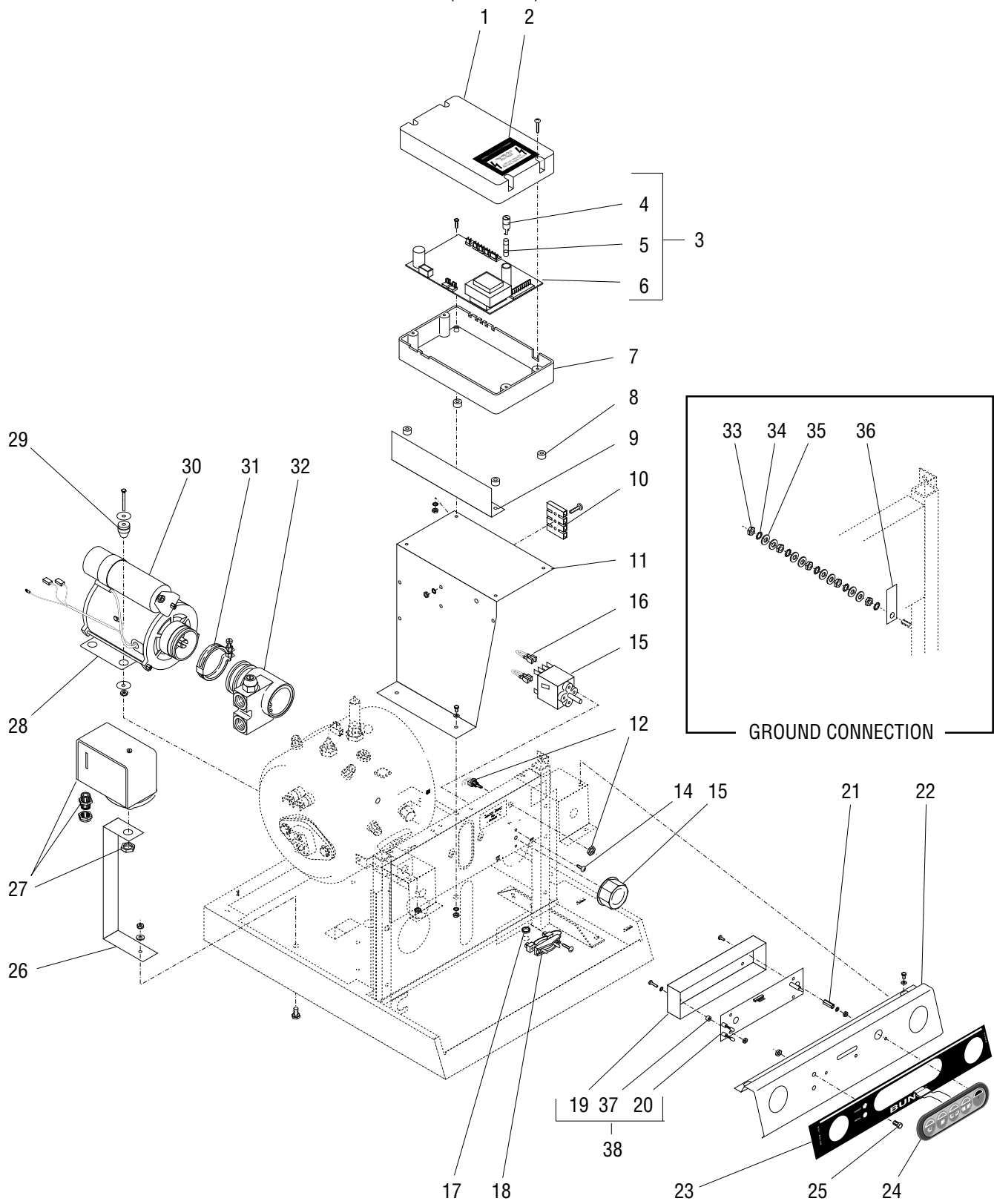


## ELECTRICAL AND OPERATING CONTROLS

ITEM	PART NO.	QTY.	DESCRIPTION
1	27010.0000	1	Cover W/Decal, Electronic Control Box (Includes item 2)
	24004.0701	2	Screw, Gsk Pan Head -Self-Tapping M3.5 x 20mm
2	12652.0000	1	Decal, Warning - Hazardous Voltage
3	24616.0000	1	Electronic Controller Assembly (Includes item 4, 5 & 6)
4	27036.0000	1	Retainer, Fuse
5	27035.0000	1	Fuse, 5amp
6	-----	1	Electronic Control Module (Order item 3)
7	24755.0000	1	Housing, Electronic Control
	24005.0004	4	Screw, Hex Head M4 x .7 x 20mm
	24025.0301	4	Lockwasher, External Tooth M4
	24045.0101	4	Nut, Hex M4 x .7
8	27082.0000	4	Spacer, Brass
9	23631.0000	1	Cable Protector, Electronic Module
10	25226.0000	1	Terminal Block
	24005.0003	1	Screw, Hex Head M4 x .7 x 30mm
	25238.0000	1	Lockwasher, Split M4
	24045.0101	1	Nut, M4 x .7
11	23627.0000	1	Bracket, Electronic Module Mounting
	24006.0300	2	Screw, Hex Head M5 x .8 x 10mm
	24046.0000	2	Nut, Hex Keps M5 x .8
12	26982.0000	1	Switch, Toggle - Run - Program (Includes nut & leads)
13	23566.0000	1	Knob, Selector Switch
14	23935.0000	1	Screw, Pan Head Slotted M3.5 x 7mm
15	25613.0000	1	Switch, Selector
16	21014.0071	2	Lead, Electrical - 14awg BLK 4"LG
17	07070.0000	1	Bushing, Snap .687" Dia
18	23635.0000	1	Clamp, Cable (Includes Screws)
	24004.0800	2	Screw, Pan Head Self-Tapping M3.5 x 25mm
19	27081.0000	1	Cover, Control Board Assembly
	22899.0000	2	Screw, Round Head #6-40 x .187"
20	23626.0000	1	Control Board Assembly
	24003.1000	4	Screw, Pan Head Cross Recessed M3 x .5 x 8mm
	24023.0300	4	Lockwasher, External Tooth M3
	24043.0100	4	Nut, Hex M3 x .5
21	23671.0000	2	Spacer, Female #6-40
	24024.0000	2	Washer, Flat M3.5

(Continued)

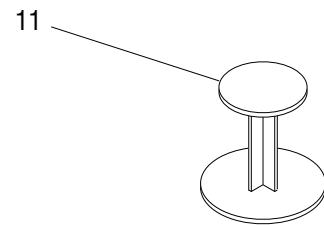
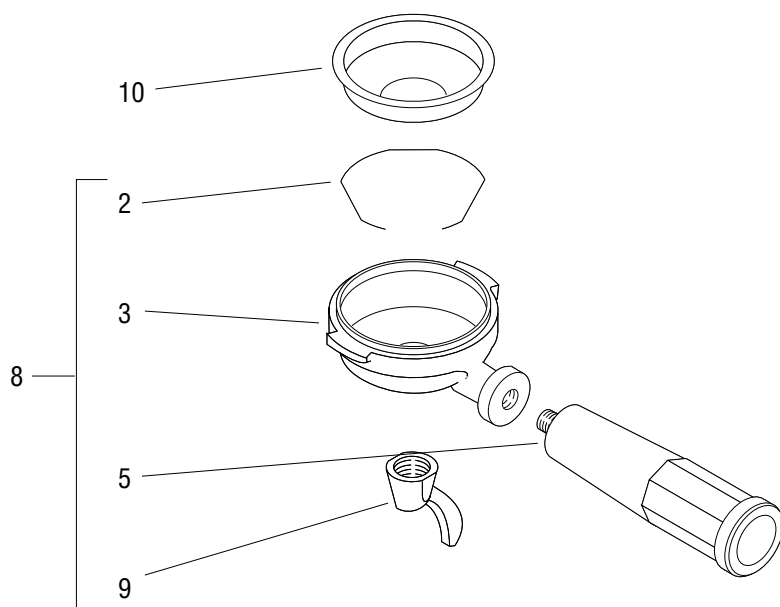
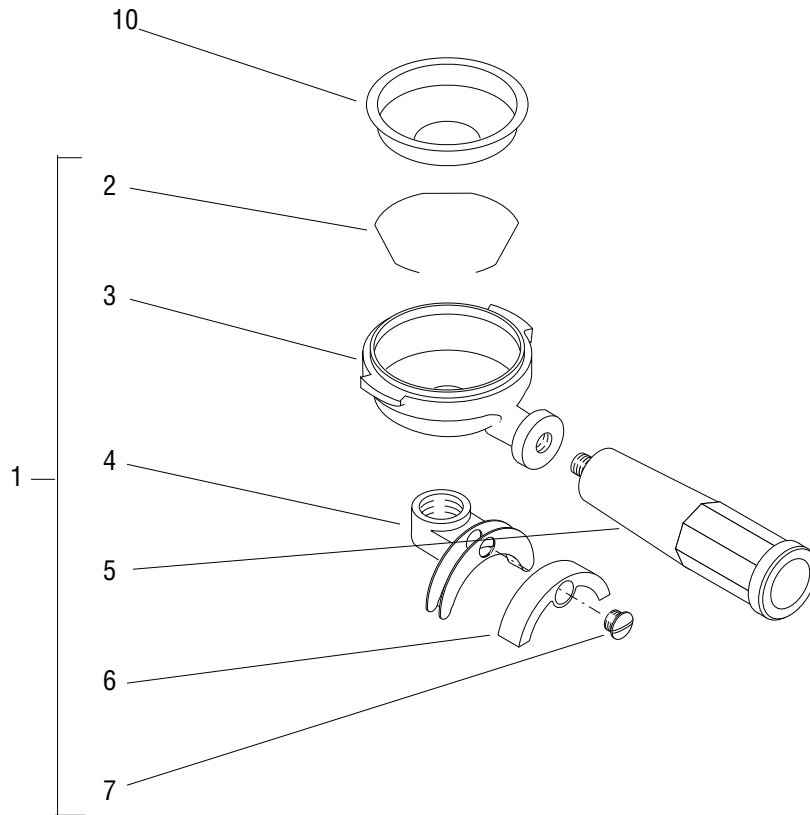
(Continued)



## ELECTRICAL AND OPERATING CONTROLS

ITEM	PART NO.	QTY.	DESCRIPTION
22	27009.0000	1	Hood Panel W/Decal (Includes item 23)
	24006.0300	4	Screw, Hex Head M5 x .8 x 10mm
23	26981.0000	1	Decal, Hood Panel
24	22695.0000	1	Panel, Select Switch (Includes Ribbon Cable)
	24044.0100	3	Nut, Hex - Brass M3.5 x .5
25	23541.0000	2	Bazel, Indicator Light (Includes nut)
26	27004.0000	1	Bracket, Pressure Switch Mounting
	24006.0300	1	Screw, Hex Head M5 x .8 x 10mm
	24026.0001	1	Washer, Flat M5
	24046.0000	1	Nut, Hex Keps M5 x .8
27	24851.0000	1	Switch Assembly, Pressure - Heater Control (Includes nut and cable clamp)
28	23664.0000	1	Motor Assembly, 110V
	24006.0003	4	Screw, Hex Head M5 x .8 x 30mm
	24026.0002	8	Washer, Flat M5 x 20mm O.D.
	24046.0400	8	Nut, Hex Keps M5
29	26697.0000	4	Grommet, Motor Mount
30	23552.0000	1	Capacitor, Motor 110V
31	23639.0000	1	Clamp, Pump Mounting (Includes Screw)
32	25525.0001	1	Pump Assembly, Rotary
33	24045.0101	5	Nut, Hex M4 x .7 Plated
34	24025.0300	5	Lockwasher, External Tooth M4
35	24045.0000	8	Washer, Flat M4
36	27079.0000	1	Decal, Ground
37	27080.0000	4	Spacer, Circuit Board
38	23670.0000	1	Circuit Board & Cover Assembly (Includes items 19, 20 & 37)
39	01638.0000	1	Cord, Power
40	27037.0000	1	Wiring Harness, Main
41	24811.0000	1	Ribbon Cable

} Not Illustrated



## FILTER HOLDER ASSEMBLY

ITEM	PART NO.	QTY.	DESCRIPTION
1	23549.0000	1	Filter Holder Assembly, 2 Cup (Includes items 2 Thru 7)
2	22819.0000	1	Wire, Filter Support
3	23632.0000	1	Holder, Filter
4	23551.0000	1	Nozzle, Dispense - 2 Cup
5	26745.0000	1	Handle, Filter
6	23550.0000	1	Cover, 2 Cup Dispense Nozzle
7	23932.0000	1	Screw, 2 Cup Dispense Nozzle Cover
8	23548.0000	1	Filter Holder Assembly, 1 Cup (Includes items 2,3, 5 &9)
9	23547.0000	1	Nozzle, Dispense - 1 Cup
10	27511.0000	1	Basket, Brew 7 Gram
	23546.0000	1	Filter, 2 Cup
11	23441.0000	1	Tamper
12	23544.0000	1	Cup, Pressure Test - No Holes (Not Illustrated)

## NUMERICAL INDEX

PART NO.	PAGE NO.	PART NO.	PAGE NO.	PART NO.	PAGE NO.	PART NO.	PAGE NO.
00656.0000	3	23597.0001	15	24005.0300	15	25194.0000	13
00986.0002	3	23600.0001	5	24006.0003	19	25196.0000	13
01085.0000	9	23601.0001	5	24006.0300	17,19	25200.0000	13
01387.0000	3	23602.0001	15	24007.0000	3	25203.0000	13
01514.0000	7	23603.0000	5	24008.0001	15	25205.0000	13
01638.0000	19	23605.0001	5	24023.0300	17	25206.0000	13
03236.1001	9	23606.0001	5	24024.0000	17	25207.0000	13
03236.1002	9	23607.0000	5	24025.0000	19	25525.0001	19
03236.1003	9	23608.0000	5	24045.0101	19	25226.0000	17
07070.0000	17	23609.0001	15	24025.0300	19	25238.0000	17
12445.0000	9	23610.0001	7	24025.0301	17	25613.0000	17
12652.0000	3,17	23611.0000	11	24026.0001	19	26196.0001	3
21000.0524	9	23612.0000	15	24026.0002	19	26209.0000	5
21014.0071	17	23613.0000	11	24027.0000	3	26697.0000	19
22249.0000	7	23614.0000	9	24028.0000	15	26745.0000	21
22267.0002	7	23615.0000	9	24029.0000	5	26981.0000	19
22573.0000	13	23616.0000	13	24030.0000	15	26982.0000	17
22603.0000	9	23619.0000	13	24030.0001	5,15	26983.0000	13
22695.0000	19	23620.0000	9	24043.0400	3	26984.0000	13
22723.0000	3	23621.0001	15	24044.0100	19	26985.0000	13
22814.0000	5	23622.0000	7	24045.0101	3,9,17,19	26986.0000	13
22819.0000	21	23623.0000	7	24045.0400	3	26987.0000	13
22832.0000	9	23624.0001	9	24046.0000	17,19	26988.0000	13
22844.0000	13	23626.0000	17	24046.0400	19	26989.0000	13
22867.0000	5,15	23627.0000	17	24047.0400	3	26990.0000	13
22868.0000	9	23629.0000	5	24211.0000	11	26991.0000	13
22899.0000	17	23631.0000	17	24212.0000	11	26992.0000	13
23441.0000	21	23632.0000	21	24246.0000	3	26993.0000	13
23482.0000	3	23633.0000	3	24247.0000	3	26994.0000	13
23540.0001	7	23635.0000	17	24267.0000	11	26995.0000	3
23541.0000	19	23638.0000	3	24274.1000	5	26996.0000	3
23544.0000	21	23639.0000	19	24284.0000	11	26997.0000	3
23546.0000	21	23641.0000	15	24386.0000	7	26999.0000	3
23547.0000	21	23642.0000	15	24464.0000	13	27001.0000	3
23548.0000	21	23647.0001	5	24464.0001	13	27002.0000	3
23549.0000	21	23648.0000	3	24465.0000	13	27004.0000	19
23550.0000	21	23653.0000	3	24465.0001	13	27005.0000	3
23551.0000	21	23654.0000	3	24513.0000	13	27007.0000	13
23552.0000	19	23657.0000	3	24616.0000	17	27008.0000	3
23563.0001	9	23664.0000	19	24641.0000	9	27009.0000	19
23566.0000	17	23670.0000	19	24682.0000	7	27010.0000	17
23567.0001	9	23671.0000	17	24683.0000	7	27011.0000	3
23569.0001	9	23721.0000	7	24684.0000	7	27012.0000	3
23581.0000	15	23769.0000	5	24744.0000	7	27035.0000	17
23582.0000	15	23820.1000	7	24755.0000	17	27036.0000	17
23583.0000	15	23932.0000	21	24811.0000	19	27037.0000	19
23584.0000	15	23933.0000	7	24842.0000	3	27079.0000	19
23586.0000	5	23934.0000	5	24851.0000	19	27080.0000	19
23590.0000	15	23935.0000	17	24891.0000	15	27081.0000	17
23591.0000	15	24003.1000	17	25004.0000	15	27082.0000	17
23592.0001	15	24004.0701	17	25008.0000	5	27511.0000	21
23593.0000	15	24004.0800	17	25035.0000	5		
23594.0000	15	24005.0003	17	25186.0000	5		
23595.0000	15	24005.0004	17	25191.0000	13		
23596.0000	15	24005.0200	3	25192.0000	13		