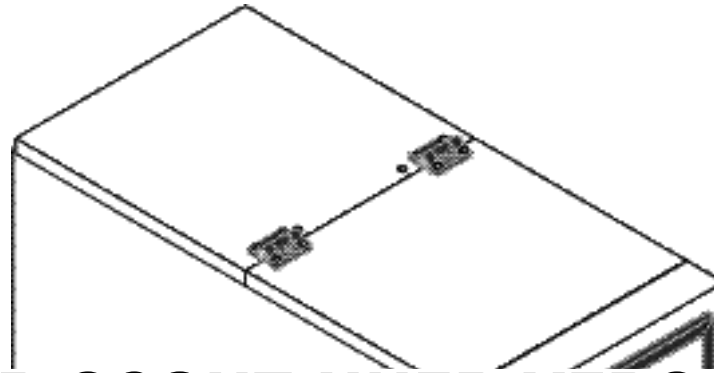


# BUNN®

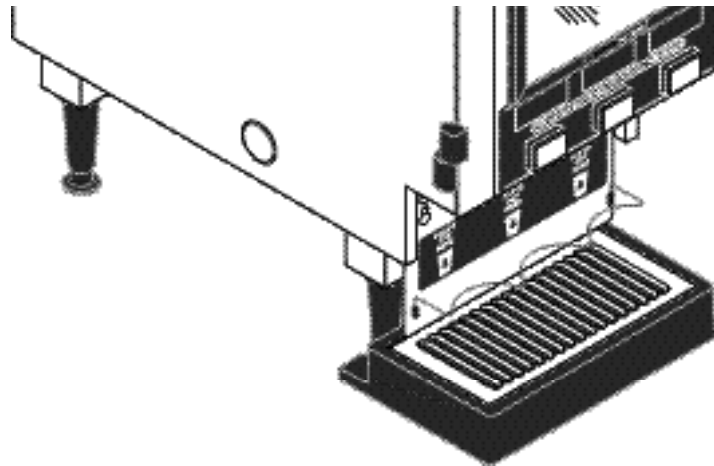
## *HC-2*

## *HC-3*

(SERIAL # HC00025000 - UP)



**DISCONTINUED VERSION**  
**Parts listed in this catalog**  
**may no longer be available.**



## **ILLUSTRATED PARTS CATALOG**

Designs, materials, weights, specifications, and dimensions for equipment or replacement parts are subject to change without notice.

**BUNN-O-MATIC CORPORATION**

POST OFFICE BOX 3227

SPRINGFIELD, ILLINOIS 62708-3227

PHONE: (217) 529-6601 FAX: (217) 529-6644

[www.bunnomatic.com](http://www.bunnomatic.com)

## BUNN-O-MATIC COMMERCIAL PRODUCT WARRANTY

Bunn-O-Matic Corp. ("BUNN") warrants equipment manufactured by it as follows:

- 1) All equipment other than as specified below: 2 years parts and 1 year labor.
- 2) Electronic circuit and/or control boards: parts and labor for 3 years.
- 3) Compressors on refrigeration equipment: 5 years parts and 1 year labor.
- 4) Grinding burrs on coffee grinding equipment to grind coffee to meet original factory screen sieve analysis: parts and labor for 3 years or 30,000 pounds of coffee, whichever comes first.

These warranty periods run from the date of installation BUNN warrants that the equipment manufactured by it will be commercially free of defects in material and workmanship existing at the time of manufacture and appearing within the applicable warranty period. This warranty does not apply to any equipment, component or part that was not manufactured by BUNN or that, in BUNN's judgment, has been affected by misuse, neglect, alteration, improper installation or operation, improper maintenance or repair, damage or casualty. This warranty is conditioned on the Buyer 1) giving BUNN prompt notice of any claim to be made under this warranty by telephone at (217) 529-6601 or by writing to Post Office Box 3227, Springfield, Illinois 62708-3227; 2) if requested by BUNN, shipping the defective equipment prepaid to an authorized BUNN service location; and 3) receiving prior authorization from BUNN that the defective equipment is under warranty.

**THE FOREGOING WARRANTY IS EXCLUSIVE AND IS IN LIEU OF ANY OTHER WARRANTY, WRITTEN OR ORAL, EXPRESS OR IMPLIED, INCLUDING, BUT NOT LIMITED TO, ANY IMPLIED WARRANTY OF EITHER MERCHANTABILITY OR FITNESS FOR A PARTICULAR PURPOSE.** The agents, dealers or employees of BUNN are not authorized to make modifications to this warranty or to make additional warranties that are binding on BUNN. Accordingly, statements by such individuals, whether oral or written, do not constitute warranties and should not be relied upon.

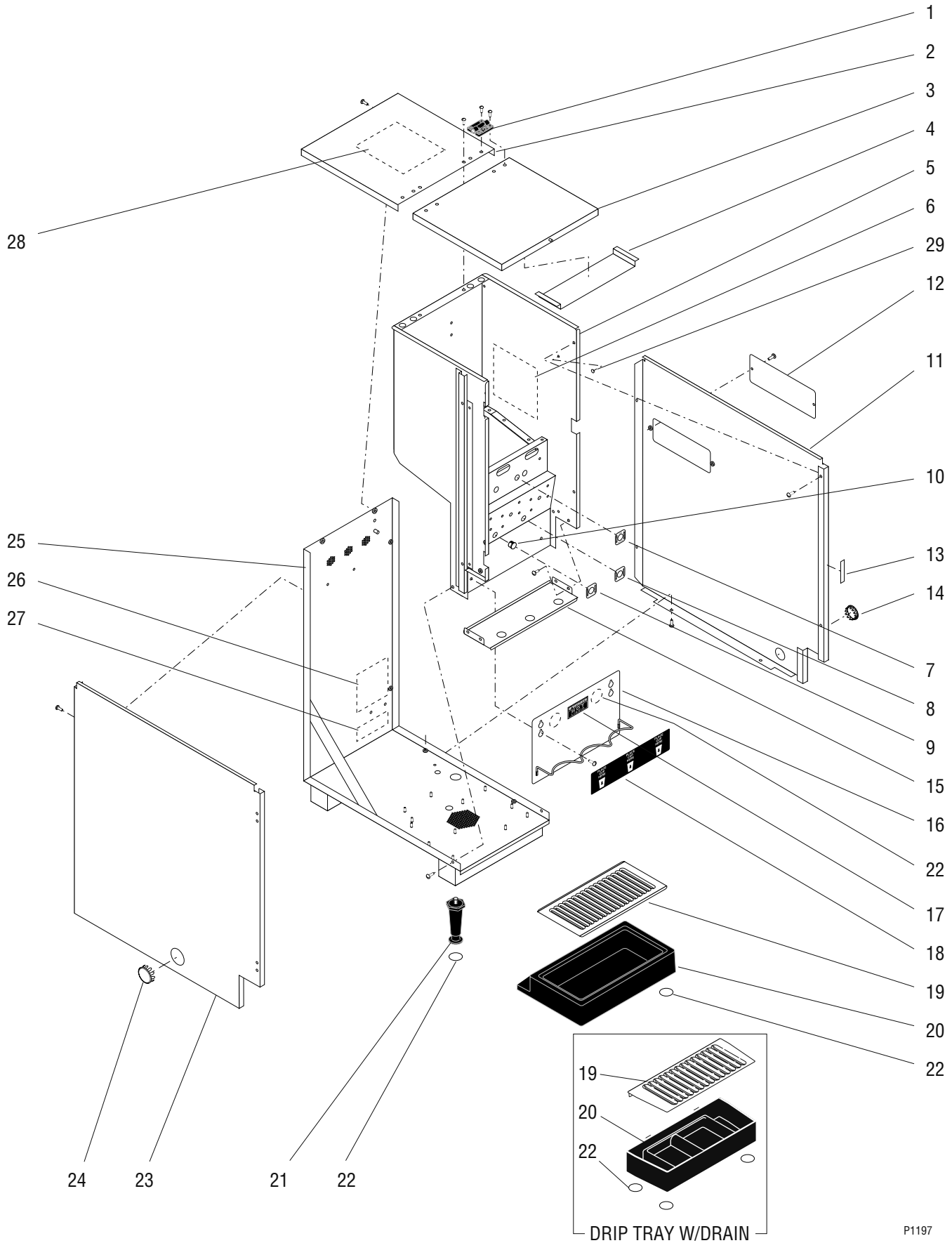
If BUNN determines in its sole discretion that the equipment does not conform to the warranty, BUNN, at its exclusive option while the equipment is under warranty, shall either 1) provide at no charge replacement parts and/or labor (during the applicable parts and labor warranty periods specified above) to repair the defective components, provided that this repair is done by a BUNN Authorized Service Representative; or 2) shall replace the equipment or refund the purchase price for the equipment.

**THE BUYER'S REMEDY AGAINST BUNN FOR THE BREACH OF ANY OBLIGATION ARISING OUT OF THE SALE OF THIS EQUIPMENT, WHETHER DERIVED FROM WARRANTY OR OTHERWISE, SHALL BE LIMITED, AT BUNN'S SOLE OPTION AS SPECIFIED HEREIN, TO REPAIR, REPLACEMENT OR REFUND.**

In no event shall BUNN be liable for any other damage or loss, including, but not limited to, lost profits, lost sales, loss of use of equipment, claims of Buyer's customers, cost of capital, cost of down time, cost of substitute equipment, facilities or services, or any other special, incidental or consequential damages.

# TABLE OF CONTENTS

| TITLE  | PAGE NO. |
|--|----------|
| Auger Drive and Hopper Assembly .....          | 10       |
| Covers, Panels and Drip Tray .....             | 4        |
| Dispense Valves and Lines .....                | 20       |
| Door, Lamp and Panels .....                    | 8        |
| Electrical Controls .....                      | 22       |
| Mixing/Whipper Chambers and Drive Motor .....  | 12       |
| Numerical Index .....                          | 26       |
| Strainer, Solenoid, Fill Valve and Lines ..... | 16       |
| Tank, Heater and Overflow Protection .....     | 14       |

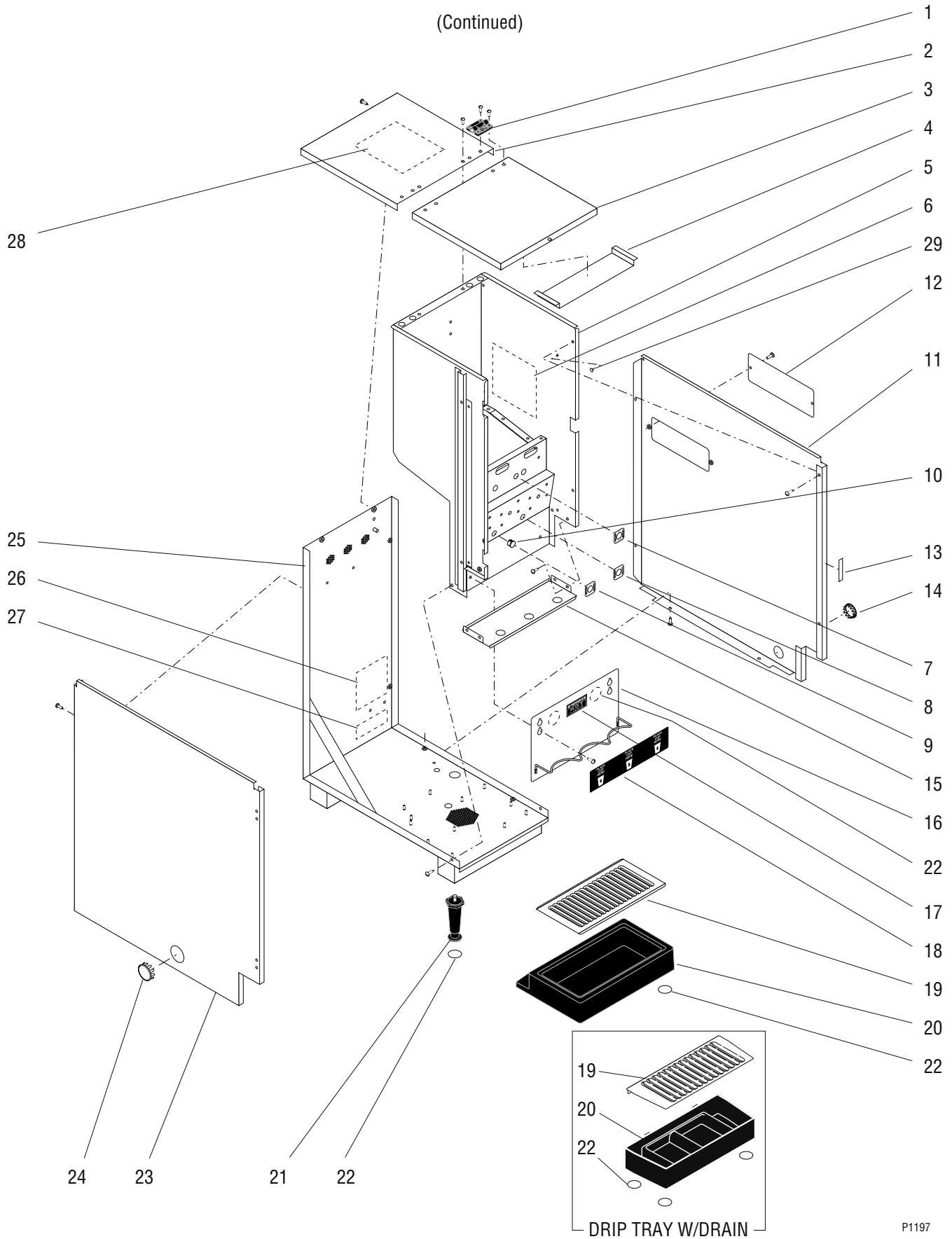


## COVERS, PANELS AND DRIP TRAY

| ITEM | PART NO.   | QTY. | DESCRIPTION   |
|------|------------|------|---|
| 1    | 26504.0000 | 2    | Hinge   |
|      | 02308.0000 | 8    | Screw, Pan Head #8 - 32 x .375"   |
| 2    | 25796.0000 | 1    | Cover, Top Rear (SST)   |
|      | 25796.0002 | 1    | Cover, Top Rear (Black)   |
|      | 02331.0000 | 4    | Screw, Truss Head #10 - 32 x .375" (SST)  |
|      | 02331.0001 | 4    | Screw, Truss Head #10 - 32 x .375" (Black)                                      |
| 3    | 25901.0000 | 1    | Cover, Top Front (SST)  |
|      | 25901.0002 | 1    | Cover, Top Front (Black)  |
| 4    | 27290.0000 | 1    | Kit, Hopper Stabilizer  |
| 5    | -----      | 1    | Panel W/Decals, Front (Not available) (Mechanical Thermostat)                   |
|      | -----      | 1    | Panel W/Decals, Front (Not available) (Electronic Thermostat)                   |
|      | 02331.0000 | 2    | Screw, Truss Head #10 - 32 x .375"  |
| 6    | 27593.0000 | 1    | Schematic, 120 & 120/240V   |
|      | 27593.0004 | 1    | Schematic, 240V   |
| 7    | 26524.0000 | 1    | Decal, Tank Heater Switch   |
| 8    | 26523.0000 | 1    | Decal, Rinse/Run Switch   |
| 9    | 26522.0000 | 1    | Decal, Hot/Cold Switch (Models with Cold Water Valve Option)                    |
| 10   | 00670.0000 | 1    | Plug, Hole .437" Dia. (Not used on models with Cold Water Valve Option)         |
| 11   | 27604.0000 | 1    | Cover, Right Side (SST)   |
|      | 27604.0001 | 1    | Cover, Right Side (Black)   |
|      | 27305.0000 | 1    | Cover, Right Side (SST)   |
|      | 27305.0002 | 1    | Cover, Right Side (Black)   |
|      | 01311.0000 | 6    | Screw, Truss Head #8 - 32 x .25"  |
| 12   | 25414.0000 | 1    | Cover, Access (SST)   |
|      | 25414.0002 | 1    | Cover, Access (Black)   |
|      | 01311.0000 | 2    | Screw, Truss Head #8 - 32 x .25" (SST)  |
|      | 01311.0003 | 2    | Screw, Truss Head #8 - 32 x .25" (Black)  |
| 13   | 27298.0000 | 1    | Strike Assy, Steel Self Adhesive  |
| 14   | 00619.0005 | 1    | Plug, Hole 1.06" Dia. (SST)   |
|      | 23164.0001 | 1    | Plug, Hole 1.06" Dia. (Black)   |
| 15   | 26233.0000 | 1    | Panel, Splash   |
|      | 01311.0000 | 4    | Screw, Truss Head #8 - 32 x .25"  |
| 16   | 26749.0000 | 1    | Plate W/Decals, Cup Stop (Includes item 17 & 2 of item 22 - also order item 18) |
|      | 01311.0001 | 2    | Screw, Truss Head #8 - 32 x .25" Locking  |
| 17   | 12368.0002 | 1    | Decal, Caution-Hot Liquid   |
| 18   | 26576.0000 | 1    | Decal, Cup Placement (HC-3 Models) (Shown)                                      |
|      | 26576.0002 | 1    | Decal, Cup Placement (HC-2 Models)  |
| 19   | 27017.0000 | 1    | Cover, Drip Tray (Use with SST Drip Tray)                                       |
|      | 27017.0001 | 1    | Cover, Drip Tray (Use with Plastic Drip Tray)                                   |
|      | 28267.0000 | 1    | Cover, Drip Tray (Use with Drip Tray with Drain Hole)                           |

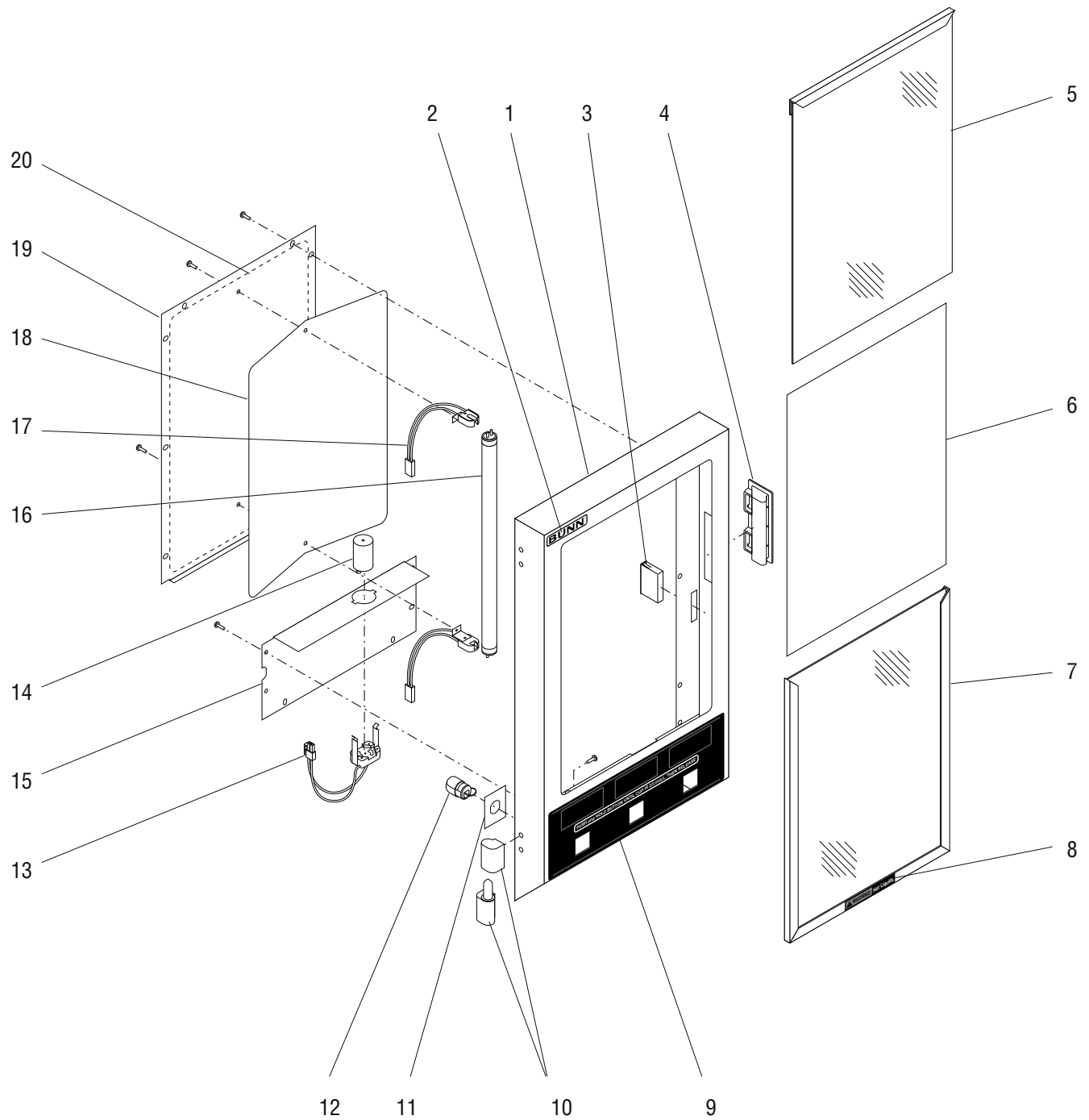
(Continued)

(Continued)



## COVERS, PANELS AND DRIP TRAY

| ITEM | PART NO.   | QTY. | DESCRIPTION   |
|------|------------|------|---|
| 20   | 27016.1000 | 1    | Drip Tray Assy, SST (Includes 4 of item 22)                                   |
|      | 26886.1000 | 1    | Drip Tray Assy, Black (Includes 4 of item 22) (Shown)                         |
|      | 28699.0000 | 1    | Drip Tray Assy, Black (Includes 4 of item 22) (Drip Tray with Drain Hole)     |
| 21   | 26528.0000 | 4    | Leg, 4.0" Adjustable (Also see item 30)                                       |
| 22   | 03996.0000 | 10   | Pad, Rubber 1.25" Dia.  |
| 23   | 27476.0000 | 1    | Cover, Left Side (SST)  |
|      | 27476.0002 | 1    | Cover, Left Side (Black)  |
|      | 01311.0000 | 6    | Screw, Truss Head #8 - 32 x .25"  |
| 24   | 00619.0011 | 1    | Plug, Hole 1.50" Dia. (SST)   |
|      | 23164.0002 | 1    | Plug, Hole 1.50" Dia. (Black)   |
| 25   | 27673.0000 | 1    | Cover W/Decals, Rear & Bottom 120V (Includes items 26 & 27)                   |
|      | 27673.0001 | 1    | Cover W/Decals, Rear & Bottom 240V (Includes items 26 & 27)                   |
| 26   | 00831.0000 | 1    | Decal, Warning-Electrical   |
| 27   | 00656.0000 | 1    | Decal, Comply to Plumbing Code  |
| 28   | 27620.0000 | 1    | Decal, Thermostat Adjustment  |
| 29   | 20621.0000 | 4    | Plug, Hole .203" Dia.   |
| 30   | 13255.0003 | 1    | Kit, Leg 4.0" Adjustable (Includes 4 each of items 21 & 22) (Not illustrated) |
| 31   | 27734.0000 | 1    | Cover, Steam Collector Hole (Not illustrated)                                 |
| 32   | 28701.0000 | -    | Drip Tray Kit w/Drain Hole (Includes items 19,20 & 22)                        |



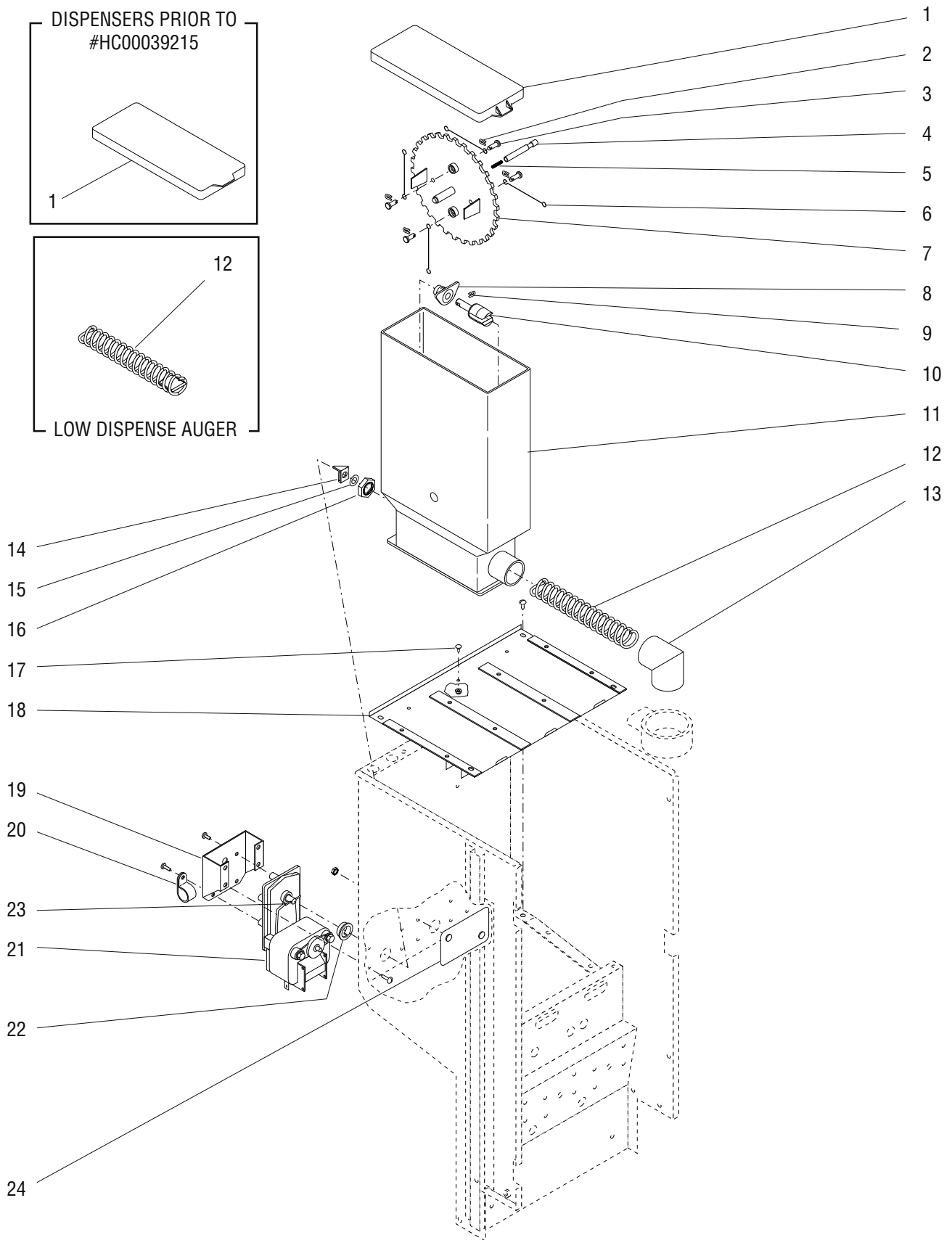
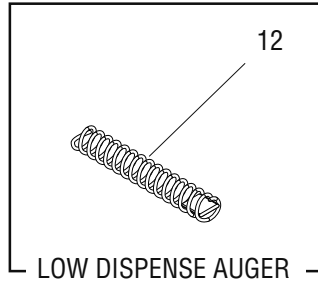
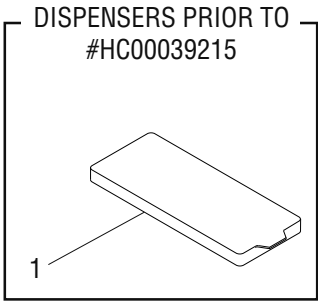


## DOOR, LAMP AND PANELS

| ITEM | PART NO.   | QTY. | DESCRIPTION   |
|------|------------|------|---|
| 1    | 27674.0000 | 1    | Door W/Decals (SST) (Includes Item 2 & 7 - also order item 9)   |
|      | 27674.0001 | 1    | Door W/Decals (Black) (Includes Item 2 - & 7 also order item 9)   |
| 2    | 00851.0000 | 1    | Decal, BUNN   |
| 3    | 25899.0000 | 1    | Magnetic Catch  |
| 4    | 27295.0000 | 1    | Handle, Door  |
| 5    | 27126.1000 | 1    | Window W/Top Frame Assembly   |
| 6    | 26520.0000 | 1    | Display, Graphics (Cafe Scene)  |
|      | 26520.0001 | 1    | Display, Graphics (Fireside Scene)  |
| 7    | 27602.1000 | 1    | Window W/Side and Bottom Frame (Includes item 8)  |
| 8    | 11646.0000 | 1    | Decal, Warning - Hot Liquids  |
| 9    | 26525.0000 | 1    | Decal, Door Front (HC-3 Models) (Shown)   |
|      | 26525.0002 | 1    | Decal, Door Front (HC-2 Models)   |
| 10   | 27296.0000 | 2    | Hinge, Door   |
|      | 02330.0001 | 8    | Screw, Hex Head-Washer #10-24 x .375"   |
| 11   | 26892.0000 | 1    | Plate, Strain Relief  |
| 12   | 26444.0000 | 2    | Bushing, Strain Relief  |
| 13   | 27586.0000 | 1    | Socket W/Terminals, Starter   |
| 14   | 27619.0000 | 1    | Starter, Lamp   |
| 15   | 27520.1001 | 1    | Cover, Door - Bottom  |
|      | 01311.0000 | 6    | Screw, Truss Head #8 - 32 x .25"  |
| 16   | 26239.0000 | 1    | Lamp, Fluorescent - 8 Watts   |
| 17   | 27587.0000 | 2    | Lamp Holder, Fluorescent  |
|      | 02328.0002 | 2    | Screw, Pan Head #6 - 32 x .188"   |
| 18   | 27597.0000 | 1    | Reflector, Door Lamp  |
| 19   | 27675.0000 | 1    | Cover W/Decal, Door - Upper (Includes item 20)  |
|      | 01311.0000 | 8    | Screw, Truss Head #8 - 32 x .25"  |
| 20   | 27585.0000 | 1    | Decal, Cleaning   |
| 21   | 26507.0001 | 1    | Wiring Harness, Door Interconnect 120V  |
|      | 26507.0002 | 1    | Wiring Harness, Door Interconnect 240V  |
|      | 00970.0000 | 1    | Nut, Keps #8-32 (Ground)  |
| 22   | 27584.0000 | 1    | Wiring Harness, Door 120V   |
|      | 27584.0001 | 1    | Wiring Harness, Door 240V   |
| 23   | 26537.0000 | 1    | Decal, Flavors (Almond Amaretto, Cappuccino, French Vanilla, Hazelnut, Hot Chocolate and Raspberry Mocha) |
|      | 26537.0001 | 1    | Decal, Flavors (Swiss Mocha, Mocha, Raspberry Vanilla, Irish Creme, Coffee and Original)                  |
|      | 26537.0003 | 1    | Decal, Flavors (White Chocolate, Cinnamon Vanilla Nut, Decaf, Regular, French Vanilla and Hot Chocolate)  |

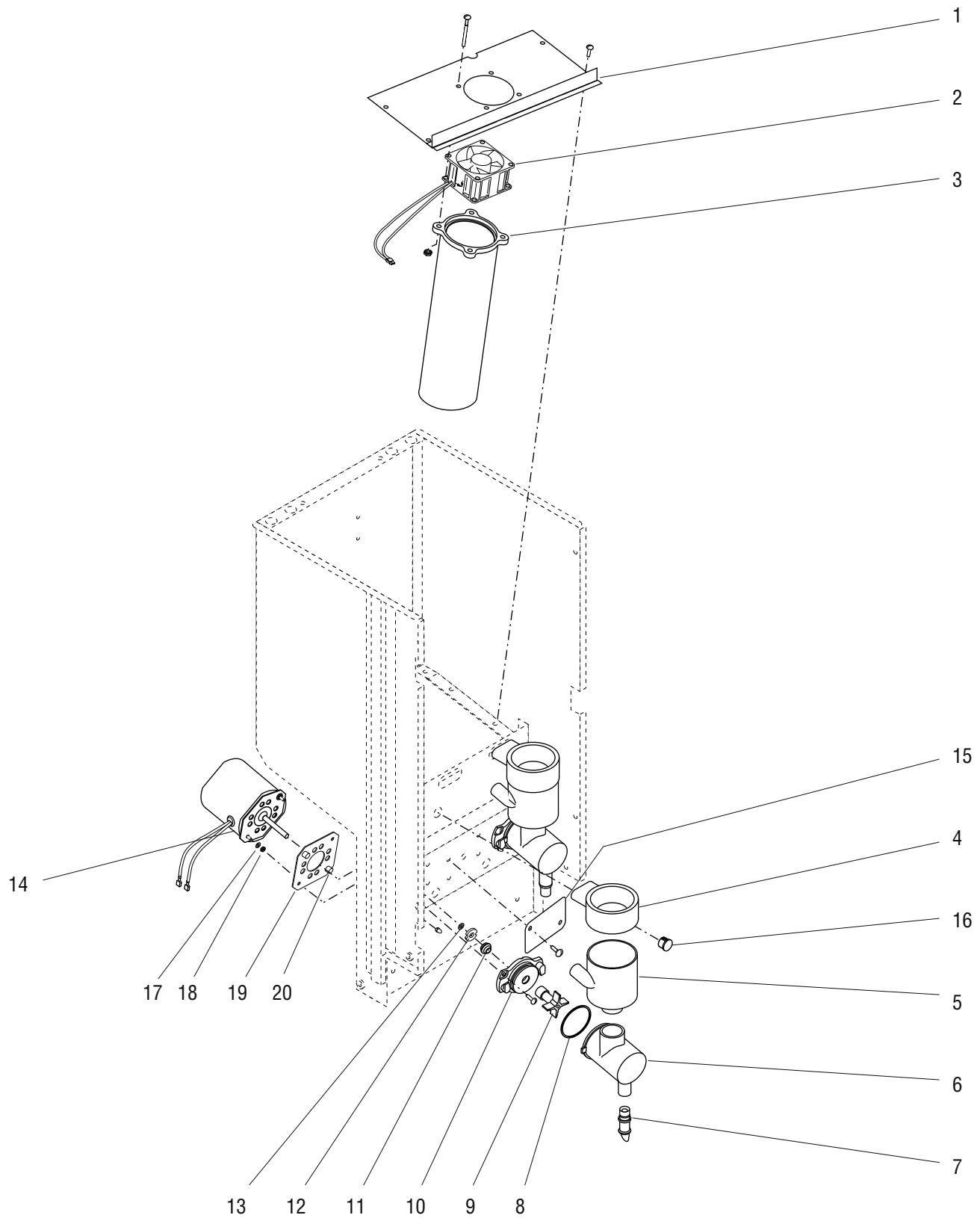
Includes items 11  
& 1 of item 12

Not  
illustrated



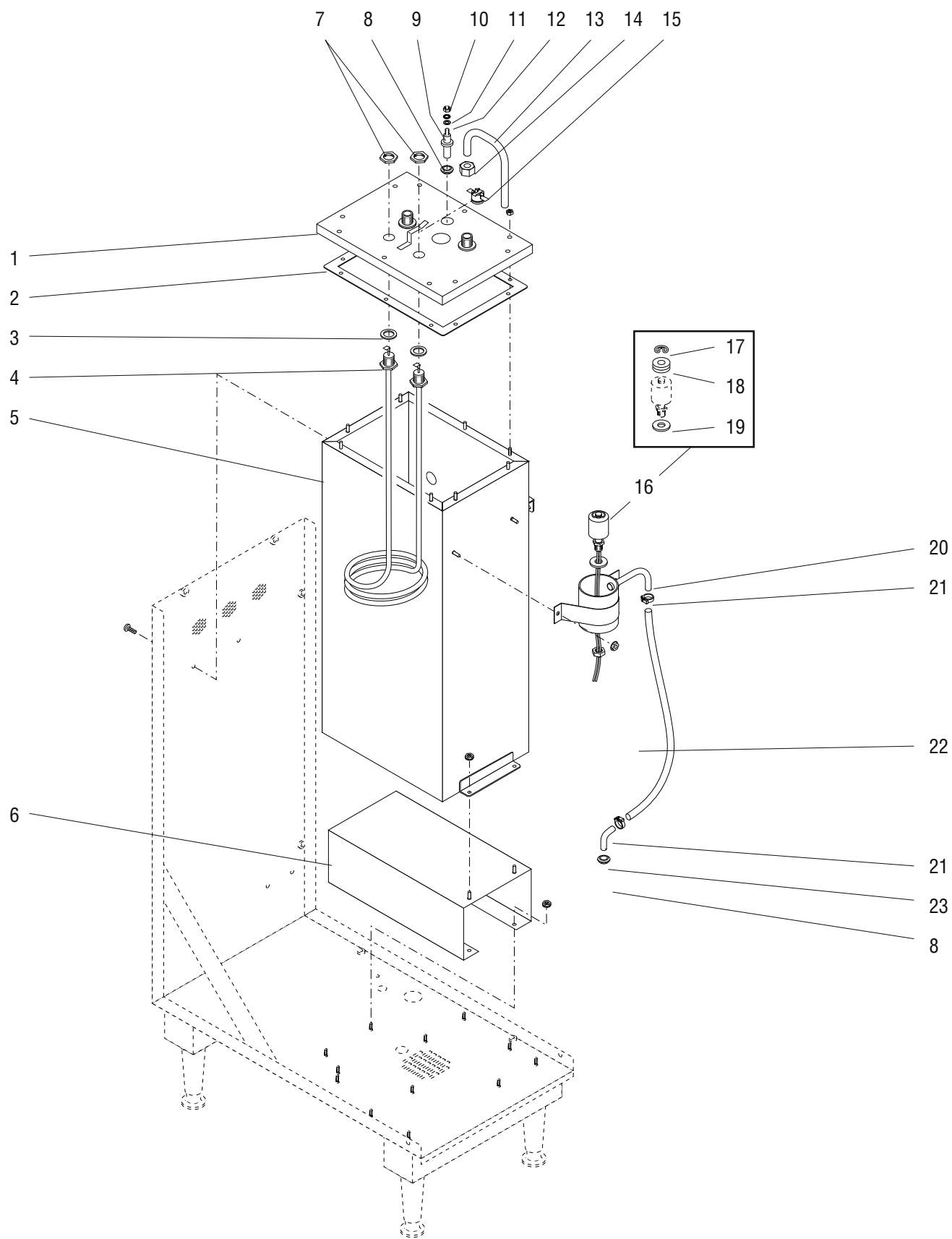
## AUGER DRIVE AND HOPPER ASSEMBLY

| ITEM | PART NO.   | QTY. | DESCRIPTION   |                                 |
|------|------------|------|---|---------------------------------|
|      |            |      | * HC-2 Models   |                                 |
|      |            |      | ** HC-3 Models  |                                 |
|      |            | * ** |   |                                 |
| -    | 26126.1001 | 2 3  | Hopper Assy (22 Tooth Agitator Disk)                            | } (Includes items<br>1 thru 16) |
| -    | 26126.1000 | 2 3  | Hopper Assy (30 Tooth Agitator Disk)                            |                                 |
| -    | 26126.1002 | 2 3  | Hopper Assy (22 Tooth Agitator Disk) (Low Dispense)             |                                 |
| 1    | -----      | 1 1  | Lid, Hopper (Dispensers prior to #HC00039215. Order item 25)    |                                 |
|      | 28061.0000 | 1 1  | Lid, Hopper (Dispenser #HC00039215 and up)                      |                                 |
| 2    | 21358.0000 | 4 4  | Clip, Retainer  |                                 |
| 3    | 21357.0000 | 4 4  | Shaft, Wiper  |                                 |
| 4    | 26436.0000 | 1 1  | Rod, Agitator Support   |                                 |
| 5    | 26449.0000 | 1 1  | Spring  |                                 |
| 6    | 26441.0000 | 4 4  | Wire, Agitator  |                                 |
| 7    | 26435.0000 | 1 1  | Disk, Agitator (22 Teeth)                                       |                                 |
|      | 26435.0001 | 1 1  | Disk, Agitator (30 Teeth)                                       |                                 |
| 8    | 25742.0000 | 1 1  | Bushing, Auger Drive Shaft                                      |                                 |
| 9    | 21358.0000 | 1 1  | Clip, Retainer  |                                 |
| 10   | 26940.0000 | 1 1  | Shaft, Auger Drive  |                                 |
| 11   | -----      | 1 1  | Hopper (Dispensers prior to #HC00039215. Order item 25)         |                                 |
|      | 28065.0000 | 1 1  | Hopper (Dispenser #HC00039215 and up)                           |                                 |
| 12   | 26112.0001 | 1 1  | Auger, Wire (Use with 22 Tooth Disk)                            |                                 |
|      | 21355.0001 | 1 1  | Auger, Wire (Use with 30 Tooth Disk)                            |                                 |
|      | 26864.0000 | 1 1  | Auger, Wire (Use with 22 Tooth Disk) (Low Dispense)             |                                 |
| 13   | 25903.0000 | 1 1  | Elbow, Ejector  |                                 |
| 14   | 25744.0000 | 1 1  | Bracket, Auger Drive  |                                 |
| 15   | 21365.0000 | 1 1  | Washer, .31" I.D. x .56" O.D.                                   |                                 |
| 16   | 25743.0000 | 1 1  | Locknut   |                                 |
| 17   | 20960.0000 | 2 3  | Screw, Shoulder #6 - 32 x .375"                                 |                                 |
|      | 00991.0002 | 2 3  | Nut, Elastic Lock #6 - 32                                       |                                 |
| 18   | -----      | 1 1  | Panel, Hopper Support (Prior to January 1997. Order 27068.0001) |                                 |
|      | 27068.0001 | 1 1  | Panel, Hopper Support (Effective January 1997)                  |                                 |
|      | 01311.0000 | 4 4  | Screw, Truss Head #8 - 32 x .25"                                |                                 |
| 19   | 25794.0000 | 2 3  | Bracket, Motor Mounting   |                                 |
|      | 01311.0001 | 8 12 | Screw, Truss Head #8 - 32 x .25" Locking                        |                                 |
| 20   | 00620.0000 | 1 1  | Clamp, Cable  |                                 |
| 21   | 26754.0000 | 2 3  | Gearmotor W/Pin, Auger 120V (Includes item 23)                  |                                 |
|      | 26754.0001 | 2 3  | Gearmotor W/Pin, Auger 230V (Includes item 23)                  |                                 |
|      | 01311.0000 | 7 11 | Screw, Truss Head #8 - 32 x .25"                                |                                 |
|      | 01315.0000 | 1 1  | Screw, Truss Head #8 - 32 x .375"                               |                                 |
| 22   | 26401.0000 | 2 3  | Dust Seal, Hopper Motor   |                                 |
| 23   | 26247.0000 | 2 3  | Pin, Spring .094" Dia. x 1.0"                                   |                                 |
| 24   | 26496.0000 | 1 -  | Plate, Hopper Motor   |                                 |
|      | 00970.0000 | 2 -  | Nut, Keps #8 - 32   |                                 |
| 25   | 28110.0000 | - -  | Kit, Hopper (Includes items 1, 8 & 11)                          |                                 |



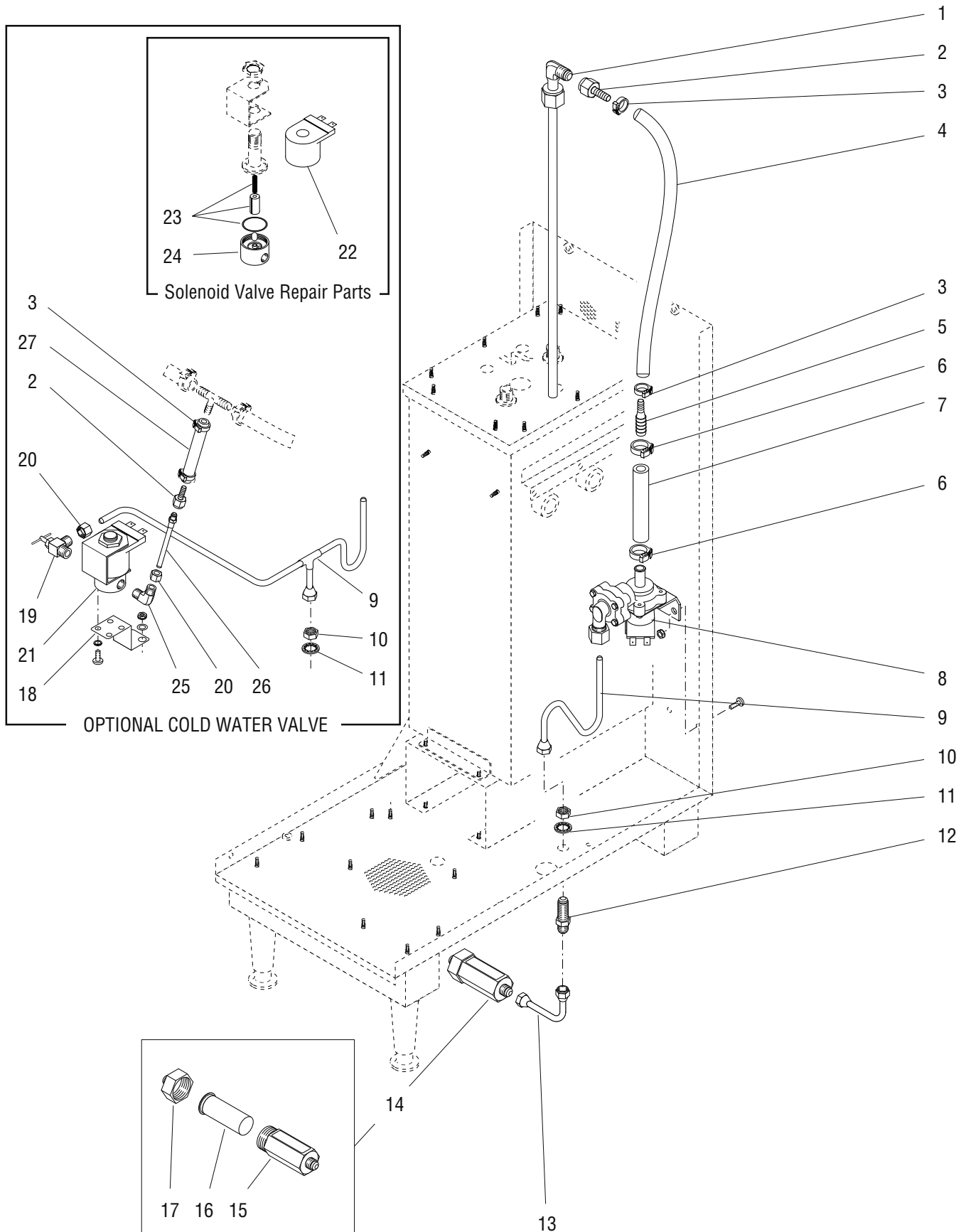
## MIXING/WHIPPER CHAMBERS AND DRIVE MOTOR

| ITEM | PART NO.   | QTY. |    | DESCRIPTION                                     |
|------|------------|------|----|---|
|      |            |      |    | * HC-2 Models                                   |
|      |            |      |    | ** HC-3 Models                                  |
|      |            | *    | ** |   |
| 1    | 26926.0000 | 1    | 1  | Plate, Fan Mounting                             |
|      | 01311.0001 | 4    | 4  | Screw, Locking Truss Head #8 - 32 x .25"        |
| 2    | 27539.0000 | 1    | 1  | Fan Assembly (120 VAC)                          |
| 3    | 26244.1001 | 1    | 1  | Tube, Exhaust                                   |
|      | 01384.0000 | 4    | 4  | Screw, Truss Head #8 - 32 x 1.50"               |
|      | 00970.0000 | 4    | 4  | Nut, Keps #8 - 32                               |
| 4    | 25732.0000 | 2    | 3  | Steam Collector                                 |
| 5    | 25733.0000 | 2    | 3  | Mixing Chamber                                  |
| 6    | 25734.0000 | 2    | 3  | Whipper Chamber                                 |
| 7    | 25736.0000 | 2    | 3  | Dispense Tip                                    |
| 8    | 24733.0010 | 2    | 3  | O-Ring  |
| 9    | 25902.0000 | 2    | 3  | Frother   |
| 10   | 26359.0000 | 2    | 3  | Receptacle, Whipper Chamber                     |
|      | 02328.0003 | 4    | 6  | Screw, Pan Head #6 - 32 x .312"                 |
| 11   | 26356.0000 | 2    | 3  | Seal, Shaft                                     |
| 12   | 26355.0000 | 2    | 3  | Washer, Teflon                                  |
| 13   | 24331.0000 | 2    | 3  | O-Ring  |
| 14   | 26393.1000 | 2    | 3  | Motor, Whipper 120V (Includes items 17,18 & 19) |
|      | 26393.1001 | 2    | 3  | Motor, Whipper 230V (Includes items 17,18 & 19) |
|      | 02324.0000 | 4    | 6  | Nut, Acorn - High Crown #8 - 32                 |
| 15   | 26493.0000 | 1    | -  | Plate, Receptacle                               |
|      | 01308.0000 | 2    | -  | Screw, Truss Head #6 - 32 x .25"                |
| 16   | 00669.0002 | 1    | -  | Plug, Hole .50"                                 |
| 17   | 01522.0000 | 4    | 4  | Washer, Shimming (Use as required)              |
| 18   | 00908.0000 | 2    | 2  | Nut, Hex #8-32                                  |
| 19   | 34179.0000 | 2    | 3  | Plate (Includes item 20)                        |
| 20   | 32306.0000 | 4    | 6  | Spacer  |



## TANK, HEATER AND OVERFLOW PROTECTION

| ITEM | PART NO.   | QTY. | DESCRIPTION  |                   |
|------|------------|------|--|-------------------|
| 1    | 23199.0002 | 1    | Lid, Tank  |                   |
|      | 00908.0000 | 10   | Nut, Hex #8 - 32                                       |                   |
| 2    | 22978.0000 | 1    | Gasket, Tank Lid                                       |                   |
| 3    | 00943.0000 | 2    | Gasket, Tank Heater                                    |                   |
| 4    | 20201.4151 | 1    | Tank Heater Kit, 1700W 120V                            | } Includes item 3 |
|      | 20201.4150 | 1    | Tank Heater Kit, 1800W 120V                            |                   |
|      | 20201.0750 | 1    | Tank Heater Kit, 3500W 240V                            |                   |
| 5    | 24547.0001 | 1    | Tank   |                   |
|      | 00970.0000 | 2    | Nut, Keps #8 - 32                                      |                   |
|      | 02322.0002 | 2    | Screw, Truss Head #8 - 32 x .375" BLK                  |                   |
| 6    | 26636.0000 | 1    | Bracket, Tank Mounting                                 |                   |
|      | 00970.0000 | 2    | Nut, Keps #8 - 32                                      |                   |
| 7    | 00942.0000 | 2    | Nut, Hex .50" - 20                                     |                   |
| 8    | 02536.0000 | 2    | Grommet .375" I.D.                                     |                   |
| 9    | 26665.1000 | 1    | Probe Kit (Includes items 10, 11 & 12)                 |                   |
| 10   | 00908.0000 | 1    | Nut, Hex #8 - 32                                       |                   |
| 11   | 20203.0100 | 1    | Lockwasher, Internal Tooth #8                          |                   |
| 12   | 01501.0000 | 1    | Washer, Flat .16" I.D. x .375" O.D.                    |                   |
| 13   | 26503.0000 | 1    | Tube Assy, Overflow (Includes item 14)                 |                   |
| 14   | 00929.0001 | 1    | Nut/Sleeve, Compression .375" Tube                     |                   |
| 15   | 29329.1000 | 1    | Thermostat, Limit                                      |                   |
| 16   | 03803.0000 | 1    | Switch Assy, Liquid Level (Includes items 17, 18 & 19) |                   |
|      | 00946.0000 | 1    | Nut, Hex .125" FPT                                     |                   |
| 17   | 03807.0000 | 1    | Clip, Spring   |                   |
| 18   | -----      | 3    | Washer, Adjusting (DO NOT USE IN THIS APPLICATION)     |                   |
| 19   | 03633.0000 | 2    | Gasket, Float Switch (Only 1 used in this application) |                   |
| 20   | 12552.0000 | 1    | Overflow Cup   |                   |
|      | 00908.0000 | 2    | Nut, Hex #8 - 32                                       |                   |
| 21   | 12422.0000 | 2    | Clamp, Hose .47"/.54" I.D.                             |                   |
| 22   | -----      | 1    | Tube, Silicone .312" I.D. x 17.00" (Order item 25)     |                   |
| 23   | 21801.0002 | 1    | Tube .375" O.D. x 1.50"                                |                   |
| 24   | 01570.0000 | 2    | Wire Nut 2 - 24 AWG                                    |                   |
| 25   | 03236.1001 | -    | Tube, Silicone .312" I.D. x 36.00"                     | } Not illustrated |
|      | 03236.1002 | -    | Tube, Silicone .312" I.D. x 120.00"                    |                   |
|      | 03236.1003 | -    | Tube, Silicone .312" I.D. x 60.00"                     |                   |



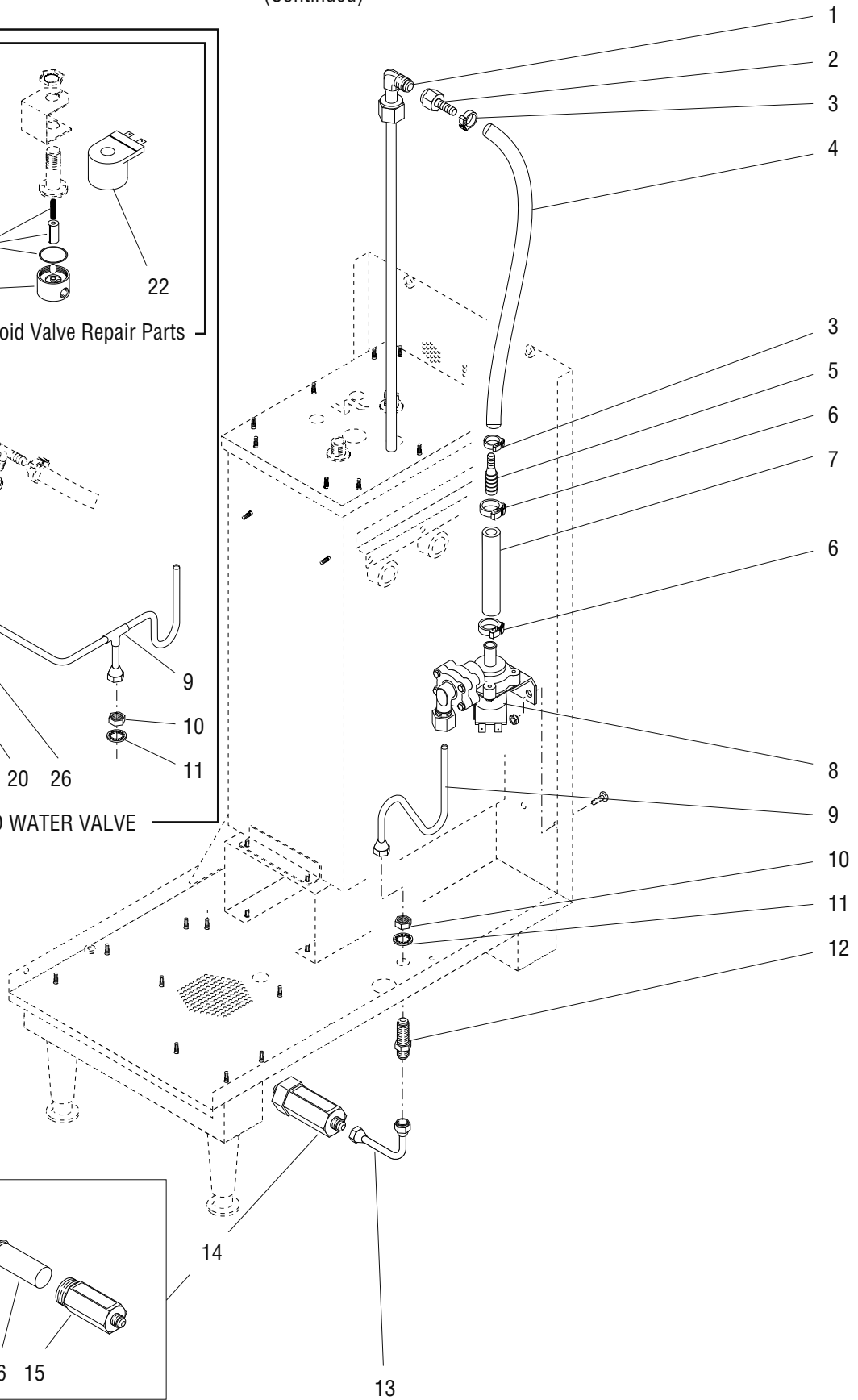
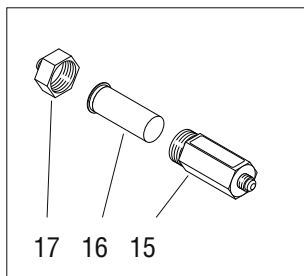
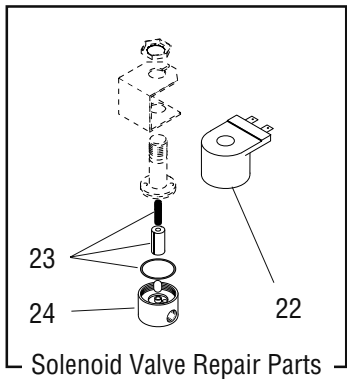
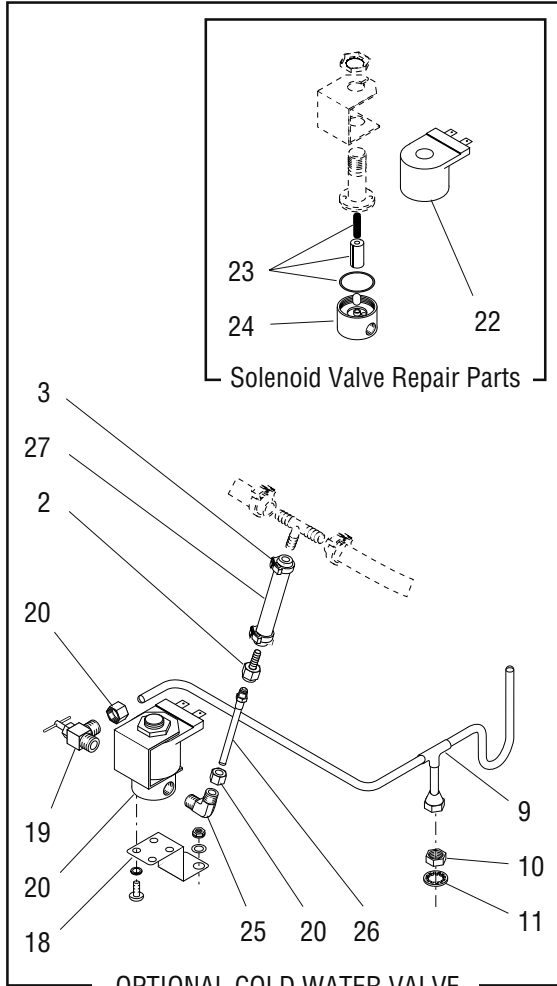


## STRAINER, SOLENOID, FILL VALVE AND LINES

| ITEM | PART NO.   | QTY. | DESCRIPTION   |                                       |
|------|------------|------|---|---------------------------------------|
| 1    | 20202.0100 | 1    | Tube, Tank Fill   |                                       |
| 2    | 00425.0000 | 1    | Fitting .25" Flare Nut x .25" Barb (1 additional used on models with cold water valve option) |                                       |
| 3    | 12422.0000 | 2    | Clamp, Hose .47"/.54" I.D. (2 additional used on models with cold water valve option)         |                                       |
| 4    | -----      | 1    | Tube, Silicone .25" I.D. x .50" O.D. x 13.0" (Order item 28)                                  |                                       |
| 5    | 26443.0000 | 1    | Reducer Barb .375" x .25"   |                                       |
| 6    | 12422.0001 | 2    | Clamp, Hose .59"/.66" I.D.  |                                       |
| 7    | -----      | 1    | Tube, Silicone .375" I.D. x .625" O.D. x 6.0" (Order item 29)                                 |                                       |
| 8    | 26135.0001 | 1    | Valve Assy, Solenoid 120V (Serviced only as an assembly)                                      | } Also see item 30                    |
|      | 26135.0002 | 1    | Valve Assy, Solenoid 240V (Serviced only as an assembly)                                      |                                       |
|      | 02331.0001 | 2    | Screw, Truss Head #10 - 32  |                                       |
|      | 00971.0000 | 2    | Nut, Keps #10 - 32  |                                       |
| 9    | 26661.0000 | 1    | Tube Assy, Water Inlet (Models without Cold Water Valve Option)                               | } Also see item 30                    |
|      | 27703.0000 | 1    | Tube Assy, Water Inlet (Includes 1 of item 20) (Models W/Cold Water Valve Option)             |                                       |
| 10   | 00463.0000 | 1    | Nut, Hex .438" - 20   |                                       |
| 11   | 01532.0000 | 1    | Lockwasher, Internal Tooth .438"  |                                       |
| 12   | 00459.0000 | 1    | Fitting, Bulkhead   |                                       |
| 13   | 21814.0016 | 1    | Tube Assy   |                                       |
| 14   | 23820.1000 | 1    | Water Strainer Assy (Includes item 15 thru 17)  |                                       |
| 15   | -----      | 1    | Body (Not available order item 14)  |                                       |
| 16   | 23721.0000 | 1    | Screen  |                                       |
| 17   | 22249.0000 | 1    | End Cap   |                                       |
| 18   | 02530.0000 | 1    | Bracket, Solenoid Mounting  | } Models with Cold Water Valve Option |
|      | 01522.0000 | 2    | Washer, Flat .203" I.D. x .50" O.D.   |                                       |
|      | 00970.0000 | 2    | Nut, Keps #8 - 32   |                                       |
| 19   | 00408.0001 | 1    | Valve, Needle .25" Tube (Includes 1 of item 20)   |                                       |
| 20   | 00443.0000 | 2    | Nut/Sleeve, Compression .25" Tube   |                                       |
| 21   | 01085.0000 | 1    | Solenoid Valve Assy, 120V   | } Solenoid Valve Repair Parts         |
|      | 01975.0000 | 1    | Solenoid Valve Assy, 240V   |                                       |
|      | 02331.0000 | 2    | Screw, Truss Head #10 - 32 x .375"  |                                       |
|      | 01502.0000 | 2    | Lockwasher, Split #10   |                                       |
| 22   | 01101.0000 | 1    | Solenoid Valve Coil, 120V   | } Solenoid Valve Repair Parts         |
|      | 01100.0000 | 1    | Solenoid Valve Coil, 240V   |                                       |
| 23   | 01111.0000 | 1    | Solenoid Valve Repair kit   |                                       |
| 24   | 01079.0000 | 1    | Solenoid Valve Base   |                                       |

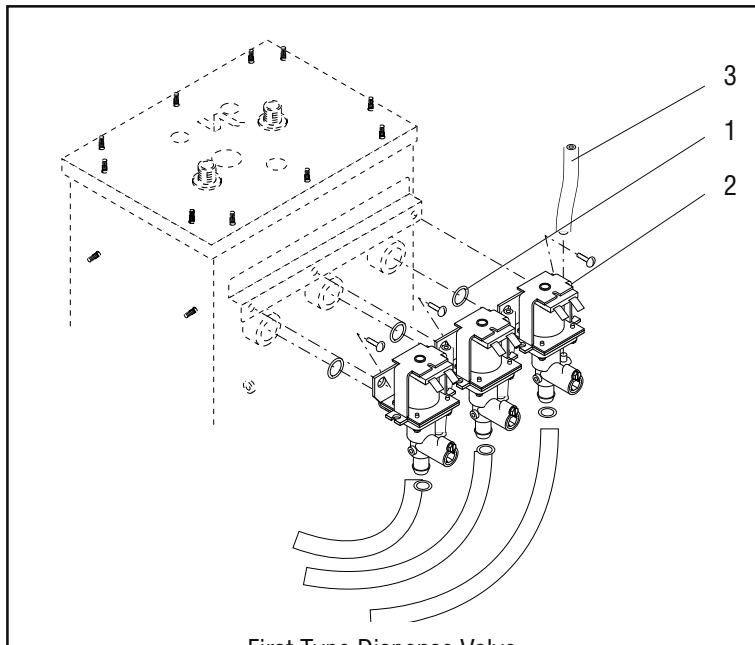
(Continued)

(Continued)

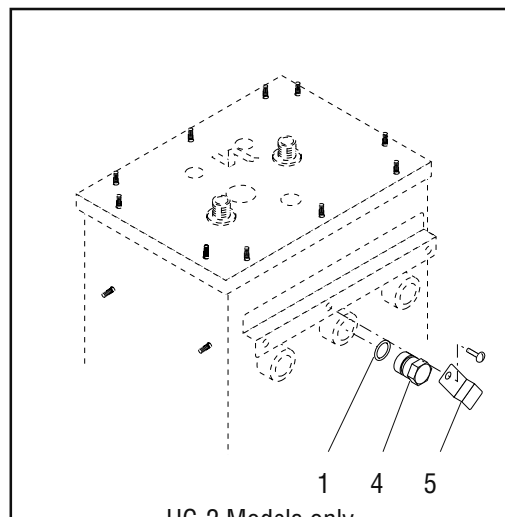


## STRAINER, SOLENOID, FILL VALVE AND LINES

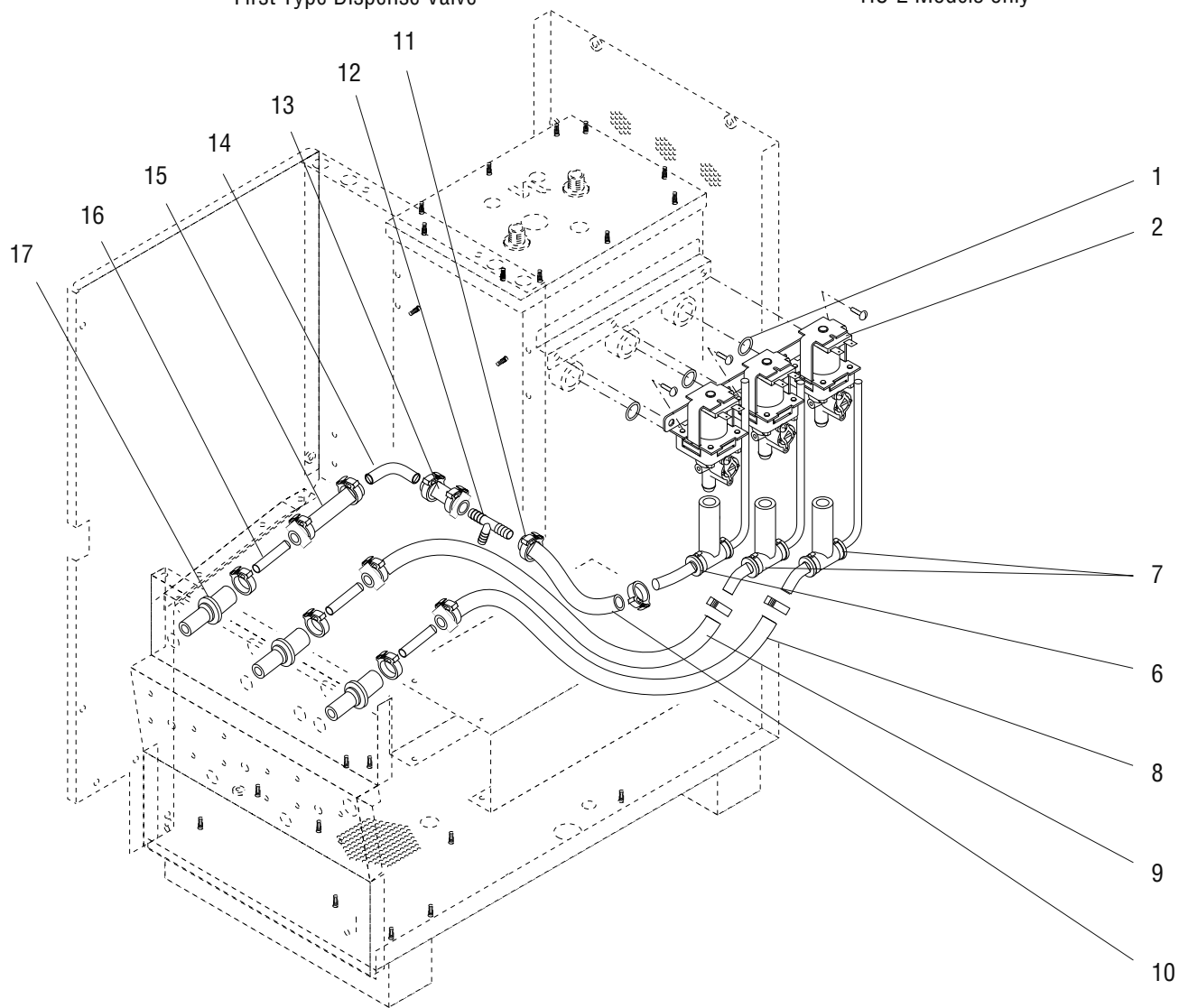
| ITEM | PART NO.   | QTY. | DESCRIPTION   |                                       |
|------|------------|------|---|---------------------------------------|
| 25   | 00465.0001 | 1    | Elbow Assy, .25" Tube x .125" MPT (Includes 1 of item 20)                               | } Models with Cold Water Valve Option |
| 26   | 26748.0000 | 1    | Tube Assy, Water Outlet (Includes 1 of item 20)   |                                       |
| 27   | -----      | 1    | Tube, Silicone .25" I.D. x 5.25" (Order item 28)  |                                       |
| 28   | 11707.1000 | -    | Tube, Silicone .25" I.D. x .50" O.D. x 12.0"  |                                       |
|      | 11707.1001 | -    | Tube, Silicone .25" I.D. x .50" O.D. x 36.0"  |                                       |
|      | 11707.1002 | -    | Tube, Silicone .25" I.D. x .50" O.D. x 120.0"   |                                       |
| 29   | 20976.1000 | -    | Tube, Silicone .375" I.D. x .625" O.D. x 12.0"  |                                       |
|      | 20976.1001 | -    | Tube, Silicone .375" I.D. x .625" O.D. x 36.0"  |                                       |
|      | 20976.1002 | -    | Tube, Silicone .375" I.D. x .625" O.D. x 120.0"   |                                       |
| 30   | 26131.0000 | -    | Kit, Nut/O-ring (Includes nut, spacer, grab ring, washer & 2 o-rings) (Not illustrated) |                                       |



First Type Dispense Valve

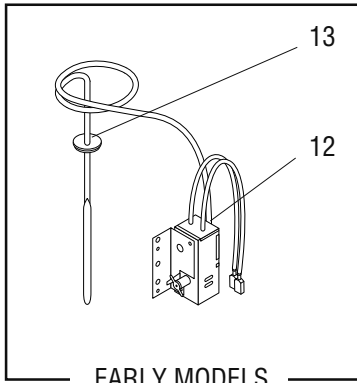


HC-2 Models only

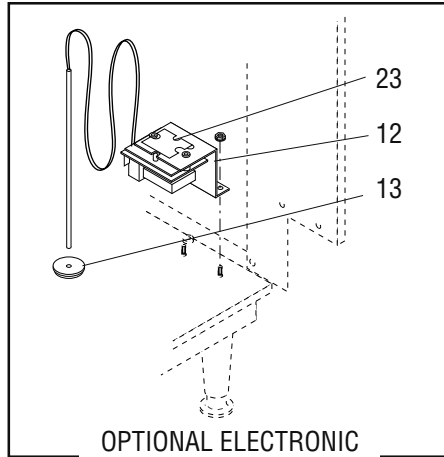


## DISPENSE VALVES AND LINES

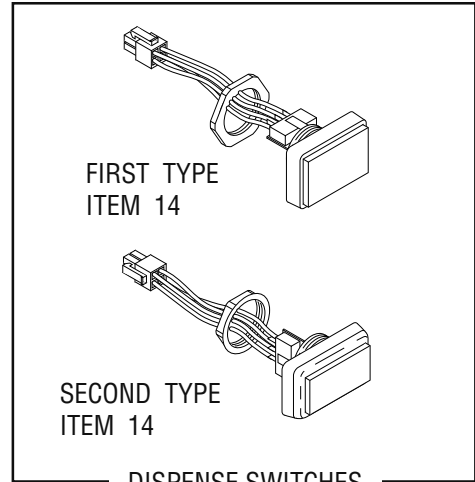
| ITEM | PART NO.   | QTY. |    | DESCRIPTION   |
|------|------------|------|----|---|
|      |            |      |    | * HC-2 Models<br>** HC-3 Models   |
|      |            | *    | ** |   |
| 1    | 24733.0011 | 3    | 3  | O-Ring  |
| 2    | -----      | 2    | 3  | Valve, Liquid Dispense (First type. Not available order item19)   |
|      | 26116.0000 | 2    | 3  | Valve, Liquid Dispense 120V (Available only as an assembly)   |
|      | 26116.0001 | 2    | 3  | Valve, Liquid Dispense 240V (Available only as an assembly)   |
|      | 02331.0000 | 2    | 3  | Screw, Truss Head #10 - 32 x .375"  |
|      |            |      |    | } Second type   |
| 3    | 27707.0000 | 2    | 3  | Tube, Vent .25" O.D. x 3.0" (Used with first type valves only)  |
| 4    | 26369.0000 | 1    | -  | Plug, O-Ring  |
| 5    | 26395.0000 | 1    | -  | Retainer, Plug  |
|      | 02331.0000 | 1    | -  | Screw, Truss Head #10 - 32 x .375"  |
| 6    | 27066.1000 | 1    | 1  | Tee/Tube Assy (Left)  |
| 7    | 27066.1001 | 1    | 2  | Tee/Tube Assy (Right or center)   |
|      |            |      |    | } Used with second type valves  |
| 8    | -----      | 1    | 1  | Tube, Silicone .375" I.D. x .625" O.D. x 15.6" (Order item 18)  |
| 9    | -----      | -    | 1  | Tube, Silicone .375" I.D. x .625" O.D. x 15.4" (Order item 18)  |
| 10   | -----      | 1    | 1  | Tube, Silicone .375" I.D. x .625" O.D. x 8.9" (Order item 18) (Models without Cold Water Valve Option)  |
|      | -----      | 1    | 1  | Tube, Silicone .375" I.D. x .625" O.D. x 5.25" (Order item 18) (Models with Cold Water Valve Option)    |
| 11   | 12422.0001 | 9    | 11 | Clamp, Hose .59"/.66" I.D. (2 additional required on models with Cold Water Valve Option)               |
| 12   | 26442.0000 | 1    | 1  | Tee, Hose Barb .375" x .375" x .25"   |
| 13   | -----      | -    | 1  | Tube, Silicone .375" I.D. x .625" O.D. x 2.0" (Order item 18)   |
|      |            |      |    | } Models with Cold Water Valve Option   |
| 14   | 03102.0000 | 1    | 1  | Elbow, 90° .375" Tube 1.0" x 1.0"   |
| 15   | -----      | 1    | 1  | Tube, Silicone .375" I.D. x .625" O.D. x 7.10" (Order item 18)  |
| 16   | 21801.0002 | 2    | 3  | Tube, .375" O.D. x 1.50"  |
| 17   | 25803.0000 | 2    | 3  | Water Inlet, Mixing Chamber   |
| 18   | 20976.1000 | -    | -  | Tube, Silicone .375" I.D. x .625" O.D. x 12.0"  |
|      | 20976.1001 | -    | -  | Tube, Silicone .375" I.D. x .625" O.D. x 36.0"  |
|      | 20976.1002 | -    | -  | Tube, Silicone .375" I.D. x .625" O.D. x 120.0"   |
| 19   | 27735.0002 | 1    | -  | Kit, Dispense Valve Replacement (Includes items 6, 7 and 2 each of items 1, 2 & 11)                     |
|      | 27735.0003 | -    | 1  | Kit, Dispense Valve Replacement (Includes item 6, 2 of item 7 and 3 each of items 1, 2 & 11)            |
| 20   | 28187.0000 | 1    | 1  | Kit, Dispense Valve Diaphragm (Includes 1 each of First Type & Second Type Diaphragm) (Not illustrated) |



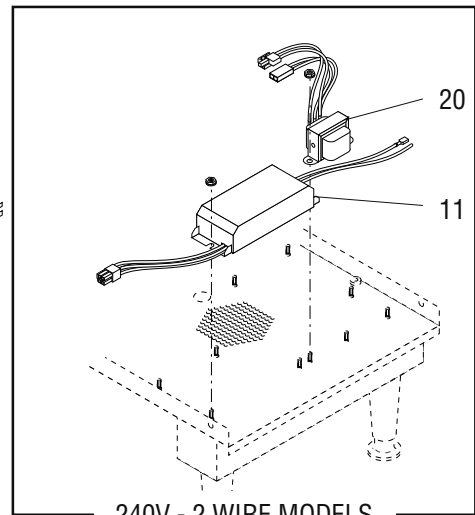
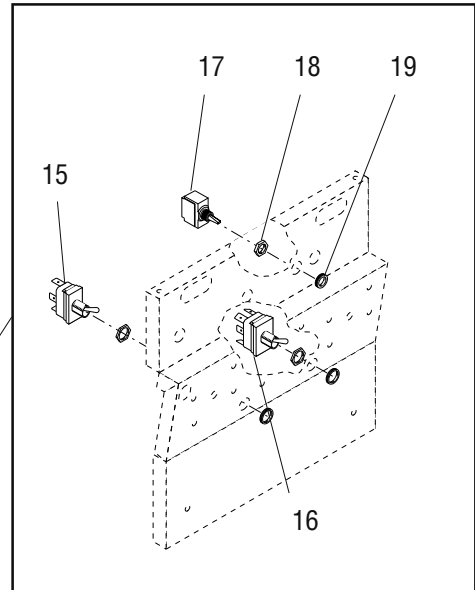
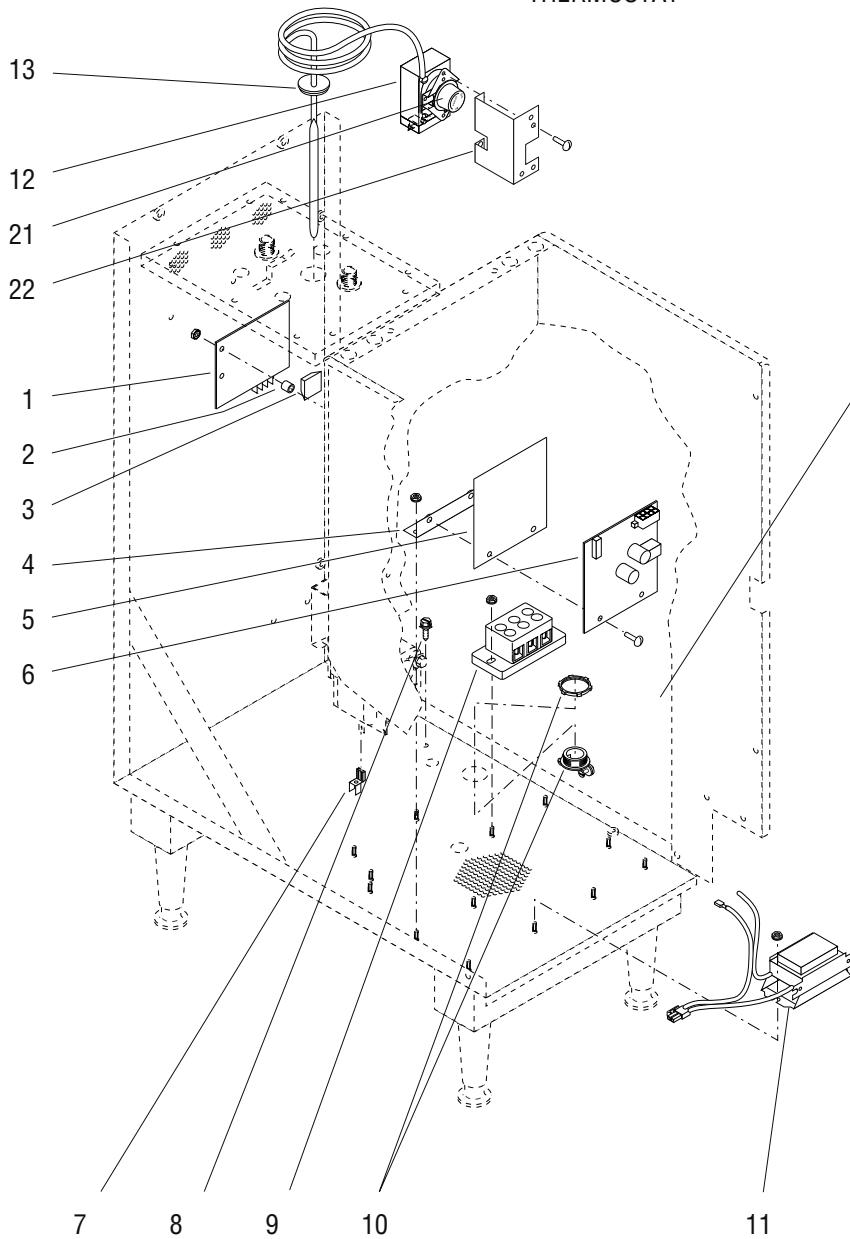
EARLY MODELS



OPTIONAL ELECTRONIC THERMOSTAT



DISPENSE SWITCHES



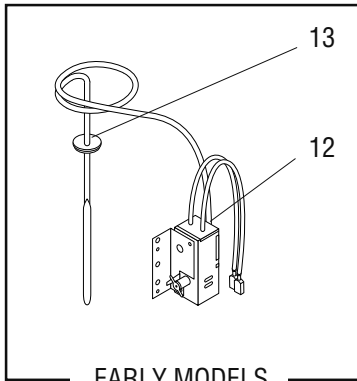
240V - 2 WIRE MODELS

## ELECTRICAL CONTROLS

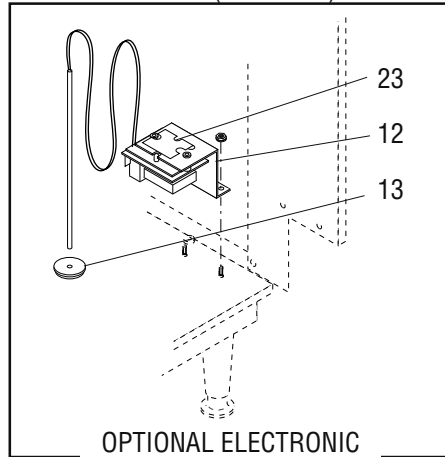
| ITEM | PART NO.   | QTY. | DESCRIPTION  |                                   |
|------|------------|------|--|-----------------------------------|
| 1    | 07074.1000 | 1    | Control Board, Level - 120V 5 SEC  |                                   |
|      | 00970.0000 | 2    | Nut, Keps #8 - 32  |                                   |
| 2    | 00450.0000 | 2    | Spacer .219" I.D. x .34" LG  |                                   |
| 3    | 02547.0000 | 1    | Foot, Rubber   |                                   |
| 4    | 26663.0000 | 1    | Bracket, Circuit Board Mounting  |                                   |
|      | 00970.0000 | 2    | Nut, Keps #8 - 32  |                                   |
| 5    | 27477.0000 | 1    | Shield, Circuit Board  |                                   |
| 6    | 28337.0000 | 1    | Circuit Board, Hopper Delay 120V   |                                   |
|      | 28337.0001 | 1    | Circuit Board, Hopper Delay 240V   |                                   |
|      | 01311.0000 | 2    | Screw, Truss Head #8 - 32 x .25"   |                                   |
| 7    | 04502.0000 | -    | Connector, Terminal (Use as required)  |                                   |
| 8    | 01309.0000 | 1    | Ground Screw W/Terminal Washer #10 - 32 x .50"   |                                   |
| 9    | 01106.0000 | 1    | Terminal Block, 2 Pole WHT/BLK   |                                   |
|      | 07038.0000 | 1    | Terminal Block, 3 Pole - RED/WHT/BLK (Shown)   |                                   |
|      | 00970.0000 | 2    | Nut, Keps #8 - 32  |                                   |
| 10   | 01685.0000 | 1    | Connector, Cord  |                                   |
| 11   | 27553.0000 | 1    | Ballast, 120V-60HZ W/Terminals   |                                   |
|      | 27753.0000 | 1    | Ballast, 240V-50HZ W/Terminals   |                                   |
|      | 00970.0000 | 2    | Nut, Keps #8 - 32  |                                   |
| 12   | 28239.0000 | 1    | Thermostat Kit, Mechanical 120V (Late Models) (Also replaces early model thermostat)           | Models W/Mechanical<br>Thermostat |
|      | 01310.0000 | 2    | Screw, Truss Head #6-32 x .25"   |                                   |
|      | 26527.1002 | 1    | Thermostat/Bracket Assembly, Electronic 120V (Includes item 23)                                | Models W/Electronic<br>Thermostat |
|      | 00970.0000 | 2    | Nut, Keps #8 - 32  |                                   |
| 13   | 07073.0000 | 1    | Grommet (Models with Mechanical Thermostat)  |                                   |
|      | 12570.0000 | 1    | Grommet (Models with Electronic Thermostat)  |                                   |
| 14   | 26559.0001 | 3    | Switch Assembly W/Terminals (Includes mounting nut) (1 less used on HC-2 Models) (First Type)  |                                   |
|      | 28044.0000 | 3    | Switch Assembly W/Terminals (Includes mounting nut) (1 less used on HC-2 Models) (Second Type) |                                   |
| 15   | 05761.0000 | 1    | Switch, Toggle ON/ON SPDT (Includes mounting nuts) (Models with Cold Water Valve Option only)  |                                   |
| 16   | 05762.0000 | 1    | Switch, Toggle ON/ON DPDT (Includes mounting nuts)   |                                   |
| 17   | 23522.0000 | 1    | Switch, Toggle ON/OFF-Tank Heater (Includes item 18, also order item 19)                       |                                   |
| 18   | 23696.0000 | 1    | Nut, Hex .469" - 32  |                                   |
| 19   | 23697.0000 | 1    | Nut, Plastic Face .469" - 32   |                                   |
| 20   | 27756.0000 | 1    | Transformer, 230/115V (240V models only)   |                                   |
|      | 00970.0000 | 2    | Nut, Keps #8 - 32  |                                   |
| 21   | 00720.0000 | 1    | Knob, Thermostat (Late Models)   |                                   |

(Continued)

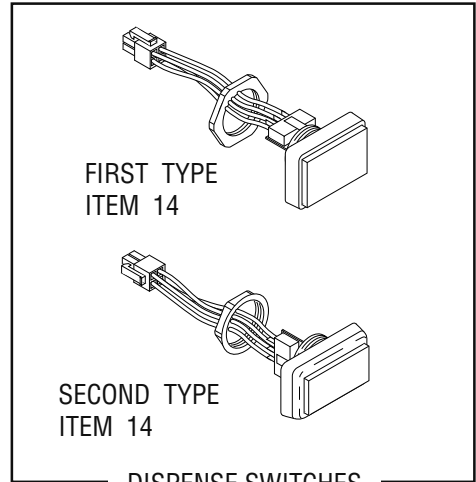
(Continued)



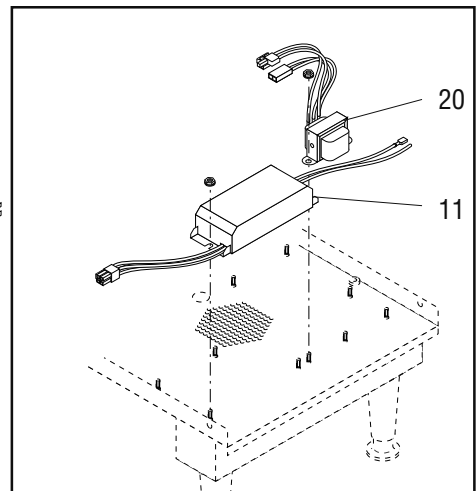
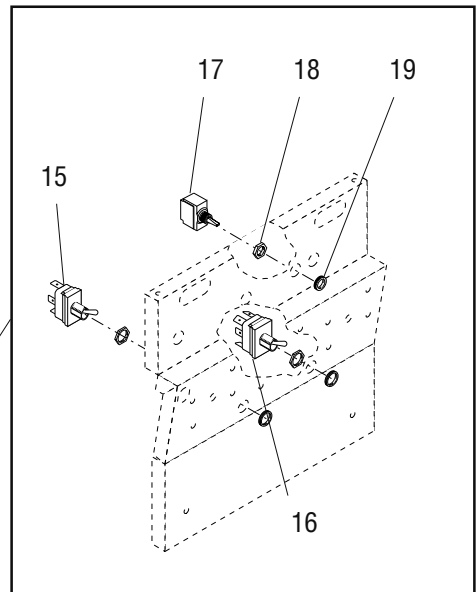
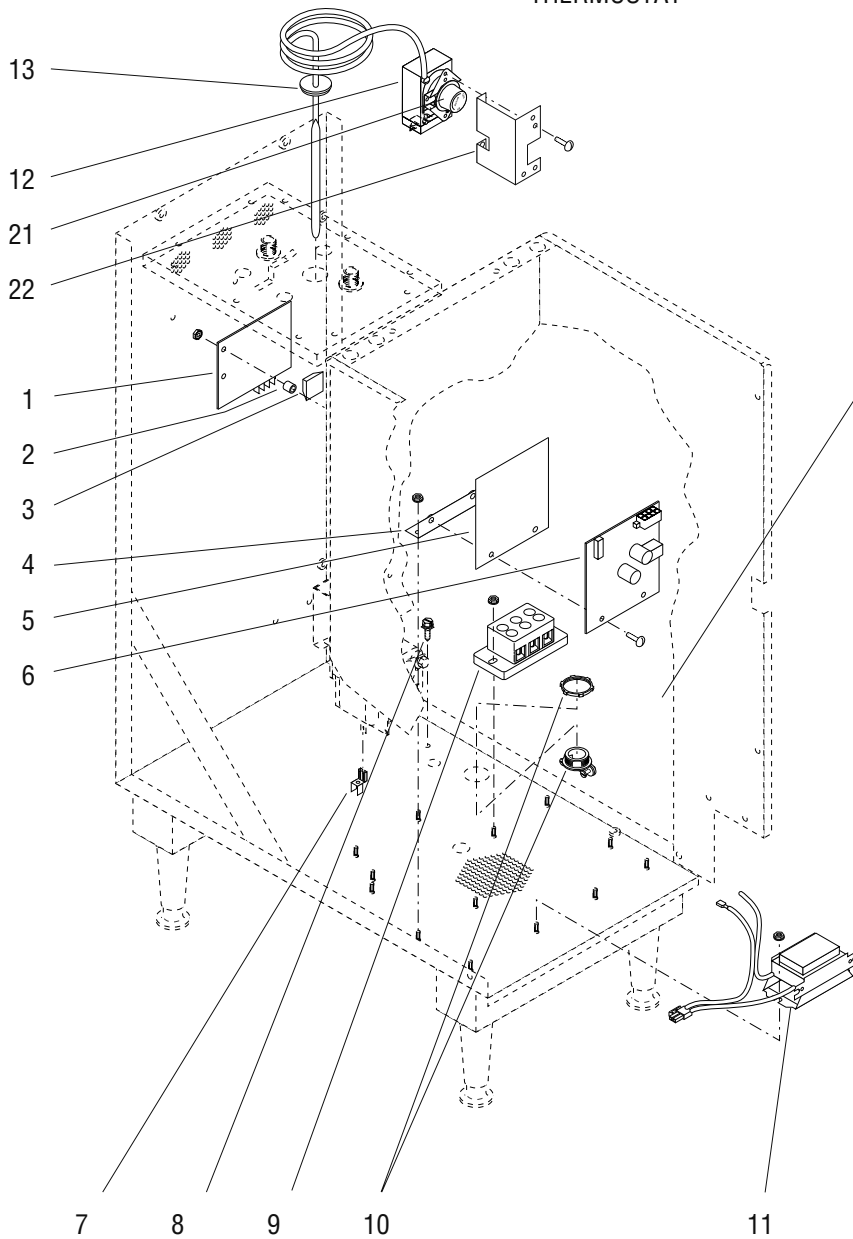
EARLY MODELS



OPTIONAL ELECTRONIC THERMOSTAT



DISPENSE SWITCHES



240V - 2 WIRE MODELS

P1225.50



## ELECTRICAL CONTROLS

| ITEM | PART NO.   | QTY. | DESCRIPTION  |                   |
|------|------------|------|--|-------------------|
| 22   | 28195.0000 | 1    | Bracket, Thermostat Mounting   |                   |
| 23   | 26536.0000 | 1    | Decal, Thermostat Adjustment   |                   |
| 24   | 01713.1000 | 1    | Cord Assembly, Power (120V 15Amp Models only)  | } Not illustrated |
|      | 23799.0001 | 1    | Cord Assembly, Power (120V 20Amp Models only)  |                   |
| 25   | 27582.0000 | 1    | Wiring Harness, Control - 120V   |                   |
|      | 27582.0001 | 1    | Wiring Harness, Control - 120/240V   |                   |
|      | 27582.0002 | 1    | Wiring Harness, Control - 120V   |                   |
|      | 27582.0003 | 1    | Wiring Harness, Control - 120/240V   |                   |
| 26   | -----      | 1    | Wiring Harness, Door (See Door, Lamps and Panels)  |                   |
| 27   | 26666.0000 | 1    | Wiring Harness, Hopper Delay   |                   |
| 28   | 27605.0000 | 1    | Wiring Harness, Cold Water (Models W/Cold Water Valve Option)  |                   |
| 29   | 25347.0001 | 1    | Wiring Harness, Thermostat (Late Models)   |                   |
| 30   | 05920.0000 | 1    | Clamp, Cable .250" I.D.  |                   |
|      | 00908.0000 | 1    | Nut, Hex #8-32   |                   |
| 31   | 28045.0000 | -    | Kit, Dispense Switch ( Converts first type Dispense Switches to second type) (Includes 3 of item 14) |                   |

NUMERICAL INDEX

| PART NO.   | PAGE NO.         | PART NO.   | PAGE NO. | PART NO.   | PAGE NO. | PART NO.   | PAGE NO. |
|------------|------------------|------------|----------|------------|----------|------------|----------|
| 00408.0001 | 17               | 02547.0000 | 23       | 24733.0010 | 13       | 26520.0000 | 9        |
| 00425.0000 | 17               | 03102.0000 | 21       | 24733.0011 | 21       | 26520.0001 | 9        |
| 00443.0000 | 17               | 03236.1001 | 15       | 25347.0001 | 25       | 26522.0000 | 5        |
| 00450.0000 | 23               | 03236.1002 | 15       | 25414.0000 | 5        | 26523.0000 | 5        |
| 00459.0000 | 17               | 03236.1003 | 15       | 25414.0002 | 5        | 26524.0000 | 5        |
| 00463.0000 | 17               | 03633.0000 | 15       | 25732.0000 | 13       | 26525.0000 | 9        |
| 00465.0001 | 19               | 03803.0000 | 15       | 25733.0000 | 13       | 26525.0002 | 9        |
| 00619.0005 | 5                | 03807.0000 | 15       | 25734.0000 | 13       | 26527.1002 | 23       |
| 00619.0011 | 7                | 03996.0000 | 7        | 25736.0000 | 13       | 26528.0000 | 7        |
| 00620.0000 | 11               | 04502.0000 | 23       | 25742.0000 | 11       | 26536.0000 | 25       |
| 00656.0000 | 7                | 05761.0000 | 23       | 25743.0000 | 11       | 26537.0000 | 9        |
| 00669.0002 | 13               | 05762.0000 | 23       | 25744.0000 | 11       | 26537.0001 | 9        |
| 00670.0000 | 5                | 05920.0000 | 25       | 25794.0000 | 11       | 26537.0003 | 9        |
| 00720.0000 | 25               | 07038.0000 | 23       | 25796.0000 | 5        | 26559.0001 | 23       |
| 00831.0000 | 7                | 07073.0000 | 23       | 25796.0002 | 5        | 26576.0000 | 5        |
| 00851.0000 | 9                | 07074.1000 | 23       | 25803.0000 | 21       | 26576.0002 | 5        |
| 00908.0000 | 13,15,25         | 11646.0000 | 9        | 25899.0000 | 9        | 26636.0000 | 15       |
| 00929.0001 | 15               | 11707.1000 | 19       | 25901.0000 | 5        | 26661.0000 | 17       |
| 00942.0000 | 15               | 11707.1001 | 19       | 25901.0002 | 5        | 26663.0000 | 23       |
| 00943.0000 | 15               | 11707.1002 | 19       | 25902.0000 | 13       | 26665.1000 | 15       |
| 00946.0000 | 15               | 12368.0002 | 5        | 25903.0000 | 11       | 26666.0000 | 25       |
| 00970.0000 | 9,13,11,15,17,23 | 12422.0000 | 15,17    | 26112.0001 | 11       | 26748.0000 | 19       |
| 00971.0000 | 17               | 12422.0001 | 17,21    | 26116.0000 | 21       | 26749.0000 | 5        |
| 00991.0002 | 11               | 12552.0000 | 15       | 26116.0001 | 21       | 26754.0000 | 11       |
| 01079.0000 | 17               | 12570.0000 | 23       | 26126.1000 | 11       | 26754.0001 | 11       |
| 01085.0000 | 17               | 13255.0003 | 7        | 26126.1001 | 11       | 26864.0000 | 11       |
| 01100.0000 | 17               | 20201.0750 | 15       | 26126.1002 | 11       | 26886.1000 | 7        |
| 01101.0000 | 17               | 20201.4150 | 15       | 26131.0000 | 19       | 26892.0000 | 9        |
| 01106.0000 | 23               | 20201.4151 | 15       | 26135.0001 | 17       | 26926.0000 | 13       |
| 01111.0000 | 17               | 20202.0100 | 17       | 26135.0002 | 17       | 26940.0000 | 11       |
| 01308.0000 | 13               | 20203.0100 | 15       | 26233.0000 | 5        | 27016.1000 | 7        |
| 01309.0000 | 23               | 20621.0000 | 7        | 26239.0000 | 9        | 27017.0000 | 5        |
| 01310.0000 | 23               | 20960.0000 | 11       | 26244.1001 | 13       | 27017.0001 | 5        |
| 01311.0000 | 5,7,9,11,23      | 20976.1000 | 19,21    | 26247.0000 | 11       | 27066.1000 | 21       |
| 01311.0001 | 5,11,13          | 20976.1001 | 19,21    | 26355.0000 | 13       | 27066.1001 | 21       |
| 01311.0003 | 5                | 20976.1002 | 19,21    | 26356.0000 | 13       | 27068.0001 | 11       |
| 01315.0000 | 11               | 21355.0001 | 11       | 26359.0000 | 13       | 27126.1000 | 9        |
| 01384.0000 | 13               | 21357.0000 | 11       | 26369.0000 | 21       | 27290.0000 | 5        |
| 01501.0000 | 15               | 21358.0000 | 11       | 26393.1000 | 13       | 27295.0000 | 9        |
| 01502.0000 | 17               | 21365.0000 | 11       | 26393.1001 | 13       | 27296.0000 | 9        |
| 01522.0000 | 13,17            | 21801.0002 | 15       | 26395.0000 | 21       | 27298.0000 | 5        |
| 01532.0000 | 17               | 21801.0002 | 21       | 26401.0000 | 11       | 27305.0000 | 5        |
| 01570.0000 | 15               | 21814.0016 | 17       | 26435.0000 | 11       | 27305.0002 | 5        |
| 01685.0000 | 23               | 22249.0000 | 17       | 26435.0001 | 11       | 27476.0000 | 7        |
| 01713.1000 | 25               | 22978.0000 | 15       | 26436.0000 | 11       | 27476.0002 | 7        |
| 01975.0000 | 17               | 23164.0001 | 5        | 26441.0000 | 11       | 27477.0000 | 23       |
| 02308.0000 | 5                | 23164.0002 | 7        | 26442.0000 | 21       | 27520.1001 | 9        |
| 02322.0002 | 15               | 23199.0002 | 15       | 26443.0000 | 17       | 27539.0000 | 13       |
| 02324.0000 | 13               | 23522.0000 | 23       | 26444.0000 | 9        | 27553.0000 | 23       |
| 02328.0002 | 9                | 23696.0000 | 23       | 26449.0000 | 11       | 27582.0000 | 25       |
| 02328.0003 | 13               | 23697.0000 | 23       | 26493.0000 | 13       | 27582.0001 | 25       |
| 02330.0001 | 9                | 23721.0000 | 17       | 26496.0000 | 11       | 27582.0002 | 25       |
| 02331.0000 | 5,17,21          | 23799.0001 | 25       | 26503.0000 | 15       | 27582.0003 | 25       |
| 02331.0001 | 5,17             | 23820.1000 | 17       | 26504.0000 | 5        | 27584.0000 | 9        |
| 02530.0000 | 17               | 24331.0000 | 13       | 26507.0001 | 9        | 27584.0001 | 9        |
| 02536.0000 | 15               | 24547.0001 | 15       | 26507.0002 | 9        | 27585.0000 | 9        |

NUMERICAL INDEX

| PART NO.   | PAGE NO. | PART NO. | PAGE NO. | PART NO. | PAGE NO. | PART NO. | PAGE NO. |
|------------|----------|----------|----------|----------|----------|----------|----------|
| 27586.0000 | 9        |          |          |          |          |          |          |
| 27587.0000 | 9        |          |          |          |          |          |          |
| 27593.0000 | 5        |          |          |          |          |          |          |
| 27593.0004 | 5        |          |          |          |          |          |          |
| 27597.0000 | 9        |          |          |          |          |          |          |
| 27602.1000 | 9        |          |          |          |          |          |          |
| 27604.0000 | 5        |          |          |          |          |          |          |
| 27604.0001 | 5        |          |          |          |          |          |          |
| 27605.0000 | 25       |          |          |          |          |          |          |
| 27619.0000 | 9        |          |          |          |          |          |          |
| 27620.0000 | 7        |          |          |          |          |          |          |
| 27673.0000 | 7        |          |          |          |          |          |          |
| 27673.0001 | 7        |          |          |          |          |          |          |
| 27674.0000 | 9        |          |          |          |          |          |          |
| 27674.0001 | 9        |          |          |          |          |          |          |
| 27675.0000 | 9        |          |          |          |          |          |          |
| 27703.0000 | 17       |          |          |          |          |          |          |
| 27707.0000 | 21       |          |          |          |          |          |          |
| 27734.0000 | 7        |          |          |          |          |          |          |
| 27735.0002 | 21       |          |          |          |          |          |          |
| 27735.0003 | 21       |          |          |          |          |          |          |
| 27753.0000 | 23       |          |          |          |          |          |          |
| 27756.0000 | 23       |          |          |          |          |          |          |
| 28044.0000 | 23       |          |          |          |          |          |          |
| 28045.0000 | 25       |          |          |          |          |          |          |
| 28061.0000 | 11       |          |          |          |          |          |          |
| 28065.0000 | 11       |          |          |          |          |          |          |
| 28110.0000 | 11       |          |          |          |          |          |          |
| 28187.0000 | 21       |          |          |          |          |          |          |
| 28195.0000 | 25       |          |          |          |          |          |          |
| 28239.0000 | 23       |          |          |          |          |          |          |
| 28267.0000 | 5        |          |          |          |          |          |          |
| 28337.0000 | 23       |          |          |          |          |          |          |
| 28337.0001 | 23       |          |          |          |          |          |          |
| 28699.0000 | 5        |          |          |          |          |          |          |
| 28701.0000 | 7        |          |          |          |          |          |          |
| 29329.1000 | 15       |          |          |          |          |          |          |
| 32306.0000 | 13       |          |          |          |          |          |          |
| 34179.0000 | 13       |          |          |          |          |          |          |