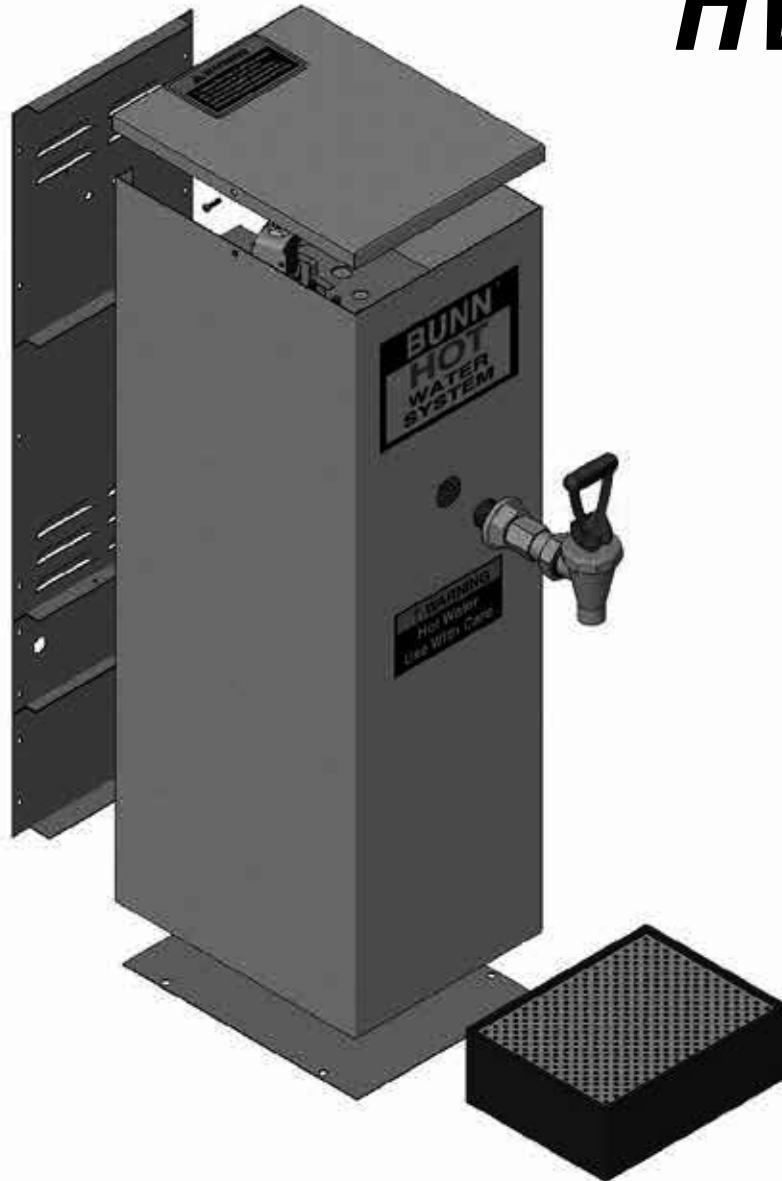


BUNN®

HW2 HW2A



ILLUSTRATED PARTS CATALOG

Designs, materials, weights, specifications, and dimensions for equipment or replacement parts are subject to change without notice.

BUNN-O-MATIC CORPORATION

POST OFFICE BOX 3227

SPRINGFIELD, ILLINOIS 62708-3227

PHONE: (217) 529-6601 FAX: (217) 529-6644



BUNN-O-MATIC COMMERCIAL PRODUCT WARRANTY

Bunn-O-Matic Corp. ("BUNN") warrants equipment manufactured by it as follows:

- 1) Airpots, thermal carafes, decanters, GPR servers, iced tea/coffee dispensers, MCP/MCA pod brewers thermal servers and Thermofresh servers (mechanical and digital)- 1 year parts and 1 year labor.
- 2) All other equipment - 2 years parts and 1 year labor plus added warranties as specified below:
 - a) Electronic circuit and/or control boards - parts and labor for 3 years.
 - b) Compressors on refrigeration equipment - 5 years parts and 1 year labor.
 - c) Grinding burrs on coffee grinding equipment to grind coffee to meet original factory screen sieve analysis - parts and labor for 4 years or 40,000 pounds of coffee, whichever comes first.

These warranty periods run from the date of installation BUNN warrants that the equipment manufactured by it will be commercially free of defects in material and workmanship existing at the time of manufacture and appearing within the applicable warranty period. This warranty does not apply to any equipment, component or part that was not manufactured by BUNN or that, in BUNN's judgment, has been affected by misuse, neglect, alteration, improper installation or operation, improper maintenance or repair, non periodic cleaning and descaling, equipment failures related to poor water quality, damage or casualty. In addition, the warranty does not apply to replacement of items subject to normal use including but not limited to user replaceable parts such as seals and gaskets. This warranty is conditioned on the Buyer 1) giving BUNN prompt notice of any claim to be made under this warranty by telephone at (217) 529-6601 or by writing to Post Office Box 3227, Springfield, Illinois 62708-3227; 2) if requested by BUNN, shipping the defective equipment prepaid to an authorized BUNN service location; and 3) receiving prior authorization from BUNN that the defective equipment is under warranty.

THE FOREGOING WARRANTY IS EXCLUSIVE AND IS IN LIEU OF ANY OTHER WARRANTY, WRITTEN OR ORAL, EXPRESS OR IMPLIED, INCLUDING, BUT NOT LIMITED TO, ANY IMPLIED WARRANTY OF EITHER MERCHANTABILITY OR FITNESS FOR A PARTICULAR PURPOSE. The agents, dealers or employees of BUNN are not authorized to make modifications to this warranty or to make additional warranties that are binding on BUNN. Accordingly, statements by such individuals, whether oral or written, do not constitute warranties and should not be relied upon.

If BUNN determines in its sole discretion that the equipment does not conform to the warranty, BUNN, at its exclusive option while the equipment is under warranty, shall either 1) provide at no charge replacement parts and/or labor (during the applicable parts and labor warranty periods specified above) to repair the defective components, provided that this repair is done by a BUNN Authorized Service Representative; or 2) shall replace the equipment or refund the purchase price for the equipment.

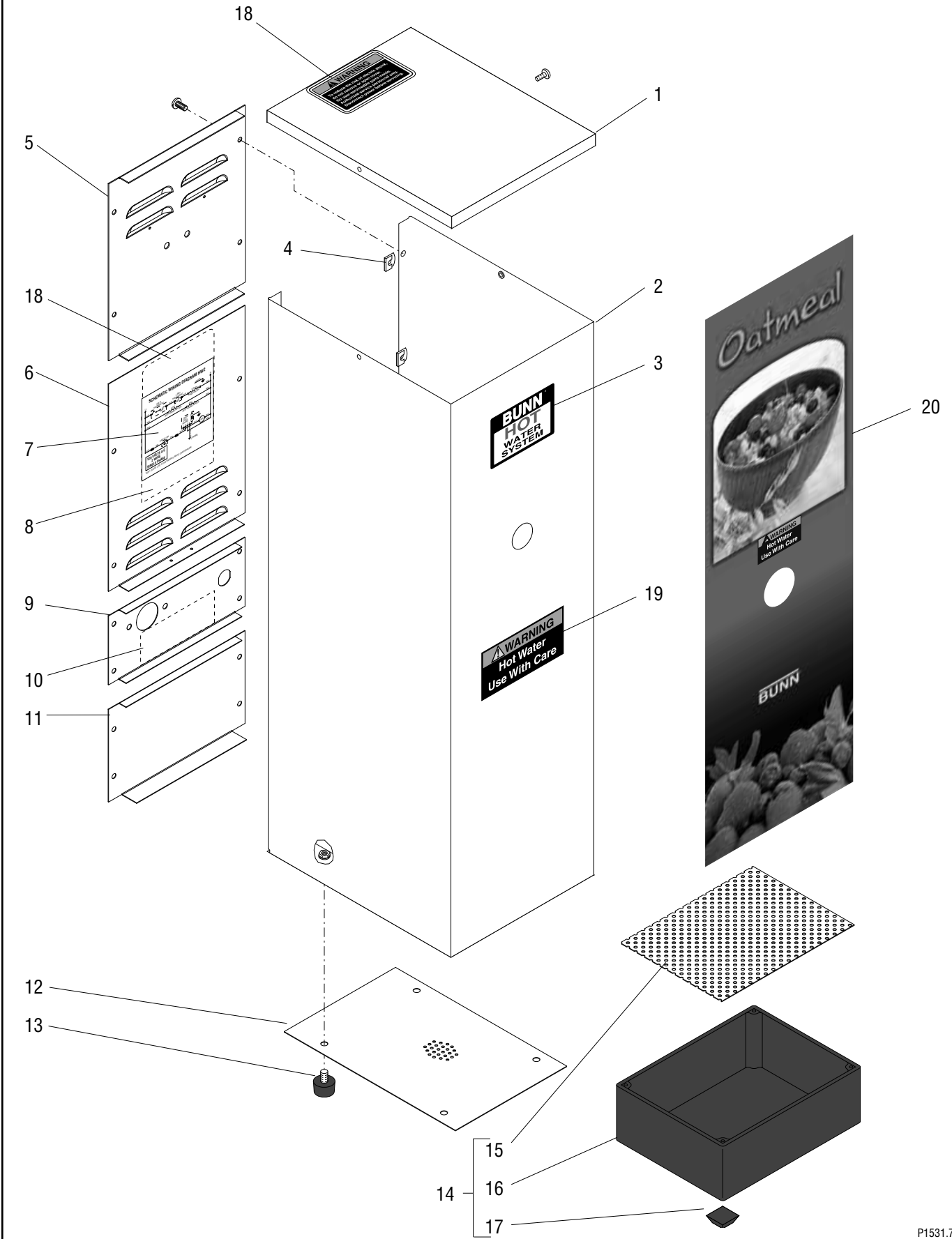
THE BUYER'S REMEDY AGAINST BUNN FOR THE BREACH OF ANY OBLIGATION ARISING OUT OF THE SALE OF THIS EQUIPMENT, WHETHER DERIVED FROM WARRANTY OR OTHERWISE, SHALL BE LIMITED, AT BUNN'S SOLE OPTION AS SPECIFIED HEREIN, TO REPAIR, REPLACEMENT OR REFUND.

In no event shall BUNN be liable for any other damage or loss, including, but not limited to, lost profits, lost sales, loss of use of equipment, claims of Buyer's customers, cost of capital, cost of down time, cost of substitute equipment, facilities or services, or any other special, incidental or consequential damages.

392, A Partner You Can Count On, Air Infusion, AutoPOD, AXIOM, BrewLOGIC, BrewMETER, Brew Better Not Bitter, BrewWISE, BrewWIZARD, BUNN Espresso, BUNN Family Gourmet, BUNN Gourmet, BUNN Pour-O-Matic, BUNN, BUNN with the stylized red line, BUNNlink, Bunn-O-Matic, Bunn-O-Matic, BUNNserve, BUNNSERVE with the stylized wrench design, Cool Froth, DBC, Dr. Brew stylized Dr. design, Dual, Easy Pour, EasyClear, EasyGard, FlavorGard, Gourmet Ice, Gourmet Juice, High Intensity, iMIX, Infusion Series, Intellisteam, My Café, Phase Brew, PowerLogic, Quality Beverage Equipment Worldwide, Respect Earth, Respect Earth with the stylized leaf and coffee cherry design, Safety-Fresh, savemycoffee.com, Scale-Pro, Silver Series, Single, Smart Funnel, Smart Hopper, SmartWAVE, Soft Heat, SplashGard, The Mark of Quality in Beverage Equipment Worldwide, ThermoFresh, Titan, trifecta, Velocity Brew, Air Brew, Beverage Bar Creator, Beverage Profit Calculator, Brew better, not bitter., BUNNSource, Coffee At Its Best, Cyclonic Heating System, Daypart, Digital Brewer Control, Element, Nothing Brews Like a BUNN, Pouring Profits, Signature Series, Tea At Its Best, The Horizontal Red Line, Ultra are either trademarks or registered trademarks of Bunn-O-Matic Corporation. The commercial trifecta® brewer housing configuration is a trademark of Bunn-O-Matic Corporation.

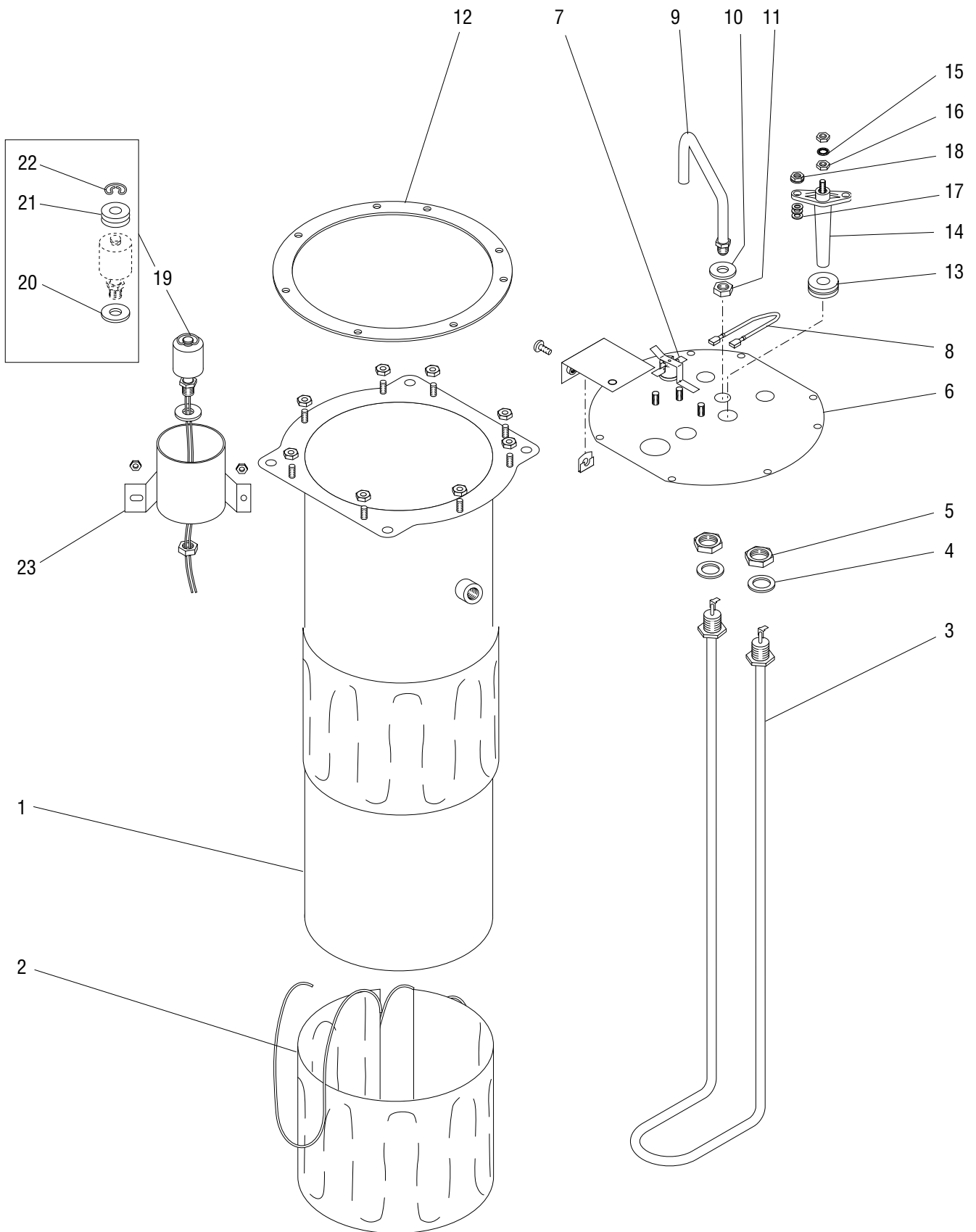
TABLE OF CONTENTS

HOUSING AND COVERS	4
TANK AND COMPONENTS	6
STRAINER/FLOW CONTROL	8
LATE MODEL INLET VALVE.....	10
TANK FAUCET	12
ELECTRICAL AND OPERATING CONTROLS	14
NUMERICAL INDEX	16



HOUSING AND COVERS

ITEM	PART NO.	QTY.	DESCRIPTION
1	02506.0000	1	Lid, Top (SST)
	02506.0001	1	Lid, Top (BLK)
	01303.0000	2	Screw, #4-40 x .50"
2	02510.0005	1	Housing (SST)(Also order item 3)
	02510.0006	1	Housing (BLK)(Also order item 3)
	02510.1007	1	Housing (ST) (Lowered Faucet) (Also order item 20)
3	00657.0000	1	Decal, BUNN HOT WATER
4	00917.0000	16	Clip, "J" Type, #8-32
5	02504.0002	1	Panel (SST)
	02504.0001	1	Panel (BLK)
	01311.0000	4	Screw, #8-32 x .25"
6	28918.0000	1	Panel W/Decals (SST)(Includes item 8. Also order item 7 for Model HW2)
	28918.0001	1	Panel W/Decals (BLK)(Includes item 8. Also order item 7 for Model HW2)
	01311.0000	4	Screw, #8-32 x .25"
7	10261.0000	1	Decal, ELECTRICAL SCHEMATIC (120V)
	10261.0001*	1	Decal, ELECTRICAL SCHEMATIC (240V)
8	00831.0000	1	Decal, ELECTRICAL WARNING
9	02508.0000	1	Panel (SST)(HW2 only. Also order item 10) Early Models w/Tank Mounted Valve
	02508.0005	1	Panel (SST)(HW2 only) Current Style W/.75" Hose Fitting. Shown
	02508.0004	1	Panel (BLK)(HW2 only. Also order item 10) Early Models w/Tank Mounted Valve
	02508.0006	1	Panel (BLK) Current Style W/.75" Hose Fitting.
	02508.0002*	1	Panel (HW2A only)
	01311.0000	4	Screw, #8-32 x .25"
10	00656.0000	1	Decal, PLUMBING CODE
11	02505.0000	1	Panel (SST)
	02505.0001	1	Panel (BLK)
	01311.0000	4	Screw, #8-32 x .25"
12	02507.0001	1	Plate, Bottom
13	25137.0002	4	Foot, Rubber
	00970.0000	4	Nut, KEPS #8-32
14	02497.0000	1	Drip Tray Kit (Includes items 15 thru 17)
15	02546.0000	1	Cover
16	02545.0000	1	Drip Tray
17	02547.0000	4	Foot, Rubber (Early models)
	04198.0001	1	Foot Kit, Rubber (Includes 4 Feet)(Late models)
18	37881.0000	2	Decal, No Serviceable Parts
19	12593.0000	1	Decal, Warning - Hot Water
20	41471.0002	1	Decal, Full Front, Low Faucet

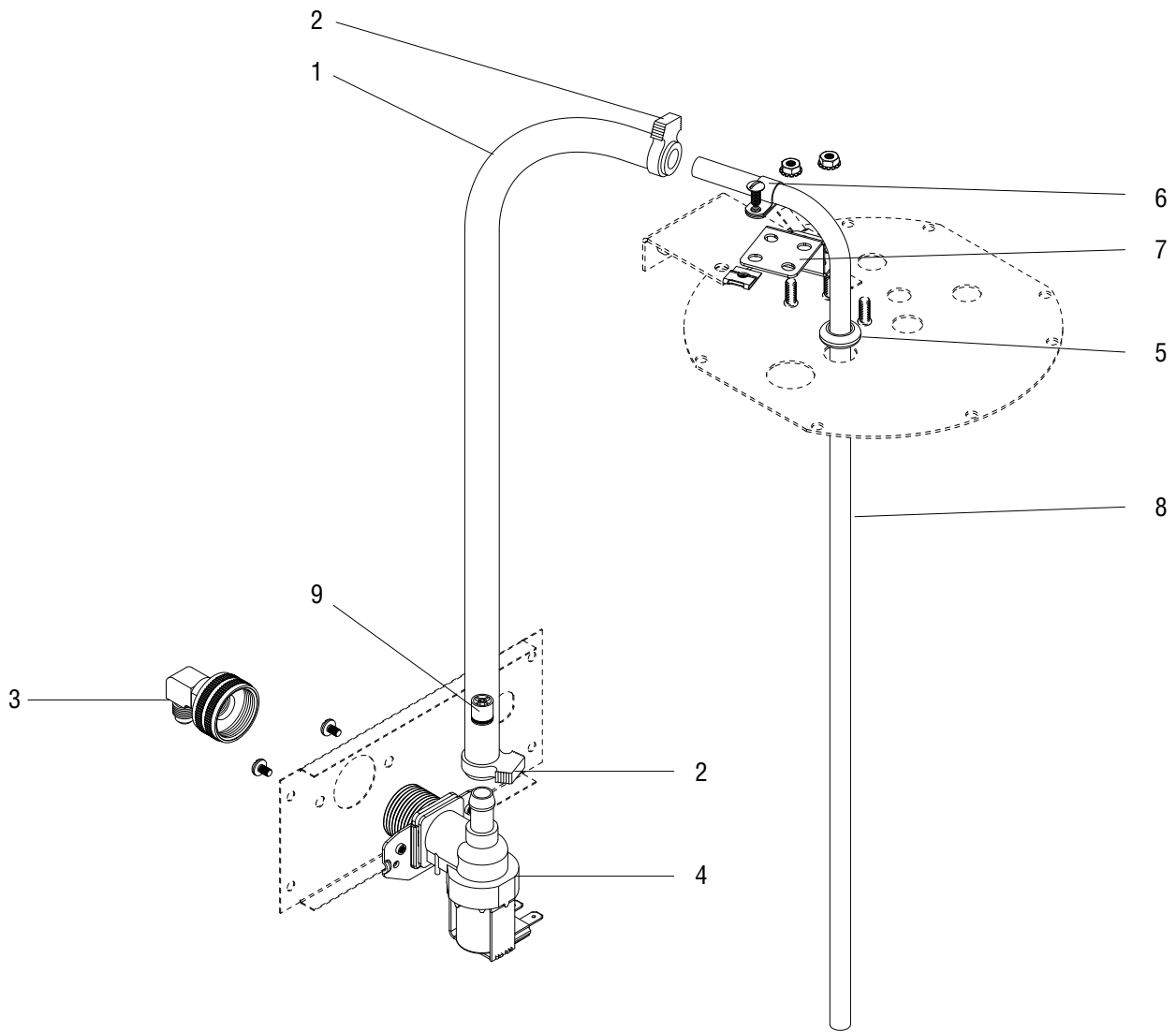


TANK AND COMPONENTS

ITEM	PART NO.	QTY.	DESCRIPTION
-	-----	1	Tank Assembly (Includes items 1 thru 12) (Not available. Order components)
	00912.0000	1	Clip "J" Type, #8-32 (Early models only)
	01315.0000	1	Screw, #8-32 x .375" SST
	01317.0005	1	Screw, #8-32 x .375" Blk
1	02515.0007	1	Tank (Standard)
	02515.1008	1	Tank (Lowered Faucet)
2	02575.0000	2	Blanket Warmer,120V (HW2 Only)
	01929.0000	2	Blanket Warmer,240V (HW2A Only)
3	02534.1000	1	Tank Heater Kit, 120V 1700W (HW2) (Includes item 4)
	02494.1000	1	Tank Heater Kit, 230V 1700W (HW2A)(Includes item 4)
	38994.1000	1	Tank Heater Kit, 230V 3000W (HW2A)(Includes item 4)
4	00943.0000	2	Gasket
5	00942.0000	2	Nut, Hex .50"-20
6	02525.0001	1	Lid, Tank
	00908.0000	8	Nut, #8-32
7	29329.1000	1	Thermostat, Limit
8	21016.0008	2	Lead (HW2 Only)
	20211.0100	2	Thermal Cut-off (HW2A Only)
9	02513.0000	1	Tube
10	03633.0000	1	Gasket
11	01075.0000	1	Nut, Hex .438"-20
12	04221.0000	1	Gasket, Tank Lid
13	02536.0000	1	Grommet
14	07048.1000	1	Probe Replacement Kit (Includes items 15 and 16)
15	20203.0100	1	Lockwasher, Internal Tooth #8
16	00908.0000	2	Nut, Hex #8-32
17	01522.0000	3	Washer,Spacer
18	00971.0000	1	Nut, Keps #10-32
19	03803.0000	1	Switch Assy, Level Float (Includes items 20 thru 22)
	00946.0000	1	Nut, Hex .125"-27
20	03633.0000	1	Gasket
21	-----	3	Washer, Adjusting (DO NOT USE IN THIS APPLICATION)
22	03807.0000	1	Clip, Spring
23	02520.0000	1	Cup, Overflow
	00971.0000	2	Nut, Keps #10-32

STRAINER/FLOW CONTROL

ITEM	PART NO.	QTY.	DESCRIPTION
1	02533.0000	1	Tube (Includes item 2)
2	00929.0001	1	Nut, Compression
3	07075.0000	1	Grommet
4	21695.0001	1	Elbow, Compression .38" x .125" MPT
5	28130.0001	1	Bracket, Solenoid Mounting (HW2 only) (Skinner & Kip)
	28130.0000	1	Bracket, Solenoid Mounting (HW2A only) (Asco)
	00971.0000	2	Nut, Keps #10-32
6	01085.0000	1	Solenoid, 120V 1.5" Dia. Coil (Early HW2 only) (Includes items 8 thru 11)
	01085.0002	1	Solenoid, 120V 1" Dia. Coil (HW2 only) (Includes items 8 thru 11)
	01975.0000	1	Solenoid, 240V 1.5" Dia. Coil (Later HW2A only) (Includes items 8 thru 11)
	01327.0000	2	Screw, #10-32 x .375"
	01502.0000	2	Lockwasher, #10
7	28005.0000	1	Solenoid, 240V (Early HW2A only)(Includes items 8 and 9) (Asco)
	02329.0000	2	Screw, Locking #8-32 x .375"
8	28480.0000	1	Coil 120V 1" Dia. Coil (Kip)
	28020.0000	1	Coil 240V (Early HW2A only) (Asco)
	01100.0000	1	Coil, 240V 1.5" Dia. Coil (Later HW2A only) (Skinner)
	01101.0000	1	Coil, 120V 1.5" Dia. Coil (Early HW2 only) (Skinner)
9	01111.0000	1	Solenoid Valve Repair Kit 120V & 240V (1.5" Dia. Coil) (Skinner)
	01111.0002	1	Solenoid Valve Repair Kit 120V & 240V (1.0" Dia. Coil) (Kip)
	28021.0000	1	Solenoid Valve Repair Kit 240V (1.0" Dia. Coil) (Early HW2A only) (Asco)
10	01079.0000	1	Base Kit (Includes O-ring) (1.5" Dia. Coil) (Skinner)
	28479.0000	1	Base Kit (Includes O-ring) (1.0" Dia. Coil) (Kip)
11	01116.0000	1	Guide Kit (1.5" Dia. Coil) (Includes Washer and O-ring) (Skinner)
	28481.0000	1	Guide Kit (1.0" Dia. Coil) (Includes Washer and O-ring) (Kip)
12	00402.0001	1	Connector, Male .25" FLR x .125" MPT
13	21814.0031	1	Tube
14	22300.0750	1	Strainer/Flow Control Assy (.750 GPM)(Includes items 15 thru 21)(Early Models)
	20528.1750	1	Flow Control Assy (.750 GPM)(Includes items 15 thru 19)(Late Models)
15	01154.0000	1	Flow Control Outlet (Early Models)
	01154.0001	1	Flow Control Outlet (Late Models)
16	01155.0000	1	Gasket, Flow Control
17	-----	1	Washer, Flow Control
18	20526.1750	1	Washer/Gasket Assy (Includes item 16 and 17)
19	-----	1	Body (Order item 14)
20	23721.0000	1	Screen
21	22249.0000	1	Cap, End
22	00310.0005	1	Tube (Early Models)(w/Strainer/Flow Control)
	21814.0016	1	Tube (Late Models)(w/Flow Control)
23	00463.0000	1	Nut, Hex .438"-20
24	01532.0000	1	Lockwasher, Internal Tooth .438"
25	00459.0000	1	Fitting, Bulkhead .25" Flare
26	00935.0000	1	Cap, Flare (For Shipping Purposes only)
27	00445.0001	1	Connector .25" male flare x .125"FPT (Late Models)
28	01060.0000	-	Wrench, Solenoid Valve (Not Illustrated)(HW2 only)
	01066.0000	-	Wrench, Spanner (Not Illustrated)(HW2 only)

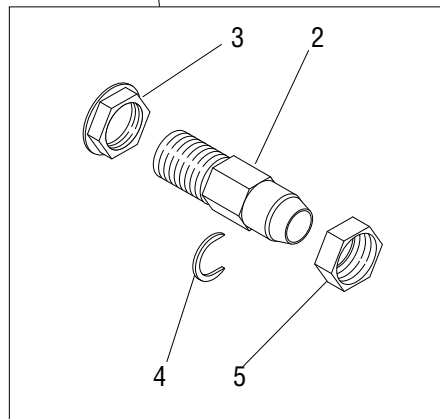
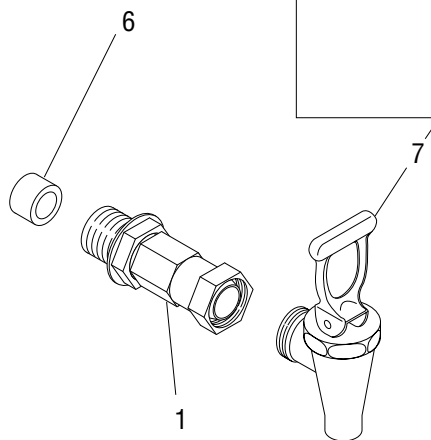
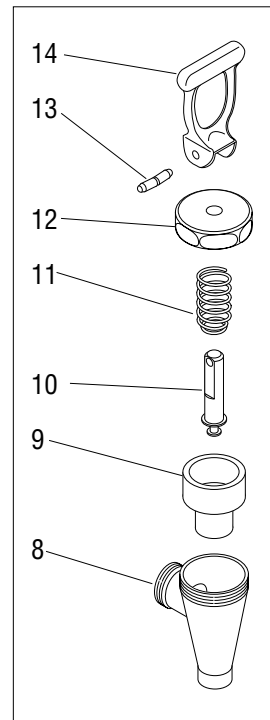
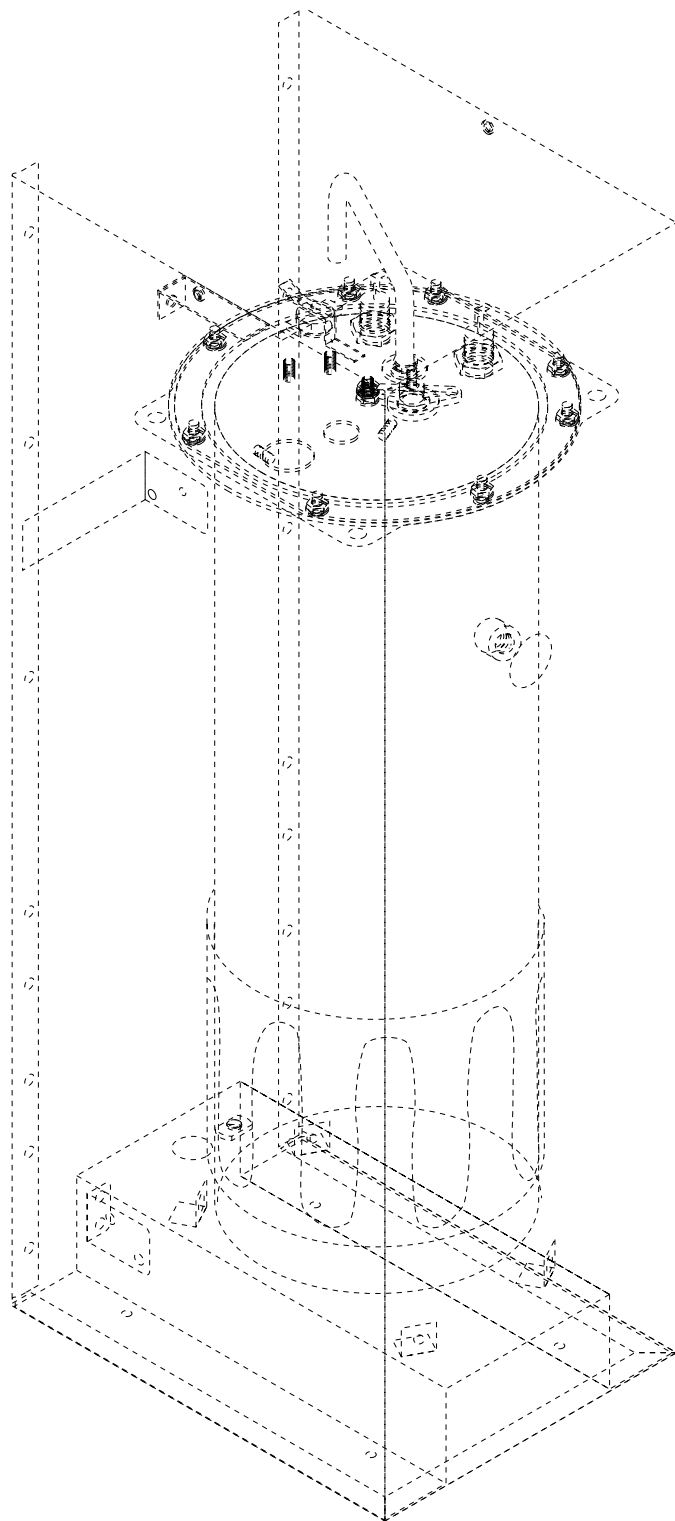


LATE MODEL INLET VALVE

ITEM	PART NO.	QTY.	DESCRIPTION
1	20976.0063*	1	Tube, Silicone .375"ID x 16.0" (Order # 9)
2	12422.0001	2	Clamp, SNP 10
3	37297.1006	1	Elbow
4	42025.0000	1	Kit, Valve 120V (.750GPM Flow Control)
	42025.0001	1	Kit, Valve 230V (.750GPM Flow Control)
	32283.0000	2	Screw, M4 x 6MM
5	07075.0000	1	Grommet
6	26263.0001	1	Clamp, SST
	01382.0000	1	Screw, #6-32 x .375"
	00988.0000	1	Fastener, U-Type #6-32
7	28130.0001	1	Bracket
	00971.0000	2	Nut, Keps #10-32
8	43789.0000	1	Tube, Tank Fill
9	36378.0001	1	Check Valve (Later HW2A Models Only)

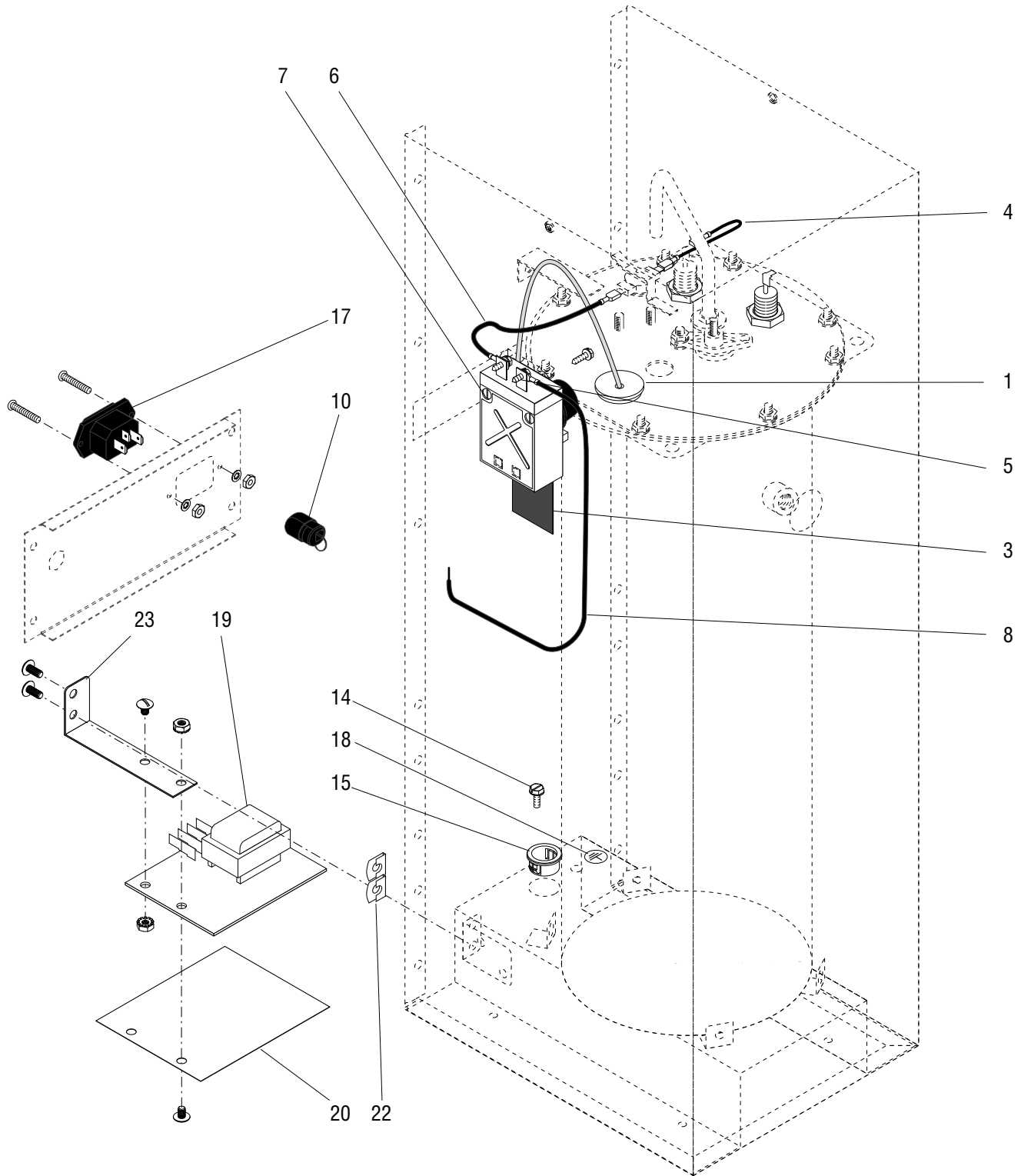
The following items are not illustrated

10	20976.1001	-	Tube, Silicone .375" ID x 3 Feet (Use as required)
	20976.1002	-	Tube, Silicone .375" ID x 10 Feet (Use as required)



TANK FAUCET

ITEM	PART NO.	QTY.	DESCRIPTION
1	07061.0001	1	Shank Assy, Faucet (Includes items 2 thru 5)
2	-----	1	Body, Shank (Order item 1)
3	07119.0000	1	Nut, Shank
4	01221.0000	1	C-Ring, Shank
5	01268.0000	1	Nut, Union
6	07079.0000	1	Gasket, Faucet Shank
7	07094.0000	1	Faucet Assy (Includes items 8 thru 14)
8	-----	1	Body, Faucet (Order item 7)
9	00600.0000	1	Cup, Faucet Seat
10	01284.0000	1	Stem W/Pin (Includes item 13)
11	00601.0000	1	Spring, Faucet
12	07127.0000	1	Nut, Faucet Bonnet
13	01219.0000	1	Pin, Faucet Handle
14	07099.0000	1	Handle, Faucet
-	28708.0000	-	Faucet Repair Kit (Includes items 9,10,11 and 14)



ELECTRICAL AND OPERATING CONTROLS

ITEM	PART NO.	QTY.	DESCRIPTION
1	07073.1000	1	Grommet
2	02540.0000	1	Wiring Harness, 120V (HW2 only. Not Illustrated)
	28144.0000	1	Wiring Harness, 240V (HW2A only. Not Illustrated)
	28144.0001	1	Wiring Harness, 240V (HW2 w/.75" Valve only. Not Illustrated)
	02540.0003	1	Wiring Harness, 120V (HW2 w/.75" Valve only. Not Illustrated)
3	10003.0000	1	Tag, Instruction
4	21016.0008	1	Lead, Tank Heater To Limit Switch (HW2 only)
	20211.0100	1	Thermal Fuse, Tank Heater To Limit Switch (HW2A only)
5	20762.0000	2	Screw, Thermostat Terminal #8-32 x .25"
6	43861.0000	1	Harness, Limit Thermostat To Thermostat
7	02542.0000	1	Thermostat Assy (Includes items 2 thru 5)
	02328.0003	1	Screw, Mounting #6-32 x .312"
8	43861.0002	1	Harness, Thermostat To Wire Nut
9	01637.0000	1	Power Cord (HW2 only. Not Illustrated)
10	00707.0000	1	Bushing, Strain Relief (HW2 only)
11	21000.0074	1	Lead, Red Wire Nut To Splice (Not Illustrated)
12	21001.0066*	1	Lead, White, Red Wire Nut To Splice (HW2 only. Not Illustrated)
	21003.0004*	1	Lead, Red, Red Wire Nut To Splice (HW2A only. Not Illustrated)
13	03851.0000	2	Wire Nut, Gray (Not Illustrated)
14	01309.0000	1	Screw, Ground For Power Cord (HW2 only. Not Illustrated)
	01375.0000	1	Screw, Ground For Power Connector (HW2A only. Not Illustrated)
15	07070.0000	1	Bushing
16	06064.0000	1	Decal, Cord Warning (HW2 only. Not Illustrated)
17	01908.0000	1	Power Connector (HW2A only)
	01362.0000	2	Screw, #4-40 x .50"
	01509.0000	2	Lockwasher, #4
	00937.0000	2	Nut, Hex, #4-40
18	00824.0002	1	Decal, Ground (HW2A only)
19	07074.1000	1	Control Board, Liquid Level (HW2 only)
	07074.1009	1	Control Board, Liquid Level (HW2A only)
	38711.1001	1	Control Board, Liquid Level (HW2A only)(RoHS Compliant)
	01311.0000	2	Screw, #8-32 x .25"
	00970.0000	2	Nut, Keps #8-32
20	07105.0000	1	Shield, Protective
21	00720.0000	1	Knob
22	00912.0000	2	Clip "J" Type, #8-32
23	02537.0000	1	Bracket
	01315.0000	2	Screw, #8-32 x .375"

NUMERICAL INDEX

PART NO.	PAGE NO.	PART NO.	PAGE NO.	PART NO.	PAGE NO.	PART NO.	PAGE NO.
00310.0005	9	01522.0000	7	07074.1009	15	43789.0000	11
00402.0001	9	01532.0000	9	07075.0000	9,11	43861.0000	15
00445.0001	9	01637.0000	15	07079.0000	13	43861.0002	15
00459.0000	9	01908.0000	15	07094.0000	13		
00463.0000	9	01929.0000	7	07099.0000	13		
00600.0000	13	01975.0000	9	07105.0000	15		
00601.0000	13	02328.0003	15	07119.0000	13		
00656.0000	5	02329.0000	9	07127.0000	13		
00657.0000	5	02494.1000	7	10003.0000	15		
00707.0000	15	02497.0000	5	10261.0000	5		
00720.0000	15	02504.0001	5	10261.0001	5		
00824.0002	15	02504.0002	5	12422.0001	11		
00831.0000	5	02505.0000	5	12593.0000	5		
00908.0000	7	02505.0001	5	20203.0100	7		
00912.0000	7,15	02506.0000	5	20211.0100	7,15		
00917.0000	5	02506.0001	5	20526.1750	9		
00929.0001	9	02507.0001	5	20528.1750	9		
00935.0000	9	02508.0000	5	20762.0000	15		
00937.0000	15	02508.0002	5	20976.0063	11		
00942.0000	7	02508.0004	5	20976.1001	11		
00943.0000	7	02508.0005	5	20976.1002	11		
00946.0000	7	02508.0006	5	21000.0074	15		
00970.0000	5,15	02510.0005	5	21001.0066	15		
00971.0000	7,9,11	02510.0006	5	21003.0004	15		
00988.0000	11	02510.1007	5	21016.0008	7,15		
01060.0000	9	02513.0000	7	21695.0001	9		
01066.0000	9	02515.0007	7	21814.0016	9		
01075.0000	7	02515.1008	7	21814.0031	9		
01079.0000	9	02520.0000	7	22249.0000	9		
01085.0000	9	02525.0001	7	22300.0750	9		
01085.0002	9	02533.0000	9	23721.0000	9		
01100.0000	9	02534.1000	7	25137.0002	5		
01101.0000	9	02536.0000	7	26263.0001	11		
01111.0000	9	02537.0000	15	28005.0000	9		
01111.0002	9	02540.0000	15	28020.0000	9		
01116.0000	9	02540.0003	15	28021.0000	9		
01154.0000	9	02542.0000	15	28130.0000	9		
01154.0001	9	02545.0000	5	28130.0001	9,11		
01155.0000	9	02546.0000	5	28144.0000	15		
01219.0000	13	02547.0000	5	28479.0000	9		
01221.0000	13	02575.0000	7	28480.0000	9		
01268.0000	13	03633.0000	7	28481.0000	9		
01284.0000	13	03633.0000	7	28708.0000	13		
01303.0000	5	03803.0000	7	28918.0000	5		
01309.0000	15	03807.0000	7	28918.0001	5		
01311.0000	5,15	03851.0000	15	29329.1000	7		
01315.0000	7,15	04198.0001	5	32283.0000	11		
01317.0005	7	04221.0000	7	36378.0001	11		
01327.0000	9	06064.0000	15	37297.1006	11		
01362.0000	15	07048.1000	7	37881.0000	5		
01375.0000	15	07061.0001	13	38711.1001	15		
01382.0000	11	07070.0000	15	38994.1000	7		
01502.0000	9	07073.1000	15	41471.0002	5		
01509.0000	15	07074.1000	15	42025.0000	11		