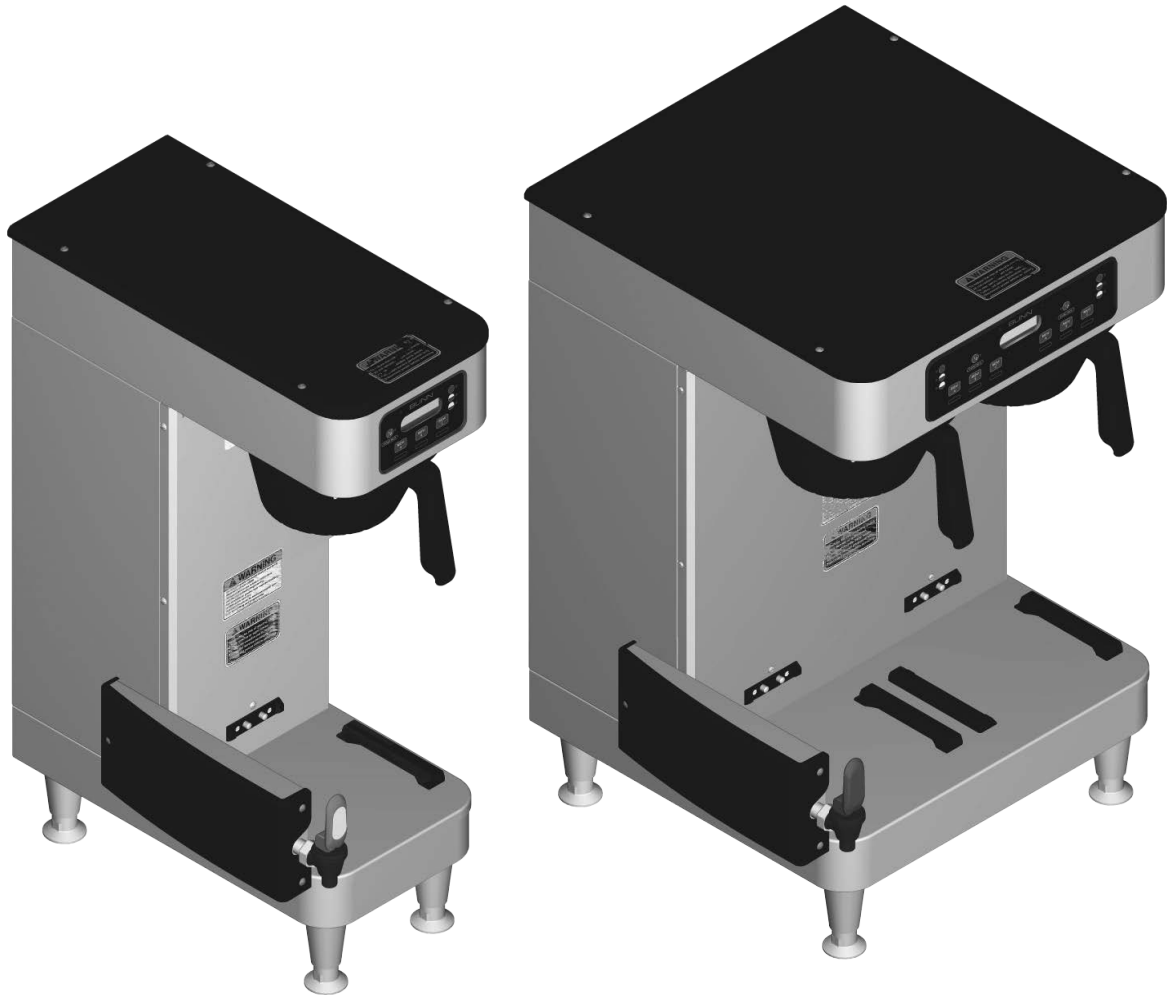




ICB Twin SH, ICB SH, ICBA SH



ILLUSTRATED PARTS CATALOG

Designs, materials, weights, specifications, and dimensions for equipment or replacement parts are subject to change without notice.

BUNN-O-MATIC CORPORATION

POST OFFICE BOX 3227

SPRINGFIELD, ILLINOIS 62708-3227

PHONE: (217) 529-6601 FAX: (217) 529-6644



BUNN-O-MATIC COMMERCIAL PRODUCT WARRANTY

Bunn-O-Matic Corp. ("BUNN") warrants equipment manufactured by it as follows:

- 1) Airpots, thermal carafes, decanters, GPR servers, iced tea/coffee dispensers, MCR/MCP/MCA single cup brewers, thermal servers and ThermoFresh® servers (mechanical and digital) 1 year parts and 1 year labor.
- 2) All other equipment - 2 years parts and 1 year labor plus added warranties as specified below:
 - a) Electronic circuit and/or control boards - parts and labor for 3 years.
 - b) Compressors on refrigeration equipment - 5 years parts and 1 year labor.
 - c) Grinding burrs on coffee grinding equipment to grind coffee to meet original factory screen sieve analysis - parts and labor for 4 years or 40,000 pounds of coffee, whichever comes first.

These warranty periods run from the date of installation BUNN warrants that the equipment manufactured by it will be commercially free of defects in material and workmanship existing at the time of manufacture and appearing within the applicable warranty period. This warranty does not apply to any equipment, component or part that was not manufactured by BUNN or that, in BUNN's judgment, has been affected by misuse, neglect, alteration, improper installation or operation, improper maintenance or repair, non periodic cleaning and descaling, equipment failures related to poor water quality, damage or casualty. In addition, the warranty does not apply to replacement of items subject to normal use including but not limited to user replaceable parts such as seals and gaskets. This warranty is conditioned on the Buyer 1) giving BUNN prompt notice of

any claim to be made under this warranty by telephone at (217) 529-6601 or by writing to Post Office Box 3227, Springfield, Illinois 62708-3227; 2) if requested by BUNN, shipping the defective equipment prepaid to an authorized BUNN service location; and 3) receiving prior authorization from BUNN that the defective equipment is under warranty.

THE FOREGOING WARRANTY IS EXCLUSIVE AND IS IN LIEU OF ANY OTHER WARRANTY, WRITTEN OR ORAL, EXPRESS OR IMPLIED, INCLUDING, BUT NOT LIMITED TO, ANY IMPLIED WARRANTY OF EITHER MERCHANTABILITY OR FITNESS FOR A PARTICULAR PURPOSE. The agents, dealers or employees of BUNN are not authorized to make modifications to this warranty or to make additional warranties that are binding on BUNN. Accordingly, statements by such individuals, whether oral or written, do not constitute warranties and should not be relied upon.

If BUNN determines in its sole discretion that the equipment does not conform to the warranty, BUNN, at its exclusive option while the equipment is under warranty, shall either 1) provide at no charge replacement parts and/or labor (during the applicable parts and labor warranty periods specified above) to repair the defective components, provided that this repair is done by a BUNN Authorized Service Representative; or 2) shall replace the equipment or refund the purchase price for the equipment.

THE BUYER'S REMEDY AGAINST BUNN FOR THE BREACH OF ANY OBLIGATION ARISING OUT OF THE SALE OF THIS EQUIPMENT, WHETHER DERIVED FROM WARRANTY OR OTHERWISE, SHALL BE LIMITED, AT BUNN'S SOLE OPTION AS SPECIFIED HEREIN, TO REPAIR, REPLACEMENT OR REFUND.

In no event shall BUNN be liable for any other damage or loss, including, but not limited to, lost profits, lost sales, loss of use of equipment, claims of Buyer's customers, cost of capital, cost of down time, cost of substitute equipment, facilities or services, or any other special, incidental or consequential damages.

392, A Partner You Can Count On, Air Infusion, AutoPOD, AXIOM, BrewLOGIC, BrewMETER, Brew Better Not Bitter, BrewWISE, BrewWIZARD, BUNN Espresso, BUNN Family Gourmet, BUNN Gourmet, BUNN Pour-O-Matic, BUNN, BUNN with the stylized red line, BUNNlink, Bunn-O-Matic, Bunn-O-Matic, BUNNserve, BUNNSERVE with the stylized wrench design, Cool Froth, DBC, Dr. Brew stylized Dr. design, Dual, Easy Pour, EasyClear, EasyGard, FlavorGard, Gourmet Ice, Gourmet Juice, High Intensity, iMIX, Infusion Series, Intellisteam, My Café, Phase Brew, PowerLogic, Quality Beverage Equipment Worldwide, Respect Earth, Respect Earth with the stylized leaf and coffee cherry design, Safety-Fresh, savemycoffee.com, Scale-Pro, Silver Series, Single, Smart Funnel, Smart Hopper, SmartWAVE, Soft Heat, SplashGard, The Mark of Quality in Beverage Equipment Worldwide, ThermoFresh, Titan, trifacta, TRIFECTA (stylized logo), Velocity Brew, Air Brew, Beverage Bar Creator, Beverage Profit Calculator, Brew better, not bitter., Build-A-Drink, BUNNSource, Coffee At Its Best, Cyclonic Heating System, Daypart, Digital Brewer Control, Element, Milk Texturing Fusion, Nothing Brews Like a BUNN, Picture Prompted Cleaning, Pouring Profits, Signature Series, Sure Tamp, Tea At Its Best, The Horizontal Red Line, Ultra are either trademarks or registered trademarks of Bunn-O-Matic Corporation. The commercial trifacta® brewer housing configuration is a trademark of Bunn-O-Matic Corporation.

TABLE OF CONTENTS

HOOD ASSEMBLIES	4
TRUNKS.....	6
BASES.....	8
TANK AND COMPONENTS	10
TANK FILL/DRAIN	12
DISPENSE/BYPASS VALVES & SPRAYHEAD	14
FAUCET	16
ELECTRICAL AND OPERATING CONTROLS	18
FUNNELS	24
NUMERICAL INDEX	26

To order coffee filters, water filters, or other accessories, refer to Specification Sheets at www.bunn.com

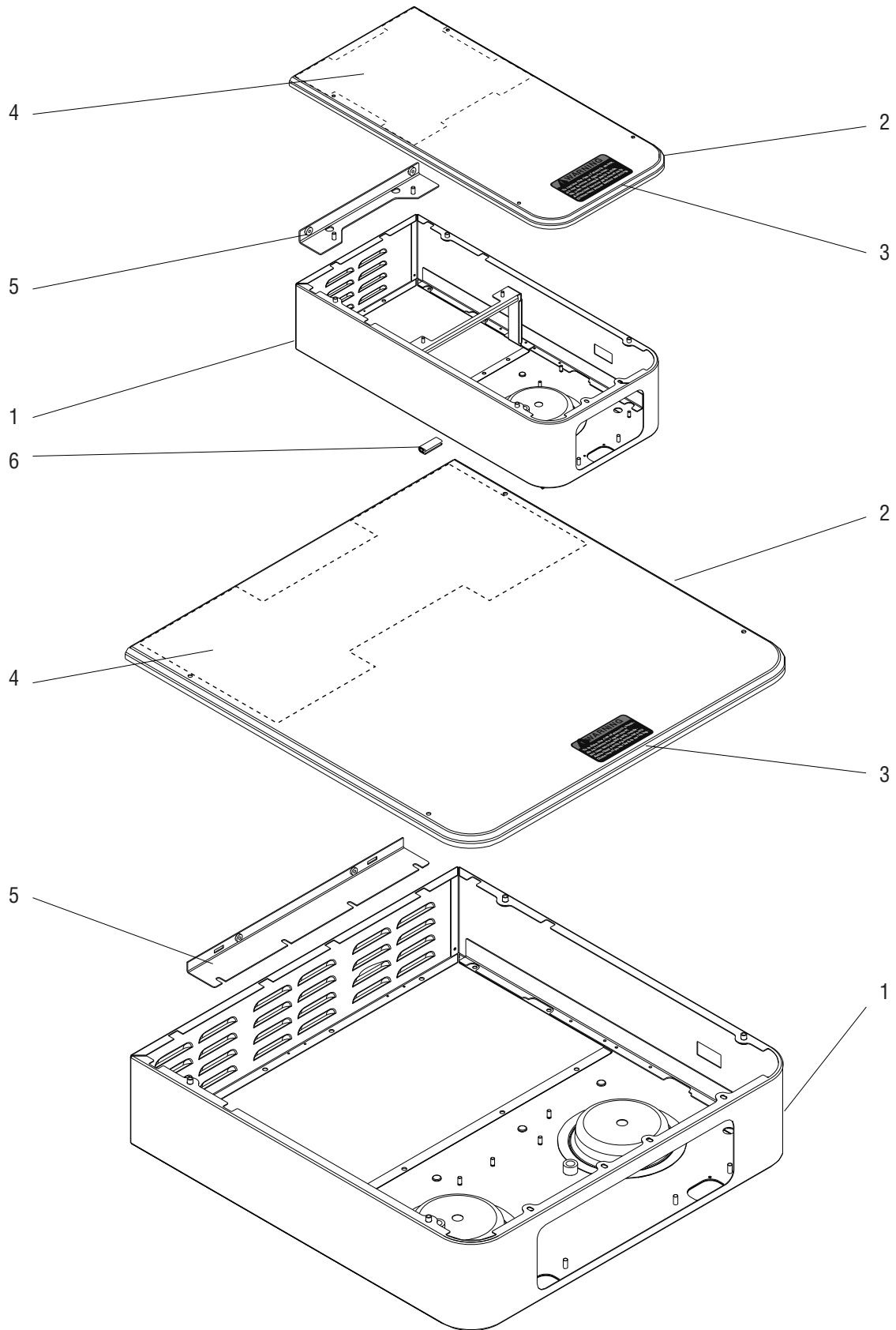
ICB SH	120/208-240V
ICBA.....	230V
ICB Twin SH.....	120/208-240V

Fraction	Decimal		Fraction	Decimal
1/16	0.063		9/16	0.563
1/8	0.125		5/8	0.625
3/16	0.188		11/16	0.688
1/4	0.250		3/4	0.750
5/16	0.313		13/16	0.813
3/8	0.375		7/8	0.875
7/16	0.438		15/16	0.938
1/2	0.500		1	1.000


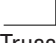


HOOD ASSEMBLIES

ICB SH Series



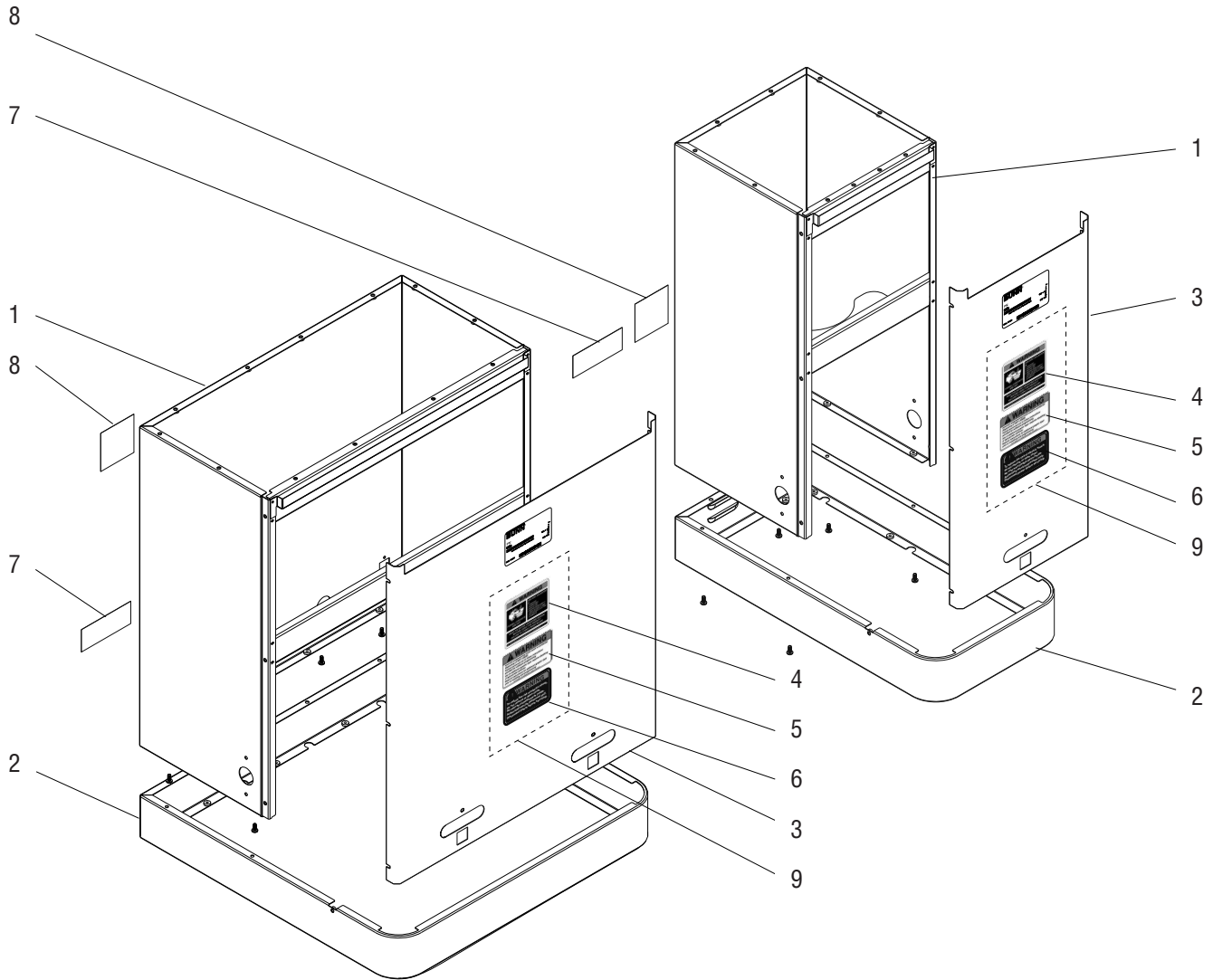
HOOD ASSEMBLIES

ITEM	PART NO.	QTY.		DESCRIPTION
		TWIN	SINGLE	
1	52706.0001	-	1	Hood, SST
	53049.0000	1	-	Hood, SST
	53049.0001	1	-	Hood, BLK
	02308.0000	12	10	Screw, Pan Head #8-32 x .38"
2	44736.1021	1	-	Cover, Top  Includes items 3 & 4
	44736.1023	-	1	Cover, Top  Includes items 3 & 4
	01311.0004	4	4	Screw, Truss Head BLK #6-32 x .25" Lkg
3	37881.0000	1	1	Decal, No Serviceable Parts
4	25151.0002	-	1	Shield, Insulator
	25151.0003	1	-	Shield, Insulator
5	37967.0000	1	-	Bracket, Tank Support, Twin (Upper)
	01308.0002	2	-	Screw, Truss Head #6-32 x .25" Lkg
	36608.0002	-	1	Bracket, Tank Support, Single
	01308.0002	-	2	Screw, Truss Head #8-32 x .25" Lkg
6	02712.0003	-	1	Edging 1.0"


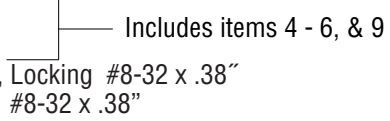


TRUNKS

ICB SH
Series



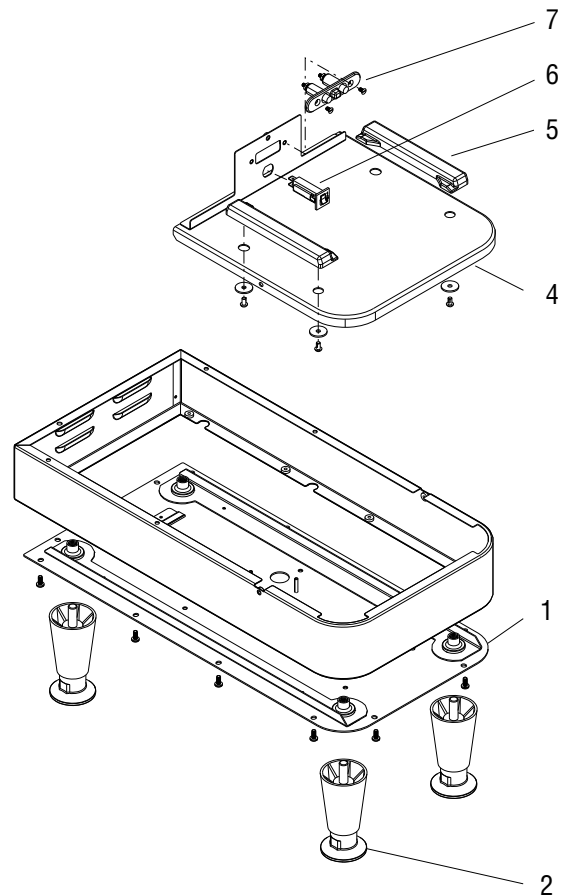
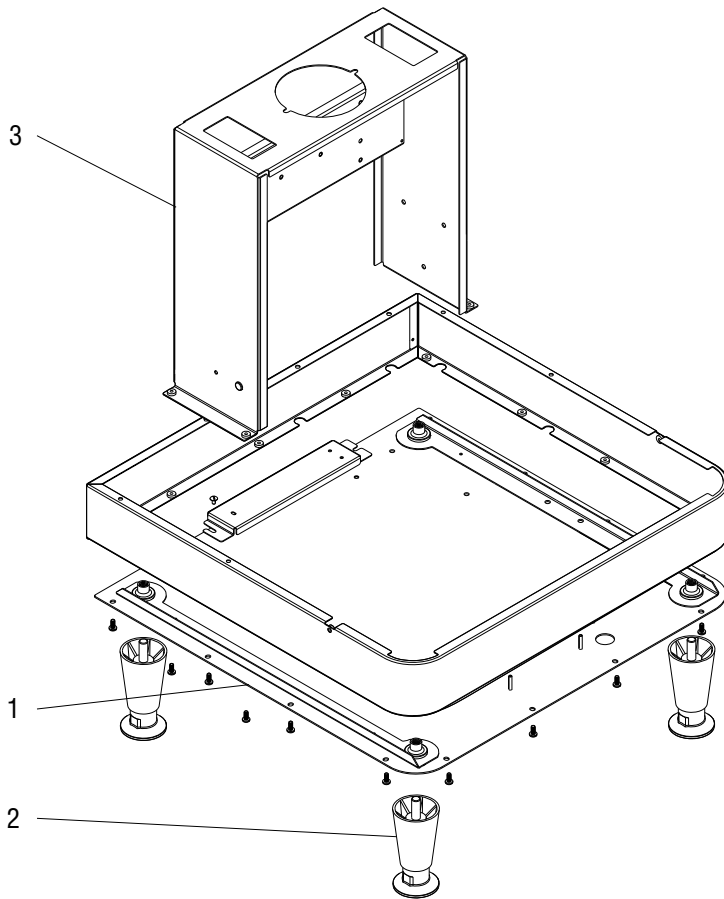
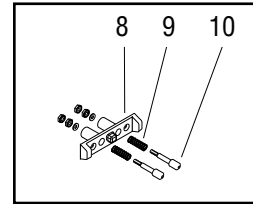
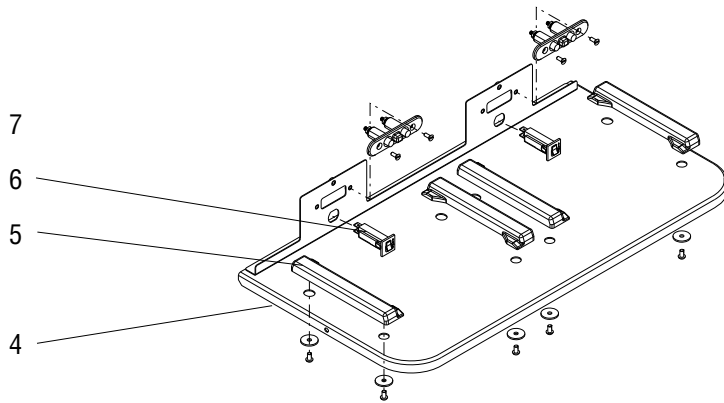
TRUNKS

ITEM	PART NO.	QTY. TWIN	QTY. SINGLE	DESCRIPTION
1	52655.1000	-	1	Trunk
	45860.1008	1	-	Trunk, SST
	52872.1001	1	-	Trunk, BLK
	02308.0000	8	6	Screw #8-32 x .38"
				
2	52652.0000	-	1	Base Housing
	52870.0000	1	-	Base Housing SST
	52870.0001	1	-	Base Housing BLK
3	52656.1000	-	1	Panel, Front
	52873.1000	1	-	Panel, Front
	01317.0003	8	-	Screw, Truss Head, Locking #8-32 x .38"
	01315.0000	-	7	Screw, Truss Head #8-32 x .38"
				
4	00658.0000	1	1	Decal, Warning-Decanter/Funnel
5	39175.0000	1	1	Decal, Warning Overlay Graphic
6	37881.0000	1	1	Decal, No User Serviceable Parts
7	00656.0001	1	1	Decal, Compliance To Plumbing Code
8	00986.0000	1	1	Decal, Warning-Electrical
9	53328.0000	1	-	Schematic, Electrical
	53494.0000	-	1	Schematic, Electrical, 120V
	53494.0001	-	1	Schematic, Electrical, 230V



BASES

ICB SH Series



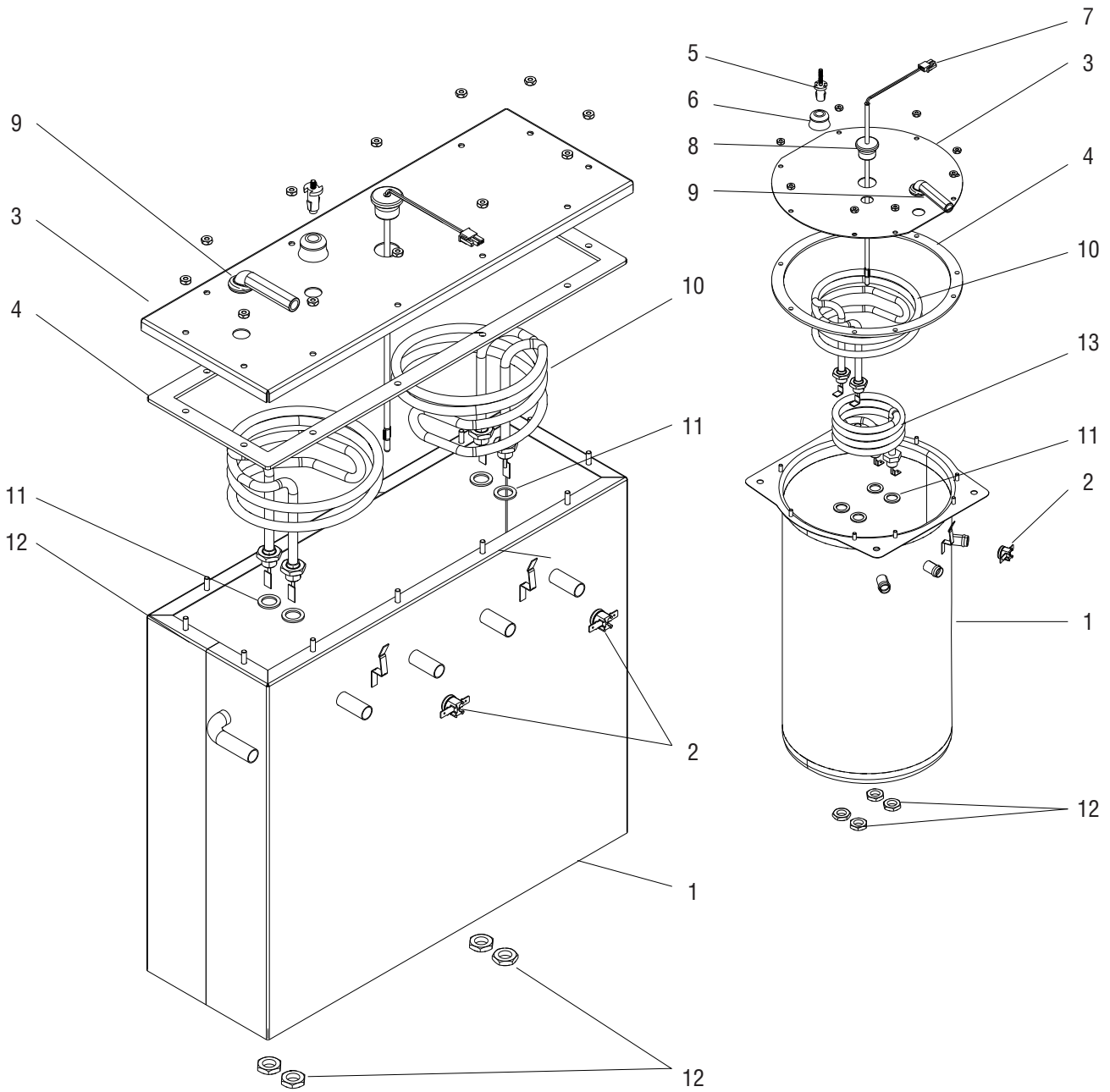
BASES

ITEM	PART NO.	QTY. TWIN	QTY. SINGLE	DESCRIPTION
1	52649.0000	-	1	Base, Standard Single
	52867.0000	1	-	Base, Standard Twin, SST
	52867.0001	1	-	Base, Standard Twin, BLK
2	40041.0000	4	4	Leg
	40042.0000	4	4	Pad, Anti Skid
3	37953.0004	1	-	Lower Tank Support (Std. Twin)
	02308.0000	4	-	Screw #8-32 x .38"
4	52668.0000	-	1	Server Platform
	52877.0000	1	-	Server Platform
	02308.0000	2	2	Screw #8-32 x .38"
5	51506.0000	4	2	Server Guide
	02329.0000	8	4	Screw, Round Head #8-32 x .312"
	02360.0000	8	4	Washer
6	27181.0001	2	1	Circuit Breaker, 4 amp
7	53450.1000	2	1	Receptacle Assembly, Spring Contact (Includes items 8, 9 & 10)
	44724.0000	4	2	Screw, Flat Head, Locking #6-32 x .25"
8	53450.0000	2	1	Housing, Spring Contact
9	27788.0000	4	2	Spring
10	27748.0000	4	2	Pin, Contact
	01521.0000	4	2	Washer, Flat
	00973.0000	8	4	Nut, Keps #6-32 - Zinc Pl



TANK AND COMPONENTS

ICB SH
Series



TANK AND COMPONENTS

ITEM	PART NO.	QTY. TWIN	QTY. SINGLE	DESCRIPTION	
1	37782.0004	1	-	Tank, Twin	
	36604.0000	-	1	Tank, Single	
	00970.0000	-	3	Nut, Keps #8-32	
	00908.0000	-	2	Nut, #8-32	} Ground circuit for liquid level probe - Singles
	01501.0000	-	2	Flat Washer	
	20203.0100	-	2	Lockwasher, Ext. Tooth #8	
2	29329.1000	2	1	Thermostat, Limit	
3	37776.0005	1	-	Tank Lid, Twin (New Style, left vent only)	
	36606.0001	-	1	Tank Lid, Single	
	00908.0000	12	8	Nut, #8-32	} Ground circuit for liquid level probe - Twins
	01511.0000	2	1	Lockwasher, Ext. Tooth #8	
4	35937.0002	1	-	Gasket, Twin Tank Lid (Squared)	
	36605.0000	-	1	Gasket, Single Tank Lid	
5	07412.1002	1	1	Probe Kit, Liquid Level	} Included in kit
	01501.0000	1	1	Flat Washer	
	20203.0100	1	1	Lockwasher, Int. Tooth #8	
	00908.0000	1	1	Nut, #8-32	
6	38114.0000	1	1	Grommet, Liquid Level Probe	
7	39085.1001	1	1	Probe, Temperature Sensor 10.5"	
8	33801.0003	1	1	Grommet, Temperature Sensor	
9	38969.0003	1	1	Fitting, 90° Silicone	
10	29485.1005	-	1	Tank Heater 2268W, 120V (Includes item 11) Single	
	29485.1006	2	-	Tank Heater 3000W, 240V (Includes item 11) Twin	
11	00943.0000	4	4	Gasket, Tank Heater	
12	00942.0000	4	4	Nut, Brass .5"-20	
13	02755.1002	-	1	Tank Heater 1680W, 120V (Includes item 11) Single	
	05037.1002	-	1	Tank Heater 3500W, 240V (Includes item 11) Single	

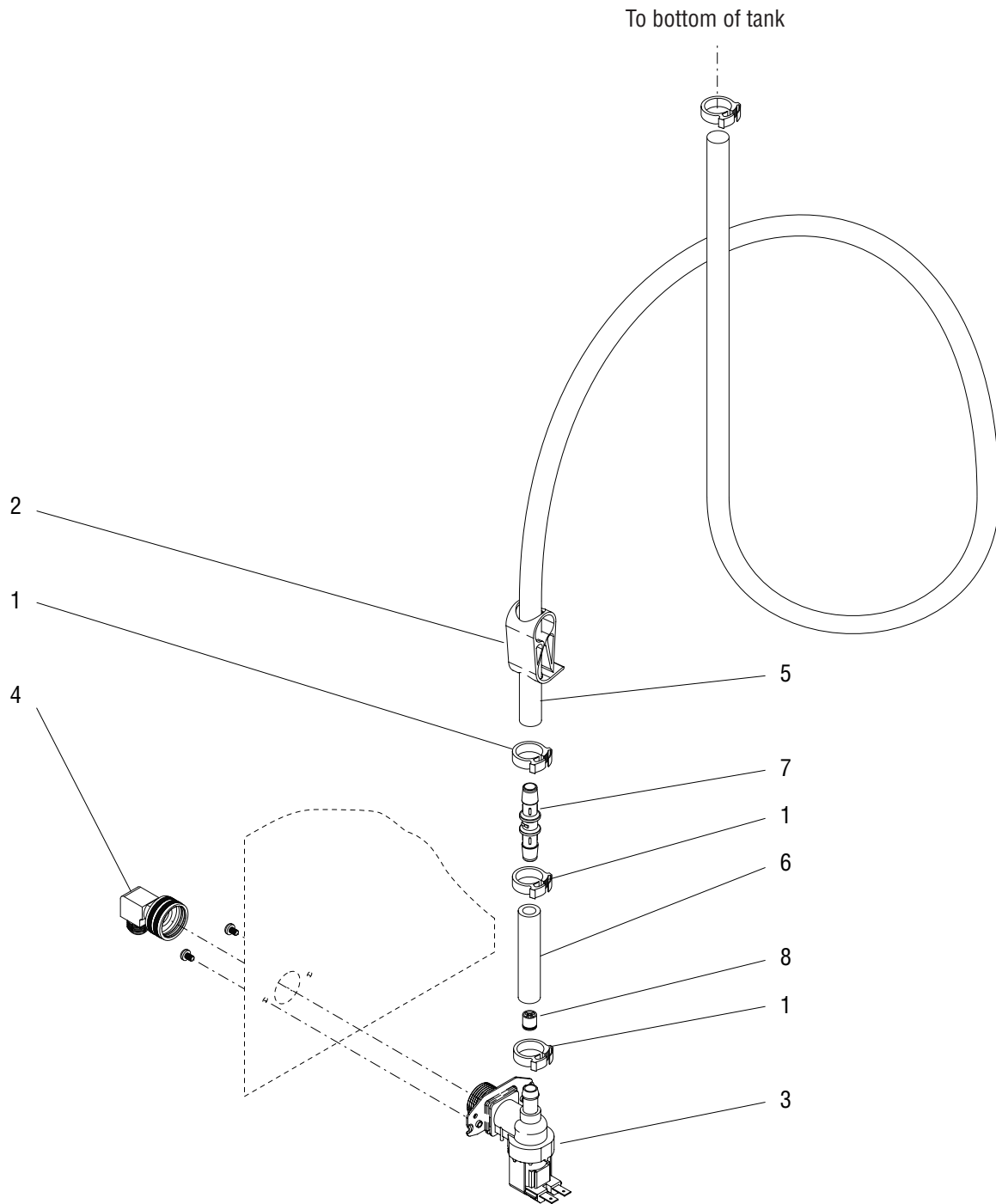
The following items are not illustrated

14	22918.0002	-	2	Thermal Fuse (CE Only)
15	53492.0000	1	-	Insulation, Tank
	53492.0001	-	1	Insulation, Tank



TANK FILL/DRAIN

ICB SH
Series



TANK FILL/DRAIN

ITEM	PART NO.	QTY.		DESCRIPTION
		TWIN	SINGLE	
1	12422.0001	4	4	Clamp, Hose-Snap SNP # 10
2	11630.0001	1	1	Clamp
3	36233.1000	1	1	Valve, Water Inlet 120V
	36233.0001	-	1	Valve, Water Inlet 240V
	32283.0000	2	2	Screw, Pan Head M4 x 6MM
	43644.0000	-	-	Kit, Valve Rebuild
	46884.0000	1	1	Strainer, Inlet
4	37297.1001	1	1	Elbow, .375" Flare x .75" FGHT
5		1	1	Tube, Silicone .375" ID x 19.0" (order item 10)
6		1	1	Tube, Silicone .375" ID x 3.0" (order item 10)
7	45313.0000	1	1	Connector, Union
8	36378.0001	1	1	Check Valve
9	46028.0000	1	1	Kit, Check Valve (Includes 6-8)

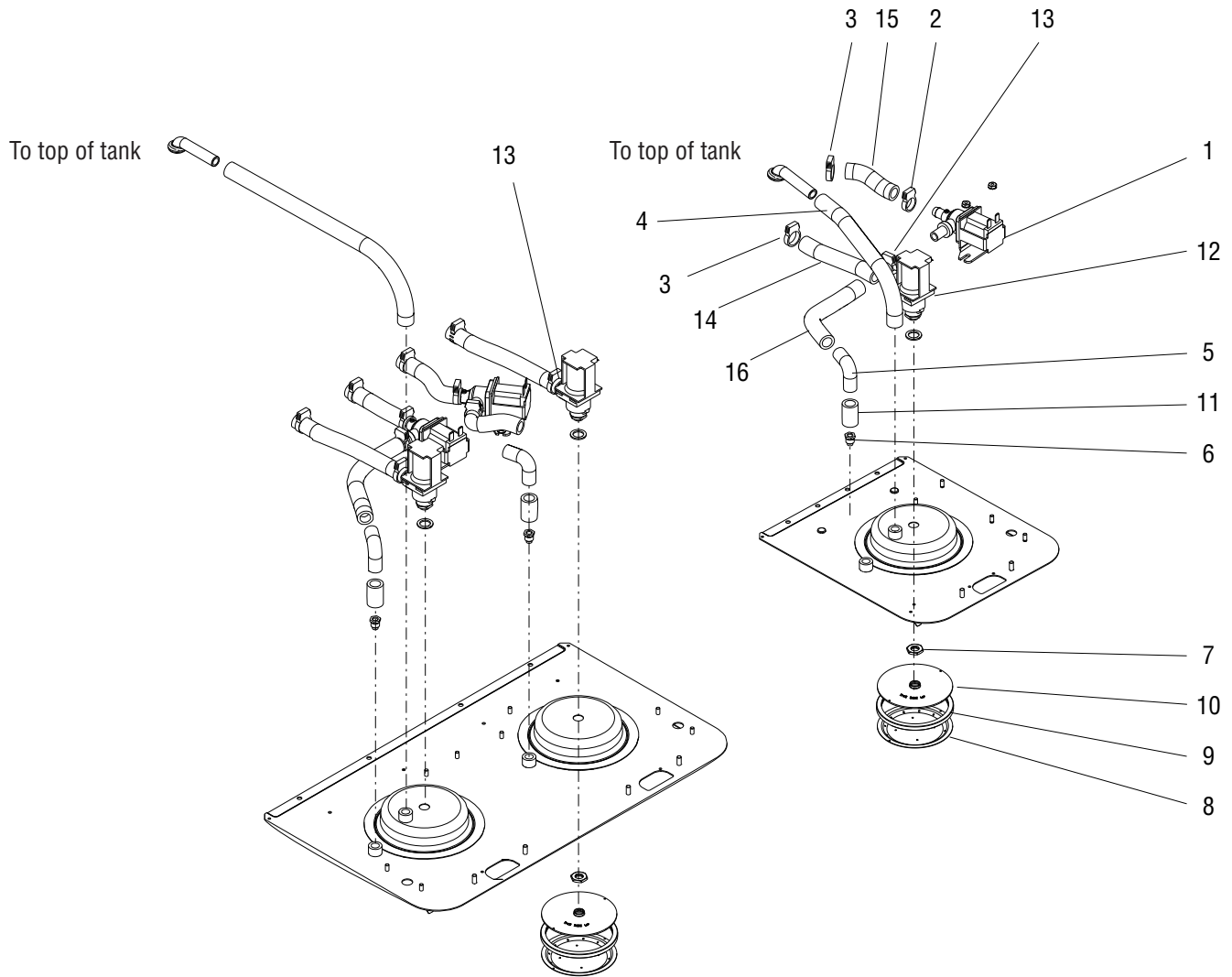
The following items are not illustrated

10	20976.1000	-	-	Tube, Silicone .375" ID x 12.0" (Use as required)
	20976.1001	-	-	Tube, Silicone .375" ID x 36.0" (Use as required)
	20976.1002	-	-	Tube, Silicone .375" ID x 120.0" (Use as required)



DISPENSE/BYPASS VALVES & SPRAYHEAD

ICB SH Series



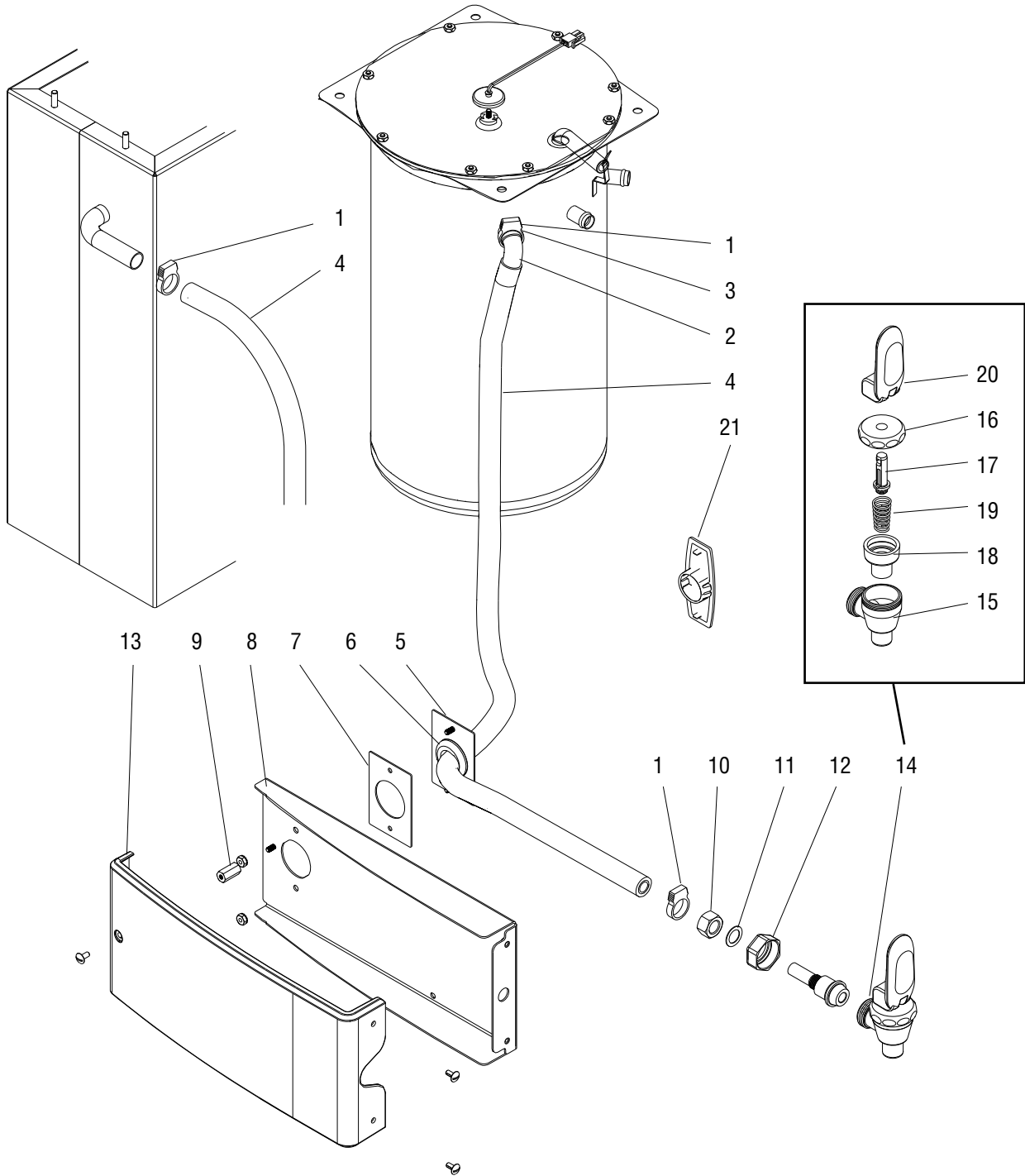
DISPENSE/BYPASS VALVES & SPRAYHEAD

ITEM	PART NO.	QTY.		DESCRIPTION	
		TWIN	SINGLE		
1	27370.0003	2	1	Valve, Bypass 120V	
	27370.0005	-	1	Valve, Bypass 230V	
	00970.0000	4	2	Nut, KEPS #8-32	
2	12422.0005	4	2	Clamp, Hose-Snap SNP #12	
3	12422.0009	6	3	Clamp, Hose-Snap SNP #14	
4		-	1	Tube .50" ID x 8.75" (Vent)	} Order Item 17
		1	-	Tube .50" ID x 9.75" (Vent)	
5	45928.0000	3	1	Elbow	
6	34801.0001	2	1	Fitting, By-Pass Restrictor	
7	01075.0000	2	1	Nut, Hex .438"-20	
8	52112.0000	2	1	Back, Sprayhead	
9	34868.0000	2	1	Seal	
10	40670.1017	2	1	Sprayhead Assy, 17 hole (Includes items 8 & 9)	
11		2	1	Tube .50" ID x 1.10" (Order item 17)	
12	26846.0000	2	1	Valve Assembly, Sprayhead 120V	
	26846.0002	-	1	Valve Assembly, Sprayhead 240V	
13	34956.0013	2	-	Fitting, .25 NPTF .550D/.281ID	
	34956.0014	-	1	Fitting, .25 NPTF .550D/.255ID	
14		-	1	Tube .50" ID x 4.875" (Brew)	} Order Item 17
		2	-	Tube .50" ID x 6.75" (Brew)	
15		1	-	Tube .50" ID x 3.6" (Tank to Bypass) (Left)	} Order Item 17
		1	-	Tube .50" ID x 5.75" (Tank to Bypass) (Right)	
		-	1	Tube .50" ID x 3.0" (Tank to Bypass)	
16		1	-	Tube .50" ID x 8.5" (Bypass to Elbow) Left	} Order Item 17
		1	-	Tube .50" ID x 4.0" (Bypass to Elbow) Right	
		-	1	Tube .50" ID x 6.5" (Bypass to Elbow)	
The following items are not illustrated					
17	32591.1001	-	-	Tube .50" ID x 1 Foot (Use as required)	
	32591.1002	-	-	Tube .50" ID x 3 Feet (Use as required)	
	32591.1003	-	-	Tube .50" ID x 10 Feet (Use as required)	
	32591.1004	-	-	Tube .50" ID x 250 Feet (Use as required)	



FAUCET

ICB SH
Series



P4395.60

FAUCET

ITEM	PART NO.	QTY. TWIN	QTY. SINGLE	DESCRIPTION
1	12422.0005	2	-	Clamp, Hose-Snap SNP # 12
	12422.0009	-	2	Clamp, Hose-Snap SNP # 14
2	45928.0000	-	1	Elbow
3		-	1	Tube .50" ID x 1.10" (Order item 23)
4		1	-	Tube .38" ID x 36.0" Faucet (Order item 22)
		-	1	Tube .50" ID x 32.0" Faucet (Order item 23)
5	52847.0001	1	1	Plate
6	35332.0000	1	1	Grommet
7	52847.0000	1	1	Spacer
8	52842.0100	1	1	Bracket
	00970.0000	3	3	Nut
	01315.0000	1	1	Screw
9	00950.0000	1	1	Spacer
10	29264.0000	1	1	Nut
11	01544.0000	1	1	Washer, .50" ID x .75" OD
12	01268.0000	1	1	Nut
13	52879.0000	1	1	Cover
	01317.0005	3	3	Screw
14	03260.1026	1	1	Faucet Assy (Includes items 18 - 23)
15	35758.0002	1	1	Body
16	29165.0002	1	1	Bonnet
17	29164.0000	1	1	Stem
18	00600.0000	1	1	Seat Cup
19	00601.0000	1	1	Spring
20	51315.0002	1	1	Handle, Red
21	52945.0000	1	1	Badge

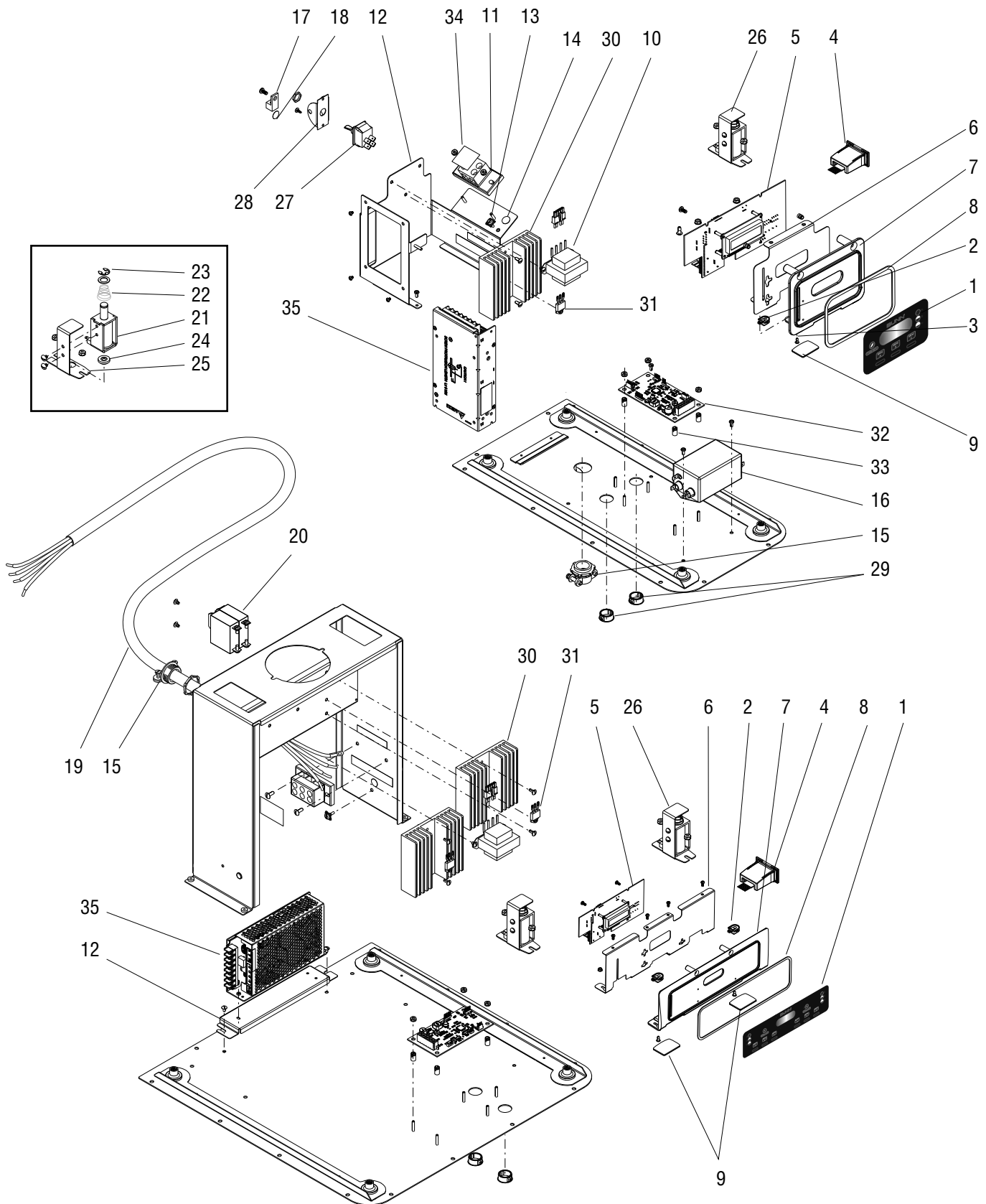
The following items are not illustrated

22	20976.1000	-	-	Tube, Silicone .375" ID x 12.0" (Use as required)
	20976.1001	-	-	Tube, Silicone .375" ID x 36.0" (Use as required)
	20976.1002	-	-	Tube, Silicone .375" ID x 120.0" (Use as required)
23	32591.1001	-	-	Tube .50" ID x 1 Foot (Use as required)
	32591.1002	-	-	Tube .50" ID x 3 Feet (Use as required)
	32591.1003	-	-	Tube .50" ID x 10 Feet (Use as required)
	32591.1004	-	-	Tube .50" ID x 250 Feet (Use as required)



ELECTRICAL AND OPERATING CONTROLS

ICB SH Series



ELECTRICAL AND OPERATING CONTROLS

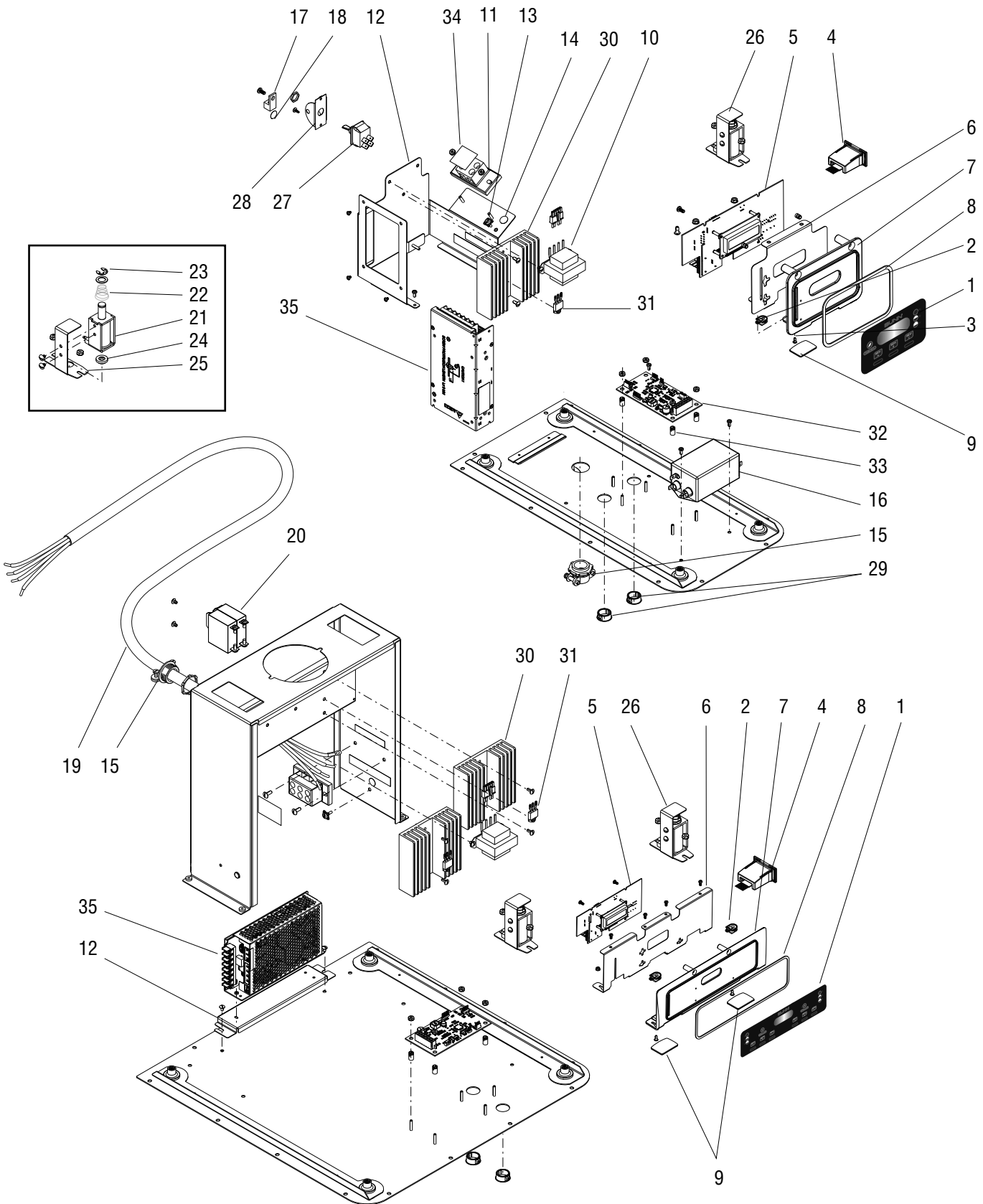
ITEM	PART NO.	QTY.	QTY.	DESCRIPTION
		TWIN	SINGLE	
1	52904.0001	-	1	Membrane Switch
	52941.0001	1	-	Membrane Switch
2	32572.1000	2	1	Sensing Coil
3	35956.0000	2	1	Fastener
4	48455.0001	1	1	USB Receptacle
5	52887.1000	1	1	Control Board
	02308.0000	2	2	Screw, Pan Head #8-32 x .38"
6	51337.0002	-	1	Bracket
	51337.0003	1	-	Bracket
	00971.0000	2	2	Nut, Keps #10-32
	02308.0000	2	2	Screw, Pan Head #8-32 x .38"
7	52864.0000	-	1	Bezel
	52938.0000	1	-	Bezel
8	53344.0001	-	1	Seal
	53344.0000	1	-	Seal
9	52947.0001	2	1	Seal
10	34307.1001	1	1	Transformer 120V
	34307.1002	-	1	Transformer 230V
	01308.0002	2	2	Screw SST #6-32 x .25"
11	07038.0000	1	1	Terminal Block 120V
	01106.0003	-	1	Terminal Block 230V
	01317.0000	2	2	Screw, Truss Head #8-32 x .50"
12	51505.0002	1	-	Bracket
	53378.0001	-	1	Bracket
	01308.0002	2	-	Screw SST #6-32 x .25"
	02328.0004	-	2	Screw, Truss Head #6-32 x .38"
13	37804.0000	1	1	Screw, Grounding #8-32 x .50"
14	00824.0002	1	1	Decal, Ground
15	01590.0000	1	1	Cord Connector 120V
	05746.0000	-	1	Cord Connector 230V
16	50159.0000	-	1	EMI Filter (230V CE models only)
	02328.0004	-	2	Screw, Truss Head #6-32 x .38"
17	27705.0000	-	1	Terminal Lug (230V CE models only)
	02308.0000	-	1	Screw, Pan Head #8-32 x .38"
18	00824.0001	-	1	Decal, Equipotentiality (CE Only)

Continued on next page



ELECTRICAL AND OPERATING CONTROLS

ICB SH Series



ELECTRICAL AND OPERATING CONTROLS

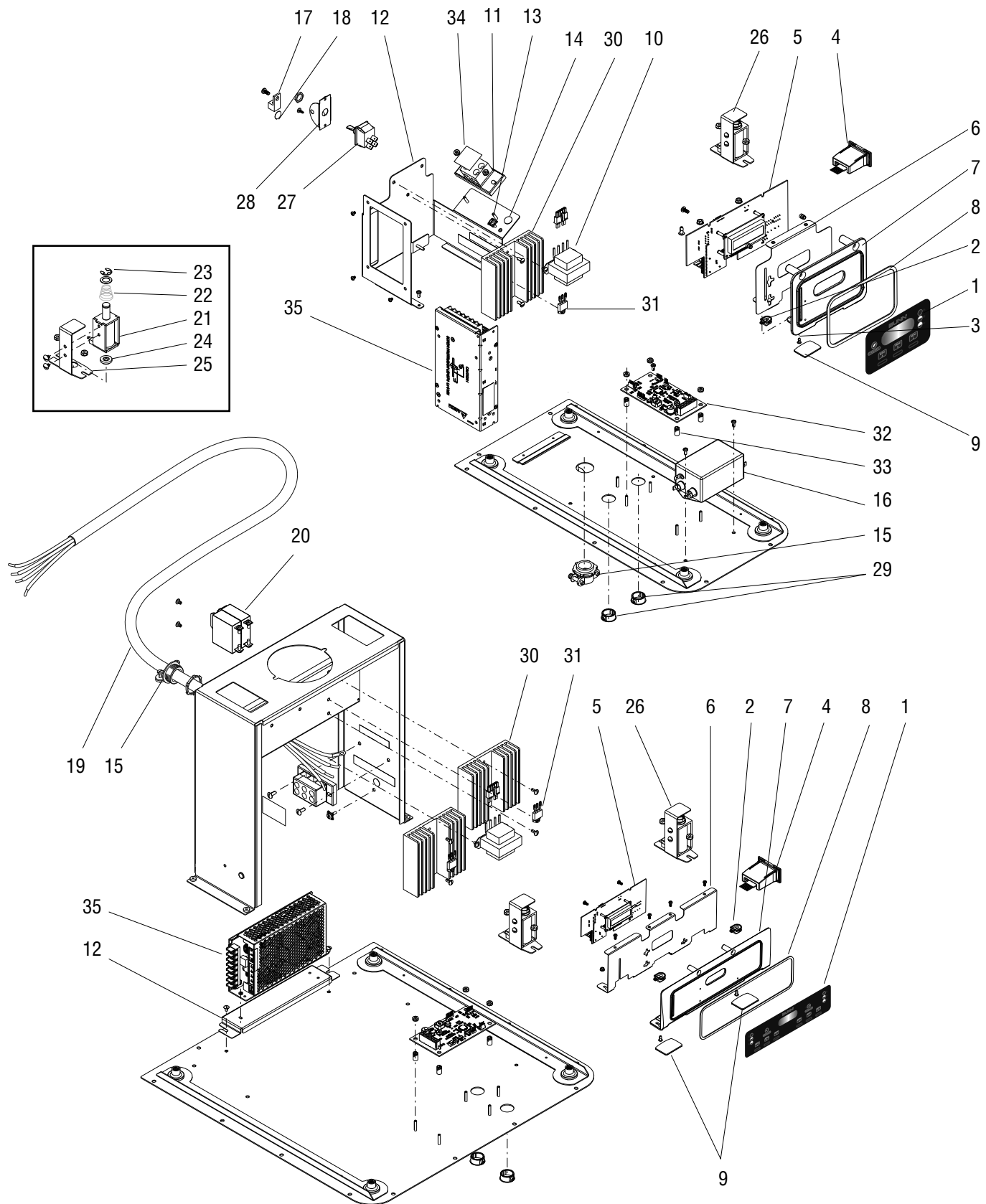
ITEM	PART NO.	QTY.	QTY.	DESCRIPTION
		TWIN	SINGLE	
19	32657.0001	1	1	Power Cord 120V
	42749.0033	-	1	Power Cord 230V
20	38894.0001	1	-	Switch, Rocker - Main On/Off
	01308.0003	2	-	Screw, Truss Head #6-32 x .25"
21	35955.0000	2	1	Coil, Solenoid 120V
	35955.0001	-	1	Coil, Solenoid 200V
	33613.0000	4	2	Screw, Truss Head #8-32 x .25"
	01519.0000	4	2	Lockwasher, Split #8
22	39982.0000	1	1	Spring
23	39981.0000	2	1	Retaining Ring
24	35953.0000	2	1	Guide, Pin
25	38280.0001	1	1	Bracket
26	35952.1006	2	1	Solenoid Assembly 120V (Includes 21-25)
	35952.0007	-	1	Solenoid Assembly 230V (Includes 21-25)
	00970.0000	4	2	Nut, Keps #8-32
27	40763.0001	-	1	Switch, Toggle 120V
	28004.0000	-	1	Switch, Toggle 230V
	23696.0000	-	1	Facenut
28	25102.0001	-	1	Bracket, Switch "I/O"
	28098.0000	-	1	Fastener, Snap
29	00669.0006	2	2	Plug
30	20541.0001	2	1	Heatsink
	01382.0007	4	2	Screw, 6-32 x .375
31	12565.0034	2	1	Triac 120V
	12565.0039	-	1	Triac 230V
	02328.0003	2	1	Screw, 6-32 x .312"
	01520.0000	2	1	Lock Washer
	M2522.1000	-	-	Heat Sink Compound, 5oz Tube
32	52913.1000	1	1	Circuit Board, Comm
	00973.0001	4	4	Nut
33	29081.0000	4	4	Spacer
34	10367.0001	1	1	Decal, Terminal Block 120V
	10608.0003	-	1	Decal, Terminal Block 230V
35	33363.1006	1	1	Power Supply 120V
	33363.0007	-	1	Power Supply 230V
	24003.0201	4	4	Screw

Continued on next page



ELECTRICAL AND OPERATING CONTROLS

ICB SH Series



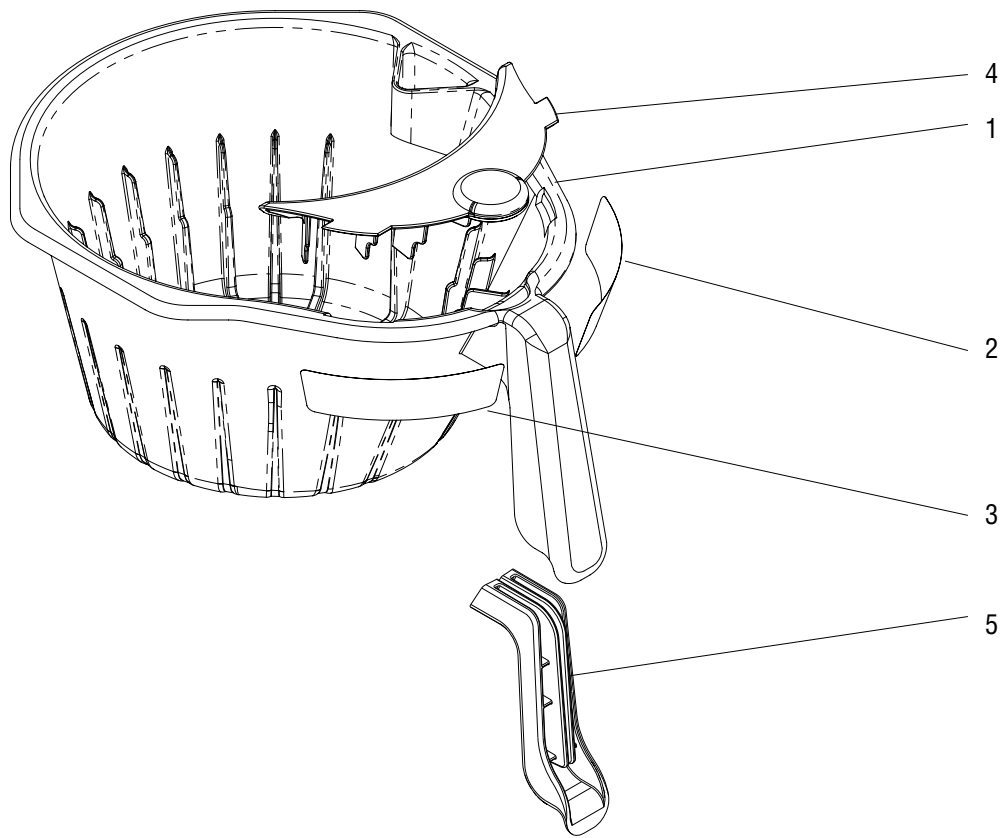
ELECTRICAL AND OPERATING CONTROLS

ITEM	PART NO.	QTY. TWIN	QTY. SINGLE	DESCRIPTION
The following items are not illustrated				
35	36677.0029	-	1	Wiring Harness, Main 120V
	38040.0013	1	-	Wiring Harness, Main
	38040.0014	1	-	Wiring Harness, Main 230V
36	37494.0000	-	1	Wiring Harness, Liquid Level 120V
	37494.0003	1	-	Wiring Harness, Liquid Level
	37494.0004	1	-	Wiring Harness, Liquid Level 230V
37	36675.0000	1	1	Wiring Harness, Sensing Coil (Left & Single)
	36675.0001	1	-	Wiring Harness, Sensing Coil (Right Side Only)
38	34707.0013	-	1	Wiring Harness, EMI Filter (230V CE models only)
39	40081.0002	-	1	Wiring Harness, Toggle Switch to Term Blk
40	47438.0000	1	-	Lead Assembly, Main Switch to Triacs)
41	22918.0002	-	2	Thermal Fuze (230V CE models only)
42	44022.0000	1	1	Wiring Harness, x-former to CBA
43	53283.0001	1	1	Wiring Harness, SH Comm Board 120V
	53283.0002	1	1	Wiring Harness, SH Comm Board 230V



FUNNELS

ICB SH
Series



FUNNELS

ITEM	PART NO.	QTY. TWIN	QTY. SINGLE	DESCRIPTION
-	53463.0001	2	1	Funnel Assy, Plastic (Includes Items 1 thru 4)
1	53309.0000	2	1	Funnel Body
2	03408.0009	2	1	Decal, Caution-Remove Funnel
3	03409.0007	2	1	Decal, Caution-Hot Liquid
4	53374.0000	2	1	Splash Guard
5	53544.0000	2	1	Insert, Funnel Handle

NUMERICAL INDEX

PART NO.	PAGE NO.	PART NO.	PAGE NO.	PART NO.	PAGE NO.	PART NO.	PAGE NO.
00600.0000	17	12565.0034	21	35955.0000	21	51337.0003	19
00601.0000	17	12565.0039	21	35955.0001	21	51505.0002	19
00656.0001	7	20203.0100	11	35956.0000	19	51506.0000	9
00658.0000	7	20541.0001	21	36233.0001	13	52112.0000	15
00669.0006	21	20976.1000	13,17	36233.1000	13	52649.0000	9
00824.0001	19	20976.1001	13,17	36378.0001	13	52652.0000	7
00824.0002	19	20976.1002	13,17	36604.0000	11	52655.1000	7
00908.0000	11	22918.0002	11,23	36605.0000	11	52656.1000	7
00942.0000	11	23696.0000	21	36606.0001	11	52668.0000	9
00943.0000	11	24003.0201	21	36608.0002	5	52706.0001	5
00950.0000	17	25102.0001	21	36675.0000	23	52842.0100	17
00970.0000	11,15,17,21	25151.0002	5	36675.0001	23	52847.0000	17
00971.0000	19	25151.0003	5	36677.0029	23	52847.0001	17
00973.0000	9	26846.0000	15	37297.1001	13	52864.0000	19
00973.0001	21	26846.0002	15	37494.0000	23	52867.0000	9
00986.0000	7	27181.0001	9	37494.0003	23	52867.0001	9
01075.0000	15	27370.0003	15	37494.0004	23	52870.0000	7
01106.0003	19	27370.0005	15	37776.0005	11	52870.0001	7
01268.0000	17	27705.0000	19	37782.0004	11	52872.1001	7
01308.0002	5,19	27748.0000	9	37804.0000	19	52873.1000	7
01308.0003	21	27788.0000	9	37881.0000	5,7	52877.0000	9
01311.0004	5	28004.0000	21	37953.0004	9	52879.0000	17
01315.0000	7,17	28098.0000	21	37967.0000	5	52887.1000	19
01317.0000	19	29081.0000	21	38040.0013	23	52904.0001	19
01317.0003	7	29164.0000	17	38040.0014	23	52913.1000	21
01317.0005	17	29165.0002	17	38114.0000	11	52938.0000	19
01382.0007	21	29264.0000	17	38280.0001	21	52941.0001	19
01501.0000	11	29329.1000	11	38894.0001	21	52945.0000	17
01511.0000	11	29485.1005	11	38969.0003	11	52947.0001	19
01519.0000	21	29485.1006	11	39085.1001	11	53049.0000	5
01520.0000	21	32283.0000	13	39175.0000	7	53049.0001	5
01521.0000	9	32572.1000	19	39981.0000	21	53283.0001	23
01544.0000	17	32591.1001	15,17	39982.0000	21	53283.0002	23
01590.0000	19	32591.1002	15,17	40041.0000	9	53309.0000	25
02308.0000	5,7,9,19	32591.1003	15,17	40042.0000	9	53328.0000	7
02328.0003	21	32591.1004	15,17	40081.0002	23	53344.0000	19
02328.0004	19	32657.0001	21	40670.1017	15	53344.0001	19
02329.0000	9	33363.0007	21	40763.0001	21	53374.0000	25
02360.0000	9	33363.1006	21	42749.0033	21	53378.0001	19
02712.0003	5	33613.0000	21	43644.0000	13	53450.0000	9
02755.1002	11	33801.0003	11	44022.0000	23	53450.1000	9
03260.1026	17	34307.1001	19	44724.0000	9	53463.0001	25
03408.0009	25	34307.1002	19	44736.1021	5	53492.0000	11
03409.0007	25	34707.0013	23	44736.1023	5	53492.0001	11
05037.1002	11	34801.0001	15	45313.0000	13	53494.0000	7
05746.0000	19	34868.0000	15	45860.1008	7	53494.0001	7
07038.0000	19	34956.0013	15	45928.0000	15,17	53544.0000	25
07412.1002	11	34956.0014	15	46028.0000	13	M2522.1000	21
10367.0001	21	35332.0000	17	46884.0000	13		
10608.0003	21	35758.0002	17	47438.0000	23		
11630.0001	13	35937.0002	11	48455.0001	19		
12422.0001	13	35952.0007	21	50159.0000	19		
12422.0005	15,17	35952.1006	21	51315.0002	17		
12422.0009	15,17	35953.0000	21	51337.0002	19		