

BUNN®

IMIX®-3



ILLUSTRATED PARTS CATALOG

Designs, materials, weights, specifications, and dimensions for equipment or replacement parts are subject to change without notice.

BUNN-O-MATIC CORPORATION

POST OFFICE BOX 3227

SPRINGFIELD, ILLINOIS 62708-3227

PHONE: (217) 529-6601 FAX: (217) 529-6644



BUNN-O-MATIC COMMERCIAL PRODUCT WARRANTY

Bunn-O-Matic Corp. ("BUNN") warrants equipment manufactured by it as follows:

- 1) Airpots, thermal carafes, decanters, GPR servers, iced tea/coffee dispensers, MCR/MCP/MCA single cup brewers, thermal servers and ThermoFresh® servers (mechanical and digital) 1 year parts and 1 year labor.
- 2) All other equipment - 2 years parts and 1 year labor plus added warranties as specified below:
 - a) Electronic circuit and/or control boards - parts and labor for 3 years.
 - b) Compressors on refrigeration equipment - 5 years parts and 1 year labor.
 - c) Grinding burrs on coffee grinding equipment to grind coffee to meet original factory screen sieve analysis - parts and labor for 4 years or 40,000 pounds of coffee, whichever comes first.

These warranty periods run from the date of installation BUNN warrants that the equipment manufactured by it will be commercially free of defects in material and workmanship existing at the time of manufacture and appearing within the applicable warranty period. This warranty does not apply to any equipment, component or part that was not manufactured by BUNN or that, in BUNN's judgment, has been affected by misuse, neglect, alteration, improper installation or operation, improper maintenance or repair, non periodic cleaning and descaling, equipment failures related to poor water quality, damage or casualty. In addition, the warranty does not apply to replacement of items subject to normal use including but not limited to user replaceable parts such as seals and gaskets. This warranty is conditioned on the Buyer 1) giving BUNN prompt notice of any claim to be made under this warranty by telephone at (217) 529-6601 or by writing to Post Office Box 3227, Springfield, Illinois 62708-3227; 2) if requested by BUNN, shipping the defective equipment prepaid to an authorized BUNN service location; and 3) receiving prior authorization from BUNN that the defective equipment is under warranty.

THE FOREGOING WARRANTY IS EXCLUSIVE AND IS IN LIEU OF ANY OTHER WARRANTY, WRITTEN OR ORAL, EXPRESS OR IMPLIED, INCLUDING, BUT NOT LIMITED TO, ANY IMPLIED WARRANTY OF EITHER MERCHANTABILITY OR FITNESS FOR A PARTICULAR PURPOSE. The agents, dealers or employees of BUNN are not authorized to make modifications to this warranty or to make additional warranties that are binding on BUNN. Accordingly, statements by such individuals, whether oral or written, do not constitute warranties and should not be relied upon.

If BUNN determines in its sole discretion that the equipment does not conform to the warranty, BUNN, at its exclusive option while the equipment is under warranty, shall either 1) provide at no charge replacement parts and/or labor (during the applicable parts and labor warranty periods specified above) to repair the defective components, provided that this repair is done by a BUNN Authorized Service Representative; or 2) shall replace the equipment or refund the purchase price for the equipment.

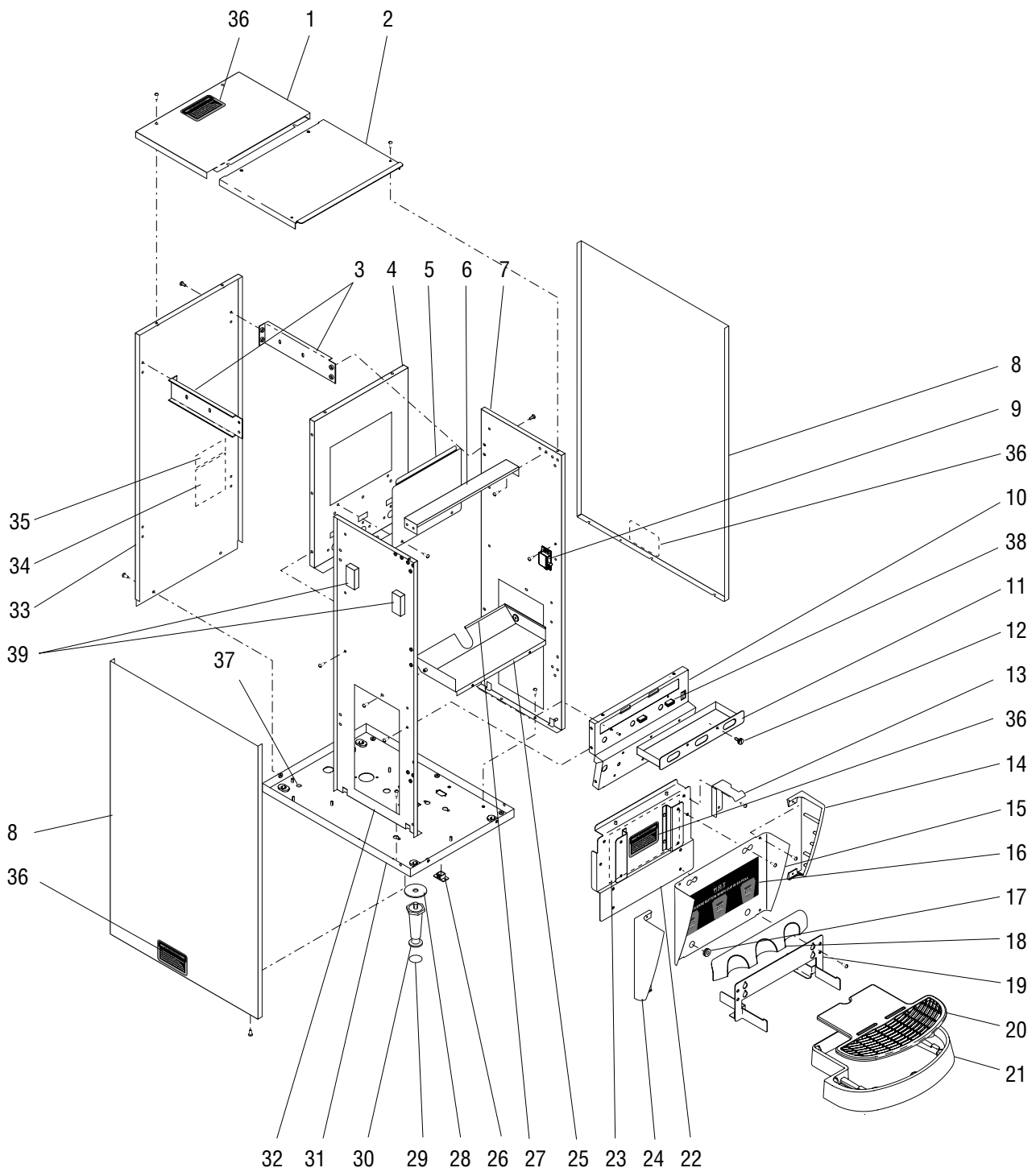
THE BUYER'S REMEDY AGAINST BUNN FOR THE BREACH OF ANY OBLIGATION ARISING OUT OF THE SALE OF THIS EQUIPMENT, WHETHER DERIVED FROM WARRANTY OR OTHERWISE, SHALL BE LIMITED, AT BUNN'S SOLE OPTION AS SPECIFIED HEREIN, TO REPAIR, REPLACEMENT OR REFUND.

In no event shall BUNN be liable for any other damage or loss, including, but not limited to, lost profits, lost sales, loss of use of equipment, claims of Buyer's customers, cost of capital, cost of down time, cost of substitute equipment, facilities or services, or any other special, incidental or consequential damages.

392, A Partner You Can Count On, Air Infusion, AutoPOD, AXIOM, BrewLOGIC, BrewMETER, Brew Better Not Bitter, BrewWISE, BrewWIZARD, BUNN Espresso, BUNN Family Gourmet, BUNN Gourmet, BUNN Pour-O-Matic, BUNN, BUNN with the stylized red line, BUNNlink, Bunn-O-Matic, Bunn-O-Matic, BUNNserve, BUNNSERVE with the stylized wrench design, Cool Froth, DBC, Dr. Brew stylized Dr. design, Dual, Easy Pour, EasyClear, EasyGard, FlavorGard, Gourmet Ice, Gourmet Juice, High Intensity, iMIX, Infusion Series, Intellisteam, My Café, Phase Brew, PowerLogic, Quality Beverage Equipment Worldwide, Respect Earth, Respect Earth with the stylized leaf and coffee cherry design, Safety-Fresh, savemycoffee.com, Scale-Pro, Silver Series, Single, Smart Funnel, Smart Hopper, SmartWAVE, Soft Heat, SplashGard, The Mark of Quality in Beverage Equipment Worldwide, ThermoFresh, Titan, trifecta, TRIFECTA (stylized logo), Velocity Brew, Air Brew, Beverage Bar Creator, Beverage Profit Calculator, Brew better, not bitter., Build-A-Drink, BUNNSource, Coffee At Its Best, Cyclonic Heating System, Daypart, Digital Brewer Control, Element, Milk Texturing Fusion, Nothing Brews Like a BUNN, Picture Prompted Cleaning, Pouring Profits, Signature Series, Sure Tamp, Tea At Its Best, The Horizontal Red Line, Ultra are either trademarks or registered trademarks of Bunn-O-Matic Corporation. The commercial trifecta® brewer housing configuration is a trademark of Bunn-O-Matic Corporation.

TABLE OF CONTENTS

TITLE	PAGE NO.
Auger Drive and Hopper Assembly	12
Covers, Panels and Drip Tray	4
Dispense Valves and Lines.....	20
Door, Lamp, Dispense Switches and Panels	8
Electrical Controls.....	22
Mixing/Whipper Chambers and Drive Motor.....	14
Numerical Index.....	24
Tank, Heater and Overflow Protection	16



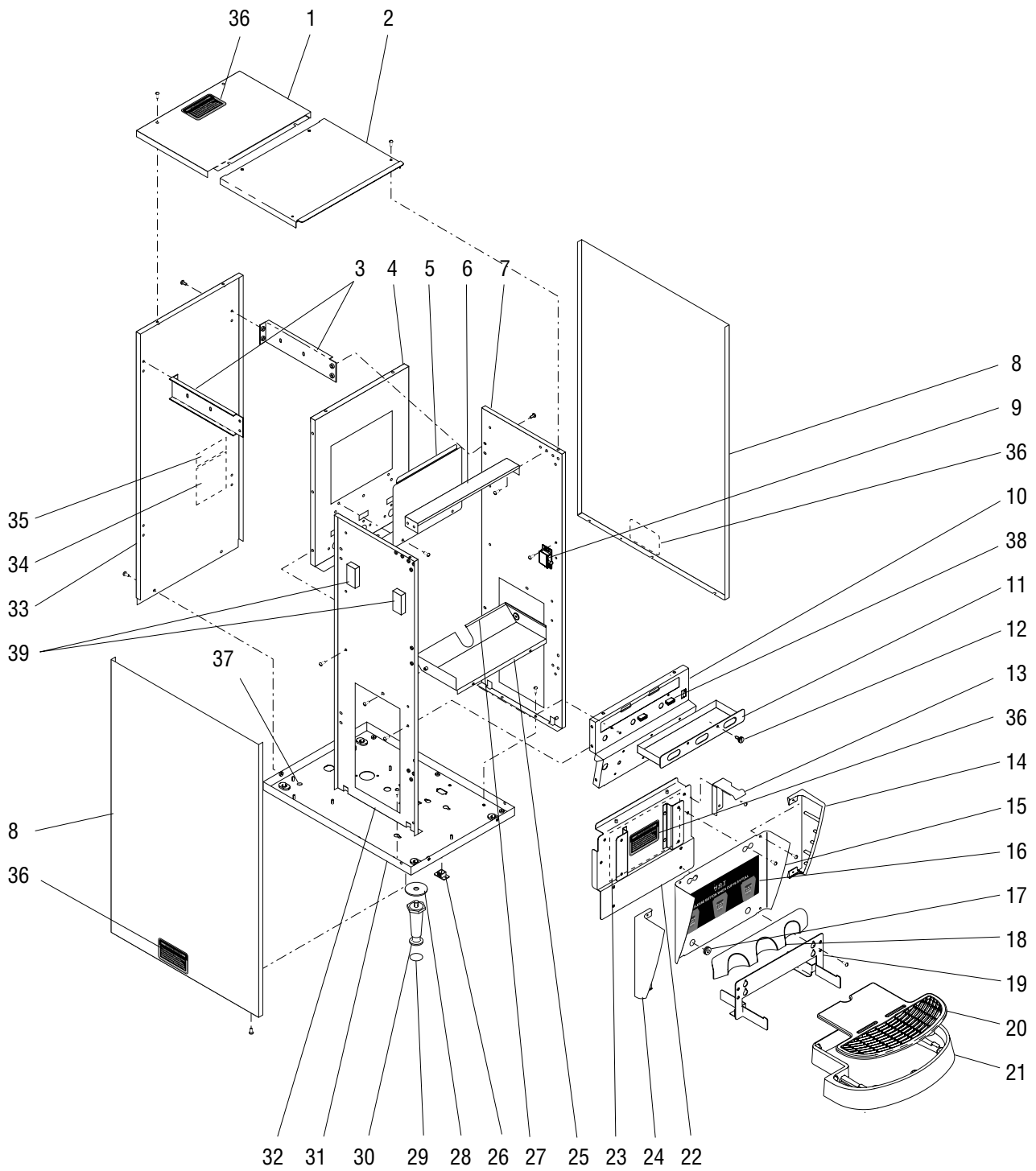
COVERS, PANELS AND DRIP TRAY

ITEM	PART NO.	QTY.	DESCRIPTION
1	36958.0001	1	Cover, Top Rear - BLK
	36958.0002	1	Cover, Top Rear - SST
	01311.0003	2	Screw, Truss Head BLK #8-32 x .25"
	01311.0000	2	Screw, Truss Head SST #8-32 x .25"
2	36959.0001	1	Cover, Top Front - BLK
	36959.0002	1	Cover, Top Front - SST
	01311.0003	2	Screw, Truss Head BLK #8-32 x .25"
	01311.0000	2	Screw, Truss Head SST #8-32 x .25"
	01382.0002	2	Screw, Truss Head BLK #6-32 x .375"
	01308.0000	2	Screw, Truss Head SST #6-32 x .375"
3	35926.0000	4	Bracket, Side Support
	01311.0001	8	Screw, Truss Head - Locking #8-32 x .25"
4	36967.0002	1	Panel, Inner Rear
	01311.0001	6	Screw, Truss Head - Locking #8-32 x .25"
5	36968.0001	1	Panel, Inner Access
	01311.0000	2	Screw, Truss Head #8-32 x .25"
6	36986.0000	1	Strap, Top Support
	01311.0001	4	Screw, Truss Head - Locking #8-32 x .25"
7	36230.0001	1	Panel, Inner Right (Right Hinged Door)
	36230.0002	1	Panel, Inner Right (Left Hinged Door)
	01311.0001	2	Screw, Truss Head - Locking #8-32 x .25"
8	35912.0001	2	Panel, Side - BLK
	35912.0002	2	Panel, Side - SST
	01311.0003	6	Screw, Truss Head BLK #8-32 x .25"
	01311.0000	6	Screw, Truss Head SST #8-32 x .25"
9	34666.0000	1	Catch, Door Latch
	02336.0000	2	Screw, Truss Head #4-40 x .375"
	01509.0001	2	Lockwasher, Int.-tooth #4
10	36965.0000	1	Panel, Whipper Motor (Early Models)
	36965.0003	1	Panel, Whipper Motor (Late Models)
	01311.0001	6	Screw, Truss Head - Locking #8-32 x .25"
11	36978.0000	1	Tray, Powder Box (Early Models)
	36978.0001	1	Tray, Powder Box (Late Models)
12	37988.0000	2	Screw, Captive #10-32 x .50" (Early Models)
	34998.0000	2	E-Ring, Retaining .127" OD
13	36644.0000	1	Bracket, Door Locking
	01311.0001	2	Screw, Truss Head - Locking #8-32 x .25"
14	36743.0001	1	Cap, Splash Panel Right
	44224.0000	2	Screw, Pan Head Plastite #6 x .375"
15	37498.1000	1	Panel W/Decal, Splash (Includes items 14, 16, 17, 18, & 24)(Self Serve Models)
	37498.1001	1	Panel W/Decal, Splash (Includes items 14, 16, 17, 18, & 24)(Portion Control)
16	28328.0011	1	Decal, Caution-Hot Liquid & Cup (Self Serve Models)
	28328.0013	1	Decal, Caution-Hot Liquid & Cup (Portion Control)

(Continued)

* Indicates the part number listed is for reference only. See DESCRIPTION for possible service replacement.

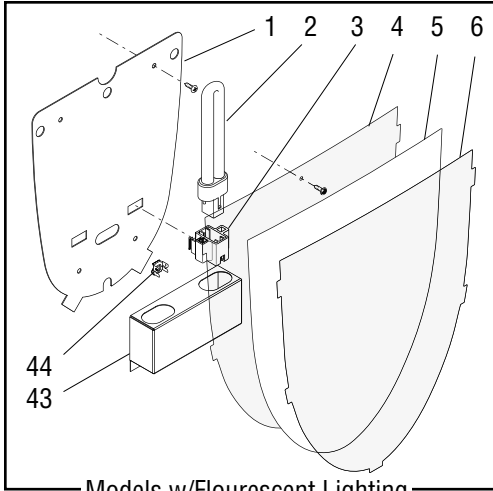
(Continued)



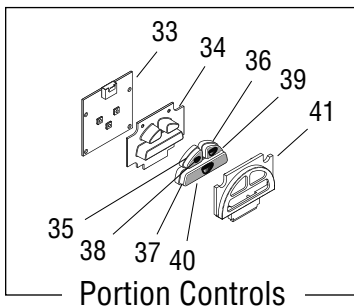
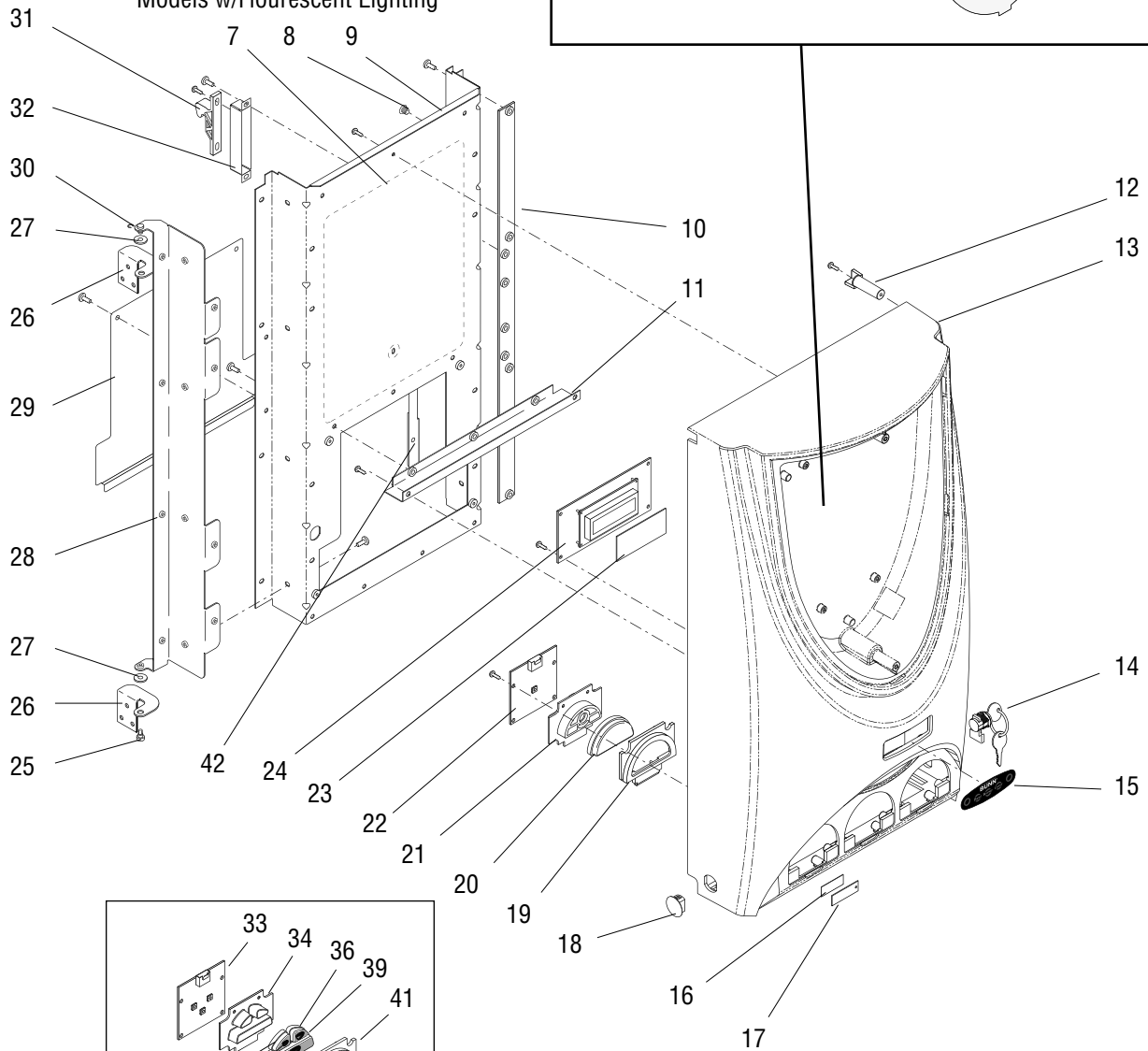
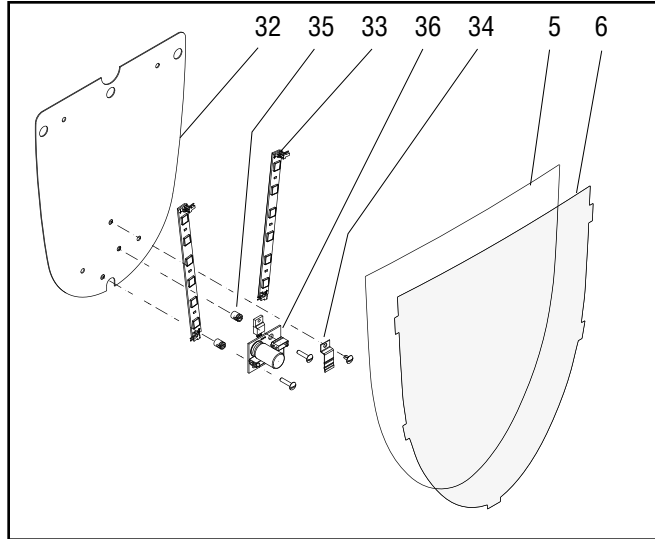
COVERS, PANELS AND DRIP TRAY

ITEM	PART NO.	QTY.	DESCRIPTION
17	02536.0000	2	Grommet, Silicone .375" ID
18	36983.0000	1	Guide, Cup
19	37462.0000	1	Bracket, Drip Tray
	01311.0001	2	Screw, Truss Head - Locking #8-32 x .25"
20	36985.0000	1	Cover, Drip Tray
21	36984.0000	1	Drip Tray
22	36972.1000	1	Panel, Lower Access (Includes item 23)
	01311.0000	3	Screw, Truss Head #8-32 x .25"
23	37478.0000	1	Schematic 120V (Doors with Fluorescent Lighting)
	37478.0010	1	Schematic 120V (Doors with LED Lighting)
	37478.0001	1	Schematic 230V (Doors with Fluorescent Lighting)
	37478.0011	1	Schematic 230V (Doors with LED Lighting)
24	36743.0000	1	Cap, Splash Panel Left
	44224.0000	2	Screw, Pan Head Plastite #6 x .375"
25	36974.0001	1	Shelf, Powder Box
	01311.0001	2	Screw, Truss Head - Locking #8-32 x .25"
	02336.0000	2	Screw, Truss Head #4-40 x .375"
26	36398.0000	1	Plug, Hole DB-9 (Early Models)
27	02434.0008*	4	Gasket, U-Channel 4.60" (Order item 41)
28	01526.0001	4	Washer, Flat .438" ID x 1.88" OD
29	03996.0000	4	Pad, Rubber 1.25" Dia. (Also see item 40)
30	26528.0000	4	Leg, 4.0" Adjustable (Also see item 40)
31	36963.0000	1	Panel, Bottom
32	36229.0001	1	Panel, Inner Left (Right Hinged Door)
	36229.0002	1	Panel, Inner Left (Left Hinged Door)
	01311.0001	2	Screw, Truss Head - Locking #8-32 x .25"
33	36961.1001	1	Panel Assembly, Rear - BLK (Includes items 34 and 35)
	36961.0002	1	Panel Assembly, Rear - SST
	01311.0003	11	Screw, Truss Head BLK #8-32 x .25"
	01311.0000	11	Screw, Truss Head SST #8-32 x .25"
34	00986.0000	1	Decal, Warning-Electrical
35	00656.0001	1	Decal, Comply to Plumbing Code
36	37881.0000	4	Decal, No Serviceable Parts
37	00824.0002	1	Decal, Grounding
38	21436.0000	2	Catch, Magnetic Snap-in (Late Models)
39	36896.0000	4	Pad, Styro 1.0" x 2.0" x 0.5"
40	13255.0003	-	Kit, Leg 4.0" Adjustable (Includes 4 each of items 29 & 30)
41	02434.1000	-	Gasket, U-Channel - 18" LG
	02434.1001	-	Gasket, U-Channel - 36" LG

* Indicates the part number listed is for reference only. See DESCRIPTION for possible service replacement.



Models w/Flourescent Lighting



Portion Controls

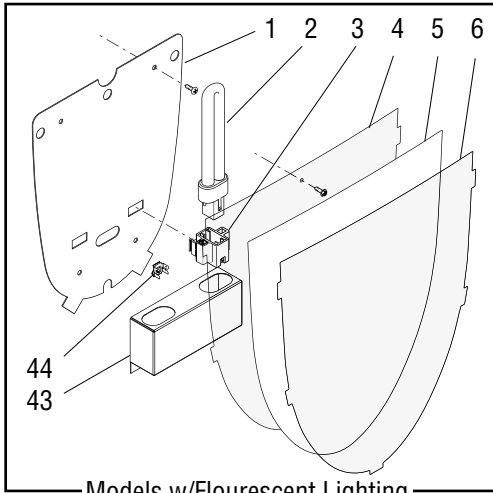
DOOR, LAMP, DISPENSE SWITCHES AND PANELS

ITEM	PART NO.	QTY.	DESCRIPTION
1	37466.0003 44224.0000	1 4	Panel, Lamp (Doors with Fluorescent Lights) Screw, Pan Head Plastite #6 x .375"
2	32806.0000	2	Lamp, Fluorescent - 7 Watts (Doors with Fluorescent Lights)
3	32807.0001	2	Lamp Holder, Fluorescent (Doors with Fluorescent Lights)
4	37456.0000 02336.0000	1 2	Lens, Fixed Screw, Truss Head #4-40 x .375"
5	37457.0000 37457.0006	1 1	Display, Graphics Display, Graphics Iced Coffee
6	37456.0001	1	Lens, Removable
7	37254.0003	1	Decal, Cleaning
8	36149.0000	8	Fastener, Snap-in .197" Hole
9	36667.1001 36667.1003 44224.0000 01311.0001	1 1 8 19	Panel, Door - Upper (Includes item 7)(Right Hinged Door) Panel, Door - Upper (Includes item 7)(Left Hinged Door) Screw, Pan Head Plastite #6 x .375" Screw, Truss Head Locking #8-32 x .25"
10	36658.0000	1	Flange, Door
11	36734.0001 44224.0000	1 2	Bracket, Inner Panel Screw, Pan Head Plastite #6 x .375"
12	36244.0000 44224.0000	1 1	Plug, Door Hinge Screw, Pan Head Plastite #6 x .375"
13	37096.0001 37096.0011	1 1	Door (Doors with Fluorescent Lights) Door (Doors with LED Lights)
14	32863.1000 28095.0000	1 1	Keylock W/Keys, Door Key Set
15	36231.0000 36231.0001	1 1	Switch, Membrane Program (Self Serve Models) Switch, Membrane Program (Portion Control Models)
16	36795.0000	3	Strip, Flavor Adhesive
17	36796.0001	3	Strip, Flavor Door
18	00669.0004	1	Plug, .75" x .625" hole
19	36762.0000	3	Switch Housing, Single Button (Self Serve Models)
20	36761.0000	3	Cover, Switch (Self Serve Models)
21	36763.0000	3	Switch Pad, Single Button (Self Serve Models)
22	37672.1000 44224.0000	3 12	Circuit Board Assy, Dispense Button (Self Serve Models) Screw, Pan Head Plastite #6 x .375"
23	37013.0000	1	Cover, LCD Door Lens
24	36147.1001 44224.0000	1 4	Circuit Board Assy, Display Screw, Pan Head Plastite #6 x .375"
25	24457.0002	1	Screw, .25" Shoulder #8-32
26	36647.0000 36647.0001 01311.0001	2 2 6	Bracket, Hinge (Left Side Hinge) Bracket, Hinge (Right Side Hinge) Screw, Truss Head #8-32 x .25" Locking
27	34362.0000	2	Bushing, Hinge

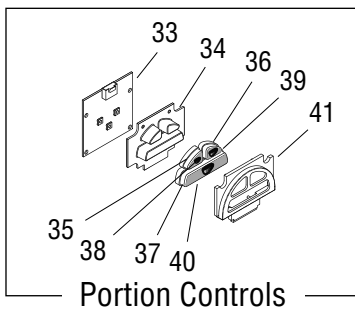
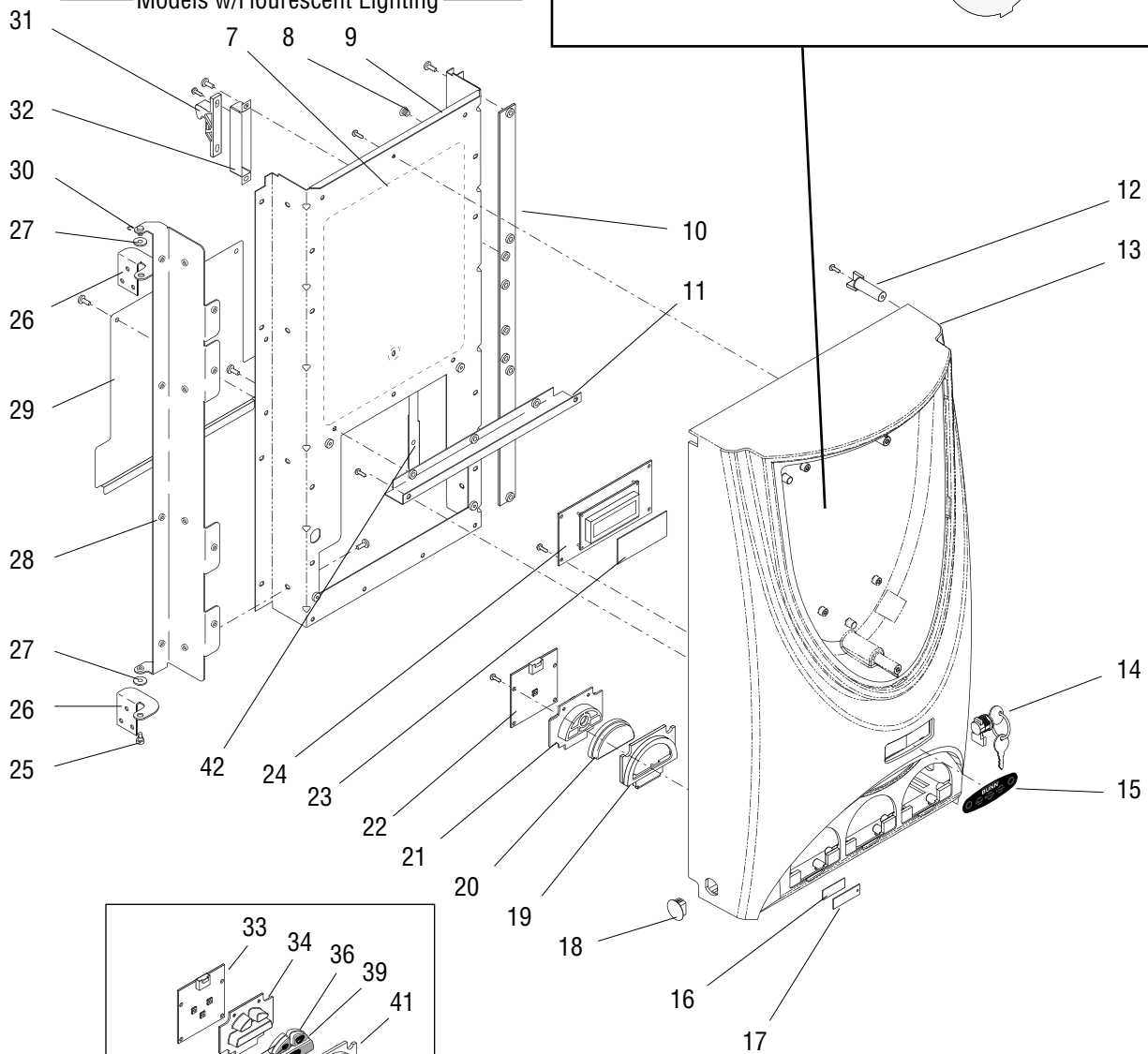
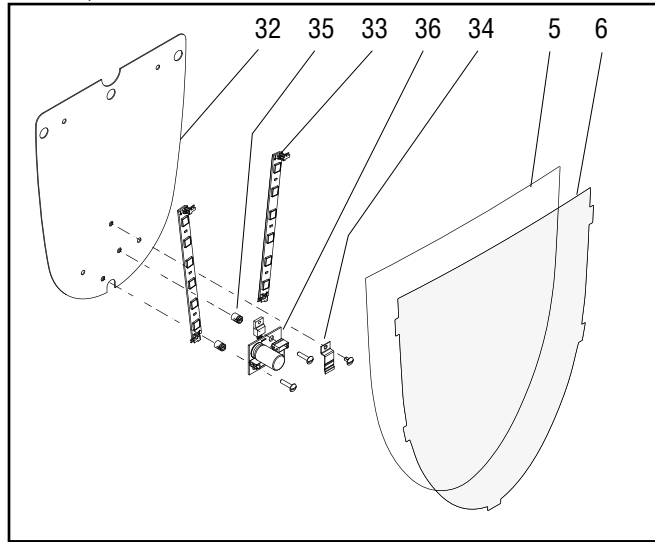
(Continued)

* Indicates the part number listed is for reference only. See DESCRIPTION for possible service replacement.

(Continued)



Models w/Flourescent Lighting



Portion Controls

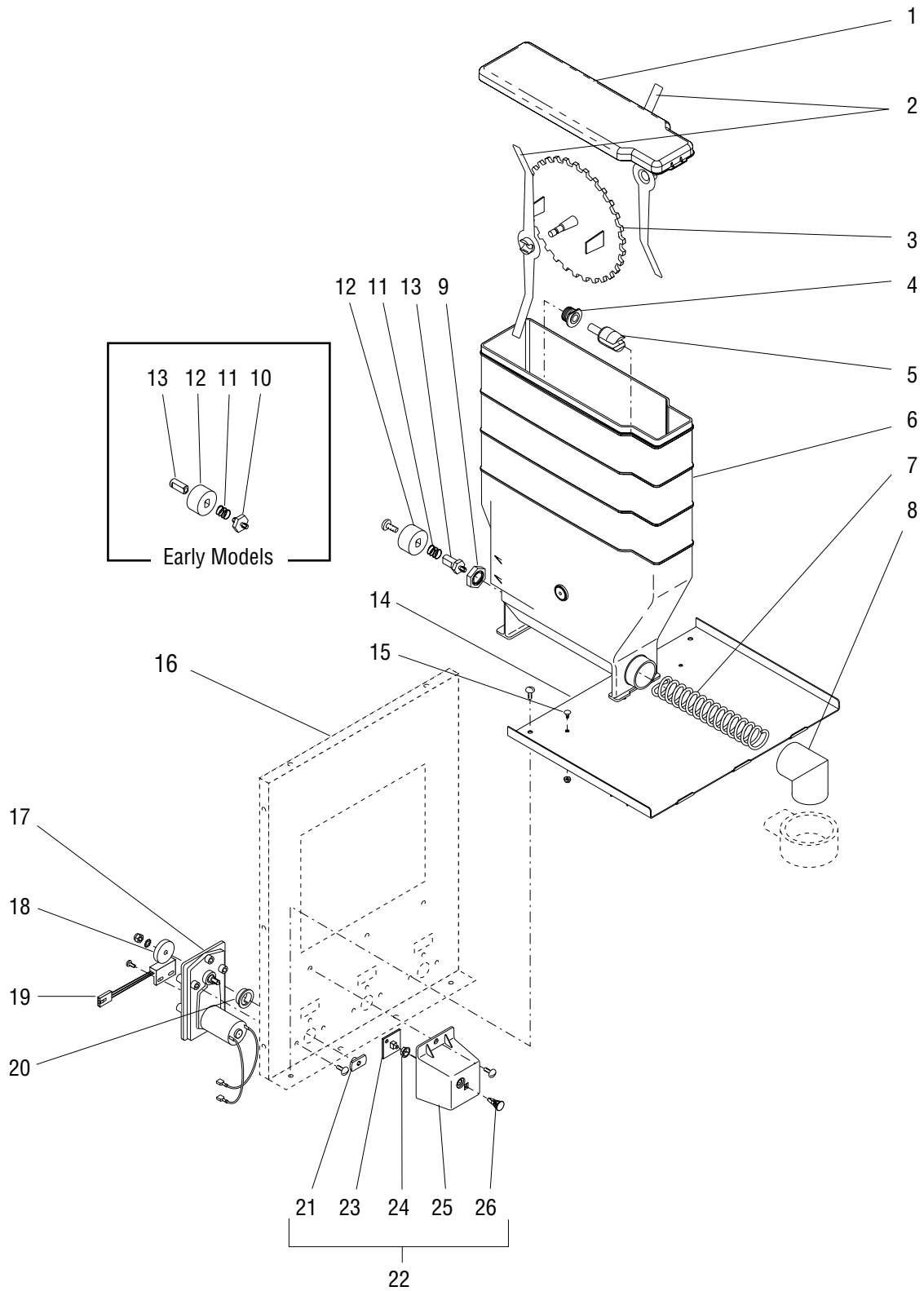
DOOR, LAMP, DISPENSE SWITCHES AND PANELS

ITEM	PART NO.	QTY.	DESCRIPTION
28	36661.0000	1	Flange, Door Hinge (Left Hinged Door)
	36661.0001	1	Flange, Door Hinge (Right Hinged Door)
29	36659.0001	1	Panel, Door - Lower (Right Hinged Door)
	36659.0003	1	Panel, Door - Lower (Left Hinged Door)
	01311.0000	2	Screw, Truss Head #8-32 x .25"
	01311.0001	1	Screw, Truss Head #8-32 x .25" Locking
30	01403.0000	1	E-Ring, External .188" Shaft
31	34667.0000	1	Keeper, Door Latch
	01382.0000	2	Screw, Truss Head #6-32 x .38"
32	36669.0000	1	Bracket, Keeper Mounting
	01311.0001	2	Screw, Truss Head #8-32 x .25" Locking
33	35877.1002	3	Circuit Board Assy, Dispense Button (Portion Control Models)
	38963.1000	3	Circuit Board Assy, Dispense Button (Portion Control Models)(RoHS Compliant)
	44224.0000	12	Screw, Pan Head Plastite #6 x .375"
34	36763.0002	3	Switch Pad, Three Button (Portion Control Models)
35	36761.0003	3	Switch Cover, Small (Portion Control Models)
36	36761.0004	3	Switch Cover, Medium (Portion Control Models)
37	36761.0002	3	Switch Cover, Large (Portion Control Models)
38	37823.0000*	3	Inlay, Switch Cover, Small (Portion Control Models)
39	37823.0001*	3	Inlay, Switch Cover, Medium (Portion Control Models)
40	37823.0002*	3	Inlay, Switch Cover, Large (Portion Control Models)
41	36762.0002	3	Switch Housing, Three Button (Portion Control Models)
42	40031.1000	1	Baffle Kit, Left Hand Hinge
	40031.1001	1	Baffle Kit, Right Hand Hinge
43	40032.0000	1	Bracket (Doors with Flourescent Lights)
44	28335.0000	1	Clip, Grounding (Doors with Flourescent Lights)

NOTE: The following items are not illustrated

45	39038.0000	1	Plate, Latch Mounting (Left Hinged Door)
	01382.0000	2	Screw, Truss Head #6-32 x .38"
46	26444.0000	2	Bushing, Strain Relief (Doors with Flourescent Lights)
	47555.0000	2	Bushing, Strain Relief (Doors with LED Lights)
47	36888.0000	1	Wiring Harness, Door (Incl. item 45)(Left Hinge)(Doors with Flourescent Lights)
	36888.0001	1	Wiring Harness, Door (Incl. item 45)(Right Hinge)(Doors with Flourescent Lights)
	47311.0001	1	Wiring Harness, Door (Right Hinge)(Doors with LED Lights)
48	36887.0003	1	Wiring Harness, Backlight (Doors with Flourescent Lights)
49	36889.0000	3	Wiring Harness, Dispense Button (Early Models)
50	38749.0000	1	Decal, Flavors (Almond Amaretto, Cappuccino, French Vanilla, Hazelnut, Chocolate Raspberry, Cappuccino Supreme, Hot Chocolate, Raspberry Mocha, Swiss Mocha, Mocha, Raspberry Vanilla, Irish Creme, Coffee, Original, Chocolate French Vanilla, Butter Pecan, White Chocolate, Cinnamon Vanilla Nut, Decaf, Regular, Apple Cider, Fat Free French Vanilla, Cinnamon Vanilla, English Toffee)
51	38749.0003	1	Decal, Iced Coffee Flavors (Espresso Latte, Mocha Latte, Colombian, Dark Roast, Raspberry Coffee, Hazelnut Coffee, French Vanilla Latte, Caramel Latte, Chai Tea Latte, Horchatta)
51	37823.1000	-	Inlay Kit (Includes items 38 - 40)

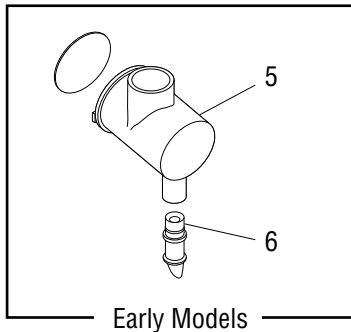
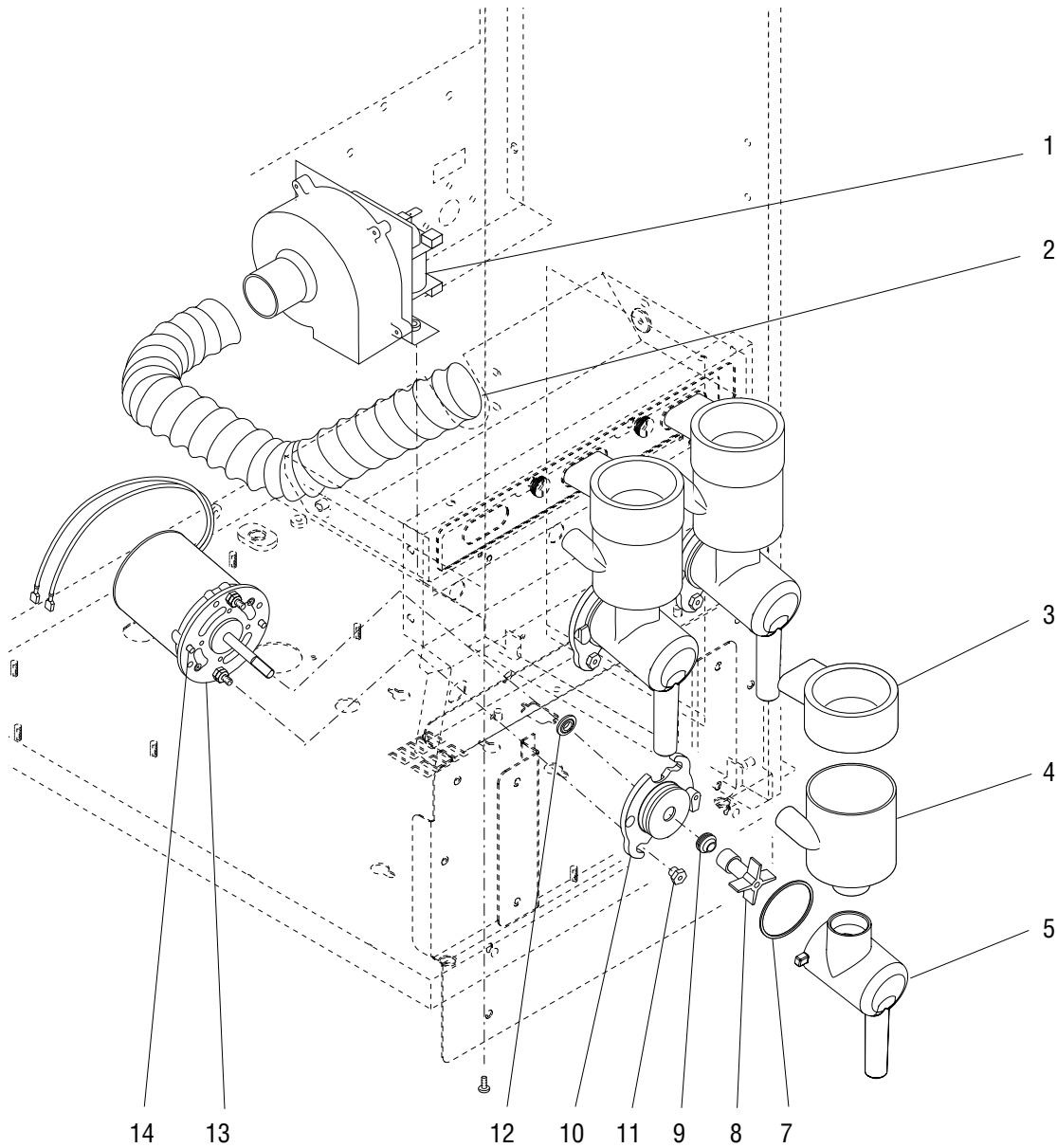
* Indicates the part number listed is for reference only. See DESCRIPTION for possible service replacement.



AUGER DRIVE AND HOPPER ASSEMBLY

ITEM	PART NO.	QTY.	DESCRIPTION
-	37010.1001	1	Hopper Assy (Includes one each of items 1-13)
1	36653.0001	3	Lid, Hopper
2	32337.0000	6	Mixing Blade
3	32386.0001	3	Disk, Agitator (30 Tooth)
4	28067.0000	3	Bushing, Auger Drive Shaft
5	26940.0002	3	Shaft, Auger Drive
6	37011.0001	3	Hopper
7	39442.0000	3	Auger, Wire
8	25903.0000	3	Elbow, Ejector
9	25743.0000	3	Locknut
10	36772.0000*	3	Coupling, Hex (Early models only)
11	36774.0000	3	Spring, Hopper Coupling
12	36770.0000	3	Coupling, Auger Drive
	01326.0002	3	Screw, Truss Head #10-32 x .25" (Late models only)
13	36771.0000*	3	Shaft, Auger Drive Coupling (Early models)
	37539.1000	3	Shaft, Auger Drive (Late models)
14	36970.0000	1	Panel, Hopper Support
	01311.0000	2	Screw, Truss Head #8-32 x .25" Locking
15	20960.0000	3	Screw, Shoulder #6-32 x .375"
	00991.0002	3	Nut, Elastic Lock #6-32
16	-----	-	See COVERS, PANELS & DRIP TRAYS
17	37037.0000	3	Gearmotor Assy, Auger (Each includes items 18 thru 21)
	01311.0000	9	Screw, Truss Head #8-32 x .25"
18	32654.0000	1	Magnet Hub, 8 Pole #10 ID x 1.0" OD
	01512.0000	1	Lockwasher, Ext Tooth #10
	00991.0003	1	Nut, Elastic Lock #10-32
19	33608.1000	1	Sensor Assy, RPM
	02336.0000	2	Screw, Truss Head #4-40 x .38"
20	26401.0000	1	Dust Seal, Hopper Motor
21	36773.0000	1	Plate, Auger Drive
22	37682.0000	3	Housing Assy, Sensor CB (Each includes items 23 thru 26)
	01315.0000	3	Screw, Truss Head #8-32 x .38"
23	38958.1000	1	CB Assy, Powder Sensor (Order item 22)
24	00970.0000	1	Nut, Keps #8-32
25	36243.0000	1	Housing Sensor CB
26	36764.0000	1	Spacer, Circuit Board
27	35260.0000	3	Cable Mount, Adhesive (Not Illustrated)

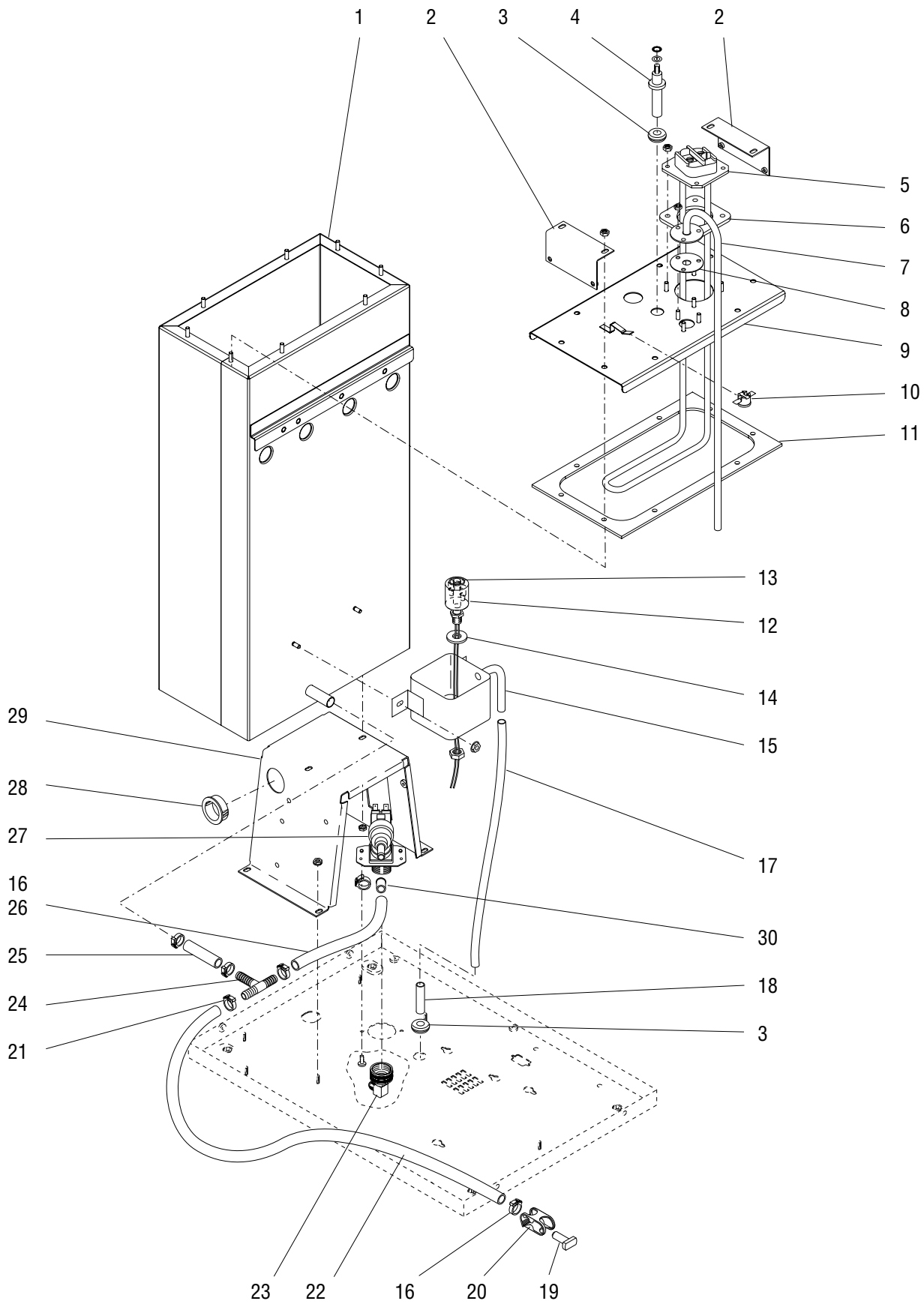
* Indicates the part number listed is for reference only. See DESCRIPTION for possible service replacement.



MIXING/WHIPPER CHAMBERS AND DRIVE MOTOR

ITEM	PART NO.	QTY.	DESCRIPTION
1	28295.0000	1	Fan & Bracket Assembly 120V
	28295.0001	1	Fan & Bracket Assembly 230V
	01311.0001	2	Screw, Truss Head - Locking #8-32 x .25"
2	28297.0001	1	Hose, Vacuum
3	25732.0000	3	Steam Collector
4	25733.0003	3	Mixing Chamber
5	25734.1000	3	Whipper Chamber (One Piece)
	25734.7002	3	Whipper Chamber (IMIX-3C)
6	25736.0000*	3	Dispense Tip (Early Models. Order item 5)
	25736.0001*	3	Dispense Tip, Red (Early Models. Order item 5)
7	24733.0010	3	O-Ring
8	25902.0000	3	Frother
9	26356.0000	3	Seal, Shaft
	26356.1000	-	Kit, Shaft Seal (Includes 6 Seals)
10	28866.0000	3	Receptacle, Whipper Chamber
11	28865.0000	6	Nut, Whipper Motor/Receptacle Mounting
12	28867.0000	3	Slinger
13	28428.1000	3	Motor, Whipper 120V (Includes item 14)
	28428.1002	3	Motor, Whipper 230V (Includes item 14)
14	32306.0000	6	Spacer
15	32906.0001	-	Kit, Preventive Maintenance (Includes items 3 thru 10 and 25903.0000 Elbow)

* Indicates the part number listed is for reference only. See DESCRIPTION for possible service replacement.



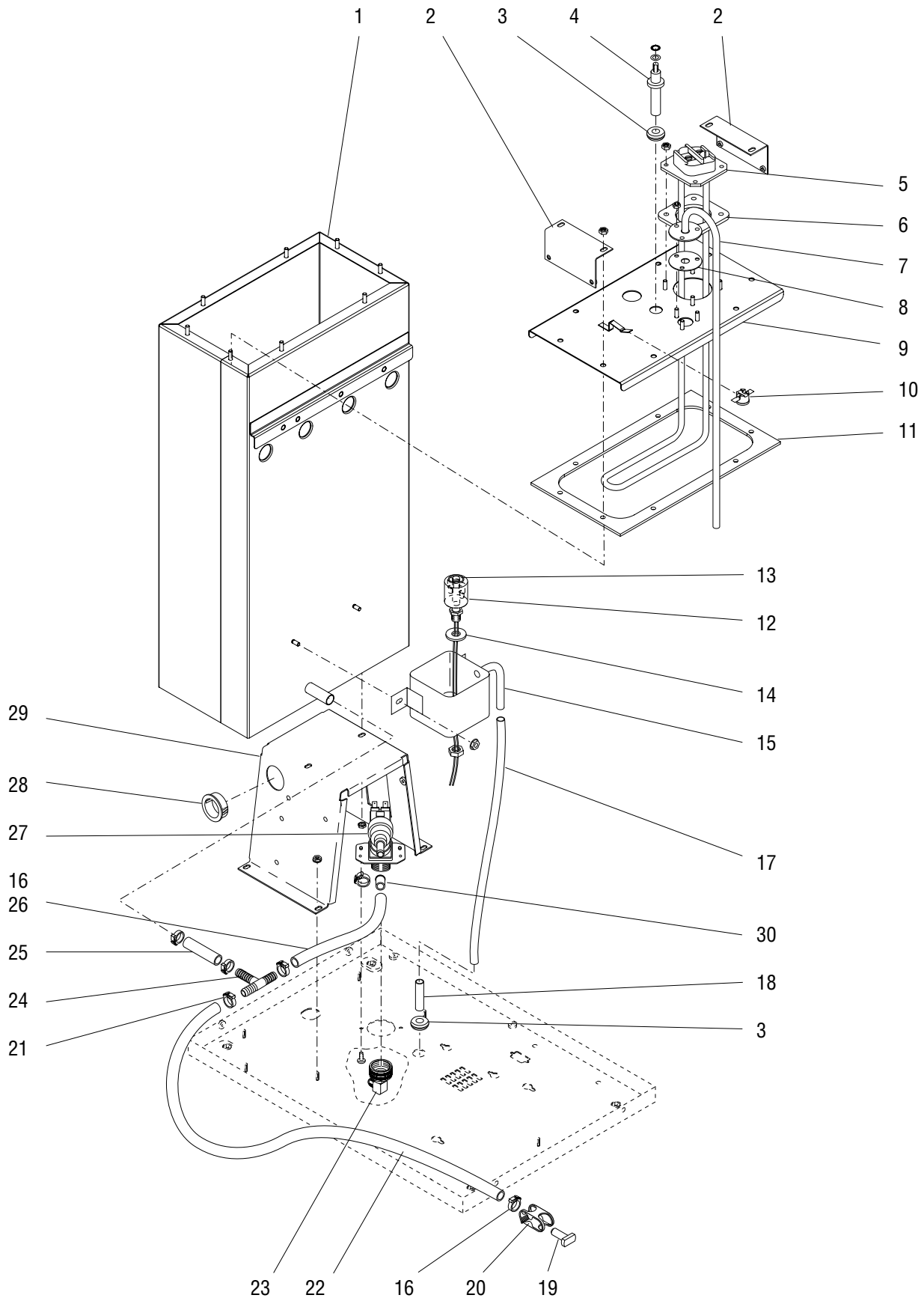
TANK, HEATER AND OVERFLOW PROTECTION

ITEM	PART NO.	QTY.	DESCRIPTION
1	-----	1	Tank, Rounded (For first replacement, order Squared Tank, Lid & Gasket)
	37098.0002	1	Tank, Squared (With copper overflow cup)
	37098.1004	1	Tank, Squared (With aluminum overflow cup)
	00970.0000	2	Nut, Keps #8-32
2	36226.0000	2	Bracket, Tank Mounting Upper
	00970.0000	4	Nut, Keps #8-32
3	02536.0000	2	Grommet, .375" I.D.
4	20936.1000	1	Probe Kit (Includes items indented below)
	20203.0100	1	Lockwasher, Internal Tooth #8
	01501.0000	1	Washer, Flat .164" ID x .375" OD
	00908.0000	1	Nut, #8-32
5	36741.1000	1	Tank Heater, 1700W 120V (Includes item 6)
	36741.1001	1	Tank Heater, 1320W 120V (Includes item 6)
	36740.1000	1	Tank Heater, 3500W 230V (Includes item 6)
	00908.0000	4	Nut, #8-32
6	12398.0000	1	Gasket, Tank Heater
7	36220.0000	1	Tube, Overflow
	00908.0000	3	Nut, #8-32
8	05515.0000	1	Gasket, Overflow Tube
9	-----	1	Lid, Rounded Tank (For first replacement, order Squared Tank, Lid & Gasket)
	35940.0002	1	Lid, Squared Tank
	00908.0000	4	Nut, Hex #8-32
10	29329.1000	1	Thermostat, Limit
11	35937.0001	1	Gasket, Rounded Tank Lid
	35937.0003	1	Gasket, Squared Tank Lid
12	03803.0002	1	Switch Assy, Liquid Level (Includes items 13 & 14)
	00946.0000	1	Nut, Hex .125" FPT
13	03807.0000	1	Clip, Spring
14	03633.0000	1	Gasket, Float Switch
15	22728.0000	1	Overflow Cup (Copper)
	00970.0000	2	Nut, Keps #8-32
	41259.1003	1	Overflow Cup (Aluminum)
	41266.0000	1	Film
	41280.0001	1	Elbow
	04797.0000	1	Washer
16	12422.0001	2	Clamp, Hose .59"/.66" ID
17	28526.0039*	1	Tube, Silicone .312" ID x 9.5" (Order item 32)
18	21801.0015	1	Tube .375" O.D. x 1.50" LG

(continued)

* Indicates the part number listed is for reference only. See DESCRIPTION for possible service replacement.

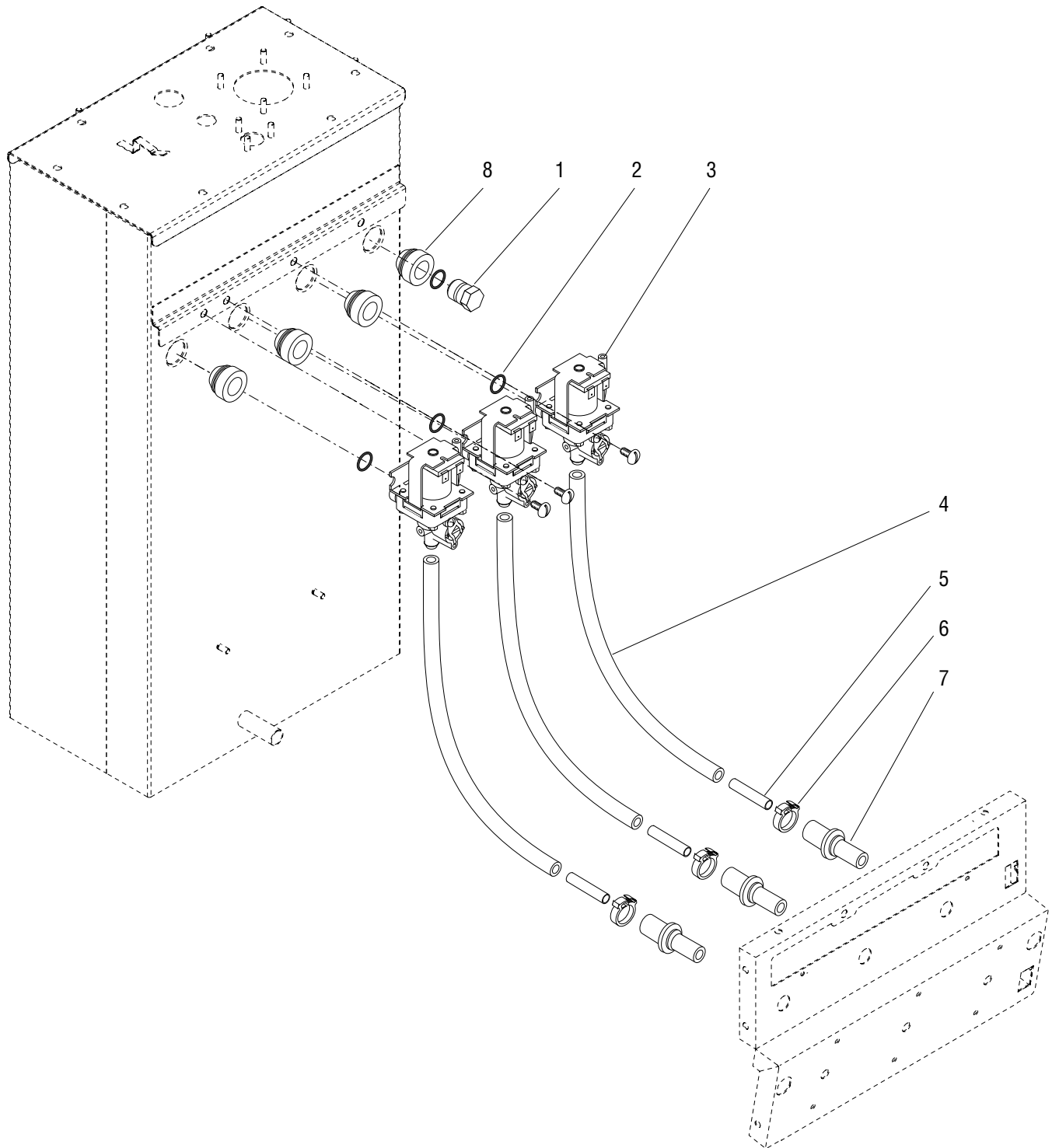
(continued)



TANK, HEATER AND OVERFLOW PROTECTION

ITEM	PART NO.	QTY.	DESCRIPTION	
19	34392.0000	1	Plug, Hose .375" ID	
20	11630.0001	1	Clamp, Shut Off	
21	12422.0005	4	Clamp, Hose .62"/.71" ID	
22	20976.0056*	1	Tube, Silicone .375" ID x 28.0" (Order item 33)	
23	37297.0006	1	Elbow, .25" Flare x .75" FTHRD	
24	38948.0000	1	Tee, .50" Barb	
25	20976.0017*	1	Tube, Silicone .375" ID x 2.0" (Order item 33)	
26	20976.0055*	1	Tube, Silicone .375" ID x 9.0" (Order item 33)	
27	36233.1000	1	Valve, Water Inlet 120V	} See item 36
	36233.0001	1	Valve, Water Inlet 230V	
	32283.0000	2	Screw, Pan Head M4 x 6MM	
28	01592.0001	1	Bushing, Snap 1.18" Dia. Hole	
29	37099.0000	1	Bracket, Tank Mounting Lower	
	00970.0000	4	Nut, Keps #8-32	
30	36378.0001	1	Valve, Check 2.5 psi	
31	36222.0001*	1	Insulation, Tank	} Not Illustrated
32	28526.1000	-	Tube, Silicone .312" ID x .562" OD x 12"	
	28526.1001	-	Tube, Silicone .312" ID x .562" OD x 36"	
	28526.1002	-	Tube, Silicone .312" ID x .562" OD x 60"	
	28526.1003	-	Tube, Silicone .312" ID x .562" OD x 120"	
33	20976.1000	-	Tube, Silicone, .375" ID x .50" OD x 12.0"	
	20976.1001	-	Tube, Silicone, .375" ID x .50" OD x 36.0"	
	20976.1002	-	Tube, Silicone, .375" ID x .50" OD x 120.0"	
34	35946.0002	1	Baffle	
35	34572.0000	2	Panel, Baffle Insert	
	34765.0000	4	Nut, Flanged #10-32	
36	43644.0000	-	Kit, Valve Rebuild	

* Indicates the part number listed is for reference only. See DESCRIPTION for possible service replacement.

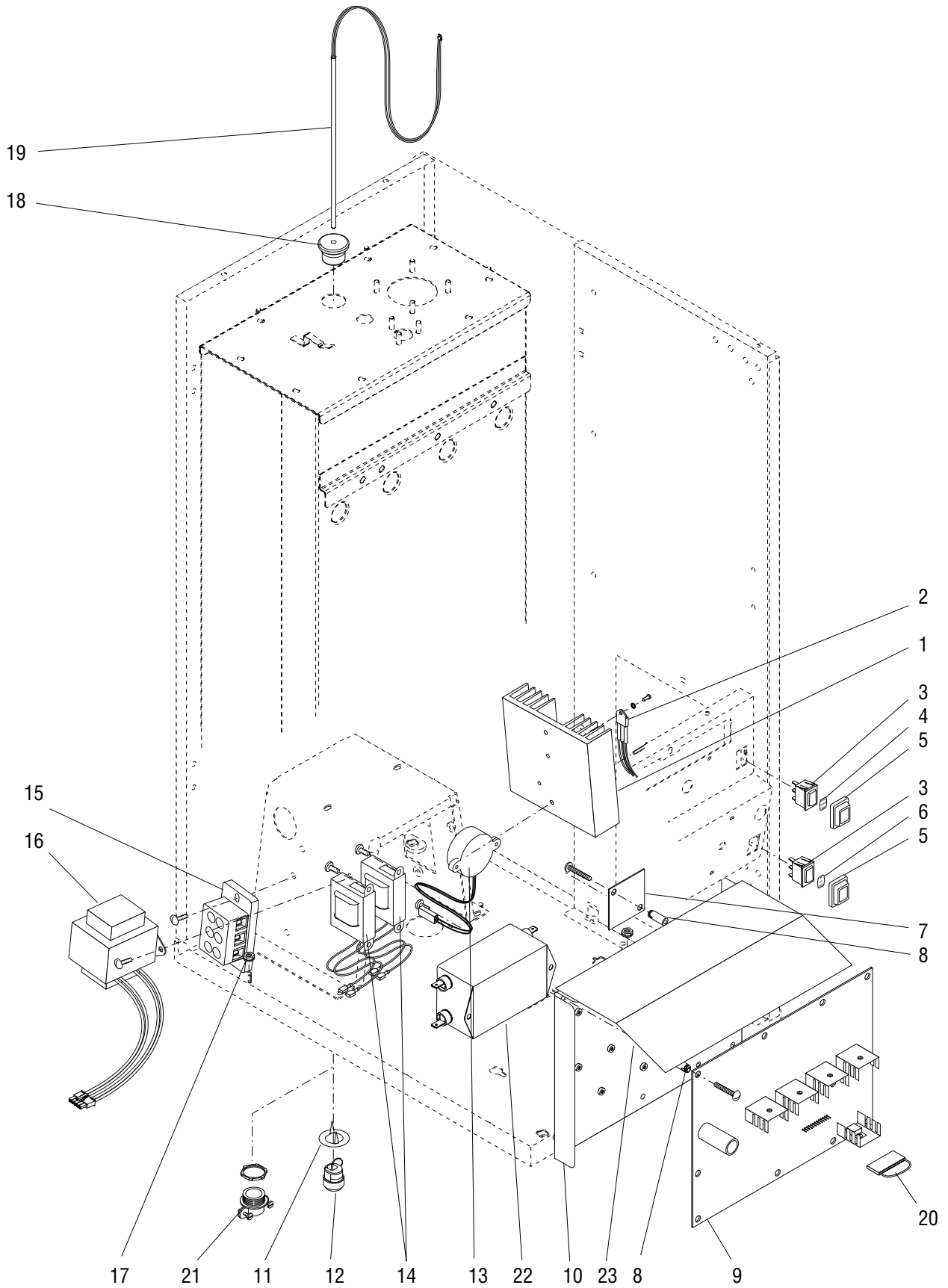


DISPENSE VALVES AND LINES

ITEM	PART NO.	QTY.	DESCRIPTION
1	26369.1000	1	Plug (Includes item 2)
2	24733.0011	4	O-Ring
3	39285.1001	3	Valve, Liquid Dispense 120V (Includes item 2)
	39285.1002	3	Valve, Liquid Dispense 230V (Includes item 2)
	01326.0000	3	Screw, Truss Head #10-32 x .25"
4	28526.0027*	3	Tube, Silicone .312" ID x 16.5" (Order item 9)
5	21801.0015	3	Tube, .375" OD x 1.50"
6	12422.0001	3	Clamp, Hose .59"/.66" ID
7	25803.0000	3	Water Inlet, Mixing Chamber
8	37970.0000	4	Grommet
9	28526.1001	-	Tube, Silicone .312" I.D. x .438" O.D. x 36"
	28526.1002	-	Tube, Silicone .312" I.D. x .438" O.D. x 60"
	28526.1003	-	Tube, Silicone .312" I.D. x .438" O.D. x 120"
10	45964.1000	-	Repair Kit, Dispense Valve (Includes Spring, Plunger, and Diaphragm)

} Not
Illustrated

* Indicates the part number listed is for reference only. See DESCRIPTION for possible service replacement.



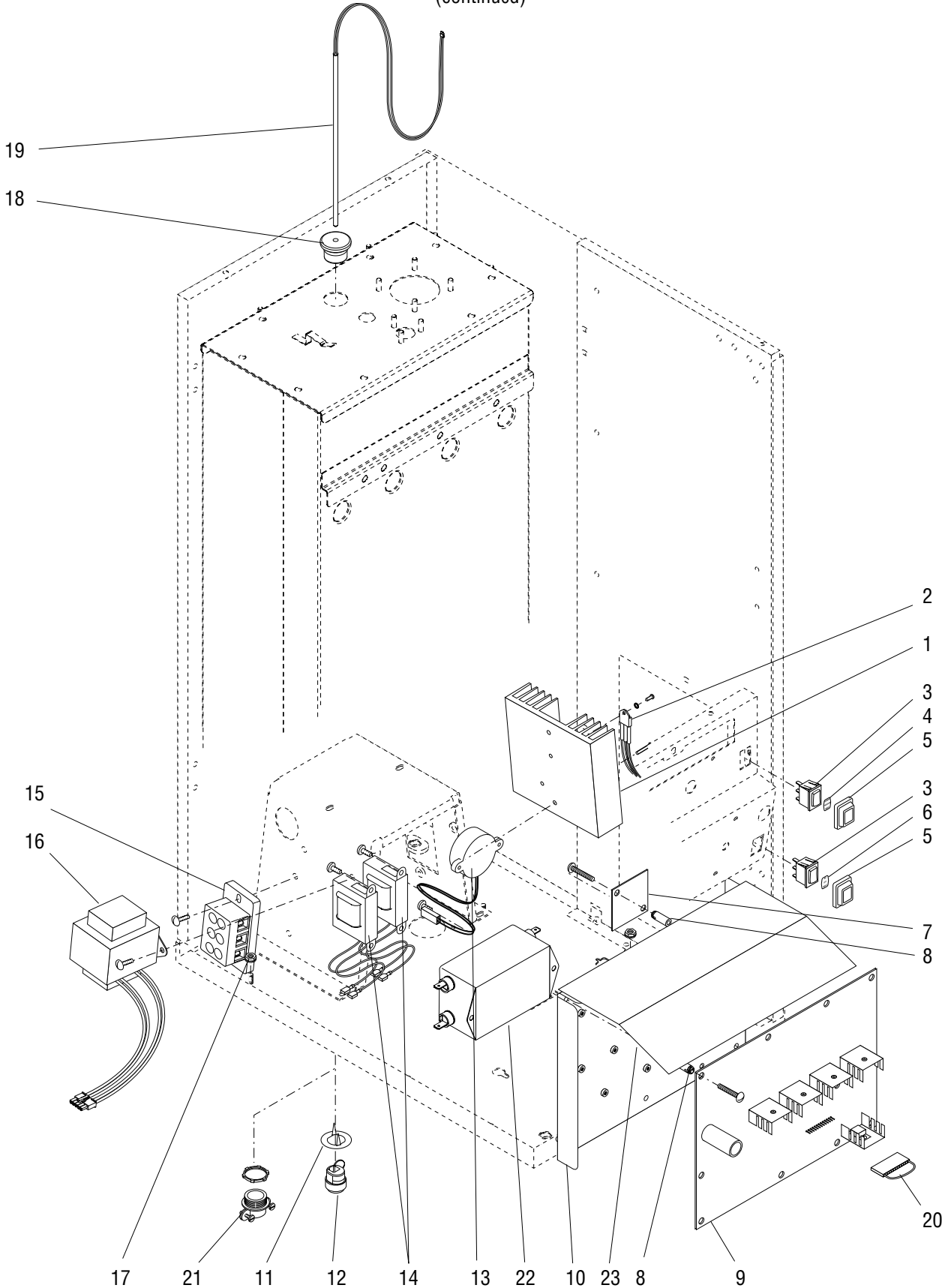
ELECTRICAL CONTROLS

ITEM	PART NO.	QTY.	DESCRIPTION
1	20541.0001	1	Heat Sink
	01347.0000	2	Screw, Truss Head #6-32 x .375"
2	12565.1035	1	Triac Assy, 120V, 40 Amp (also order item 31)
	12565.0018	1	Triac Assy, 230V, 40 Amp (also order item 31)
	01520.0000	1	Lockwasher, Split #6
	02328.0003	1	Screw, Pan Head #6-32 x .312"
3	27437.0001	2	Switch, Rocker NORMAL/PROGRAM/RINSE and ON/OFF/NIGHT
4	37192.0000	1	Decal, Switch - NORMAL/PROGRAM/RINSE
5	34390.0000	2	Cap, Rocker Switch
6	37193.0000	1	Decal, Switch - ON/OFF/NIGHT
7	36449.1000	1	Control Board Assy, Memory
	38712.1000	1	Control Board Assy, Memory (RoHS Compliant)
	01382.0008	2	Screw, Truss Head #6-32 x 1.0" } Early Models
8	29081.0004	12	Spacer, .153" ID x .62" LG (2 less with Late Models)
9	37104.1010	1	Control Board Assy, Main
	01382.0008	10	Screw, Truss Head #6-32 x 1.0"
10	36976.0001	1	Bracket, Component Mounting (Early Models)
	36976.0002	1	Bracket, Component Mounting (Late Models)
	01311.0001	2	Screw, Truss Head Locking #8-32 x .25"
11	00715.0000	1	Adapter Washer, Strain Relief 120V
12	00713.0000	1	Bushing, Strain Relief 120V
13	33147.0002	1	Audio Indicator Assy
	01382.0000	2	Screw, Truss Head #6-32 x .375"
14	28327.0002	2	Ballast, 120V-60HZ W/Terminals
	39642.0000	2	Ballast, 230V-60HZ W/Terminals
	01382.0000	4	Screw, Truss Head #6-32 x .375"
15	07038.0000	1	Terminal Block, 120V
	01106.0000	1	Terminal Block, 230V
	01317.0000	2	Screw, Truss Head #8-32 x .50"
16	34829.0001	1	Transformer Assy, 120V to 24V
	34829.0002	1	Transformer Assy, 230V to 24V
	01317.0000	2	Screw, Truss Head #8-32 x .50"
17	00970.0000	2	Nut, Ground Keps #8-32
18	33801.0003	1	Grommet, Temp Sensor
19	39085.0002	1	Probe, Temperature & Dry Plug
20	37780.0001	1	Jumper, IMIX-3
21	01685.0000	1	Connector, Cord 230V
22	36801.0001	1	EMI Filter 230V
23	46640.0000	1	Drip Shield

(continued)

* Indicates the part number listed is for reference only. See DESCRIPTION for possible service replacement.

(continued)



ELECTRICAL CONTROLS

ITEM	PART NO.	QTY.	DESCRIPTION
The following items are not illustrated			
24	20630.0005	1	Cord Assembly, Power 120V only
25	36849.0000	1	Wiring Harness, Power 120V (Doors with Flourescent Lighting)
	36849.0001	1	Wiring Harness, Power 230V (Doors with Flourescent Lighting)
	36849.0010	1	Wiring Harness, Power 120V (Doors with LED Lighting)
	36849.0011	1	Wiring Harness, Power 230V (Doors with LED Lighting)
26	36850.0000	1	Wiring Harness, Switch
27	36844.0005	1	Wiring Harness, I/O Head #1
28	36844.0006	1	Wiring Harness, I/O Head #2
29	36844.0007	1	Wiring Harness, I/O Head #3
30	36676.0001	1	Wiring Harness, Memory Board (Early Models)
31	M2522.1000	-	Heat Sink Compound
32	37842.0000	1	Wiring Harness, EMI Filter 230V
33	37998.0000	1	Lead, Limit to Tank Heater 230V
34	46293.0001	1	Wiring Harness, Transformer (Doors with LED Lighting)

* Indicates the part number listed is for reference only. See DESCRIPTION for possible service replacement.

NUMERICAL INDEX

PART NO.	PAGE NO.	PART NO.	PAGE NO.	PART NO.	PAGE NO.	PART NO.	PAGE NO.
00656.0001.....	7	20960.0000.....	13	32386.0001.....	13	36667.1003.....	9
00669.0004.....	9	20976.0017.....	19	32654.0000.....	13	36669.0000.....	11
00713.0000.....	23	20976.0055.....	19	32806.0000.....	9	36676.0001.....	25
00715.0000.....	23	20976.0056.....	19	32807.0001.....	9	36734.0001.....	9
00824.0002.....	7	20976.1000.....	19	32863.1000.....	9	36740.1000.....	17
00908.0000.....	17	20976.1001.....	19	32906.0001.....	15	36741.1000.....	17
00946.0000.....	17	20976.1002.....	19	33147.0002.....	23	36741.1001.....	17
00970.0000.....	13,17,19,23	21436.0000.....	7	33608.1000.....	13	36743.0000.....	7
00986.0000.....	7	21801.0015.....	17,21	33801.0003.....	23	36743.0001.....	5
00991.0002.....	13	22728.0000.....	17	34362.0000.....	9	36761.0000.....	9
00991.0003.....	13	24457.0002.....	9	34390.0000.....	23	36761.0002.....	11
01106.0000.....	23	24733.0010.....	15	34392.0000.....	19	36761.0003.....	11
01308.0000.....	5	24733.0011.....	21	34572.0000.....	19	36761.0004.....	11
01311.0000.....	5,7,11,13	25732.0000.....	15	34666.0000.....	5	36762.0000.....	9
01311.0001.....	5,7,9,11,15,23	25733.0003.....	15	34667.0000.....	11	36762.0002.....	11
01311.0003.....	5,7	25734.1000.....	15	34765.0000.....	19	36763.0000.....	9
01315.0000.....	13	25734.7002.....	15	34829.0001.....	23	36763.0002.....	11
01317.0000.....	23	25736.0000.....	15	34829.0002.....	23	36764.0000.....	13
01326.0000.....	21	25736.0001.....	15	34998.0000.....	5	36770.0000.....	13
01326.0002.....	13	25743.0000.....	13	35260.0000.....	13	36771.0000.....	13
01347.0000.....	23	25803.0000.....	21	35877.1002.....	11	36772.0000.....	13
01382.0000.....	11,23	25902.0000.....	15	35912.0001.....	5	36773.0000.....	13
01382.0002.....	5	25903.0000.....	13	35912.0002.....	5	36774.0000.....	13
01382.0008.....	23	26356.0000.....	15	35926.0000.....	5	36795.0000.....	9
01403.0000.....	11	26356.1000.....	15	35937.0001.....	17	36796.0001.....	9
01501.0000.....	17	26369.1000.....	21	35937.0003.....	17	36801.0001.....	23
01509.0001.....	5	26401.0000.....	13	35940.0002.....	17	36844.0005.....	25
01512.0000.....	13	26444.0000.....	11	35946.0002.....	19	36844.0006.....	25
01520.0000.....	23	26528.0000.....	7	36147.1000.....	9	36844.0007.....	25
01526.0001.....	7	26940.0002.....	13	36149.0000.....	9	36849.0000.....	25
01592.0001.....	19	27437.0001.....	23	36220.0000.....	17	36849.0001.....	25
01685.0000.....	23	28067.0000.....	13	36222.0001.....	19	36849.0010.....	25
02328.0003.....	23	28095.0000.....	9	36226.0000.....	17	36849.0011.....	25
02336.0000.....	5,7,9,13	28295.0000.....	15	36229.0001.....	7	36850.0000.....	25
02434.0008.....	7	28295.0001.....	15	36229.0002.....	7	36887.0003.....	11
02434.1000.....	7	28297.0001.....	15	36230.0001.....	5	36888.0000.....	11
02434.1001.....	7	28327.0002.....	23	36230.0002.....	5	36888.0001.....	11
02536.0000.....	7,17	28328.0011.....	5	36231.0000.....	9	36889.0000.....	11
03633.0000.....	17	28328.0013.....	5	36231.0001.....	9	36896.0000.....	7
03803.0002.....	17	28335.0000.....	11	36233.1000.....	19	36958.0001.....	5
03807.0000.....	17	28428.1000.....	15	36233.0001.....	19	36958.0002.....	5
03996.0000.....	7	28428.1002.....	15	36243.0000.....	13	36959.0001.....	5
04797.0000.....	17	28526.0027.....	21	36244.0000.....	9	36959.0002.....	5
05515.0000.....	17	28526.0039.....	17	36378.0001.....	19	36961.0002.....	7
07038.0000.....	23	28526.1000.....	19	36398.0000.....	7	36961.1001.....	7
11630.0001.....	19	28526.1001.....	19,21	36449.1000.....	23	36963.0000.....	7
12398.0000.....	17	28526.1002.....	19,21	36644.0000.....	5	36965.0000.....	5
12422.0001.....	17,21	28526.1003.....	19,21	36647.0000.....	9	36965.0003.....	5
12422.0005.....	19	28865.0000.....	15	36647.0001.....	9	36967.0002.....	5
12565.0018.....	23	28866.0000.....	15	36653.0001.....	13	36968.0001.....	5
12565.1035.....	23	28867.0000.....	1	36658.0000.....	9	36970.0000.....	13
13255.0003.....	7	29081.0004.....	23	36659.0001.....	11	36972.1000.....	7
20203.0100.....	17	29329.1000.....	17	36659.0003.....	11	36974.0001.....	7
20541.0001.....	23	32283.0000.....	19	36661.0000.....	11	36976.0001.....	23
20630.0005.....	25	32306.0000.....	15	36661.0001.....	11	36976.0002.....	23
20936.1000.....	17	32337.0000.....	13	36667.1001.....	9	36978.0000.....	5

NUMERICAL INDEX

PART NO.	PAGE NO.	PART NO.	PAGE NO.	PART NO.	PAGE NO.	PART NO.	PAGE NO.
36978.0001.....	5	40031.1000.....	11				
36983.0000.....	7	40031.1001.....	11				
36984.0000.....	7	40032.0000.....	11				
36985.0000.....	7	41259.1003.....	17				
36986.0000.....	5	41266.0000.....	17				
37010.1001.....	13	41280.0001.....	17				
37011.0001.....	13	43644.0000.....	19				
37013.0000.....	9	44224.0000.....	5,7,9,11				
37037.0000.....	13	45964.1000.....	21				
37096.0001.....	9	46293.0001.....	25				
37096.0011.....	9	46640.0000.....	23				
37098.0002.....	17	47311.0001.....	11				
37098.1004.....	17	47555.0000.....	11				
37099.0000.....	19	M2522.1000.....	25				
37104.1010.....	23						
37192.0000.....	23						
37193.0000.....	23						
37254.0003.....	9						
37297.0006.....	19						
37456.0000.....	9						
37456.0001.....	9						
37457.0000.....	9						
37457.0006.....	9						
37462.0000.....	7						
37466.0003.....	9						
37478.0000.....	7						
37478.0001.....	7						
37478.0010.....	7						
37478.0011.....	7						
37498.1000.....	5						
37498.1001.....	5						
37539.1000.....	13						
37672.1000.....	9						
37682.0000.....	13						
37780.0001.....	23						
37823.0000.....	11						
37823.0001.....	11						
37823.0002.....	11						
37823.1000.....	11						
37842.0000.....	25						
37881.0000.....	7						
37970.0000.....	21						
37988.0000.....	5						
37998.0000.....	25						
38712.1000.....	23						
38749.0000.....	11						
38749.0003.....	11						
38948.0000.....	19						
38958.1000.....	13						
38963.1000.....	11						
39038.0000.....	11						
39085.0002.....	23						
39285.1001.....	21						
39285.1002.....	21						
39442.0000.....	13						
39642.0000.....	23						