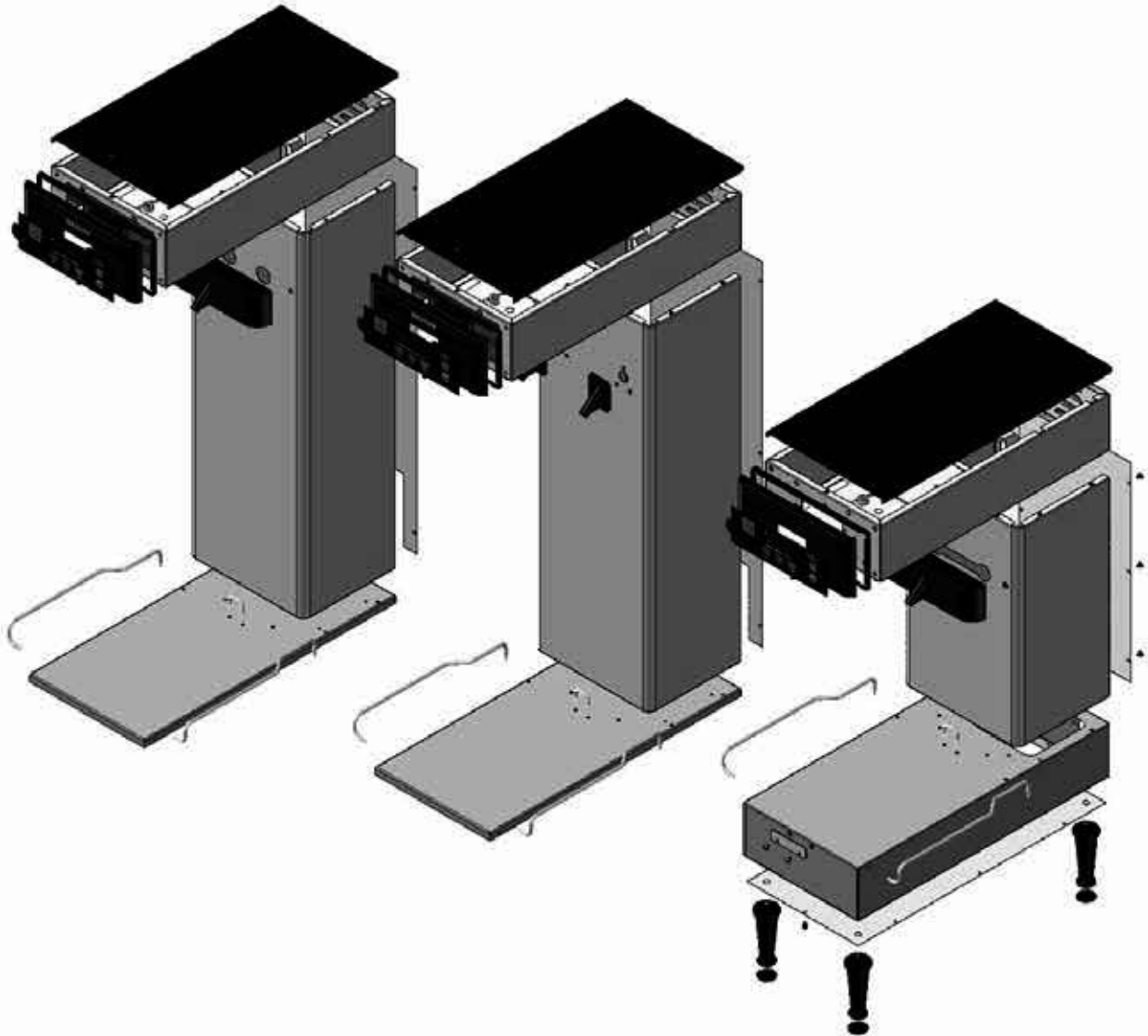


# BUNN®

*ITB  
Infusion Series®*



## ILLUSTRATED PARTS CATALOG

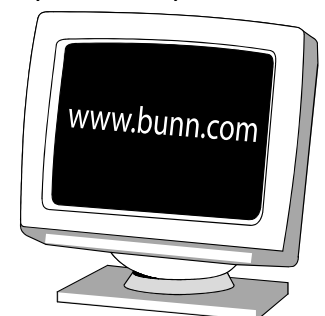
Designs, materials, weights, specifications, and dimensions for equipment or replacement parts are subject to change without notice.

**BUNN-O-MATIC CORPORATION**

POST OFFICE BOX 3227

SPRINGFIELD, ILLINOIS 62708-3227

PHONE: (217) 529-6601 FAX: (217) 529-6644



## **BUNN-O-MATIC COMMERCIAL PRODUCT WARRANTY**

Bunn-O-Matic Corp. ("BUNN") warrants equipment manufactured by it as follows:

- 1) Airpots, thermal carafes, decanters, GPR servers, iced tea/coffee dispensers, MCP/MCA pod brewers thermal servers and Thermofresh servers (mechanical and digital)- 1 year parts and 1 year labor.
- 2) All other equipment - 2 years parts and 1 year labor plus added warranties as specified below:
  - a) Electronic circuit and/or control boards - parts and labor for 3 years.
  - b) Compressors on refrigeration equipment - 5 years parts and 1 year labor.
  - c) Grinding burrs on coffee grinding equipment to grind coffee to meet original factory screen sieve analysis - parts and labor for 4 years or 40,000 pounds of coffee, whichever comes first.

These warranty periods run from the date of installation BUNN warrants that the equipment manufactured by it will be commercially free of defects in material and workmanship existing at the time of manufacture and appearing within the applicable warranty period. This warranty does not apply to any equipment, component or part that was not manufactured by BUNN or that, in BUNN's judgment, has been affected by misuse, neglect, alteration, improper installation or operation, improper maintenance or repair, non periodic cleaning and descaling, equipment failures related to poor water quality, damage or casualty. In addition, the warranty does not apply to replacement of items subject to normal use including but not limited to user replaceable parts such as seals and gaskets. This warranty is conditioned on the Buyer 1) giving BUNN prompt notice of any claim to be made under this warranty by telephone at (217) 529-6601 or by writing to Post Office Box 3227, Springfield, Illinois 62708-3227; 2) if requested by BUNN, shipping the defective equipment prepaid to an authorized BUNN service location; and 3) receiving prior authorization from BUNN that the defective equipment is under warranty.

**THE FOREGOING WARRANTY IS EXCLUSIVE AND IS IN LIEU OF ANY OTHER WARRANTY, WRITTEN OR ORAL, EXPRESS OR IMPLIED, INCLUDING, BUT NOT LIMITED TO, ANY IMPLIED WARRANTY OF EITHER MERCHANTABILITY OR FITNESS FOR A PARTICULAR PURPOSE.** The agents, dealers or employees of BUNN are not authorized to make modifications to this warranty or to make additional warranties that are binding on BUNN. Accordingly, statements by such individuals, whether oral or written, do not constitute warranties and should not be relied upon.

If BUNN determines in its sole discretion that the equipment does not conform to the warranty, BUNN, at its exclusive option while the equipment is under warranty, shall either 1) provide at no charge replacement parts and/or labor (during the applicable parts and labor warranty periods specified above) to repair the defective components, provided that this repair is done by a BUNN Authorized Service Representative; or 2) shall replace the equipment or refund the purchase price for the equipment.

**THE BUYER'S REMEDY AGAINST BUNN FOR THE BREACH OF ANY OBLIGATION ARISING OUT OF THE SALE OF THIS EQUIPMENT, WHETHER DERIVED FROM WARRANTY OR OTHERWISE, SHALL BE LIMITED, AT BUNN'S SOLE OPTION AS SPECIFIED HEREIN, TO REPAIR, REPLACEMENT OR REFUND.**

In no event shall BUNN be liable for any other damage or loss, including, but not limited to, lost profits, lost sales, loss of use of equipment, claims of Buyer's customers, cost of capital, cost of down time, cost of substitute equipment, facilities or services, or any other special, incidental or consequential damages.

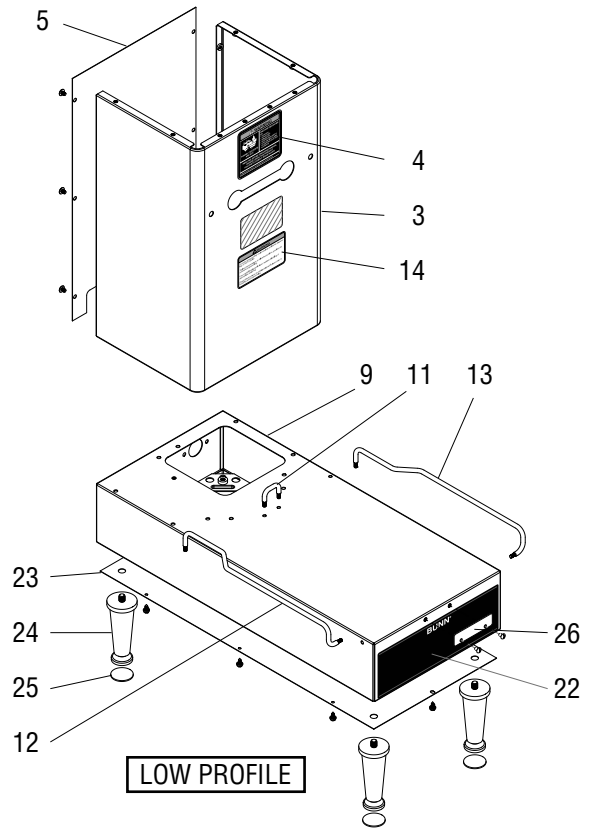
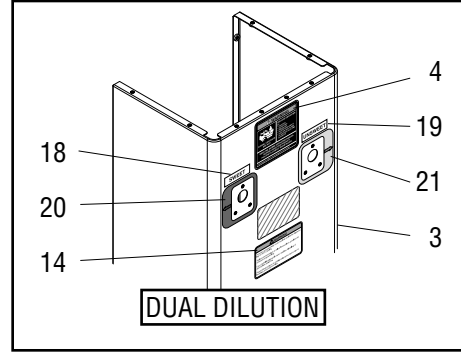
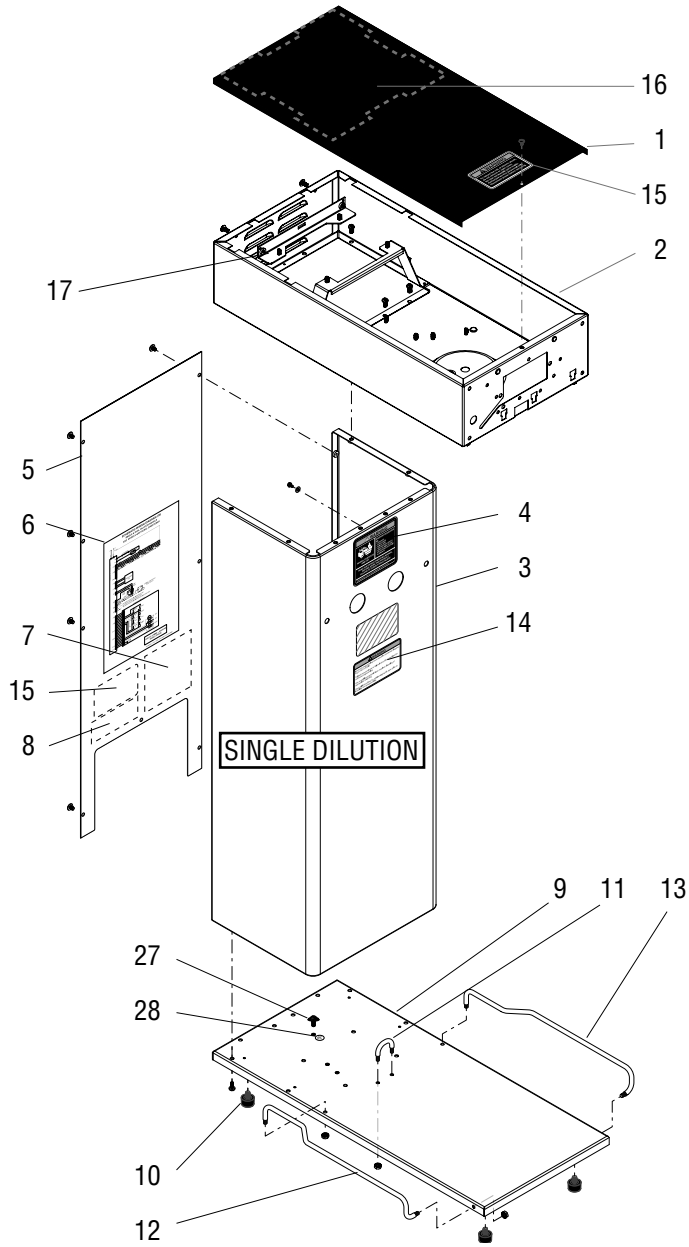
392, A Partner You Can Count On, Air Infusion, AutoPOD, AXIOM, BrewLOGIC, BrewMETER, Brew Better Not Bitter, BrewWISE, BrewWIZARD, BUNN Espresso, BUNN Family Gourmet, BUNN Gourmet, BUNN Pour-O-Matic, BUNN, BUNN with the stylized red line, BUNNlink, Bunn-O-Matic, Bunn-O-Matic, BUNNserve, BUNNSERVE with the stylized wrench design, Cool Froth, DBC, Dr. Brew stylized Dr. design, Dual, Easy Pour, EasyClear, EasyGard, FlavorGard, Gourmet Ice, Gourmet Juice, High Intensity, iMIX, Infusion Series, Intellisteam, My Café, Phase Brew, PowerLogic, Quality Beverage Equipment Worldwide, Respect Earth, Respect Earth with the stylized leaf and coffee cherry design, Safety-Fresh, savemycoffee.com, Scale-Pro, Silver Series, Single, Smart Funnel, Smart Hopper, SmartWAVE, Soft Heat, SplashGard, The Mark of Quality in Beverage Equipment Worldwide, ThermoFresh, Titan, trifecta, Velocity Brew, Air Brew, Beverage Bar Creator, Beverage Profit Calculator, Brew better, not bitter., BUNNsource, Coffee At Its Best, Cyclonic Heating System, Daypart, Digital Brewer Control, Element, Nothing Brews Like a BUNN, Pouring Profits, Signature Series, Tea At Its Best, The Horizontal Red Line, Ultra are either trademarks or registered trademarks of Bunn-O-Matic Corporation. The commercial trifecta® brewer housing configuration is a trademark of Bunn-O-Matic Corporation.

## TABLE OF CONTENTS

Hood, Trunk, Base and Panels.....	4
Tank and Components.....	6
Dispense Valve and Sprayhead .....	8
Fill, Dilution & Tank Drain.....	10
Sweetener .....	12
Electrical and Operating Controls.....	14
Funnels .....	16
Numerical Index.....	18

**To order coffee filters, water filters, or other accessories, refer to Specification Sheets at [www.bunn.com](http://www.bunn.com)**

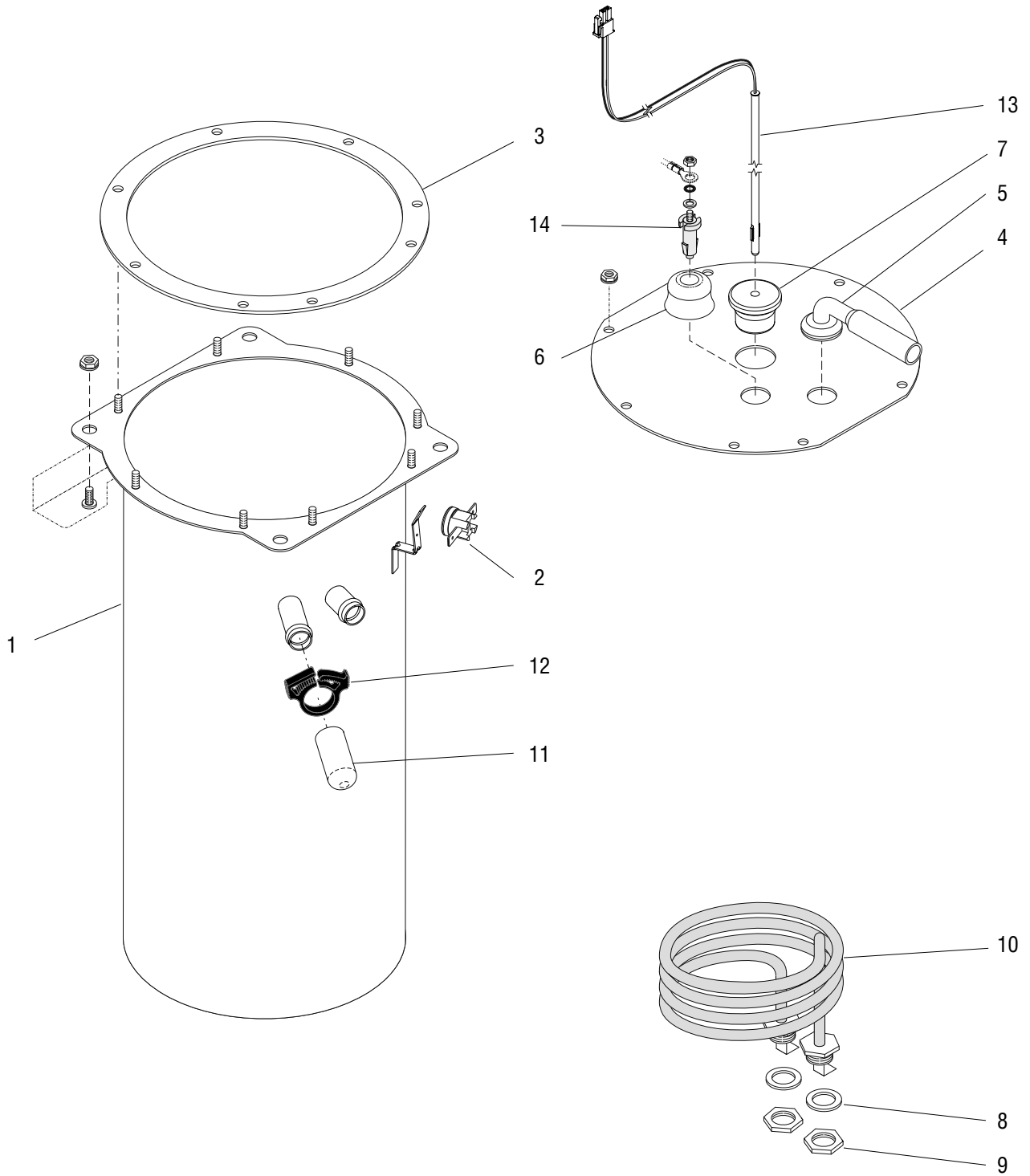
Fraction	Decimal		Fraction	Decimal
<b>1/16</b>	0.063		<b>9/16</b>	0.563
<b>1/8</b>	0.125		<b>5/8</b>	0.625
<b>3/16</b>	0.188		<b>11/16</b>	0.688
<b>1/4</b>	0.250		<b>3/4</b>	0.750
<b>5/16</b>	0.313		<b>13/16</b>	0.813
<b>3/8</b>	0.375		<b>7/8</b>	0.875
<b>7/16</b>	0.438		<b>15/16</b>	0.938
<b>1/2</b>	0.500		<b>1</b>	1.000



## HOOD, TRUNK, BASE AND PANEL

ITEM	PART NO.	QTY.	DESCRIPTION
1	36355.1006 01308.0000	1 1	Cover, Top (Includes items 24 & 25) Screw, Truss Head #6-32 x .25"
2	36354.0004 36354.0005 02308.0000	1 1 8	Hood (ITB & ITB-LP Only) Hood (Dual Dilution Models Only) Screw, Pan Head #8-32 x .38"
3	36353.1007 36353.0029* 36594.0003 02308.0000	1 1 1 6	Trunk w/Decals 29" Single Dilution (Includes items 4 & 14) Trunk w/Decals 29" Dual Dilution (Includes items 4 & 14) Trunk SST (Low Profile Models) (Includes items 4 & 14) Screw, Pan Head #8-32 x .38"
4	00658.0000	1	Decal, Warning - Decanter/Funnel
5	36356.1206 36997.1001 01311.0001	1 1 7	Panel w/Decals 29.0" SST (7 mtg. hole) (Includes items 14,15 & 24) Panel, Back (Low Profile Models Only) Screw, Truss Head #8-32 x .25" (1 less used on Low Profile)
6	42377.0000	1	Schematic, ITB (All Models)
7	00986.0000	1	Decal, Warning - Electrical
8	00656.0001	1	Decal, Comply to Plumbing Code
9	36362.0002 36923.0003	1 1	Base (Standard Models) Base (Low Profile Models)
10	25137.0001 24600.0000	4 -	Foot Foot Kit, Set of 4
11	36412.0000 00970.0000	1 2	Rail, Stop Nut, Keps #8-32
12	36461.0000 00970.0000	1 2	Guide Rail, Left Nut, Keps #8-32
13	36462.0000 00970.0000	1 2	Guide Rail, Right Nut, Keps #8-32
14	39175.0000	1	Decal, Warning Overlay Graphic
15	37881.0000	2	Decal, No Serviceable Parts
16	25151.0002	1	Shield, Insulator
17	34118.0001 01317.0003	1 2	Bracket, Tank Support Screw, Truss Head #8-32 x .375"
18	38589.0000	1	Decal, Sweet
19	38589.0001	1	Decal, Unsweet
20	41948.0000	1	Decal, Nozzle Left
21	41948.0001	1	Decal, Nozzle Right
22	37573.0000	1	Decal, Decorative
23	36877.0001 02332.0002	1 8	Panel, Bottom Screw, Hex #6 x .375"
24	26528.0001	4	Leg, 4.0" Adjustable
25	03996.0000	4	Pad, Non-Skid
26	37538.0001 01311.0001	1 2	Stop, Dispenser Front Screw, Truss Head #6-32 x .25"
27	37804.0000	1	Screw, Ground
28	00824.0002	1	Decal, Ground

\* Indicates the part number listed is for reference only.

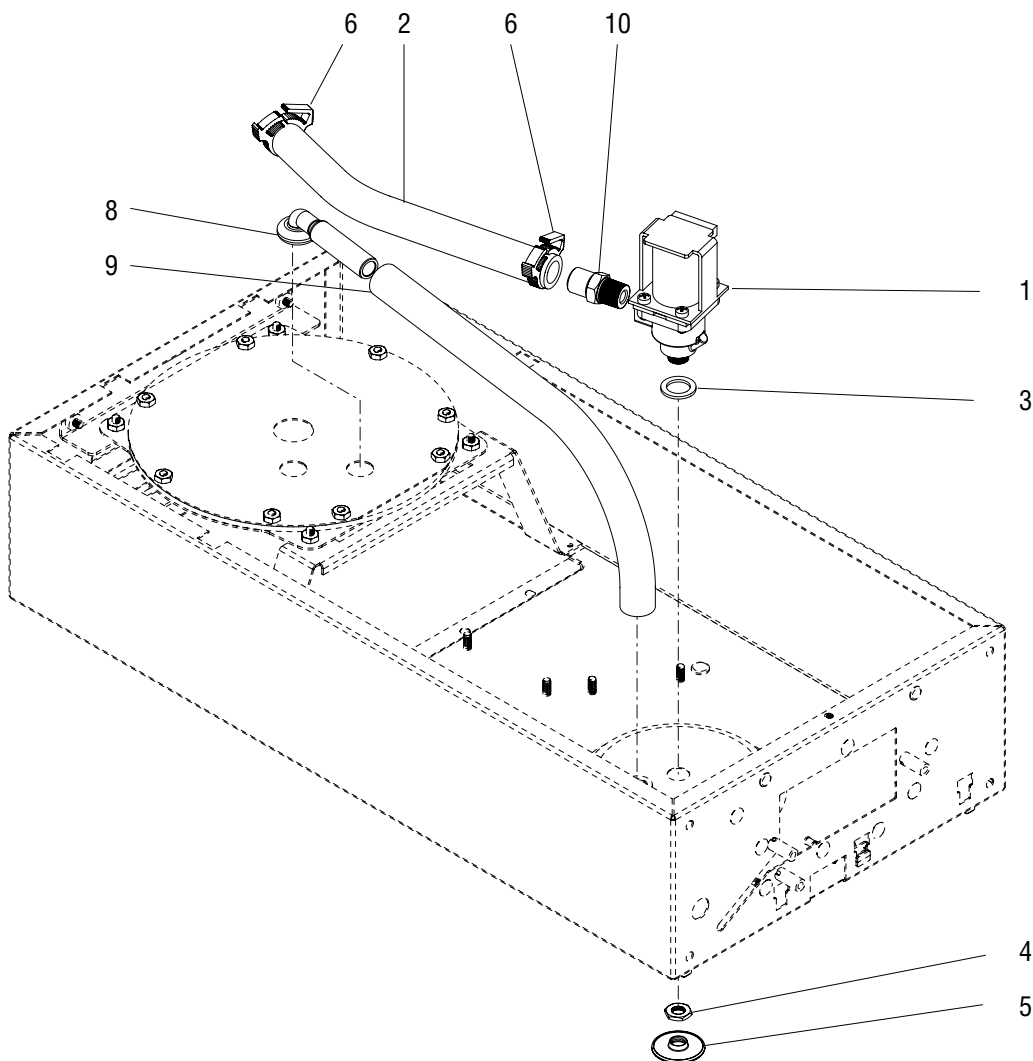
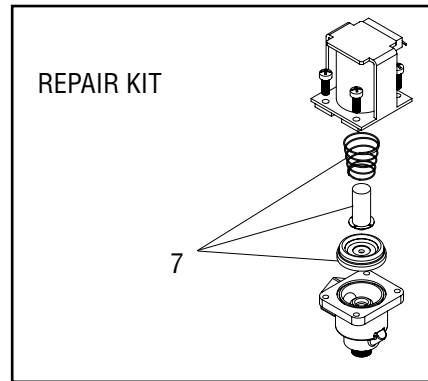


## TANK & COMPONENTS

ITEM	PART NO.	QTY.	DESCRIPTION
1	33937.0003	1	Tank
	00908.0000	4	Nut, Hex #8-32
2	29329.1000	1	Limit Thermostat
3	04221.0000	1	Gasket
4	28735.0000	1	Lid
	00908.0000	8	Nut, Hex #8-32
5	38969.0001	1	Fitting, 90° Silicone
6	38114.0000	1	Grommet, Liquid Level Probe
7	33801.0003	1	Grommet, Temp. Sensor
8	00943.0000	2	Gasket
9	00942.0000	2	Nut, Hex .50"-20
10	02755.1001	1	Tank Heater 1680W (Includes item 12)
11	29279.0000	1	Cap, Tube-Silicone
12	12422.0005	1	Clamp, Hose SNP-12
13	39085.1001	1	Probe Kit, Temperature and Dry Plug
14	07412.1002	1	Probe, Liquid Level
	01501.0000	1	Washer
	20203.0100	1	Lockwasher, Internal-tooth #8
	00908.0000	1	Nut, Hex #8-32

**The following items are not illustrated**

15	34074.1030	1	Tank Assy (Includes items 1-14)
----	------------	---	---------------------------------



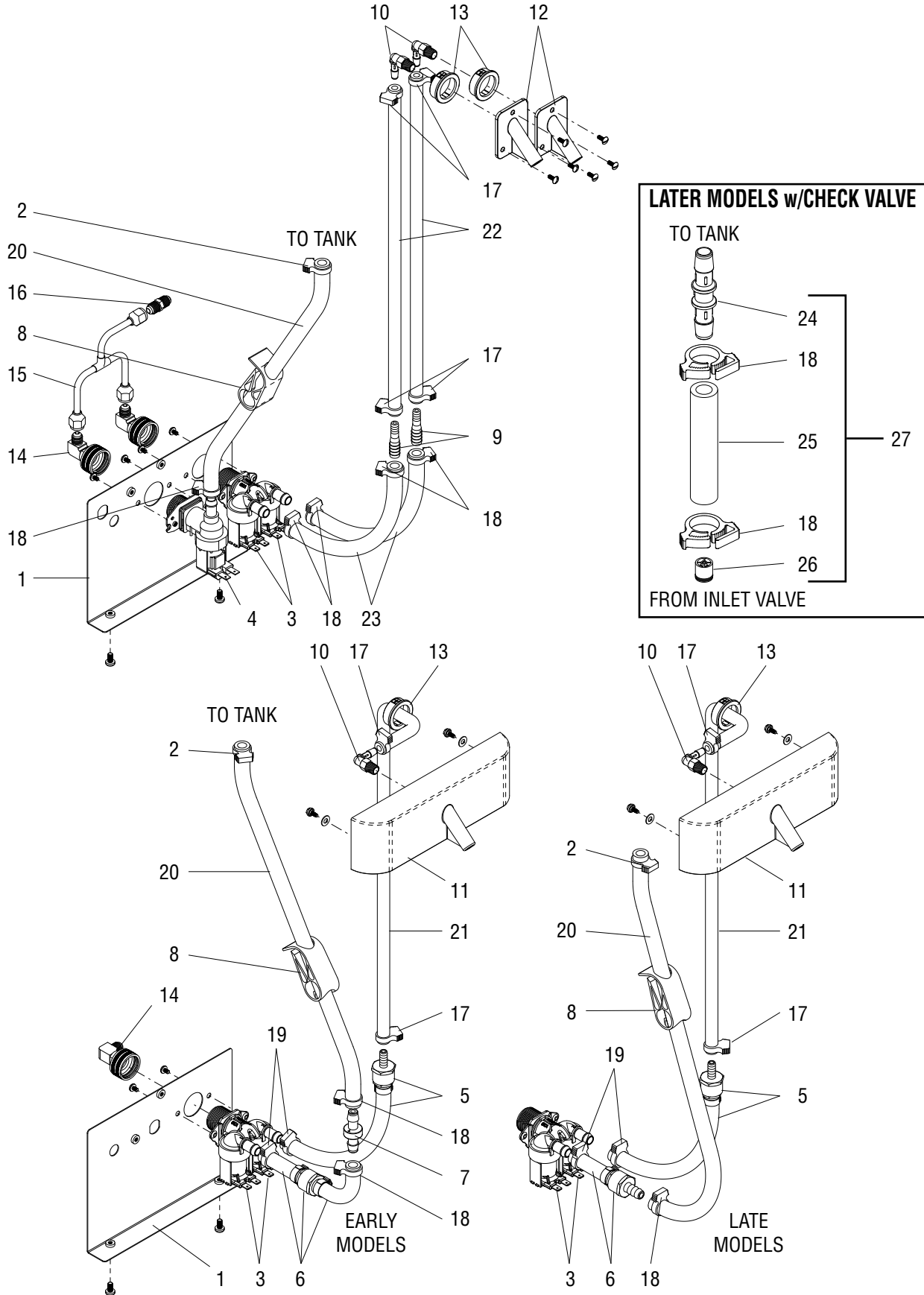


## DISPENSE VALVE & SPRAYHEAD

ITEM	PART NO.	QTY.	DESCRIPTION
1	26846.0000	1	Valve, Dispense (120V)
2	32591.0023*	1	Tube .50" ID x 7.88" (Order # 9)
3	00943.0000	1	Gasket, Sprayhead Fitting
4	01075.0000	1	Nut, Hex .438"-20
5	01082.0000	1	Sprayhead, 6 Hole
6	12422.0009	2	Clamp, SNP-14
7	11517.0008	1	Repair Kit, Dispense Valve (Includes Plunger, Spring and Diaphragm)
8	38969.0001	1	Fitting, 90° Silicone
9	32591.1001	1	Tube .50" ID x 12.0"
10	34956.0004	1	Fitting

**The following items are not illustrated**

11	32591.1002	-	Tube .50" ID x 3 Feet
	32591.1003	-	Tube .50" ID x 10 Feet
	32591.1004	-	Tube .50" ID x 250 Feet



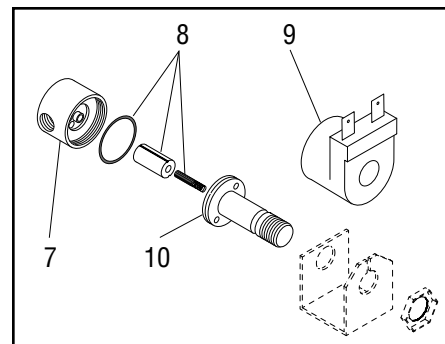
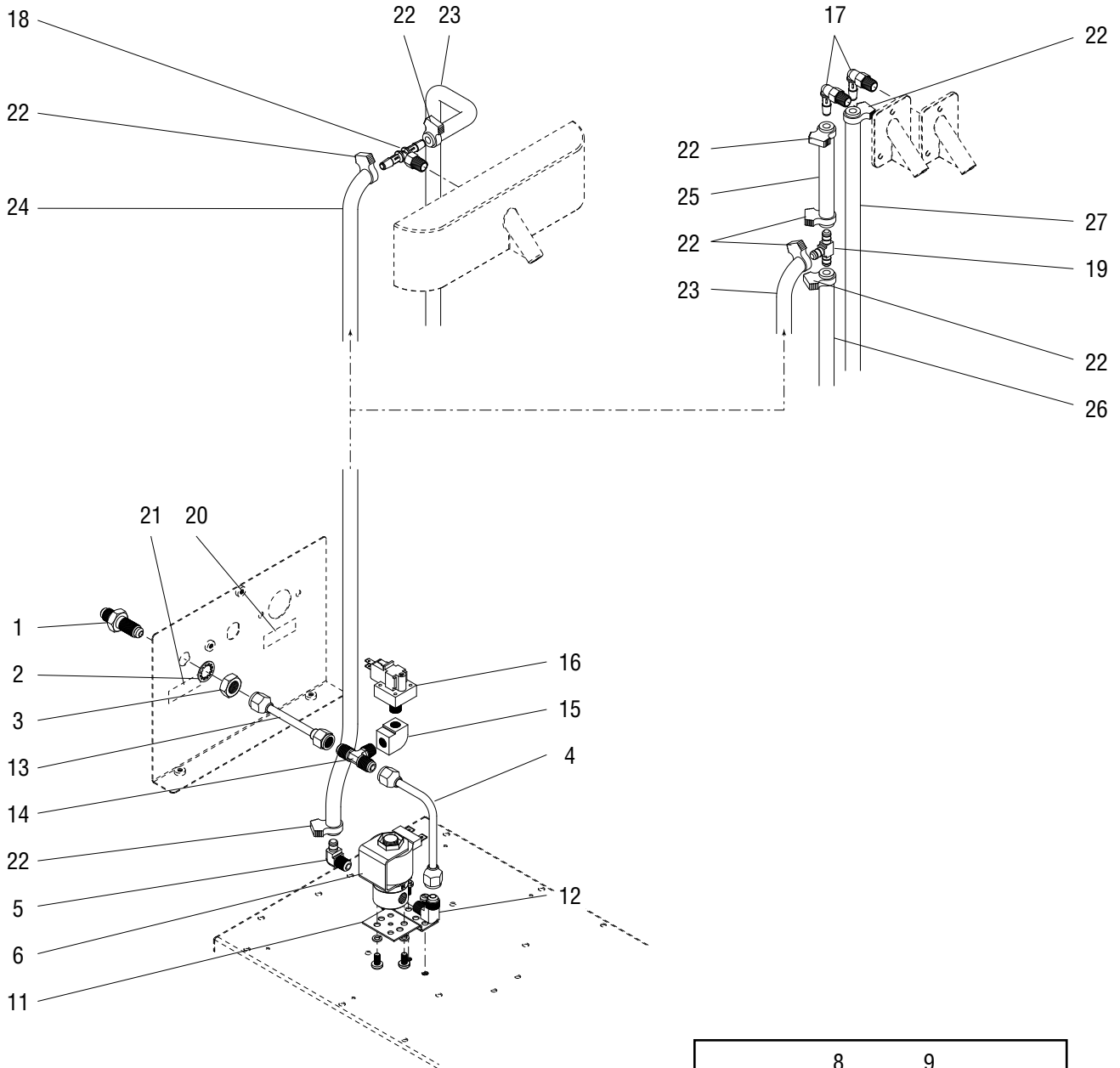
## FILL, SINGLE DILUTION & DRAIN

ITEM	PART NO.	QTY.	DESCRIPTION	
1	36421.0006	1	Bracket, Single Dilution	
	36421.0009	1	Bracket, Dual Dilution	
	02308.0000	2	Screw, Pan Head #8-32 x .375"	
2	12422.0006	1	Clamp, Hose-Snap SNP-8	
3	43041.0000	1	Kit, Valve 120V	
	32283.0000	2	Screw, SST Slotted Panhead M4 X 6mm	
	46884.0000	1	Strainer, Inlet	
4	42025.0000	1	Kit, Valve 120V	
	32283.0000	2	Screw, SST Slotted Panhead M4 X 6mm	
	46884.0000	1	Strainer, Inlet	
5	41665.0000	1	Tube Assy, Flow Control (Dilution)	
6	41666.0000	1	Tube Assy, Flow Control (Fill) (Early Models)	
	41666.0001	1	Tube Assy, Flow Control (Fill) (Late Models)	
7	33027.0001	1	Check Valve, .375 Nylon (Early Models)	
8	11630.0001	1	Clamp, Tubing Shut Off	
9	26443.0000	2	Reducer	
10	40783.0000	1	Elbow, 1/8-27 Npt To 1/4" Barb (Also included w/dilution nozzle) (Non Sweetener)	
11	36360.1001	1	Kit, Dilution Nozzle w/Elbow (Non Sweetener Models)	
	36360.1002	1	Kit, Dilution Nozzle w/Tee (Sweetener Models)	
	02332.0005	2	Screw, Hex #6 x .38"	
	28614.0000	2	Washer	
12	03717.0000	2	Dilution Nozzle	
	01382.0002	6	Screw, TRH #6-32 x .38"	
13	01592.0001	2	Bushing 1.188" (1 less used on Single Dilution)	
14	37297.1006	1	Elbow, .25 FLR X .75 Hose THD	
15	41969.0000	1	Tube Assembly	
16	00436.0001	1	Union, .25" Flare	
17	12422.0000	2/4	Clamp, Hose-Snap SNP-6	
18	12422.0001	3/6	Clamp, Hose-Snap SNP-10	
19	12422.0005	2	Clamp, Hose-Snap SNP-12	
20	20976.0063*	1	Tube, Silicone .375 ID X 16.0 LG (All Early Models)	(Order # 29)
	20976.0068*	1	Tube, Silicone .375 ID X 19.0 LG (All Late Models)	(Order # 29)
21	11707.0032*	1	Tube, Silicone .25 ID X 19.0 LG (29" Trunk)	(Order # 28)
	11707.0042*	1	Tube, Silicone .25 ID X 10.5 LG (Low Profile)	(Order # 28)
22	11707.0004*	1	Tube, Silicone .25 ID X 18.0 LG (29" Trunk) 1 Less Used on Sweetener	
23	20976.0046*	1	Tube, Silicone .375 ID X 5.0 LG (29" Trunk)	(Order # 29)
24	45313.0000	1	Connector, Union .375x.375	
25	20976.0025*	1	Tube, Silicone .375" ID x 3.0" (Order # 27 or 29)	
26	36378.0001	1	Check Valve	
27	46028.0000	1	Kit, Check Valve	

**The following items are not illustrated**

28	11707.1001	-	Tube, Silicone .25" ID x 36.0" (Use as required)	
	11707.1002	-	Tube, Silicone .25" ID x 120.0" (Use as required)	
29	20976.1000	-	Tube, Silicone .375" ID x 12.0" (Use as required)	
	20976.1001	-	Tube, Silicone .375" ID x 36.0" (Use as required)	
	20976.1002	-	Tube, Silicone .375" ID x 120.0" (Use as required)	

\* Indicates the part number listed is for reference only.



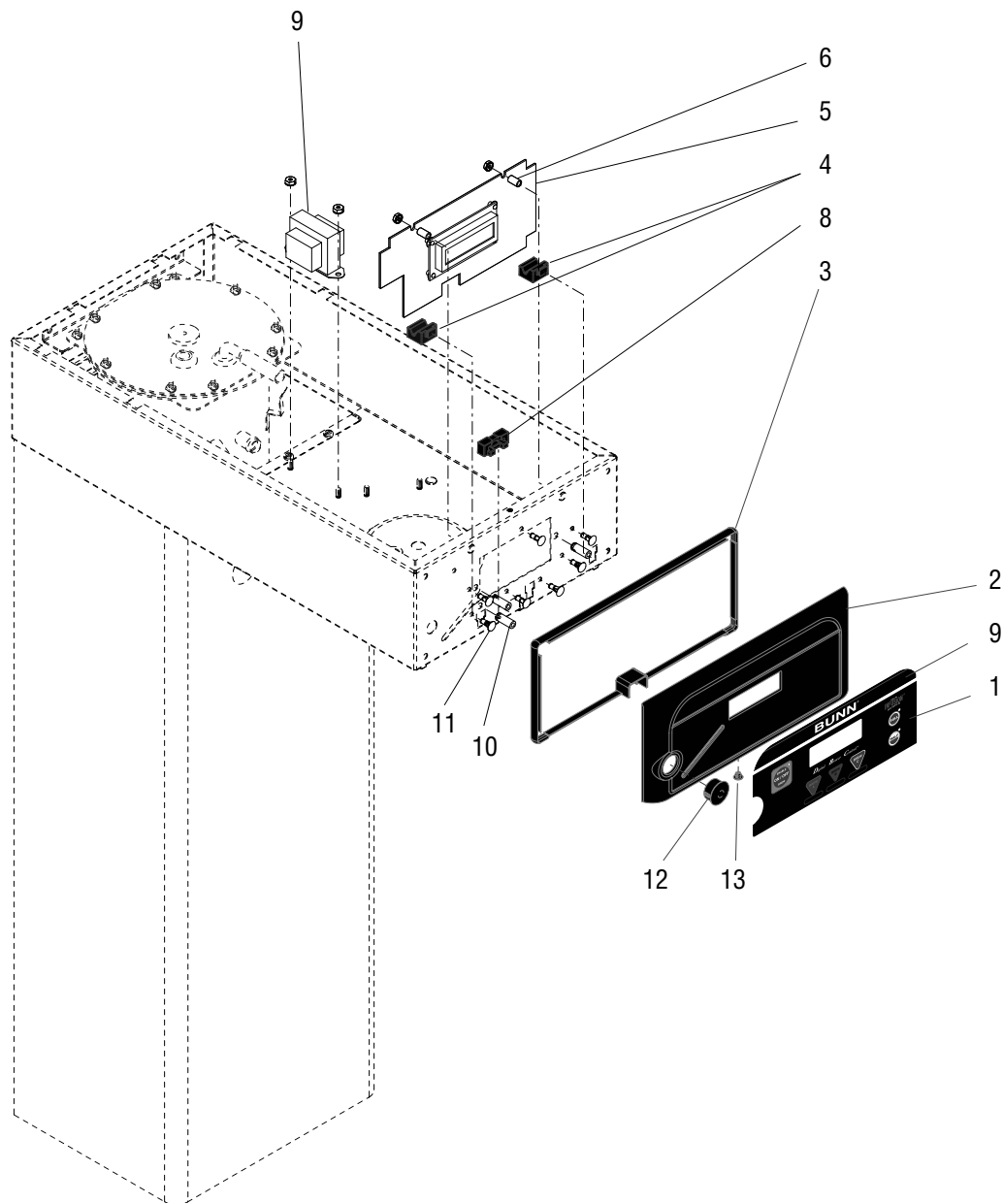
## MODELS w/ SWEETENER

ITEM	PART NO.	QTY.	DESCRIPTION
1	00459.0000	1	Fitting, Bulkhead .250" Flare
2	01532.0000	1	Lockwasher, Internal Tooth .438"
3	00463.0000	1	Nut, Hex - Brass .438"-20
4	21814.0034	1	Tube Assy,
5	00464.0001	1	Elbow, Male-Tnpl.25 Barbx.
6	01085.0000	2	Solenoid Valve, 120V (Includes items 11 - 14)
	01327.0000	4	Screw, Pan Head #10-32 x .375"
	01502.0000	4	Lockwasher, Split #10
7	01079.0000	1	Solenoid Valve Base
8	01111.0000	1	Solenoid Valve Repair Kit (Includes Plunger, Seal and Spring)
9	01101.0000	1	Solenoid Valve Coil, 120V
10	01116.0000	1	Guide
11	07441.0000	2	Bracket
	01315.0000	4	Screw, Truss Head #8-32 x .38"
12	00400.0001	1	Elbow .25" Flare x .125"MPT
13	38949.0000	1	Tube Assy.
14	00431.0001	1	Tee, Male Br-Tn Pl.25flrx
15	00435.0001	1	Elbow, Tin Pld .125npt F
16	38379.1000	1	Switch, Pressure-Low Product
17	40783.0000	1	Elbow (Also included w/dilution nozzle)
18	40784.0000	1	Tee (Also included w/dilution nozzle)
19	22150.0001	1	Tee
20	26371.0000	1	Decal, Water
21	26371.0001	1	Decal, Sweetener
22	12422.0000	3	Clamp, Hose - SNP 6 (3 Addl used on Dual Dil)
23	11707.0032*	1	Tube, Silicone .250" I.D. x 19.0" LG (Order # 28)
24	11707.0013*	1	Tube, Silicone .250" I.D. x 28.0" LG (Order # 28)
25	11707.0048*	1	Tube, Silicone .250" I.D. x 4.0" LG (Order # 28)
26	11707.0045*	1	Tube, Silicone .250" I.D. x 13.1" LG (Order # 28)
27	11707.0004*	1	Tube, Silicone .250" I.D. x 18.0" LG (Order # 28)

**The following items are not illustrated**

28	11707.1000	-	Tube, Silicone .250" I.D. x .50" O.D. x 1 Foot
	11707.1001	-	Tube, Silicone .250" I.D. x .50" O.D. x 3 Feet
	11707.1002	-	Tube, Silicone .250" I.D. x .50" O.D. x 10 Feet
	11707.1004	-	Tube, Silicone .250" I.D. x .50" O.D. x 250 Feet

\* Indicates the part number listed is for reference only.

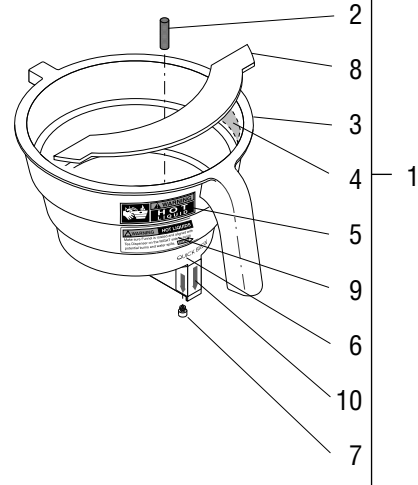
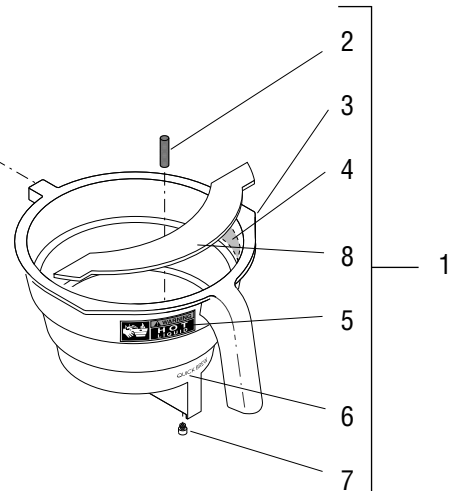
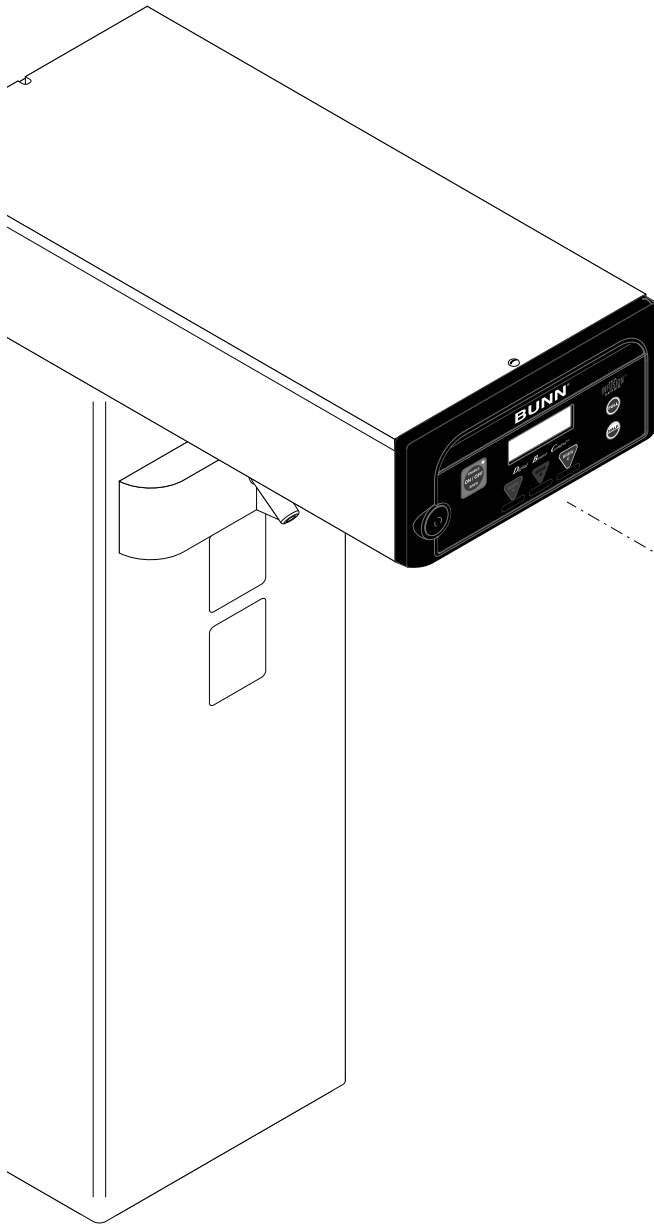


## ELECTRICAL & OPERATING CONTROLS

ITEM	PART NO.	QTY.	DESCRIPTION
1	42005.0000	1	Membrane Switch
2	36359.0004	1	Bezel
	02308.0000	4	Screw, Pan Head #8-32 x .38"
	01502.0000	4	Lock Washer
3	36364.0000	1	Gasket
4	36366.0000	2	Mount, Board
5	41849.1004	1	Control Board (RoHS)
	00973.0000	2	Nut, Keps #6-32
6	01533.0011	2	Spacer
7	34307.1001	1	Transformer
	00970.0000	2	Nut, Keps #8-32
8	36587.0000	1	Plug, Bezel
9	36368.0000	1	Decal, Top
10	29081.0004	3	Spacer
11	42234.0000	7	Standoff
12	00668.0000	1	Hole Plug .750" (Early Models)
	00669.0006	1	Hole Plug .812" (Late Models)
13	20621.0000	1	Hole Plug

**The following items are not illustrated**

14	42287.0000	1	Wiring Harness, Main (ITB 120V)
	42287.0001	1	Wiring Harness, Main (ITB w/Sweetener 120V)
	42287.0002	1	Wiring Harness, Main (ITB Dual Dilution 120V)
	42287.0003	1	Wiring Harness, Main (ITB Dual Dilution w/Sweetener 120V)
	42287.0004	1	Wiring Harness, Main (ITB-LP 120V)
15	01637.0000	1	Cord, Power
16	00707.0000	1	Bushing, Strain Relief





## FUNNELS

ITEM	PART NO.	QTY.	DESCRIPTION
1	03021.0004	1	Funnel Assembly, Smoke (Includes items 2 thru 8) (ITB)
	03021.0013	1	Funnel Assembly, Smoke (Includes items 2 thru 8) (Dual Dil.)
2	03284.0000	1	Adaptor W/Screen, Funnel
3	33129.0000*	1	Funnel, Brew Tea - Smoke (ITB) (Not Available. Order item 1)
	33128.0004*	1	Funnel, Brew Tea - Smoke (Dual Dil.) (Not Available. Order item 1)
4	03408.0000	1	Decal, Caution - Remove Funnel
5	03409.0000	1	Decal, Caution - Hot Liquid
6	03536.0000	1	Decal, Quick Brew
7	03407.0000	1	Funnel Tip, .082" Dia <b>STANDARD BREW</b> (See item 11)
	03407.0002	1	Funnel Tip, .114" Dia <b>QUICK BREW</b> (See Item 11)
8	32965.0003	1	Splashgard
9	41995.0000	1	Decal, Warning Rotate Funnel (Dual Dil.)
10	41996.0000	1	Decal, Funnel Dispense Tip Locator (Dual Dil.)

**The following items are not illustrated**

11	01037.0002	-	Funnel Tip & Screen Kit .082" Dia <b>STANDARD BREW</b> (Includes items 2 & 7)
	01037.0003	-	Funnel Tip & Screen Kit .114" Dia <b>QUICK BREW</b> (Includes items 2 & 7)

\* Indicates the part number listed is for reference only.

## NUMERICAL INDEX

PART NO.	PAGE NO.	PART NO.	PAGE NO.	PART NO.	PAGE NO.	PART NO.	PAGE NO.
00400.0001.....	13	07441.0000.....	13	34956.0004.....	9	42287.0002.....	15
00431.0001.....	13	11517.0008.....	9	36353.0029.....	5	42287.0003.....	15
00435.0001.....	13	11630.0001.....	11	36353.1007.....	5	42287.0004.....	15
00436.0001.....	11	11707.0004.....	11,13	36354.0004.....	5	42377.0000.....	5
00459.0000.....	13	11707.0013.....	13	36354.0005.....	5	43041.0000.....	11
00463.0000.....	13	11707.0032.....	11,13	36355.1006.....	5	43235.0001.....	11
00464.0001.....	13	11707.0042.....	11	36356.1206.....	5	45313.0000.....	11
00656.0001.....	5	11707.0045.....	13	36359.0003.....	15	46884.....	11
00658.0000.....	5	11707.0048.....	13	36360.1001.....	11		
00668.0000.....	15	11707.1000.....	13	36360.1002.....	11		
00669.0006.....	15	11707.1001.....	11,13	36362.0002.....	5		
00707.0000.....	15	11707.1002.....	11,13	36364.0000.....	15		
00824.0002.....	5	11707.1004.....	13	36366.0000.....	15		
00908.0000.....	7	12422.0000.....	11,13	36368.0000.....	15		
00942.0000.....	7	12422.0001.....	11	36378.0001.....	11		
00943.0000.....	7,9	12422.0005.....	7,11	36412.0000.....	5		
00970.0000.....	5,15	12422.0009.....	9	36421.0006.....	11		
00973.0000.....	15	20203.0100.....	7	36421.0009.....	11		
00986.0000.....	5	20621.0000.....	15	36461.0000.....	5		
01037.0002.....	17	20976.0025.....	11	36462.0000.....	5		
01037.0003.....	17	20976.0046.....	11	36587.0000.....	15		
01075.0000.....	9	20976.0063.....	11	36594.0003.....	5		
01079.0000.....	13	20976.0068.....	11	36877.0001.....	5		
01082.0000.....	9	20976.1000.....	11	36923.0003.....	5		
01085.0000.....	13	20976.1001.....	11	36997.1001.....	5		
01101.0000.....	13	20976.1002.....	11	37297.1006.....	11		
01111.0000.....	13	21814.0034.....	13	37538.0001.....	5		
01116.0000.....	13	22150.0001.....	13	37573.0000.....	5		
01308.0000.....	5	24600.0000.....	5	37804.0000.....	5		
01311.0001.....	5	25137.0001.....	5	37881.0000.....	5		
01315.0000.....	13	25151.0002.....	5	38114.0000.....	7		
01317.0003.....	5	26371.0000.....	13	38379.1000.....	13		
01327.0000.....	13	26371.0001.....	13	38589.0000.....	5		
01382.0002.....	11	26443.0000.....	11	38589.0001.....	5		
01501.0000.....	7	26528.0001.....	5	38949.0000.....	13		
01502.0000.....	13,15	26846.0000.....	9	38969.0001.....	7,9		
01532.0000.....	13	28614.0000.....	11	39085.1001.....	7		
01533.0011.....	15	28735.0000.....	7	39175.0000.....	5		
01592.0001.....	11	29081.0004.....	15	40281.1000.....	11		
01637.0000.....	15	29279.0000.....	7	40506.0010.....	11		
02308.0000.....	5,11,15	29329.1000.....	7	40783.0000.....	11,13		
02332.0002.....	5	32283.0000.....	11	40784.0000.....	13		
02332.0005.....	11	32591.0023.....	9	41665.0000.....	11		
02755.1001.....	7	32591.1001.....	9	41666.0000.....	11		
03021.0004.....	17	32591.1002.....	9	41666.0001.....	11		
03021.0013.....	17	32591.1003.....	9	41849.1004.....	15		
03284.0000.....	17	32591.1004.....	9	41948.0000.....	5		
03407.0000.....	17	32965.0003.....	17	41948.0001.....	5		
03407.0002.....	17	33027.0001.....	11	41969.0000.....	11		
03408.0000.....	17	33128.0004.....	17	41995.0000.....	17		
03409.0000.....	17	33129.0000.....	17	41996.0000.....	17		
03536.0000.....	17	33801.0003.....	7	42005.0000.....	15		
03717.0000.....	11	33937.0003.....	7	42025.0000.....	11		
03996.0000.....	5	34074.1030.....	7	42234.0000.....	15		
04221.0000.....	7	34118.0001.....	15	42287.0000.....	15		
07412.1002.....	7	34307.1001.....	15	42287.0001.....	15		

