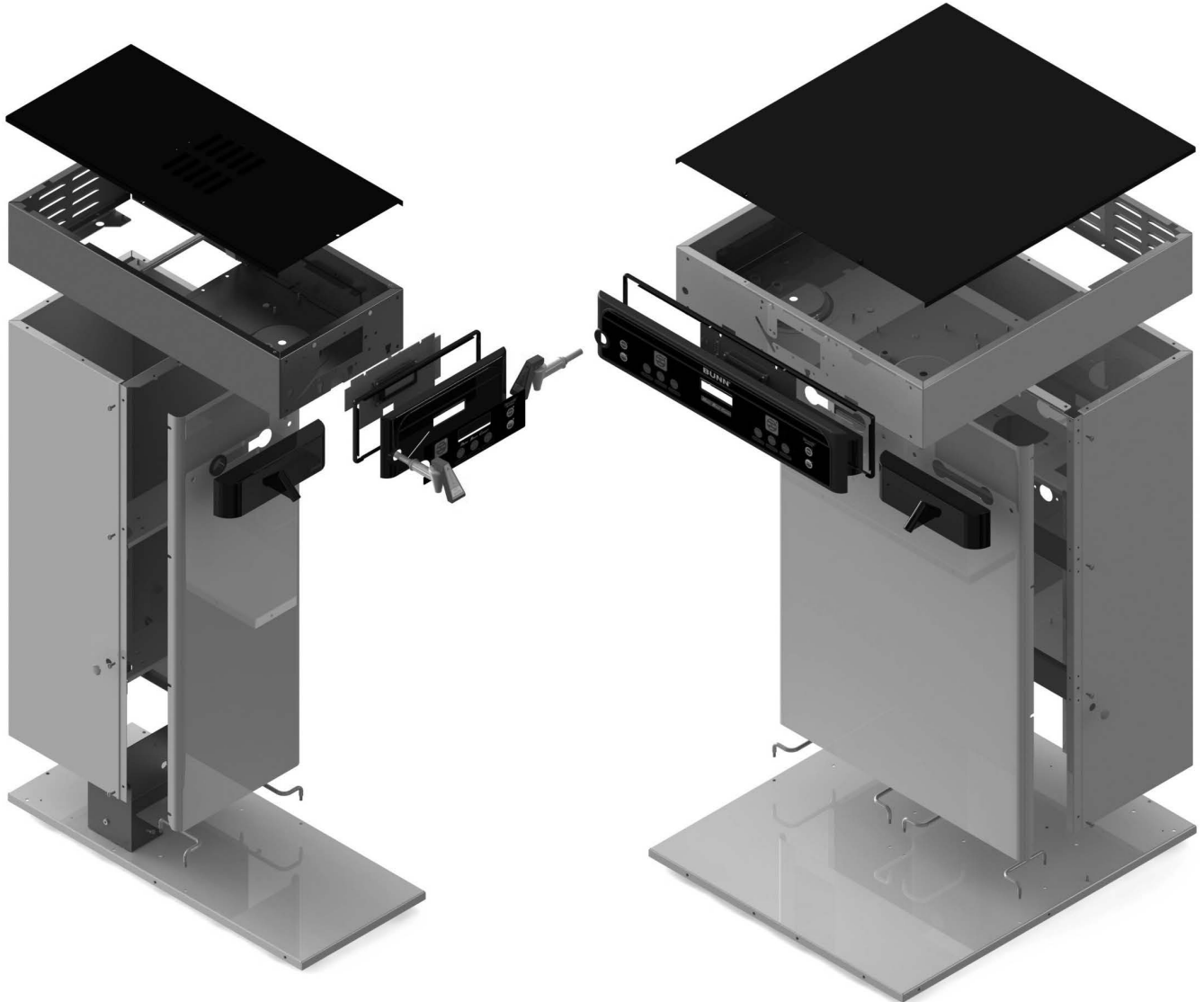


BUNN®

*ITCB-DV HV
ITCB TWIN HV
Infusion Series®*



ILLUSTRATED PARTS CATALOG

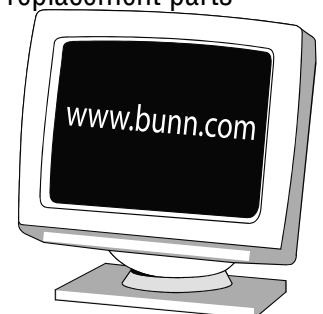
Designs, materials, weights, specifications, and dimensions for equipment or replacement parts are subject to change without notice.

BUNN-O-MATIC CORPORATION

POST OFFICE BOX 3227

SPRINGFIELD, ILLINOIS 62708-3227

PHONE: (217) 529-6601 FAX: (217) 529-6644



BUNN-O-MATIC COMMERCIAL PRODUCT WARRANTY

Bunn-O-Matic Corp. ("BUNN") warrants equipment manufactured by it as follows:

- 1) Airpots, thermal carafes, decanters, GPR servers, iced tea/coffee dispensers, MCR/MCP/MCA single cup brewers, thermal servers and ThermoFresh® servers (mechanical and digital) 1 year parts and 1 year labor.
- 2) All other equipment - 2 years parts and 1 year labor plus added warranties as specified below:
 - a) Electronic circuit and/or control boards - parts and labor for 3 years.
 - b) Compressors on refrigeration equipment - 5 years parts and 1 year labor.
 - c) Grinding burrs on coffee grinding equipment to grind coffee to meet original factory screen sieve analysis - parts and labor for 4 years or 40,000 pounds of coffee, whichever comes first.

These warranty periods run from the date of installation BUNN warrants that the equipment manufactured by it will be commercially free of defects in material and workmanship existing at the time of manufacture and appearing within the applicable warranty period. This warranty does not apply to any equipment, component or part that was not manufactured by BUNN or that, in BUNN's judgment, has been affected by misuse, neglect, alteration, improper installation or operation, improper maintenance or repair, non periodic cleaning and descaling, equipment failures related to poor water quality, damage or casualty. In addition, the warranty does not apply to replacement of items subject to normal use including but not limited to user replaceable parts such as seals and gaskets. This warranty is conditioned on the Buyer 1) giving BUNN prompt notice of

any claim to be made under this warranty by telephone at (217) 529-6601 or by writing to Post Office Box 3227, Springfield, Illinois 62708-3227; 2) if requested by BUNN, shipping the defective equipment prepaid to an authorized BUNN service location; and 3) receiving prior authorization from BUNN that the defective equipment is under warranty.

THE FOREGOING WARRANTY IS EXCLUSIVE AND IS IN LIEU OF ANY OTHER WARRANTY, WRITTEN OR ORAL, EXPRESS OR IMPLIED, INCLUDING, BUT NOT LIMITED TO, ANY IMPLIED WARRANTY OF EITHER MERCHANTABILITY OR FITNESS FOR A PARTICULAR PURPOSE. The agents, dealers or employees of BUNN are not authorized to make modifications to this warranty or to make additional warranties that are binding on BUNN. Accordingly, statements by such individuals, whether oral or written, do not constitute warranties and should not be relied upon.

If BUNN determines in its sole discretion that the equipment does not conform to the warranty, BUNN, at its exclusive option while the equipment is under warranty, shall either 1) provide at no charge replacement parts and/or labor (during the applicable parts and labor warranty periods specified above) to repair the defective components, provided that this repair is done by a BUNN Authorized Service Representative; or 2) shall replace the equipment or refund the purchase price for the equipment.

THE BUYER'S REMEDY AGAINST BUNN FOR THE BREACH OF ANY OBLIGATION ARISING OUT OF THE SALE OF THIS EQUIPMENT, WHETHER DERIVED FROM WARRANTY OR OTHERWISE, SHALL BE LIMITED, AT BUNN'S SOLE OPTION AS SPECIFIED HEREIN, TO REPAIR, REPLACEMENT OR REFUND.

In no event shall BUNN be liable for any other damage or loss, including, but not limited to, lost profits, lost sales, loss of use of equipment, claims of Buyer's customers, cost of capital, cost of down time, cost of substitute equipment, facilities or services, or any other special, incidental or consequential damages.

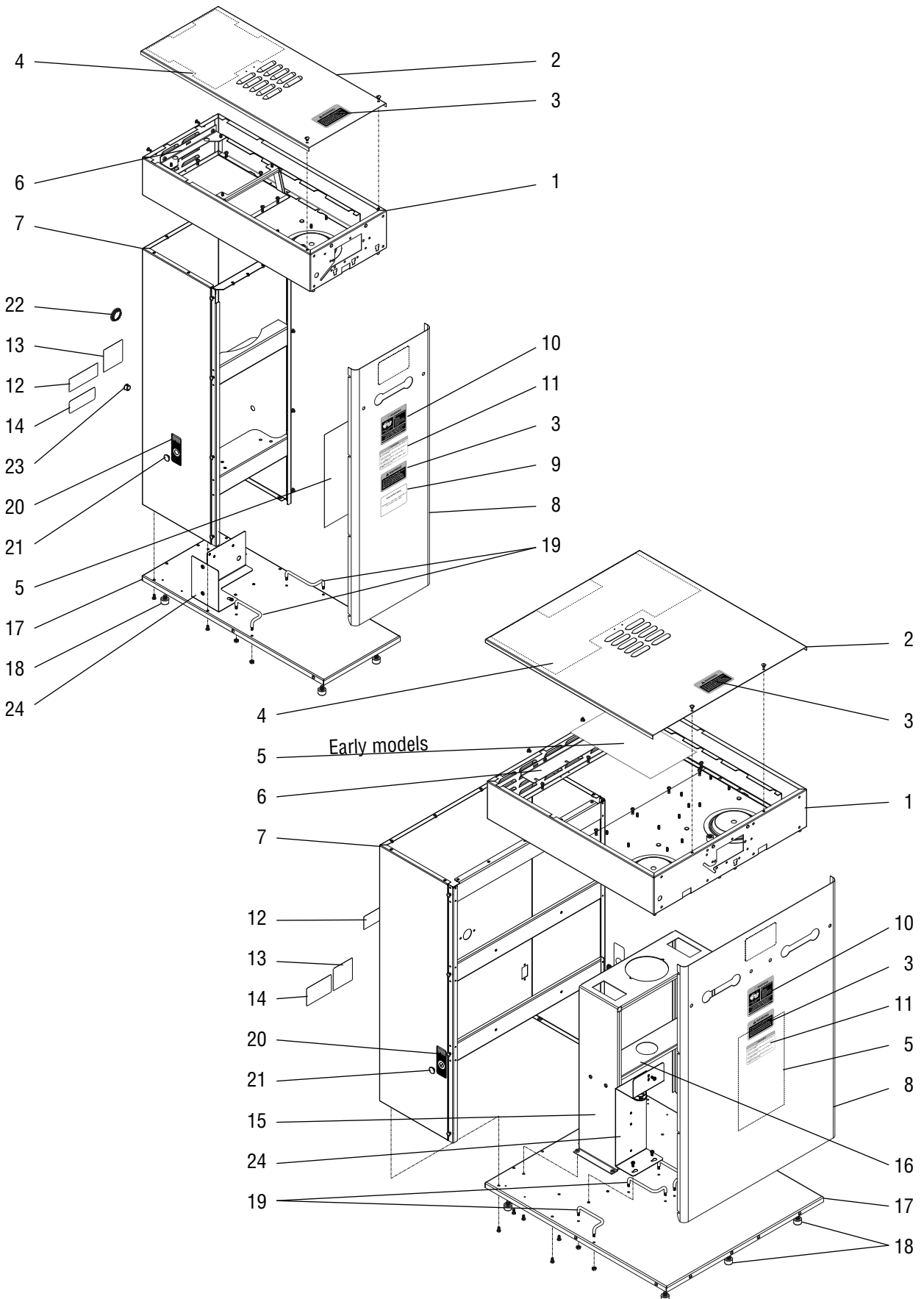
392, A Partner You Can Count On, Air Infusion, AutoPOD, AXIOM, BrewLOGIC, BrewMETER, Brew Better Not Bitter, BrewWISE, BrewWIZARD, BUNN Espresso, BUNN Family Gourmet, BUNN Gourmet, BUNN Pour-O-Matic, BUNN, BUNN with the stylized red line, BUNNlink, Bunn-O-Matic, Bunn-O-Matic, BUNNserve, BUNNSERVE with the stylized wrench design, Cool Froth, DBC, Dr. Brew stylized Dr. design, Dual, Easy Pour, EasyClear, EasyGard, FlavorGard, Gourmet Ice, Gourmet Juice, High Intensity, iMIX, Infusion Series, Intellisteam, My Café, Phase Brew, PowerLogic, Quality Beverage Equipment Worldwide, Respect Earth, Respect Earth with the stylized leaf and coffee cherry design, Safety-Fresh, savemycoffee.com, Scale-Pro, Silver Series, Single, Smart Funnel, Smart Hopper, SmartWAVE, Soft Heat, SplashGard, The Mark of Quality in Beverage Equipment Worldwide, ThermoFresh, Titan, trifacta, TRIFECTA (stylized logo), Velocity Brew, Air Brew, Beverage Bar Creator, Beverage Profit Calculator, Brew better, not bitter., Build-A-Drink, BUNNSource, Coffee At Its Best, Cyclonic Heating System, Daypart, Digital Brewer Control, Element, Milk Texturing Fusion, Nothing Brews Like a BUNN, Picture Prompted Cleaning, Pouring Profits, Signature Series, Sure Tamp, Tea At Its Best, The Horizontal Red Line, Ultra are either trademarks or registered trademarks of Bunn-O-Matic Corporation. The commercial trifacta® brewer housing configuration is a trademark of Bunn-O-Matic Corporation.

TABLE OF CONTENTS

COVERS AND PANELS	4
TANK AND COMPONENTS	6
TANK FILL/DRAIN AND DILUTION	8
DISPENSE/BYPASS VALVES, SPRAYHEAD, & FAUCET	10
ELECTRICAL AND OPERATING CONTROLS	14
FUNNELS	18
NUMERICAL INDEX	20

To order coffee filters, water filters, or other accessories, refer to Specification Sheets at www.bunn.com

Fraction	Decimal		Fraction	Decimal
1/16	0.063		9/16	0.563
1/8	0.125		5/8	0.625
3/16	0.188		11/16	0.688
1/4	0.250		3/4	0.750
5/16	0.313		13/16	0.813
3/8	0.375		7/8	0.875
7/16	0.438		15/16	0.938
1/2	0.500		1	1.000



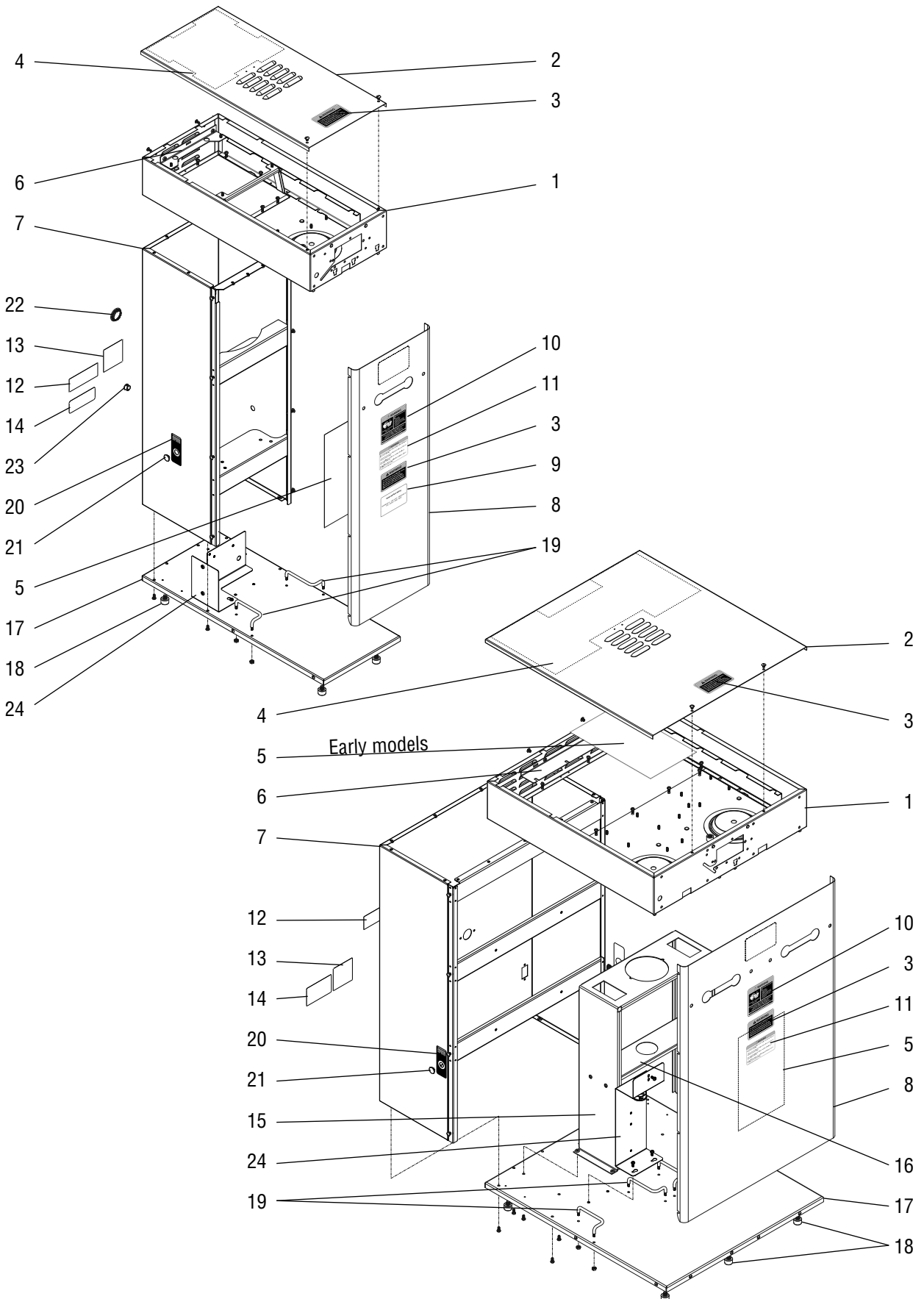
* Indicates the part number listed is for reference only.

COVERS AND PANELS

ITEM	PART NO.	QTY. TWIN	QTY. SINGLE	DESCRIPTION
1	36639.0013	-	1	Hood, SST - Single
	37920.0109	1	-	Hood, SST - Twin
	02308.0000	20	10	Screw, Pan Head #8-32 x .375"
2	36355.1009	-	1	Cover, Top Single (Includes 3, 4) (1 Screw)
	36355.1021	-	1	Cover, Top Single (Includes 3, 4) (2 Screws) (Shown)
	37870.1006	1	-	Cover, Top Twin (Includes 3, 4)
	01308.0003	2	1	Screw, Truss Head BLK #6-32 x .25"
3	37881.0000	2	2	Decal, No Serviceable Parts
4	25151.0002	-	1	Shield, Insulator
	25151.0003	1	-	Shield, Insulator
5	43828.0000	-	1	Schematic, DV
	43828.0002	-	1	Schematic, DV (w/Triacs)
	43828.0003	-	1	Schematic, (w/Triacs) CE Only
	44145.0000	1	-	Schematic, Twin
	44145.0001	1	-	Schematic, Twin (w/Triacs)
6	36608.0001	-	1	Bracket, Upper Tank Support, Single
	01317.0003	-	2	Screw, Truss Head #8-32 x .375"
	37967.0000	1	-	Bracket, Upper Tank Support, Twin
	01308.0002	2	-	Screw, Truss Head #6-32 x .25"
7	39453.1007	-	1	Trunk, Single 29.0" SST (Includes 12-14) for side use w/side faucet
		-	1	Trunk, Single 29.0" SST (CE ONLY) Not available
	39455.1005	1	-	Trunk, Twin SST 29" (w/Side Faucet) (Includes 12-14)
	02308.0000	10	8	Screw #8-32 x .375"
8	39450.1001	-	1	Panel, Front Single (Includes 3, 9-11)
	39541.1003	1	-	Panel, Front, Twin (Includes 3, 10, 11)
	01311.0001	8	8	Screw, Truss Head, Locking #8-32 x .25" (SST)
9	29710.0011	-	1	Decal, Optional Field Wiring (ICB-DV Only)
10	00658.0000	1	1	Decal, Warning-Decanter/Funnel
11	39175.0000	1	1	Decal, Warning Overlay Graphic
12	00656.0001	1	1	Decal, Compliance To Plumbing Code
13	00986.0000	1	1	Decal, Warning-Electrical
14	34072.0000	-	1	Decal, Power Cord Warning Single
	38125.0000	1	-	Decal, Warning-Plug (125/250V) Twin
15	39596.0001	1	-	Lower Tank Support (Twin)
	02308.0000	4	4	Screw #8-32 X .375"
16	39599.0000	1	-	Bracket, Tank Support (Twin)
	02308.0000	4	-	Screw #8-32 x .375"
17	39615.0001	-	1	Base, Single
	39615.0003	-	1	Base, Single (w/Triacs)
	39615.0004	-	1	Base, Single (w/Triacs) CE Only
	39594.0003	1	-	Base, Twin
	39594.0005	1	-	Base, Twin (w/Triacs)
	01317.0003	8	4	Screw, Truss Head #8-32 x .375" Sides of Bases (For future use)
18	25137.0001	6	4	Foot

Continued on next page

* Indicates the part number listed is for reference only.

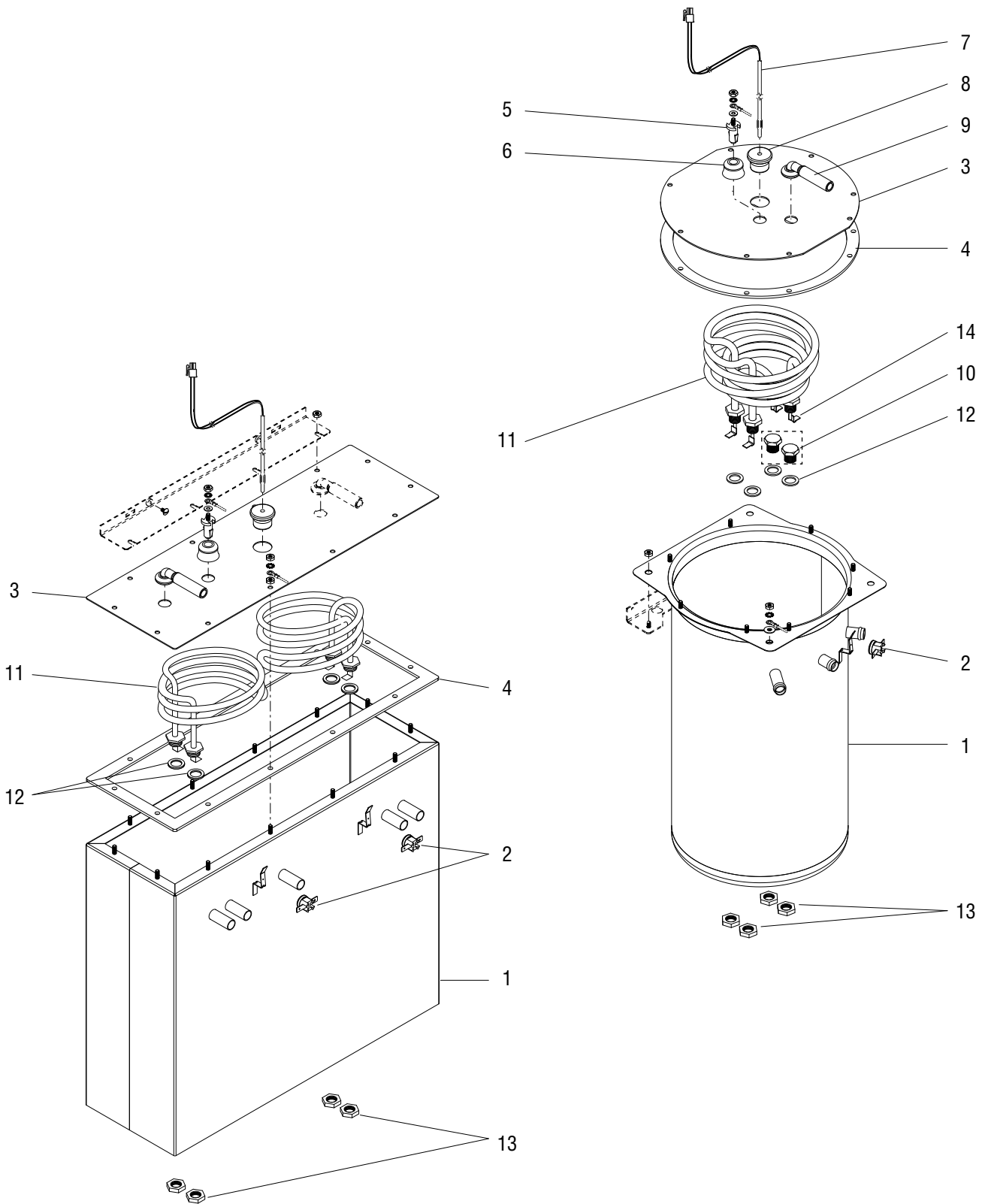


* Indicates the part number listed is for reference only.

COVERS AND PANELS


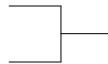
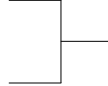
ITEM	PART NO.	QTY.		DESCRIPTION
		TWIN	SINGLE	
19	43820.0000	2	1	Rail, Left
	43820.0001	2	1	Rail, Right
	00970.0000	8	4	Nut, Keps #8-32
20	29007.0000	2	2	Decal, Hot Water
21	00619.0007	2	2	Plug, Hole .50" Dia.
22	00619.0005	-	1	Plug, Hole .062" Dia.
23	00669.0002	-	1	Plug, Hole-Nyl Blk .50" Dia
24	47384.0001	-	1	Bracket, Heatsink (Single)
	47562.0001	1	-	Bracket, Heatsink (Twin)
	02308.0000	3	2	Screw, Pan Head #8-32 x .375"
	01592.0001	1	-	Bushing, Snap In 1.188" (Twin Only)

* Indicates the part number listed is for reference only.



* Indicates the part number listed is for reference only.

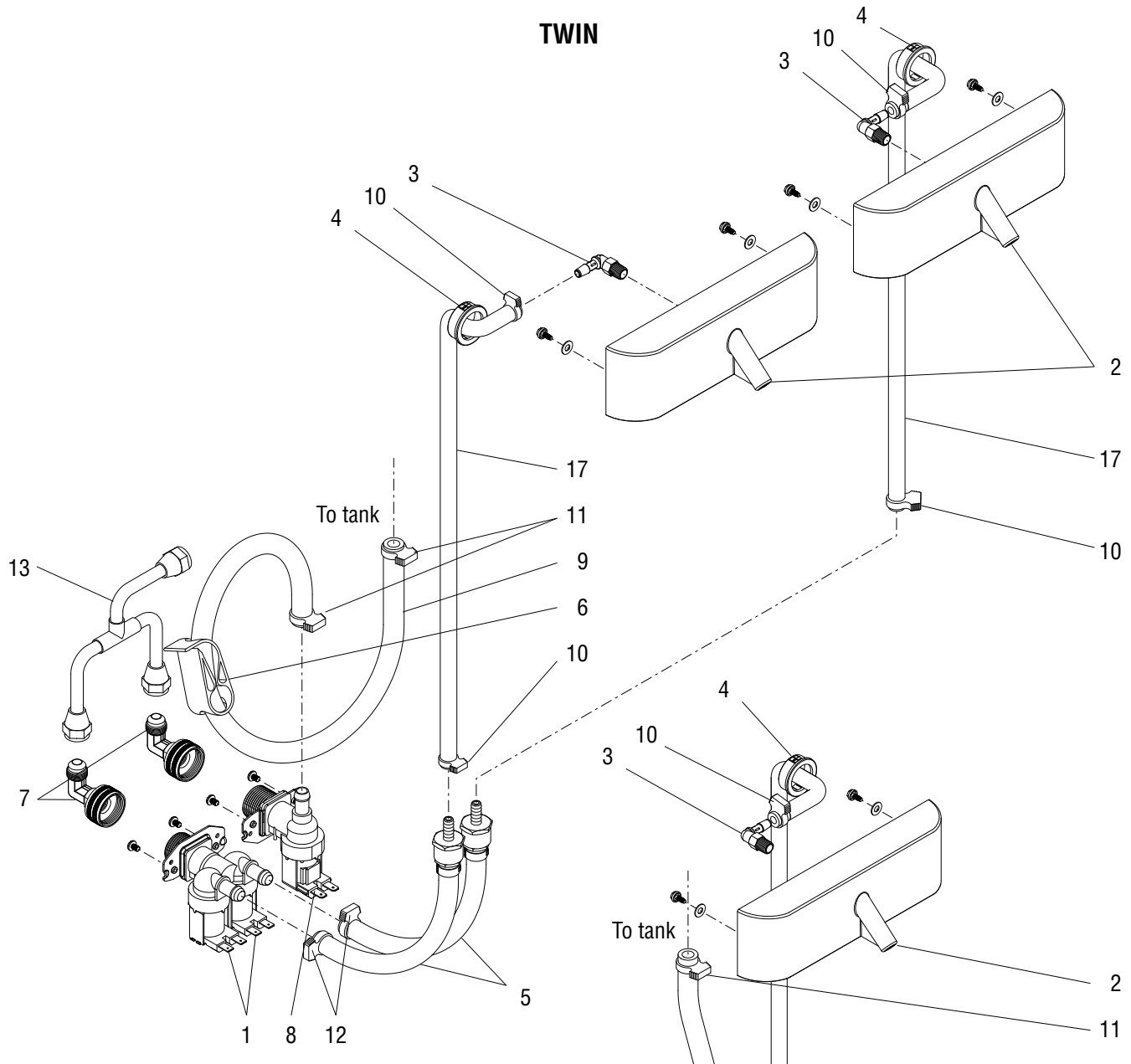
TANK AND COMPONENTS

ITEM	PART NO.	QTY. TWIN	QTY. SINGLE	DESCRIPTION	
1	36604.0000	-	1	Tank, Single	
	37782.0004	1	-	Tank, Twin	
	00908.0000	-	4	Nut, #8-32	
	01522.0000	-	1	Flat Washer	
	01511.0000	-	1	Lockwasher, Ext. Tooth #8	
2	29329.1000	2	1	Thermostat, Limit	
3	36606.0001	-	1	Tank Lid, Single	
	37776.0005	1	-	Tank Lid, Twin	
	00908.0000	12	8	Nut, #8-32	
	01511.0000	2	1	Lockwasher, Ext. Tooth #8	
4	36605.0000	-	1	Gasket, Tank Lid (Single)	
	35937.0002	1	-	Gasket, Tank Lid (Twin)	
5	07412.1002	1	1	Probe Kit, Liquid Level	
	01501.0000	1	1	Flat Washer	
	20203.0100	1	1	Lockwasher, Int. Tooth #8	
	00908.0000	1	1	Nut, #8-32	
6	38114.0000	1	1	Grommet, Liquid Level Probe	
7	39085.1001	1	1	Probe, Temperature Sensor	
8	33801.0003	1	1	Grommet, Temperature Sensor	
9	38969.0001	1	1	Fitting, 90° Silicone (Newer Twins use one on left side only)	
10	00486.0003	-	2	Plug (Non DV Single)	
11	29485.1001	-	1	Tank Heater 2268W, 120V (Includes item 12) Single DV (Outer)	
	29669.1000	-	1	Tank Heater 3000W, 240V (Includes item 12) (CE)	
	29485.1006	2	-	Tank Heater 3000W, 240V (Includes item 12) Twin	
	29485.1007	2	-	Tank Heater 3000W, 208V (Includes item 12) Twin	
12	00943.0000	4	4	Gasket, Tank Heater	
13	00942.0000	4	4	Nut, Brass .5"-20	
14	02755.1002	-	1	Tank Heater 1680W, 120V (Includes item 14) DV Only (Inner)	

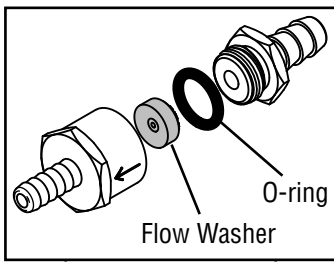
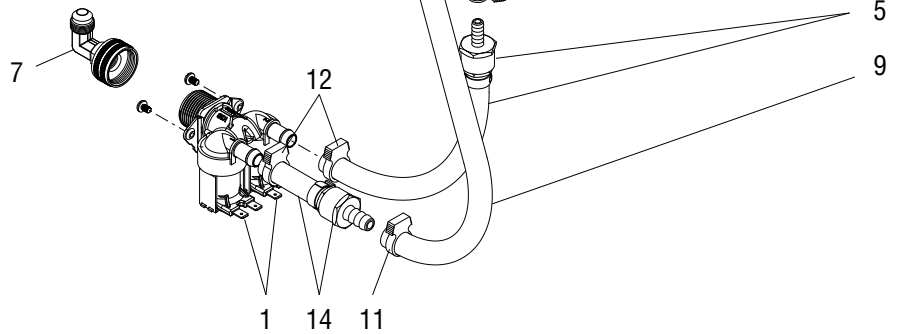
The following items are not illustrated

15	37298.1003	-	1	Tank Assembly DV
	37755.1002	1	-	Tank Assembly 3000W 240V (Twin)
16	22918.0002	-	2	Thermal Fuse (CE Only)

TWIN



SINGLE



18

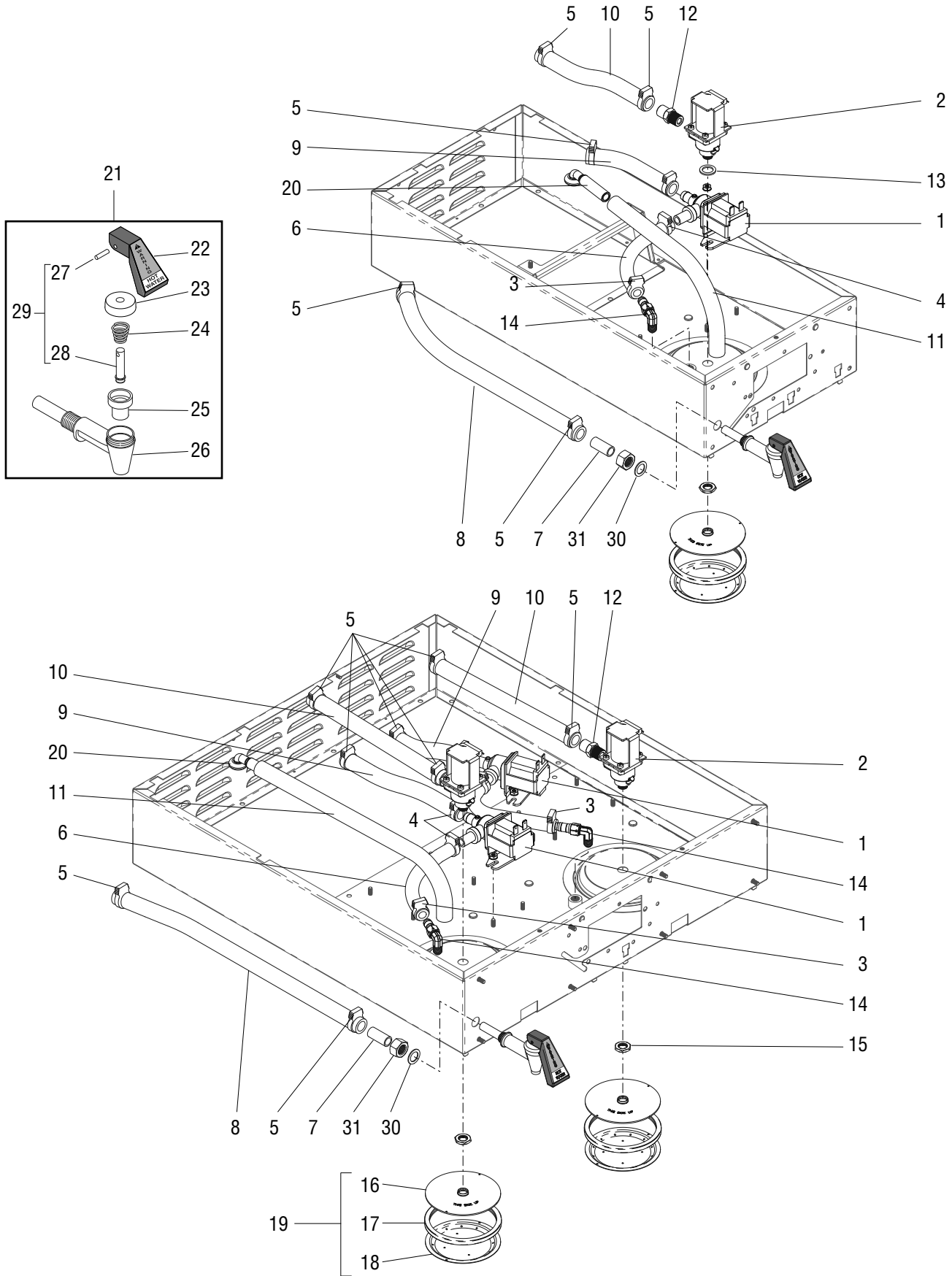
* Indicates the part number listed is for reference only.

FILL AND DILUTION

ITEM	PART NO.	QTY. TWIN	QTY. SINGLE	DESCRIPTION
1	43041.0000	1	1	Valve, Water Inlet 120V (DOUBLE)
	41761.0008	-	1	Valve, Water Inlet 230V (DOUBLE)
	32283.0000	2	2	Screw, Pan Head M4 x 6MM
	46884.0000	1	1	Strainer, Inlet
2	36360.1001	2	1	Nozzle, Dilution (Includes Elbow)
	02332.0005	4	2	Screw, Hex #6 x .375"
	28614.0000	4	2	Washer, Washer, .204ID x .438OD x .03 SST
3	40783.0000	2	1	Elbow
4	01592.0001	2	1	Bushing, Snap
5	41665.0001	-	1	Tube Assembly, Dilution .50GPM (SINGLE)
	41665.0000	2	-	Tube Assembly, Dilution .50GPM (TWIN)
6	11630.0001	1	1	Clamp
7	37297.1001	2	1	Elbow, .375" Flare x .75" FGHT
8	42025.0000	1	-	Valve, Water Inlet 120V (SINGLE)
	32283.0000	2	-	Screw, Pan Head M4 x 6MM
	46884.0000	1	1	Strainer, Inlet
9		-	1	Tube, Silicone .375" ID x 16.0" (order item 20) SINGLE
		1	-	Tube, Silicone .375" ID x 21.0" (order item 20) TWIN
10	12422.0000	4	2	Clamp, Hose-Snap SNP # 6
11	12422.0001	2	2	Clamp, Hose-Snap SNP # 10
12	12422.0005	2	2	Clamp, Hose-Snap SNP # 12
13	44168.0000	1	-	Tube Assembly
14	41666.0005	-	1	Tube Assembly, Fill .75GPM (SINGLE)
15		1	1	Tube, Silicone .375" ID x 20.0" (order item 20)
16		-	1	Tube, Silicone .375" ID x 2.25" (order item 20)
		1	-	Tube, Silicone .375" ID x 1.75" (order item 20)
17		-	1	Tube, Silicone .25" ID x 23.0" (order item 19)
		2	-	Tube, Silicone .25" ID x 35.0" (order item 19)
18	20526.2500	-	-	Repair Kit, Flow Control (Includes O-ring & .50 GPM flow washer)
	20526.2750	-	-	Repair Kit, Flow Control (Includes O-ring & .75 GPM flow washer)

The following items are not illustrated

19	11707.1000	-	-	Tubing .250" I.D. x .5" OD x 1 Foot
	11707.1001	-	-	Tubing .250" I.D. x .5" OD x 3 Feet
	11707.1002	-	-	Tubing .250" I.D. x .5" OD x 10 Feet
20	20976.1000	-	-	Tube, Silicone .375" ID x 12.0" (Use as required)
	20976.1001	-	-	Tube, Silicone .375" ID x 36.0" (Use as required)
	20976.1002	-	-	Tube, Silicone .375" ID x 120.0" (Use as required)



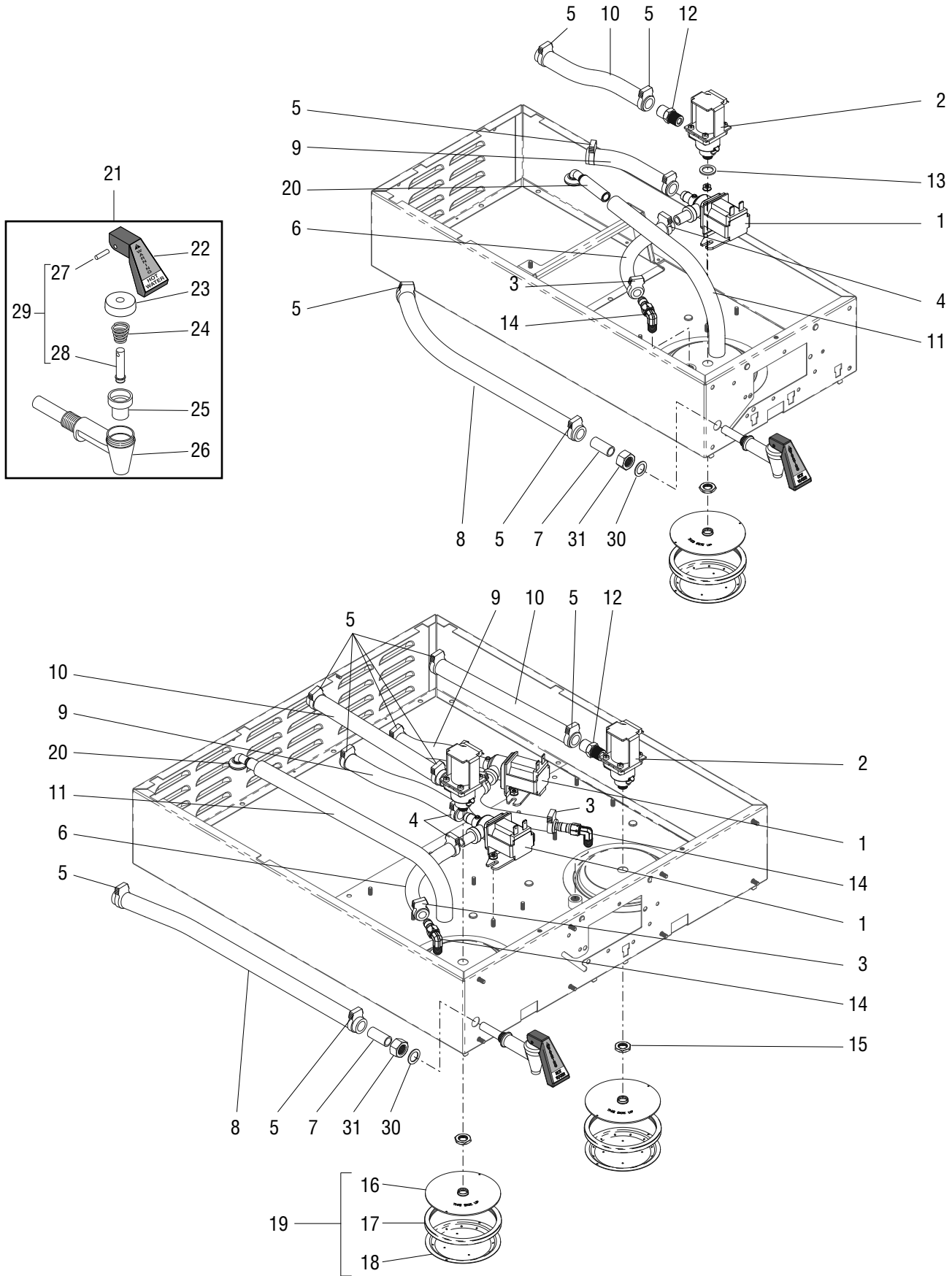
* Indicates the part number listed is for reference only.

DISPENSE/BYPASS VALVES, SPRAYHEAD, & FAUCET

ITEM	PART NO.	QTY.	QTY.	DESCRIPTION	
		TWIN	SINGLE		
1	27370.0003	4	1	Valve Assembly, Bypass 120V	
	27370.0005	4	1	Valve Assembly, Bypass 240V	
	00970.0000	4	2	Nut, KEPS #8-32	
2	26846.0000	2	1	Valve Assembly, Sprayhead 120V	
	26846.0001	2	1	Valve Assembly, Sprayhead 200V	
	26846.0002	-	1	Valve Assembly, Sprayhead 240V	
	00970.0000	-	2	Nut, KEPS #8-32	
3	12422.0001	2	1	Clamp, Hose-Snap SNP # 10	
4	12422.0005	4	2	Clamp, Hose-Snap SNP # 12	
5	12422.0009	8	5	Clamp, Hose-Snap SNP # 14	
6		-	1	Tube .375" ID x 6.0" (Bypass to Elbow) (Order item 33)	
		2	-	Tube .375" ID x 6.5" (Bypass to Elbow) (Order item 33)	
7		1	1	Tube, Silicone .375" ID X 1.2" LG (Order item 35)	
8		1	-	Tube .50" ID x 16.0" Faucet	
		-	1	Tube .50" ID x 13.5" Faucet	
9		1	1	Tube .50" ID x 5.0" (Tank to Bypass) Single	
		1	1	Tube .50" ID x 7.0" (Tank to Bypass) Twin Left	
		1	-	Tube .50" ID x 4.0" (Tank to Bypass) Twin Right	
10		-	1	Tube .50" ID x 7.0" (Tank to Brew Valve)	
		2	-	Tube .50" ID x 9.0" (Tank to Brew Valve)	
11		-	1	Tube .50" ID x 10.5" (Vent)	
		1	-	Tube .50" ID x 15.5" (Vent)	
12	34956.0003	2	-	Fitting, .25 NPTF .550D/.281ID	
	34956.0004	-	1	Fitting, .25 NPTF .550D/.255ID	
13	00943.0000	2	1	Gasket, Sprayhead Fitting	
14	32648.0000	2	1	Elbow Assy, .125 MPT x.35 Barb	
15	01075.0000	2	1	Nut, Hex .438"-20	
16	35070.0001	2	1	Back, Sprayhead	
17	34868.0000	2	1	Seal	
18	34867.0005	2	1	Sprayhead, 17 hole	
19	35308.1005	2	1	Kit, Sprayhead (Includes items 16 - 18)	
20	38969.0001	2	1	Fitting, 90° Silicone	
21	29075.0000	1	1	Faucet Assy (Includes items 22 - 29)	
22	02861.0003	1	1	Handle, Red w/Warning	
23	02854.0000	1	1	Bonnet	
24	02595.0000	1	1	Spring	
25	02766.0000	1	1	Cup	

Continued on next page

* Indicates the part number listed is for reference only.



* Indicates the part number listed is for reference only.

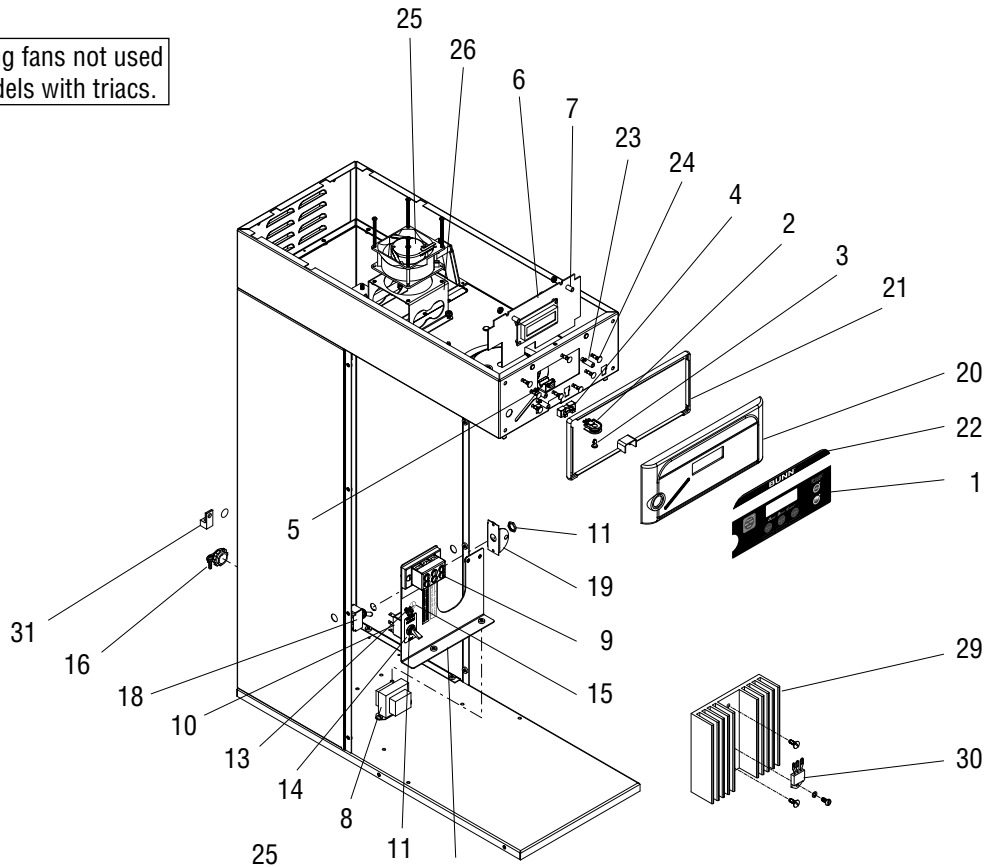
DISPENSE/BYPASS VALVES, SPRAYHEAD, AND FAUCET

ITEM	PART NO.	QTY.	QTY.	DESCRIPTION
		TWIN	SINGLE	
26		1	1	Body (Order item 21)
27	02858.0000	1	1	Pin, Spring
28	13054.0000	1	1	Stem
29	02594.0000	1	1	Faucet Stem w/Pin (Includes 29 & 30)
30	01544.0000	1	1	Washer, .50" ID x .75" OD
31	29264.0000	1	1	Nut

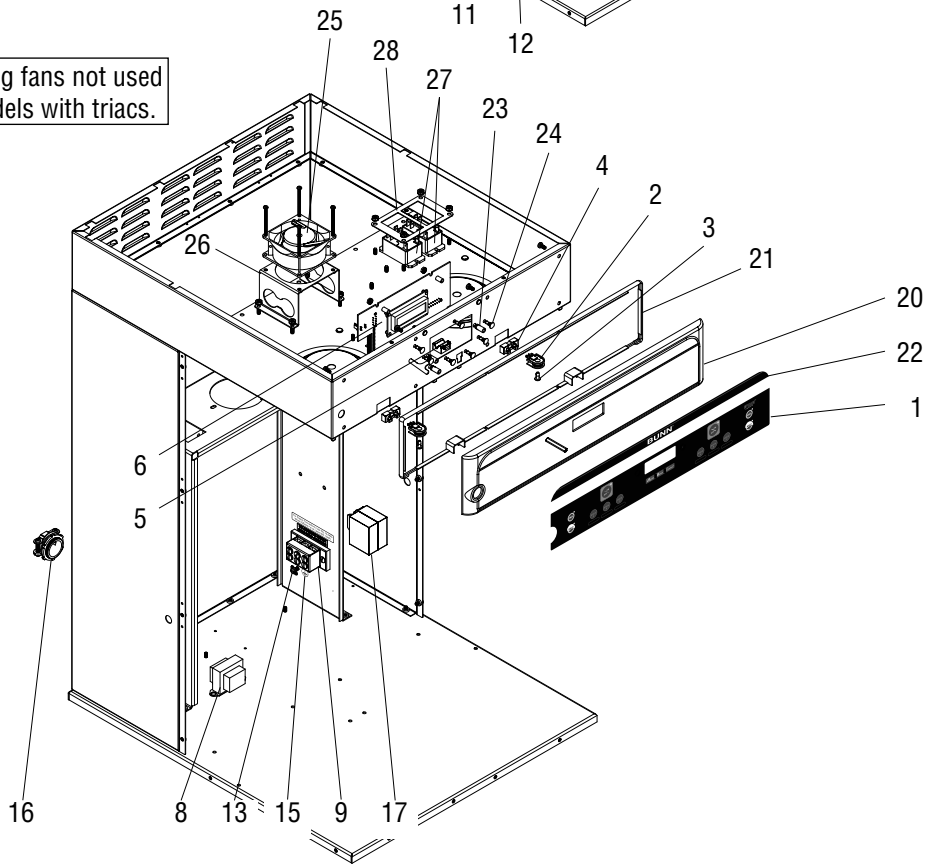
The following items are not illustrated

32	11517.0008	-	-	Repair Kit, Dispense Valve (Includes Plunger, Spring and Diaphragm)
33	20976.1000	-	-	Tube .375" ID x 1 Foot (Use as required)
	20976.1001	-	-	Tube .375" ID x 3 Feet (Use as required)
	20976.1002	-	-	Tube .375" ID x 10 Feet (Use as required)
	20976.1004	-	-	Tube .375" ID x 250 Feet (Use as required)
34	32591.1001	-	-	Tube .50" ID x 1 Foot (Use as required)
	32591.1002	-	-	Tube .50" ID x 3 Feet (Use as required)
	32591.1003	-	-	Tube .50" ID x 10 Feet (Use as required)
	32591.1004	-	-	Tube .50" ID x 250 Feet (Use as required)
35	41193.1000	-	-	Tube .375" ID x 10 Feet (Use as required)
	41193.1001	-	-	Tube .375" ID x 3 Feet (Use as required)
	41193.1002	-	-	Tube .375" ID x 1 Foot (Use as required)
	41193.1004	-	-	Tube .375" ID x 250 Feet (Use as required)

NOTE: Cooling fans not used in newer models with triacs.



NOTE: Cooling fans not used in newer models with triacs.



* Indicates the part number listed is for reference only.

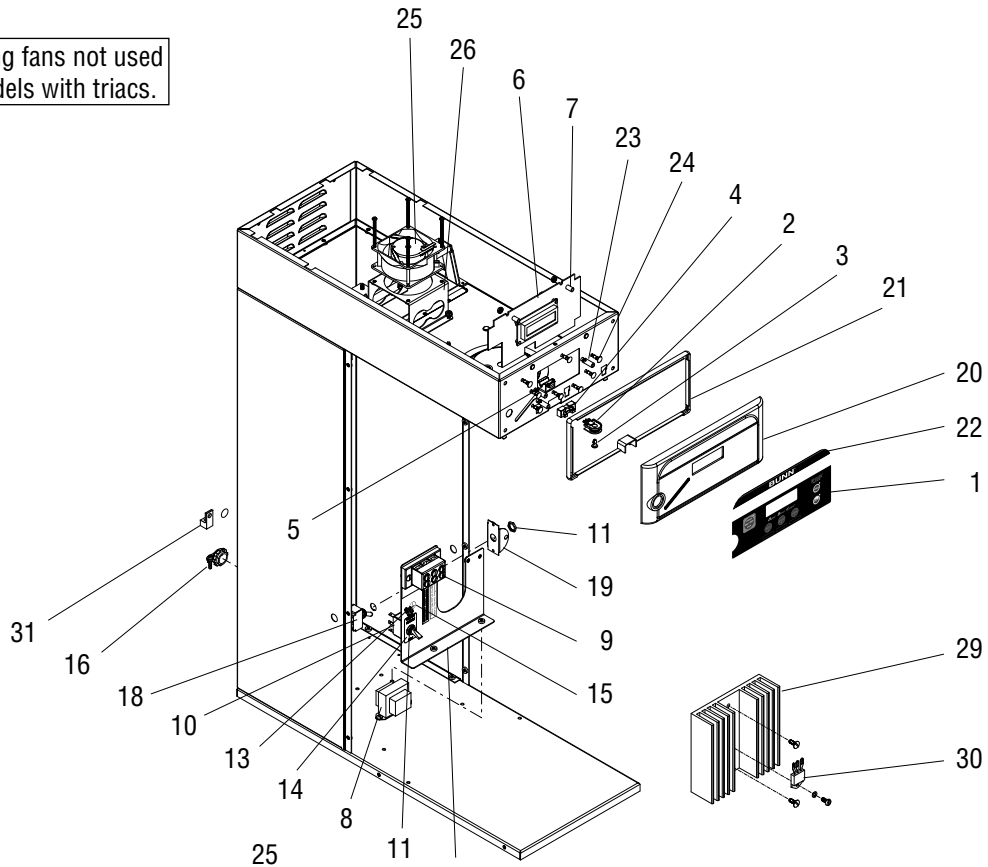
ELECTRICAL AND OPERATING CONTROLS

ITEM	PART NO.	QTY.		DESCRIPTION
		TWIN	SINGLE	
1	36367.0000	-	1	Membrane Switch
	37875.0000	1	-	Membrane Switch
2	32572.1000	2	1	Sensing Coil
3	35956.0000	2	1	Fastener
4	36587.0000	2	1	Plug
5	36366.0000	2	1	Mount
6	45787.1043	-	1	Control Board (Single) (RoHS) (Pre-triac)
	45787.1060	-	1	Control Board (Single) (CE Only) w/External Triac
	45787.1034	1	-	Control Board (Twin) (RoHS)
	00973.0000	2	-	Nut, Keps #6-32
	48443.0024	-	1	Retrofit CBA Kit (All early Singles)
	48444.0010	1	-	Retrofit CBA Kit (All early Twins)
	48443.0033	-	1	Retrofit CBA Kit (All early Singles) CE ONLY
	48444.0013	1	-	Retrofit CBA Kit (All early Twins) CE ONLY
7	01533.0011	2	2	Spacer
8	34307.1001	1	1	Transformer 120V
	34307.1002	1	1	Transformer 230V
	00970.0000	2	2	Nut, Keps #8-32
9	07038.0000	1	1	Terminal Block 120V/240V
	01106.0003	1	1	Terminal Block 230V
	01317.0000	2	2	Screw, Truss Head #8-32 x .50"
10	23522.1001	-	1	Switch, Toggle (ICB-DV models only)
11	23696.0000	-	1	Nut
12	38344.1101	-	1	Bracket W/Decals (DV models)
	02308.0000	-	2	Screw, Pan Head #8-32 x .38"
13	37804.0000	1	1	Screw, Grounding #8-32 x .50"
14	34056.0001	-	1	Decal, Voltage Selection (DV models only)
15	00824.0002	1	1	Decal, Ground
16	01685.0000	-	1	Cord Connector
	01590.0000	1	-	Cord Connector
17	38894.0001	1	1	Switch, Rocker - Main On/Off (Twin Only)
	01308.0002	2	2	Screw, Truss Head #6-32 x .25"
18	40763.0001	-	1	Switch, Toggle - Main On/Off (Single Only)
	28004.0000	-	1	Switch, Toggle - Main On/Off (Single Only) (CE Only)
19	25102.0000	-	1	Bracket, Switch
	25102.0001	-	1	Bracket, Switch (CE Only)
	28098.0000	-	1	Fastener, Snap in (CE Only)
20	37827.1001	1	-	Bezel, Control Panel
	36359.1001	-	1	Bezel, Control Panel
	37827.1101	1	-	Bezel Kit (Includes Membrane, Decal, Gasket, & Sensing Coil-Assembled)
	36359.1101	-	1	Bezel Kit (Includes Membrane, Decal, Gasket, & Sensing Coil-Assembled)
	02308.0000	8	4	Screw, Pan Head #8-32 x .375"
21	36364.0000	-	1	Gasket
	37874.0000	1	-	Gasket
22	37877.0000	1	-	Decal, Top
	36368.0000	-	1	Decal, Top

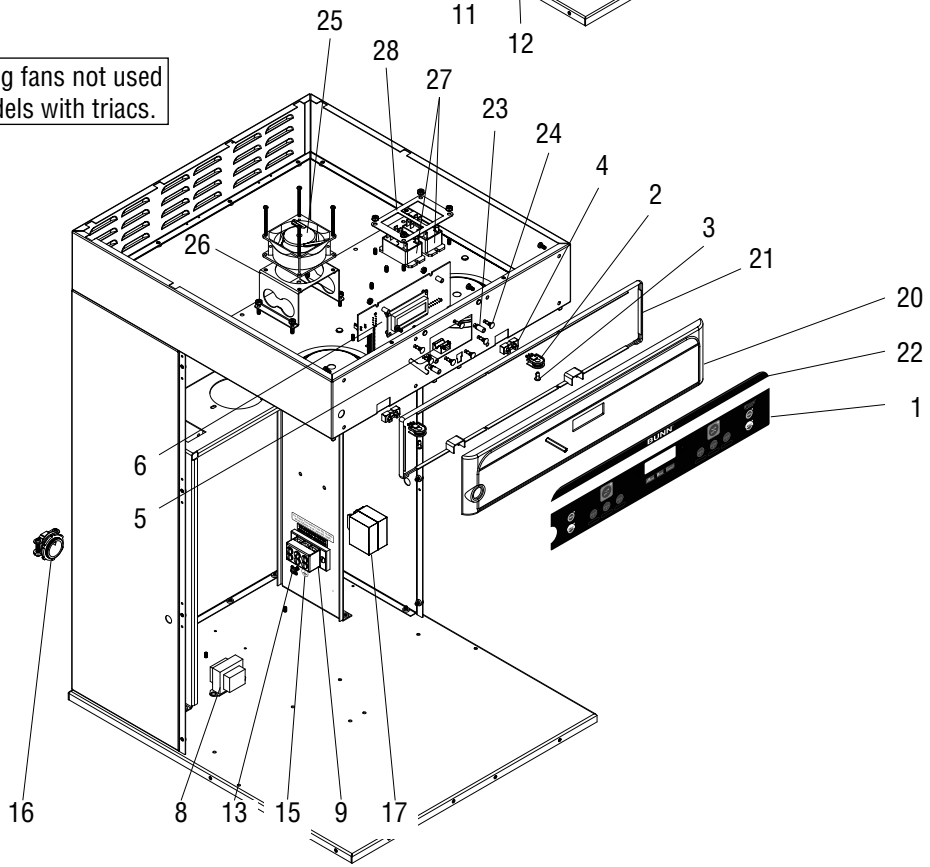
Continued on next page

* Indicates the part number listed is for reference only.

NOTE: Cooling fans not used in newer models with triacs.



NOTE: Cooling fans not used in newer models with triacs.



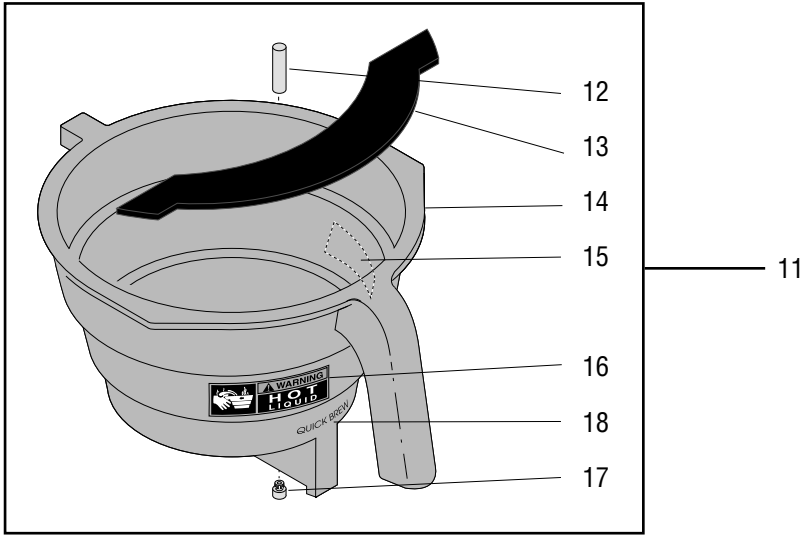
* Indicates the part number listed is for reference only.

ELECTRICAL AND OPERATING CONTROLS

ITEM	PART NO.	QTY.		DESCRIPTION
		TWIN	SINGLE	
23	29081.0004	-	3	Spacer, Control Panel
	32530.0001	3	-	Spacer, Control Panel
24	42234.0000	7	8	Standoff (CBA)
25	44032.0000	1	1	Fan 120VAC (Early models only)
	02370.0002	4	4	Screw, Pan Head #6 - 32 x 2.0"
26	44029.0000	1	1	Bracket, Fan Mounting
	00970.0000	4	4	Nut, KEPS #8-32
27	44150.0000	2	-	Relays
28	44250.0000	1	-	Bracket, Relay Mounting
	00970.0000	4	4	Nut, KEPS #8-32
29	20541.0001	2	1	Heatsink
	01382.0007	4	2	Screw, 6-32 x .375
30	12565.0034	2	1	Triac, Replacement for all models (Order heat sink compound below)
	02328.0002	2	1	Screw, 6-32 x .188
	01520.0000	2	1	Lock Washer
	M2522.1000	-	-	Heat Sink Compound, 5oz Tube
31	27705.0000	-	1	Terminal Lug, Ground (CE Only)
	02308.0000	-	1	Screw, Pan Head #8-32 x .375" (CE Only)
	00824.0001	-	1	Decal, Equipotentiality (CE Only)

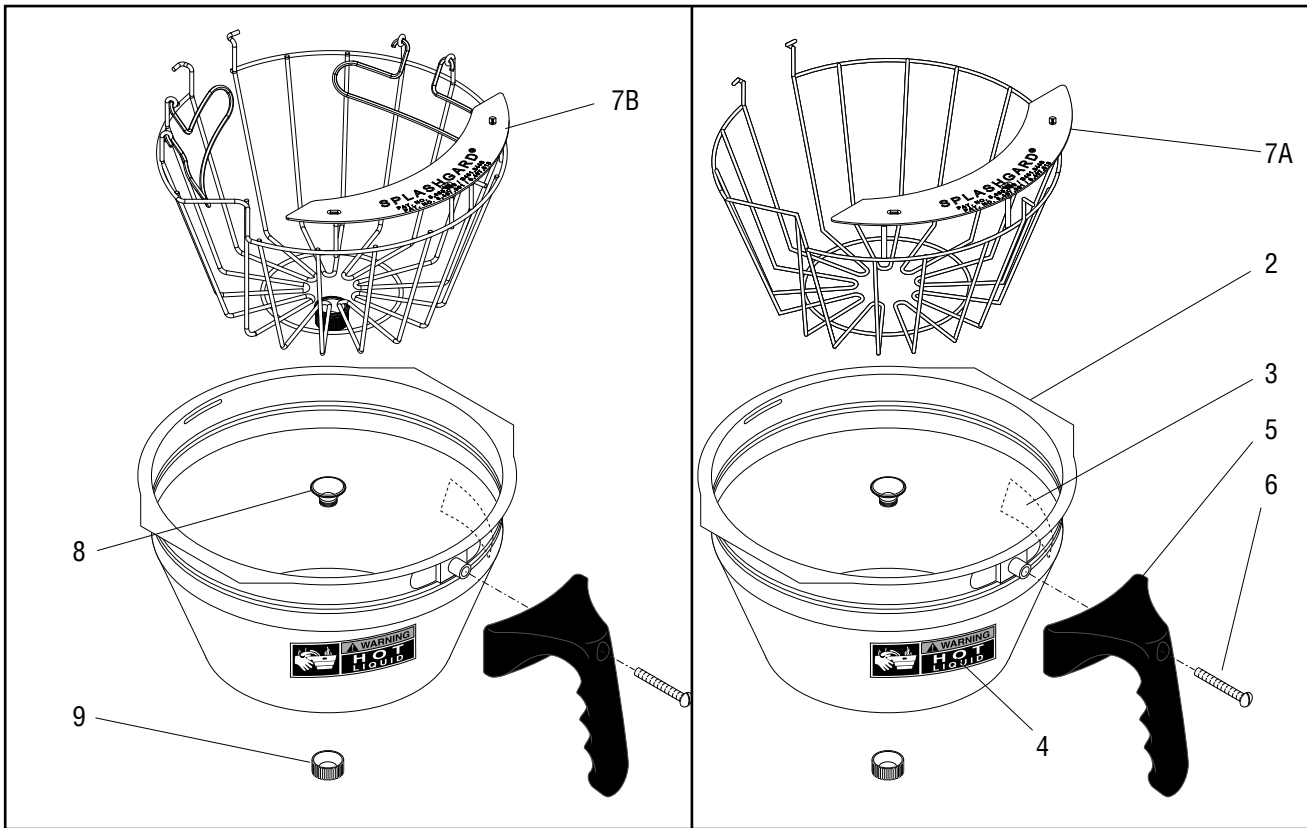
The following items are not illustrated

32	36677.0012	-	1	Wiring Harness, Main (DV)
	36677.0014	-	1	Wiring Harness, Main (CE)
	36677.0023	-	1	Wiring Harness, Main (DV) w/Triac
	38040.0007	1	-	Wiring Harness, Main (Twins)
	38040.0010	1	-	Wiring Harness, Main (Twins) w/Triac
33	36674.0002	-	1	Wiring Harness, Liquid Level (CBA to LLP)
	36674.0003	1	-	Wiring Harness, Liquid Level (CBA to LLP)
	36674.0007	1	-	Wiring Harness, Liquid Level (CBA to LLP) w/Triac
34	36675.0000	1	1	Wiring Harness, Sensing Coil (Left & Single)
	36675.0001	1	-	Wiring Harness, Sensing Coil (Right Side Only)
35	40081.0002	-	1	Wiring Harness, Toggle Switch to Term Block
36	44022.0000	1	1	Wiring Harness, Transformer to CBA
37	20630.0005	-	1	Power Cord (DV models only)
38	29446.0003	-	1	EMI Filter (CE Only)
39	34808.0005	-	1	Capacitor Assembly (EMI Filter)
40	34707.0006	-	1	Wiring Harness, EMI to Term Block



1B

1A



* Indicates the part number listed is for reference only.

FUNNELS

ITEM	PART NO.	QTY. TWIN	QTY. SINGLE	DESCRIPTION
1A	32643.0000	2	1	Funnel Assy, SST (Includes Items 2 thru 9)
1B	32643.0010	2	1	Funnel Assy, SST w/Clips (Includes Items 2 thru 9)
2	24462.0002	2	1	Funnel Body W/Decals (Includes items 3 & 4)
3	03408.0004	2	1	Decal, Caution-Remove Funnel
4	03409.0004	2	1	Decal, Caution-Hot Liquid
5	32595.0000	2	1	Handle, Funnel-Black
6	12499.0002	2	1	Screw, Round Head BLK .25" - 20 x 1.50"
7A	33089.0000	2	1	Filter Basket w/Splash Guard
7B	33089.0001	2	1	Filter Basket w/Clips & Splash Guard
8	32139.0000	2	1	Insert, Funnel Tip - Male (Refer to item 10)
9	32140.0000	2	1	Insert, Funnel Tip - Female (Refer to item 10)
10	01031.0001	-	-	Funnel Tip Kit (Includes items 8 & 9)
11	03021.0005	2	1	Funnel Assembly, Quick Brew Tea - Smoke (Includes items 12 thru 17)
12	03284.0000	2	1	Adapter W/Screen, Funnel (See item 18)
13	32965.0003	2	1	Splashguard
14		2	1	Funnel, Quick Brew Tea - Smoke (Not Available. Order item 11)
15	03408.0000	2	1	Decal, Caution - REMOVE FUNNEL
16	03409.0000	2	1	Decal, Caution - HOT LIQUID
17	03407.0002	2	1	Funnel Tip, .114" Dia. Quick Brew (See item 18)
18	03536.0000	2	1	Decal, QUICK BREW
19	01037.0003	-	-	Funnel Tip & Screen Kit Quick Brew (Includes items 12 & 17)

NUMERICAL INDEX

PART NO.	PAGE NO.	PART NO.	PAGE NO.	PART NO.	PAGE NO.	PART NO.	PAGE NO.
00486.0003	9	11517.0008	15	32572.1000	17	37776.0005	9
00619.0005	7	11630.0001	11	32591.1001	15	37782.0004	9
00619.0007	7	11707.1000	11	32591.1002	15	37804.0000	17
00656.0001	5	11707.1001	11	32591.1003	15	37827.1001	17
00658.0000	5	11707.1002	11	32591.1004	15	37827.1101	17
00669.0002	7	12422.0000	11	32595.0000	21	37870.1006	5
00824.0001	19	12422.0001	11,13	32643.0000	21	37874.0000	17
00824.0002	17	12422.0005	11,13	32643.0010	21	37875.0000	17
00908.0000	9	12422.0009	13	32648.0000	13	37877.0000	17
00942.0000	9	12499.0002	21	32965.0003	21	37881.0000	5
00943.0000	9,13	12565.0034	19	33089.0000	21	37920.0109	5
00970.0000	7,13,17,19	13054.0000	15	33089.0001	21	37967.0000	5
00973.0000	17	20203.0100	9	33801.0003	9	38040.0007	19
00986.0000	5	20526.2500	11	34056.0001	17	38040.0010	19
01031.0001	21	20526.2750	11	34072.0000	5	38114.0000	9
01037.0003	21	20541.0001	19	34707.0006	19	38344.1101	17
01075.0000	13	20630.0005	19	34808.0005	19	38894.0001	17
01106.0003	17	20976.1000	11,15	38125.0000	5	38969.0001	9,13
01308.0002	5,17	20976.1001	11,15	34307.1001	17	39085.1001	9
01308.0003	5	20976.1002	11,15	34307.1002	17	39175.0000	5
01311.0001	5	20976.1004	15	34867.0005	13	39450.1001	5
01317.0000	17	22918.0002	9	34868.0000	13	39453.1007	5
01317.0003	5	23522.1001	17	34956.0003	13	39455.1005	5
01382.0007	19	23696.0000	17	34956.0004	13	39541.1003	5
01501.0000	9	24462.0002	21	35070.0001	13	39594.0003	5
01511.0000	9	25102.0000	17	35308.1005	13	39594.0005	5
01520.0000	19	25102.0001	17	35937.0002	9	39596.0001	5
01522.0000	9	25137.0001	5	35956.0000	17	39599.0000	5
01533.0011	17	25151.0002	5	36355.1009	5	39615.0001	5
01544.0000	15	25151.0003	5	36355.1021	5	39615.0003	5
01590.0000	17	26846.0000	13	36359.1001	17	39615.0004	5
01592.0001	7,11	26846.0001	13	36359.1101	17	40081.0002	19
01685.0000	17	26846.0002	13	36360.1001	11	40763.0001	17
02308.0000	5,7,17,19	27370.0003	13	36364.0000	17	40783.0000	11
02328.0002	19	27370.0005	13	36366.0000	17	41193.1000	15
02332.0005	11	27705.0000	19	36367.0000	17	41193.1001	15
02370.0002	19	28004.0000	17	36368.0000	17	41193.1002	15
02594.0000	15	28098.0000	17	36587.0000	17	41193.1004	15
02595.0000	13	28614.0000	11	36604.0000	9	41665.0000	11
02755.1002	9	29007.0000	7	36605.0000	9	41665.0001	11
02766.0000	13	29075.0000	13	36606.0001	9	41666.0005	11
02854.0000	13	29081.0004	19	36608.0001	5	41761.0008	11
02858.0000	15	29264.0000	15	36639.0013	5	42025.0000	11
02861.0003	13	29329.1000	9	36674.0002	19	42234.0000	19
03021.0005	21	29446.0003	19	36674.0003	19	43041.0000	11
03284.0000	21	29485.1001	9	36674.0007	19	43820.0000	7
03407.0002	21	29485.1006	9	36675.0000	19	43820.0001	7
03408.0000	21	29485.1007	9	36675.0001	19	43828.0000	5
03408.0004	21	29669.1000	9	36677.0012	19	43828.0002	5
03409.0000	21	29710.0011	5	36677.0014	19	43828.0003	5
03409.0004	21	32139.0000	21	36677.0023	19	44022.0000	19
03536.0000	21	32140.0000	21	37297.1001	11	44029.0000	19
07038.0000	17	32283.0000	11	37298.1003	9	44032.0000	19
07412.1002	9	32530.0001	19	37755.1002	9	44145.0000	5

NUMERICAL INDEX

PART NO.	PAGE NO.	PART NO.	PAGE NO.	PART NO.	PAGE NO.	PART NO.	PAGE NO.
44145.0001.....	5						
44150.0000.....	19						
44168.0000.....	11						
44250.0000.....	19						
45787.1034.....	17						
45787.1043.....	17						
45787.1060.....	17						
46884.0000.....	11						
46884.0000.....	11						
47384.0001.....	7						
47562.0001.....	7						
48443.0024.....	17						
48443.0033.....	17						
48444.0010.....	17						
48444.0013.....	17						
M2522.100	19						