



LCA-1



ILLUSTRATED PARTS CATALOG

Designs, materials, weights, specifications, and dimensions for equipment or replacement parts are subject to change without notice.

BUNN-O-MATIC CORPORATION

POST OFFICE BOX 3227

SPRINGFIELD, ILLINOIS 62708-3227

PHONE: (217) 529-6601 FAX: (217) 529-6644



BUNN-O-MATIC COMMERCIAL PRODUCT WARRANTY

Bunn-O-Matic Corp. ("BUNN") warrants equipment manufactured by it as follows:

- 1) Airpots, thermal carafes, decanters, GPR servers, iced tea/coffee dispensers, MCR/MCP/MCA single cup brewers, thermal servers and ThermoFresh® servers (mechanical and digital) 1 year parts and 1 year labor.
- 2) All other equipment - 2 years parts and 1 year labor plus added warranties as specified below:
 - a) Electronic circuit and/or control boards - parts and labor for 3 years.
 - b) Compressors on refrigeration equipment - 5 years parts and 1 year labor.
 - c) Grinding burrs on coffee grinding equipment to grind coffee to meet original factory screen sieve analysis - parts and labor for 4 years or 40,000 pounds of coffee, whichever comes first.

These warranty periods run from the date of installation BUNN warrants that the equipment manufactured by it will be commercially free of defects in material and workmanship existing at the time of manufacture and appearing within the applicable warranty period. This warranty does not apply to any equipment, component or part that was not manufactured by BUNN or that, in BUNN's judgment, has been affected by misuse, neglect, alteration, improper installation or operation, improper maintenance or repair, non periodic cleaning and descaling, equipment failures related to poor water quality, damage or casualty. In addition, the warranty does not apply to replacement of items subject to normal use including but not limited to user replaceable parts such as seals and gaskets. This warranty is conditioned on the Buyer 1) giving BUNN prompt notice of any claim to be made under this warranty by telephone at (217) 529-6601 or by writing to Post Office Box 3227, Springfield, Illinois 62708-3227; 2) if requested by BUNN, shipping the defective equipment prepaid to an authorized BUNN service location; and 3) receiving prior authorization from BUNN that the defective equipment is under warranty.

THE FOREGOING WARRANTY IS EXCLUSIVE AND IS IN LIEU OF ANY OTHER WARRANTY, WRITTEN OR ORAL, EXPRESS OR IMPLIED, INCLUDING, BUT NOT LIMITED TO, ANY IMPLIED WARRANTY OF EITHER MERCHANTABILITY OR FITNESS FOR A PARTICULAR PURPOSE. The agents, dealers or employees of BUNN are not authorized to make modifications to this warranty or to make additional warranties that are binding on BUNN. Accordingly, statements by such individuals, whether oral or written, do not constitute warranties and should not be relied upon.

If BUNN determines in its sole discretion that the equipment does not conform to the warranty, BUNN, at its exclusive option while the equipment is under warranty, shall either 1) provide at no charge replacement parts and/or labor (during the applicable parts and labor warranty periods specified above) to repair the defective components, provided that this repair is done by a BUNN Authorized Service Representative; or 2) shall replace the equipment or refund the purchase price for the equipment.

THE BUYER'S REMEDY AGAINST BUNN FOR THE BREACH OF ANY OBLIGATION ARISING OUT OF THE SALE OF THIS EQUIPMENT, WHETHER DERIVED FROM WARRANTY OR OTHERWISE, SHALL BE LIMITED, AT BUNN'S SOLE OPTION AS SPECIFIED HEREIN, TO REPAIR, REPLACEMENT OR REFUND.

In no event shall BUNN be liable for any other damage or loss, including, but not limited to, lost profits, lost sales, loss of use of equipment, claims of Buyer's customers, cost of capital, cost of down time, cost of substitute equipment, facilities or services, or any other special, incidental or consequential damages.

392, A Partner You Can Count On, Air Infusion, AutoPOD, AXIOM, BrewLOGIC, BrewMETER, Brew Better Not Bitter, BrewWISE, BrewWIZARD, BUNN Espresso, BUNN Family Gourmet, BUNN Gourmet, BUNN Pour-O-Matic, BUNN, BUNN with the stylized red line, BUNNlink, Bunn-O-Matic, Bunn-O-Matic, BUNNserve, BUNNSERVE with the stylized wrench design, Cool Froth, DBC, Dr. Brew stylized Dr. design, Dual, Easy Pour, EasyClear, EasyGard, FlavorGard, Gourmet Ice, Gourmet Juice, High Intensity, iMIX, Infusion Series, Intellisteam, My Café, Phase Brew, PowerLogic, Quality Beverage Equipment Worldwide, Respect Earth, Respect Earth with the stylized leaf and coffee cherry design, Safety-Fresh, savemycoffee.com, Scale-Pro, Silver Series, Single, Smart Funnel, Smart Hopper, SmartWAVE, Soft Heat, SplashGard, The Mark of Quality in Beverage Equipment Worldwide, ThermoFresh, Titan, trifacta, TRIFECTA (stylized logo), Velocity Brew, Air Brew, Beverage Bar Creator, Beverage Profit Calculator, Brew better, not bitter., Build-A-Drink, BUNNSource, Coffee At Its Best, Cyclonic Heating System, Daypart, Digital Brewer Control, Element, Milk Texturing Fusion, Nothing Brews Like a BUNN, Picture Prompted Cleaning, Pouring Profits, Signature Series, Sure Tamp, Tea At Its Best, The Horizontal Red Line, Ultra are either trademarks or registered trademarks of Bunn-O-Matic Corporation. The commercial trifacta® brewer housing configuration is a trademark of Bunn-O-Matic Corporation.

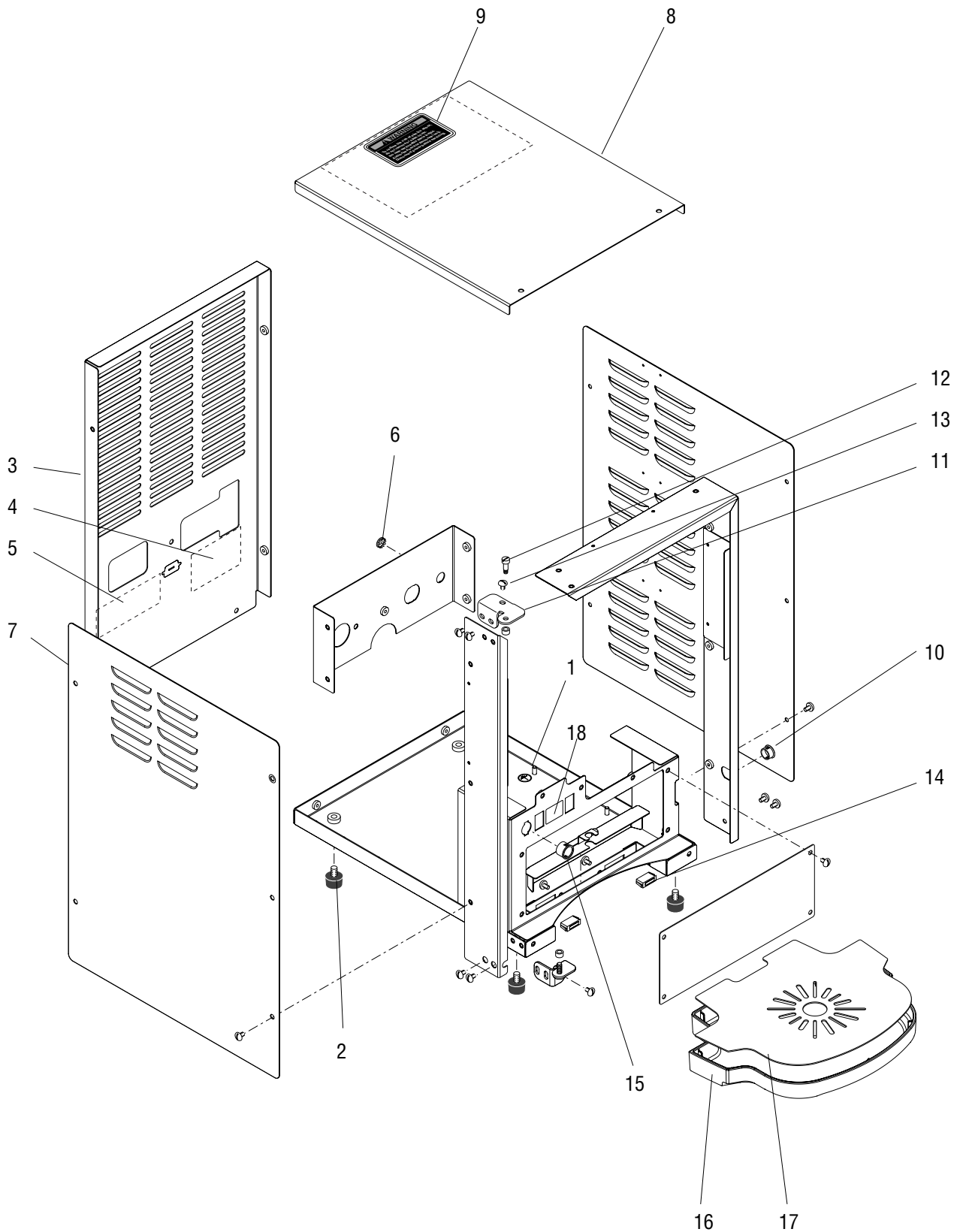
TABLE OF CONTENTS

Cabinet Assembly	8
Dispense Valve and Lines.....	14
Door Assembly	6
Electrical Components	18
Housing, Panels & Drip Tray	4
Inlet Valve & Tank Drain.....	12
Numerical Index.....	20
Pump Assembly.....	10
Tank Assembly.....	18



HOUSING, PANELS AND DRIP TRAY

LCA-1



P4258.55

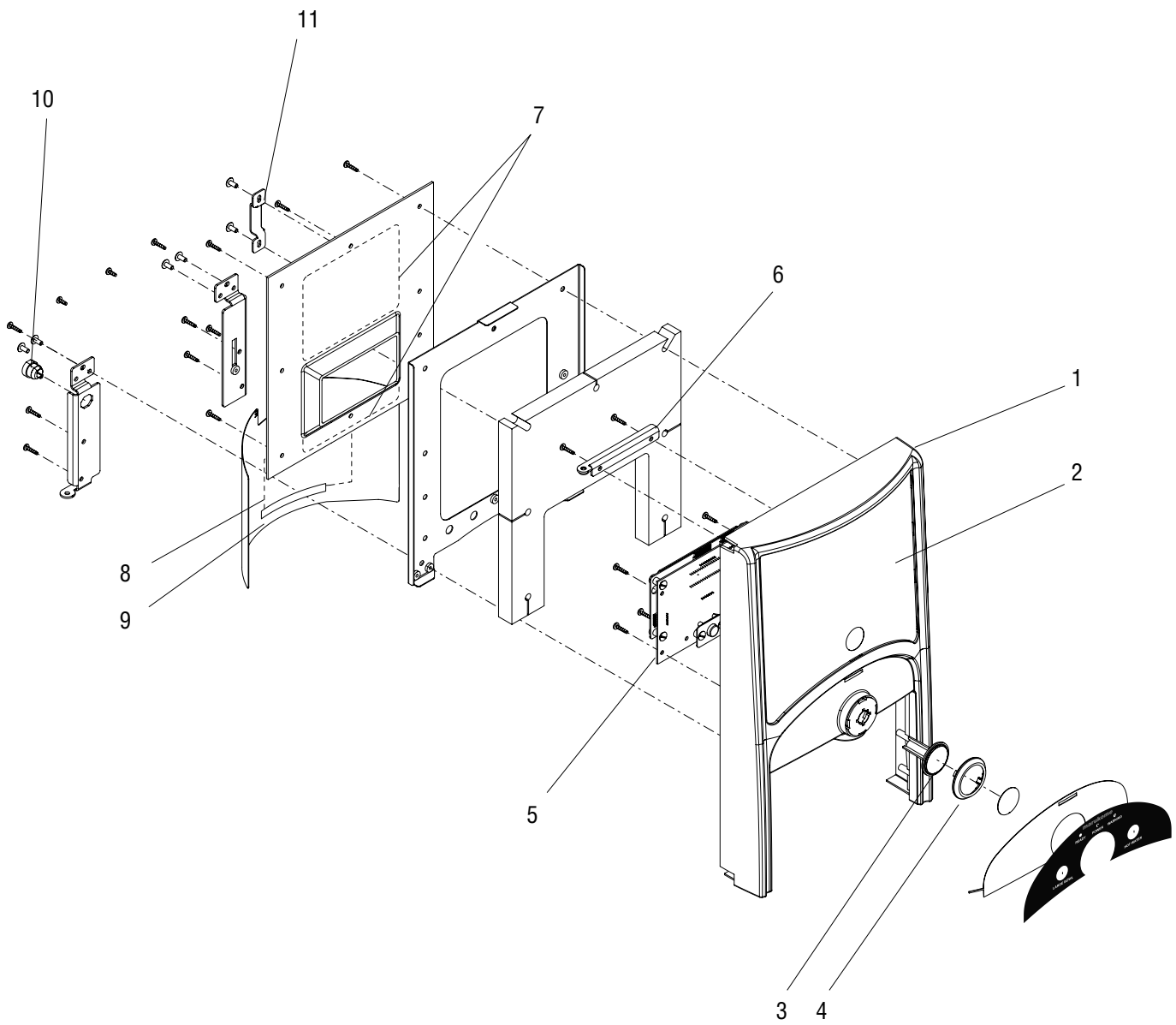
HOUSING, PANELS AND DRIP TRAY

ITEM	PART NO.	QTY.	DESCRIPTION
1	00824.0002	1	Decal, Ground Screw
2	25137.0001	4	Foot
3	43569.1003	1	Panel w/Decals, Rear (Includes items 5 & 6)
	01311.0003	4	Screw, Truss Head BLK #8-32 x .25"
4	00986.0002	1	Decal, Warning - Electrical
5	00656.0001	1	Decal, Comply to Plumbing Code
6	00619.0010	1	Plug
7	44089.0001	1	Panel, Left Side
	01311.0003	5	Screw, Truss Head BLK #8-32 x .25"
8	44717.1000	1	Top Cover w/Decals (Includes items 11 & 12)
	01311.0003	2	Screw, Truss Head BLK #8-32 x .25"
9	37881.0000	1	Decal, No Serviceable Parts
10	00669.0004	1	Plug
11	37578.0001	1	Bracket, Upper Hinge
	01311.0000	3	Screw, Truss Head #8-32 x .25"
12	29504.0004	1	Shoulder Screw
13	37825.0000	2	Spacer
14	21436.0000	2	Catch, Magnetic
15	00614.0001	1	Bushing
16	43578.1000	1	Drip Tray
17	43375.0000	1	Cover, Drip Tray
18	-----	1	Decal (See 44710.0000 on DOOR ASSY)



DOOR ASSEMBLY

LCA-1



P4259.50

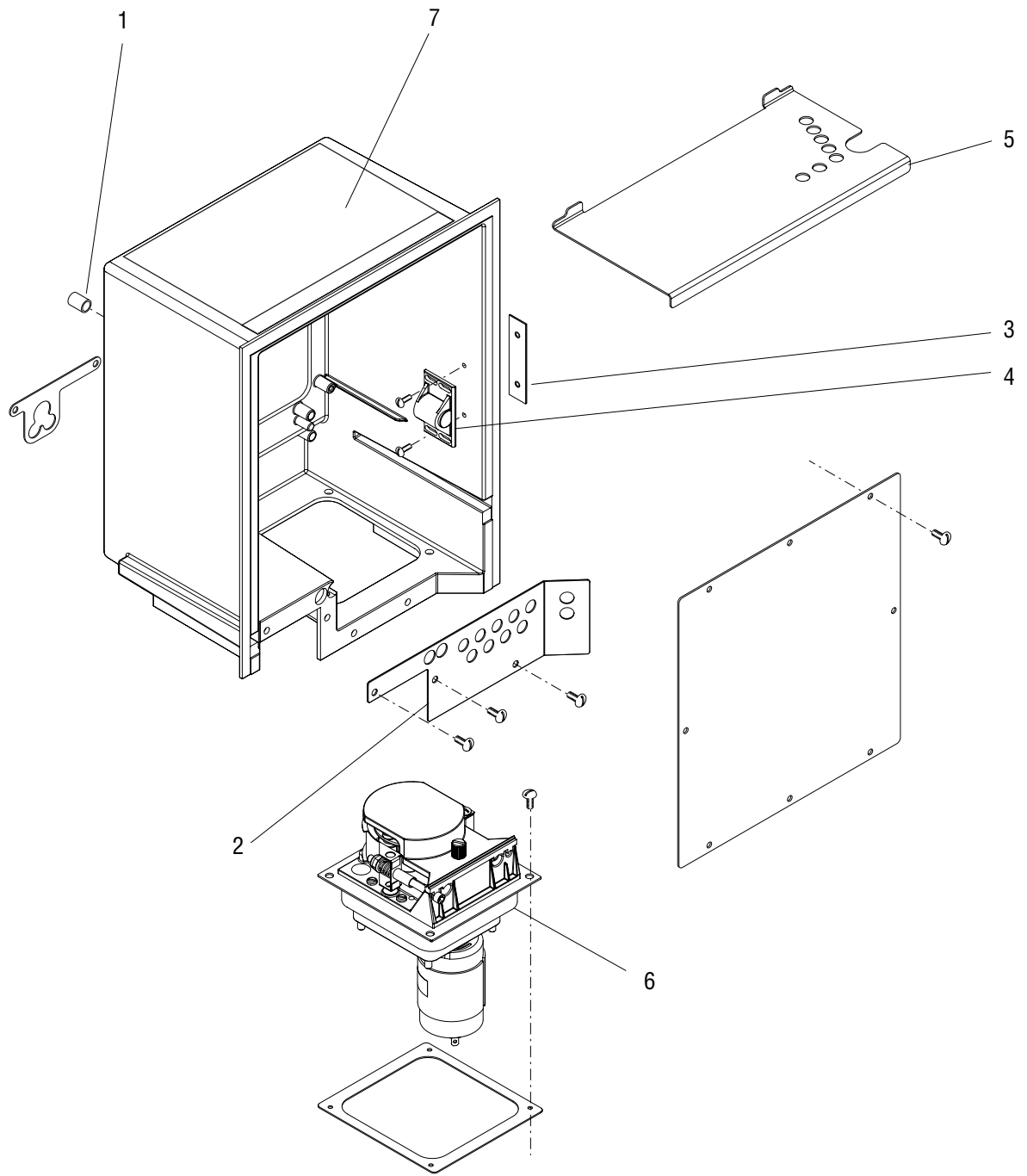
DOOR ASSEMBLY

ITEM	PART NO.	QTY.	DESCRIPTION
-	43334.1001	1	Door Assembly (Includes items 1-12)
1	43333.1001	1	Door
2	43654.0000	1	Decal, Door Graphic (Bunn)
3	43360.0000	1	Fill Button
4	43359.0000	1	Retainer, Button
5	44112.1000	1	Touch Screen Assy
	44646.0001	6	Screw, Pan Head #6-25 x .625"
6	38072.0000	1	Hinge, Top
	44646.0001	2	Screw, Pan Head #6-25 x .625"
7	44709.0000	1	Decal, Cleaning
8	44710.0000	1	Decal, Tube Replacement
9	11646.0002	1	Decal, Warning - Hot Liquid
10	00713.0000	1	Bushing, Strain Relief
11	34667.0000	1	Keeper, Door Latch (Early Models)
	49626.1001	1	Latch Kit (Late Models)
	01315.0000	2	Screw, Truss Head #8-32 x .38"
12	44231.0000	1	Wiring Harness, Door (Not Illustrated)



CABINET ASSEMBLY

LCA-1



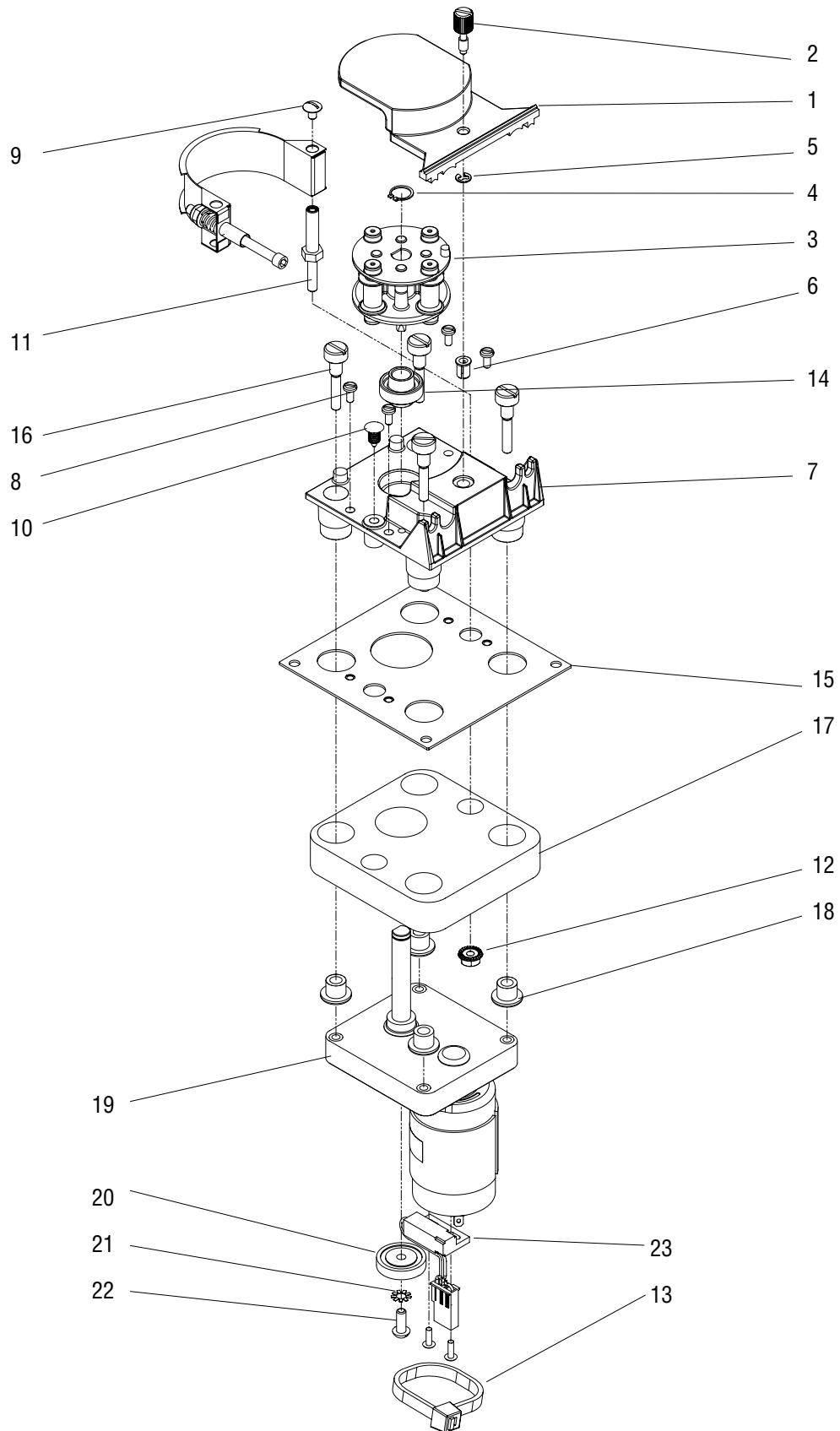
CABINET ASSEMBLY

ITEM	PART NO.	QTY.	DESCRIPTION
1	12919.0006	1	Plug
2	43572.0001	1	Bracket
	01315.0000	3	Screw, Truss Head #8-32 x .38"
3	34533.0000	1	Plate
4	34666.0000	1	Catch, Door Latch (Early Models)
	49626.1001	1	Latch Kit (Late Models)
	48817.0000	2	Screw, Pan Head #4-40 x .50"
5	43351.0000	1	Bracket, Cabinet Shelf
6	-----	1	Pump Assy (See PUMP ASSEMBLY)
	01317.0000	4	Screw, Truss Head #8-32 x .50"
7	44869.0001	1	Schematic, Electrical
8	44100.0203	-	Tube Assembly (Not Illustrated)



PUMP ASSEMBLY

LCA-1



P4261

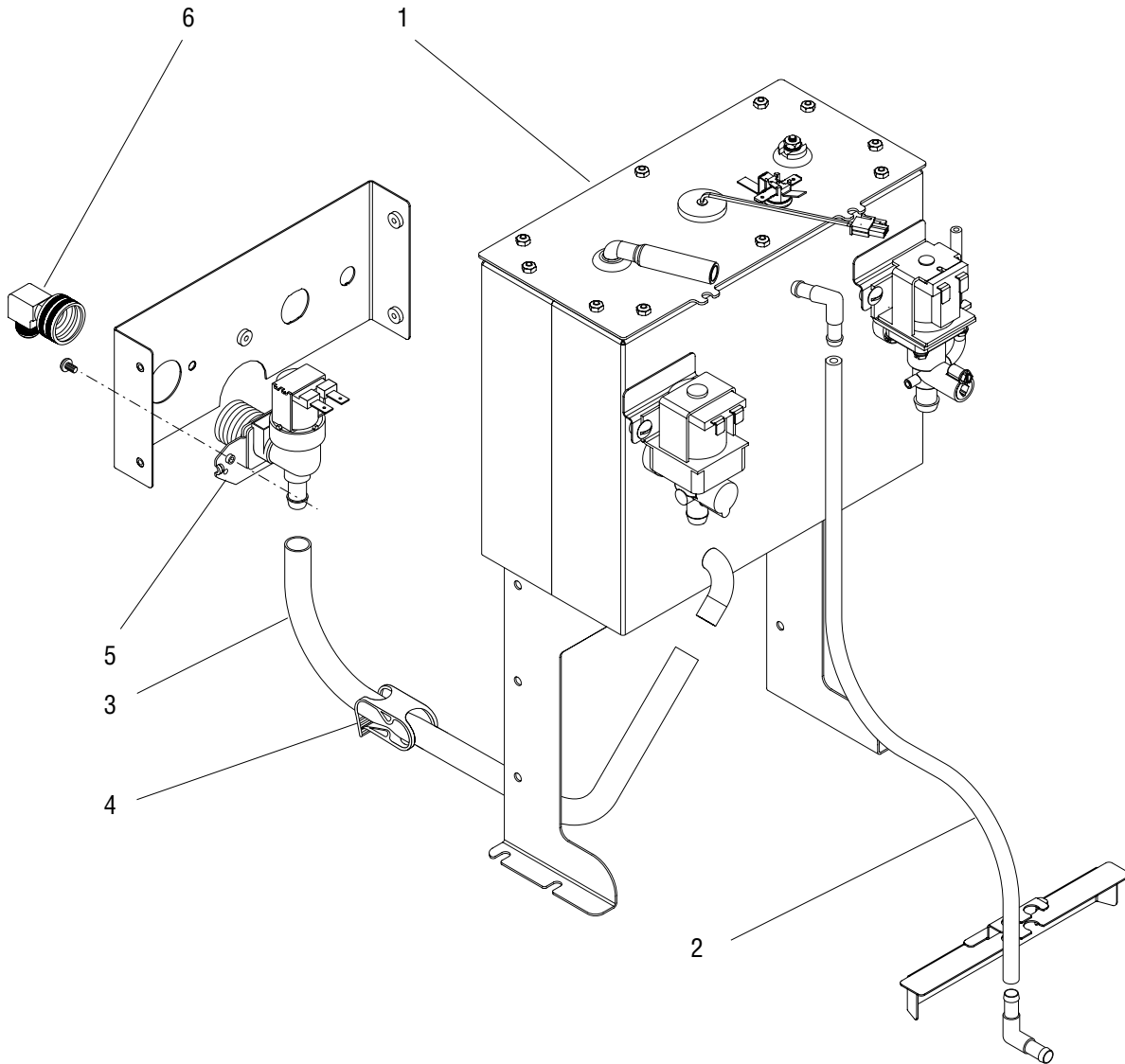
PUMP ASSEMBLY

ITEM	PART NO.	QTY.	DESCRIPTION
-	40261.1003	1	Pump Assy (Includes items 1 thru 23)
1	34167.0000	1	Cover, Pump Block
2	34997.0000	1	Thumb Screw
3	32706.1000	1	Rotor
4	32652.0000	1	Retaining Ring
5	34998.0000	1	Retaining Ring
6	32928.0000	1	Insert, Threaded
7	34166.1003	1	Block Assy, Pump (Includes items 6 & 14)
8	02328.0003	4	Screw, Pan Head #6-32 x .312"
9	01311.0001	1	Screw, Truss Head #8-32 x .25" Locking
10	36149.0000	1	Fastener
11	32609.0000	1	Standoff
12	34765.0000	1	Nut, Flanged #10-32
13	00617.0000	1	Cable Tie
14	33825.0000	1	Bearing
15	40263.0002	1	Bracket, Pump Mounting
16	32927.0000	4	Screw, Shoulder #10-32 UNC
17	40536.0000	1	Insulation, Pump
18	32957.0000	4	Bushing
19	34536.1001	1	Motor
20	32654.0000	1	Magnet Hub
21	01512.0000	1	Lockwasher, External-tooth #10
22	01331.0004	1	Screw, Round Head, Locking #10-32
23	33608.1000	1	Sensor, RPM
	02336.0000	2	Screw, Truss Head #4-40 x .38"



INLET VALVE & TANK DRAIN

LCA-1



P4262.80

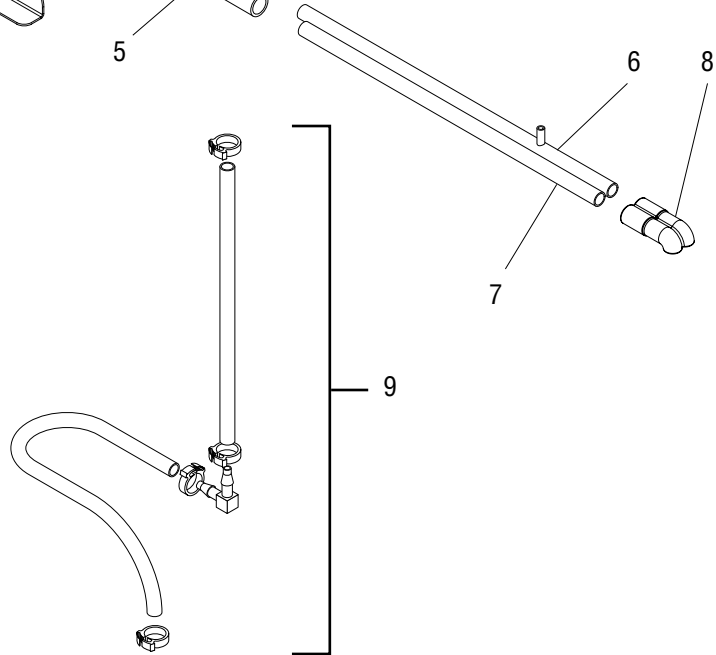
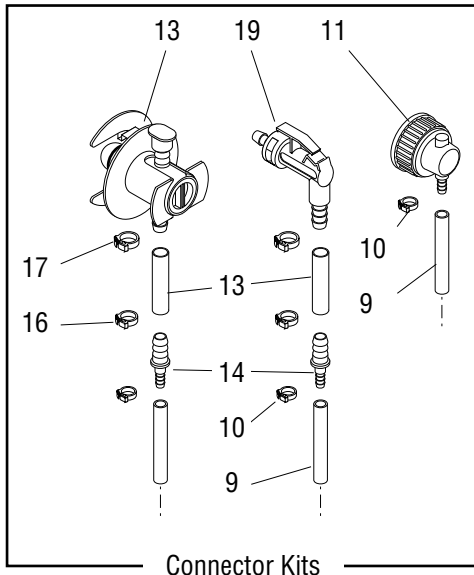
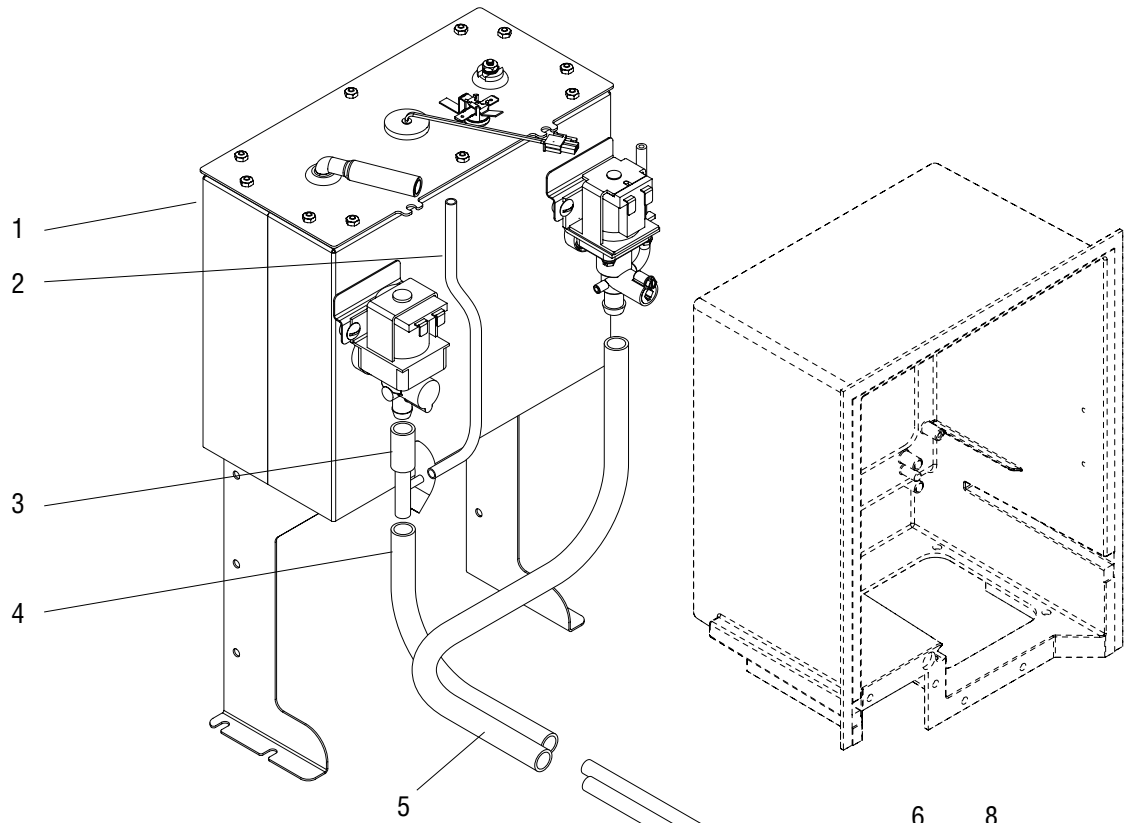
INLET VALVE & TANK DRAIN

ITEM	PART NO.	QTY.	DESCRIPTION
1	----- 00970.0000	- 4	Tank Assy (See TANK ASSEMBLY) Nut, Keps #8-32
2		1 1	Tube, Silicone .188" ID x 23.5" (Order item 8)(Early Models) Tube, Silicone .312" ID x 19.25" (Order item 9)(Late Models)
	37850.0000	2	Elbow (Late Models)
3		1	Tube, Silicone .38" ID x 15.0" (Order item 7)
4	11630.0001	1	Clamp, Shut off
5	36233.1040 32283.0000	1 2	Valve, Water Inlet Screw, Pan Head M4 x 6mm
6	37297.0001	1	Fitting, Elbow .25" Flare x .75" Hose
7	20976.1001 20976.1002	- -	Tube, Silicone .38" ID x 36.0" (Use as required) Tube, Silicone .38" ID x 120.0" (Use as required)
8	42916.1001 42916.1002	- -	Tube, Silicone .188" ID x 36.0" (Use as required) Tube, Silicone .188" ID x 120.0" (Use as required)
9	03236.1000 03236.1001 03236.1002 03236.1003	- - - -	Tube, Silicone .312" ID x 12.0" (Use as required) Tube, Silicone .312" ID x 36.0" (Use as required) Tube, Silicone .312" ID x 120.0" (Use as required) Tube, Silicone .312" ID x 60.0" (Use as required)



DISPENSE VALVE & LINES

LCA-1



DISPENSE VALVE & LINES

ITEM	PART NO.	QTY.	DESCRIPTION
1	-----	-	Tank Assy (See TANK ASSEMBLY)
2		1	Tube, Silicone .125" ID x 8.5" (Order item 23)
3		1	Tube, Silicone .313" ID x 1.5" (Order item 24)
4		1	Tube, Silicone .313" ID x 6.0" (Order item 24)
5		1	Tube, Silicone .313" ID x 12.25" (Order item 24)
6	44012.0001	1	Tube, Coffee
7	44013.0001	1	Tube, Water
8	43362.0001	1	Nozzle, Dispense
9	44713.1000	1	Hose Assy .125" ID (Also order item 25)
10	12422.0007	1	Clamp .31/.34" ID
11	35057.0000	1	Connector, Scholle 1910
12	35055.1000	1	Adapter Kit QCD11 (Includes items 13 - 17)
13	33160.0000	1	Connector, QCD11
14		1	Hose, Silicone .25" I.D. x 1.75" (Order item 26)
15	35053.0000	1	Coupling, Reducing
16	12422.0000	1	Clamp .47/.54" I.D.
17	12422.0006	1	Clamp .53/.59" I.D.
18	35056.1000	1	Adapter Kit Scholle QC (Includes items 15 - 17 & 19)
19	35054.0000	1	Connector, Scholle QC

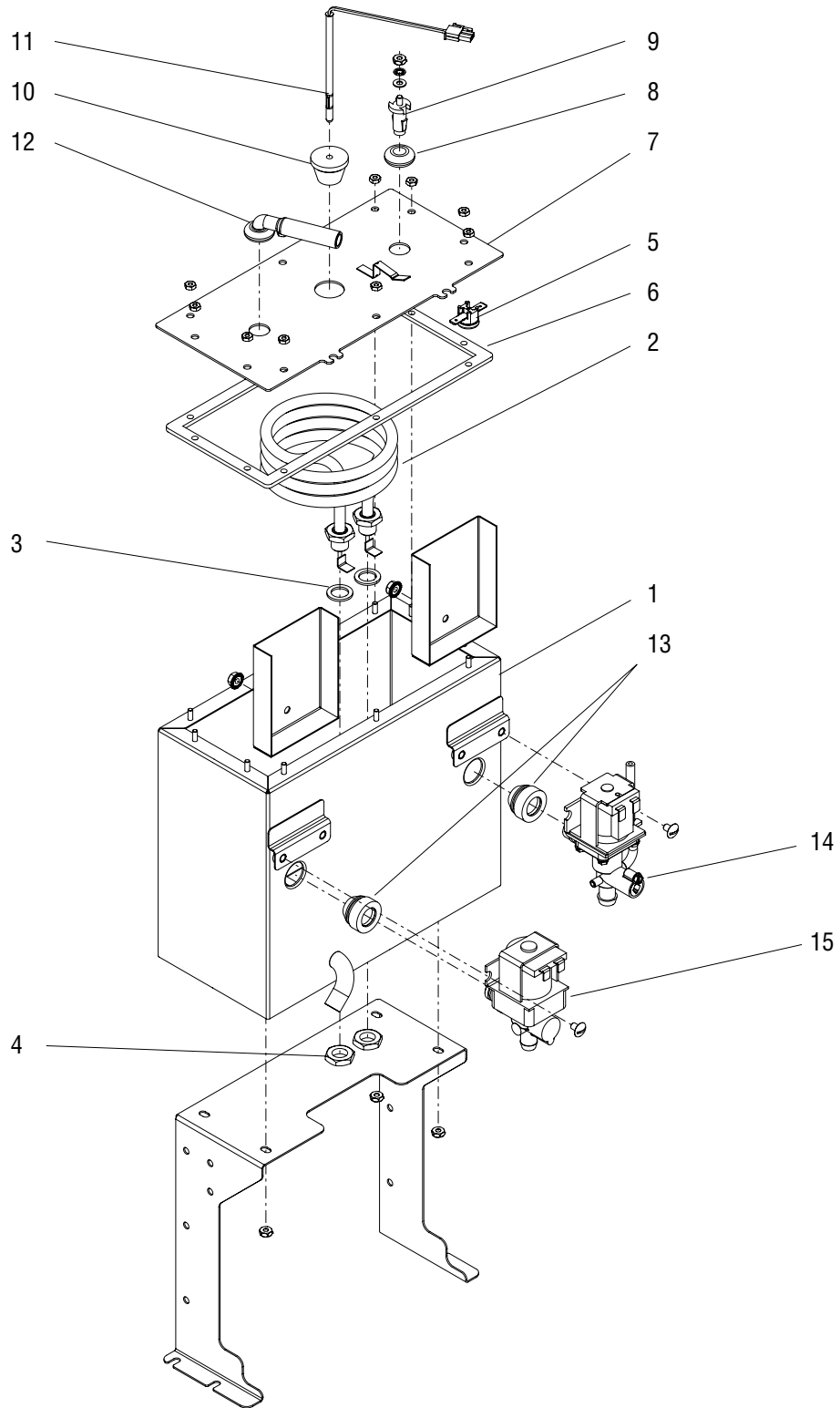
Items 20 through 26 are Not Illustrated

20	44100.0200	-	Adapter Kit, Scholle 1910 (Incl. items 9,11 & 25)
21	44100.0201	-	Adapter Kit, QCD11 (Incl. items 9,13 & 25)
22	44100.0202	-	Adapter Kit, Scholle QC (Incl. items 9, 19 & 25)
23	36630.1001	-	Tube, Silicone .125" ID x 36.0" (Use as required)
24	28526.1000	-	Tube, Silicone .313" ID x 12.0" (Use as required)
	28526.1001	-	Tube, Silicone .313" ID x 36.0" (Use as required)
	28526.1002	-	Tube, Silicone .313" ID x 60.0" (Use as required)
25	M2531.0001	-	Lube Compound .30 oz.
26	11707.1000	-	Tube, Silicone .25" ID x 12.0" (Use as required)
	11707.1001	-	Tube, Silicone .25" ID x 36.0" (Use as required)
	11707.1002	-	Tube, Silicone .25" ID x 120.0" (Use as required)



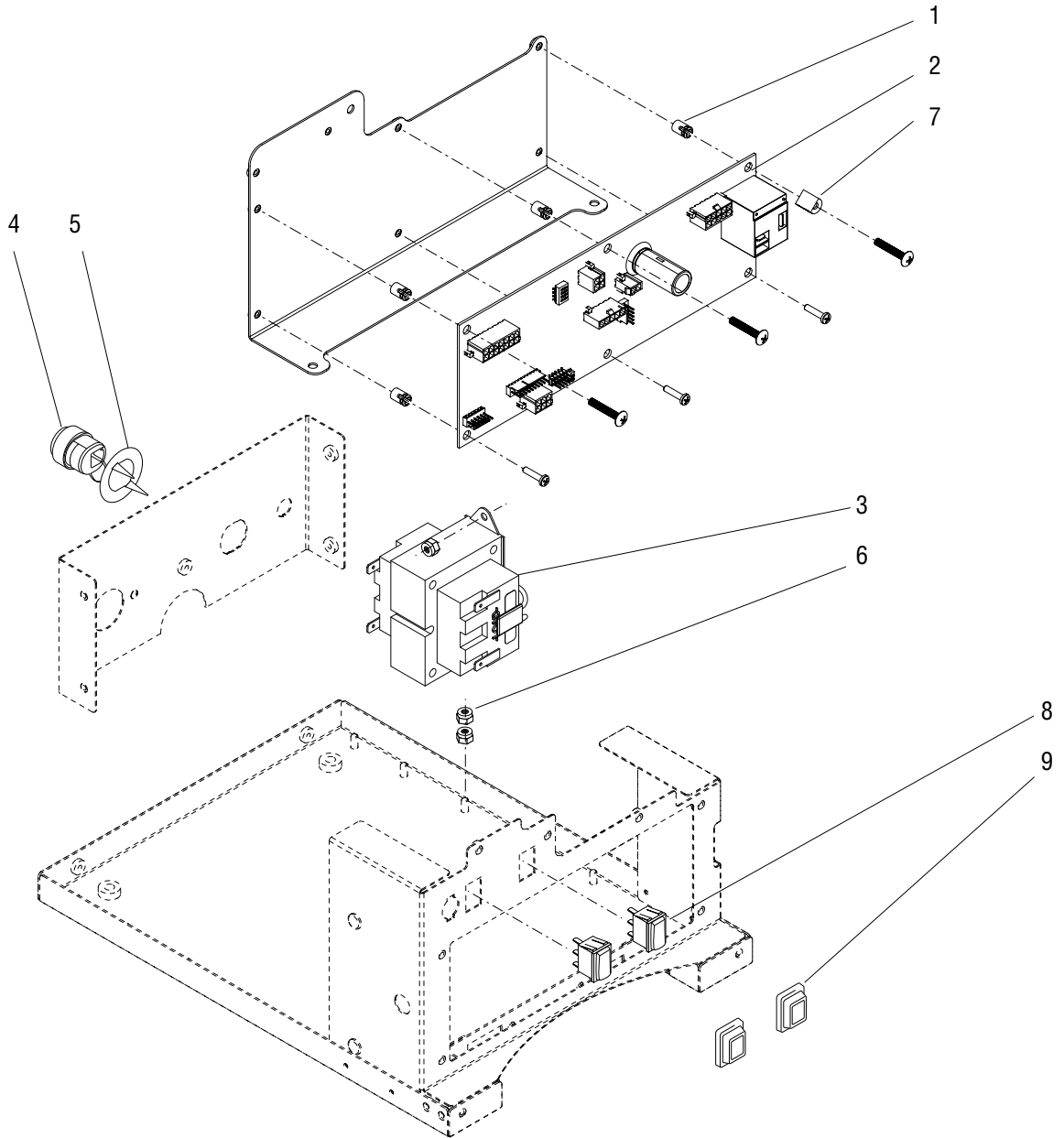
TANK ASSEMBLY

LCA-1



TANK ASSEMBLY

ITEM	PART NO.	QTY.	DESCRIPTION
1	43357.0001	1	Tank
	00908.0000	5	Nut, Hex #8-32
2	02838.1000	1	Tank Heater 1300W, 120V (Includes item 3)
3	00943.0000	2	Gasket
4	00942.0000	2	Nut, Hex .50"-20
5	29329.1000	1	Limit Thermostat
6	43354.0000	1	Gasket, Tank Lid
7	43361.0001	1	Tank Lid
	00906.0000	10	Nut, Hex #6-32
	01510.0000	1	Lockwasher, External tooth #6
8	02536.0000	1	Grommet
9	07412.1002	1	Probe Kit, Liquid Level (Includes hardware below)
	00908.0000	1	Nut, Hex #8-32
	20203.0100	1	Lockwasher, Internal tooth #8
	01501.0000	1	Washer
10	33801.0003	1	Grommet
11	28891.1004	1	Probe, Temperature
12	38969.0003	1	Fitting, Tank Vent
13	37970.0000	2	Grommet
	39285.1001	1	Valve, Vented
14	48977.0000	2	Screw, Hex Head w/washer #10-32 x .375"
	32345.1000	1	Valve, Unvented (Refer to item 16)
16	32345.0050	-	Repair Kit (Includes Armature and Diaphragm)



ELECTRICAL COMPONENTS

ITEM	PART NO.	QTY.	DESCRIPTION
1	29081.0002	6	Spacer
2	43474.1000	1	Circuit Board, Main
	38123.0000	3	Screw, Pan Head #6-32 x 1.0"
	02301.0000	3	Screw, Pan Head BLK #6-32 x .62"
3	39305.0000	1	Transformer
	00970.0000	2	Nut, Keps #8-32
4	00713.0000	1	Bushing, Strain Relief
5	00715.0000	1	Adapter Washer, Strain Relief
6	00991.0000	2	Nut, Grounding
7	36484.0000	1	Clamp
8	27437.0002	2	Switch
9	34390.0000	2	Cap, Rocker Switch

Items listed below are not illustrated

10	44234.0000	1	Wiring Harness, Main
11	20630.0008	1	Power Cord
12	44766.0001	1	Wiring Harness, Tank

NUMERICAL INDEX

PART NO.	PAGE NO.	PART NO.	PAGE NO.	PART NO.	PAGE NO.	PART NO.	PAGE NO.
00614.0001.....	5	29329.1000.....	17	43354.0000.....	17		
00617.0000.....	11	29504.0004.....	5	43357.0001.....	17		
00619.0010.....	5	32283.0000.....	13	43359.0000.....	7		
00656.0001.....	5	32345.0050.....	17	43360.0000.....	7		
00669.0004.....	5	32345.1000.....	17	43361.0001.....	17		
00713.0000.....	7,19	32609.0000.....	11	43362.0001.....	15		
00715.0000.....	19	32652.0000.....	11	43375.0000.....	5		
00824.0002.....	5	32654.0000.....	11	43474.1000.....	19		
00906.0000.....	17	32706.1000.....	11	43569.1003.....	5		
00908.0000.....	17	32927.0000.....	11	43572.0001.....	9		
00942.0000.....	17	32928.0000.....	11	43578.1000.....	5		
00943.0000.....	17	32957.0000.....	11	43654.0000.....	7		
00970.0000.....	13,19	33160.0000.....	15	44012.0001.....	15		
00986.0002.....	5	33608.1000.....	11	44013.0001.....	15		
00991.0000.....	19	33801.0003.....	17	44089.0001.....	5		
01311.0001.....	11	33825.0000.....	11	44100.0200.....	15		
01311.0003.....	5	34166.1003.....	11	44100.0201.....	15		
01315.0000.....	7,9	34167.0000.....	11	44100.0202.....	15		
01315.0005.....	5	34390.0000.....	19	44100.0203.....	9		
01317.0000.....	9	34533.0000.....	9	44112.1000.....	7		
01331.0004.....	11	34536.1001.....	11	44231.0000.....	7		
01501.0000.....	17	34666.0000.....	9	44234.0000.....	19		
01509.0001.....	9	34667.0000.....	7	44646.0001.....	7		
01510.0000.....	17	34765.0000.....	11	44709.0000.....	7		
01512.0000.....	11	34997.0000.....	11	44710.0000.....	7		
02301.0000.....	19	34998.0000.....	11	44713.1000.....	15		
02328.0003.....	11	35053.0000.....	15	44717.1000.....	5		
02336.0000.....	11	35054.0000.....	15	44766.0001.....	10		
02536.0000.....	17	35055.1000.....	15	44869.0001.....	9		
02838.1000.....	17	35056.1000.....	15	48817.0000.....	9		
03236.1000.....	13	35057.0000.....	15	48977.0000.....	17		
03236.1001.....	13	36149.0000.....	11	49626.1001.....	7,9		
03236.1002.....	13	36233.1040.....	13	M2531.000.....	15		
03236.1003.....	13	36484.0000.....	19				
07412.1002.....	17	36630.0006.....	15				
11630.0001.....	13	36630.1001.....	15				
11646.0002.....	7	37297.0001.....	13				
11707.1000.....	15	37578.0001.....	5				
11707.1001.....	15	37825.0000.....	5				
11707.1002.....	15	37850.0000.....	13				
12422.0000.....	15	37881.0000.....	5				
12422.0006.....	15	37970.0000.....	17				
12422.0007.....	15	38044.0000.....	9				
12919.0006.....	9	38072.0000.....	7				
20203.0100.....	17	38123.0000.....	19				
20630.0008.....	19	38969.0003.....	17				
20976.1001.....	13	39285.1001.....	17				
20976.1002.....	13	39305.0000.....	19				
21436.0000.....	5	40261.1003.....	11				
25137.0001.....	5	40263.0002.....	11				
27437.0002.....	19	40536.0000.....	11				
28526.1000.....	15	42916.1001.....	13				
28526.1001.....	15	42916.1002.....	13				
28526.1002.....	15	43333.1001.....	7				
28891.1004.....	17	43334.1001.....	7				
29081.0002.....	19	43351.0000.....	9				