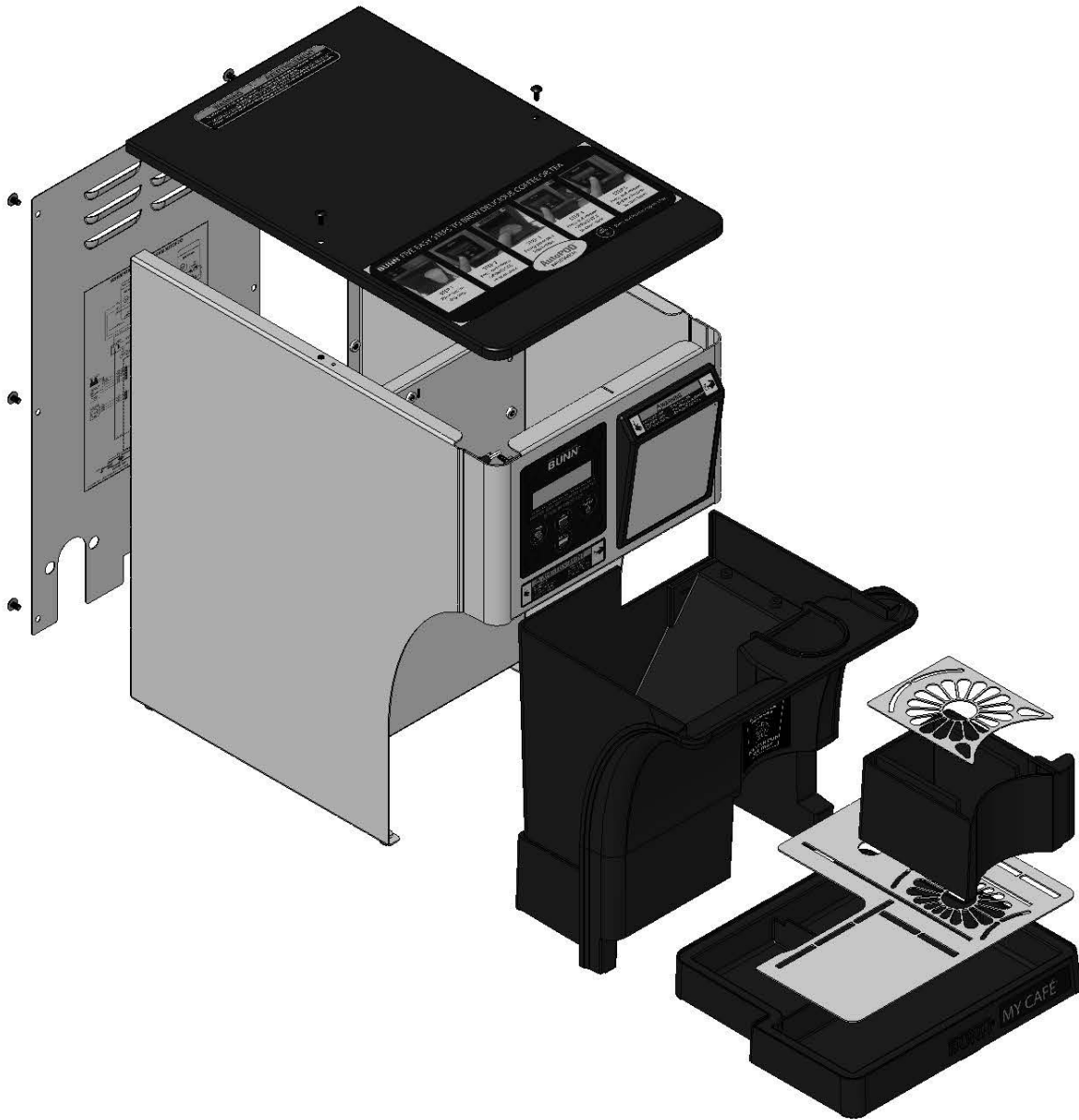


BUNN®

My Café® AP



ILLUSTRATED PARTS CATALOG

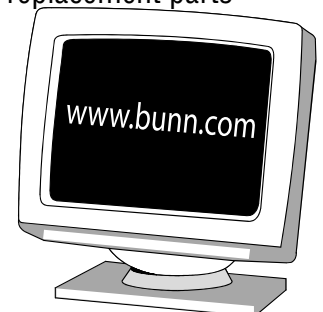
Designs, materials, weights, specifications, and dimensions for equipment or replacement parts are subject to change without notice.

BUNN-O-MATIC CORPORATION

POST OFFICE BOX 3227

SPRINGFIELD, ILLINOIS 62708-3227

PHONE: (217) 529-6601 FAX: (217) 529-6644



BUNN-O-MATIC COMMERCIAL PRODUCT WARRANTY

Bunn-O-Matic Corp. ("BUNN") warrants equipment manufactured by it as follows:

- 1) Airpots, thermal carafes, decanters, GPR servers, iced tea/coffee dispensers, MCP/MCA pod brewers thermal servers and Thermofresh servers (mechanical and digital)- 1 year parts and 1 year labor.
- 2) All other equipment - 2 years parts and 1 year labor plus added warranties as specified below:
 - a) Electronic circuit and/or control boards - parts and labor for 3 years.
 - b) Compressors on refrigeration equipment - 5 years parts and 1 year labor.
 - c) Grinding burrs on coffee grinding equipment to grind coffee to meet original factory screen sieve analysis - parts and labor for 4 years or 40,000 pounds of coffee, whichever comes first.

These warranty periods run from the date of installation BUNN warrants that the equipment manufactured by it will be commercially free of defects in material and workmanship existing at the time of manufacture and appearing within the applicable warranty period. This warranty does not apply to any equipment, component or part that was not manufactured by BUNN or that, in BUNN's judgment, has been affected by misuse, neglect, alteration, improper installation or operation, improper maintenance or repair, non periodic cleaning and descaling, equipment failures related to poor water quality, damage or casualty. In addition, the warranty does not apply to replacement of items subject to normal use including but not limited to user replaceable parts such as seals and gaskets. This warranty is conditioned on the Buyer 1) giving BUNN prompt notice of any claim to be made under this warranty by telephone at (217) 529-6601 or by writing to Post Office Box 3227, Springfield, Illinois 62708-3227; 2) if requested by BUNN, shipping the defective equipment prepaid to an authorized BUNN service location; and 3) receiving prior authorization from BUNN that the defective equipment is under warranty.

THE FOREGOING WARRANTY IS EXCLUSIVE AND IS IN LIEU OF ANY OTHER WARRANTY, WRITTEN OR ORAL, EXPRESS OR IMPLIED, INCLUDING, BUT NOT LIMITED TO, ANY IMPLIED WARRANTY OF EITHER MERCHANTABILITY OR FITNESS FOR A PARTICULAR PURPOSE. The agents, dealers or employees of BUNN are not authorized to make modifications to this warranty or to make additional warranties that are binding on BUNN. Accordingly, statements by such individuals, whether oral or written, do not constitute warranties and should not be relied upon.

If BUNN determines in its sole discretion that the equipment does not conform to the warranty, BUNN, at its exclusive option while the equipment is under warranty, shall either 1) provide at no charge replacement parts and/or labor (during the applicable parts and labor warranty periods specified above) to repair the defective components, provided that this repair is done by a BUNN Authorized Service Representative; or 2) shall replace the equipment or refund the purchase price for the equipment.

THE BUYER'S REMEDY AGAINST BUNN FOR THE BREACH OF ANY OBLIGATION ARISING OUT OF THE SALE OF THIS EQUIPMENT, WHETHER DERIVED FROM WARRANTY OR OTHERWISE, SHALL BE LIMITED, AT BUNN'S SOLE OPTION AS SPECIFIED HEREIN, TO REPAIR, REPLACEMENT OR REFUND.

In no event shall BUNN be liable for any other damage or loss, including, but not limited to, lost profits, lost sales, loss of use of equipment, claims of Buyer's customers, cost of capital, cost of down time, cost of substitute equipment, facilities or services, or any other special, incidental or consequential damages.

392, A Partner You Can Count On, Air Infusion, AutoPOD, AXIOM, BrewLOGIC, BrewMETER, Brew Better Not Bitter, BrewWISE, BrewWIZARD, BUNN Espresso, BUNN Family Gourmet, BUNN Gourmet, BUNN Pour-O-Matic, BUNN, BUNN with the stylized red line, BUNNlink, Bunn-O-Matic, Bunn-O-Matic, BUNNserve, BUNNSERVE with the stylized wrench design, Cool Froth, DBC, Dr. Brew stylized Dr. design, Dual, Easy Pour, EasyClear, EasyGard, FlavorGard, Gourmet Ice, Gourmet Juice, High Intensity, iMIX, Infusion Series, Intellisteam, My Café, Phase Brew, PowerLogic, Quality Beverage Equipment Worldwide, Respect Earth, Respect Earth with the stylized leaf and coffee cherry design, Safety-Fresh, savemycoffee.com, Scale-Pro, Silver Series, Single, Smart Funnel, Smart Hopper, SmartWAVE, Soft Heat, SplashGard, The Mark of Quality in Beverage Equipment Worldwide, ThermoFresh, Titan, trifecta, Velocity Brew, Air Brew, Beverage Bar Creator, Beverage Profit Calculator, Brew better, not bitter., BUNNSource, Coffee At Its Best, Cyclonic Heating System, Daypart, Digital Brewer Control, Element, Milk Texturing Fusion, Nothing Brews Like a BUNN, Pouring Profits, Signature Series, Sure Tamp, Tea At Its Best, The Horizontal Red Line, Ultra are either trademarks or registered trademarks of Bunn-O-Matic Corporation. The commercial trifecta® brewer housing configuration is a trademark of Bunn-O-Matic Corporation.

TABLE OF CONTENTS

COVERS AND PANELS.....4

DRIP TRAY AND BIN.....6

EJECTOR ASSEMBLY.....8

TANK (EARLY MODELS) 12

TANK (LATE MODELS)..... 14

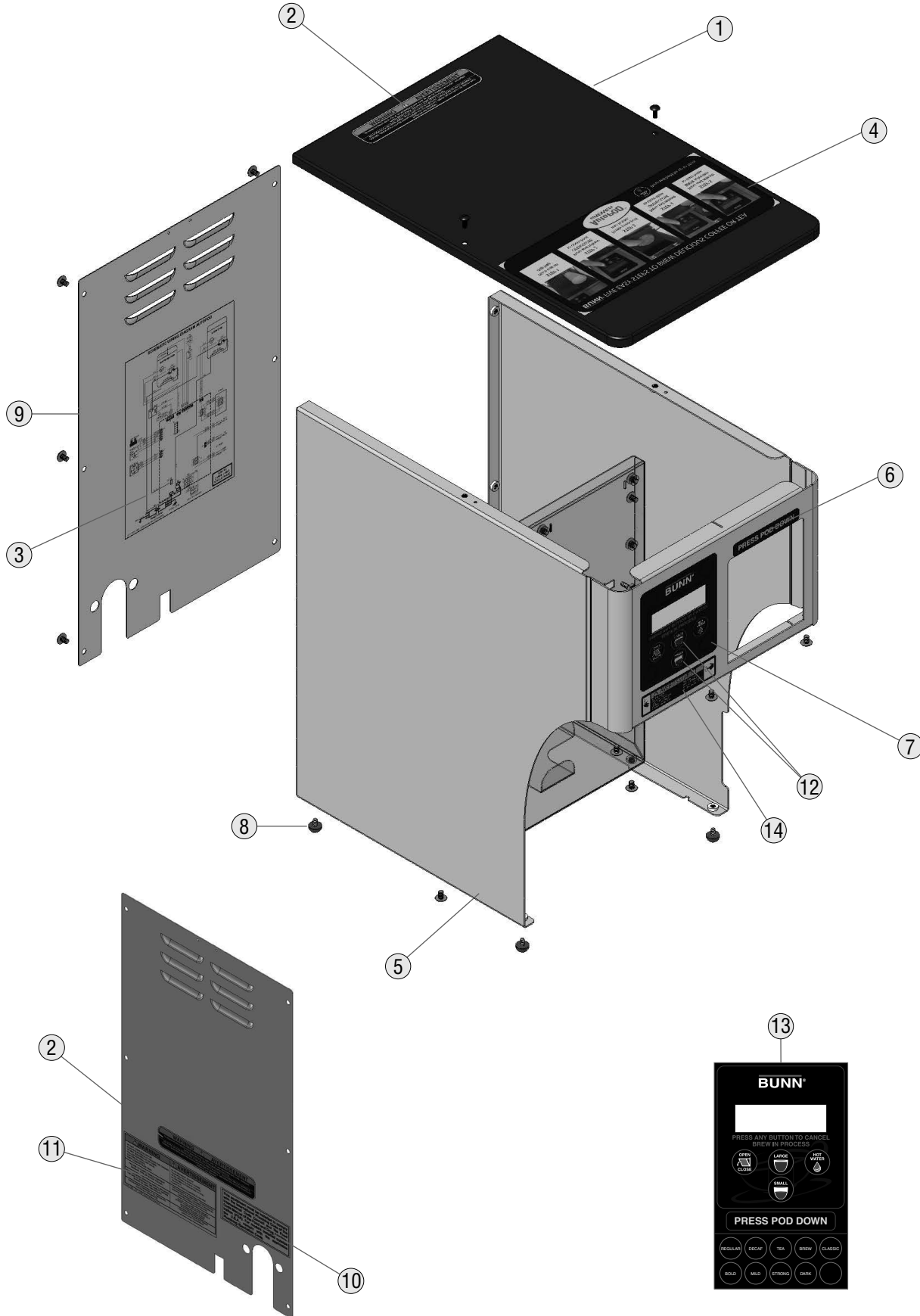
PLUMBING.....16

ELECTRICAL COMPONENTS.....18

NUMERICAL INDEX 20

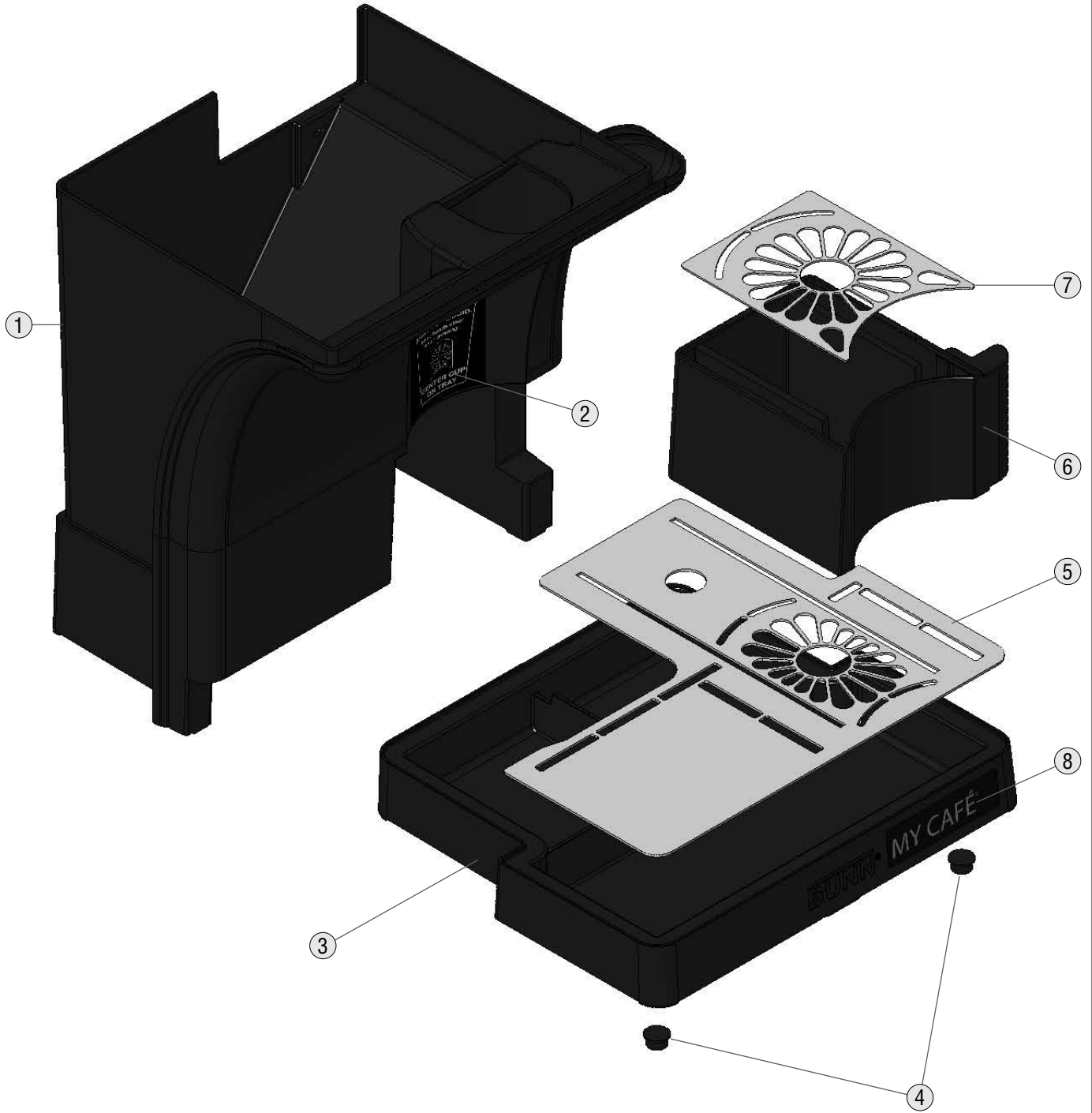
To order coffee filters, water filters, or other accessories, refer to Specification Sheets at www.bunn.com

| Fraction | Decimal | Fraction | Decimal |
|-------------|---------|--------------|---------|
| 1/16 | 0.063 | 9/16 | 0.563 |
| 1/8 | 0.125 | 5/8 | 0.625 |
| 3/16 | 0.188 | 11/16 | 0.688 |
| 1/4 | 0.250 | 3/4 | 0.750 |
| 5/16 | 0.313 | 13/16 | 0.813 |
| 3/8 | 0.375 | 7/8 | 0.875 |
| 7/16 | 0.438 | 15/16 | 0.938 |
| 1/2 | 0.500 | 1 | 1.000 |



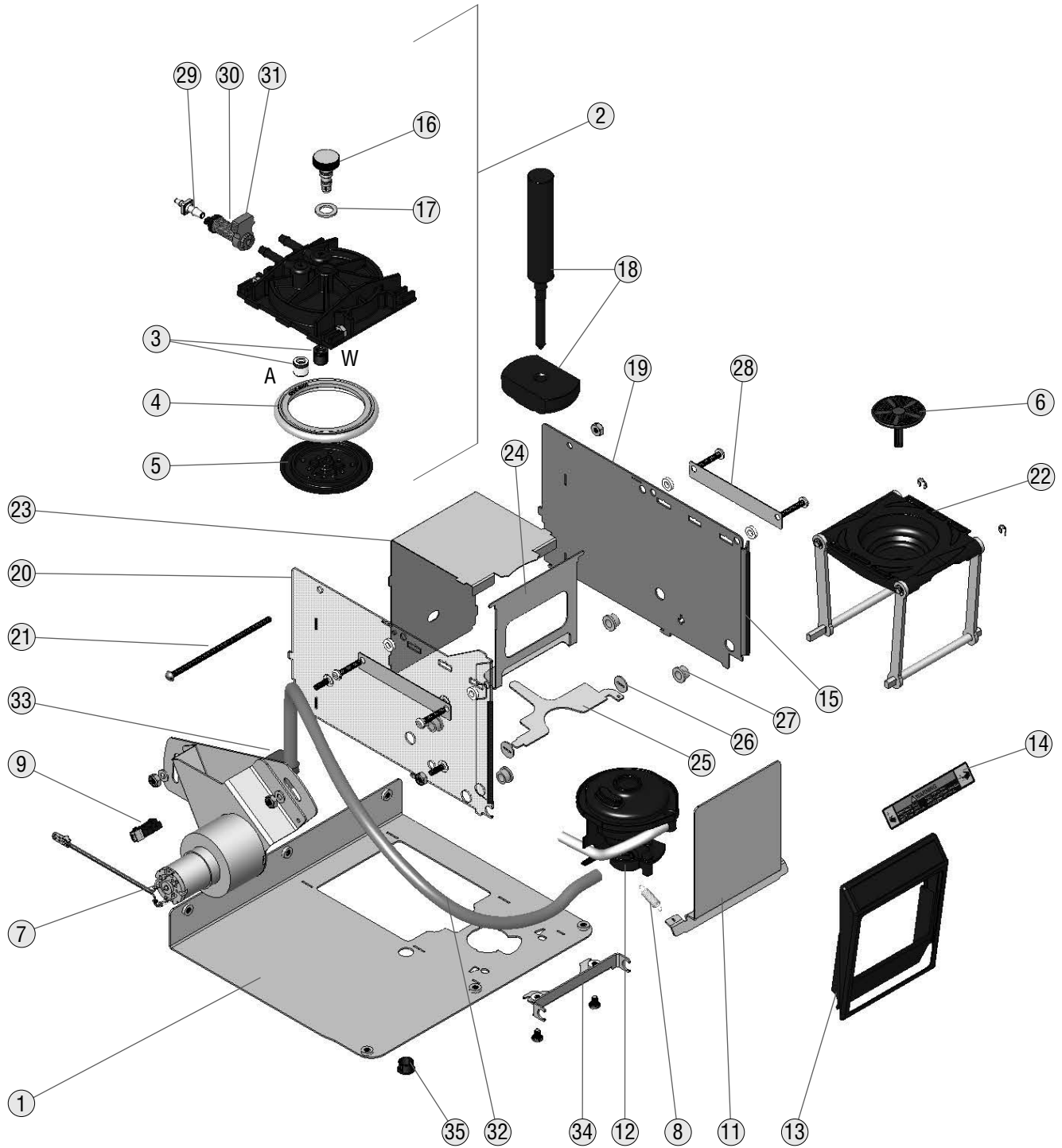
COVERS AND PANELS

| ITEM | PART NO. | QTY. | DESCRIPTION |
|------|-------------|------|--|
| 1 | 43427.1001 | 1 | Cover, Top (Includes Item # 2) |
| | 01382.0002 | 2 | Screw,Trh Sst Blk Oxd 6-32x.38 |
| 2 | 37881.7002 | 2 | Decal, No User Serviceable Parts |
| 3 | 41164.1002 | 1 | Schematic 120v |
| 4 | 41176.0000 | 1 | Decal, Removable, 5-Step (Optional) |
| 5 | 43418.1000 | 1 | Housing (Includes # 6, 14) |
| | 01382.0000 | 5 | Screw, Trh Sltd Sst 6-32x.38 |
| 6 | 41145.0002* | 1 | Decal, Press Pod Down (Not Available Order # 13) |
| 7 | 41145.0001* | 1 | Decal, Switch (Not Available Order # 13) |
| 8 | 47979.0000 | 4 | Bumper |
| 9 | 43540.1001 | 1 | Cover, Back (Includes Item # 2,10,11) |
| | 01308.0000 | 6 | Screw, Trh Sltd Sst 6-32x.38 |
| 10 | 00656.0001 | 1 | Decal, Comply To Plumbing Code |
| 11 | 00986.7000 | 1 | Decal, Warning Electrical |
| 12 | 41145.0003* | 1 | Decals, Flavor Labels (Not Available Order # 13) |
| 13 | 41145.0000 | 1 | Decal Sheet, Switch/Flavor Labels |
| 14 | 41177.7000 | 1 | Decal, Warning-Pinch (French) |



DRIP TRAY AND BIN

| ITEM | PART NO. | QTY. | DESCRIPTION |
|------|------------|------|---|
| 1 | 41156.1001 | 1 | Bin Assembly (Includes Item # 2) |
| 2 | 39474.0001 | 1 | Decal, Cup Placement |
| 3 | 41166.1000 | 1 | Drip Tray Assy, With Feet (Includes Item # 4) |
| 4 | 34466.0000 | 2 | Foot, Rubber |
| 5 | 40597.0002 | 1 | Grate, Drip Tray |
| 6 | 40595.0001 | 1 | Booster |
| 7 | 40646.0002 | 1 | Grate, Booster |
| 8 | 44169.1000 | 1 | Decal, My Café |

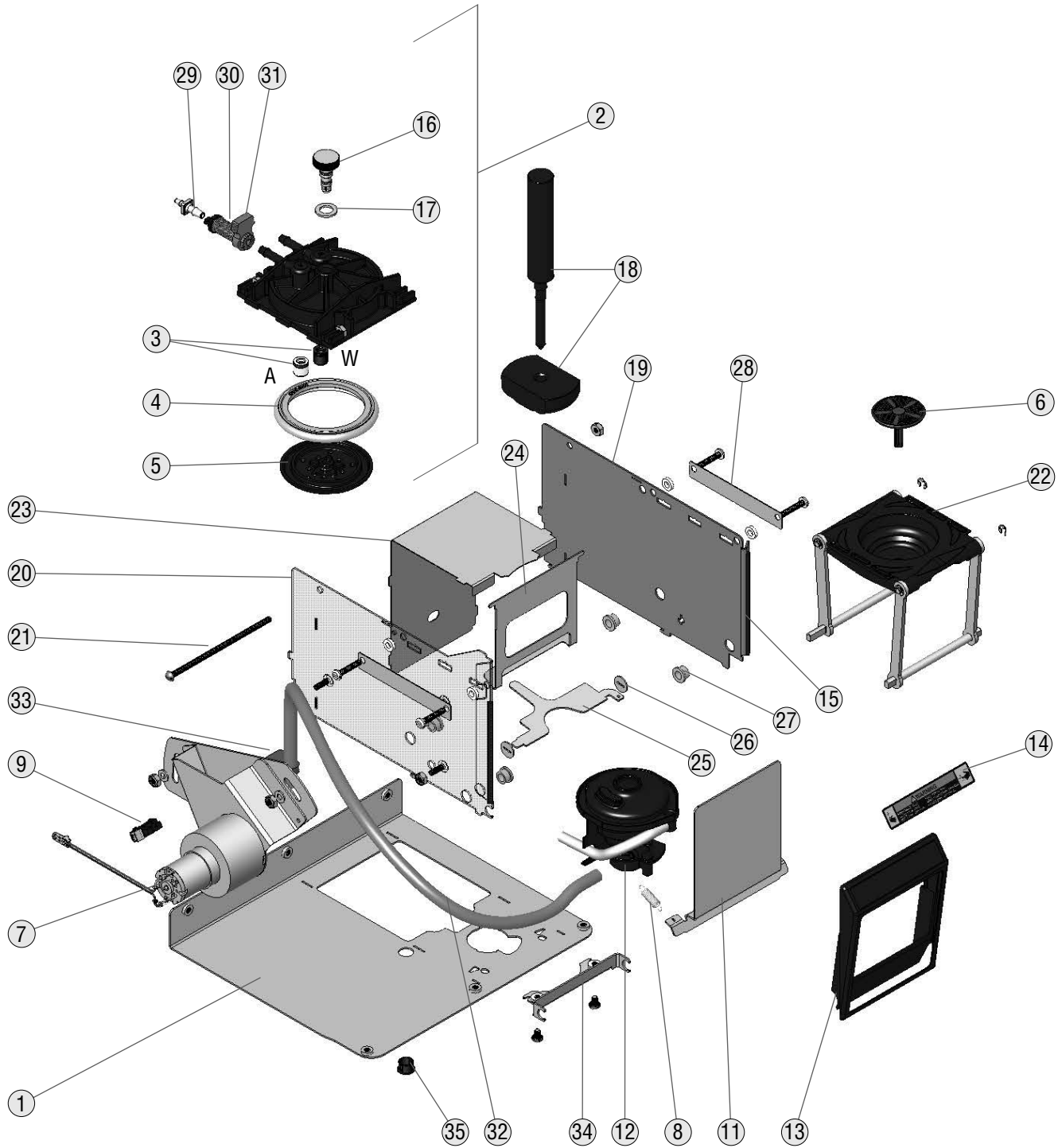


EJECTOR ASSEMBLY

| ITEM | PART NO. | QTY. | DESCRIPTION |
|------|-------------|------|---|
| 1 | 43851.1000* | 1 | Floor Weldment (w/o Hinge Bracket) (No longer available) |
| | 43851.1001 | 1 | Floor Weldment (w/Hinge Bracket) Not Interchangeable |
| | 01308.0000 | 6 | Screw, Trh Sltd Sst 6-32x.25 |
| 2 | 43619.1000 | 1 | Sprayhead Assy. (Includes # 3 - 5, 16, 17) |
| | 00908.0000 | 4 | Nut, Hex Sst 8-32 |
| 3 | 36379.1001 | 1 | Check Valve, Air (White) |
| | 36379.1002 | 1 | Check Valve, Water (Black) |
| 4 | 42310.0000 | 1 | Seal, Sprayhead |
| 5 | 36384.1001 | 1 | Sprayhead |
| 6 | 40806.1000 | 1 | Pod Screen Assy |
| 7 | 43802.1000 | 1 | Gearmotor Assembly (NOT for use in AutoPOD) |
| | 01522.0001 | 2 | Washer |
| | 00991.0006 | 2 | Nut |
| 8 | 41038.1000 | 2 | Spring |
| 9 | 40601.0000 | 1 | Photosensor |
| 10 | 41145.0002* | 1 | Decal, Press Pod Down (Not Available, Order 41145.0000) |
| 11 | 40585.1002 | 1 | Door |
| 12 | 42476.1000 | 1 | Kit, Stream Guide |
| | 41113.0001* | 1 | Tubing, .188" x 4.0" (Not Available, Order # 36) |
| 13 | 42525.1000 | 1 | Kit, Bezel (Includes Decal) |
| 14 | 41177.0001 | 1 | Decal, Warning-Pinch/Hot Liquid |
| 15 | 28366.0004* | 2 | Gasket 3.5" Lg. (Not Available, Order # 36) |
| 16 | 43550.1000 | 1 | Kit, Sprayhead Screw .25-20 UNC (Includes o-rings) |
| 17 | 44167.1000 | 1 | Kit, Washer/O-Ring (Includes o-rings for item 16) |
| 18 | 43891.1000 | 1 | Kit, Alignment w/Instructions |
| 19 | 43848.1000* | 1 | Kit, Right Side Panel (w/o Hinge Bracket) (No longer available) |
| | 43848.1002 | 1 | Kit, Right Side Panel (w/Hinge Bracket) Not Interchangeable |
| 20 | 43849.1000* | 1 | Kit, Left Side Panel (w/o Hinge Bracket) (No longer available) |
| | 43849.1001 | 1 | Kit, Left Side Panel (w/Hinge Bracket) Not Interchangeable |
| 21 | 01371.0000 | 1 | Screw, RDH SLTD SST 8-32x4.0 |
| | 00991.0006 | 1 | Nut |
| 22 | 41141.1001 | 1 | Pod Holder Assy, w/Linkage |
| | 01403.0000 | 4 | E-Ring, Ext. |
| 23 | 40583.1003 | 1 | Cover, Back-Ejector Assy. |
| 24 | 40582.1001 | 1 | Wiper |
| 25 | 41046.1002 | 1 | Lifter |
| 26 | 41107.1001 | 2 | Washer |
| 27 | 40821.1000 | 4 | Bearing |

CONTINUED

* Indicates the part number listed is for reference only. See DESCRIPTION for possible service replacement.

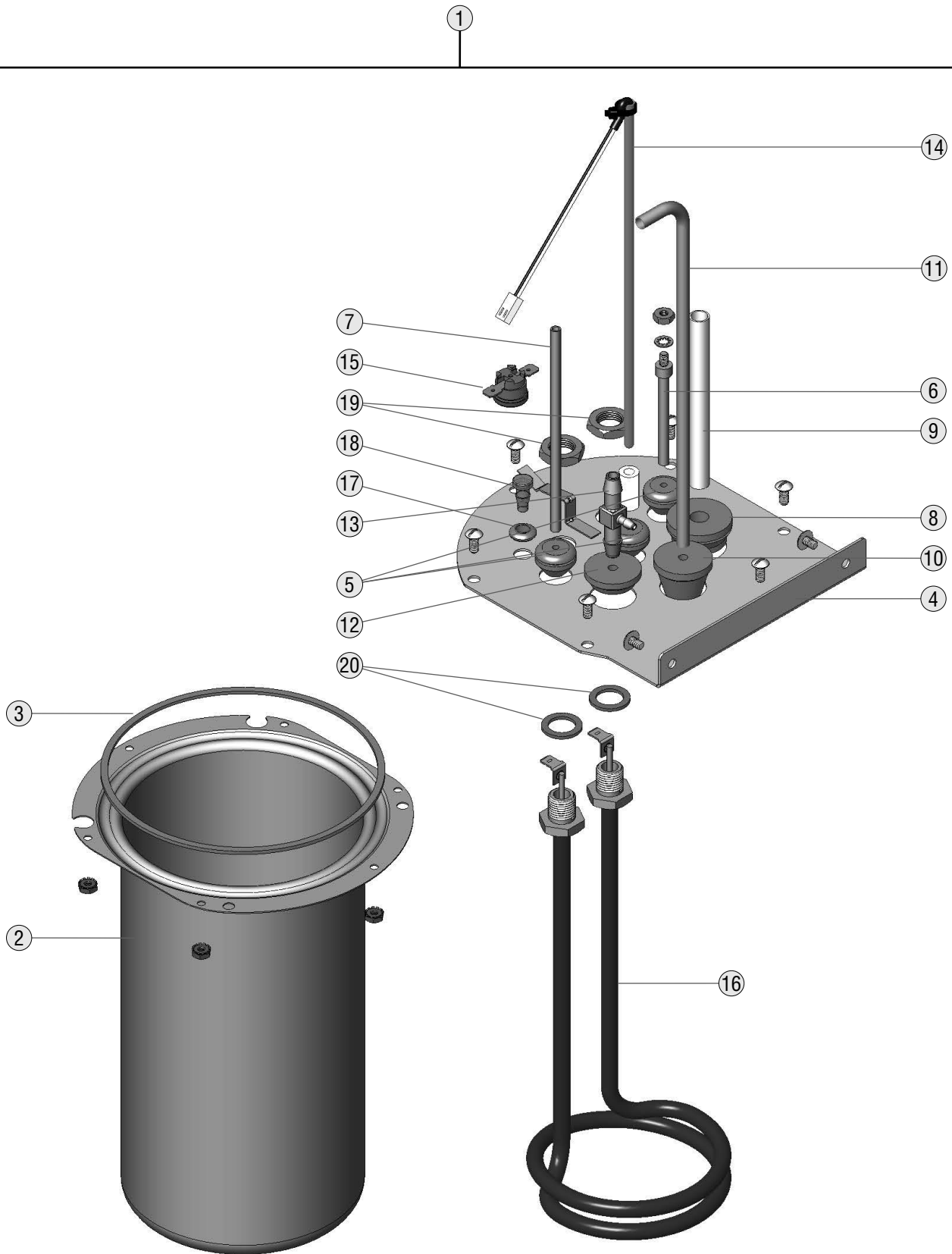


EJECTOR ASSEMBLY

| ITEM | PART NO. | QTY. | DESCRIPTION |
|------|-------------|------|---|
| 28 | 41053.1000 | 2 | Deflector |
| | 01370.0002 | 4 | Screw, Pnh Sltd Sst 8-32x.88 |
| | 20616.0000 | 4 | Washer, Nyl-.194 Idx.093 thk |
| 29 | 43803.0000 | 1 | Connector, Barbed |
| 30 | 36629.0005* | 1 | Tube, Sil Bd Pt .188ID 1.4 LG (N/A Order Item # 38) |
| 31 | 12422.0000 | 1 | Clamp, Snp-6 |
| 32 | 36631.0018* | 1 | Tube, Sil Pt .188Id X 20.0Lg (Early Models) (N/A Order Item # 39) |
| 33 | 12422.0003 | 1 | Clamp, Snp-2 |
| 34 | 44789.1000 | 1 | Bracket, Door Hinge (Later Models) |
| | 45303.1000 | 2 | SCREW, PNH SLTD W/SERR 8-32x.25 LKG |
| 35 | 00669.0003 | 1 | Plug, Hole-Nyl Blk .43 Hole Dia |

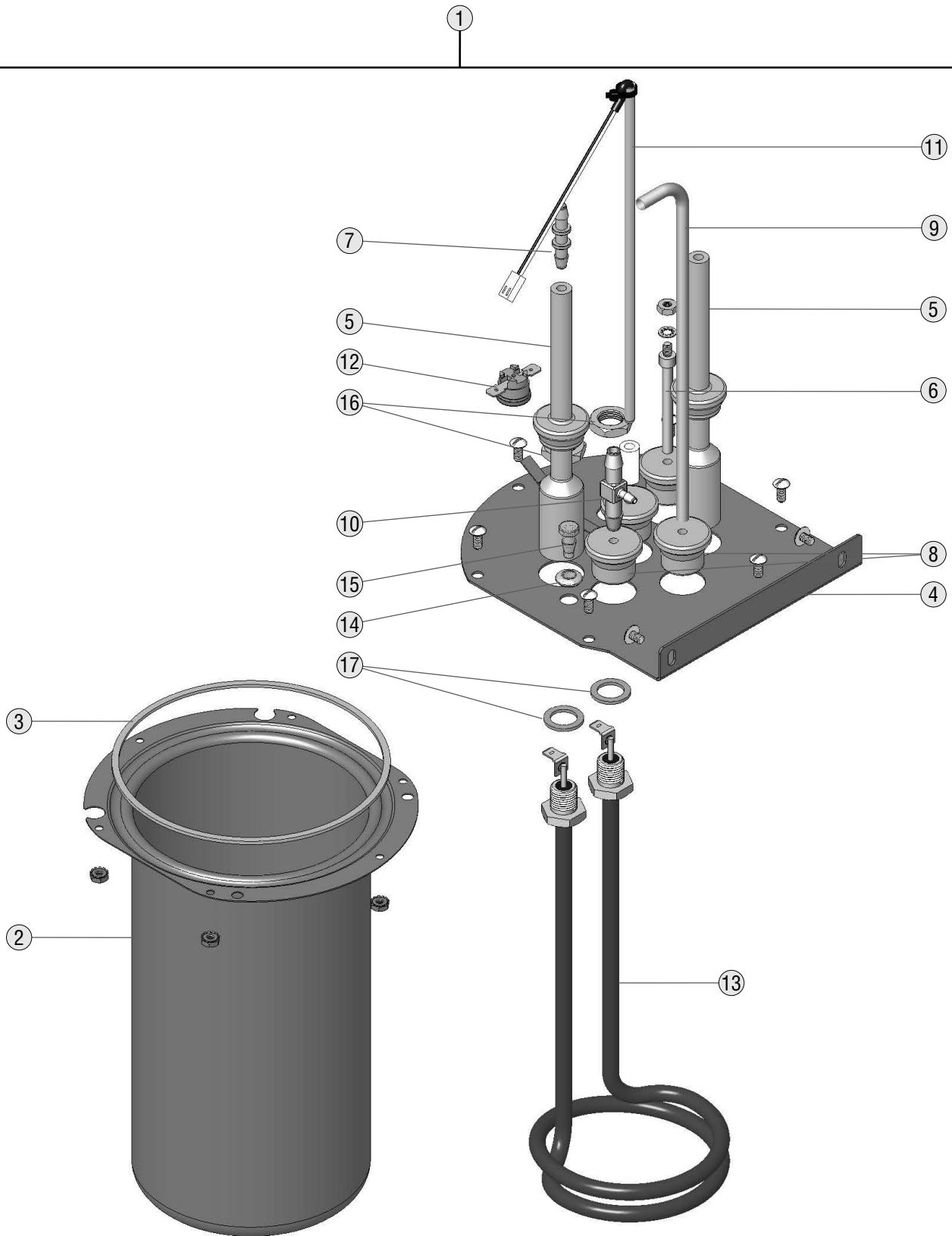
The Following Items Are Not Illustrated

| | | | |
|----|------------|---|--|
| 36 | 41113.1000 | - | Tubing, .188" ID x .313" OD x 1 Foot |
| | 41113.1001 | - | Tubing, .188" ID x .313" OD x 3 Feet |
| | 41113.1002 | - | Tubing, .188" ID x .313" OD x 10 Feet |
| 37 | 28366.1000 | - | Gasket 1 Foot |
| | 28366.1001 | - | Gasket 3 Feet |
| | 28366.1002 | - | Gasket 10 Feet |
| 38 | 36629.1000 | - | Tubing, Braided .188" ID x .462" OD x 1 Foot |
| | 36629.1001 | - | Tubing, Braided .188" ID x .462" OD x 3 Feet |
| | 36629.1002 | - | Tubing, Braided .188" ID x .462" OD x 10 Feet |
| 39 | 36631.1000 | - | Tubing, .188" ID x .375" OD x 1 Foot |
| | 36631.1001 | - | Tubing, .188" ID x .375" OD x 3 Feet |
| | 36631.1002 | - | Tubing, .188" ID x .375" OD x 10 Feet |
| 40 | 40603.1005 | 1 | Ejector Assy (Includes Items 1 - 31) (w/Hinge Bracket) |



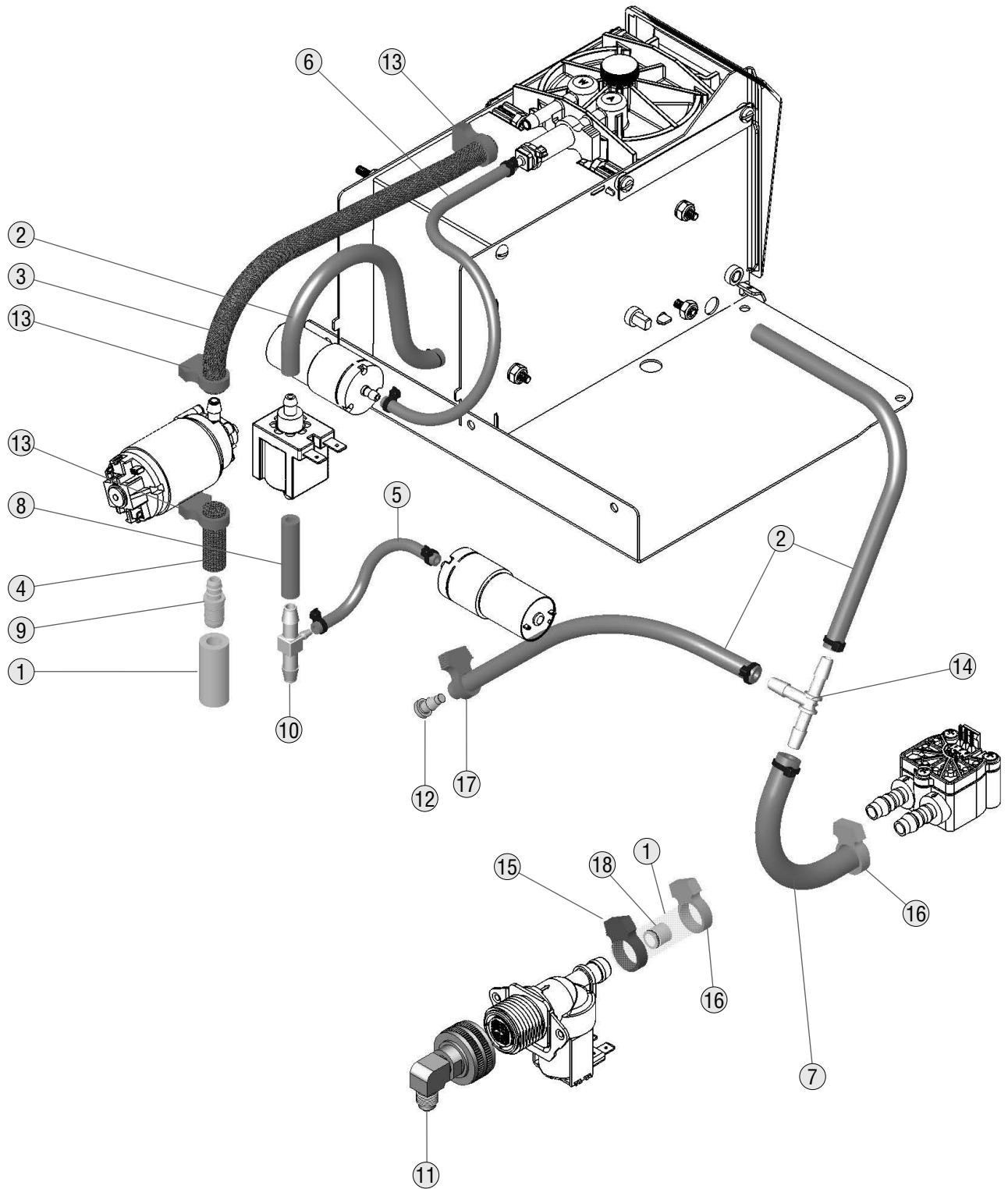
TANK ASSEMBLY - EARLY MODELS

| ITEM | PART NO. | QTY. | DESCRIPTION |
|------|-------------|------|--|
| 1 | 43652.1000 | 1 | Tank Assy. |
| 2 | 35430.0000 | 1 | Tank |
| | 00973.0000 | 6 | Nut, Keps 6-32 |
| 3 | 04844.0000 | 1 | Gasket |
| 4 | 43434.1000 | 1 | Tank Lid |
| | 01382.0000 | 6 | Screw, Trh Sltd Sst 6-32X.38 |
| | 01308.0000 | 2 | Screw, Trh Sltd Sst 6-32X.25 |
| 5 | 33201.0000 | 3 | Grommet |
| 6 | 43468.1000 | 1 | Level Probe (Includes Lock Washer & Nut) |
| | 20203.0100 | 1 | Lock Washer, Intl Tooth-Sst #8 |
| | 00908.0000 | 1 | Nut, Hex Sst 8-32 |
| 7 | 41101.0000 | 1 | Tube, Sst |
| 8 | 43103.1000 | 1 | Grommet |
| 9 | 43650.1000* | 1 | Kit, Brew Tube (Obs. Order 44304.1000) |
| 10 | 33801.0001 | 1 | Grommet |
| 11 | 43908.1000 | 1 | Kit, Tank Fill Tube |
| 12 | 12570.0000 | 1 | Grommet |
| 13 | 42781.1000 | 1 | Tee, .25 x .25 x .125 Kynar |
| 14 | 28891.1010 | 2 | Temp Probe Kit |
| | 01533.0010 | 1 | Spacer |
| 15 | 29329.1000 | 1 | Limit Thermostat Kit |
| 16 | 43649.1000 | 1 | Kit, Tank Heater 1425W 120V |
| 17 | 12928.0000 | 1 | Grommet |
| 18 | 42806.1000 | 1 | Plug |
| 19 | 00942.0000 | 2 | Nut, Hex Brass .500-20 |
| 20 | 00943.0000 | 2 | Gasket, Tank Heater |



TANK ASSEMBLY - LATE MODELS

| ITEM | PART NO. | QTY. | DESCRIPTION |
|------|------------|------|--------------------------------------|
| 1 | 43652.1001 | 1 | Tank Assy. |
| 2 | 35430.0000 | 1 | Tank |
| | 00973.0000 | 6 | Nut, Keps 6-32 |
| 3 | 04844.0000 | 1 | Gasket |
| 4 | 43434.1001 | 1 | Tank Lid |
| | 01382.0000 | 6 | Screw, Trh Sltd Sst 6-32X.38 |
| | 01308.0000 | 2 | Screw, Trh Sltd Sst 6-32X.25 |
| 5 | 44304.1000 | 2 | Tube, Hot Water Pickup |
| 6 | 43468.1000 | 1 | Level Probe |
| | 20203.0100 | 1 | Lock Washer, Intl Tooth-Sst #8 |
| | 00908.0000 | 1 | Nut, Hex Sst 8-32 |
| 7 | 45515.1000 | 1 | Kit, Kynar Union Connector .188X.188 |
| 8 | 33801.0003 | 4 | Grommet |
| 9 | 43908.1000 | 1 | Kit, Tank Fill Tube |
| 10 | 42781.1000 | 1 | Tee, .25 x .25 x .125 Kynar |
| 11 | 28891.1010 | 2 | Temp Probe Kit |
| | 01533.0010 | 1 | Spacer |
| 12 | 29329.1000 | 1 | Limit Thermostat Kit |
| 13 | 43649.1000 | 1 | Kit, Tank Heater 1425W 120V |
| 14 | 12928.0000 | 1 | Grommet |
| 15 | 42806.1000 | 1 | Plug |
| 16 | 00942.0000 | 2 | Nut, Hex Brass .500-20 |
| 17 | 00943.0000 | 2 | Gasket, Tank Heater |



PLUMBING

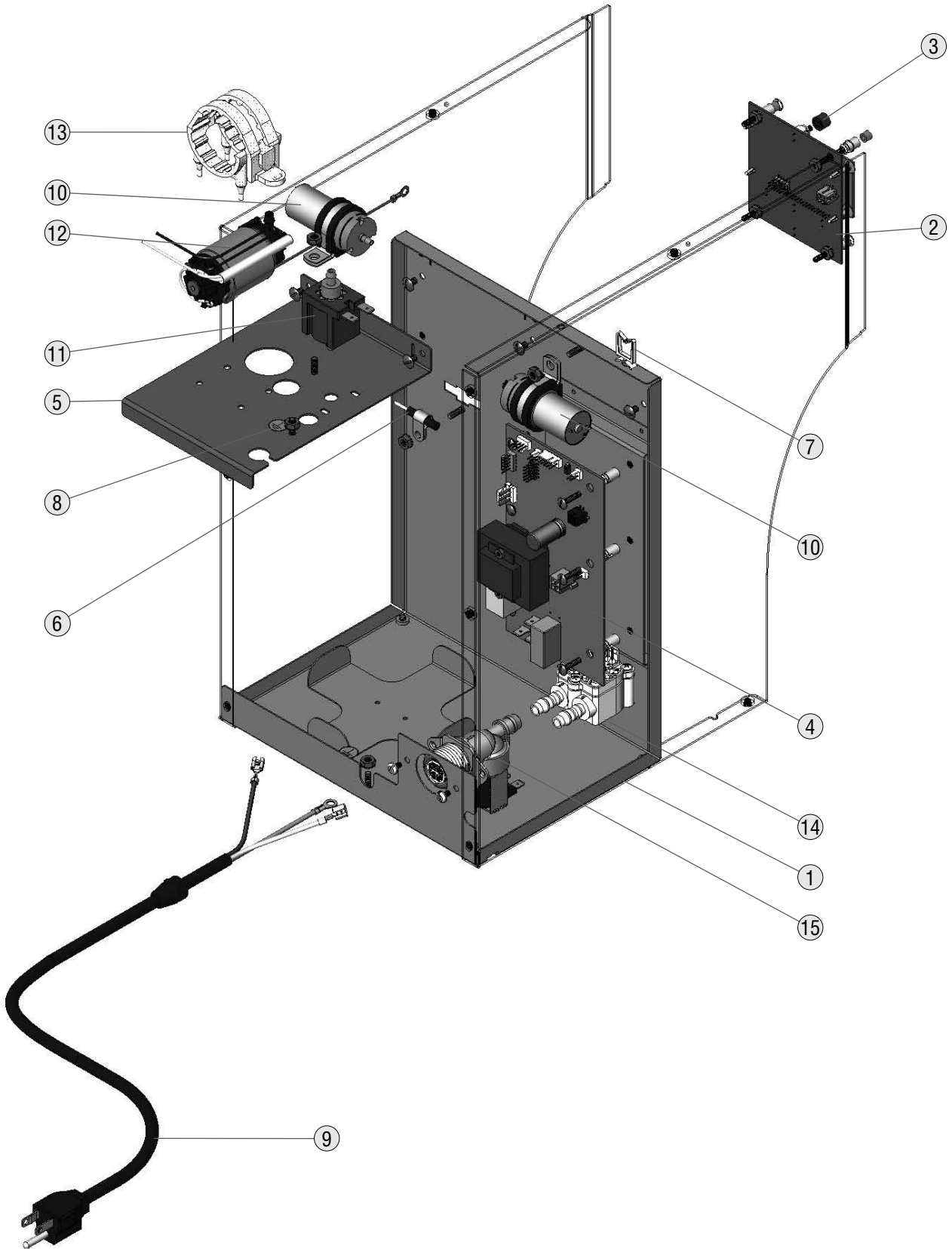
| ITEM | PART NO. | QTY. | DESCRIPTION |
|------|-------------|------|---|
| 1 | 41115.0004* | 2 | Tube, Braided .312ld x 1.5Lg (N/A Order Item # 23) |
| 2 | 42916.0002* | 3 | Tube, Sil Bd Pt .250ld x 7.7 Lg (N/A Order Item # 20) |
| 3 | 36629.0007* | 1 | Tube, Sil Bd Pt .188ld x 9.2 Lg (N/A Order Item # 19) |
| 4 | 36629.0005* | 1 | Tube, Sil Bd Pt .188ld x 1.4 Lg (N/A Order Item # 19) (Not used on latest style tank) |
| 5 | 42918.0005* | 1 | Tube, Sil Pt .125ld x 4.0 Lg (N/A Order Item # 21) |
| 6 | 42918.0004* | 1 | Tube, Sil Pt .125ld x 8.5 Lg (N/A Order Item # 21) |
| 7 | 11707.0036* | 1 | Tube, Silicone .25ld x 5.0Lg (N/A Order Item # 18) |
| 8 | 42916.0014* | 1 | Tube, Sil Pt .188ld x 1.8Lg (N/A Order Item # 20) |
| 9 | 27170.1001 | 1 | Reducer, Barb.25 x .38 Brs Tnpl (Not used on latest style tank) |
| 10 | 42781.1000 | 1 | Tee, .25 x .25 x .125 Kynar |
| 11 | 37297.1006 | 1 | Elbow, .25 Flr x .75 Hose Thd |
| 12 | 42806.0000 | 1 | Plug, Barbed .188 pp |
| 13 | 12422.0000 | 3 | Clamp, Snp-6 |
| 14 | 42775.1000 | 1 | Tee, .25 x .25 x .25 Kynar |
| 15 | 12422.0005 | 4 | Clamp, Snp-12 |
| 16 | 12422.0006 | 6 | Clamp, Snp-8 |
| 17 | 12422.0011 | 4 | Clamp, Snp-4 |
| 18 | 36378.0001 | 1 | Check Valve |

NOTE: Zip ties not available, purchase locally.

The Following Items Are Not Illustrated

| | | | |
|----|------------|---|---|
| 19 | 11707.1000 | - | Tubing .250" I.D. x .5" OD x 1 Foot |
| | 11707.1001 | - | Tubing .250" I.D. x .5" OD x 3 Feet |
| | 11707.1002 | - | Tubing .250" I.D. x .5" OD x 10 Feet |
| 20 | 36629.1000 | - | Tubing, Braided .188" ID x .462" OD x 1 Foot |
| | 36629.1001 | - | Tubing, Braided .188" ID x .462" OD x 3 Feet |
| | 36629.1002 | - | Tubing, Braided .188" ID x .462" OD x 10 Feet |
| 21 | 42916.1000 | - | Tubing, .125" ID x .25" OD x 1 Foot |
| | 42916.1001 | - | Tubing, .125" ID x .25" OD x 3 Feet |
| | 42916.1002 | - | Tubing, .125" ID x .25" OD x 10 Feet |
| | 42916.1004 | - | Tubing, .125" ID x .25" OD x 250 Feet |
| 22 | 42918.1000 | - | Tubing, .188" ID x .375" OD x 1 Foot |
| | 42918.1001 | - | Tubing, .188" ID x .375" OD x 3 Feet |
| | 42918.1002 | - | Tubing, .188" ID x .375" OD x 10 Feet |
| | 42918.1004 | - | Tubing, .125" ID x .25" OD x 250 Feet |
| 23 | 41115.1000 | - | Tube, Braided .312ld x .592" OD x 1 Foot |
| | 41115.1001 | - | Tube, Braided .312ld x .592" OD x 3 Feet |
| | 41115.1002 | - | Tube, Braided .312ld x .592" OD x 10 Feet |
| | 41115.1004 | - | Tube, Braided .312ld x .592" OD x 250 Feet |

* Indicates the part number listed is for reference only. See DESCRIPTION for possible service replacement.



ELECTRICAL COMPONENTS

| ITEM | PART NO. | QTY. | DESCRIPTION |
|------|--|------------------|--|
| 1 | 43412.1001 01308.0000 | 1 3 | Kit, Panel Wldmt Component Mtg Screw, Trh Sltd Sst 6-32X.25 |
| 2 | 40151.1000 29081.0001 01533.0004 00973.0000 | 1 4 4 4 | CBA Display Assy. RoHS (Includes Spacers and Nuts) Spacer, #8x.375 Spacer, Nyl-.14ld X.25 Odx.19L Nut, Keps 6-32 Zinc Plate |
| 3 | 41131.1000 | 5 | Kit, Tactile Switch Key Top |
| 4 | 43666.1000 43666.1001 02367.0000 29081.0001 | 1 1 6 6 | Cba, Main 120V RoHS (Includes Spacers and Screws) Cba, Main 230V RoHS (Includes Spacers and Screws) Screw, Trh Sltd Sst 6-32x.625 Spacer, #8x.375 |
| 5 | 43476.1000 01308.0000 | 1 2 | Kit, Bracket Screw, Trh Sltd Sst 6-32X.25 |
| 6 | 36390.0000* 05920.0000 00970.0000 | 1 1 1 | Reed Switch (Not Available, Order Harness 43478.0004) Clamp, Cable Nut, Keps #8-32 Zinc Pl |
| 7 | 40934.0000 | 1 | Saddle, Wire |
| 8 | 00824.0002 00970.0000 | 2 2 | Decal, Ground Nut, Keps #8-32 |
| 9 | 36381.0005 | 1 | Power Cord, 120V |
| 10 | 38316.1000 40935.0000 00970.0000 | 2 2 2 | Pump Assy, Air With Leads Kit, Loop Clamp 1.00" w/Nut Nut, Keps #8-32 Zinc Pl |
| 11 | 39984.1001 | 1 | Valve, Vent W/Cable Ties |
| 12 | 43879.1000 43879.1001 37841.1000 | 1 1 1 | Kit, Brew Water Pump Assy. w/Tubes Kit, Replacement Pump w/Sprayhead Kit, Pump Seal Replacement |
| 13 | 43925.1000 | 1 | Kit, Water Pump Motor Saddle |
| 14 | 40752.1001 | 1 | Kit, Flow Meter 02.5Mm Orifice |
| 15 | 40693.1006 32283.0000 | 1 2 | Kit, 120V Inlet Valve Assy w/.195 Flow Control Screw, M4 x 6MM |

The Following Items Are Not Illustrated

| | | | |
|----|------------|---|---|
| 16 | 40357.0000 | 1 | Wiring Harness, CBA to Flow Meter |
| 17 | 43478.1001 | 1 | Lead Assy, Blk Tank Heater to Limit |
| 18 | 43478.0002 | 1 | Wiring Harness, CBA to Display Module |
| 19 | 43478.0003 | 1 | Wiring Harness, CBA to Air Vent Solenoid |
| 20 | 43478.0004 | 1 | Wiring Harness, CBA to Bin Sensor/Level Probe |
| 21 | 43478.0005 | 1 | Wiring Harness, CBA to Motor Position Sensor |
| 22 | 43478.0006 | 1 | Wiring Harness, CBA to Index Motor/Pod Air Pump |
| 23 | 43478.1007 | 1 | Wiring Harness, CBA to Limit/Tank Heater |
| 24 | 43478.1009 | 1 | Wiring Harness, Hot Water Air Pump |

* Indicates the part number listed is for reference only. See DESCRIPTION for possible service replacement.

NUMERICAL INDEX

| PART NO. | PAGE NO. | PART NO. | PAGE NO. | PART NO. | PAGE NO. | PART NO. | PAGE NO. |
|-----------------|----------|-----------------|----------|-----------------|----------|-----------------|----------|
| 00656.0001..... | 5 | 36384.1001..... | 9 | 41164.1002..... | 5 | 43849.1000..... | 9 |
| 00669.0003..... | 11 | 36390.0000..... | 19 | 41166.1000..... | 7 | 43849.1001..... | 9 |
| 00824.0002..... | 19 | 36629.0005..... | 11,17 | 41176.0000..... | 5 | 43851.1000..... | 9 |
| 00908.0000..... | 9,13,15 | 36629.0007..... | 17 | 41177.0001..... | 9 | 43851.1001..... | 9 |
| 00942.0000..... | 13,15 | 36629.1000..... | 11,17 | 41177.7000..... | 5 | 43879.1000..... | 19 |
| 00943.0000..... | 13,15 | 36629.1001..... | 11,17 | 42310.0000..... | 9 | 43879.1001..... | 19 |
| 00970.0000..... | 19 | 36629.1002..... | 11,17 | 42476.1000..... | 9 | 43891.1000..... | 9 |
| 00973.0000..... | 13,15,19 | 36631.0018..... | 11 | 42525.1000..... | 9 | 43908.1000..... | 13,15 |
| 00986.7000..... | 5 | 36631.1000..... | 11 | 42775.1000..... | 17 | 43925.1000..... | 19 |
| 00991.0006..... | 9 | 36631.1001..... | 11 | 42781.1000..... | 13,15,17 | 44167.1000..... | 9 |
| 01308.0000..... | 5,9 | 36631.1002..... | 11 | 42806.0000..... | 17 | 44169.1000..... | 7 |
| 01308.0000..... | 13,15,19 | 37297.1006..... | 17 | 42806.1000..... | 13,15 | 44304.1000..... | 15 |
| 01370.0002..... | 11 | 37841.1000..... | 19 | 42916.0002..... | 17 | 44789.1000..... | 11 |
| 01371.0000..... | 9 | 37881.7002..... | 5 | 42916.0014..... | 17 | 45303.1000..... | 11 |
| 01382.0000..... | 5,13,15 | 38316.1000..... | 19 | 42916.1000..... | 17 | 45515.1000..... | 15 |
| 01382.0002..... | 5 | 39474.0001..... | 7 | 42916.1001..... | 17 | 47979.0000..... | 5 |
| 01403.0000..... | 9 | 39984.1001..... | 19 | 42916.1002..... | 17 | | |
| 01522.0001..... | 9 | 40151.1000..... | 19 | 42916.1004..... | 17 | | |
| 01533.0004..... | 19 | 40357.0000..... | 19 | 42918.0004..... | 17 | | |
| 01533.0010..... | 13,15 | 40582.1001..... | 9 | 42918.0005..... | 17 | | |
| 02367.0000..... | 19 | 40583.1003..... | 9 | 42918.1000..... | 17 | | |
| 04844.0000..... | 13,15 | 40585.1002..... | 9 | 42918.1001..... | 17 | | |
| 05920.0000..... | 19 | 40595.0001..... | 7 | 42918.1002..... | 17 | | |
| 11707.0036..... | 17 | 40597.0002..... | 7 | 42918.1004..... | 17 | | |
| 11707.1000..... | 17 | 40601.0000..... | 9 | 43103.1000..... | 13 | | |
| 11707.1001..... | 17 | 40603.1005..... | 11 | 43412.1001..... | 19 | | |
| 11707.1002..... | 17 | 40646.0002..... | 7 | 43418.1000..... | 5 | | |
| 12422.0000..... | 11,17 | 40693.1006..... | 19 | 43427.1001..... | 5 | | |
| 12422.0003..... | 11 | 40752.1001..... | 19 | 43434.1000..... | 13 | | |
| 12422.0005..... | 17 | 40806.1000..... | 9 | 43434.1001..... | 15 | | |
| 12422.0006..... | 17 | 40821.1000..... | 9 | 43468.1000..... | 13,15 | | |
| 12422.0011..... | 17 | 40934.0000..... | 19 | 43476.1000..... | 19 | | |
| 12570.0000..... | 13 | 40935.0000..... | 19 | 43478.0002..... | 19 | | |
| 12928.0000..... | 13,15 | 41038.1000..... | 9 | 43478.0003..... | 19 | | |
| 20203.0100..... | 13,15 | 41046.1002..... | 9 | 43478.0004..... | 19 | | |
| 20616.0000..... | 11 | 41053.1000..... | 11 | 43478.0005..... | 19 | | |
| 27170.1001..... | 17 | 41101.0000..... | 13 | 43478.0006..... | 19 | | |
| 28366.0004..... | 9 | 41107.1001..... | 9 | 43478.1001..... | 19 | | |
| 28366.1000..... | 11 | 41113.0001..... | 9 | 43478.1007..... | 19 | | |
| 28366.1001..... | 11 | 41113.1000..... | 11 | 43478.1009..... | 19 | | |
| 28366.1002..... | 11 | 41113.1001..... | 11 | 43540.1001..... | 5 | | |
| 28891.1010..... | 13,15 | 41113.1002..... | 11 | 43550.1000..... | 9 | | |
| 29081.0001..... | 19 | 41115.0004..... | 17 | 43619.1000..... | 9 | | |
| 29329.1000..... | 13,15 | 41115.1000..... | 17 | 43649.1000..... | 13 | | |
| 32283.0000..... | 19 | 41115.1001..... | 17 | 43649.1000..... | 15 | | |
| 33201.0000..... | 13 | 41115.1002..... | 17 | 43650.1000..... | 13 | | |
| 33801.0001..... | 13 | 41115.1004..... | 17 | 43652.1000..... | 13 | | |
| 33801.0003..... | 15 | 41131.1000..... | 19 | 43652.1001..... | 15 | | |
| 34466.0000..... | 7 | 41141.1001..... | 9 | 43666.1000..... | 19 | | |
| 35430.0000..... | 13,15 | 41145.0000..... | 5 | 43666.1001..... | 19 | | |
| 36378.0001..... | 17 | 41145.0001..... | 5 | 43802.1000..... | 9 | | |
| 36379.1001..... | 9 | 41145.0002..... | 5,9 | 43803.0000..... | 11 | | |
| 36379.1002..... | 9 | 41145.0003..... | 5 | 43848.1000..... | 9 | | |
| 36381.0005..... | 19 | 41156.1001..... | 7 | 43848.1002..... | 9 | | |

