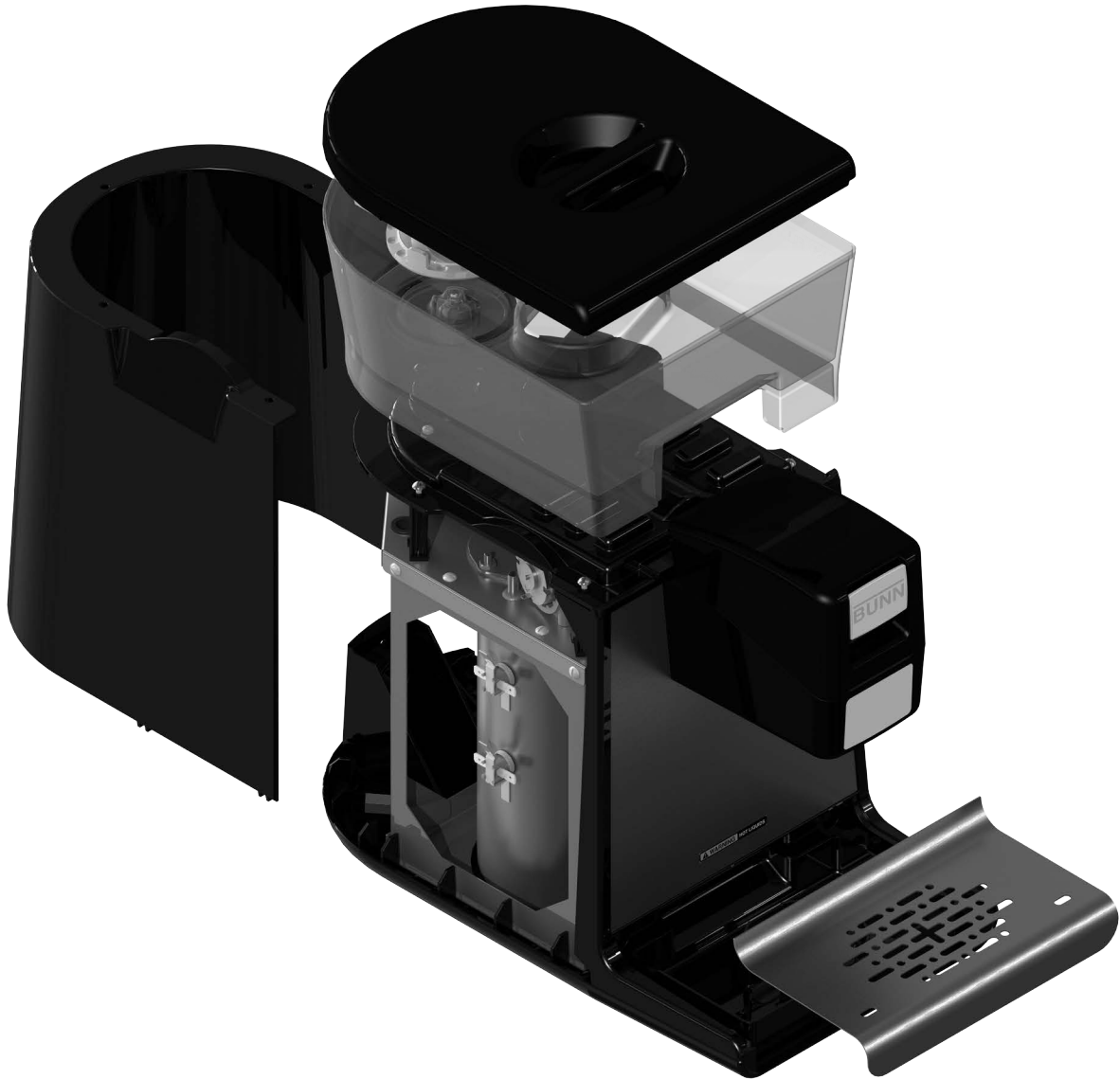




**BUNN**<sup>®</sup>  
— Quality Since 1840 —

**My Café<sup>®</sup> MCR**



## **ILLUSTRATED PARTS CATALOG**

Designs, materials, weights, specifications, and dimensions for equipment or replacement parts are subject to change without notice.

**BUNN-O-MATIC CORPORATION**

POST OFFICE BOX 3227

SPRINGFIELD, ILLINOIS 62708-3227

PHONE: (217) 529-6601 FAX: (217) 529-6644



## BUNN-O-MATIC COMMERCIAL PRODUCT WARRANTY

Bunn-O-Matic Corp. ("BUNN") warrants equipment manufactured by it as follows:

- 1) Airpots, thermal carafes, decanters, GPR servers, iced tea/coffee dispensers, MCR/MCP/MCA single cup brewers, thermal servers and ThermoFresh® servers (mechanical and digital) 1 year parts and 1 year labor.
- 2) All other equipment - 2 years parts and 1 year labor plus added warranties as specified below:
  - a) Electronic circuit and/or control boards - parts and labor for 3 years.
  - b) Compressors on refrigeration equipment - 5 years parts and 1 year labor.
  - c) Grinding burrs on coffee grinding equipment to grind coffee to meet original factory screen sieve analysis - parts and labor for 4 years or 40,000 pounds of coffee, whichever comes first.

These warranty periods run from the date of installation BUNN warrants that the equipment manufactured by it will be commercially free of defects in material and workmanship existing at the time of manufacture and appearing within the applicable warranty period. This warranty does not apply to any equipment, component or part that was not manufactured by BUNN or that, in BUNN's judgment, has been affected by misuse, neglect, alteration, improper installation or operation, improper maintenance or repair, non periodic cleaning and descaling, equipment failures related to poor water quality, damage or casualty. In addition, the warranty does not apply to replacement of items subject to normal use including but not limited to user replaceable parts such as seals and gaskets. This warranty is conditioned on the Buyer 1) giving BUNN prompt notice of any claim to be made under this warranty by telephone at (217) 529-6601 or by writing to Post Office Box 3227, Springfield, Illinois 62708-3227; 2) if requested by BUNN, shipping the defective equipment prepaid to an authorized BUNN service location; and 3) receiving prior authorization from BUNN that the defective equipment is under warranty.

**THE FOREGOING WARRANTY IS EXCLUSIVE AND IS IN LIEU OF ANY OTHER WARRANTY, WRITTEN OR ORAL, EXPRESS OR IMPLIED, INCLUDING, BUT NOT LIMITED TO, ANY IMPLIED WARRANTY OF EITHER MERCHANTABILITY OR FITNESS FOR A PARTICULAR PURPOSE.** The agents, dealers or employees of BUNN are not authorized to make modifications to this warranty or to make additional warranties that are binding on BUNN. Accordingly, statements by such individuals, whether oral or written, do not constitute warranties and should not be relied upon.

If BUNN determines in its sole discretion that the equipment does not conform to the warranty, BUNN, at its exclusive option while the equipment is under warranty, shall either 1) provide at no charge replacement parts and/or labor (during the applicable parts and labor warranty periods specified above) to repair the defective components, provided that this repair is done by a BUNN Authorized Service Representative; or 2) shall replace the equipment or refund the purchase price for the equipment.

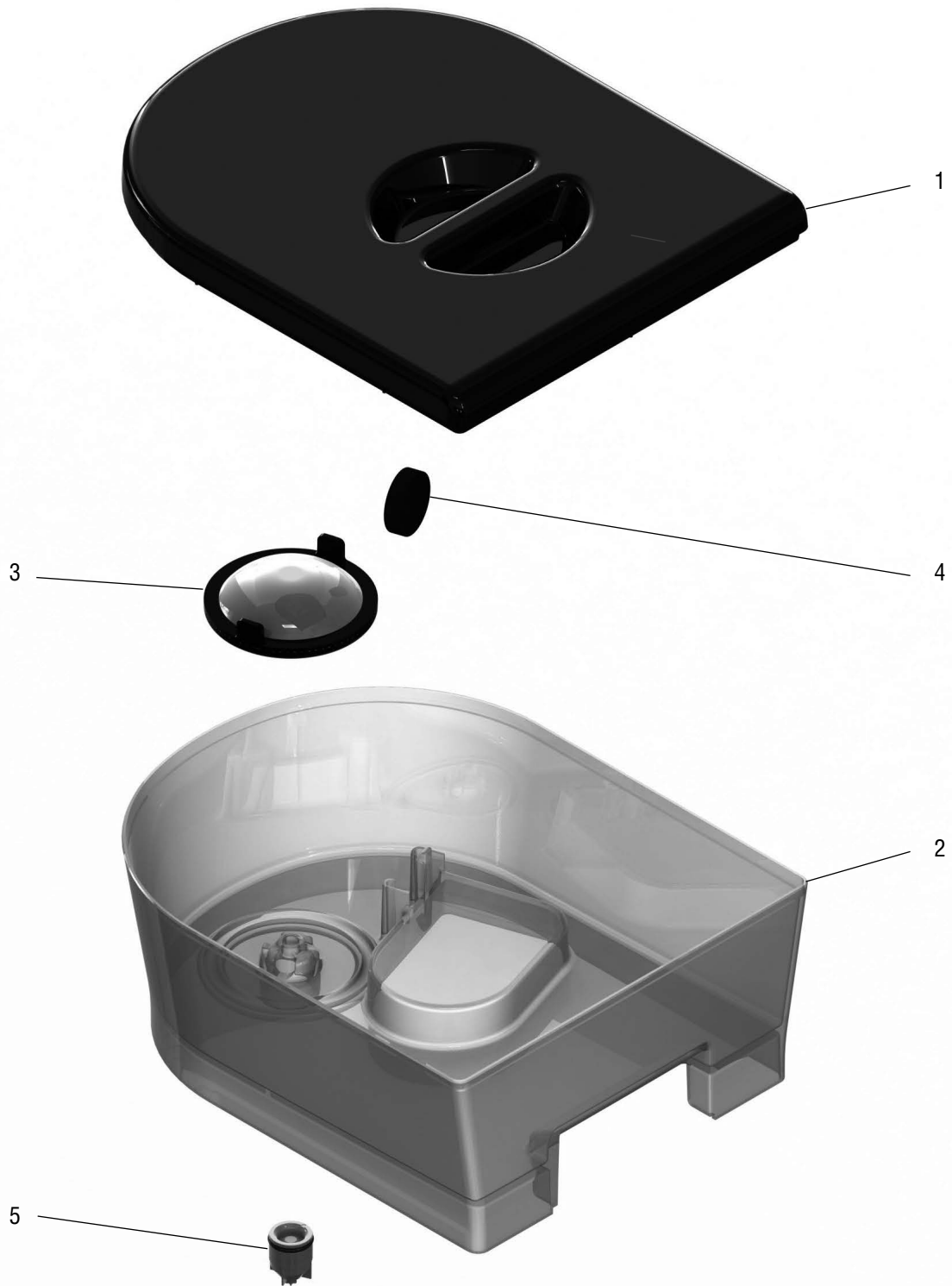
**THE BUYER'S REMEDY AGAINST BUNN FOR THE BREACH OF ANY OBLIGATION ARISING OUT OF THE SALE OF THIS EQUIPMENT, WHETHER DERIVED FROM WARRANTY OR OTHERWISE, SHALL BE LIMITED, AT BUNN'S SOLE OPTION AS SPECIFIED HEREIN, TO REPAIR, REPLACEMENT OR REFUND.**

In no event shall BUNN be liable for any other damage or loss, including, but not limited to, lost profits, lost sales, loss of use of equipment, claims of Buyer's customers, cost of capital, cost of down time, cost of substitute equipment, facilities or services, or any other special, incidental or consequential damages.

392, A Partner You Can Count On, Air Infusion, AutoPOD, AXIOM, BrewLOGIC, BrewMETER, Brew Better Not Bitter, BrewWISE, BrewWIZARD, BUNN Espresso, BUNN Family Gourmet, BUNN Gourmet, BUNN Pour-O-Matic, BUNN, BUNN with the stylized red line, BUNNlink, Bunn-O-Matic, Bunn-O-Matic, BUNNserve, BUNNSERVE with the stylized wrench design, Cool Froth, DBC, Dr. Brew stylized Dr. design, Dual, Easy Pour, EasyClear, EasyGard, FlavorGard, Gourmet Ice, Gourmet Juice, High Intensity, iMIX, Infusion Series, Intellisteam, My Café, Phase Brew, PowerLogic, Quality Beverage Equipment Worldwide, Respect Earth, Respect Earth with the stylized leaf and coffee cherry design, Safety-Fresh, savemycoffee.com, Scale-Pro, Silver Series, Single, Smart Funnel, Smart Hopper, SmartWAVE, Soft Heat, SplashGard, The Mark of Quality in Beverage Equipment Worldwide, ThermoFresh, Titan, trifacta, TRIFECTA (stylized logo), Velocity Brew, Air Brew, Beverage Bar Creator, Beverage Profit Calculator, Brew better, not bitter., Build-A-Drink, BUNNsource, Coffee At Its Best, Cyclonic Heating System, Daypart, Digital Brewer Control, Element, Milk Texturing Fusion, Nothing Brews Like a BUNN, Picture Prompted Cleaning, Pouring Profits, Signature Series, Sure Tamp, Tea At Its Best, The Horizontal Red Line, Ultra are either trademarks or registered trademarks of Bunn-O-Matic Corporation. The commercial trifacta® brewer housing configuration is a trademark of Bunn-O-Matic Corporation.

# TABLE OF CONTENTS

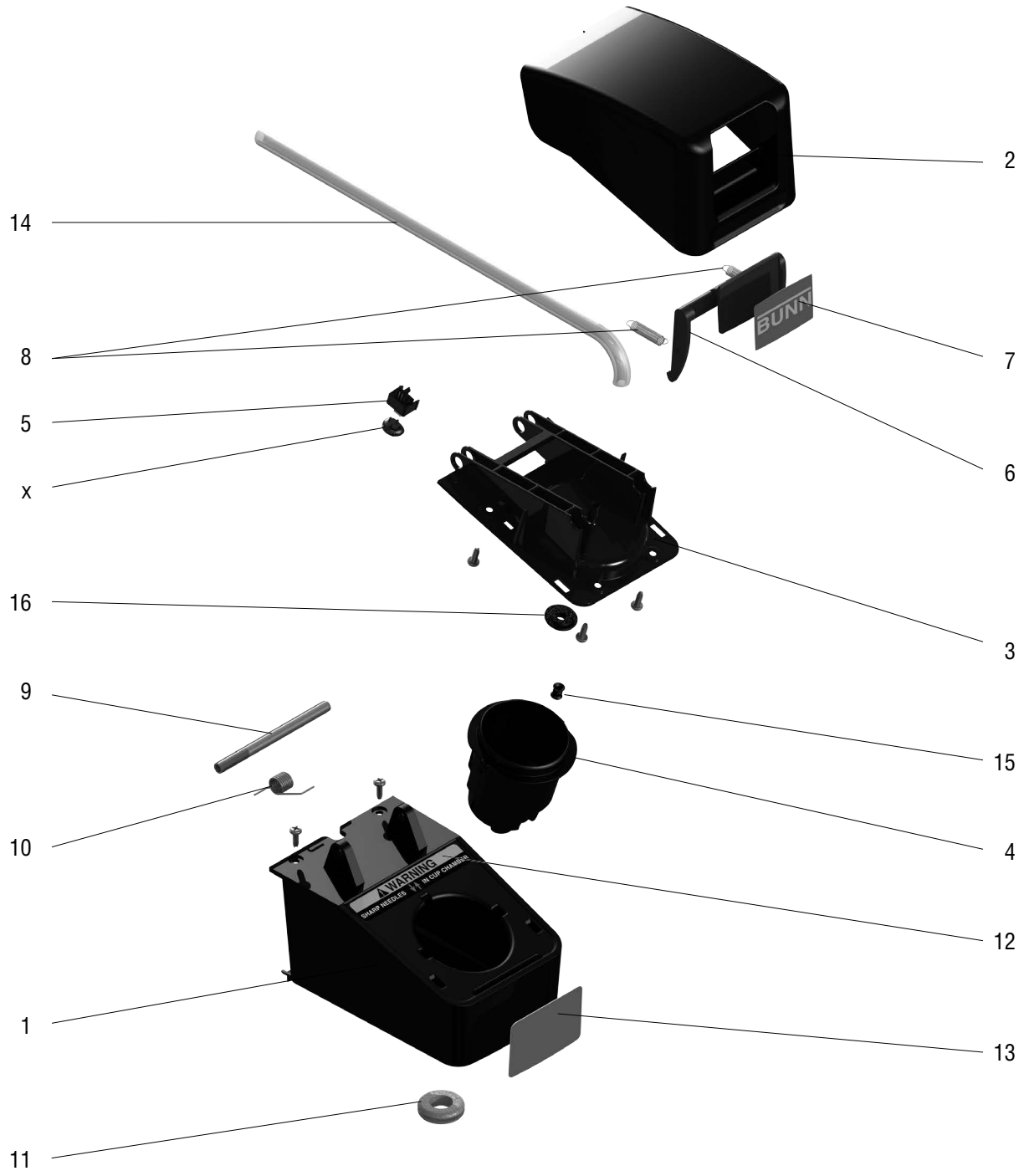
Reservoir Assembly .....	4
Brew Chamber Assembly .....	6
Base Components .....	8
Tank Components .....	10
Electrical Components .....	12
Numerical Index.....	16



## RESERVOIR ASSEMBLY

<b>ITEM</b>	<b>PART NO.</b>	<b>QTY.</b>	<b>DESCRIPTION</b>
1	47440.0001	1	Cover, Reservoir
2	47440.0000	1	Reservoir, Tank Body
3	48719.0000	1	Filter Screen
4	48477.0001	1	Magnet
5	47466.0000	1	Check valve
6	47440.1000	1	Reservoir Assembly, (Includes 1-5)

**\* Indicates the part number listed is for reference only. See DESCRIPTION for possible service replacement.**



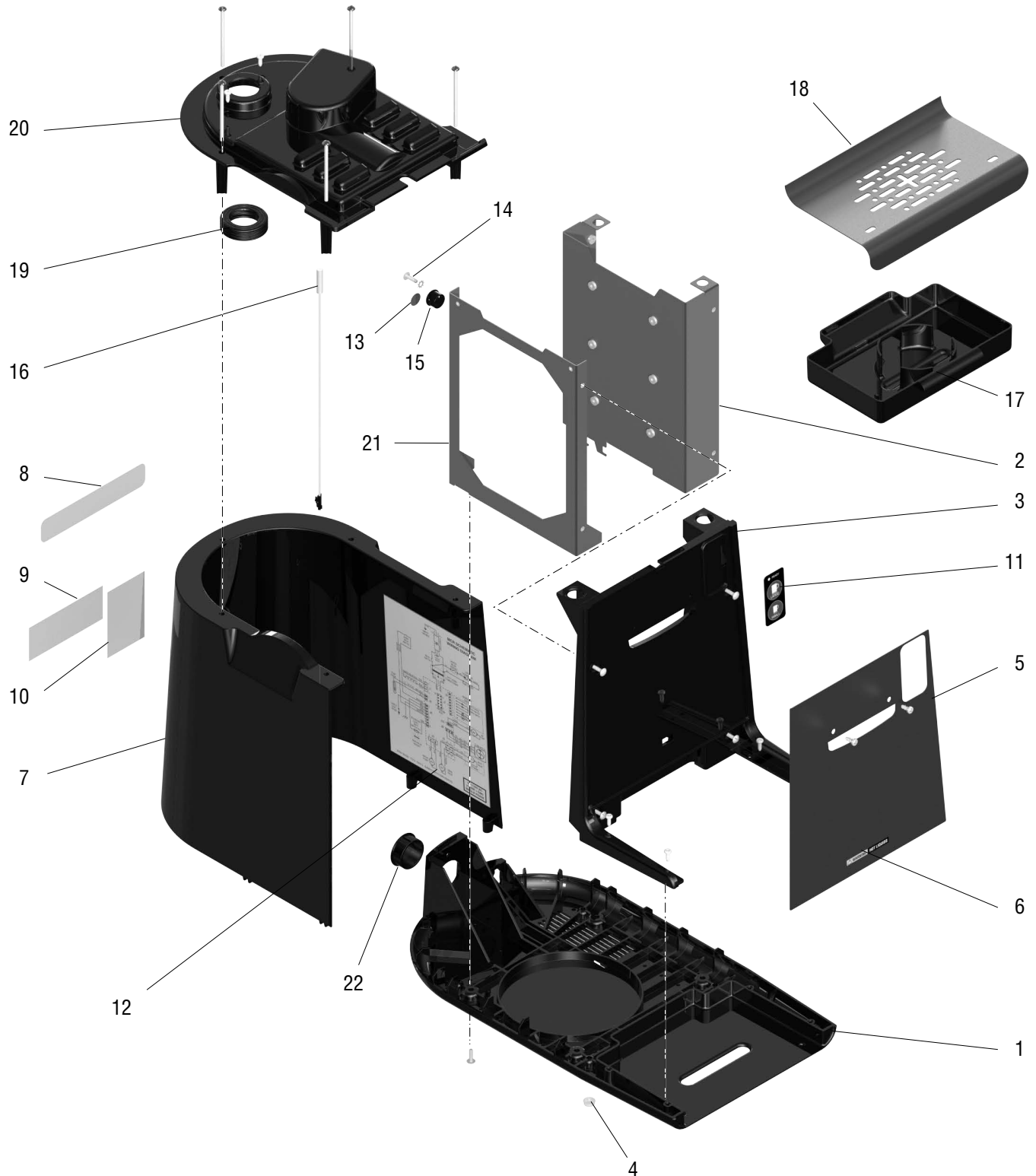
## BREW CHAMBER ASSEMBLY

ITEM	PART NO.	QTY.	DESCRIPTION
1	48294.1000	1	Housing, Brew Head w/Warning Decal
	44224.0000	2	Screw, PNH #6-20
2	47445.0001	1	Cover, Brew Head
3	47477.0002	1	Needle, Brew Head
	44224.0000	4	Screw, PNH #6-20
4	48903.0000	1	Holder, Cartridge
5	36536.1000	1	Switch, Snap Action
	48997.0000	1	Wiring Harness, Lid Switch to Main Harness
6	47456.0000	1	Latch, Brew Head
7	48801.0000	1	Name Plate
8	48828.0000	2	Spring
9	47450.0000	1	Pin
10	47449.0001	1	Torsion Spring, Bent
11	46552.0001	1	Grommet
12	49343.0001	1	Decal, Warning
13	48382.0000	1	Overlay
14		1	Tube 12", Refer to # 18, (cut as needed)
15	44846.0001	1	Seal, Lower
16	44847.0000	1	Seal, Upper
17	47308.0001	1	Plunger

**The following items are not illustrated**

18	42916.1000	1 Foot	Tube, Bulk
	42916.1001	3 Feet	Tube, Bulk
	42916.1002	10 Feet	Tube, Bulk
	42916.1004	250 Feet	Tube, Bulk
19	35783.0000	1	Delimiting Tool

\* Indicates the part number listed is for reference only. See DESCRIPTION for possible service replacement.

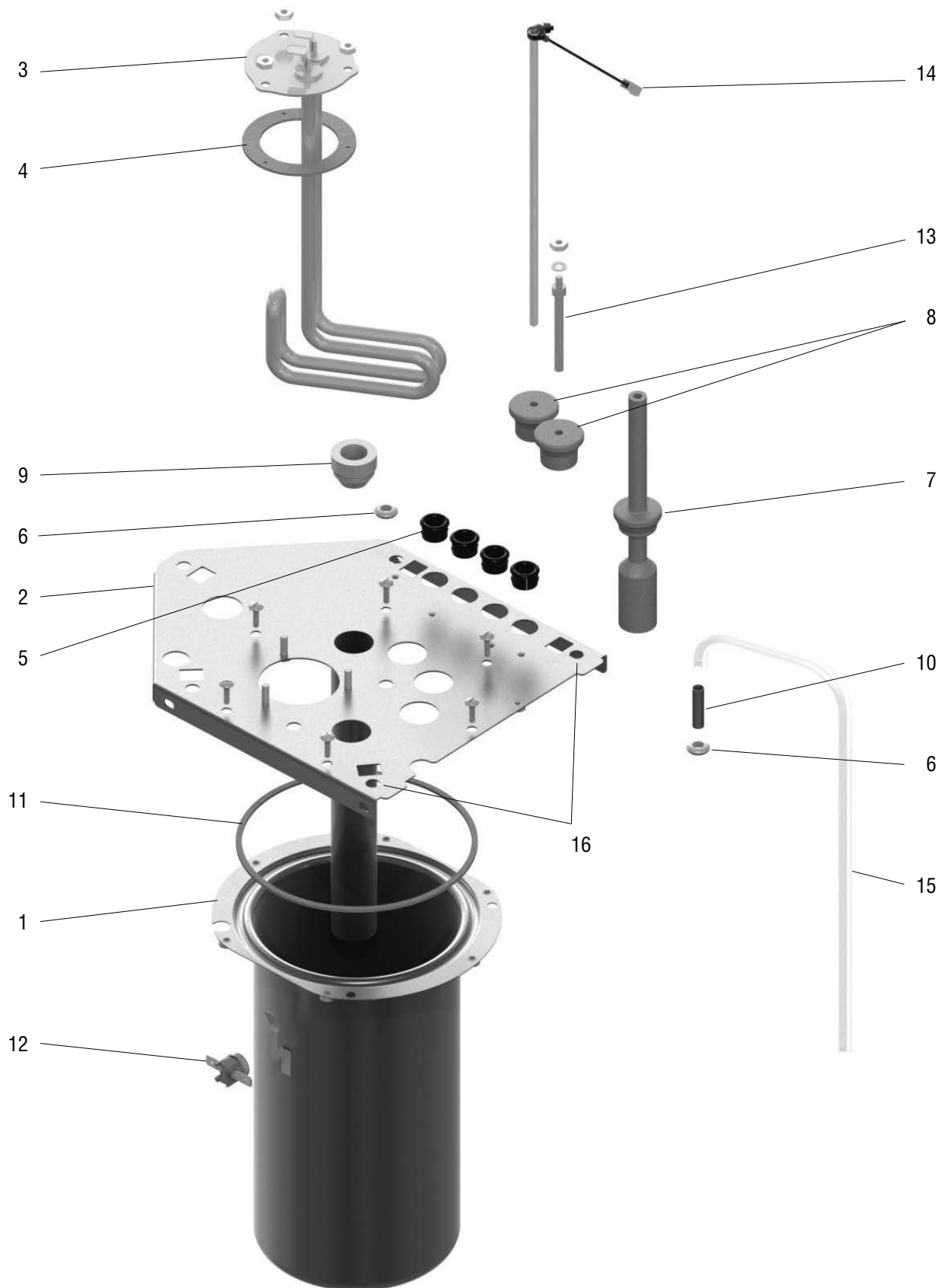




## BASE COMPONENTS

ITEM	PART NO.	QTY.	DESCRIPTION
1	47452.0001	1	Base
	01380.0000	4	Screw, SST SLTD TRH 6-32x.5"
	38810.0000	2	Insert, Brass 6-32
2	48730.1000	1	Bracket (Includes ground decal)
3	48596.0000	1	Housing, Front
	01380.0000	4	Screw, SST SLTD TRH 6-32x.5" (Bracket)
	44224.0000	4	Screw, SST PNH PHH 6-20x.375 (Base)
4	49114.0000	2	Foot
5	47444.1000	1	Panel w/Decal
	41103.0000	2	Screw, SST PNH PHH #8x.375
6	37280.0001	1	Decal, Warning
7	48286.1000	1	Housing, Trunk w/Decals (Does not include schematic)
8	37881.0002	1	Decal, No Serviceable Parts
9	00656.0001	1	Decal, Comply to Plumbing (Automatic Only)
10	00986.0002	1	Decal, Warning, Electrical
11	48377.0000	1	Switch, Membrane
12	49244.0000	1	Schematic
13	00824.0002	1	Decal, Ground
14	01380.0000	1	Screw, SST SLTD TRH 6-32x.5"
	01510.0000	1	Lockwasher
15	00614.0001	1	Bushing
16	49078.0000	1	Reed Switch Assembly
17	48306.0000	1	Drip Tray
18	47446.0000	1	Grate
19	48044.0000	1	Grommet
20	48292.0002	1	Top Cover
	01382.0006	7	Screw, SST SLTD TRH 6-32x2.375
21	48731.0100	1	Bracket
	01380.0000	1	Screw, SST SLTD TRH 6-32x.5"
22	25126.0000	1	Plug (Pour over Only)

\* Indicates the part number listed is for reference only. See DESCRIPTION for possible service replacement.



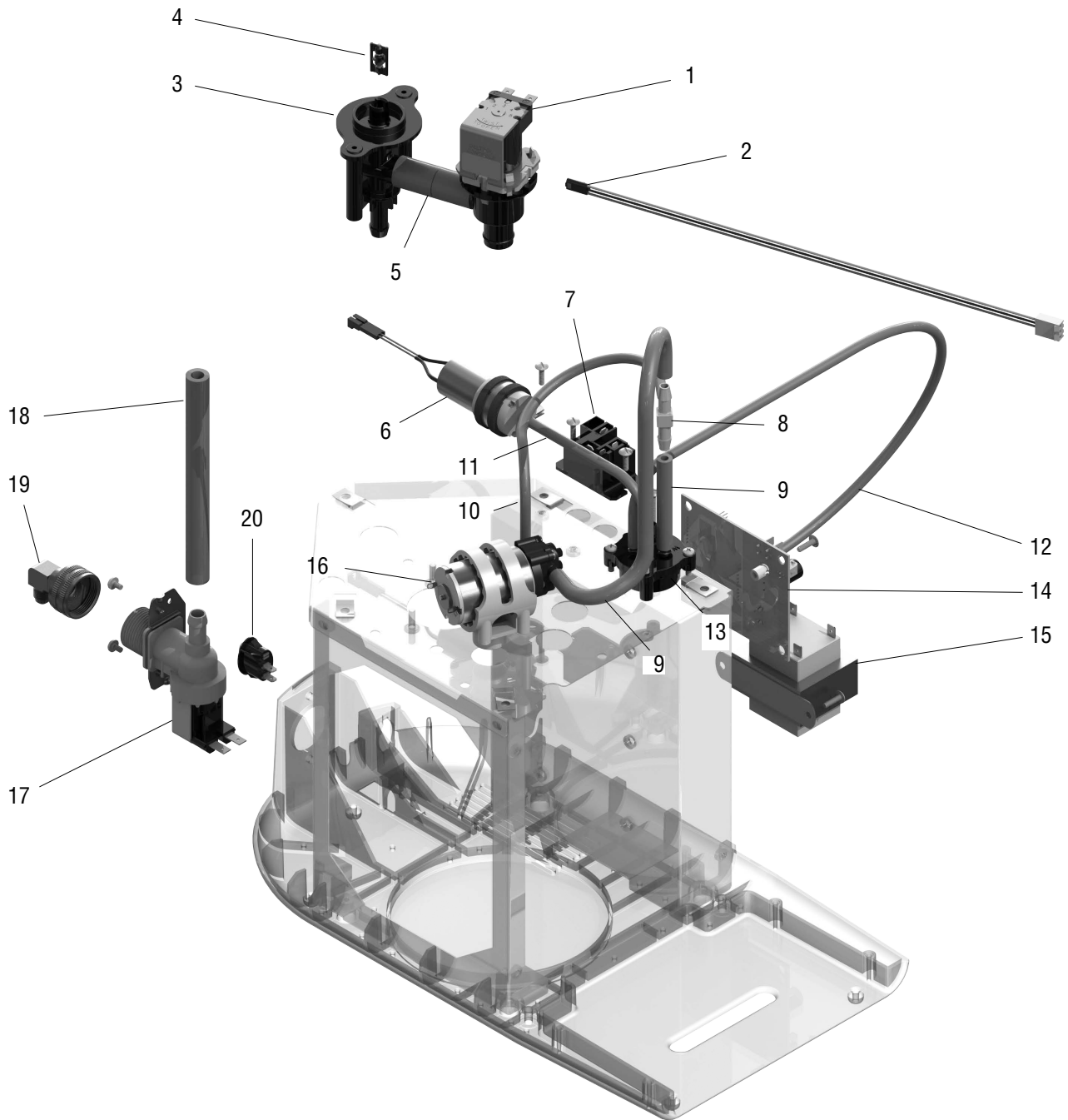
## TANK COMPONENTS

ITEM	PART NO.	QTY.	DESCRIPTION
1	47478.0000	1	Tank
2	47465.0000	1	Lid, Tank
3	48316.1001 00908.0000	1 3	Heater (Includes Gasket) Nuts, 8-32
4	39590.0000	1	Gasket
5	00614.0001	5	Bushing
6	12928.0000	2	Grommet,
7	44304.0001	1	Tube, Hot Water Pickup
8	33801.0003	1	Grommet, Probes
9	37970.0000	1	Grommet, Dispense Valve
10	21800.0015	1	Tube, SST
11	04844.0000	1	Gasket, Tank Lid
12	29329.1000	1	Thermostat, Limit
13	43468.0000 00908.0000 20203.0100	1 1 1	Probe, Level Nut, 8-32 Lock Washer
14	28891.1010	1	Probe, Temperature Sensor 10.5"
15		1	Tube 10.5", Refer to # 17, (cut as needed)
16	33698.0000	5	Nut, U Style

**The following items are not illustrated**

17	42916.1000	1 Foot	Tube, Bulk
	42916.1001	3 Feet	Tube, Bulk
	42916.1002	10 Feet	Tube, Bulk
	42916.1004	250 Feet	Tube, Bulk

\* Indicates the part number listed is for reference only. See DESCRIPTION for possible service replacement.



## ELECTRICAL

ITEM	PART NO.	QTY.	DESCRIPTION
1	47906.1000	1	Kit, Dump Valve
2	49049.0000	1	Sensor, Hall Effect
3	47464.0003	1	Coupling
4	48821.0000	1	Insert, Turbine
5		1	Tube, Silicone .625" x 2.0" (Order Item 34)
6	38316.0000	1	Air Pump
	40935.0000	1	Clamp
	01380.0000	1	Screw, TRH SLTD SST 6-32x.5"
7	40819.0000	1	Relay
8	42781.0000	1	Tee
9		2	Tube, Silicone .188" x 2.5" (Order Item 36) ("W" to Tee)
10		1	Tube, Silicone .125" x 8.5" (Order Item 35) (Tee to Tank)
11		1	Tube, Silicone .125" x 5.5" (Order Item 37) ("A" to Air Pump)
12		1	Tube, Silicone .125" x 20.0" (Order Item 37) ("T" to Transducer)
13	48050.0000	1	Check Valve
	01382.0008	2	Screw, TRH SLTD SST 6-32x1.0"
14	48338.1000	1	CBA
	29081.0005	4	Spacer
	01380.0000	4	Screw, TRH SLTD SST 6-32x.5"
15	48825.0000	1	Transformer
	01380.0000	2	Screw, TRH SLTD SST 6-32x.5"
16	48899.1001	1	Water Pump Assembly
	47462.0000	1	Saddle
17	36233.0029	1	Inlet Valve
	32283.0000	2	Screw, PNH SLTD SST M4x6MM
18		1	Tube, Silicone .313" x 5.75" (Order Item 33)
19	37297.0006	1	Elbow
20	36285.0000	1	Switch

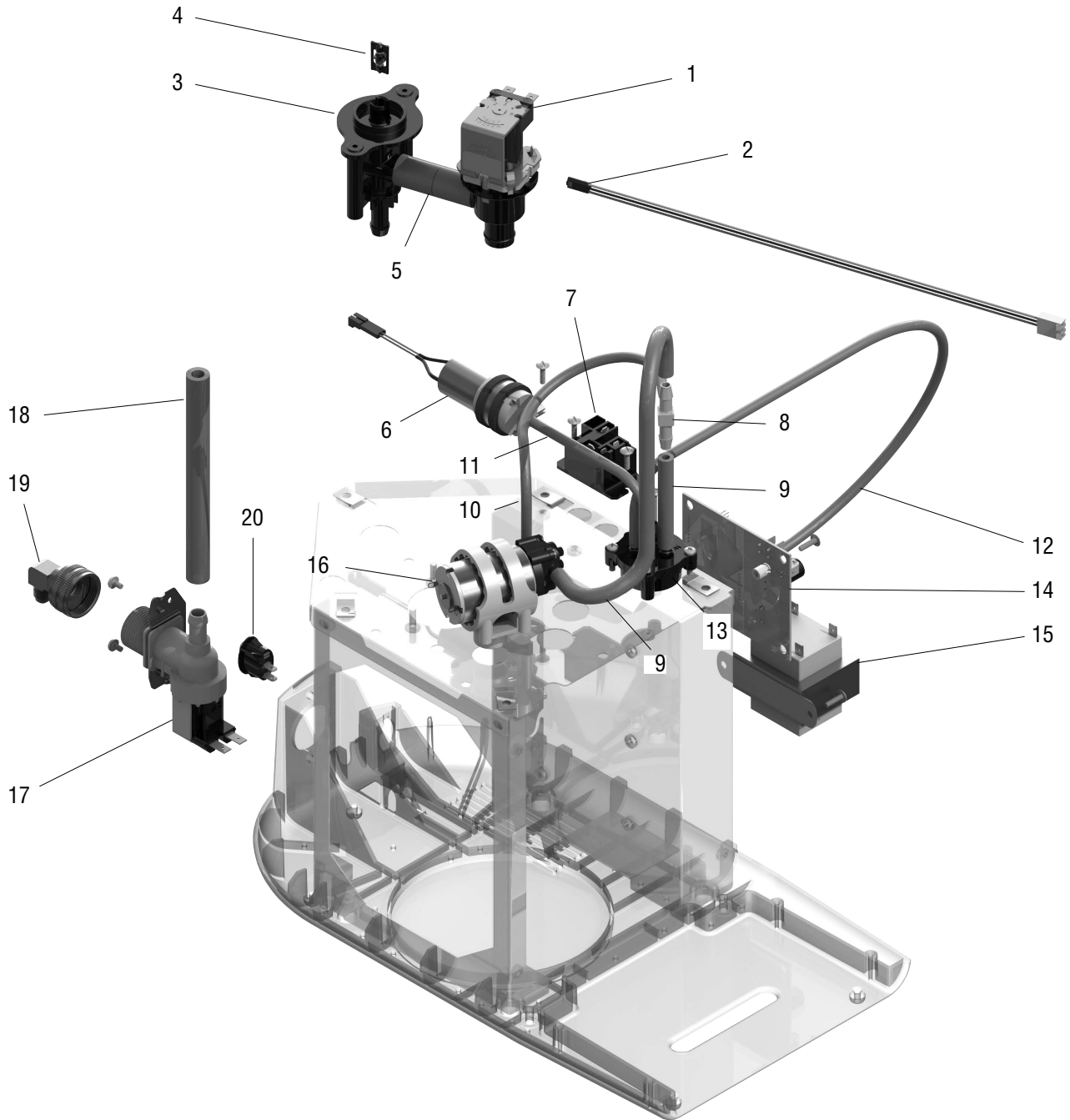
**The following items are not illustrated**

21	36381.0010	1	Power Cord 120VAC
22	48858.0000	1	Wiring Harness Transformer to CBA (Violet wires)

### CONTINUED

\* Indicates the part number listed is for reference only. See DESCRIPTION for possible service replacement.

**CONTINUED**



## ELECTRICAL

ITEM	PART NO.	QTY.	DESCRIPTION
23	48852.0000	1	Wiring Harness, TCO to Heater (BLU/BLK)
24	48857.0000	1	Wiring Harness, Relay to TCO (BLK)
25	48854.0000	1	Wiring Harness, Transformer to Relay (BLK)
26	48855.0000	1	Wiring Harness, Transformer to Heater (WHI)
27	48879.0000	1	Wiring Harness, CBA to Air Pump (ORN & BRN)
28	48860.0000	1	Wiring Harness, CBA to LL Probe/Switches
29	48856.0000	1	Wiring Harness, Transformer to Main Switch (BLK)
30	48851.0000	1	Wiring Harness, CBA to Relay (RED & BLK)
31	48997.0000	1	Wiring Harness, Lid Switch to 48860.0000 Harness (WHI/VIO)
32	48859.0000	1	Wiring Harness, CBA to Inlet Valve/Dump Valve
33	28526.1000	1 Foot	Tube, Bulk
	28526.1001	3 Feet	Tube, Bulk
	28526.1002	5 Feet	Tube, Bulk
	28526.1003	10 Feet	Tube, Bulk
	28526.1004	50 Feet	Tube, Bulk
34	36490.1000	1 Foot	Tube, Bulk
	36490.1001	3 Feet	Tube, Bulk
	36490.1002	10 Feet	Tube, Bulk
	36490.1004	250 Feet	Tube, Bulk
35	36630.1000	1 Foot	Tube, Bulk
	36630.1001	3 Feet	Tube, Bulk
	36630.1002	10 Feet	Tube, Bulk
36	42916.1000	1 Foot	Tube, Bulk
	42916.1001	3 Feet	Tube, Bulk
	42916.1002	10 Feet	Tube, Bulk
	42916.1004	250 Feet	Tube, Bulk
37	42918.1000	1 Foot	Tube, Bulk
	42918.1001	3 Feet	Tube, Bulk
	42918.1002	10 Feet	Tube, Bulk
	42918.1004	250 Feet	Tube, Bulk

\* Indicates the part number listed is for reference only. See DESCRIPTION for possible service replacement.

## NUMERICAL INDEX

PART NO.	PAGE NO.	PART NO.	PAGE NO.	PART NO.	PAGE NO.	PART NO.	PAGE NO.
00614.0001.....	9,11	42918.1002.....	15	48903.0000.....	7		
00656.0001.....	9	42918.1004.....	15	48997.0000.....	15		
00824.0002.....	9	43468.0000.....	11	48997.0000.....	7		
00908.0000.....	11	44224.0000.....	7,9	49049.0000.....	13		
00986.0002.....	9	44304.0001.....	11	49078.0000.....	9		
01382.0006.....	9	44846.0001.....	7	49114.0000.....	9		
01382.0008.....	13	44847.0000.....	7	49244.0000.....	9		
01510.0000.....	9	46552.0001.....	7	49343.0001.....	7		
04844.0000.....	11	47308.0001.....	7				
12928.0000.....	11	47440.0000.....	5				
20203.0100.....	11	47440.0001.....	5				
21800.0015.....	11	47440.1000.....	5				
25126.0000.....	9	47444.1000.....	9				
28526.1000.....	15	47445.0001.....	7				
28526.1001.....	15	47446.0000.....	9				
28526.1002.....	15	47449.0001.....	7				
28526.1003.....	15	47450.0000.....	7				
28526.1004.....	15	47452.0001.....	9				
28891.1010.....	11	47456.0000.....	7				
29081.0005.....	13	47462.0000.....	13				
29329.1000.....	11	47464.0003.....	13				
32283.0000.....	13	47465.0000.....	11				
33698.0000.....	11	47466.0000.....	5				
33801.0003.....	11	47477.0002.....	7				
35783.0000.....	7	47478.0000.....	11				
36233.0029.....	13	47906.1000.....	13				
36285.0000.....	13	48044.0000.....	9				
36381.0010.....	13	48050.0000.....	13				
36490.0001.....	13	48286.1000.....	9				
36490.1000.....	15	48292.0002.....	9				
36490.1001.....	15	48294.1000.....	7				
36490.1002.....	15	48306.0000.....	9				
36490.1004.....	15	48316.1001.....	11				
36536.1000.....	7	48338.1000.....	13				
36630.1000.....	15	48377.0000.....	9				
36630.1001.....	15	48382.0000.....	7				
36630.1002.....	15	48477.0001.....	5				
37280.0001.....	9	48596.0000.....	9				
37297.0006.....	13	48719.0000.....	5				
37881.0002.....	9	48730.1000.....	9				
37970.0000.....	11	48731.0100.....	9				
38316.0000.....	13	48801.0000.....	7				
38810.0000.....	9	48821.0000.....	13				
39590.0000.....	11	48825.0000.....	13				
40819.0000.....	13	48828.0000.....	7				
40935.0000.....	13	48851.0000.....	15				
41103.0000.....	9	48852.0000.....	15				
42781.0000.....	13	48854.0000.....	15				
42916.1000.....	11	48855.0000.....	15				
42916.1000.....	15	48856.0000.....	15				
42916.1000.....	7	48857.0000.....	15				
42916.1001.....	7,11,15	48858.0000.....	13				
42916.1002.....	7,11,15	48859.0000.....	15				
42916.1004.....	7,11,15	48860.0000.....	15				
42918.1000.....	15	48879.0000.....	15				
42918.1001.....	15	48899.1001.....	13				