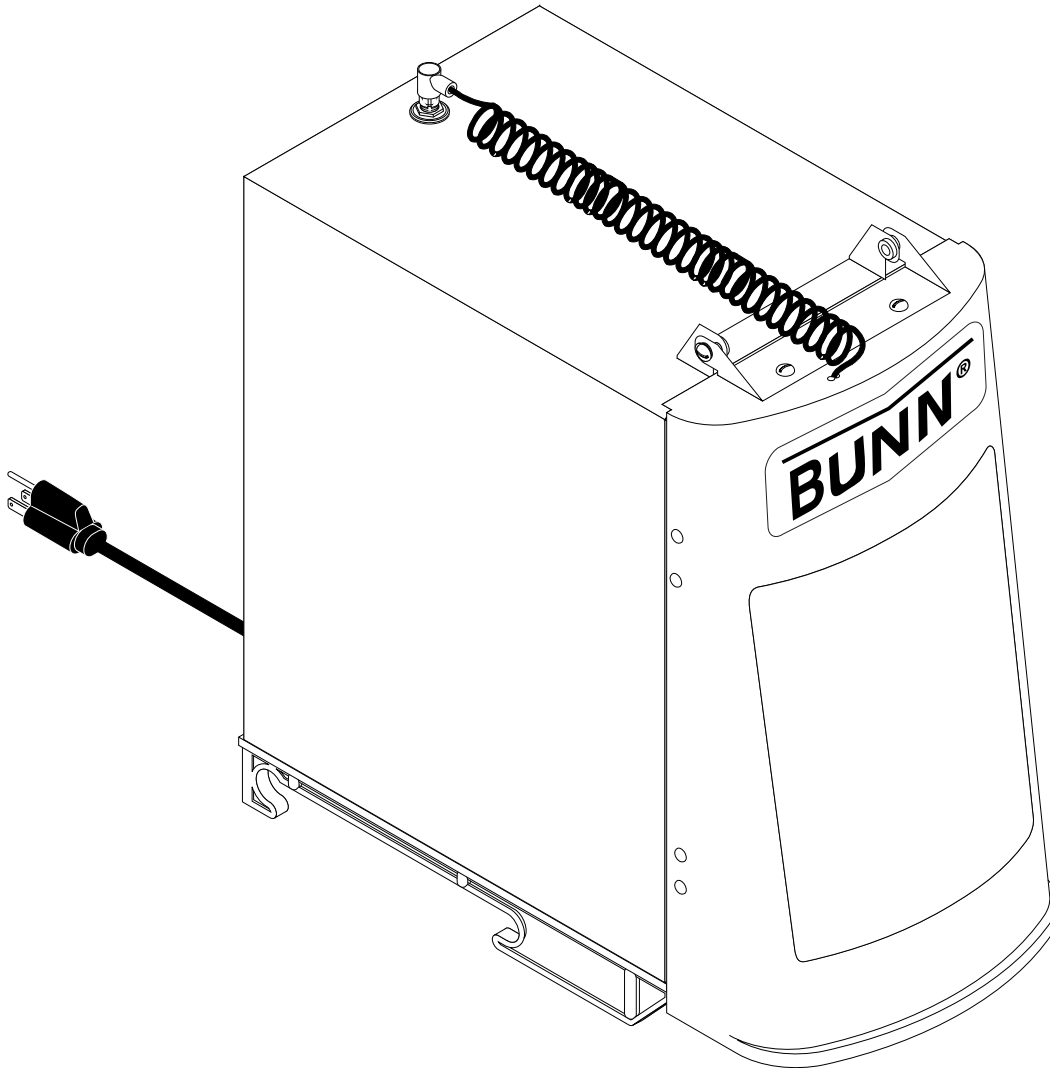


BUNN®

POWDER AUTO FILL



ILLUSTRATED PARTS CATALOG

Designs, materials, weights, specifications, and dimensions for equipment or replacement parts are subject to change without notice.

BUNN-O-MATIC CORPORATION

POST OFFICE BOX 3227

SPRINGFIELD, ILLINOIS 62708-3227

PHONE: (217) 529-6601 FAX: (217) 529-6644



BUNN-O-MATIC COMMERCIAL PRODUCT WARRANTY

Bunn-O-Matic Corp. ("BUNN") warrants equipment manufactured by it as follows:

- 1) Airpots, thermal carafes, decanters, GPR servers, iced tea/coffee dispensers, MCP/MCA pod brewers thermal servers and Thermofresh servers (mechanical and digital)- 1 year parts and 1 year labor.
- 2) All other equipment - 2 years parts and 1 year labor plus added warranties as specified below:
 - a) Electronic circuit and/or control boards - parts and labor for 3 years.
 - b) Compressors on refrigeration equipment - 5 years parts and 1 year labor.
 - c) Grinding burrs on coffee grinding equipment to grind coffee to meet original factory screen sieve analysis - parts and labor for 4 years or 40,000 pounds of coffee, whichever comes first.

These warranty periods run from the date of installation BUNN warrants that the equipment manufactured by it will be commercially free of defects in material and workmanship existing at the time of manufacture and appearing within the applicable warranty period. This warranty does not apply to any equipment, component or part that was not manufactured by BUNN or that, in BUNN's judgment, has been affected by misuse, neglect, alteration, improper installation or operation, improper maintenance or repair, non periodic cleaning and descaling, equipment failures related to poor water quality, damage or casualty. In addition, the warranty does not apply to replacement of items subject to normal use including but not limited to user replaceable parts such as seals and gaskets. This warranty is conditioned on the Buyer 1) giving BUNN prompt notice of any claim to be made under this warranty by telephone at (217) 529-6601 or by writing to Post Office Box 3227, Springfield, Illinois 62708-3227; 2) if requested by BUNN, shipping the defective equipment prepaid to an authorized BUNN service location; and 3) receiving prior authorization from BUNN that the defective equipment is under warranty.

THE FOREGOING WARRANTY IS EXCLUSIVE AND IS IN LIEU OF ANY OTHER WARRANTY, WRITTEN OR ORAL, EXPRESS OR IMPLIED, INCLUDING, BUT NOT LIMITED TO, ANY IMPLIED WARRANTY OF EITHER MERCHANTABILITY OR FITNESS FOR A PARTICULAR PURPOSE. The agents, dealers or employees of BUNN are not authorized to make modifications to this warranty or to make additional warranties that are binding on BUNN. Accordingly, statements by such individuals, whether oral or written, do not constitute warranties and should not be relied upon.

If BUNN determines in its sole discretion that the equipment does not conform to the warranty, BUNN, at its exclusive option while the equipment is under warranty, shall either 1) provide at no charge replacement parts and/or labor (during the applicable parts and labor warranty periods specified above) to repair the defective components, provided that this repair is done by a BUNN Authorized Service Representative; or 2) shall replace the equipment or refund the purchase price for the equipment.

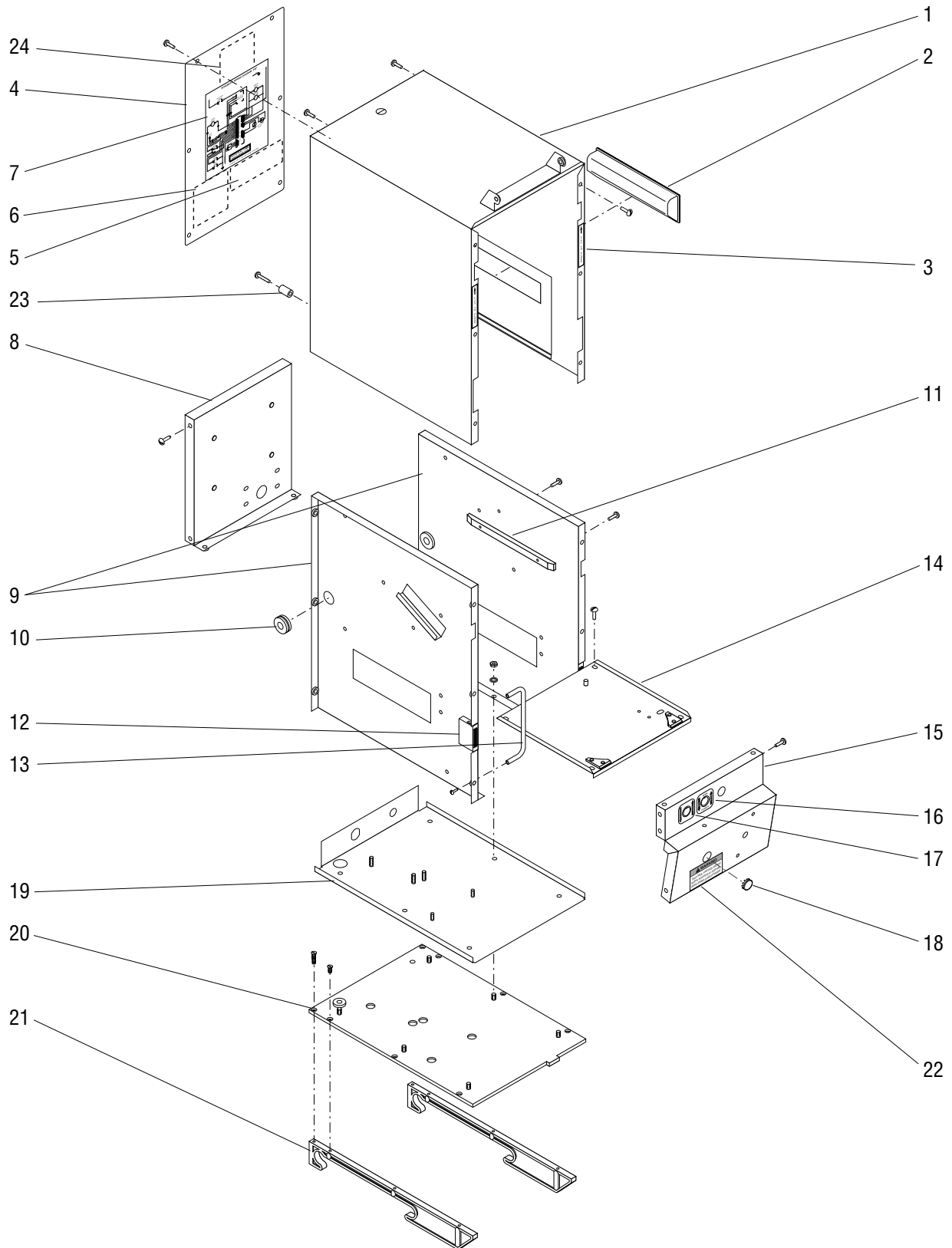
THE BUYER'S REMEDY AGAINST BUNN FOR THE BREACH OF ANY OBLIGATION ARISING OUT OF THE SALE OF THIS EQUIPMENT, WHETHER DERIVED FROM WARRANTY OR OTHERWISE, SHALL BE LIMITED, AT BUNN'S SOLE OPTION AS SPECIFIED HEREIN, TO REPAIR, REPLACEMENT OR REFUND.

In no event shall BUNN be liable for any other damage or loss, including, but not limited to, lost profits, lost sales, loss of use of equipment, claims of Buyer's customers, cost of capital, cost of down time, cost of substitute equipment, facilities or services, or any other special, incidental or consequential damages.

392, A Partner You Can Count On, Air Infusion, AutoPOD, AXIOM, BrewLOGIC, BrewMETER, Brew Better Not Bitter, BrewWISE, BrewWIZARD, BUNN Espresso, BUNN Family Gourmet, BUNN Gourmet, BUNN Pour-O-Matic, BUNN, BUNN with the stylized red line, BUNNlink, Bunn-O-Matic, Bunn-O-Matic, BUNNserve, BUNNSERVE with the stylized wrench design, Cool Froth, DBC, Dr. Brew stylized Dr. design, Dual, Easy Pour, EasyClear, EasyGard, FlavorGard, Gourmet Ice, Gourmet Juice, High Intensity, iMIX, Infusion Series, Intellisteam, My Café, Phase Brew, PowerLogic, Quality Beverage Equipment Worldwide, Respect Earth, Respect Earth with the stylized leaf and coffee cherry design, Safety-Fresh, savemycoffee.com, Scale-Pro, Silver Series, Single, Smart Funnel, Smart Hopper, SmartWAVE, Soft Heat, SplashGard, The Mark of Quality in Beverage Equipment Worldwide, ThermoFresh, Titan, trifacta, Velocity Brew, Air Brew, Beverage Bar Creator, Beverage Profit Calculator, Brew better, not bitter., BUNNSource, Coffee At Its Best, Cyclonic Heating System, Daypart, Digital Brewer Control, Element, Milk Texturing Fusion, Nothing Brews Like a BUNN, Pouring Profits, Signature Series, Sure Tamp, Tea At Its Best, The Horizontal Red Line, Ultra are either trademarks or registered trademarks of Bunn-O-Matic Corporation. The commercial trifacta® brewer housing configuration is a trademark of Bunn-O-Matic Corporation.

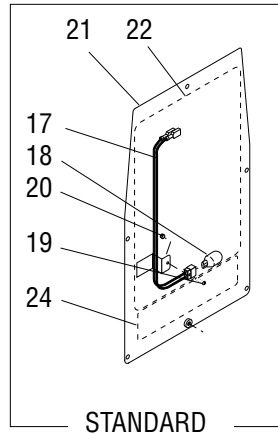
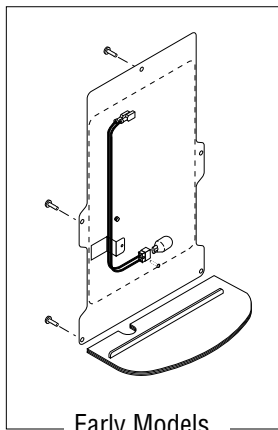
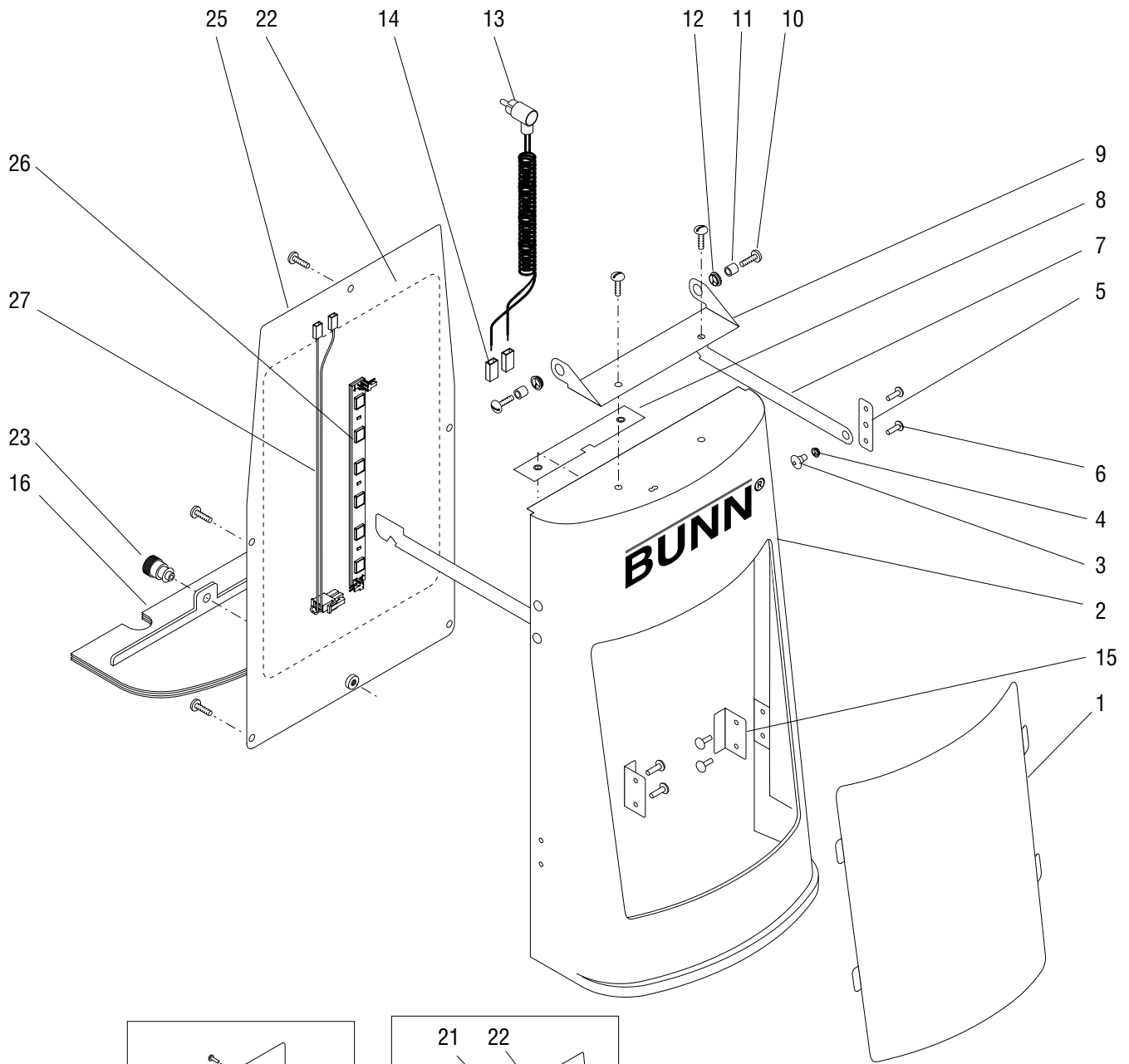
TABLE OF CONTENTS

AUGER DRIVE and HOPPER ASSEMBLY	8
DOOR ASSEMBLY	6
ELECTRICAL CONTROLS	14
HOUSING and PANELS	4
NUMERICAL INDEX	18
SOLENOID, REGULATOR and LINES.....	12
WHIPPER CHAMBER and DRIVE MOTOR.....	10



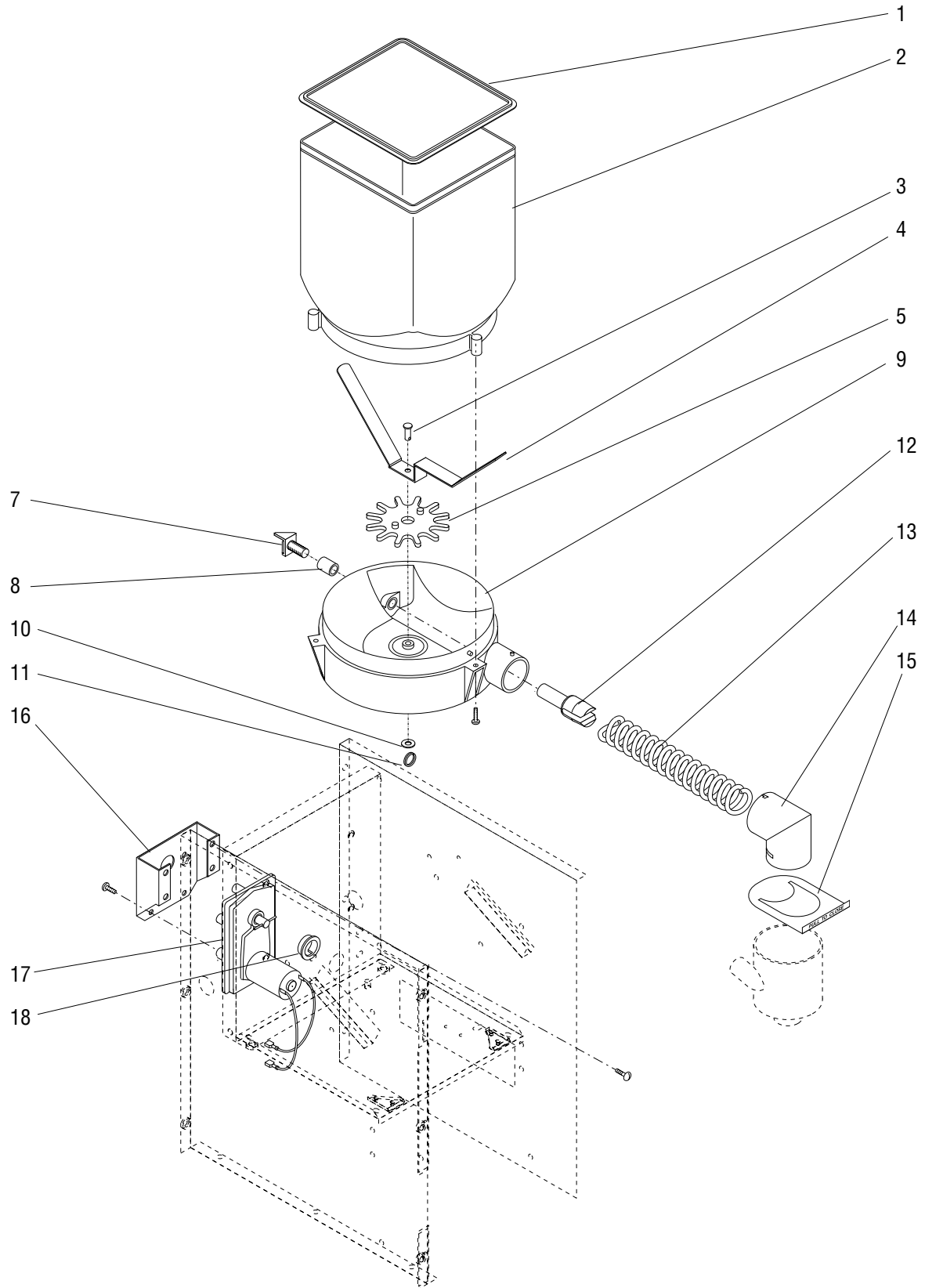
HOUSING AND PANELS

ITEM	PART NO.	QTY.	DESCRIPTION
1	29595.1000	1	Cover-SST, Top (Includes item 2 & 3)
	29595.1001	1	Cover-BLK, Top (Includes item 2 & 3)
	01311.0000	5	Screw, Truss Head-SST #8-32 x .25"
	01311.0003	5	Screw, Truss Head-BLK #8-32 x .25"
	01318.0000	6	Screw, Round Head #8-32 x .50"
2	21434.0000	1	Handle, Snap-in
3	29808.0000	2	Decal, LIFT TO CLOSE (Black Letters)
	29808.0001	2	Decal, LIFT TO CLOSE (White Letters)
4	29592.1002	1	Panel-SST w/Decals (Includes items 5-7 & 24)
	29592.1003	1	Panel-BLK w/Decals (Includes items 5-7 & 24)
	01311.0000	6	Screw, Truss Head-SST #8-32 x .25"
	01311.0003	6	Screw, Truss Head-BLK #8-32 x .25"
5	00656.0001	1	Decal, COMPLIANCE TO PLUMBING
6	00986.0000	1	Decal, WARNING-ELECTRICAL
7	29780.0002	1	Schematic, Electrical
8	29604.0000	1	Panel, Hopper Motor Mounting
	01311.0001	4	Screw, Truss Head, Locking #8-32 x .25"
9	29608.0000	1	Panel, Right Side
	29608.0001	1	Panel, Left Side
	00910.0000	6	Nut, Hex #10-32
	01532.0002	6	Lockwasher, Int.-tooth
10	02536.0000	2	Grommet
11	29721.0000	2	Guide, Hopper
	01393.0000	4	Screw, Truss Head #6 x .25"
12	25899.0000	2	Catch, Magnet
13	23954.0000	1	Handle
	02308.0000	2	Screw, Pan Head #8-32 x .38"
14	29765.1000	1	Panel Assy.
	01311.0000	4	Screw, Truss Head #8-32 x .25"
15	29606.0000	1	Panel (Includes item 22)(Also order items 16-18)
	01311.0001	6	Screw, Truss Head, Locking #8-32 x .25"
16	29788.0000*	1	Decal, Main Power ON/OFF
	29788.0001*	1	Decal, Main Power ON/OFF (Models w/Water Bypass)
17	29787.0000*	1	Decal, TEST/SERVICE
18	00619.0007	1	Plug, Hole
19	29610.0000	1	Panel, Bottom-SST (120V)
	29610.0001	1	Panel, Bottom-BLK (120V)
	29610.0002*	1	Panel, Bottom-SST (230V)
	29610.0003	1	Panel, Bottom-BLK (230V)
20	29617.0002	1	Plate, Base-WHT
	29617.0003	1	Plate, Base-BLK
21	29618.0002	2	Rail, Support - WHT
	29618.0003	2	Rail, Support - BLK
	44646.0001	4	Screw, Pan Head, Plascrew #6 x .60"
	44646.0002	4	Screw, Pan Head #6 x .38"
22	34561.0000*	2	Decal, Warning PAF Lock
23	01533.0006	1	Spacer
	01320.0000	1	Screw #8-32 x 1.0" } Late Models
	00991.0000	1	Nut }
24	37881.0000	1	Decal, No Moving Parts



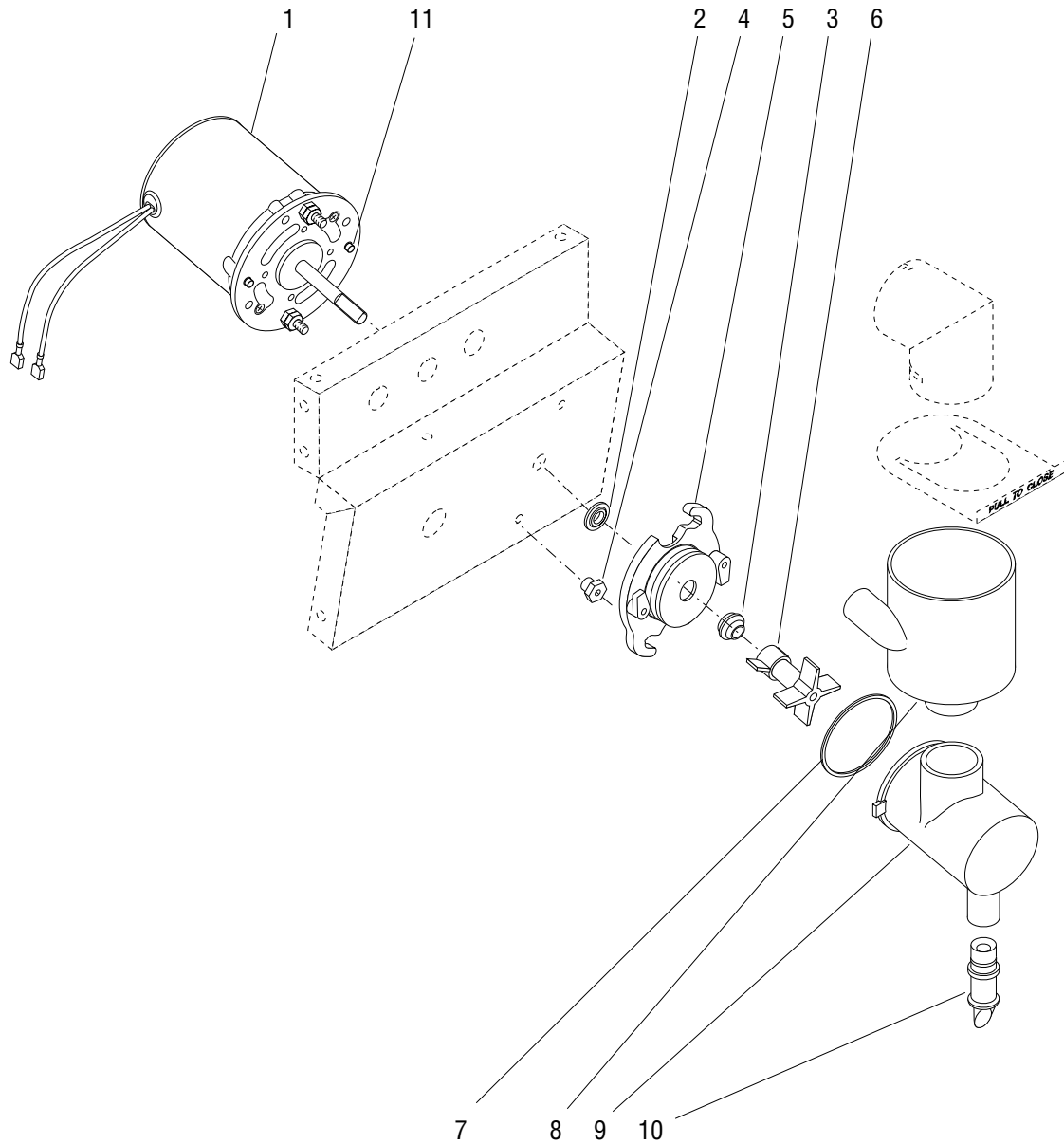
DOOR ASSEMBLY

ITEM	PART NO.	QTY.	DESCRIPTION
-	29785.0002	1	Door Assembly-WHT (Includes items 2-22)
	29785.0003	1	Door Assembly-BLK (Includes items 2-22)
	-----	1	Door Assenbly w/ LED Lights
1	29677.0002	1	Display, Graphics
	29677.0003	1	Display, Clear
2	29647.0000*	1	Cover-WHT
	29647.0003*	1	Cover-BLK
3	29735.0000*	2	Rivet
4	26033.0002	2	Bearing
5	29775.0000	2	Plate
6	29781.0000*	2	Rivet
7	29770.0000	2	Arm, Support
8	29777.0000	1	Strap, Mounting
9	29776.0000	1	Hinge-SST
	29776.0001	1	Hinge-BLK
	01315.0000	2	Screw, Truss Head-SST #8-32 x .38"
	01315.0005	2	Screw, Truss Head-BLK #8-32 x .38"
10	01317.0004	2	Screw, Truss Head, Locking #8-32 x .62"
	01317.0006	2	Screw, Truss Head-BLK #8-32 x .62"
11	29738.0000	2	Spacer, Brass
12	26033.0003	2	Bearing
13	32267.1000	1	Lamp Cord
14	01578.0000*	1	Terminal (Smooth Side Wire)
	01594.0000*	1	Terminal (Ribbed Side Wire)
15	29774.0000	2	Strike, Magnet
	29781.0000	4	Rivet
16	39296.0000	1	Window, Door (Early Models)
	34240.1000	1	Window, Door (Includes item 23)(Late Models)
17	29813.0000	1	Holder, Lamp
18	27446.0000	1	Lamp
19	27448.0000	1	Screw #2-56 x .50"
20	27447.0000	1	Nut #2-56
21	39271.0001	1	Cover, Rear (Also order item 22)
	01383.0001	5	Screw, Pan Head #6-32 x .38"
22	29678.0000	1	Decal, CLEANING & MAINTENANCE
23	34241.0000	1	Screw, Captive (Late Models)
24	29980.0000	1	Decal, Lamp Replacement
25	42429.0000*	1	Cover (Also order item 22)(Models w/ LED Lights)
	01383.0001	5	Screw, Pan Head #6-32 x .38"
26	42593.0000	1	Circuit Board Assy., LED (Models w/ LED Lights)
27	42688.0000	1	Wiring Harness (Models w/ LED Lights)



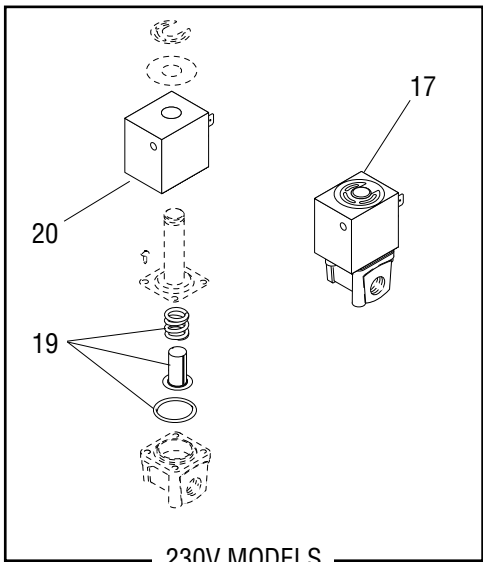
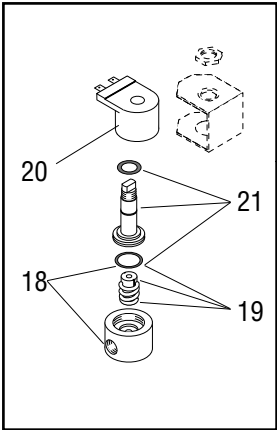
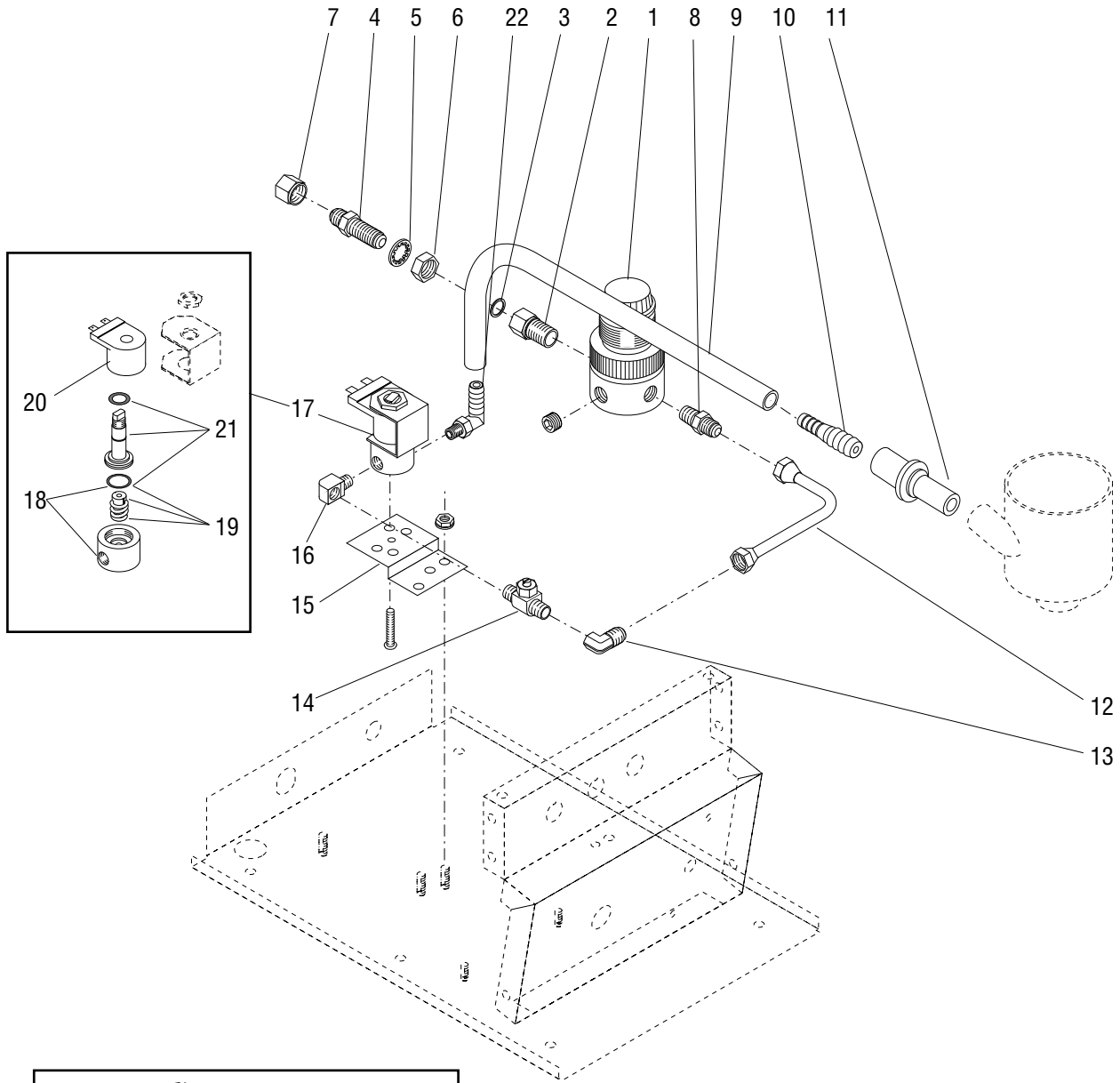
AUGER DRIVE & HOPPER ASSEMBLY

ITEM	PART NO.	QTY.	DESCRIPTION
1	29614.0000	1	Lid, Hopper
2	28698.0001	1	Hopper
	20377.0001	3	Screw #4-20 x .50"
3	21357.0000	1	Shaft
4	21747.0001	1	Blade, Wiper
5	21746.0000	1	Gear
7	32383.0000	1	Bracket
8	25892.0000	1	Spacer
9	21465.0002	1	Base
10	01522.0000	1	Washer
11	29799.0000	1	Pin, Circular
12	26940.0003	1	Shaft, Drive
	45543.0000	1	Shaft, Drive SST
13	21355.0000	1	Auger
14	25903.0001	1	Elbow
15	29715.0000	1	Gate
16	25794.0001	1	Bracket
	01311.0000	4	Screw, Truss Head #8-32 x .25"
	01511.0000	1	Lockwasher, Ext.-tooth #8
17	29642.1001	1	Gearmotor
	01311.0001	4	Screw, Truss Head, Locking #8-32 x .25"
18	26401.0000	1	Dust Seal



WHIPPER CHAMBER & DRIVE MOTOR

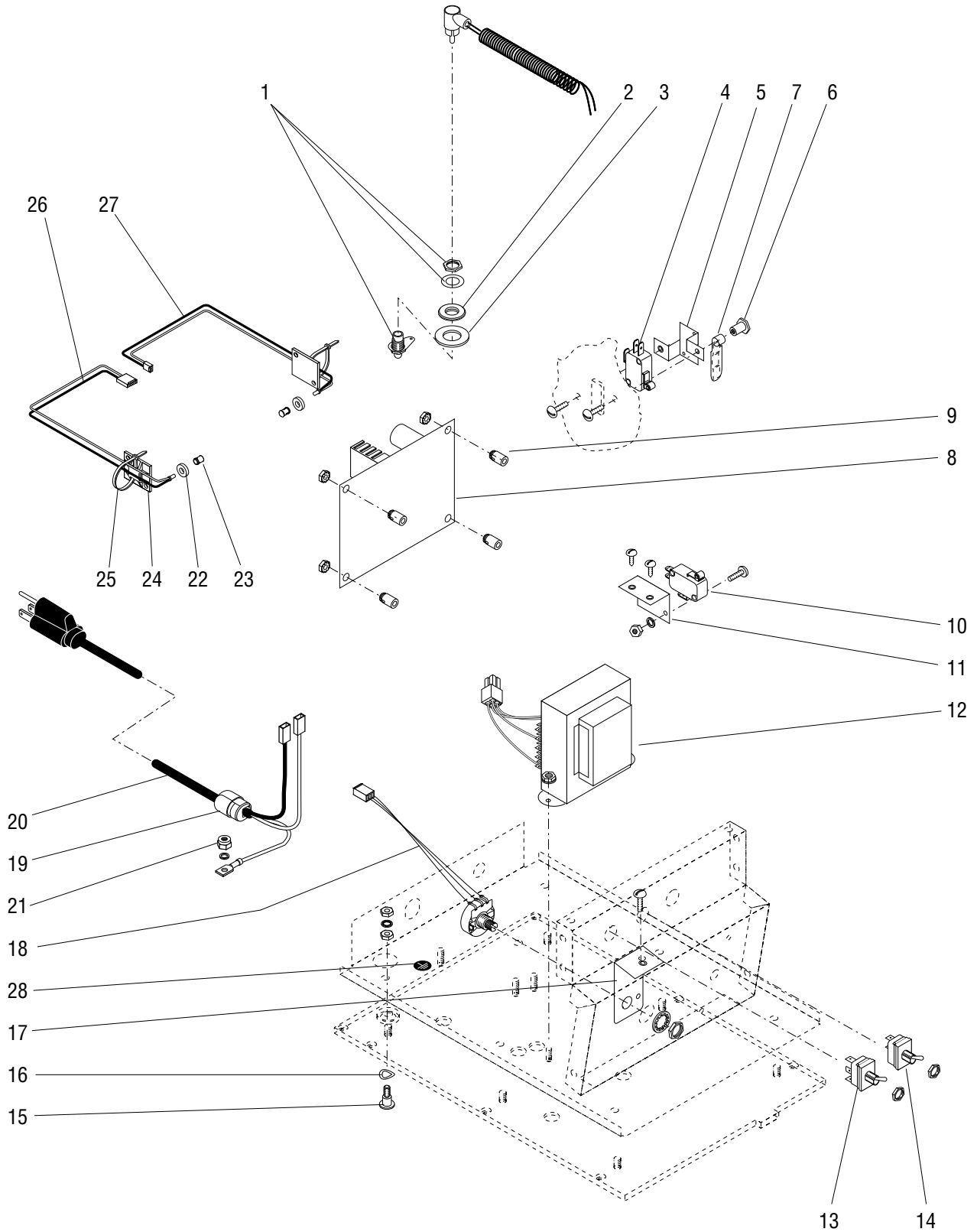
ITEM	PART NO.	QTY.	DESCRIPTION
1	28428.1000	1	Motor, Whipper (120V Models)(Includes item 11)
	28428.1002	1	Motor, Whipper (230V Models)(Includes item 11)
2	28867.0000	1	Slinger
3	26356.0000	1	Seal
	26356.1000	-	Kit, Seal (Includes 6 Seals)
4	28865.0000	2	Nut
5	28866.0000	1	Receptacle
6	25902.0000	1	Frother
7	24733.0010	1	O-ring
8	25733.0001	1	Mixing Chamber
9	25734.0000	1	Whipping Chamber
10	25736.0000	1	Dispense Tip
11	32306.0000	2	Spacer



SOLENOID, REGULATOR & LINES

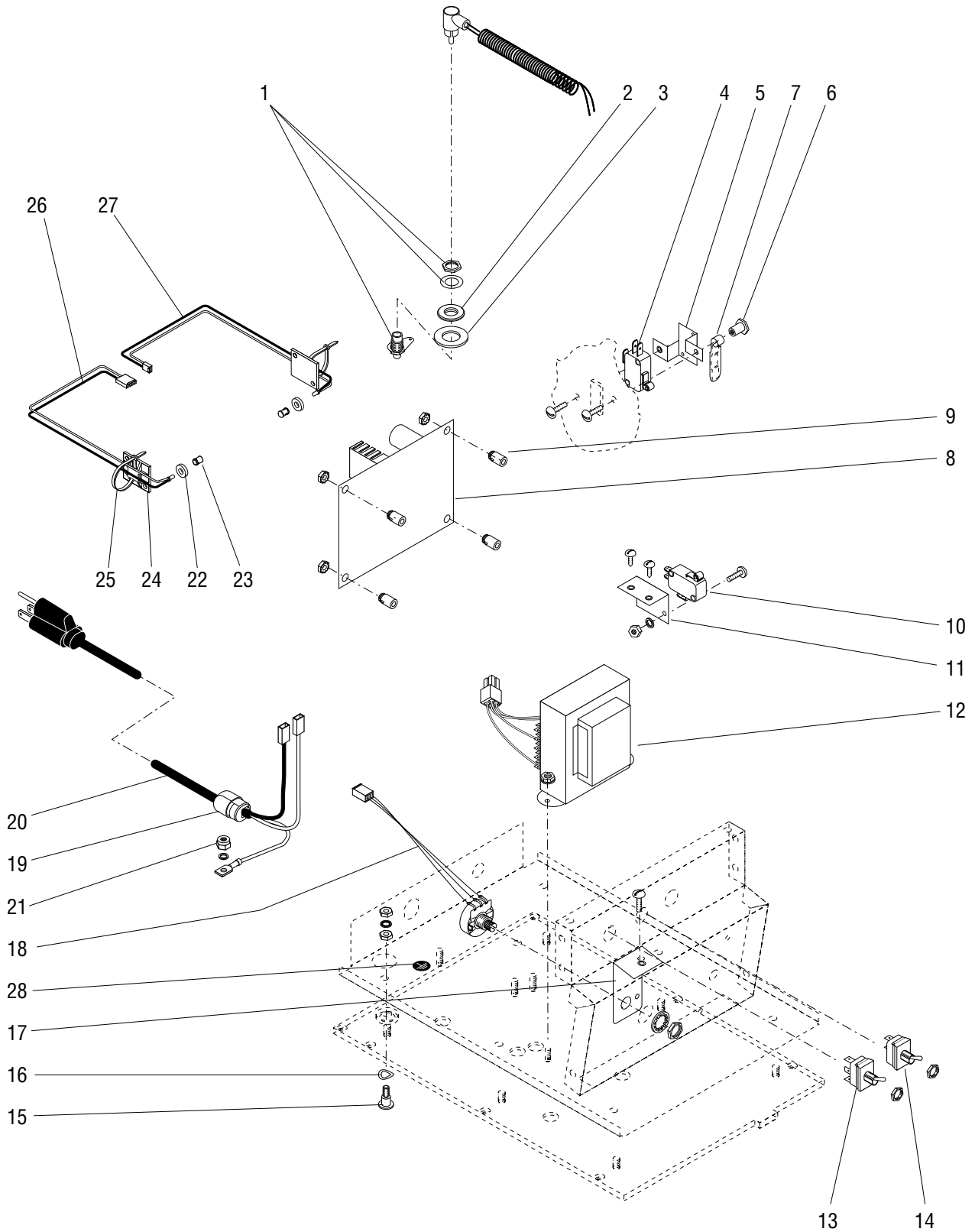
ITEM	PART NO.	QTY.	DESCRIPTION
1	29802.1000	1	Regulator Assy (Includes items 2 and 8)
	00462.0001	2	Plug .125" MPT
2	00472.1001	1	Adaptor .25" FFir x .25" MPT
3	24684.0000	1	Washer
4	00459.0000	1	Fitting, Bulkhead
5	01532.0000	1	Lockwasher, Int. Tooth .438"
6	00463.0000	1	Nut, Hex .438"-20
7	00935.0000	1	Cap (For shipping purposes only)
8	00403.0002	1	Connector .25"Flr x .25" MPT
9	11707.0020*	1	Hose, Silicone .25"ID x 7.25" (Order item 23)
10	26443.0000	1	Reducer, Nylon Barb .38" x .25"
11	25803.0000	1	Water Inlet, Mixing Chamber
12	00310.0007	1	Tube
13	00456.0001	1	Elbow .25" FFir x .125" FPT
14	21634.0002	1	Needle Valve .125" MPT
	07441.0000	1	Bracket
15	00970.0000	2	Nut, KEPS #8-32"
	00432.0001	1	Elbow .125" Male-Female
17	01085.0002	1	Valve, Solenoid (120V Models)(Includes items 18 - 22)
	28005.0000	1	Valve, Solenoid (230V Models)(Includes items 19 & 20)
	02331.0000	2	Screw, Truss Head #10-32 x .38" (120V Models)
	02308.0000	2	Screw, Pan Head #8-32 x .38" (230V Models)
18	28479.0000	1	Base kit (Includes O-ring)
19	01111.0002	1	Valve Repair Kit (120V Models)(Includes Plunger, Spring and O-ring)
	28021.0000	1	Valve Repair Kit (230V Models)
20	28480.0000	1	Valve Coil, 120V
	28020.0000	1	Valve Coil, 230V
21	28481.0000	1	Guide Kit (Includes Washer and O-ring)
22	29743.0000	1	Elbow, Nylon .125" NPT x .25" Barb
23	11707.1000	-	Hose, Silicone .25"ID x 12.0" (Use as required)
	11707.1001	-	Hose, Silicone .25"ID x 36.0" (Use as required)
	11707.1002	-	Hose, Silicone .25"ID x 120.0" (Use as required)
-	29831.0000	-	Valve Assy (Includes items 13-17 & 22)

} Not Illustrated



ELECTRICAL CONTROLS

ITEM	PART NO.	QTY.	DESCRIPTION
1	27643.1000	1	Connector Assy, Lamp Cord (Models with Bulb Lamp)
	27643.1002	1	Connector Assy, Lamp Cord (Models with LED Lamp)
2	29739.0000	1	Washer, Shoulder
3	29740.0000	1	Washer, Insulating
4	25977.0000	1	Switch, Roller
5	29772.0000	1	Bracket, Switch Mounting
	01303.0000	2	Screw, Pan Head w/Serr #4-40 x .50"
	01521.0000	1	Washer, Flat .15" ID x .38" OD
6	32072.0000	1	Bushing, Shoulder
7	32100.0000	1	Actuator Assy.
8	29683.1001	1	Control Board (Standard Models)
	42226.1004	1	Control Board (Models with LED Lamp)
	42226.1005	1	Control Board (Models with Delayed Refill)
	00973.0000	4	Nut, KEPS #6-32
9	29081.0002	4	Spacer
10	25977.0000	1	Switch, Roller
	01304.0000	2	Screw, Pan Head #4-40 x .75"
	01508.0000	2	Lockwasher #4
	00937.0000	2	Nut, KEPS #4-40
11	29767.0000	1	Bracket
	01308.0000	2	Screw, Truss Head #6-32 x .25"
12	28860.0000	1	Transformer (120V Models)
	28860.0002*	1	Transformer (230V Models)
	00973.0000	2	Nut, KEPS #6-32
13	28856.1000	1	Switch, Toggle TEST/SERVICE
14	02686.0000	1	Switch, Toggle ON/OFF (120V Models)
	28004.0000	1	Switch, Toggle ON/OFF (230V Models)
	28857.1000	1	Switch, Toggle ON/OFF (Models w/Water Bypass)
15	29714.0000	1	Pin, Level Contact
	00908.0000	2	Nut, Hex #8-32
	20203.0100	1	Lockwasher, Int.-tooth #8
16	29749.0000	1	Spring, Contact
17	29790.0000	1	Bracket
	01311.0001	1	Screw, Truss Head, Locking #8-32 x .25"
18	29110.0001	1	Potentiometer (Includes Lockwasher and Nut)
19	00707.0000	1	Bushing, Strain Relief (120V Models)
	05746.1000	1	Bushing, Strain Relief (230V Models)
20	20630.0006	1	Power Cord (120V Models)
	32201.1000	1	Power Cord (230V Models)



ELECTRICAL CONTROLS

ITEM	PART NO.	QTY.	DESCRIPTION
21	00991.0000	1	Nut, Elastic Lock #8-32
	01519.0000	1	Lockwasher, Split
22	29746.0000	2	Spacer
23	29745.0000	2	Lens
24	22749.0001	2	Pad, Cable Tie
25	00617.0000	2	Cable Tie
26	29761.0000	1	Photo Transistor
27	29762.0000	1	Photo LED
28	00824.0002	1	Decal, Grounding Location
29	29760.0000	1	Harness, Main (Standard Models)(Not illustrated)
	29760.0001	1	Harness, Main (Models with LED Lamp)(Not illustrated)
30	21004.0281	1	Lead, 3.0" GRN (230V Models)(Not Illustrated)
31	42783.0000	1	Harness, Switch (Models w/Water Bypass)

NUMERICAL INDEX

PART NO.	PAGE NO.	PART NO.	PAGE NO.	PART NO.	PAGE NO.	PART NO.	PAGE NO.
00310.0007.....	13	11707.0020.....	13	28860.0000.....	15	29776.0001.....	7
00403.0002.....	13	11707.1000.....	13	28860.0002.....	15	29777.0000.....	7
00432.0001.....	13	11707.1001.....	13	28865.0000.....	11	29780.0002.....	5
00456.0001.....	13	11707.1002.....	13	28866.0000.....	11	29781.0000.....	7
00459.0000.....	13	20203.0100.....	15	28867.0000.....	11	29785.0002.....	7
00462.0001.....	13	20377.0001.....	9	29081.0002.....	15	29785.0003.....	7
00463.0000.....	13	20630.0006.....	15	29110.0001.....	15	29787.0000.....	5
00472.1001.....	13	21004.0281.....	17	29592.1002.....	5	29788.0000.....	5
00617.0000.....	17	21355.0000.....	9	29592.1003.....	5	29788.0001.....	5
00619.0007.....	5	21357.0000.....	9	29595.1000.....	5	29790.0000.....	15
00656.0001.....	5	21434.0000.....	5	29595.1001.....	5	29799.0000.....	9
00707.0000.....	15	21465.0002.....	9	29604.0000.....	5	29802.1000.....	13
00824.0002.....	17	21634.0002.....	13	29606.0000.....	5	29808.0000.....	5
00908.0000.....	15	21746.0000.....	9	29608.0000.....	5	29813.0000.....	7
00910.0000.....	5	21747.0001.....	9	29608.0001.....	5	29831.0000.....	13
00935.0000.....	13	22749.0001.....	17	29610.0000.....	5	29980.0000.....	7
00937.0000.....	15	23954.0000.....	5	29610.0001.....	5	32072.0000.....	15
00970.0000.....	13	24684.0000.....	13	29610.0002.....	5	32100.0000.....	15
00973.0000.....	15	24733.0010.....	11	29610.0003.....	5	32201.1000.....	15
00986.0000.....	5	25733.0001.....	11	29614.0000.....	9	32267.1000.....	7
00991.0000.....	5,17	25734.0000.....	11	29617.0002.....	5	32306.0000.....	11
01085.0002.....	13	25736.0000.....	11	29617.0003.....	5	34240.1000.....	7
01111.0002.....	13	25794.0001.....	9	29618.0002.....	5	34241.0000.....	7
01304.0000.....	15	25803.0000.....	13	29618.0003.....	5	34561.0000.....	5
01308.0000.....	15	25892.0000.....	9	29642.1001.....	9	39296.0000.....	7
01303.0000.....	15	25899.0000.....	5	29647.0000.....	7	32383.0000.....	9
01311.0000.....	5,9,15	25902.0000.....	11	29647.0003.....	7	37881.0000.....	5
01311.0001.....	5,9	25903.0001.....	9	29677.0002.....	7	39271.0001.....	7
01311.0003.....	5	25977.0000.....	15	29677.0003.....	7	42226.1004.....	15
01315.0000.....	7	26033.0002.....	7	29678.0000.....	7	42226.1005.....	15
01315.0005.....	7	26033.0003.....	7	29683.1001.....	15	42429.0000.....	7
01317.0004.....	7	26356.0000.....	11	29714.0000.....	15	42593.0000.....	7
01317.0006.....	7	26356.1000.....	11	29715.0000.....	9	42688.0001.....	7
01318.0000.....	5	26401.0000.....	9	29721.0000.....	5	42783.0000.....	17
01320.0000.....	5	26443.0000.....	13	29735.0000.....	7	44646.0001.....	5
01383.0001.....	7	26940.0003.....	9	29738.0000.....	7	44646.0002.....	5
01393.0000.....	5	27446.0000.....	7	29739.0000.....	15	45543.0000.....	9
01508.0000.....	15	27447.0000.....	7	29740.0000.....	15		
01511.0000.....	9	27448.0000.....	3	29743.0000.....	13		
01519.0000.....	17	27643.1000.....	15	29745.0000.....	17		
01521.0000.....	15	27643.1002.....	15	29746.0000.....	17		
01522.0000.....	9	28004.0000.....	13	29749.0000.....	15		
01532.0000.....	13	28005.0000.....	13	29760.0000.....	17		
01532.0002.....	5	28020.0000.....	13	29760.0001.....	17		
01533.0006.....	5	28021.0000.....	13	29761.0000.....	17		
01578.0000.....	7	28428.1000.....	11	29762.0000.....	17		
01594.0000.....	7	28428.1002.....	11	29765.1000.....	5		
02308.0000.....	5,13	28479.0000.....	13	29767.0000.....	15		
02331.0000.....	13	28480.0000.....	13	29770.0000.....	7		
02536.0000.....	5	28481.0000.....	13	29772.0000.....	15		
02686.0000.....	15	28698.0001.....	9	29774.0000.....	7		
05746.1000.....	15	28856.1000.....	15	29775.0000.....	7		
07441.0000.....	13	28857.1000.....	15	29776.0000.....	7		