



refresh®



# ILLUSTRATED PARTS CATALOG

Designs, materials, weights, specifications, and dimensions for equipment or replacement parts are subject to change without notice.

## BUNN-O-MATIC CORPORATION

POST OFFICE BOX 3227  
SPRINGFIELD, ILLINOIS 62708-3227  
PHONE: (217) 529-6601 FAX: (217) 529-6644

To ensure you have the latest revision of the Operating Manual, Illustrated Parts Catalog, Programming Manual, or Service Manual, please visit the Bunn-O-Matic website, at [www.bunn.com](http://www.bunn.com). This is absolutely FREE, and the quickest way to obtain the latest catalog and manual updates. For Technical Service, contact Bunn-O-Matic Corporation at 1-800-286-6070.



## BUNN-O-MATIC COMMERCIAL PRODUCT WARRANTY

Bunn-O-Matic Corp. ("BUNN") warrants equipment manufactured by it as follows:

- 1) Airpots, thermal carafes, decanters, GPR servers, iced tea/coffee dispensers, MCR/MCP/MCA single cup brewers, thermal servers and ThermoFresh® servers (mechanical and digital) 1 year parts and 1 year labor.
- 2) All other equipment - 2 years parts and 1 year labor plus added warranties as specified below:
  - a) Electronic circuit and/or control boards - parts and labor for 3 years.
  - b) Compressors on refrigeration equipment - 5 years parts and 1 year labor.
  - c) Grinding burrs on coffee grinding equipment to grind coffee to meet original factory screen sieve analysis - parts and labor for 4 years or 40,000 pounds of coffee, whichever comes first.

These warranty periods run from the date of installation BUNN warrants that the equipment manufactured by it will be commercially free of defects in material and workmanship existing at the time of manufacture and appearing within the applicable warranty period. This warranty does not apply to any equipment, component or part that was not manufactured by BUNN or that, in BUNN's judgment, has been affected by misuse, neglect, alteration, improper installation or operation, improper maintenance or repair, non periodic cleaning and descaling, equipment failures related to poor water quality, damage or casualty. In addition, the warranty does not apply to replacement of items subject to normal use including but not limited to user replaceable parts such as seals and gaskets. This warranty is conditioned on the Buyer 1) giving BUNN prompt notice of any claim to be made under this warranty by telephone at (217) 529-6601 or by writing to Post Office Box 3227, Springfield, Illinois 62708-3227; 2) if requested by BUNN, shipping the defective equipment prepaid to an authorized BUNN service location; and 3) receiving prior authorization from BUNN that the defective equipment is under warranty.

**THE FOREGOING WARRANTY IS EXCLUSIVE AND IS IN LIEU OF ANY OTHER WARRANTY, WRITTEN OR ORAL, EXPRESS OR IMPLIED, INCLUDING, BUT NOT LIMITED TO, ANY IMPLIED WARRANTY OF EITHER MERCHANTABILITY OR FITNESS FOR A PARTICULAR PURPOSE.** The agents, dealers or employees of BUNN are not authorized to make modifications to this warranty or to make additional warranties that are binding on BUNN. Accordingly, statements by such individuals, whether oral or written, do not constitute warranties and should not be relied upon.

If BUNN determines in its sole discretion that the equipment does not conform to the warranty, BUNN, at its exclusive option while the equipment is under warranty, shall either 1) provide at no charge replacement parts and/or labor (during the applicable parts and labor warranty periods specified above) to repair the defective components, provided that this repair is done by a BUNN Authorized Service Representative; or 2) shall replace the equipment or refund the purchase price for the equipment.

**THE BUYER'S REMEDY AGAINST BUNN FOR THE BREACH OF ANY OBLIGATION ARISING OUT OF THE SALE OF THIS EQUIPMENT, WHETHER DERIVED FROM WARRANTY OR OTHERWISE, SHALL BE LIMITED, AT BUNN'S SOLE OPTION AS SPECIFIED HEREIN, TO REPAIR, REPLACEMENT OR REFUND.**

In no event shall BUNN be liable for any other damage or loss, including, but not limited to, lost profits, lost sales, loss of use of equipment, claims of Buyer's customers, cost of capital, cost of down time, cost of substitute equipment, facilities or services, or any other special, incidental or consequential damages.

392, A Partner You Can Count On, Air Infusion, AutoPOD, AXIOM, BrewLOGIC, BrewMETER, Brew Better Not Bitter, BrewWISE, BrewWIZARD, BUNN Espresso, BUNN Family Gourmet, BUNN Gourmet, BUNN Pour-O-Matic, BUNN, BUNN with the stylized red line, BUNNlink, Bunn-O-Matic, Bunn-O-Matic, BUNNserve, BUNNSERVE with the stylized wrench design, Cool Froth, DBC, Dr. Brew stylized Dr. design, Dual, Easy Pour, EasyClear, EasyGard, FlavorGard, Gourmet Ice, Gourmet Juice, High Intensity, iMIX, Infusion Series, Intellisteam, My Café, Phase Brew, PowerLogic, Quality Beverage Equipment Worldwide, Respect Earth, Respect Earth with the stylized leaf and coffee cherry design, Safety-Fresh, savemycoffee.com, Scale-Pro, Silver Series, Single, Smart Funnel, Smart Hopper, SmartWAVE, Soft Heat, SplashGard, The Mark of Quality in Beverage Equipment Worldwide, ThermoFresh, Titan, trifacta, TRIFECTA (stylized logo), Velocity Brew, Air Brew, Beverage Bar Creator, Beverage Profit Calculator, Brew better, not bitter., Build-A-Drink, BUNNsource, Coffee At Its Best, Cyclonic Heating System, Daypart, Digital Brewer Control, Element, Milk Texturing Fusion, Nothing Brews Like a BUNN, Picture Prompted Cleaning, Pouring Profits, Signature Series, Sure Tamp, Tea At Its Best, The Horizontal Red Line, Ultra are either trademarks or registered trademarks of Bunn-O-Matic Corporation. The commercial trifacta® brewer housing configuration is a trademark of Bunn-O-Matic Corporation.

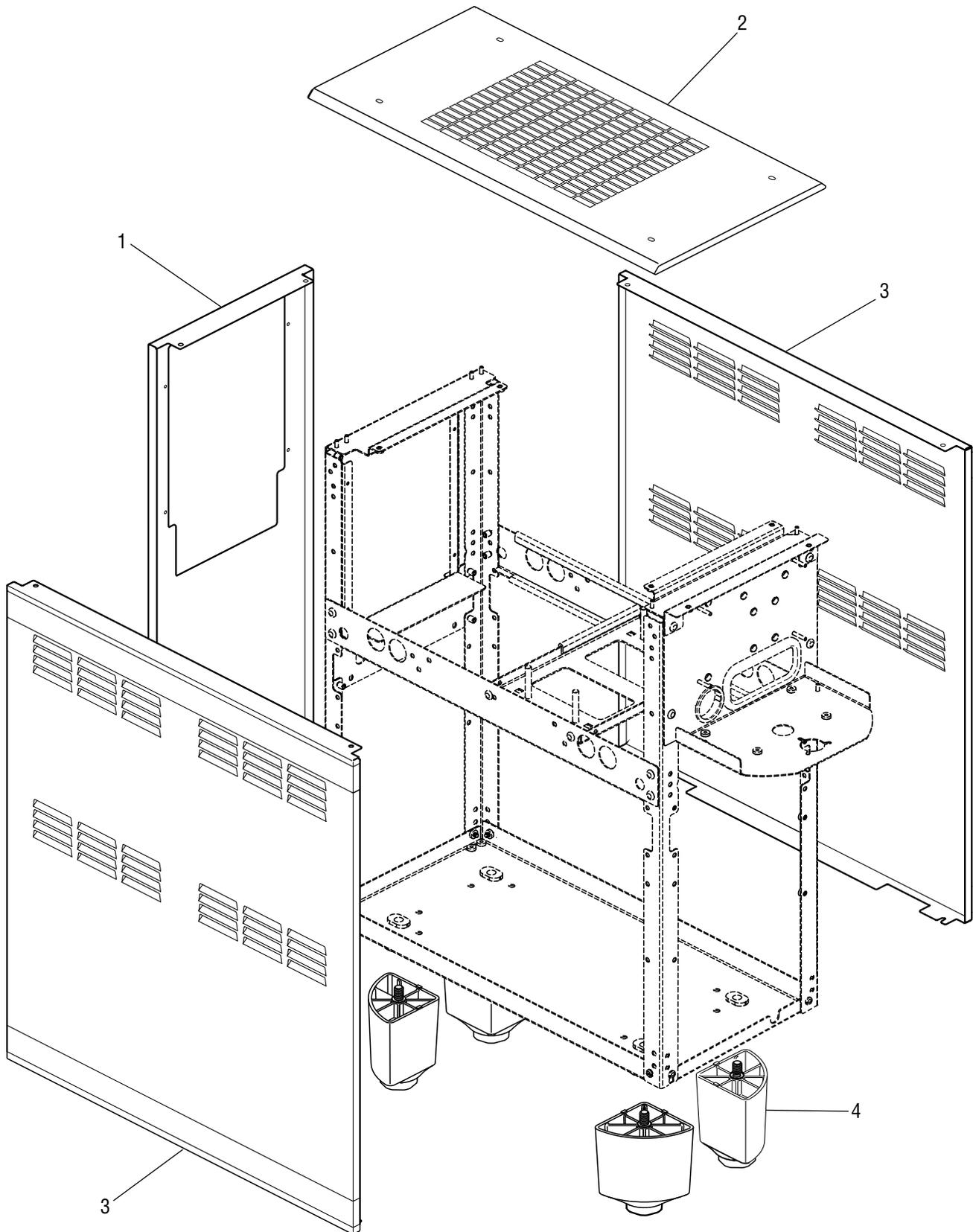
# TABLE OF CONTENTS

EXTERIOR COMPONENTS & DECALS.....	4
DOOR ASSEMBLY COMPONENTS .....	10
INTERIOR DECALS .....	12
REFRIGERATION COMPONENTS .....	14
WATER TANK PUMP COMPONENTS.....	20
CIRCULATING PUMP COMPONENTS.....	22
WATER TANK ASSEMBLY COMPONENTS.....	24
DISPENSE VALVE ASSEMBLY COMPONENTS .....	26
CO2 ASSEMBLY COMPONENTS .....	28
ELECTRICAL COMPONENTS.....	30
NUMERICAL INDEX .....	26



# EXTERIOR COMPONENTS

refresh

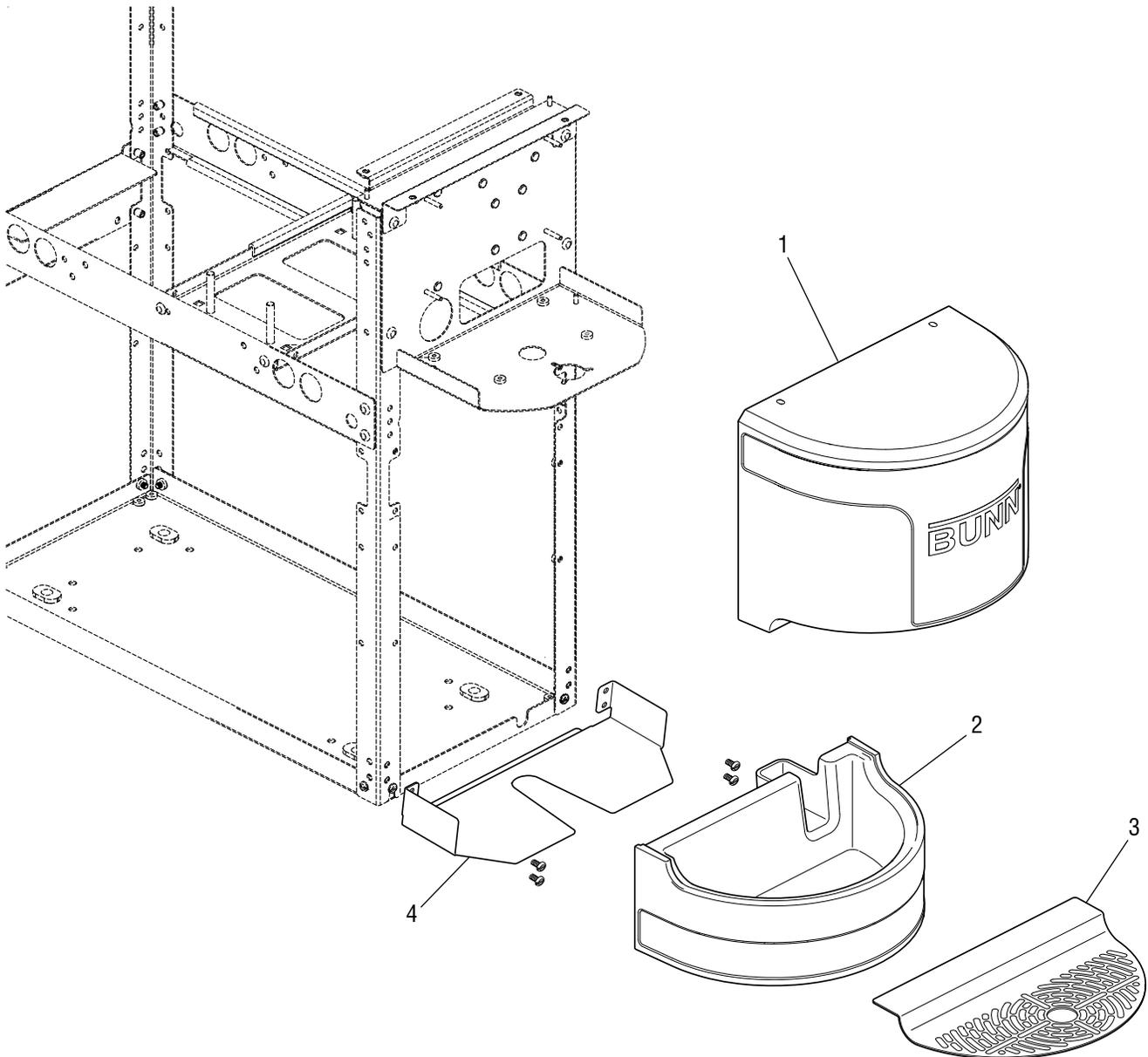


ITEM	PART NO.	QTY.	EXTERIOR COMPONENTS DESCRIPTION
1	48215.1002	1	Panel, Back Black
2	50884.1001	1	Panel, Top Black
3	50906.1001	2	Panel, Side Black
4	50907.1000	4	Kit, Leg Assembly, QTRRD



# EXTERIOR COMPONENTS

refresh



ITEM	PART NO.	QTY.	EXTERIOR COMPONENTS DESCRIPTION
1	50881.1000	1	Cover, Black Assembly
2	50883.1000	1	Drip Tray Assembly, Black
3	50875.0000	1	Cup Rest, SST
4	50889.0000	1	Bracket, Drip Tray

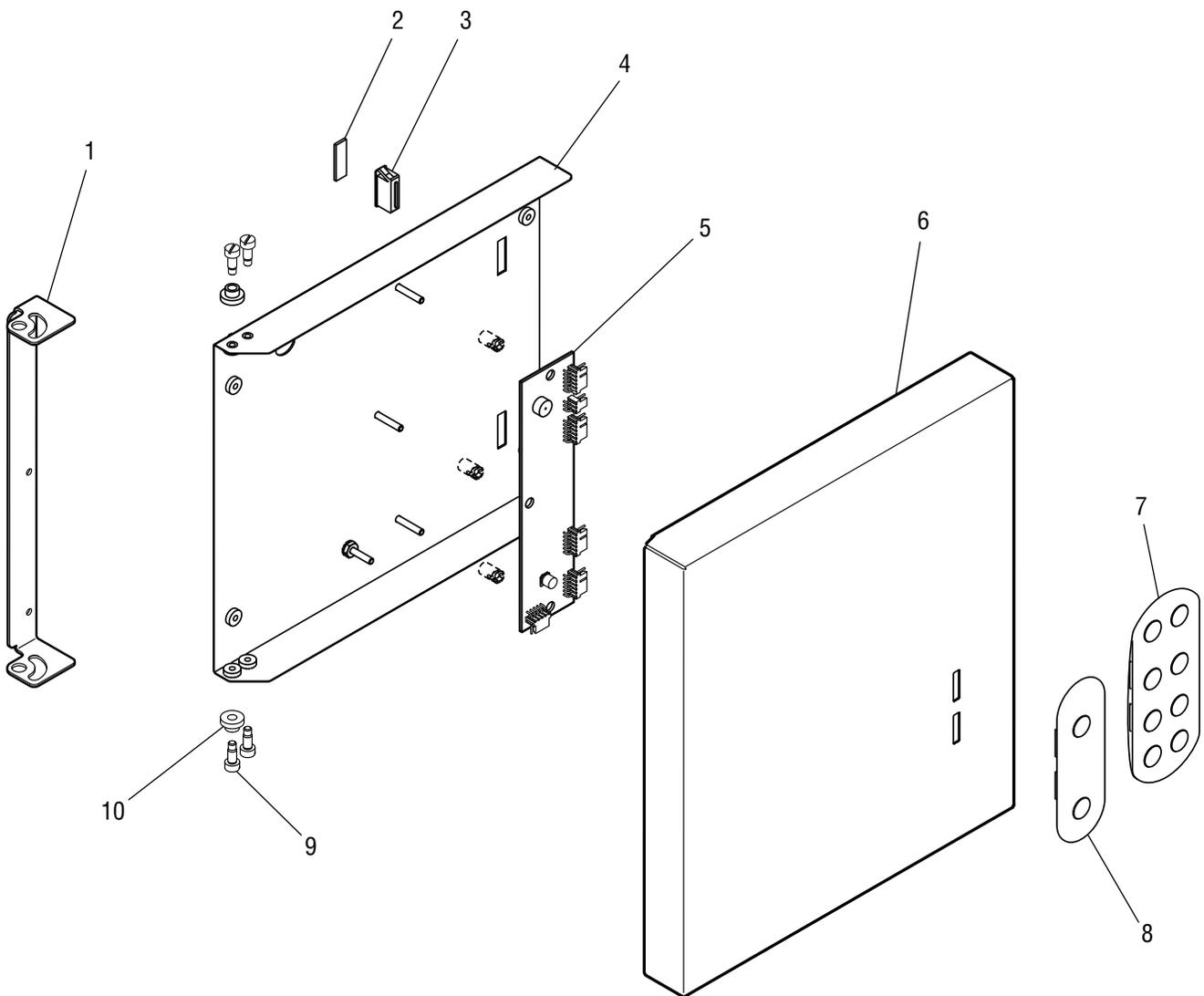


ITEM	PART NO.	QTY.	DESCRIPTION
1	41509.0005	1	Decal, Set CO2 Pressure
2	00986.0002	1	Decal, Warning Electrical
3	00656.0001	1	Decal, Comply To Plumbing Code
4	27442.0000	1	Decal, Moving Parts Warning



# DOOR ASSEMBLY COMPONENTS

refresh

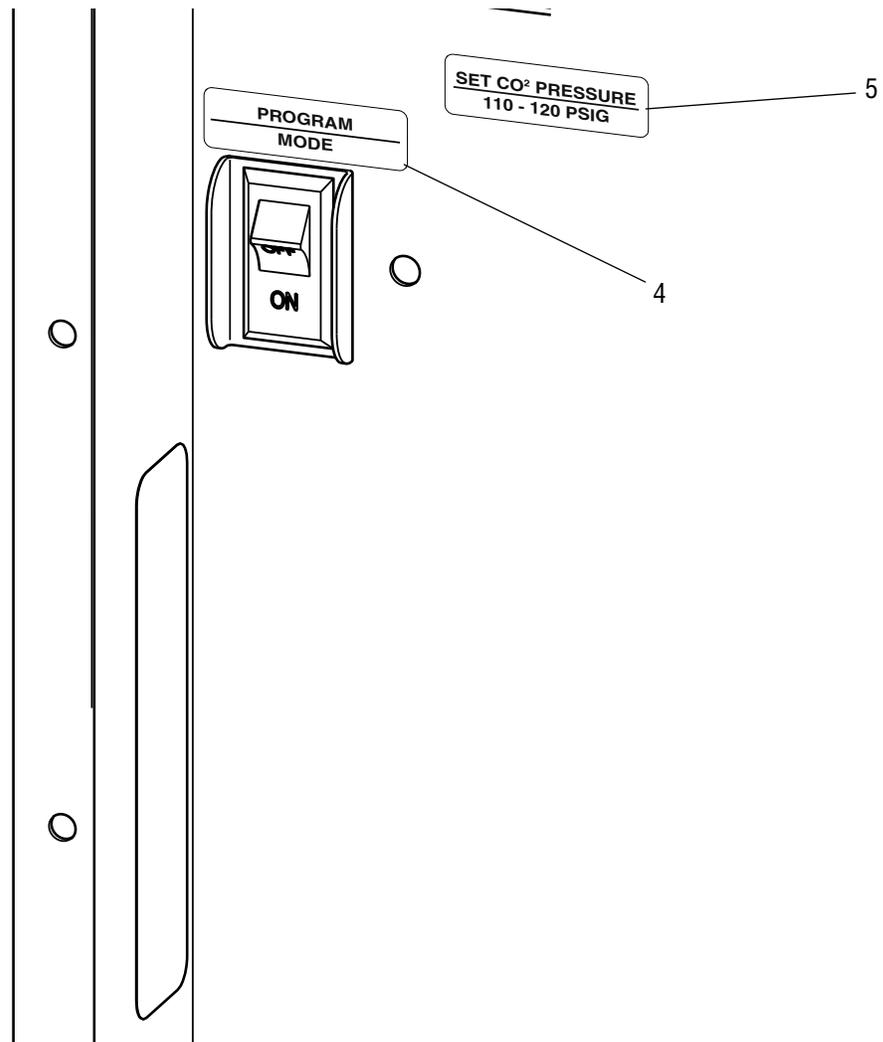
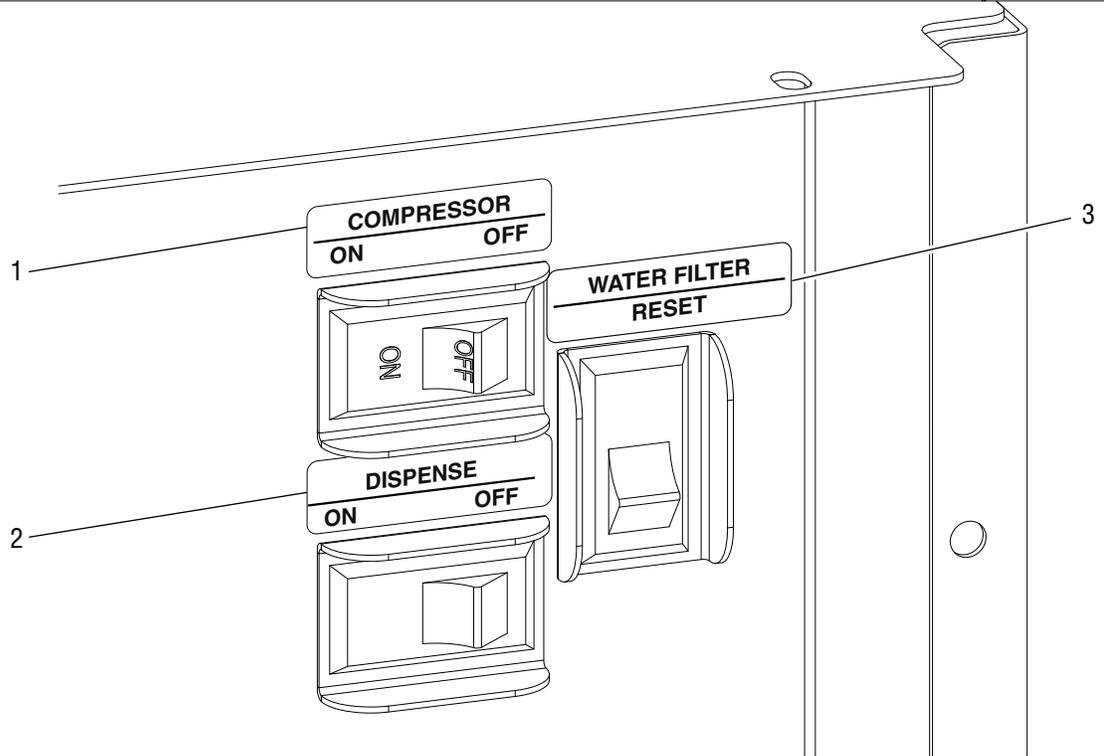


ITEM	PART NO.	QTY.	DESCRIPTION
1	47882.0001	1	Bracket, Hinge
2	35607.0000	4	Plate Assy, Steel - Self Adj.
3	21436.0000	2	Catch, Magnetic Sn In
4	48219.0001	1	Bracket Wldmt, Door
5	50477.1000	1	CBA, JDFS PC 4 SW
6	50915.1001	1	Door Weldment, Push Button Black
	50915.1003	1	Door Weldment, Portion Control Black
7	50887.1000	1	Switch, Membrane Portion Control
8	50886.1000	1	Switch, Membrane Push Button
9	34741.0000	4	Screw, SHLDR SST, #8-32 x .3" OD x .313" LG
10	34362.0002	2	Bushing, .196" ID x .3" OD x .12" FLG

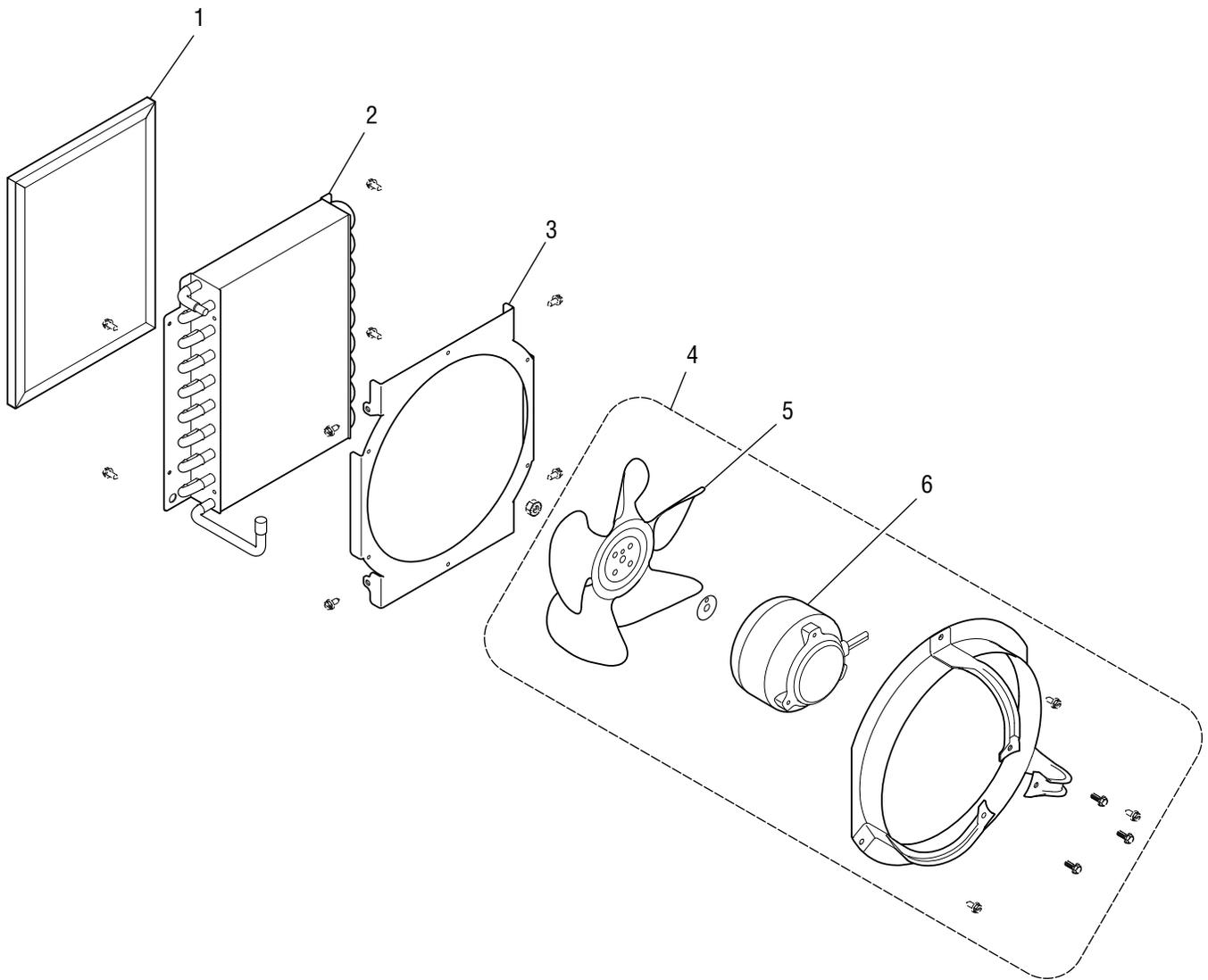


# INTERIOR DECALS

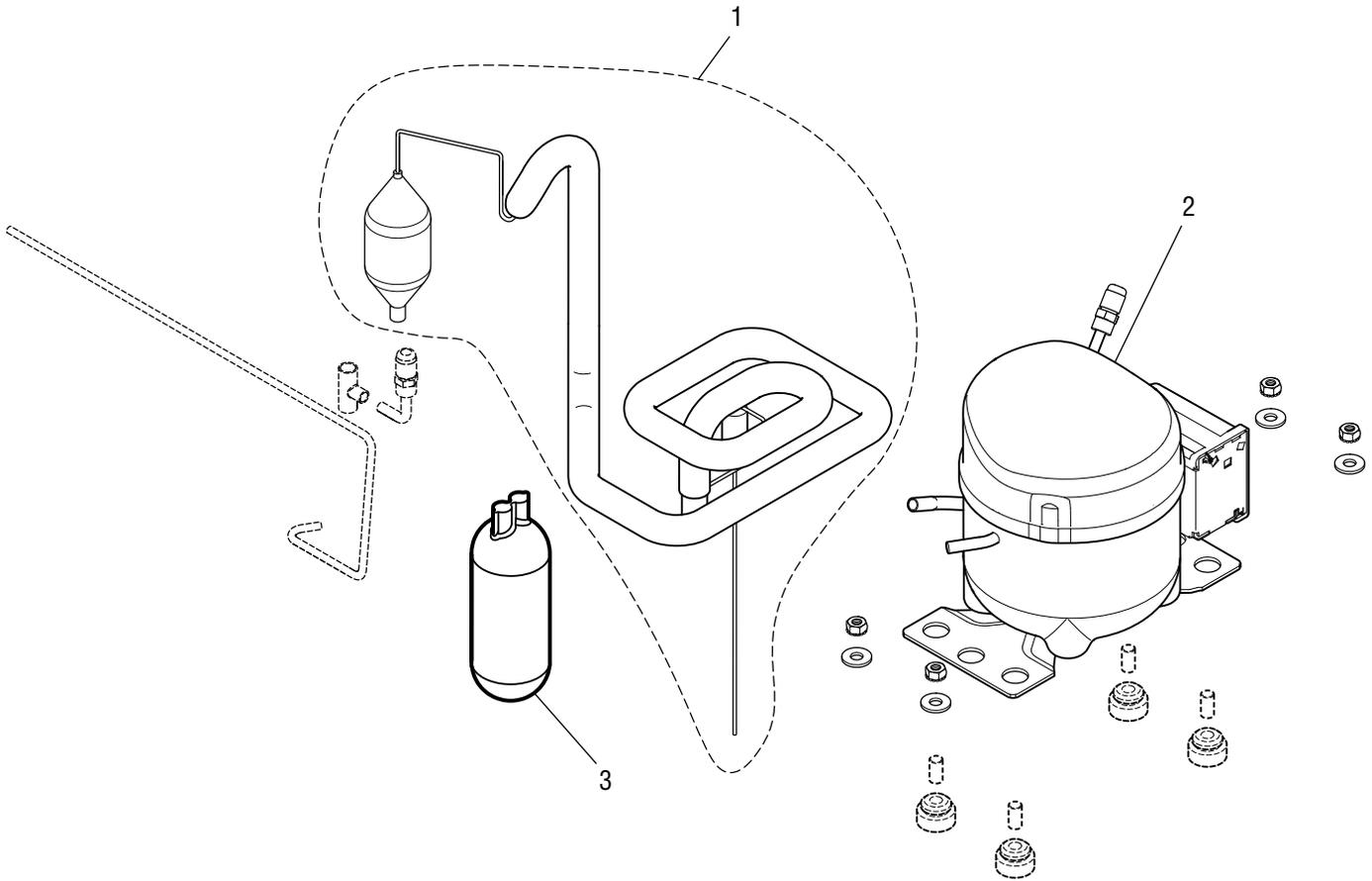
refresh



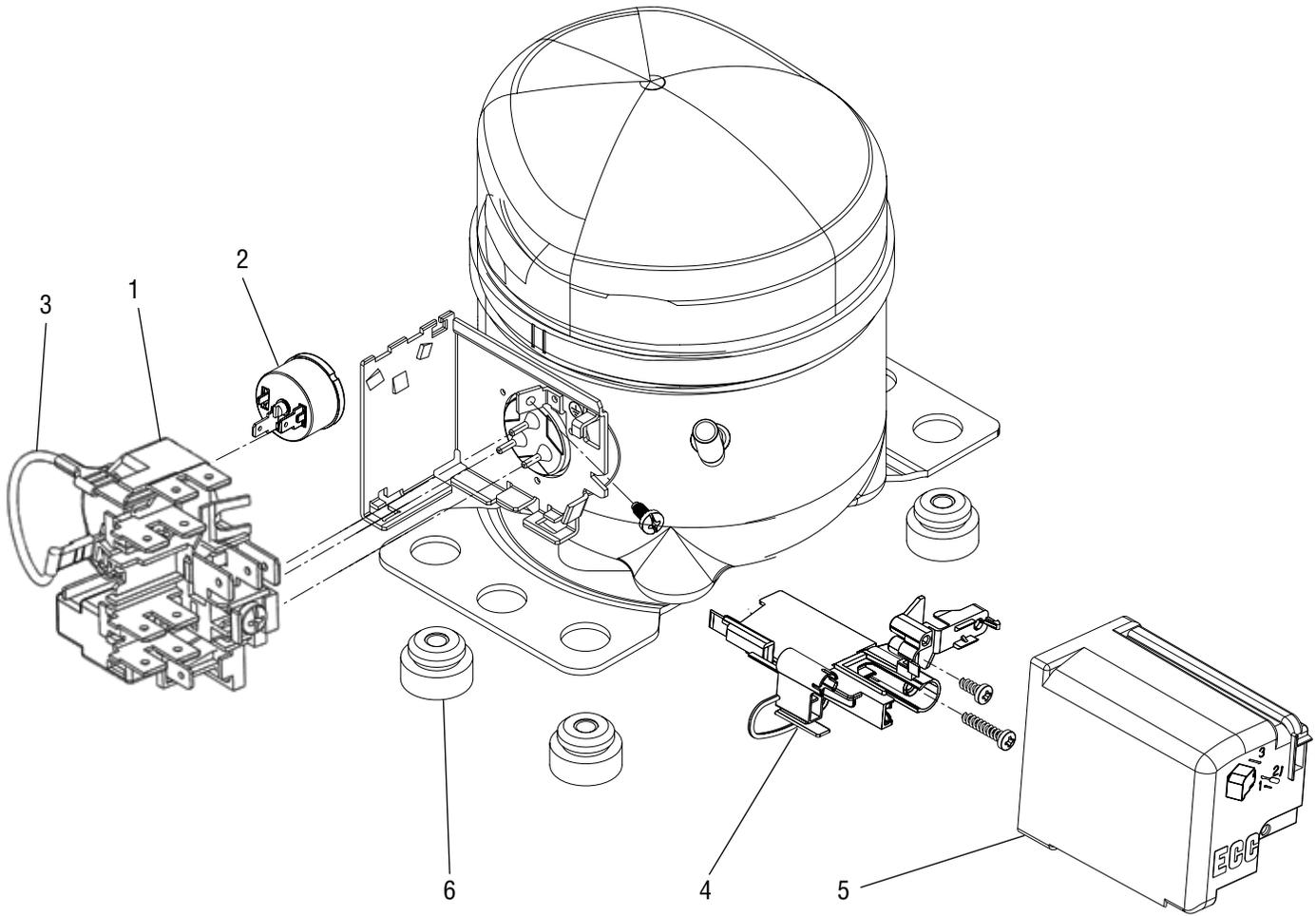
ITEM	PART NO.	QTY.	DESCRIPTION
1	41509.0001	1	Decal, Switch Compressor ON/OFF
2	41509.0002	1	Decal, Switch Dispense ON/OFF
3	41509.0003	1	Decal, Water Filter Reset
4	41509.0004	1	Decal, Program Switch
5	41509.0005	1	Decal, Set CO2 Pressure



ITEM	PART NO.	QTY.	DESCRIPTION
1	35164.1001	1	Filter, Air JDF-2S/4S
2	48355.1000	1	Condenser, 9" x 6" x 1.25"
3	33601.0000	1	Mount, Condenser Fan
4	49292.1000	1	Fan Assembly, Condenser 120V
5	33602.0000	1	Blade, Condenser Fan
6	33603.0000	1	Moter w/Terminals, Condenser Fan 120V



ITEM	PART NO.	QTY.	DESCRIPTION
1	35175.1005	1	Filter Dryer Assembly, DWSLV
2	32522.1012	1	Compressor Assembly, 115V GD40ME
3	32776.0000	1	Accumulator, JDF-4

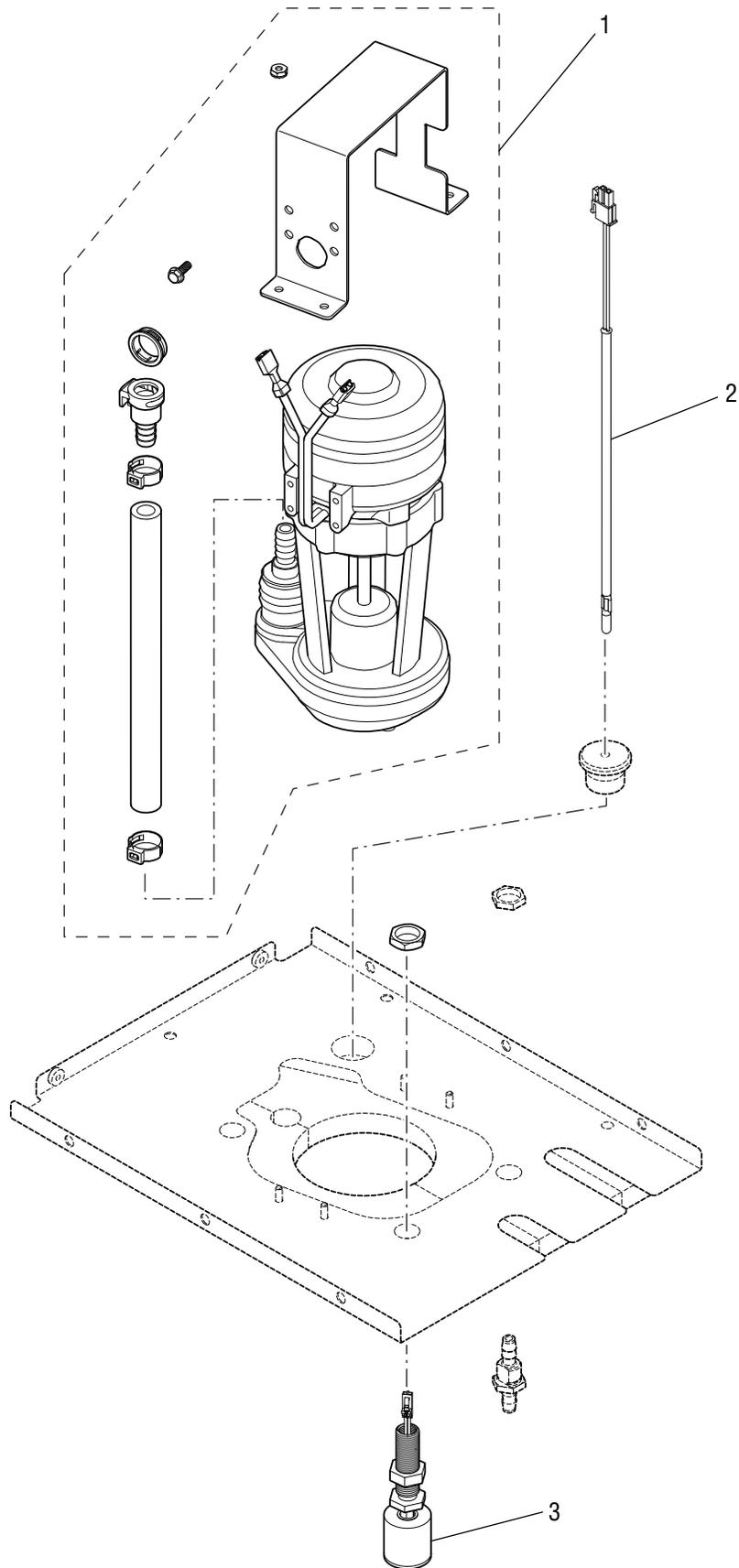


ITEM	PART NO.	QTY.	DESCRIPTION
	35522.1012	1	Compressor, (GD40ME) 120V (Includes items 1-6)
1	39912.0002	1	Relay, Compressor 120V
2	39908.0002	1	Overload Protector 120V
3	41398.0000	1	Cable
4	41397.0000	4	Strain Relief
5	39907.0000	1	Cover
6	41396.0000	1	Mounting Kit (Included 4 Grommets and Sleeves)



# WATER TANK PUMP COMPONENTS

refresh

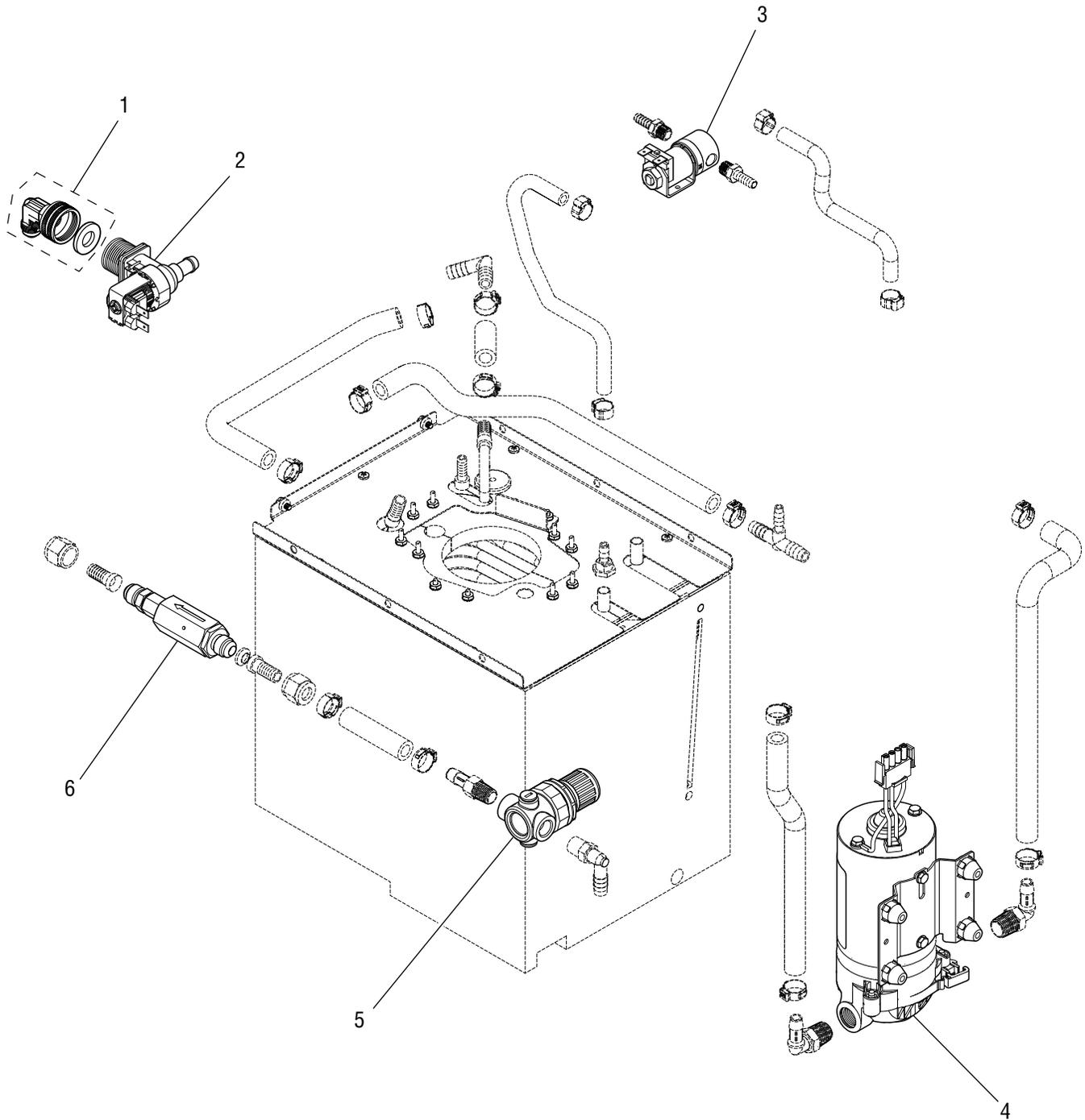


ITEM	PART NO.	QTY.	DESCRIPTION
1	39656.1004	1	Pump Assembly, Recirculating 120VAC Dispensed Water
2	28891.1000	1	Probe, Temp 7.7" LG
3	21114.0005	1	Switch, Liquid Level w/Connector



# CIRCULATING PUMP COMPONENTS

refresh

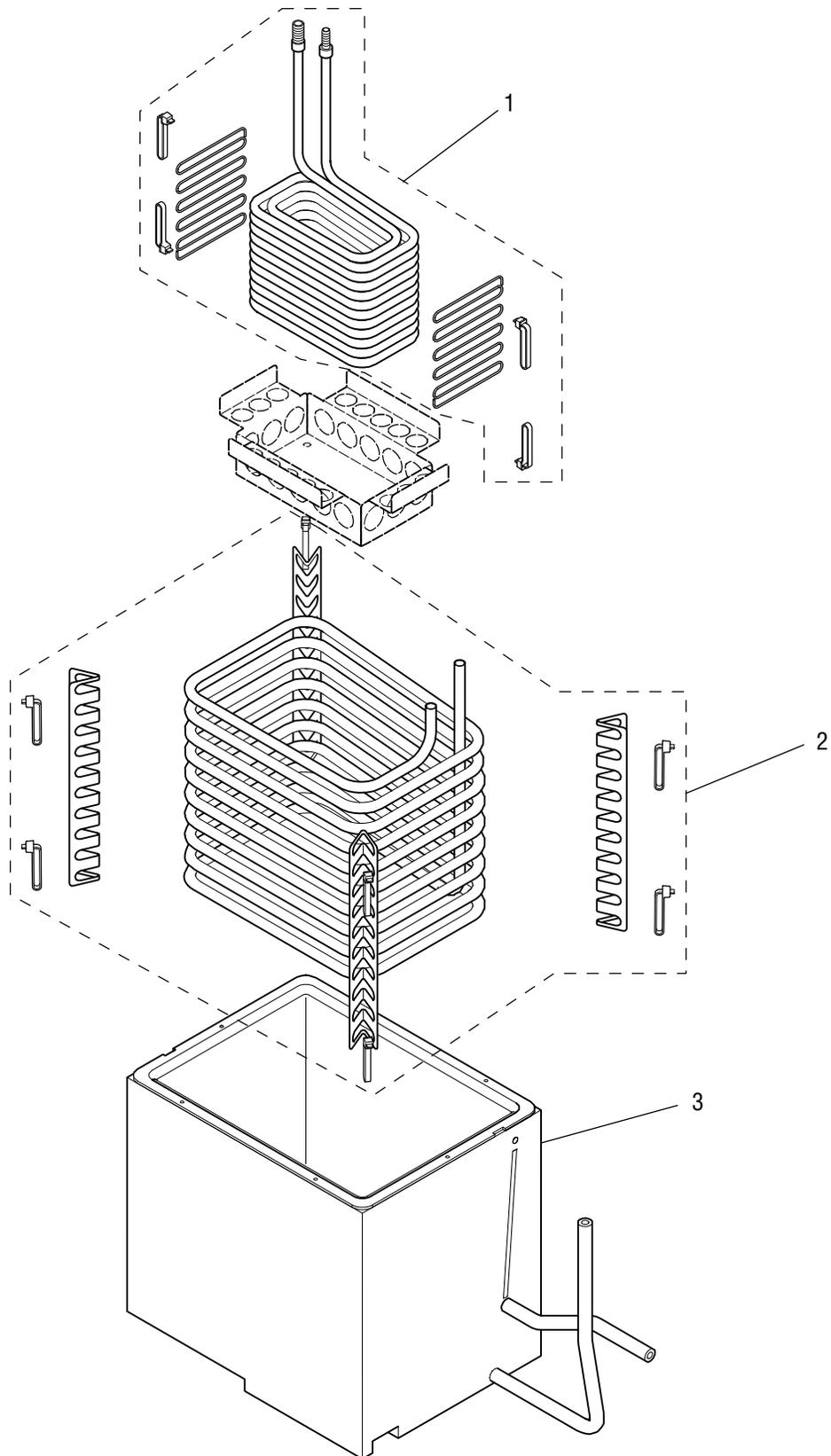


ITEM	PART NO.	QTY.	DESCRIPTION
1	37297.1001	1	Elbow, Water Inlet w/gasket
2	36233.0005	1	Valve, Inlet 120VAC
3	32757.0000	1	Valve Assembly, Water 24VDC (KIP)
4	48350.0001	1	Pump Assembly, 115 VAC (Shurflo 8005-912-260)
5	49254.0000	1	Regulator, Water 5-125 PSIG Plastic
6	48345.0000	1	Valve, 3/8" M/F Double Check w/vent



# WATER TANK ASSEMBLY COMPONENTS

refresh

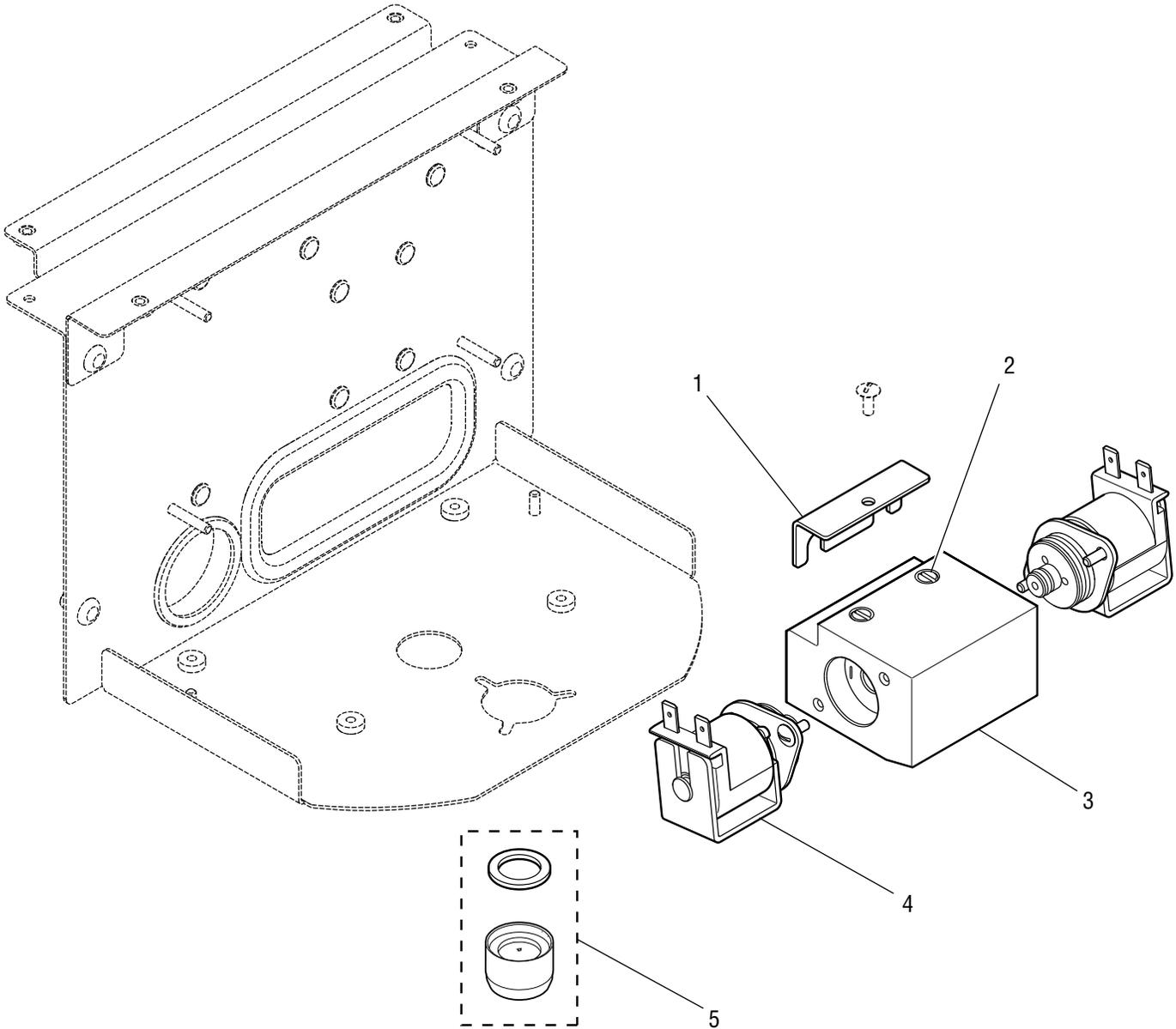


ITEM	PART NO.	QTY.	DESCRIPTION
1	51522.0000	1	Coil Assembly, Product JDF-2S
2	47581.0000	1	Coil Assembly, Evaporator w/spacer JDF-2S
3	35165.1003	1	Tank/Foam Assembly, JDF-2S



# DISPENSE VALVE ASSEMBLY COMPONENTS

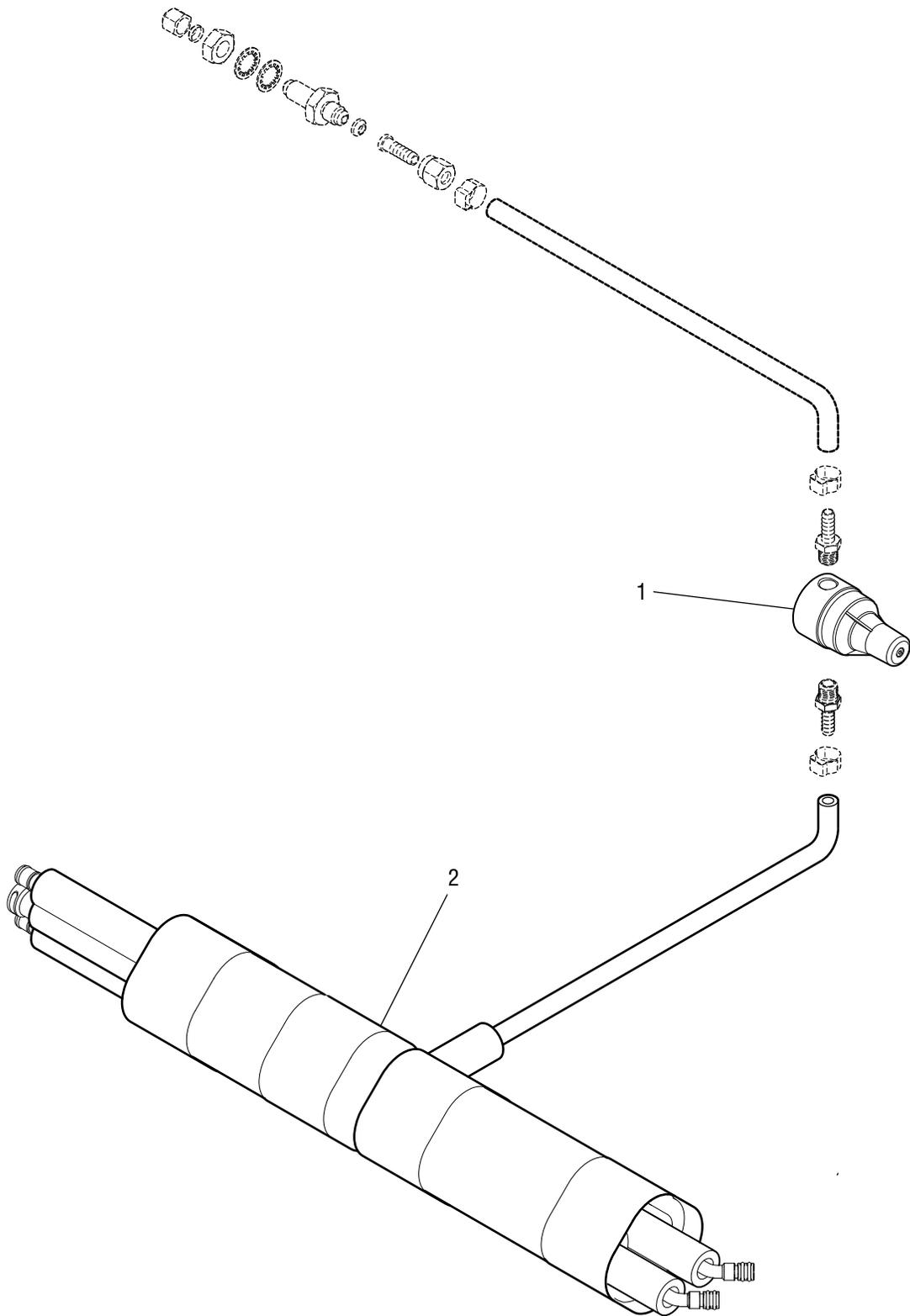
refresh



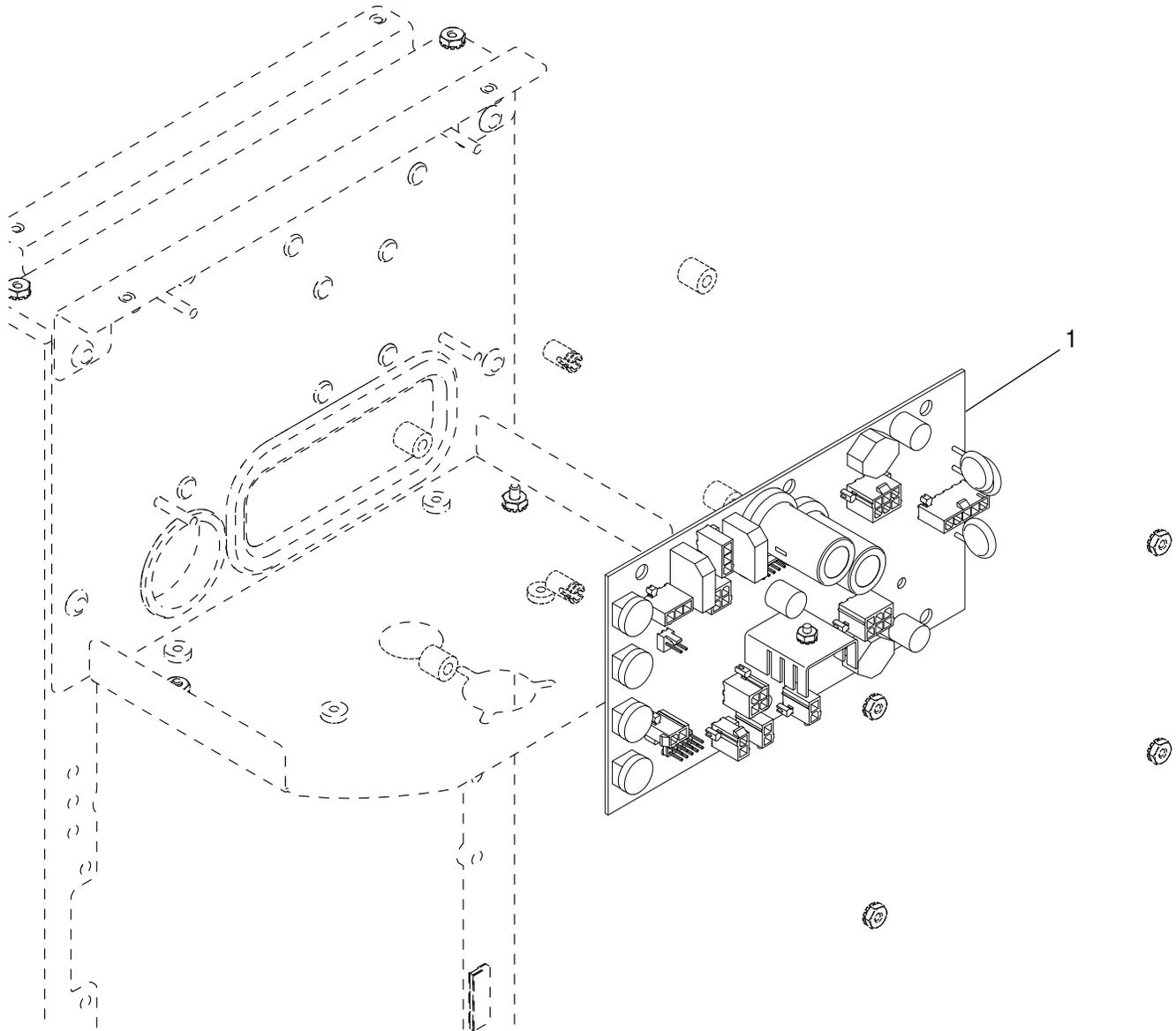
ITEM	PART NO.	QTY.	DESCRIPTION
1	47871.0001	1	Bracket, Valve Fitting
2	43117.0000	2	Screw, Needle Valve .3125 Bulkhead
3	48624.0005	1	Valve, Body
4	32252.0001	2	Valve, 24VDC Plug-In
5	47797.0000	1	Nozzle Assembly, Faucet Flow Laminator

**Items Not Shown**

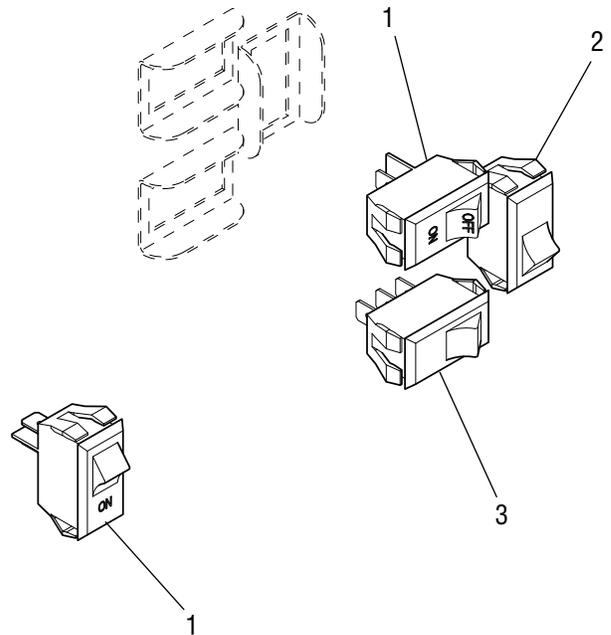
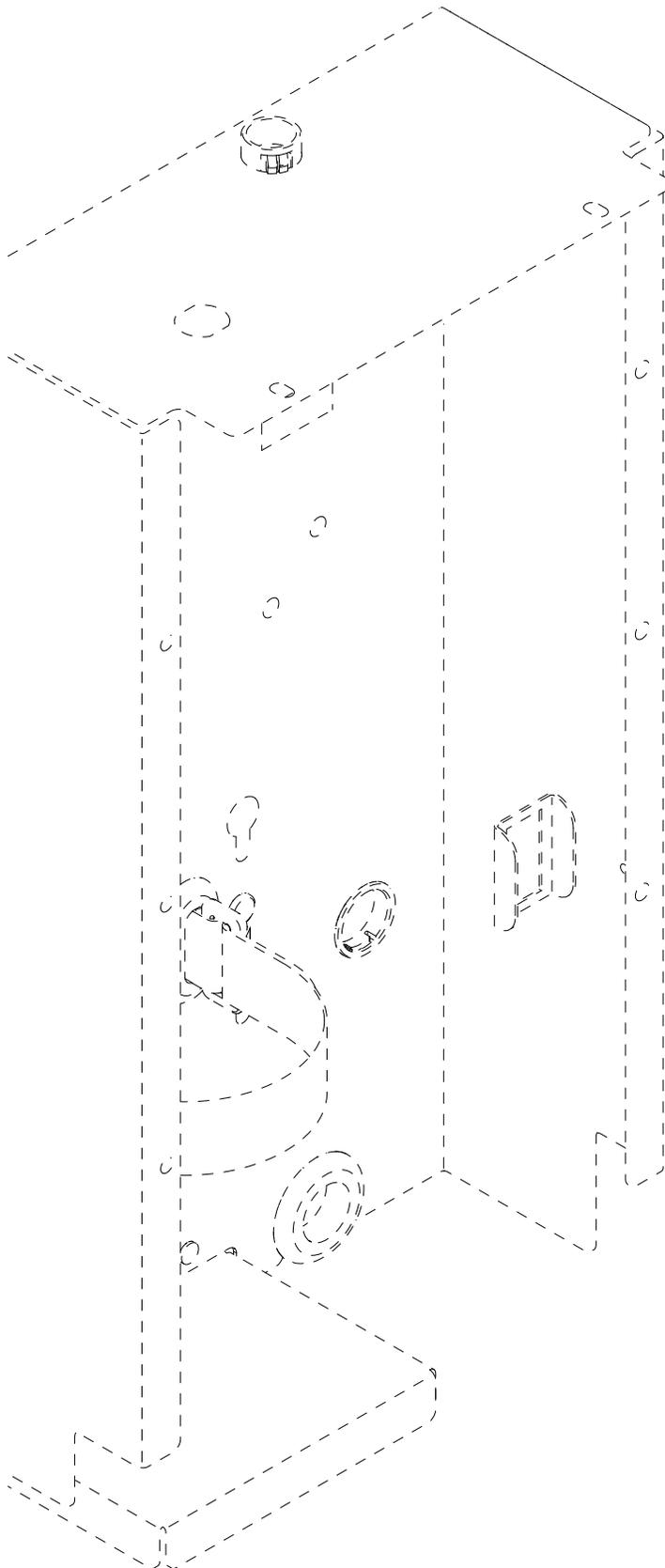
6	44023.0001	1	Grease, Silicone
7	24733.0016	2	O-Ring



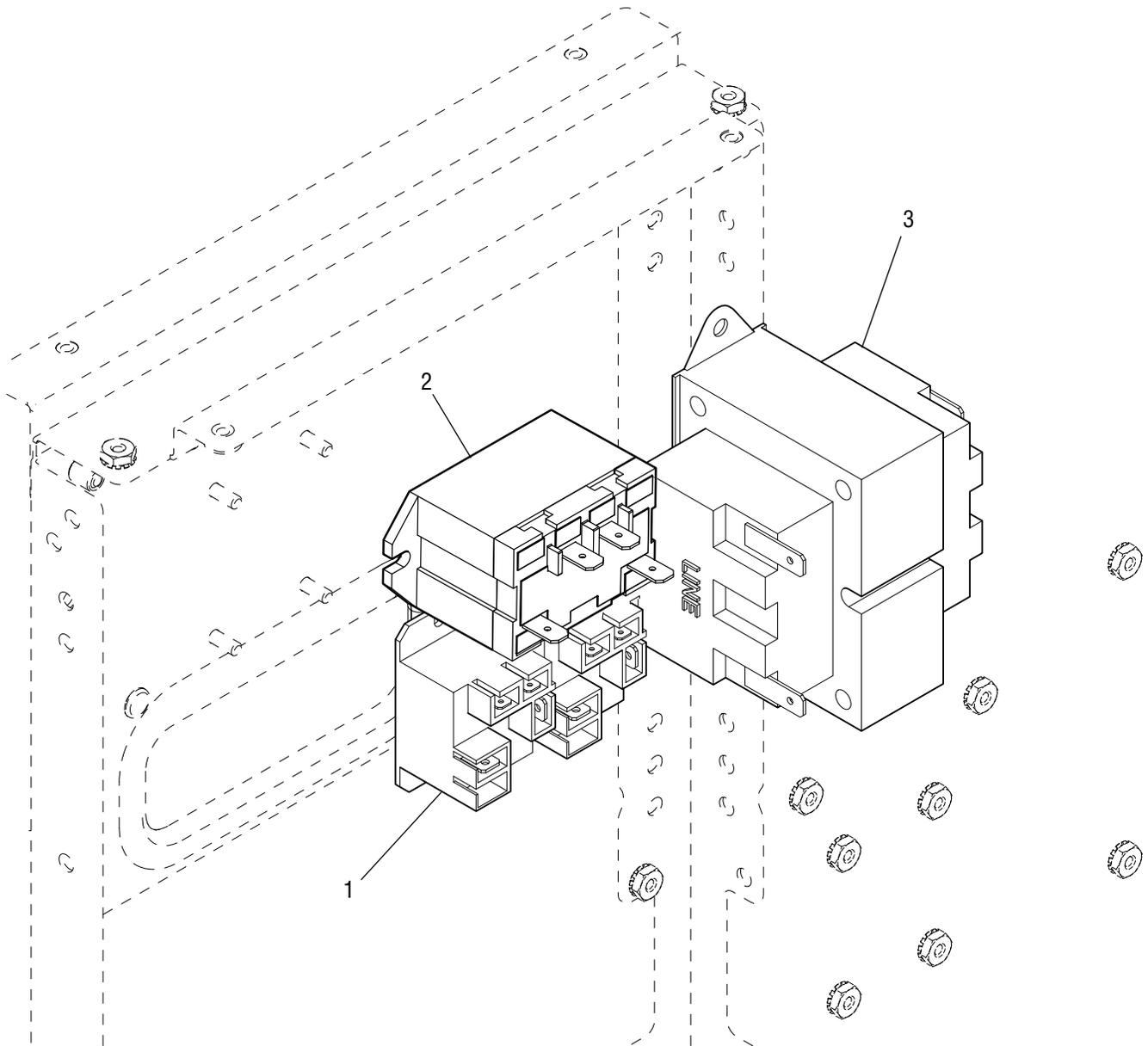
ITEM	PART NO.	QTY.	DESCRIPTION
1	47249.0000	1	Regulator, 90 PSIG Air Non-Adjust
2	49385.1000	1	Conduit Assembly, Recirc In-Line Carb



ITEM	PART NO.	QTY.	DESCRIPTION
1	40177.1004	1	CBA, DWS ROHS (V00.06)
<b><u>Items Not Shown</u></b>			
2	36903.0000	1	LED Assembly, Blue w/terminals (In Hood)



ITEM	PART NO.	QTY.	DESCRIPTION
1	04786.0002	2	Switch, On/Off 125/250V (VISRED) (Compressor, Program)
2	01063.0000	1	Switch, Momentary Start (Water Filter)
3	20637.0000	1	Switch, Rocker - Blk - SPDT On/Off (Dispense)



ITEM	PART NO.	QTY.	DESCRIPTION
1	32104.0001	1	Relay, 24V Coil
2	37711.1002	1	Relay, 120V SPST
3	39305.0000	1	Transformer, 120V 50/60 Hz

**Items Not Shown**

4	20630.0013	1	Cord, Power
5	00707.0000	1	Stop, Cord

# NUMERICAL INDEX

PART NO.	PAGE NO.	PART NO.	PAGE NO.	PART NO.	PAGE NO.	PART NO.	PAGE NO.
00656.0001.....	9	48345.0000.....	23				
00707.0000.....	35	48355.1000.....	15				
00986.0002.....	9	48350.0001.....	23				
01063.0000.....	33	48624.0005.....	27				
04786.0002.....	33	49254.0000.....	23				
20630.0013.....	35	49292.1000.....	15				
20637.0000.....	33	49385.1000.....	29				
21114.0005.....	21	50477.1000.....	11				
21436.0000.....	11	50875.0000.....	7				
24733.0016.....	27	50881.1000.....	7				
27442.0000.....	9	50881.1001.....	7				
28891.1000.....	21	50884.1001.....	5				
32104.0001.....	35	50883.1000.....	7				
32252.0001.....	27	50889.0000.....	7				
32757.0000.....	23	50886.1000.....	11				
32776.0000.....	17	50887.1000.....	11				
33522.1012.....	17	50906.1001.....	5				
33601.0000.....	15	50907.1000.....	5				
33602.0000.....	15	50915.1001.....	11				
33603.0000.....	15	50915.1003.....	11				
34362.0002.....	11	51522.0000.....	25				
34741.0000.....	11						
35164.1001.....	15						
35165.1003.....	25						
35175.1005.....	17						
35522.1012.....	19						
35607.0000.....	11						
36233.0005.....	23						
36903.0000.....	31						
37297.1001.....	23						
37711.1002.....	35						
39305.0000.....	35						
39656.1004.....	21						
39907.0000.....	19						
39908.0002.....	19						
39912.0002.....	19						
40177.1004.....	31						
41396.0000.....	19						
41397.0000.....	19						
41398.0000.....	19						
41509.0005.....	9						
41509.0001.....	13						
41509.0002.....	13						
41509.0003.....	13						
41509.0004.....	13						
41509.0005.....	13						
43117.0000.....	27						
44023.0001.....	27						
47249.0000.....	29						
47581.0000.....	25						
47797.0000.....	27						
47882.0001.....	11						
47871.0001.....	27						
48215.1002.....	5						
48219.0001.....	11						