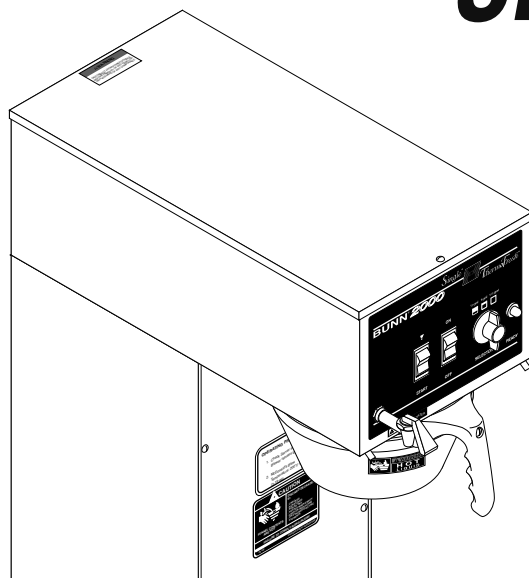


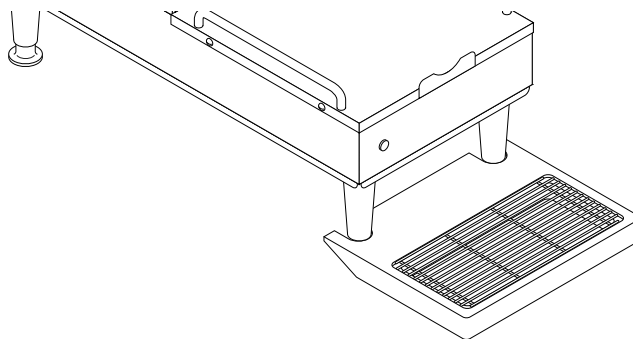
BUNN®

SINGLE™ TF

1.75 GALLON



DISCONTINUED VERSION
Parts listed in this catalog
may no longer be available.



ILLUSTRATED PARTS CATALOG

Designs, materials, weights, specifications, and dimensions for equipment or replacement parts are subject to change without notice.

BUNN-O-MATIC CORPORATION

POST OFFICE BOX 3227

SPRINGFIELD, ILLINOIS 62708-3227

PHONE: (217) 529-6601 FAX: (217) 529-6644

BUNN-O-MATIC COMMERCIAL PRODUCT WARRANTY

Bunn-O-Matic Corp. ("BUNN") warrants equipment manufactured by it as follows:

- 1) All equipment other than as specified below: 2 years parts and 1 year labor.
- 2) Electronic circuit and/or control boards: parts and labor for 3 years.
- 3) Compressors on refrigeration equipment: 5 years parts and 1 year labor.
- 4) Grinding burrs on coffee grinding equipment to grind coffee to meet original factory screen sieve analysis: parts and labor for 3 years or 30,000 pounds of coffee, whichever comes first.

These warranty periods run from the date of installation BUNN warrants that the equipment manufactured by it will be commercially free of defects in material and workmanship existing at the time of manufacture and appearing within the applicable warranty period. This warranty does not apply to any equipment, component or part that was not manufactured by BUNN or that, in BUNN's judgment, has been affected by misuse, neglect, alteration, improper installation or operation, improper maintenance or repair, damage or casualty. This warranty is conditioned on the Buyer 1) giving BUNN prompt notice of any claim to be made under this warranty by telephone at (217) 529-6601 or by writing to Post Office Box 3227, Springfield, Illinois 62708-3227; 2) if requested by BUNN, shipping the defective equipment prepaid to an authorized BUNN service location; and 3) receiving prior authorization from BUNN that the defective equipment is under warranty.

THE FOREGOING WARRANTY IS EXCLUSIVE AND IS IN LIEU OF ANY OTHER WARRANTY, WRITTEN OR ORAL, EXPRESS OR IMPLIED, INCLUDING, BUT NOT LIMITED TO, ANY IMPLIED WARRANTY OF EITHER MERCHANTABILITY OR FITNESS FOR A PARTICULAR PURPOSE. The agents, dealers or employees of BUNN are not authorized to make modifications to this warranty or to make additional warranties that are binding on BUNN. Accordingly, statements by such individuals, whether oral or written, do not constitute warranties and should not be relied upon.

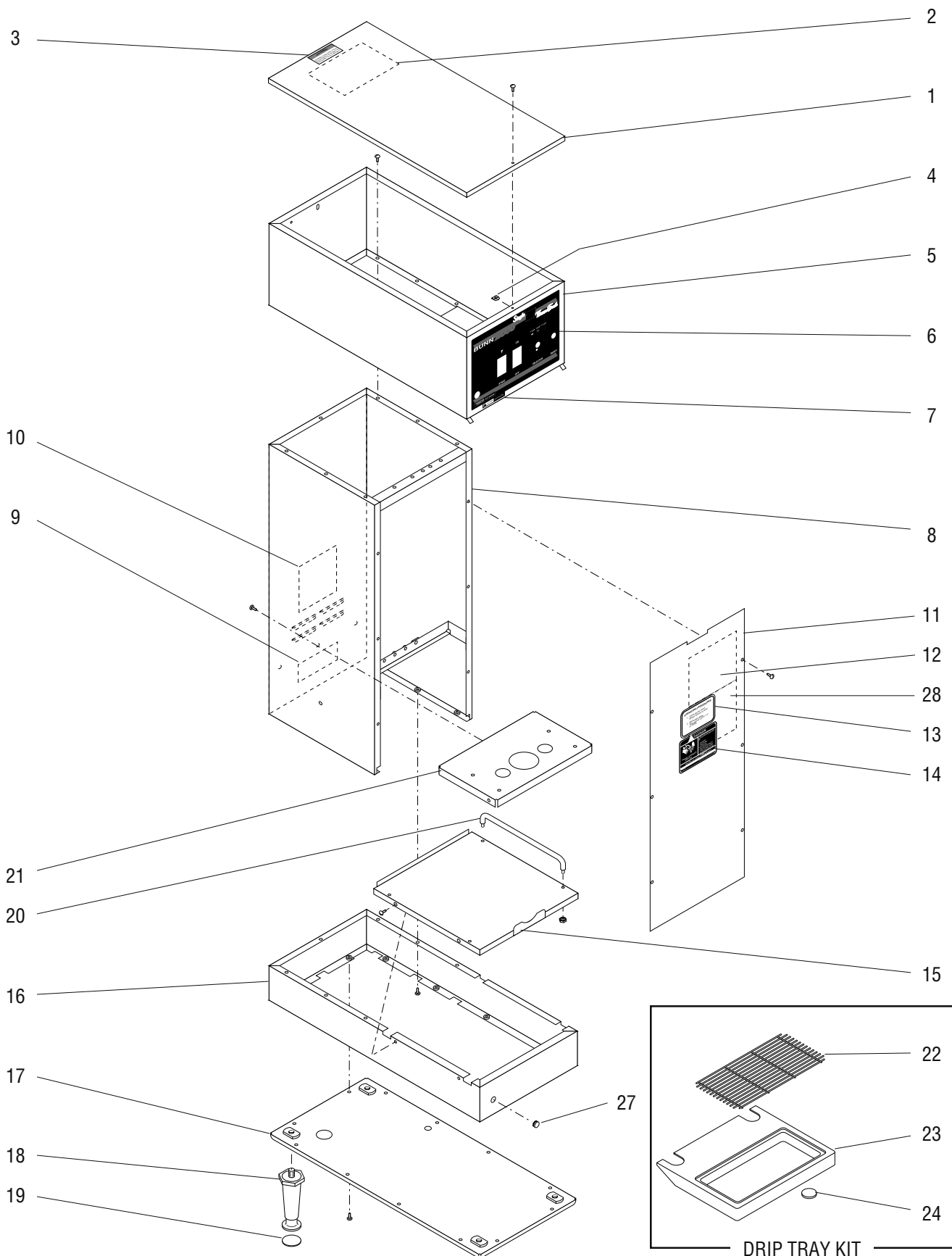
If BUNN determines in its sole discretion that the equipment does not conform to the warranty, BUNN, at its exclusive option while the equipment is under warranty, shall either 1) provide at no charge replacement parts and/or labor (during the applicable parts and labor warranty periods specified above) to repair the defective components, provided that this repair is done by a BUNN Authorized Service Representative; or 2) shall replace the equipment or refund the purchase price for the equipment.

THE BUYER'S REMEDY AGAINST BUNN FOR THE BREACH OF ANY OBLIGATION ARISING OUT OF THE SALE OF THIS EQUIPMENT, WHETHER DERIVED FROM WARRANTY OR OTHERWISE, SHALL BE LIMITED, AT BUNN'S SOLE OPTION AS SPECIFIED HEREIN, TO REPAIR, REPLACEMENT OR REFUND.

In no event shall BUNN be liable for any other damage or loss, including, but not limited to, lost profits, lost sales, loss of use of equipment, claims of Buyer's customers, cost of capital, cost of down time, cost of substitute equipment, facilities or services, or any other special, incidental or consequential damages.

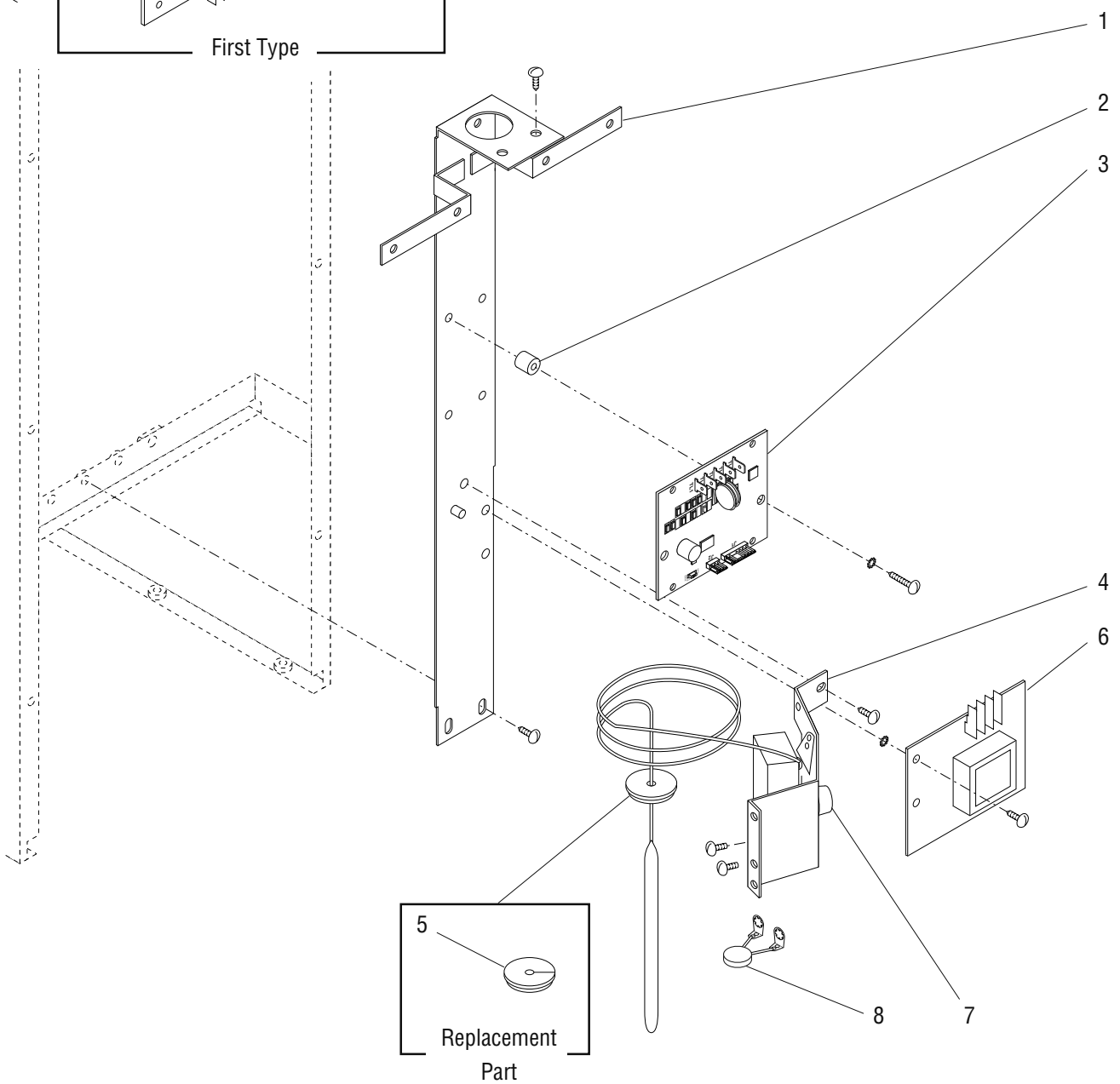
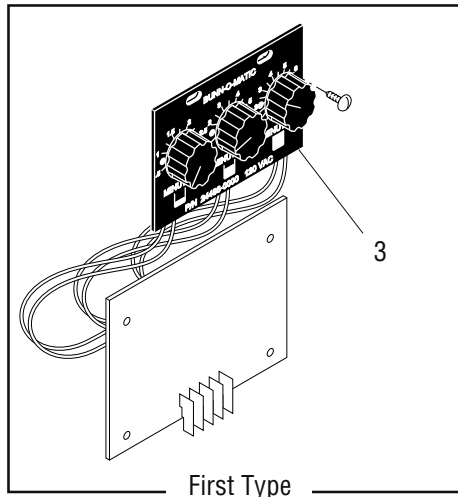
TABLE OF CONTENTS

Base - Trunk - Hood - Covers & Panels	4
Dispense Valve and Sprayhead	18
Electrical Controls & Ready Light	22
Faucet	20
Funnel	24
Numerical Index.....	26
Strainer/Flow Control - Solenoid & Lines.....	12
Tank and Mounting Brackets	10
Tank Heater & Overflow Protection Devices	8
Timer & Thermostat	6
Water By-Pass	16



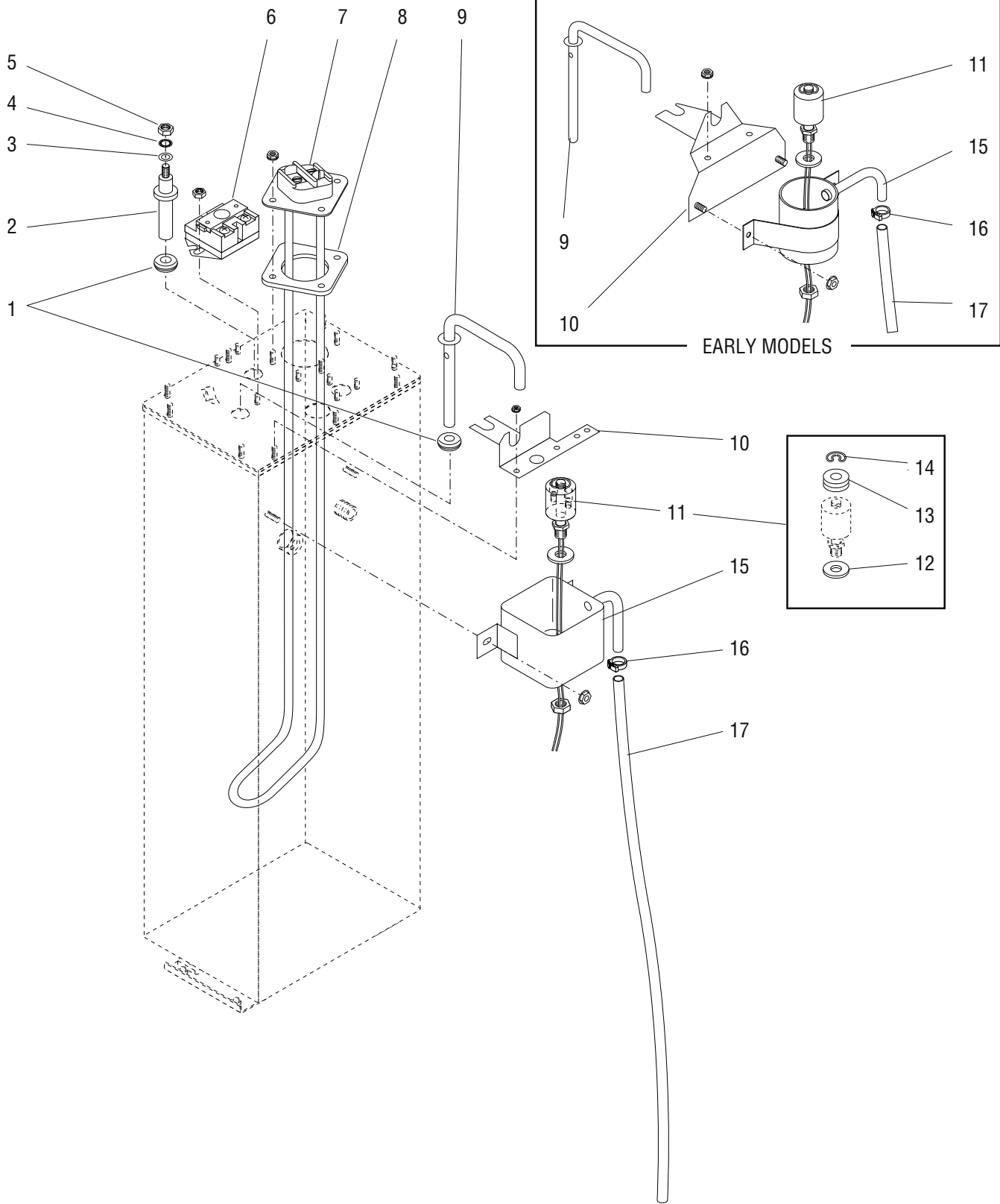
BASE - TRUNK - HOOD - COVERS & PANELS

ITEM	PART NO.	QTY.	DESCRIPTION
1	25766.0000	1	Cover, Top (Includes item 2 & 3)
	02336.0000	1	Screw, Truss Head #4-40 x .375"
2	25151.0000	1	Shield, Insulator
3	10044.0000	1	Decal, Warning "Shut Off Power"
4	00916.0000	1	Clip, J-Type #4-40
5	26306.0002	1	Hood W/Decals (Includes item 6)
	02308.0000	7	Screw, Pan Head #8-32 x .375"
6	23024.0007	1	Decal, Control Panel
7	20201.5600	1	Decal, Caution Hot Water (Early Brewers only)
8	23418.0002	1	Trunk W/Decals (Includes items 9 & 10)
9	00656.0000	1	Decal, Comply to Plumbing Code
10	00831.0000	1	Decal, Warning - Electrical
11	27099.0003	1	Panel W/Decals, Trunk (Includes items 12, 13 & 14)
	01382.0003	6	Screw, Truss Head #6-32 x .375"
12	27202.0001	1	Schematic (120 & 120/208V)
13	27078.0000	1	Decal, Operating Procedures
14	00658.0000	1	Decal, Caution - Decanter/Funnel
15	26872.0000	1	Cover, Server Platform
	01382.0003	4	Screw, Truss Head #6-32 x .375"
16	26878.0000	1	Base Housing
	02308.0000	7	Screw, Pan Head #8-32 x .375"
17	26880.0000	1	Cover, Bottom
	02308.0000	12	Screw, Pan Head #8-32 x .375"
18	26528.0000	4	Leg, 4.0" Plastic
19	03996.0000	4	Pad, Anti Skid
20	12249.0001	2	Guide Rail
	00970.0000	4	Nut, Keps #8-32
21	26207.0000	1	Plate, Tank Mounting
	02308.0000	5	Screw, Pan Head #8-32 x .375"
22	26801.0000	1	Wire Grill, Drip Tray- SST
	26801.0001	1	Wire Grill, Drip Tray- Brass
23	26918.1000	1	Drip Tray W/Pads (Includes item 24)
24	11591.0000	4	Pad, Adhesive 1.0" Dia.
25	26830.0000	1	Drip Tray Kit (Includes items 22, 23 & 24)
26	13255.0003	-	Leg Kit (Includes 4 each of items 18 & 19) (Not illustrated)
27	00619.0007	1	Plug (Not used on models with lower Faucet)
28	32540.0000	1	Decal, Timer Setting



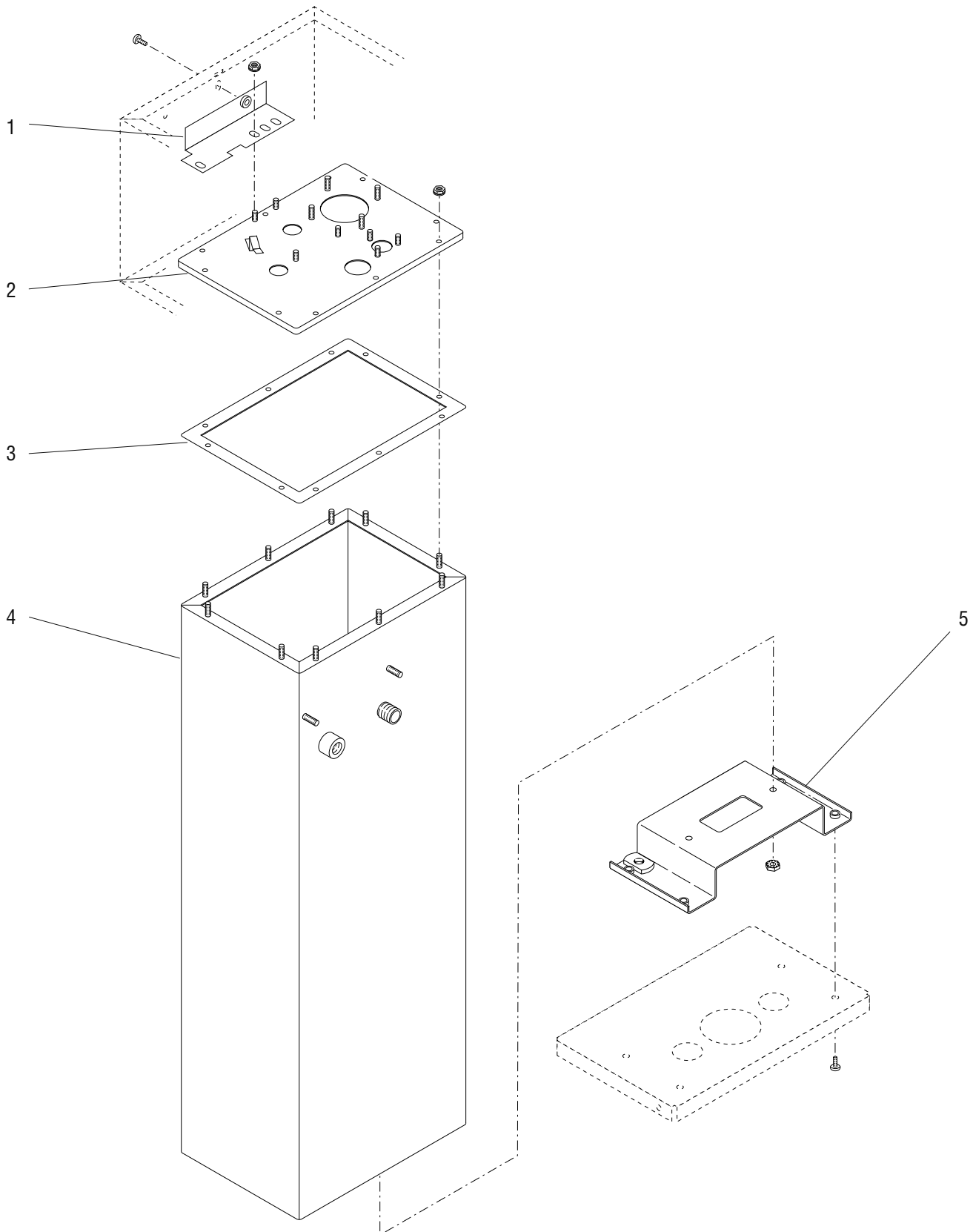
TIMER & THERMOSTAT

ITEM	PART NO.	QTY.	DESCRIPTION
1	20948.0001	1	Bracket, Component Mounting
	02308.0000	4	Screw, Pan Head #8-32 x .375"
2	01533.0000	2	Spacer, Nylon .375"
3	24486.1000	1	Timer, Triple (First Type)
	32400.0002	1	Timer, Digital (Second Type)
	01347.0000	2	Screw, Truss Head #6-32 x .375" (Not used with Digital Timer)
	01510.0000	2	Lockwasher, External Tooth #6
	01388.0000	2	Screw, Truss Head #6-32 x .75"
	12919.0008	1	Cap, Terminal (Not illustrated)
4	04314.0001	1	Thermostat Assy (Includes item 5, 7 & 8)
	02308.0000	1	Screw, Pan Head #8-32 x .375"
5	07073.0000	1	Grommet, Thermostat
6	07074.1026	1	Control Board, Level
	02308.0000	2	Screw, Pan Head #8-32 x .375"
	01511.0000	2	Lockwasher, External Tooth #8
7	00720.0000	1	Knob
8	28377.0000	1	Noise Suppression (Not used with Digital Timer)



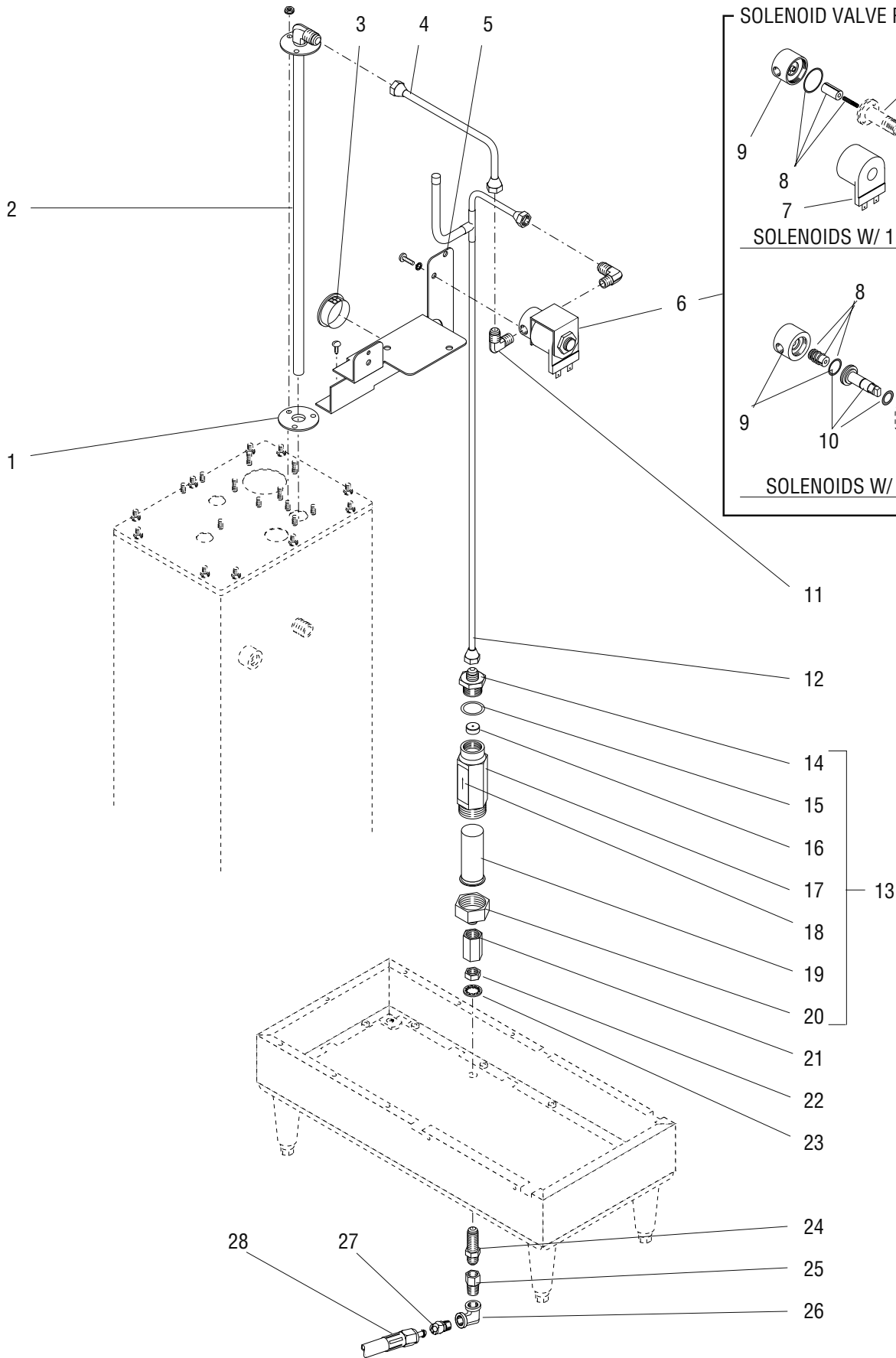
TANK HEATER & OVERFLOW PROTECTION DEVICES

ITEM	PART NO.	QTY.	DESCRIPTION
1	02536.0000	2	Grommet, Probe
2	20936.1000	1	Probe Kit (Includes items 3, 4 & 5)
3	01501.0000	1	Washer .164" I.D. x .375" O.D.
4	20203.0100	1	Lockwasher, Internal Tooth #8
5	00908.0000	1	Nut, Hex #8-32
6	23717.0001	1	Thermostat, Limit
	00908.0000	2	Nut, Hex #8-32
7	20922.1003	1	Tank Heater, 3700W @ 208V (Includes item 8)
	00908.0000	4	Nut, Hex #8-32
8	12398.0002	1	Gasket, Tank Heater
9	26622.0001	1	Tube Assy, Vent (Second type)
10	-----	1	Bracket, Overflow Cup Mounting (First type. Not available order item 20)
	27473.0000	1	Bracket, Overflow Cup Mounting (Second type)
11	03803.0000	1	Switch Assy, Liquid Level (Includes items 12, 13 & 14)
	00946.0000	1	Nut, Hex .125" FPT
12	03633.0000	2	Gasket, Float Switch (Only 1 used in this application)
13	-----	3	Washer, Adjusting (DO NOT USE IN THIS APPLICATION)
14	03807.0000	1	Clip, Spring
15	-----	1	Overflow Cup Assy (First type. Order item 20)
	22728.0000	1	Overflow Cup Assy (Second type)
	00971.0000	2	Nut, Keps #10-32
16	12422.0000	1	Clamp, Hose .47"/.54" I.D.
17	-----	1	Tube, Silicone .312" I.D. x 21.50" (Order item 2192)
18	-----	1	U-Channel (Not available - for shipping purposes only)
19	03236.1001	-	Tube, Silicone .312" I.D. x 36.0" (Not illustrated)
20	27461.0000	-	Kit, Square Overflow Cup



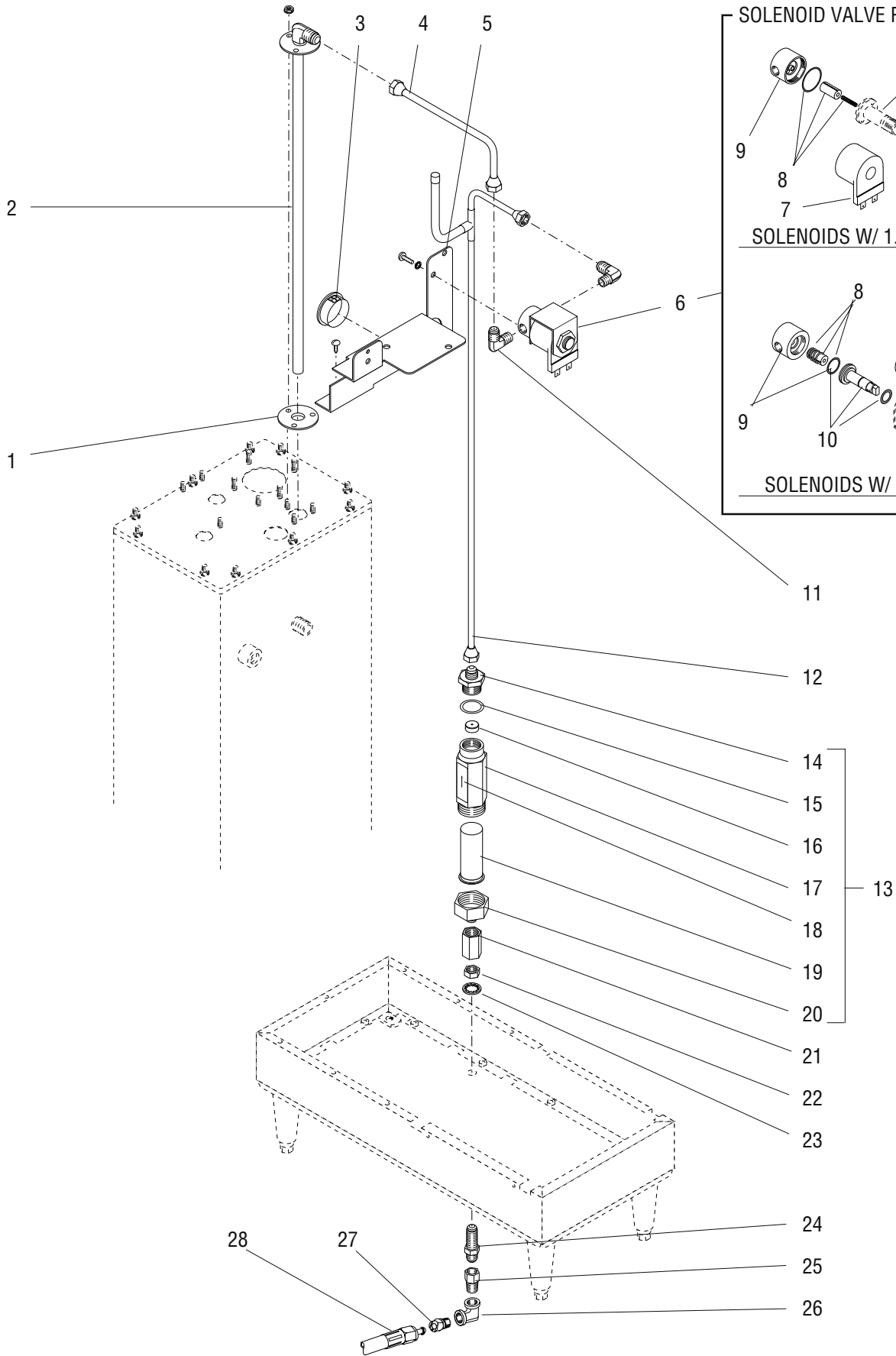
TANK AND MOUNTING BRACKETS

ITEM	PART NO.	QTY.	DESCRIPTION
1	-----	1	Bracket, Tank Support (Top)(Early models)(Not available, order Late Model Bracket)
	28909.0000	1	Bracket, Tank Support (Top)(Late models)
	02308.0000	1	Screw, Pan Head #8-32 x .375"
	00908.0000	2	Nut, Hex #8-32
2	22976.0000	1	Lid, Tank
	00908.0000	10	Nut, Hex #8-32
3	22978.0000	1	Gasket, Tank
4	23324.1000	1	Tank
5	23193.0000	1	Bracket, Tank Mounting (Bottom)
	00971.0000	2	Nut, Keps #10-32
	02308.0000	4	Screw, Pan Head #8-32 x .375"



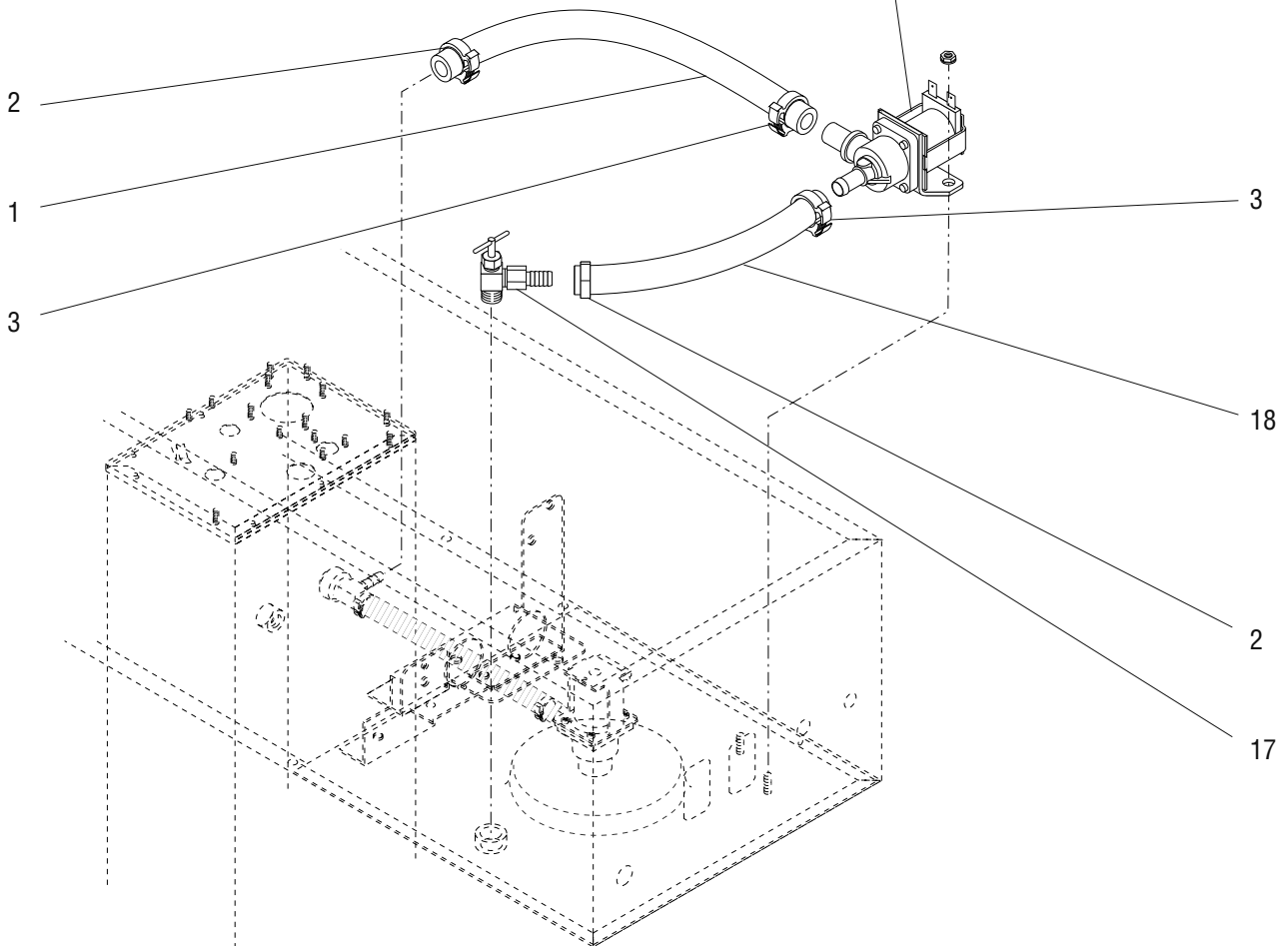
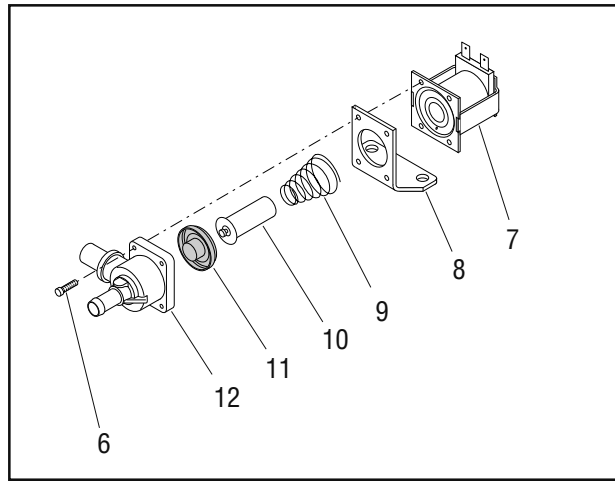
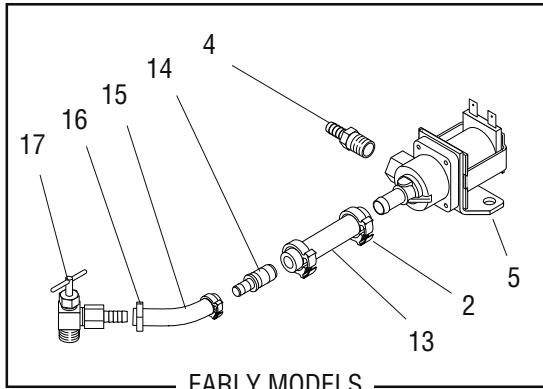
STRAINER/FLOW CONTROL - SOLENOID AND LINES

ITEM	PART NO.	QTY.	DESCRIPTION
1	05515.0000	1	Gasket, Spayhead Tube
2	22992.0001	1	Tube, Tank Fill
	00908.0000	3	Nut, Hex #8-32
3	01592.0001	1	Bushing, Snap 1.88" Dia. Hole
4	21812.0007	1	Tube Assy, Solenoid to Tank (Includes Nuts)
5	23015.0000	1	Bracket, Upper Component
	02308.0000	3	Screw, Pan Head #8-32 x .375"
6	-----	1	Solenoid Valve Assy, 120V - 1.48" Dia Coil (Not available, order 01085.0002)
	01085.0002	1	Solenoid Valve Assy, 120V - 1" Dia Coil
	01327.0000	2	Screw, Pan Head #10-32 x .375"
	01502.0000	2	Lockwasher, Split #10
7	01101.0000	1	Solenoid Valve Coil, 120V - 1.48" Dia Coil
	28480.0000	1	Solenoid Valve Coil, 120V - 1" Dia Coil
8	01111.0000	1	Solenoid Valve Repair Kit - 1.48" Dia Coil (Includes Plunger, Seal & Spring)
	01111.0002	1	Solenoid Valve Repair Kit - 1" Dia Coil (Includes Plunger, Spring & O-ring)
9	01079.0000	1	Solenoid Valve Base - 1.48" Dia Coil
	28479.0000	1	Solenoid Valve Base - 1" Dia Coil (Includes O-ring)
10	01116.0000	1	Guide - 1.48" Dia Coil
	28481.0000	1	Guide - 1" Dia Coil
11	00400.0001	2	Elbow, Male .250" Flare x .125" MPT
11	25160.0000	1	Tube Assy, Bulkhead to Solenoid
12	22300.0500	1	Strainer/Flow Control Assy (Includes items 13 thru 19)
13	01154.0000	1	Flow Control Outlet
14	01155.0000	1	Flow Control Gasket
15	20526.1500	1	Flow Washer/Gasket Set .500 GPM (Includes item 15)
16	-----	1	Body (Not available order item 12)
17	22307.0500	1	Decal, Strainer/Flow Control
18	23721.0000	1	Screen
19	22249.0000	1	End Cap
20	24614.0001	1	Union, .25" FFL x .25" FFL
21	00463.0000	1	Nut, Hex .438" - 20
22	01532.0000	1	Lockwasher, Internal Tooth .438" I.D.
23	00459.0000	1	Bulkhead Fitting, .250" Flare



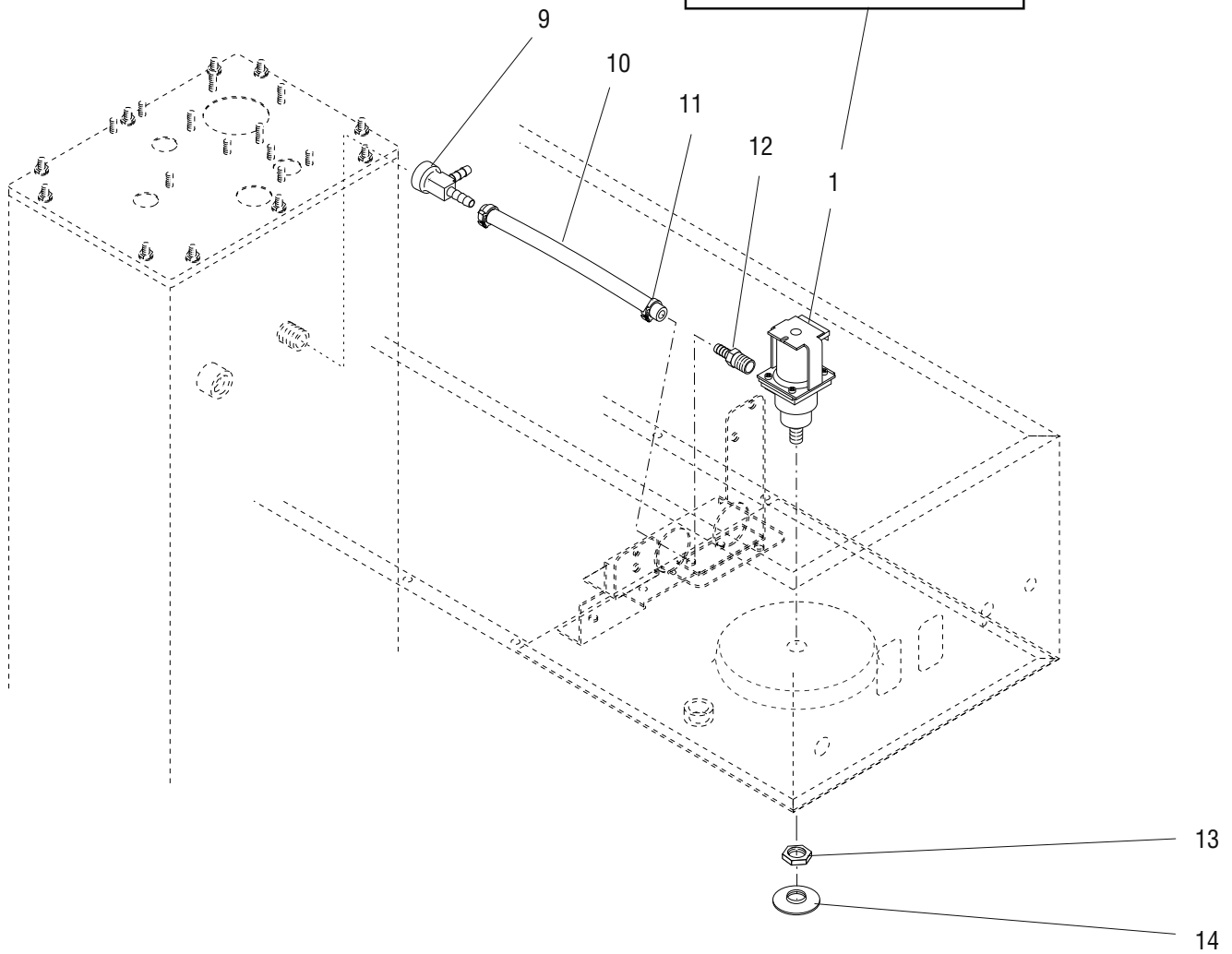
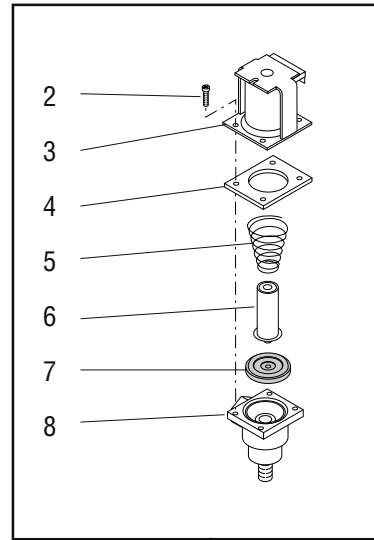
STRAINER/FLOW CONTROL - SOLENOID AND LINES

ITEM	PART NO.	QTY.	DESCRIPTION
24	00472.0001	1	Adapter, Hex .25" FFL x .25" MPT
25	00473.0001	1	Elbow, Union .25" FFL x .25" FFL
26	00424.0000	1	Coupling, Quick Female W/Shut-off
27	00327.0002	1	Hose Assembly
28	M2517.0000	-	Sealant, Pipe 6 ml (Not illustrated)



WATER BY-PASS

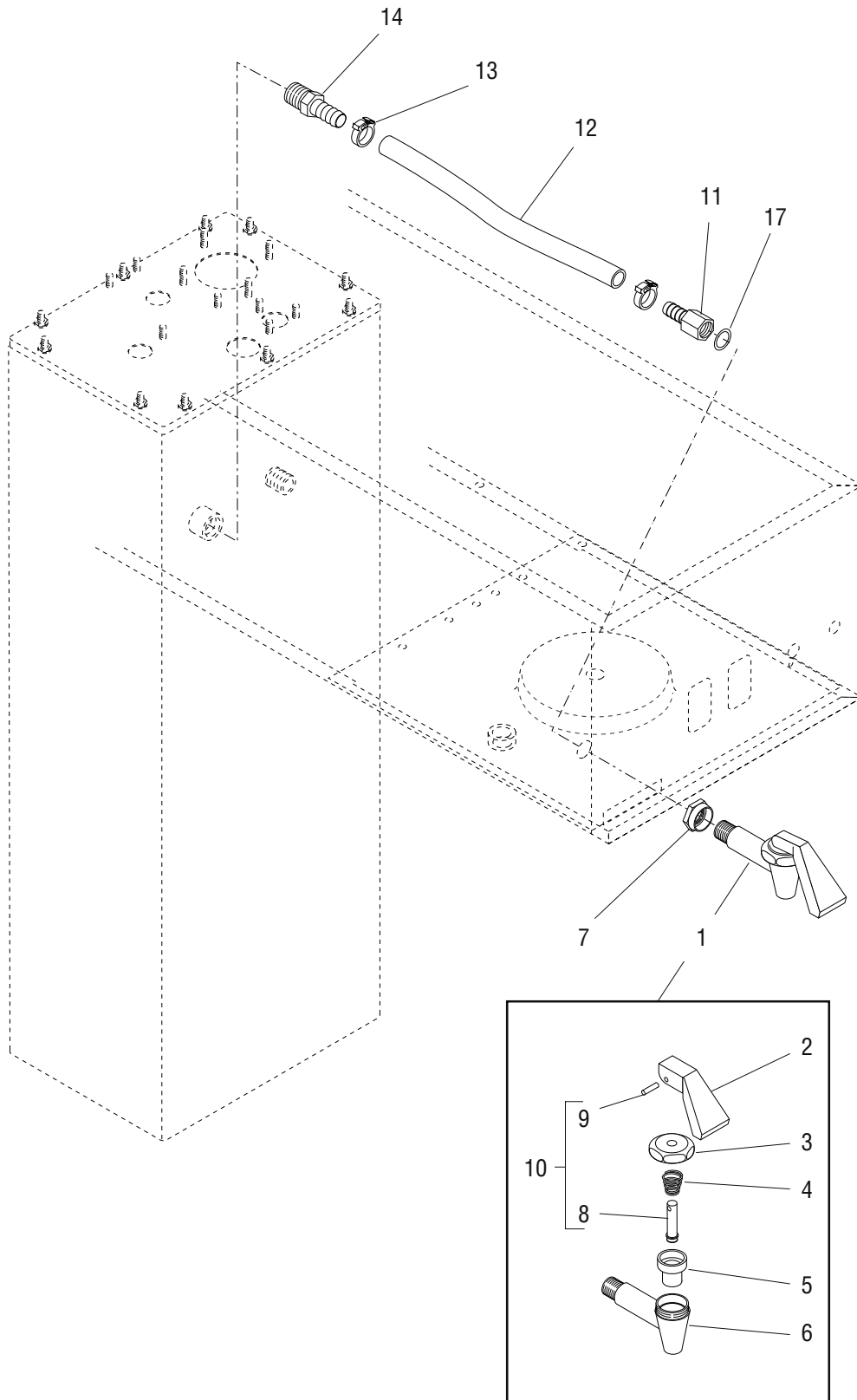
ITEM	PART NO.	QTY.	DESCRIPTION	
1	-----	1	Tube, Silicone .375" I.D. x .62" O.D. x 9.50" (Order item 18)	
2	12422.0001	2	Clamp, Hose .59"/.66" I.D.	
3	12422.0005	2	Clamp, Hose .62"/.71" I.D. (Late models)	
4	21136.0001	1	Fitting, Barb .375" x .25" MPT (Early models only)	
5	-----	1	Valve Assy, By-Pass 120V (Early models. Not available)	Includes items 6 thru 12
	27370.0000	1	Valve Assy, By-Pass 120V (Late models)	
	00970.0000	2	Nut, Keps #8-32	
6	23254.0000	4	Screw #8-32	
7	22305.0000	1	Coil Assy, By-Pass Valve 120V (Early models)	
	-----	1	Coil Assy, By-Pass Valve 120V (Late models, order item 5)	
8	-----	1	Bracket (Not available order item 5)	
9	-----	1	Spring (Not available order item 21)	
10	-----	1	Plunger (Not available order item 21)	
11	23255.0000	1	Diaphragm	
12	-----	1	Body (Not available order item 5)	
13	-----	1	Tube, Silicone .375" I.D. x .62" O.D. x 2.0" (Order item 20)	Early models only
14	27170.0001	1	Reducer Barb .375" x .25"	
15	-----	1	Tube, Silicone .25" I.D. x .50" O.D. x 2.40" (Order item 19)	
16	12422.0000	2	Clamp, Hose .47"/.54" I.D.	
17	-----	1	Valve Assy, Needle By-Pass .25" Barb (Early models)	
	20945.0002	1	Valve Assy, Needle By-Pass .375" Barb (Late models)	
18	-----	1	Tube, Silicone .375" I.D. x .62" O.D. x 4.75" (Order item 20)(Late models)	
19	11707.1000	1	Tube, Silicone .25" I.D. x 12.0"	Not illustrated
	11707.1001	1	Tube, Silicone .25" I.D. x 36.0"	
	11707.1002	1	Tube, Silicone .25" I.D. x 120.0"	
20	20976.1000	1	Tube, Silicone .375" I.D. x 12.0"	
	20976.1001	1	Tube, Silicone .375" I.D. x 36.0"	
	20976.1002	1	Tube, Silicone .375" I.D. x 120.0"	
21	11517.0008	-	Valve Repair Kit (Includes one each of items 9, 10 & 11)	



DISPENSE VALVE AND SPRAYHEAD

ITEM	PART NO.	QTY.	DESCRIPTION
1	26846.0000	1	Valve Assy, Sprayhead 120V (Includes items 2 thru 8)
2	23254.0000	4	Screw #8-32
3	22305.0000	1	Coil Assy, Dispensing Valve 120V
4	23256.0000	1	Spacer Plate
5	-----	1	Spring (Not available order item 16)
6	-----	1	Plunger (Not available order item 16)
7	23255.0000	1	Diaphragm
8	-----	1	Body (Not available order item 1)
9	26924.0000	1	Tee, Run .25" MPTF x .38" x .38" Barb
10	-----	1	Tube, Silicone .38" I.D. x .62" O.D. x 5.25" (Order item 15)
11	12422.0001	2	Clamp, Hose .59"/.66" I. D.
12	21136.0001	1	Fitting, Barb .375" x .25" MPT
13	01075.0000	1	Nut, Hex .438" - 20
14	01082.0002	1	Sprayhead
15	20976.1000	1	Tube, Silicone .375" I.D. x 12.0"
	20976.1001	1	Tube, Silicone .375" I.D. x 36.0"
	20976.1002	1	Tube, Silicone .375" I.D. x 120.0"
16	11517.0008	-	Valve Repair Kit (Includes one each of items 5, 6 & 7)

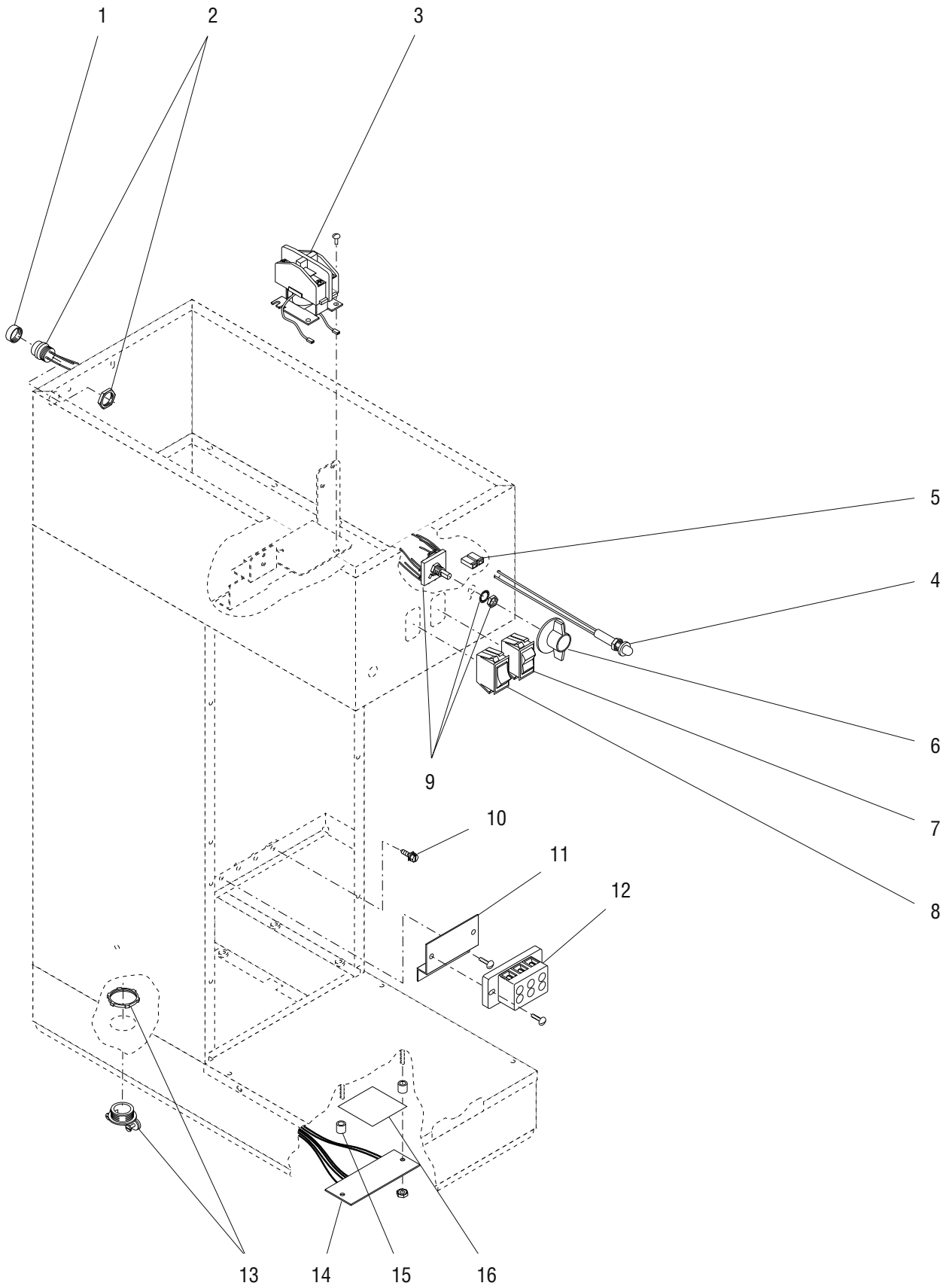
} Not illustrated



FAUCET

ITEM	PART NO.	QTY.	DESCRIPTION
1	02596.1005	1	Faucet Assy (Includes items 2 thru 6, 8 & 9)
2	02861.0000	1	Handle, Faucet
3	02854.0000	1	Bonnet, Faucet
4	02595.0000	1	Spring, Faucet
5	02766.0000	1	Seat Cup, Faucet
6	02856.0002	1	Body, Faucet
7	02850.0000	1	Jam Nut, Faucet
8	13054.0000	1	Stem, Faucet
9	02858.0000	1	Pin, Spring .125" Dia. x .50"
10	02594.0000	1	Faucet Stem W/Pin (Includes items 8 & 9)
11	12437.0000	1	Adapter, Barb
12	-----	1	Tube, Silicone .38" I.D. x .62" O.D. x 10.25" (Order item 15)
13	12422.0001	2	Clamp, Hose .59" x .66" I.D.
14	21136.0001	1	Fitting, Barb .375" x .25" MPT
15	20976.1000	1	Tube, Silicone .38" I.D. x .62" O.D. x 12.0"
	20976.1001	1	Tube, Silicone .38" I.D. x .62" O.D. x 36.0"
	20976.1002	1	Tube, Silicone .38" I.D. x .62" O.D. x 120.0"
16	M2517.0000	-	Sealant, Pipe 6ml
17	27574.0000	1	Washer. Sealing
18	28706.0002	-	Faucet Kit (Includes items 2, 4, 5, 8 & 9)

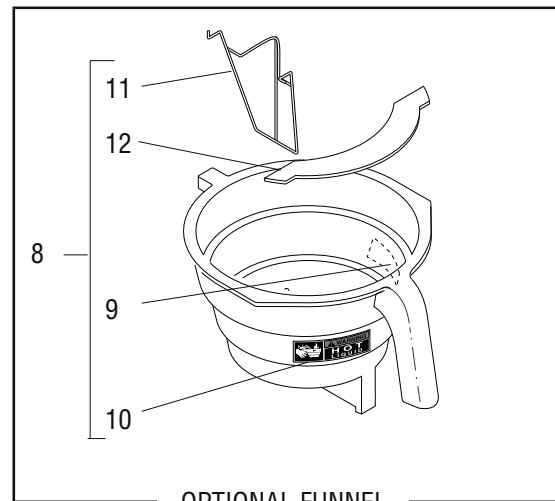
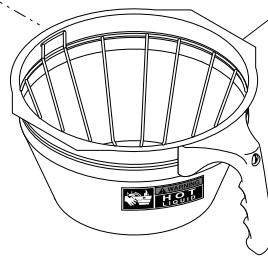
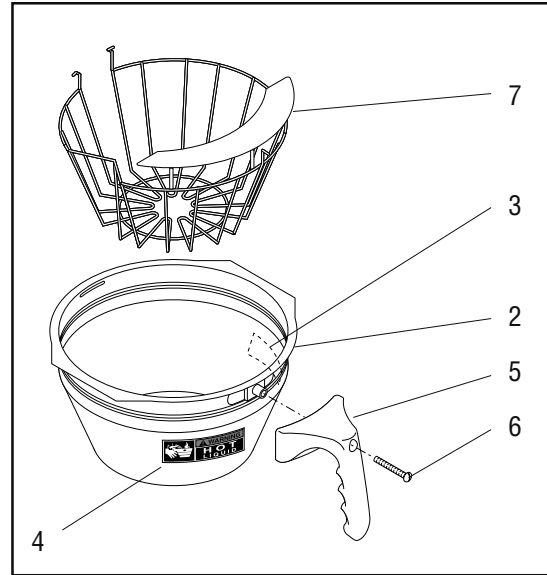
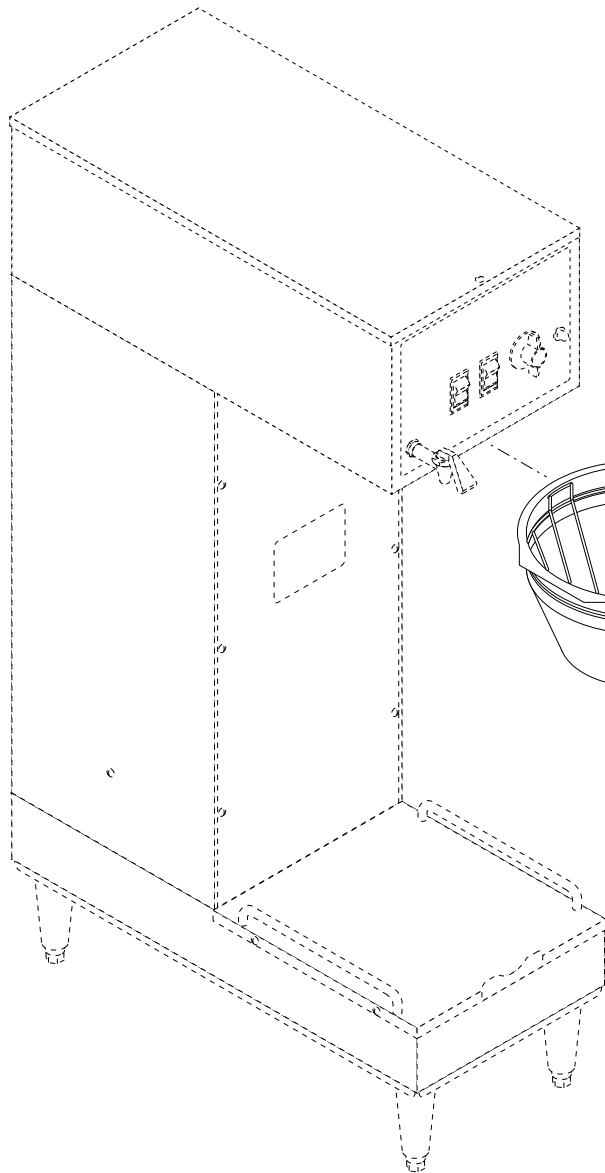
} Not Illustrated



ELECTRICAL CONTROLS & READY LIGHT

ITEM	PART NO.	QTY.	DESCRIPTION
1	27657.0000	1	Dustcap
2	12274.0002	1	Socket Assy W/Leads, Interface
3	06335.1000	1	Contactor Assy, 120V Coil
	01327.0000	2	Screw, Pan Head #10-32 x .375"
4	12984.0002	1	Light Assy, 120V (Includes item 5)
5	04243.0000	2	Terminal Housing, Receptacle
6	12246.0000	1	Knob, Rotary Switch
7	02753.0000	1	Switch, On/Off 120V
8	02628.0000	1	Switch, Momentary- Start
9	20969.0006	1	Switch Assy, Rotary
10	01309.0000	1	Ground Screw W/Terminal Washer #10-32 x .50"
11	23004.0000	1	Bracket, Terminal Block Mounting
	02308.0000	2	Screw, Pan Head #8-32 x .375"
12	07038.0000	1	Terminal Block, 3 Pole
	01317.0000	2	Screw, Truss Head #8-32 x .375"
13	01590.0000	1	Connector, Cable
14	27072.1000	1	Circuit Board, Server Sensor
	00970.0000	2	Nut, Keps #8-32
15	01533.0000	2	Spacer .171" I.D. x .375" O.D.
16	27116.0000	1	Shield, Circuit Board
17	01699.0000	1	Cord, Power
18	27026.0006	1	Wiring Harness, Main
19	23378.0000	1	Wiring Harness, Contactor
20	27077.0000	1	Wiring Harness, Server Sensor

Not illustrated



OPTIONAL FUNNEL

FUNNEL

ITEM	PART NO.	QTY.	DESCRIPTION
1	20201.1201	1	Funnel Assy, SST (Includes Items 2 thru 7)
2	24462.0000	1	Funnel W/Decals (Includes items 3 & 4)
3	03408.0000	1	Decal, Caution-Remove Funnel
4	03409.0000	1	Decal, Caution-Hot Liquid
5	20201.1100	1	Handle, Funnel-Black
6	12499.0002	1	Screw, Round Head .25" - 20 x 1.50"
7	----- 33089.0000	1 1	Filter Basket (First Type. Not available, order Second Type) Filter Basket w/ Splash Guard (Second Type)
8	22735.0001	1	Funnel Assy, Plastic-Smoke (Includes items 9, 10, 11 & 12)
9	03408.0000	1	Decal, Caution-Remove Funnel
10	03409.0000	1	Decal, Caution-Hot Liquid
11	21911.0000	1	Funnel Adapter, Water By-Pass
12	32965.0000	1	Splash Guard

NUMERICAL INDEX

PART NO.	PAGE NO.	PART NO.	PAGE NO.	PART NO.	PAGE NO.	PART NO.	PAGE NO.
00327.0002	15	02861.0000	21	22728.0000	9	28909.0000	11
00400.0001	13	03236.1001	9	22735.0001	25	32400.0002	7
00424.0000	15	03408.0000	25	22976.0000	11	32540.0000	5
00459.0000	13	03409.0000	25	22978.0000	11	32965.0000	25
00472.0001	15	03633.0000	9	22992.0001	13	33089.0000	25
00463.0000	13	03803.0000	9	23004.0000	23	M2517.0000	15,21
00473.0001	15	03807.0000	9	23015.0000	13		
00619.0007	5	03996.0000	5	23024.0007	5		
00656.0000	5	04243.0000	23	23193.0000	11		
00658.0000	5	04314.0001	7	23254.0000	17,19		
00720.0000	7	05515.0000	13	23255.0000	17,19		
00831.0000	5	06335.1000	23	23256.0000	19		
00908.0000	9,11,13	07038.0000	23	23324.1000	11		
00916.0000	5	07073.0000	7	23378.0000	23		
00946.0000	9	07074.1026	7	23418.0002	5		
00970.0000	5,17,23	10044.0000	5	23717.0001	9		
00971.0000	9,11	11517.0008	17,19	23721.0000	13		
01075.0000	19	11591.0000	5	24462.0000	25		
01079.0000	13	11707.1000	17	24486.1000	7		
01082.0002	19	11707.1001	17	24614.0001	13		
01085.0002	13	11707.1002	17	25151.0000	5		
01101.0000	13	12246.0000	23	25160.0000	13		
01111.0000	13	12249.0001	5	25766.0000	5		
01111.0002	13	12274.0002	23	26207.0000	5		
01116.0000	13	12398.0002	9	26306.0002	5		
01154.0000	13	12422.0000	9,17	26528.0000	5		
01155.0000	13	12422.0001	17,19,21	26619.0000	9		
01309.0000	23	12422.0005	17	26622.0001	9		
01317.0000	23	12437.0000	21	26801.0000	5		
01327.0000	13,23	12499.0002	25	26801.0001	5		
01347.0000	7	12552.0000	9	26830.0000	5		
01382.0003	5	12919.0008	7	26846.0000	19		
01388.0000	7	12984.0002	23	26872.0000	5		
01501.0000	9	13054.0000	21	26878.0000	5		
01502.0000	13	13255.0003	5	26880.0000	5		
01510.0000	7	20201.1100	25	26918.1000	5		
01511.0000	7	20201.1201	25	26924.0000	19		
01532.0000	13	20201.5600	5	27026.0006	23		
01533.0000	7,23	20203.0100	9	27072.1000	23		
01590.0000	23	20526.1500	13	27077.0000	23		
01592.0001	13	20922.1003	9	27078.0000	5		
01699.0000	23	20936.1000	9	27099.0003	5		
02308.0000	5,7,11,13,23	20945.0002	17	27116.0000	23		
02336.0000	5	20948.0001	7	27170.0001	17		
02536.0000	9	20969.0006	23	27202.0001	5		
02594.0000	21	20976.1000	17,19,21	27370.0000	17		
02595.0000	21	20976.1001	17,19,21	27461.0000	9		
02596.1005	21	20976.1002	17,19,21	27473.0000	9		
02628.0000	23	21136.0001	17,19,21	27574.0000	21		
02753.0000	23	21812.0007	13	27657.0000	23		
02766.0000	21	21911.0000	25	28377.0000	7		
02850.0000	21	22249.0000	13	28479.0000	13		
02854.0000	21	22300.0500	13	28480.0000	13		
02856.0002	21	22305.0000	17,19	28481.0000	13		
02858.0000	21	22307.0500	13	28707.0002	21		