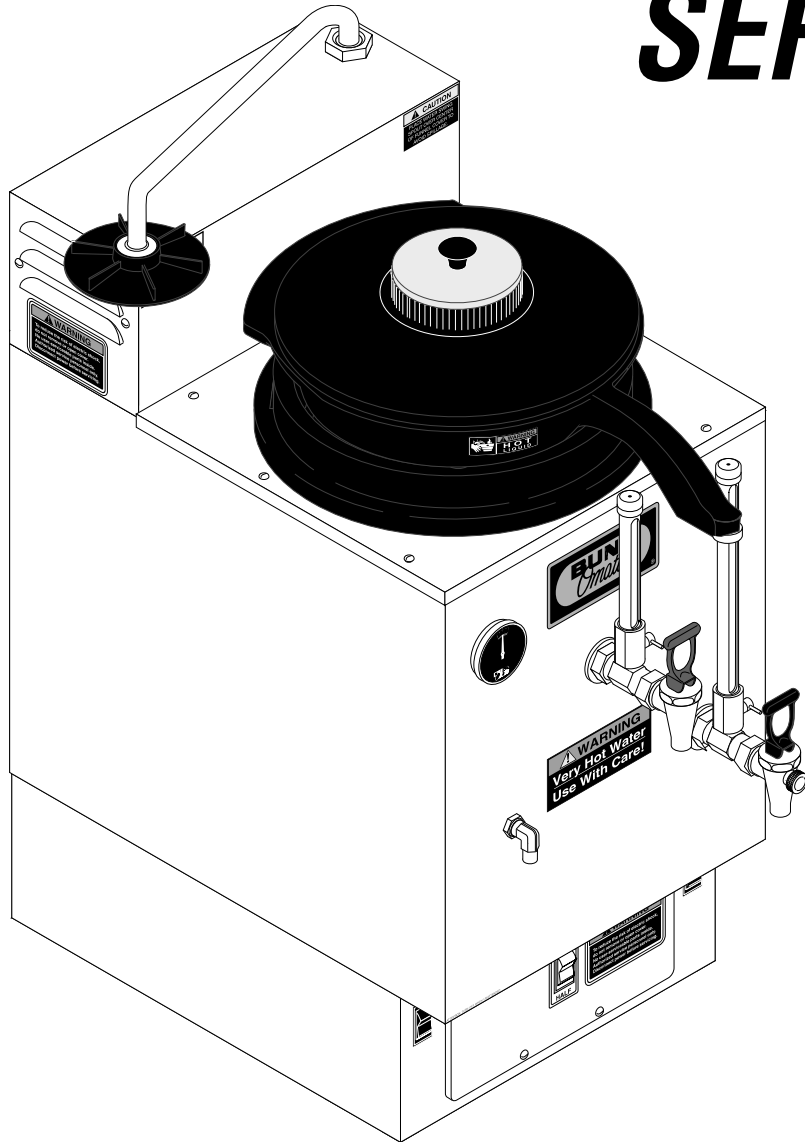




SRU/SRUA SERIES



ILLUSTRATED PARTS CATALOG

Designs, materials, weights, specifications, and dimensions for equipment or replacement parts are subject to change without notice.

BUNN-O-MATIC CORPORATION

POST OFFICE BOX 3227

SPRINGFIELD, ILLINOIS 62708-3227

PHONE: (217) 529-6601 FAX: (217) 529-6644



BUNN-O-MATIC COMMERCIAL PRODUCT WARRANTY

Bunn-O-Matic Corp. ("BUNN") warrants equipment manufactured by it as follows:

- 1) Airpots, thermal carafes, decanters, GPR servers, iced tea/coffee dispensers, MCR/MCP/MCA single cup brewers, thermal servers and ThermoFresh® servers (mechanical and digital) 1 year parts and 1 year labor.
- 2) All other equipment - 2 years parts and 1 year labor plus added warranties as specified below:
 - a) Electronic circuit and/or control boards - parts and labor for 3 years.
 - b) Compressors on refrigeration equipment - 5 years parts and 1 year labor.
 - c) Grinding burrs on coffee grinding equipment to grind coffee to meet original factory screen sieve analysis - parts and labor for 4 years or 40,000 pounds of coffee, whichever comes first.

These warranty periods run from the date of installation BUNN warrants that the equipment manufactured by it will be commercially free of defects in material and workmanship existing at the time of manufacture and appearing within applicable warranty period. This warranty does not apply to any equipment, component or part that was not manufactured by BUNN or that, in BUNN's judgment, has been affected by misuse, neglect, alteration, improper installation or operation, improper maintenance or repair, non periodic cleaning and descaling, equipment failures related to poor water quality, damage or casualty. In addition, the warranty does not apply to replacement of items subject to normal use including but not limited to user replaceable parts such as seals and gaskets. This warranty is conditioned on the Buyer 1) giving BUNN prompt notice of any claim to be made under this warranty by telephone at (217) 529-6601 or by writing to Post Office Box 3227, Springfield, Illinois 62708-3227; 2) if requested by BUNN, shipping the defective equipment prepaid to an authorized BUNN service location; and 3) receiving prior authorization from BUNN that the defective equipment is under warranty. **THE FOREGOING WARRANTY IS EXCLUSIVE AND IS IN LIEU OF ANY OTHER WARRANTY, WRITTEN OR ORAL, EXPRESS OR IMPLIED, INCLUDING, BUT NOT LIMITED TO, ANY IMPLIED WARRANTY OF EITHER MERCHANTABILITY OR FITNESS FOR A PARTICULAR PURPOSE.** The agents, dealers or employees of BUNN are not authorized to make any modifications to this warranty or to make additional warranties that are binding on BUNN. Accordingly, statements by sales individuals, whether oral or written, do not constitute warranties and should not be relied upon.

If BUNN determines in its sole discretion that the equipment does not conform to the warranty, BUNN, at its exclusive option while the equipment is under warranty, shall either 1) provide at no charge replacement parts and/or labor (during applicable parts and labor warranty periods specified above) to repair the defective components, provided that this repair is done by a BUNN Authorized Service Representative; or 2) shall replace the equipment or refund the purchase price of the equipment.

THE BUYER'S REMEDY AGAINST BUNN FOR THE BREACH OF ANY OBLIGATION ARISING OUT OF THE SALE OF THIS EQUIPMENT, WHETHER DERIVED FROM WARRANTY OR OTHERWISE, SHALL BE LIMITED, AT BUNN'S SOLE OPTION AS SPECIFIED HEREIN, TO REPAIR, REPLACEMENT OR REFUND.

In no event shall BUNN be liable for any other damage or loss, including, but not limited to, lost profits, lost sales, loss of use of equipment, claims of Buyer's customers, cost of capital, cost of down time, cost of substitute equipment, facilities or services, or any other special, incidental or consequential damages.

392, A Partner You Can Count On, Air Infusion, AutoPOD, AXIOM, BrewLOGIC, BrewMETER, Brew Better Not Bitter, BrewWISE, BrewWIZARD, BUNN Espresso, BUNN Family Gourmet, BUNN Gourmet, BUNN Pour-O-Matic, BUNN, BUNN the stylized red line, BUNNlink, Bunn-OMatic, Bunn-O-Matic, BUNNserve, BUNNSERVE with the stylized wrench design, Cool Froth, DBC, Dr. Brew stylized Dr. design, Dual, Easy Pour, EasyClear, EasyGard, FlavorGard, Gourmet Ice, Gourmet Juice, High Intensity, iMIX, Infusion Series, Intellisteam, My Café, Phase Brew, PowerLogic, Quality Beverage Equipment Worldwide, Respect Earth, Respect Earth with the stylized leaf and coffee cherry design, Safety-Fresh, savemycoffee.com, Scale-Pro, Silver Series, Single, Smart Funnel, Smart Hopper, SmartWAVE, Soft Heat, SplashGard, The Mark of Quality Beverage Equipment Worldwide, ThermoFresh, Titan, trifacta, TRIFECTA (stylized logo), Velocity Brew, Air Brew, Beverage Bar Creator, Beverage Profit Calculator, Brew better, not bitter., Build-A-Drink, BUNNSource, Coffee At Its Best, Cyclone Heating System, Daypart, Digital Brewer Control, Element, Milk Texturing Fusion, Nothing Brews Like a BUNN, Pic Prompted Cleaning, Pouring Profits, Signature Series, Sure Tamp, Tea At Its Best, The Horizontal Red Line, Ultra are either trademarks or registered trademarks of Bunn-O-Matic Corporation. The commercial trifacta® brewer housing configuration is a trademark of Bunn-O-Matic Corporation.

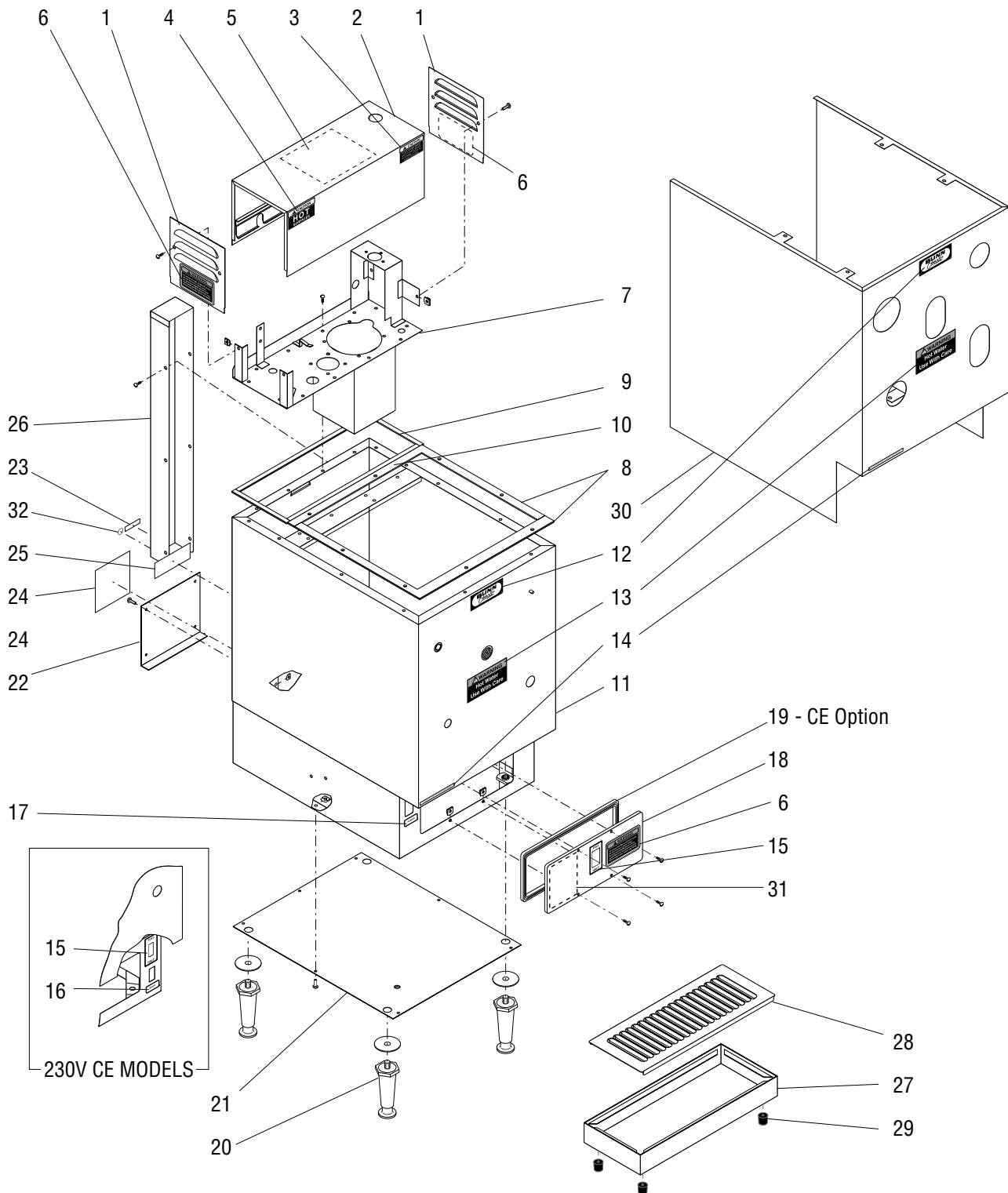
TABLE OF CONTENTS

Housing, Panels and Covers	4
Funnels, Sprayheads, Filter Baskets and Supports.....	8
Strainer and Solenoid Valve Piping (Early Models)	10
Strainer and Solenoid Valve Piping (Late Models)	12
Thermostats and Tank Heaters.....	14
Pump, Motor and Mounting.....	16
Swing Spout and Mounting.....	18
Reservoirs, Faucets and Sight Gauges.....	20
Electrical and Operating Controls	24
Numerical Index.....	28



HOUSING, PANELS, COVERS AND CE OPTIONS

SRU



HOUSING, PANELS, COVERS AND CE OPTIONS

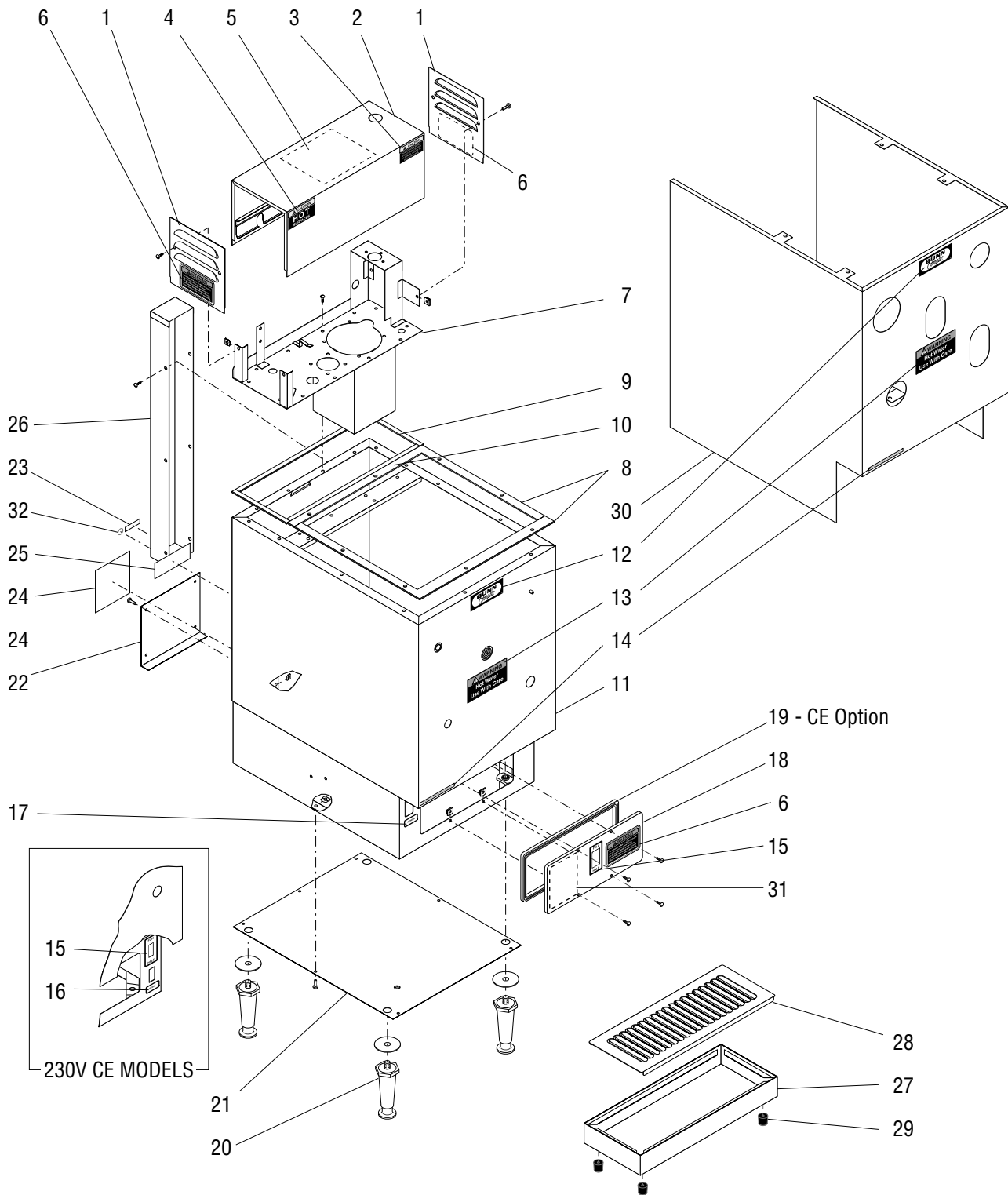
ITEM	PART NO.	QTY.	DESCRIPTION
1	06352.1000	2	Cover w/Decals, End (Includes item 6)
	01317.0000	4	Screw, Truss Head #8-32 x .50"
	00917.0000	4	Fastener, "J" Type #8-32
2	06411.1000	1	Housing w/o Interlock (Includes items 3 & 4)
	06411.1001	1	Housing w/Interlock, 230V CE (Includes items 3,4 & 5)
3	29299.0000	1	Decal, Caution - Swing Spout
4	12555.0000	1	Decal, Caution - Hot Surfaces
5	10491.0003	1	Schematic, Electrical
6	37881.0000	3	Decal, No Serviceable Parts (1 Less used on 230V CE Models)
7	06407.0000	1	Plate, Component Mounting
	01311.0000	10	Screw, Truss Head #8-32 x .25"
	01315.0000	2	Screw, Truss Head #8-32 x .38"
8	07288.0000	2	Gasket, Reservoir Mounting
9	07289.0003	2	Gasket, Panel Mounting - 5.6" LG
10	07289.0002	2	Gasket, Panel Mounting - 13.25" LG
11	06409.1000	1	Housing (Single Service)(120/240V) (Includes items 13 - 17, 23 - 25)
	06409.1003	1	Housing (Single Service) 230V CE w/o Legs (Includes items 13 - 17, 23 - 25)
	06409.1005	1	Housing w/Decals 230V CE Models w/Legs (Includes items 13 - 17, 23 - 25)
	Obsolete	1	Housing (Double Service brewers) (120/240V)
	Obsolete	1	Housing (Single Service brewers) (230V Marine Applications)
12	00875.0000	1	Decal, BUNN
13	12593.0000	1	Decal, Warning - Very Hot Water
14	00878.0000	1	Decal, Turn Off When Unattended
15	06427.0000	1	Decal, Full-Half (120/240V)
	06427.0001	1	Decal, Full-Half (230V CE)
16	32897.0000	1	Decal, START (230V CE)
17	32898.0000	1	Decal, POWER
18	06434.0000	1	Cover, Front Access (120/240V)
	04957.0000	1	Cover, Front Access (230V)
	01318.0000	4	Screw, Round Head #8-32 x .50"
	00917.0000	4	Fastener, "J"-Type #8-32
19	02434.1001	1	Gasket, U-Channel - 36" (Cut to required length 27.5") (230V CE)
20	00501.0000	4	Leg 4", .312"-18 thread (Early Models) (230V CE Option Only)
	00502.0000	4	Leg 4", .375"-16 thread (Late Models) (230V CE Option Only)
	01539.0000	4	Washer (Early Models)
	26342.0000	4	Washer (Late Models)

* Indicates the part number listed is for reference only. See DESCRIPTION for possible service replacement.



HOUSING, PANELS, COVERS AND CE OPTIONS

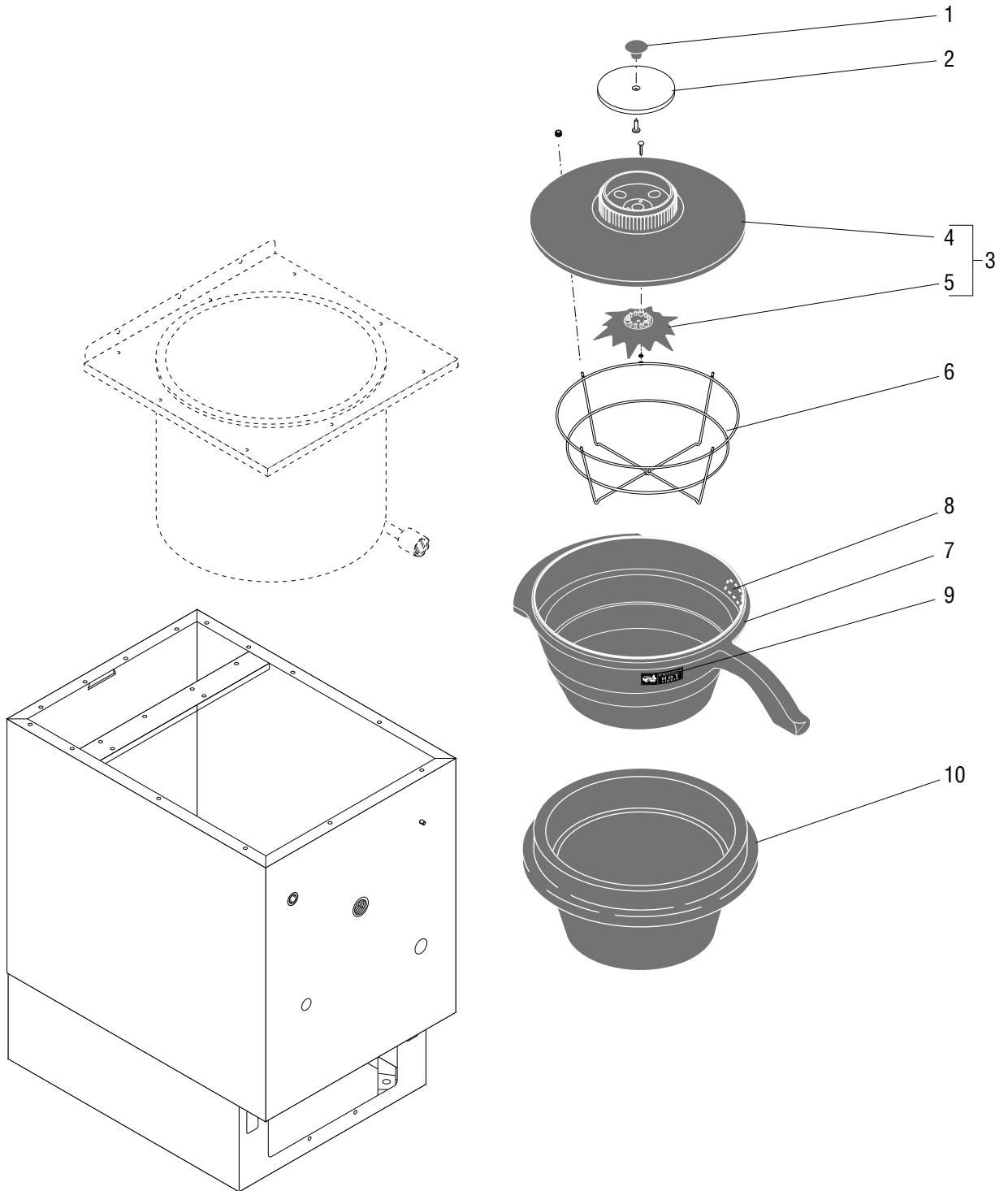
SRU



HOUSING, PANELS, COVERS AND CE OPTIONS

ITEM	PART NO.	QTY.	DESCRIPTION
21	06351.0000	1	Plate, Bottom
	01311.0000	7	Screw, Truss Head #8-32 x .25"
	00917.0000	7	Fastener, "J"-Type #8-32
22	06350.0000	1	Cover, Rear Access
	01315.0000	4	Screw, Truss Head #8-32 x .38"
	00917.0000	4	Fastener, "J"-Type #8-32
23	27443.0000	1	Decal, Fuse Rating (230V CE)
24	00831.0000	1	Decal, Warning - Electrical
25	00656.0000	1	Decal, Comply to Plumbing Code
26	06360.0000	1	Cover, Rear Utility
	01311.0000	6	Screw, Truss Head #8-32 x .25"
27	06465.0001	1	Drip Tray Assy. (Includes items 28 thru 30) (<i>Optional</i>)
28	32878.0000	1	Cover, Drip Tray (<i>Optional</i>)
29	04002.1001	1	Foot, Set of 4 (Optional)
30	32828.1000	1	Shroud, Housing w/Decals (Includes items 12,13 & 14) (<i>Optional</i>)
31	32540.0001	1	Decal, Batch Set (Digital Timer - Late Models)
32	00824.0001	1	Decal, Equipotentiality (230V CE)

* Indicates the part number listed is for reference only. See DESCRIPTION for possible service replacement.



FUNNELS, SPRAYHEADS, FILTER BASKETS AND SUPPORTS

ITEM	PART NO.	QTY.	DESCRIPTION
1	00725.0000	1	Knob, Plastic - Black
	01315.0000	1	Screw, Truss Head #8-32 x .38"
2	01192.0000	1	Cover
3	07023.0003	1	Cover Assy, Plastic - Black (Includes items 4 & 5)
4	-----	1	Cover, Plastic - Black (Not available. Order item 3)
5	07024.1002	1	Sprayhead, Plastic - Black (Includes hardware below, except for acorn nuts)
	01339.0000	3	Screw, Pan Head #6-32 x .625"
	01520.0000	3	Lockwasher, Split #6
	00906.0000	3	Nut, Hex #6-32
6	07175.0000	1	Filter Housing Stand
7	07022.0012	1	Funnel w/Decals, Plastic - Black (Includes items 8 & 9)
8	03408.0000	1	Decal, Warning - Remove Funnel Slowly
9	03409.0000	1	Decal, Warning - Hot Liquid
10	07021.0002	1	Support, Funnel Plastic - Black (Refer to Item 12)
11	02564.0002	-	Funnel Cover Lid Kit (Includes items 1 & 2)
12	07121.0002	-	Funnel Kit, Plastic - Black (Includes items 3,7 & 10)

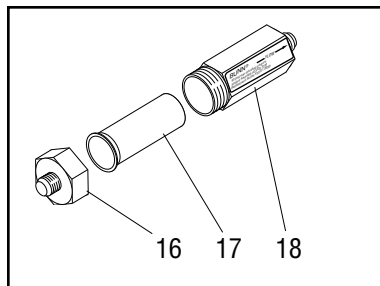
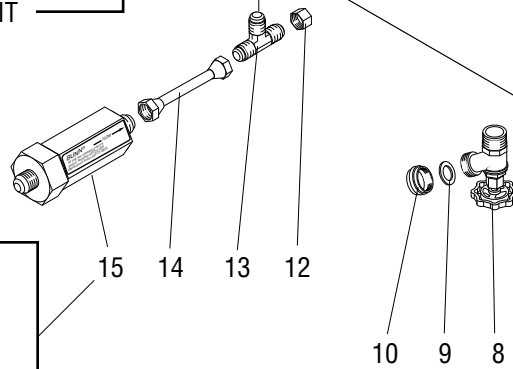
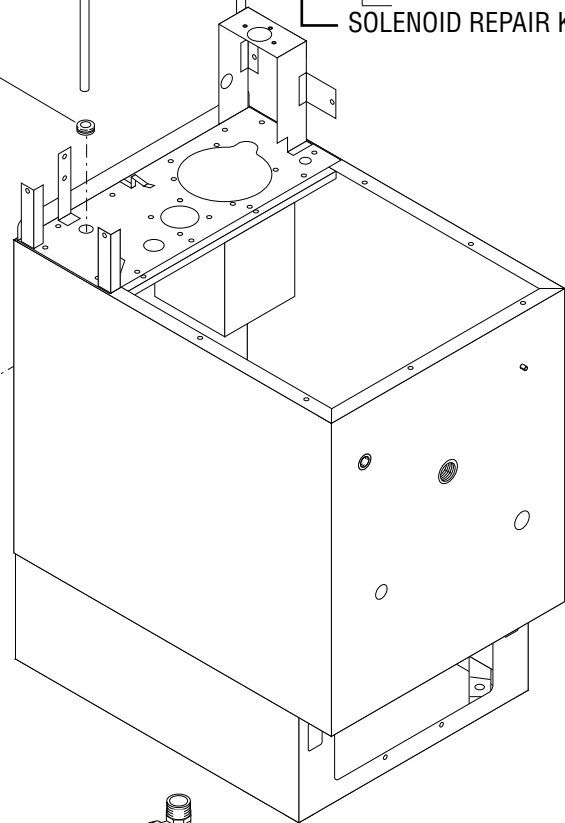
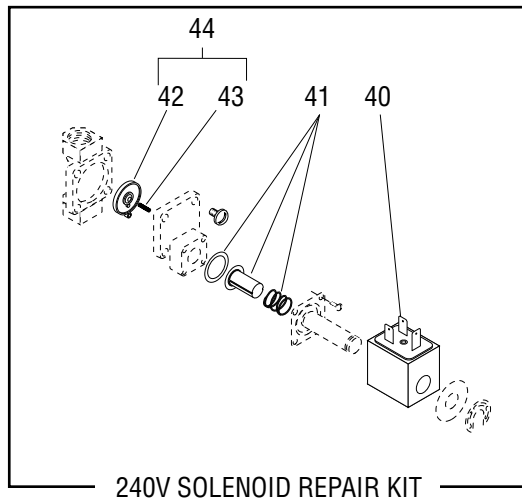
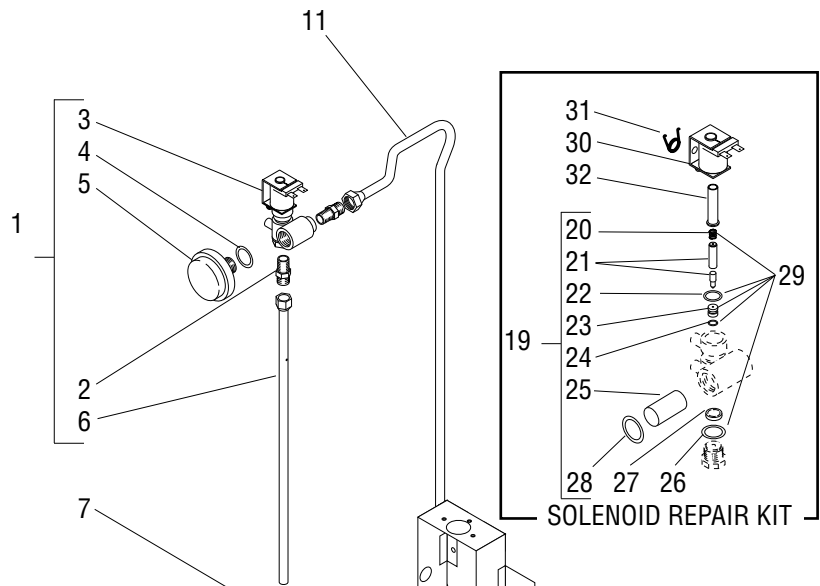
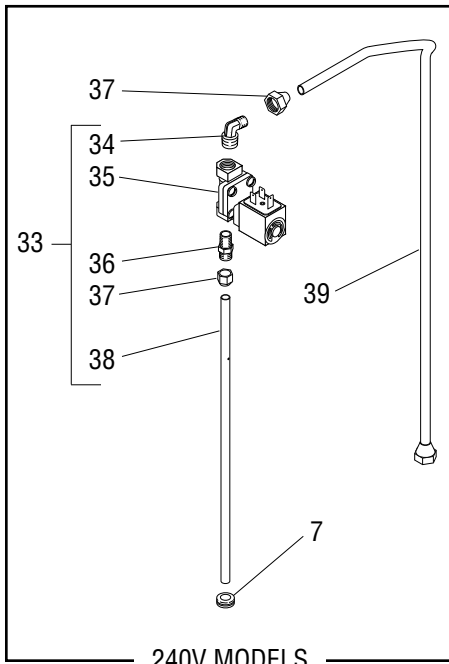
} Refer to Item 11

* Indicates the part number listed is for reference only. See DESCRIPTION for possible service replacement.



STRAINER AND SOLENOID VALVE PIPING (Early Models)

SRU



P2056

STRAINER AND SOLENOID VALVE PIPING (Early Models)

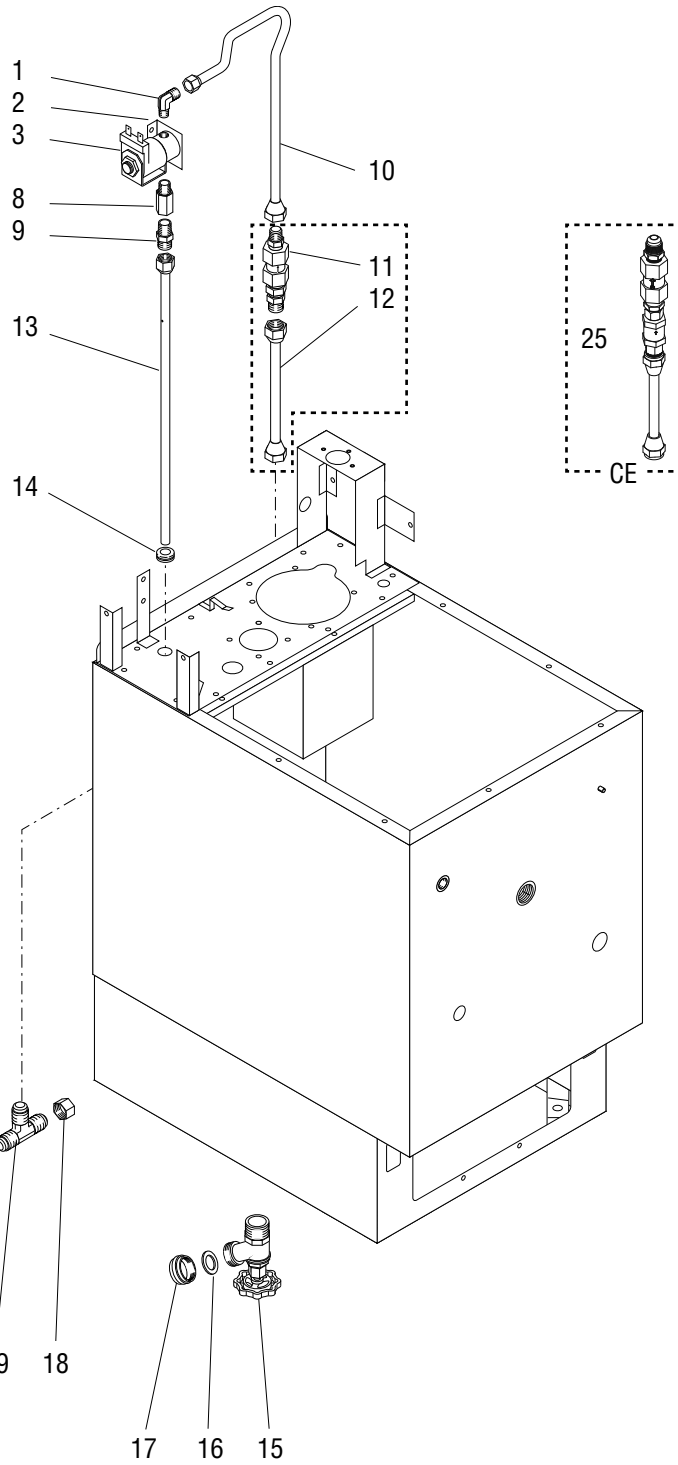
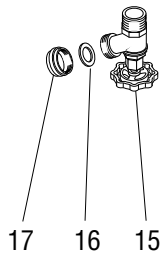
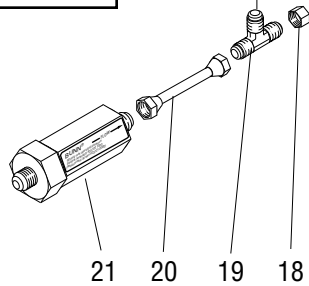
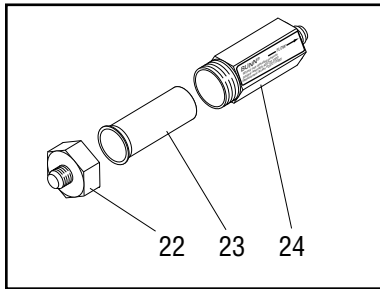
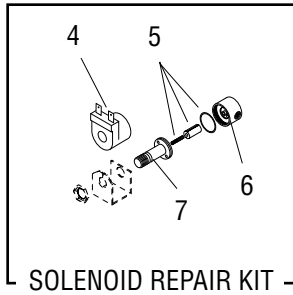
ITEM	PART NO.	QTY.	DESCRIPTION
1	07052.0000*	1	Solenoid Valve Assy, 120V (Obsolete, Order Kit # 37420.0000)
	07052.0002*	1	Solenoid Valve Assy, 240V (Obsolete, Order Kit # 37420.0001)
2	07072.0000	2	Connector, Male Brass .38" Tube x .25" Male
3	-----	1	Solenoid Valve (Order item 1)(Refer to Items 27 & 37)
4	01537.0000	1	Washer, Nylon
5	07083.1000*	1	Air Chamber, Solenoid Valve (Obsolete)
6	07051.1000	1	Tube Assy Inlet (Includes Nut and Ferrules)
7	07075.0000	1	Grommet, Inlet Tube Assy 120V
	02536.0000	1	Grommet, Inlet Tube Assy 230V
8	01258.0000	1	Valve, Fill/Drain
9	01536.0000	1	Gasket, Fill/Drain Valve
10	40058.0000	1	Cap, Vinyl
11	06365.1000	1	Tube Assy - Tee to Solenoid Valve (Includes nut and ferrules)
12	00976.0000	1	Cap .38" Flare
13	07112.0000	1	Tee .38" Male Flare
14	21807.0001	1	Tube Assy - Tee to Strainer
15	23720.0000	1	Strainer Assy (Includes items 16,17 & 18)
16	23723.0000	1	Cap, End
17	23721.0000	1	Screen
18	-----	1	Housing, Strainer (Order item 15)
19	07261.0000	1	Repair Kit, Solenoid (Includes items 7, 20 thru 28)
20	-----	1	Spring, Plunger (Order item 19)
21	-----	1	Plunger Assy (Order item 19)
22	07264.0000	1	O-Ring, Bonnet
23	-----	1	Seat, Plunger (Order item 19)
24	-----	1	O-Ring, Plunger Seat (Order item 19)
25	-----	1	Screen (Order item 19)
26	-----	1	Gasket, Orifice Plate (Order item 19)
27	-----	1	Diaphragm, Flow 1.0 GPM (Order item 19)
28	01537.0000	1	Washer, Nylon
29	07261.0001	1	Seal Kit, Solenoid (Includes items 7, 20, 22, 23, 24 & 26)
30	07025.0000	1	Coil, Solenoid (120V)(Includes item 31)
	07025.0002	1	Coil, Solenoid (240V)(Includes item 31)
31	07050.0000	1	Clip, Spring
32	07272.0000	1	Bonnet, Plunger
33	28043.0000*	1	Solenoid Valve Assy, 240V (Order 37420.0001)
34	27907.0000	1	Elbow, .38" MPT x .38" Compression
35	28037.0000*	1	Solenoid Valve (Order 37420.0001)
36	28040.0000	1	Connector, .38" MPT x .38" Compression
37	00929.0001	4	Nut/Sleeve, .38" Tube
38	28531.0000	1	Tube Assy, Inlet- Solenoid to Housing (Includes item 37)
39	28532.0000	1	Tube Assy, Tee to Solenoid (Includes item 37)
40	28020.0000	1	Coil
41	28021.0000	1	Core Assy Kit (Includes Core, Spring and O-ring)
42	49734.0000	1	Diaphragm
43	29648.0000	1	Spring
44	29649.0001	1	Diaphragm and Spring Kit (Includes item 42 & 43)

* Indicates the part number listed is for reference only. See DESCRIPTION for possible service replacement.



STRAINER AND SOLENOID VALVE PIPING (Late Models)

SRU



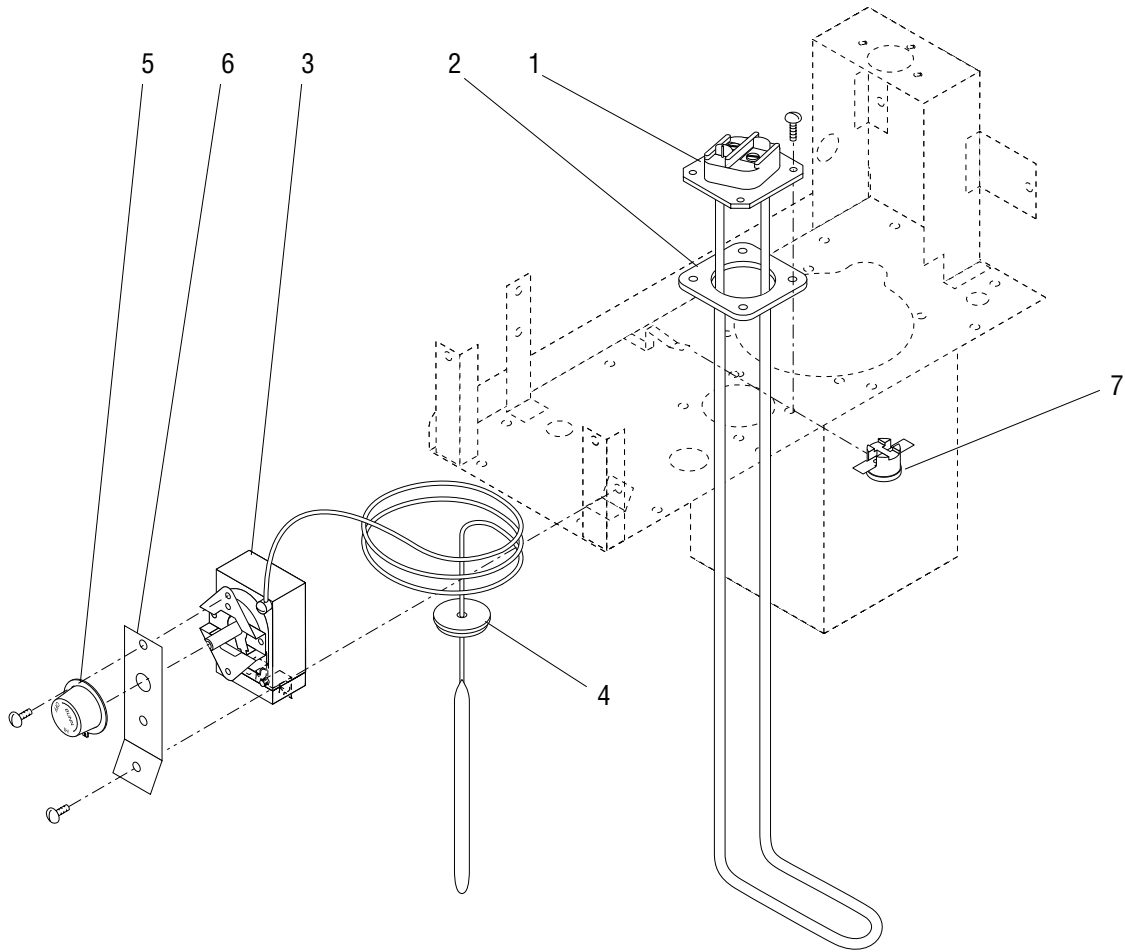
STRAINER AND SOLENOID VALVE PIPING (Late Models)

ITEM	PART NO.	QTY.	DESCRIPTION
1	21695.0001	1	Elbow
2	36996.0000	1	Bracket
	01327.0000	2	Screw, Pan Head #10-32 x .38"
3	01085.0000	1	Solenoid Valve 120V (Includes items 4 - 7)
	01975.0000	1	Solenoid Valve 240V (Includes items 4 - 7)
	01327.0000	2	Screw, Pan Head #10-32 x .38"
	01501.0000	2	Lockwasher, Split #10
4	01101.0000	1	Solenoid Valve Coil 120V
	01100.0000	1	Solenoid Valve Coil 240V
5	01111.0000	1	Solenoid Valve Repair Kit (Includes Plunger, Seal and Spring)
6	01079.0000	1	Solenoid Valve Base
7	01116.0000	1	Sleeve Assy, Solenoid Valve
8	00458.0001	1	Adapter
9	00406.0001	1	Fitting
10	37005.0000	1	Tube
11	27596.0001	1	Flow Control
12	21807.0003	1	Tube
13	07051.1000	1	Tube Assy Inlet (Includes Nut and Ferrules)
14	07075.0000	1	Grommet, Inlet Tube Assy 120V
	02536.0000	1	Grommet, Inlet Tube Assy 230V
15	01258.0000	1	Valve, Fill/Drain
16	01536.0000	1	Gasket, Fill/Drain Valve
17	40058.0000	1	Cap, Vinyl
18	00976.0000	1	Cap .38" Flare
19	07112.0000	1	Tee .38" Male Flare
20	21807.0001	1	Tube Assy - Tee to Strainer
21	23720.0000	1	Strainer Assy (Includes items 22,23 & 24)
22	23723.0000	1	Cap, End
23	23721.0000	1	Screen
24	-----	1	Housing, Strainer (Order item 21)
25	46555.1000	1	Kit, Backflow Assembly w/Check Valve (CE Only)

The following items are not illustrated:

26	36994.0000	1	Valve Assy., Solenoid 120VAC (Includes 1-3, 8, 9, 13)
	36994.0001	1	Valve Assy., Solenoid 240VAC (Includes 1-3, 8, 9, 13)

* Indicates the part number listed is for reference only. See DESCRIPTION for possible service replacement.



THERMOSTATS AND TANK HEATERS

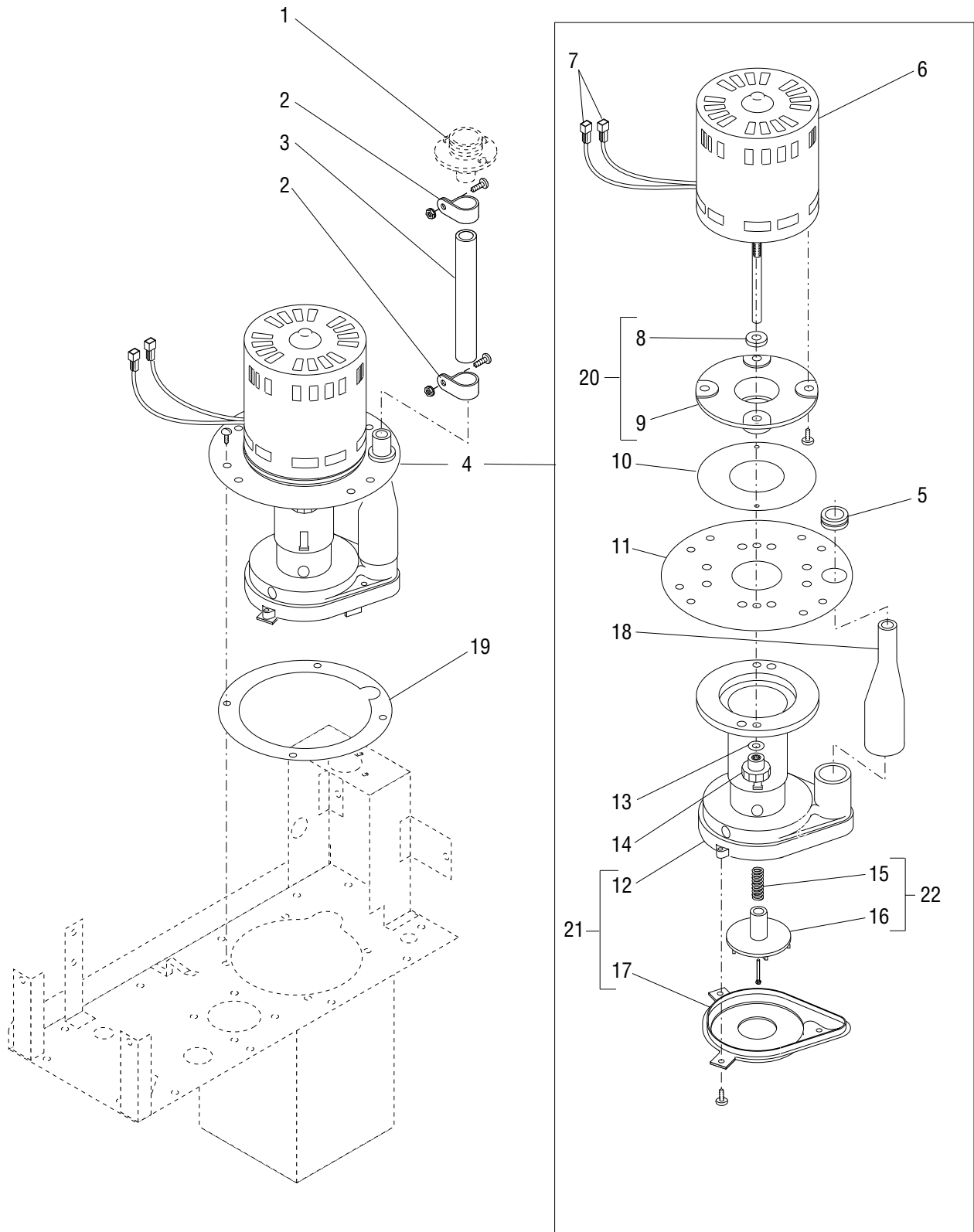
ITEM	PART NO.	QTY.	DESCRIPTION
1	07185.1000	1	Tank Heater, 3950W @ 208V
	07186.1000	1	Tank Heater, 3950W @ 240V
	07191.1000	1	Tank Heater, 6000W @ 240V
	01315.0000	4	Screw, Truss Head #8-32 x .375"
			} Includes item 2
2	12398.0000	1	Gasket, Tank Heater
3	07045.0000	1	Thermostat Kit (Includes items 4,5 & 6)
	02328.0003	2	Screw, Pan Head #6-32 x .312"
	20762.0000	2	Screw, Binding Head #8-32 x .25"
4	07073.0001	1	Grommet, Thermostat
5	00720.0000	1	Knob, Thermostat Adjustment
6	27923.0000	1	Bracket, Thermostat Mounting
	01315.0000	1	Screw, Truss Head #8-32 x .375"
	01502.0000	1	Lockwasher #8
7	29329.1000	1	Thermostat, Limit

* Indicates the part number listed is for reference only. See DESCRIPTION for possible service replacement.



PUMP, MOTOR AND MOUNTING

SRU



P2058

PUMP, MOTOR AND MOUNTING

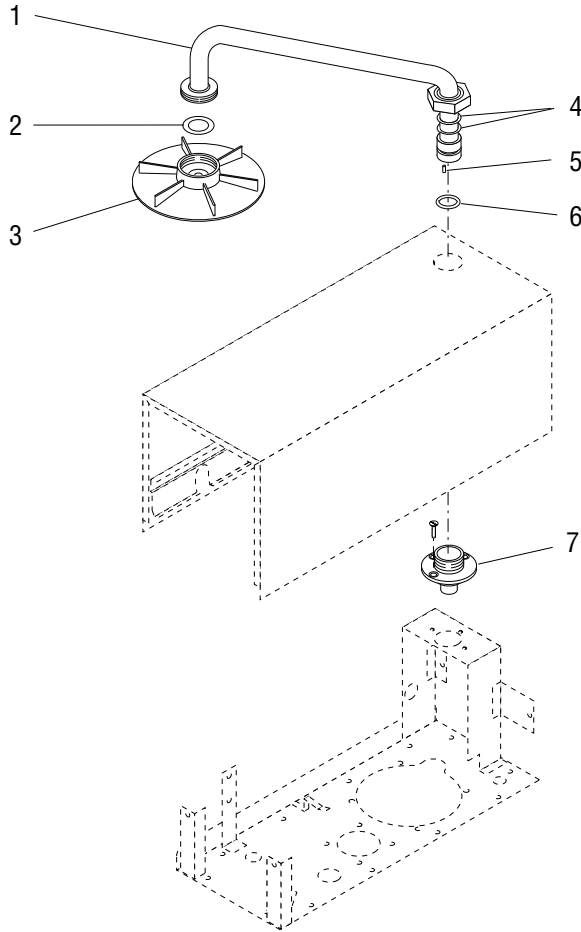
ITEM	PART NO.	QTY.	DESCRIPTION
1	-----	1	Fitting, Swing Spout Base (See Swing Spout and Mounting)
2	00620.0000	2	Clamp, Cable - Nylon .687" I.D.
	01315.0000	2	Screw, Truss Head #8-32 x .38"
	00970.0000	2	Nut, Keps #8-32
3	07129.1000	1	Tube, Silicone .438" I.D. x 4.5" LG
4	-----	1	Pump Assy, 120V 60HZ (Includes items 5 thru 18) (Order item 23)
	-----	1	Pump Assy, 230V 50HZ (Includes items 5 thru 18) (Order item 23)
	-----	1	Pump Assy, 230V 60HZ (Includes items 5 thru 18) (Order item 23)
	01315.0000	4	Screw, Truss Head #8-32 x .375"
	00912.0000	4	Fastener "J" Type #8-32
5	07044.0000	1	Grommet, Pump
6	-----	1	Motor, 120V 60HZ (Order item 23)
	-----	1	Motor, 230V 50HZ (Order item 23)
	-----	1	Motor, 230V 60HZ (Order item 23)
7	07014.0000	2	Terminal Housing .25" Spade
8	-----	1	Seal (Not Available. Order item 20 or 23)
9	-----	1	Retainer, Seal (Order Item 20 or 23)
	28623.0000	2	Screw, Pan Head #8-32 x .25"
10	28624.0000	1	Gasket, Seal Retainer
11	-----	1	Plate, Pump Mounting (Order item 23)
12	-----	1	Pedestal, Pump (Order item 21 or 23)
13	28614.0000	2	Washer, #10
14	28617.0000	2	Thumb Nut, #10-32
15	28628.0000	1	Spring, Impeller (See item 22)
16	-----	1	Impeller 60HZ (Order item 22 or 23)
	-----	1	Impeller 50HZ (Order item 22 or 23)
	07167.0000	1	Screw, Impeller
17	28626.0000	1	Base Plate
	28626.0001	1	Base Plate (50 Hz)
	28629.0000	3	Screw, Pan Head #8-18 x .375"
18	07086.0000	1	Adaptor, Pump
19	07047.0000	1	Gasket, Pump Mounting (Refer to item 23)
20	28632.0000	-	Seal/Retainer Assy (Includes items 8 & 9)
21	28618.0000	-	Kit, Pedestal/Base Plate/Screws 60HZ (Includes items 12 & 17)
	28618.0001	-	Kit, Pedestal/Base Plate/Screws 50HZ (Includes items 12 & 17)
22	28631.0000	-	Impeller/Spring Assy 60HZ (Includes items 15 & 16)
	28631.0001	-	Impeller/Spring Assy 50HZ (Includes items 15 & 16)
23	07097.0000	-	Pump & Motor Kit, 120V 60HZ (Includes items 2 thru 11 & Instructions)
	07097.0008	-	Pump & Motor Kit, 240V 50HZ (Includes items 2 thru 11 & Instructions)
	07097.0004	-	Pump & Motor Kit, 240V 60HZ (Includes items 2 thru 11 & Instructions)
	28630.0000	-	Kit, Pump Rebuild (60HZ) (Includes items 2,3,5,8,9,10,12 thru 19 & Instructions)
	28630.0001	-	Kit, Pump Rebuild (50HZ) (Includes items 2,3,5,8,9,10,12 thru 19 & Instructions)

* Indicates the part number listed is for reference only. See DESCRIPTION for possible service replacement.

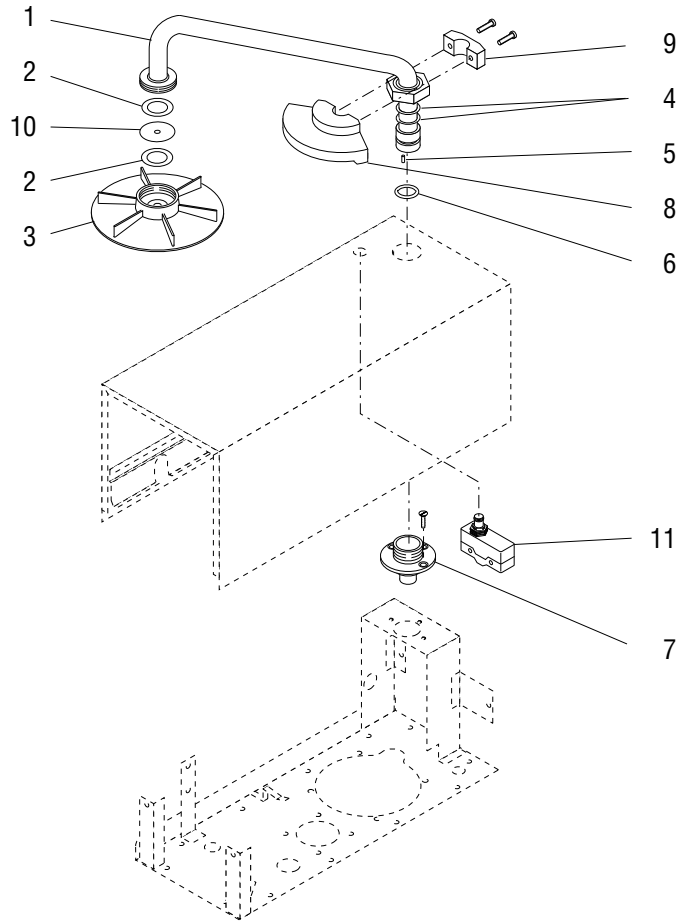


SWING SPOUT AND MOUNTING

SRU



BREWERS W/OUT BY-PASS



BREWERS W/INTERLOCK

SWING SPOUT AND MOUNTING

ITEM	PART NO.	QTY.	DESCRIPTION
1	-----	1	Swing Spout (Refer to Item # 13)
2	01201.0000	1	Gasket, Swing Spout
3	07026.1002	1	Shield, Swing Spout
4	32947.0000	1	Washer, Split
5	06420.0000	4	Pin, Swing Spout
6	07011.0000	1	O-Ring, Swivel Body
7	-----	1	Fitting, Swing Spout Base (Refer to Item # 13)
	01359.0000	3	Screw, Flat Head #8-32 x .38"
	00970.0000	3	Nut, Keps #8-32
8	32871.0000	1	Cam, Swing Spout
9	32899.0000	1	Clamp, Swing Spout
	01338.0000	2	Screw, Truss Head #8-32 x .62"
10	33651.0000	1	Washer, Flat
11	32905.0000	1	Switch, Snap Acting

The following items are not illustrated:

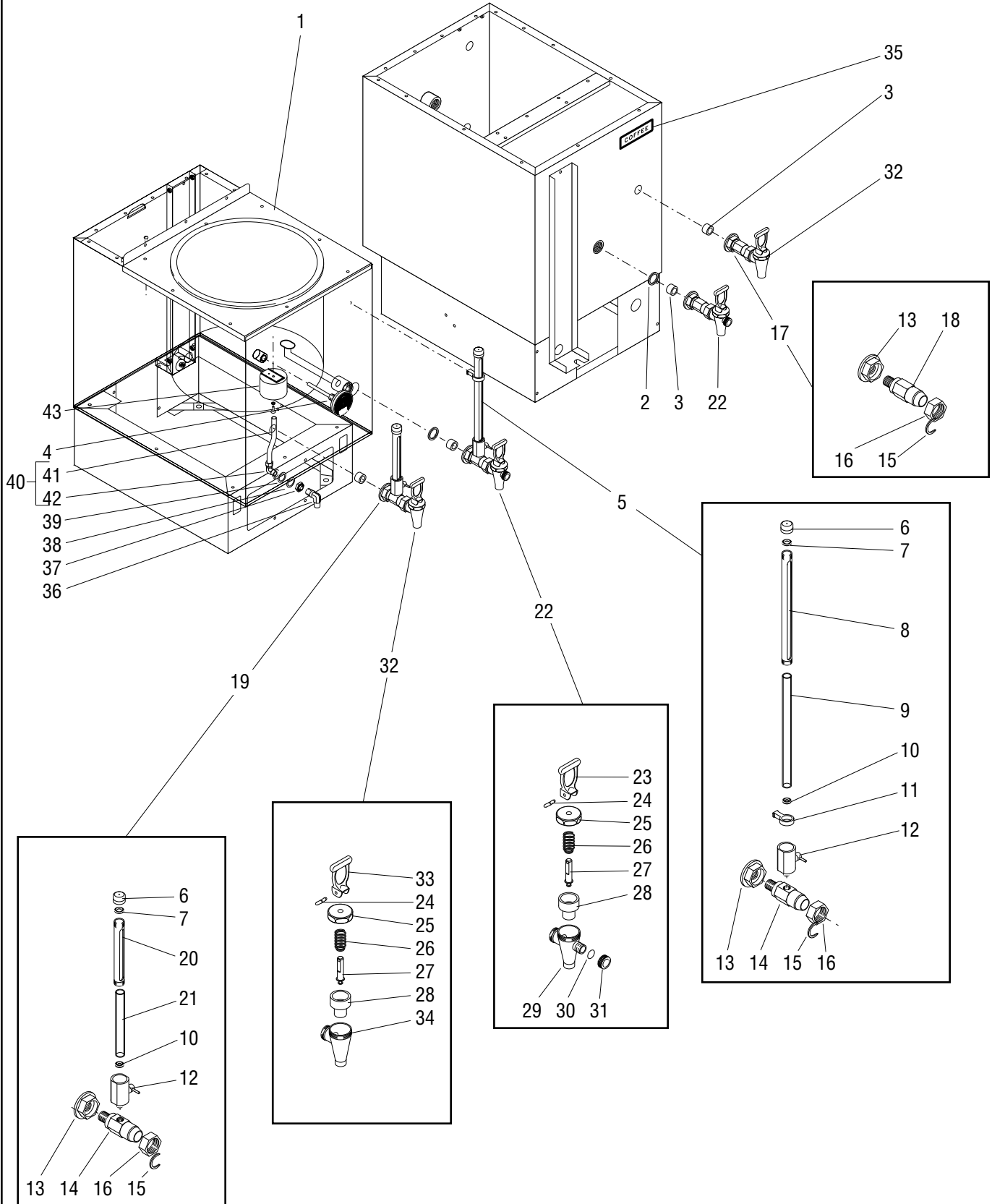
12	32904.0000	1	Harness, Wire - Swing Spout Interlock (not pictured)
13	07148.1000	1	Kit, Swing Spout (Includes 1, 4-7)
14	07018.0001	1	Kit, Swing Spout (Includes 1 thru 7)

* Indicates the part number listed is for reference only. See DESCRIPTION for possible service replacement.



RESERVOIRS, FAUCETS AND SIGHT GAUGES

SRU



P2060

RESERVOIRS, FAUCETS AND SIGHT GAUGES

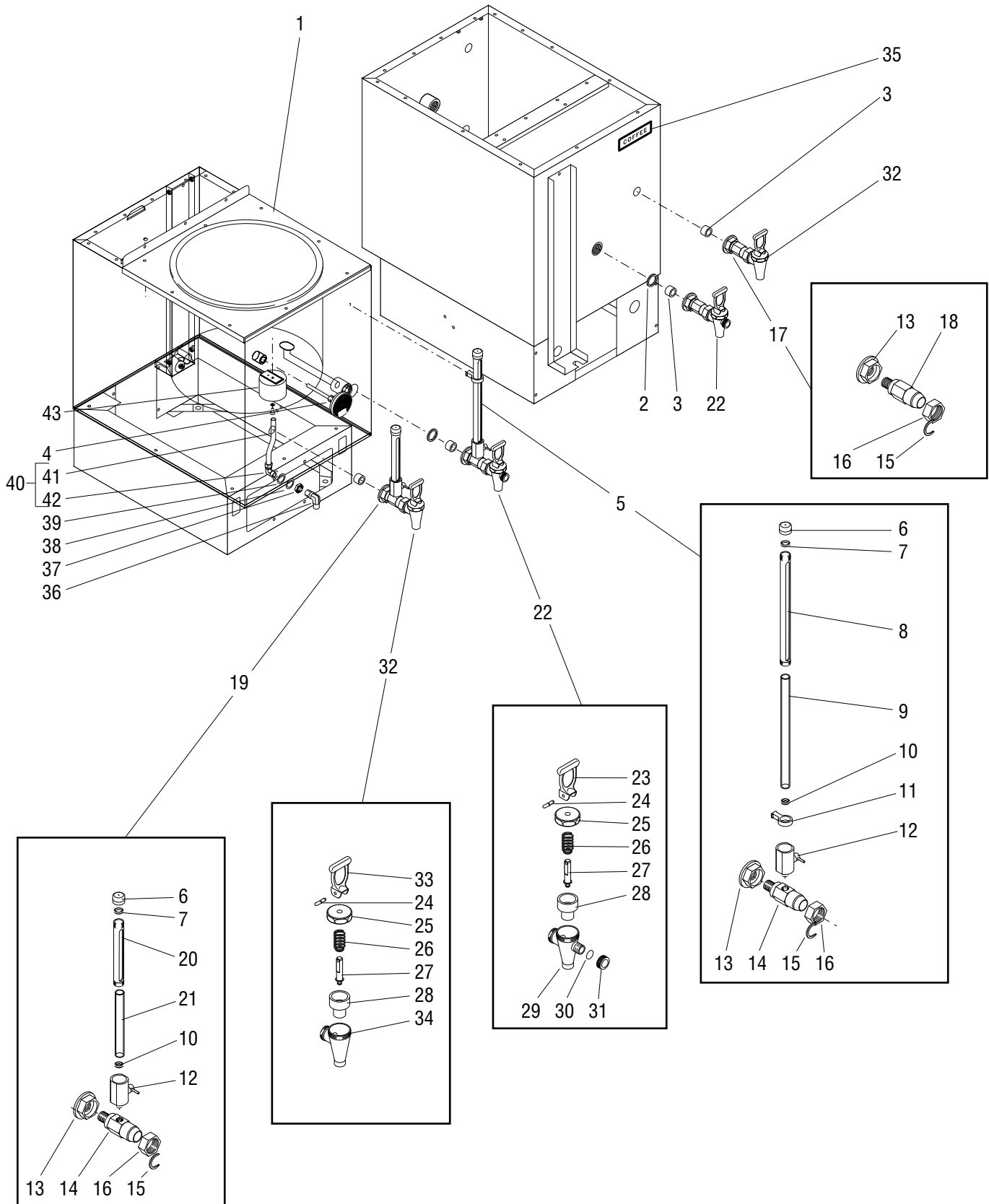
ITEM	PART NO.	QTY.	DESCRIPTION
1	06362.0000	1	Reservoir Kit (Single Service brewers)(Includes items 2,3 & 43)
	06424.0000*	1	Reservoir Kit (Double Service brewers)(Obsolete)
	01311.0000	8	Screw, Truss Head #8-32 x .25"
	00917.0000	3	Fastener, "J" Type #8-32
2	07064.0000	1	Gasket (One additional used with Double Service brewers)
3	07079.0000	2	Gasket, Faucet Shank (Two additional used with Double Service brewers)
4	07032.0000	1	Gauge, Water Temperature
5	07060.0000	2	Faucet Shank, W/7.0" Sight Gauge (Includes items 6 thru 16)
6	01293.0000	1	Cap, Sight Gauge
7	01291.0000	1	Washer, Sight Gauge Cap
8	26687.0003	1	Shield, Sight Gauge - 7.0" LG
9	01265.1000	1	Glass, Sight Gauge - 7.0" LG
10	01292.0000	1	Washer, Sight Gauge Base
11	01287.0000	1	Brace, Sight Gauge
12	01267.0000	1	Valve, Sight Gauge Shut-Off
13	07119.0000	1	Nut, Faucet Shank
14	-----	1	Shank, Faucet (Order item 5)
15	01221.0000	1	C-Ring, Faucet Shank
16	01268.0000	1	Union Nut, Faucet
17	07061.0000	2	Faucet Shank - 3.0" LG (Includes items 15, 16 & 19)
18	-----	1	Shank, Faucet (Order item 17)
19	07110.0000	1	Faucet Shank, W/4.0" Sight Gauge (Includes items 6, 7, 10, 12 thru 16, 20 & 21)
20	01218.0000	1	Shield, Sight Gauge - 4.0" LG
21	01298.1000	1	Glass, Sight Gauge - 4.0" LG
22	07059.0003	1	Faucet Assy, Black Handle (Includes items 23 thru 31)(One additional used with Double Service brewers)
23	07096.0002	1	Handle, Faucet - Black
24	01219.0000	1	Pin, Faucet Handle
25	07127.0000	1	Bonnet, Faucet
26	00601.0000	1	Spring, Faucet

(Continued)

* Indicates the part number listed is for reference only. See DESCRIPTION for possible service replacement.



(Continued)



RESERVOIRS, FAUCETS AND SIGHT GAUGES

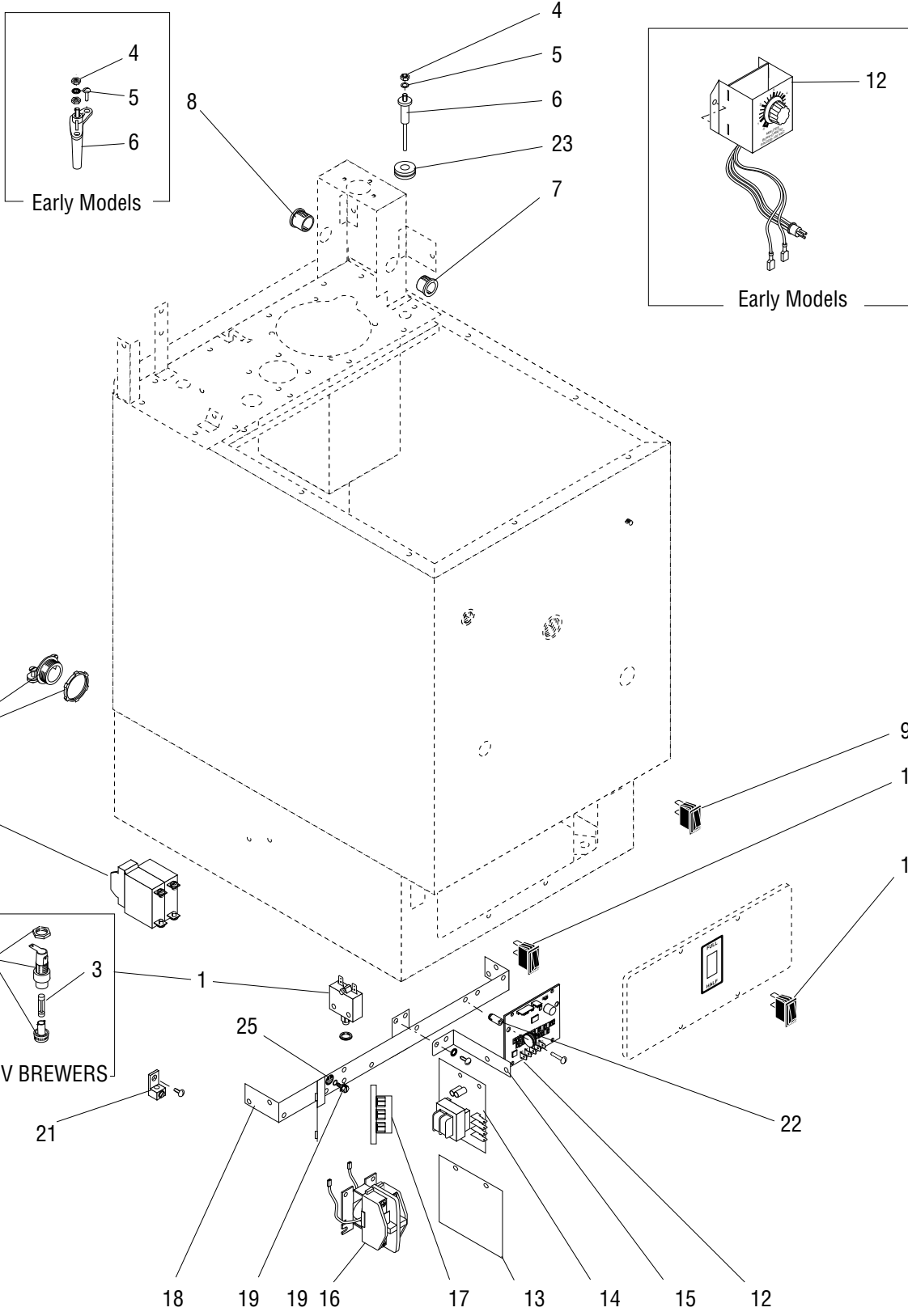
ITEM	PART NO.	QTY.	DESCRIPTION
27	01284.0000	1	Stem W/Pin, Faucet (Includes item 24)
28	00600.0000	1	Cup, Faucet Seat
29	-----	1	Body, Faucet (Order item 22)
30	01276.0000	1	Gasket, Faucet Cap
31	01275.0000	1	Cap, Faucet - Clean Out
32	07094.0000	1	Faucet Assy, Red Handle - Hot Water (Includes items 24 thru 28, 33 & 34)(One additional used with Double Service brewers)
33	07099.0000	1	Handle, Faucet - Red
34	-----	1	Body, Faucet (Order item 32)
35	00842.0000	1	Decal, COFFEE (Double Service brewers)
36	00471.0000	1	Elbow, Overflow - .38" MPT x .25" FPT
37	07034.0000	1	Nut, Hex .38" NPT
38	01524.0000	1	Washer, Flat .688" I.D. x 1.50" O.D.
39	01201.0000	1	Gasket
40	06395.0000	1	Tube Assy, Overflow (Includes items 41 & 42)
41	06396.0001*	1	Tube
42	06374.0000	1	Elbow .625" Tube x .375" NPTF
43	03132.0002	1	Cup, Overflow
	01315.0000	1	Screw, Truss Head #8-32 x .38"
	01502.0000	1	Lockwasher, Split #10
44	00675.0000	1	Brush, Sight Gauge Clean Out (Not Illustrated)
45	28707.0002	-	Faucet Repair Kit, Black (Includes items 23, 26, 27 & 28)(Not Illustrated)

* Indicates the part number listed is for reference only. See DESCRIPTION for possible service replacement.



ELECTRICAL AND OPERATING CONTROLS

SRU



P2061.50

ELECTRICAL AND OPERATING CONTROLS

ITEM	PART NO.	QTY.	DESCRIPTION
1	01260.1000	1	Circuit Breaker, 15 Amp (Includes nut)(120/208V, 120/240V Brewers)
2	03231.0001	1	Fuse Holder (Includes cap & nut)(230V & 240V Brewers)
3	03230.0001	1	Fuse, 5 Amp 250V
	03230.0000	1	Fuse,3/10 Amp 230V Marine Applications
4	00908.0000	2	Nut, Hex #8-32
5	20203.0100	1	Lockwasher, Internal Tooth #8
6	07048.1000	1	Probe Kit, Liquid Level
	07246.1000	1	Probe Kit, Liquid Level (Marine Applications)
	01315.0000	2	Screw, Truss Head #8-32 x .375" (Includes items 4, 5, 23 & hardware indented below)
7	07070.0000	1	Bushing, Snap .687" Dia Mounting Hole
8	01663.0000	1	Bushing, Snap .875" Dia Mounting Hole
9	03358.0001	1	Switch,Momentary Start (120/240V)
	27904.0001	1	Switch,Momentary Start (230V)
10	03357.0003	1	Switch, ON/OFF (120/240V)
	27727.0001	1	Switch, ON/OFF (230V)
	28305.0000	1	Switch, ON/OFF (120/208V Marine Applications)
11	06426.0000	1	Switch, Half Batch Selector (120/240V)
	27905.0000	1	Switch, Half Batch Selector (230V)
12	-----	-	Timer, 5 Min (120/240V)(Early Models)(Order item 32)
	-----	-	Timer, 5 Min (230V) (Early Models) (Order item 32)
	32400.0002	1	Digital Timer - 120V (Late Models)
	32400.0003	1	Digital Timer - 240V (Late Models)
	01315.0000	2	Screw, Truss Head #8-32 x .375"(Early Models)
	01320.0000	2	Screw, Round Head #8-32 x 1.00" (Late Models)
	00912.0000	2	Fastener, "J" Type #8
13	07105.0000	1	Shield, Protective
14	07074.1030	1	Level Control Board (120/240V)
	07074.1029	1	Level Control Board (230V)
	07074.1032	1	Level Control Board (230V Marine Applications)
	01315.0000	2	Screw, Truss Head #8-32 x .375"
	01512.0000	1	Lockwasher, External Tooth #10
	00970.0000	2	Nut, Keps #8-32
15	02587.0000	1	Bracket, Control Board Mounting
	01315.0000	2	Screw, Truss Head #8-32 x .375"
	00912.0000	2	Fastener, "J" Type #8
16	06335.1000	1	Contactor Assembly (120V)
	27906.1000	1	Contactor Assembly (230V)
	01315.0000	2	Screw, Truss Head #8-32 x .375"
	00912.0000	2	Fastener, "J" Type #8
17	07038.0000	1	Terminal Block
	01317.0000	2	Screw, Truss Head #8-32 x .50"

(Continued)

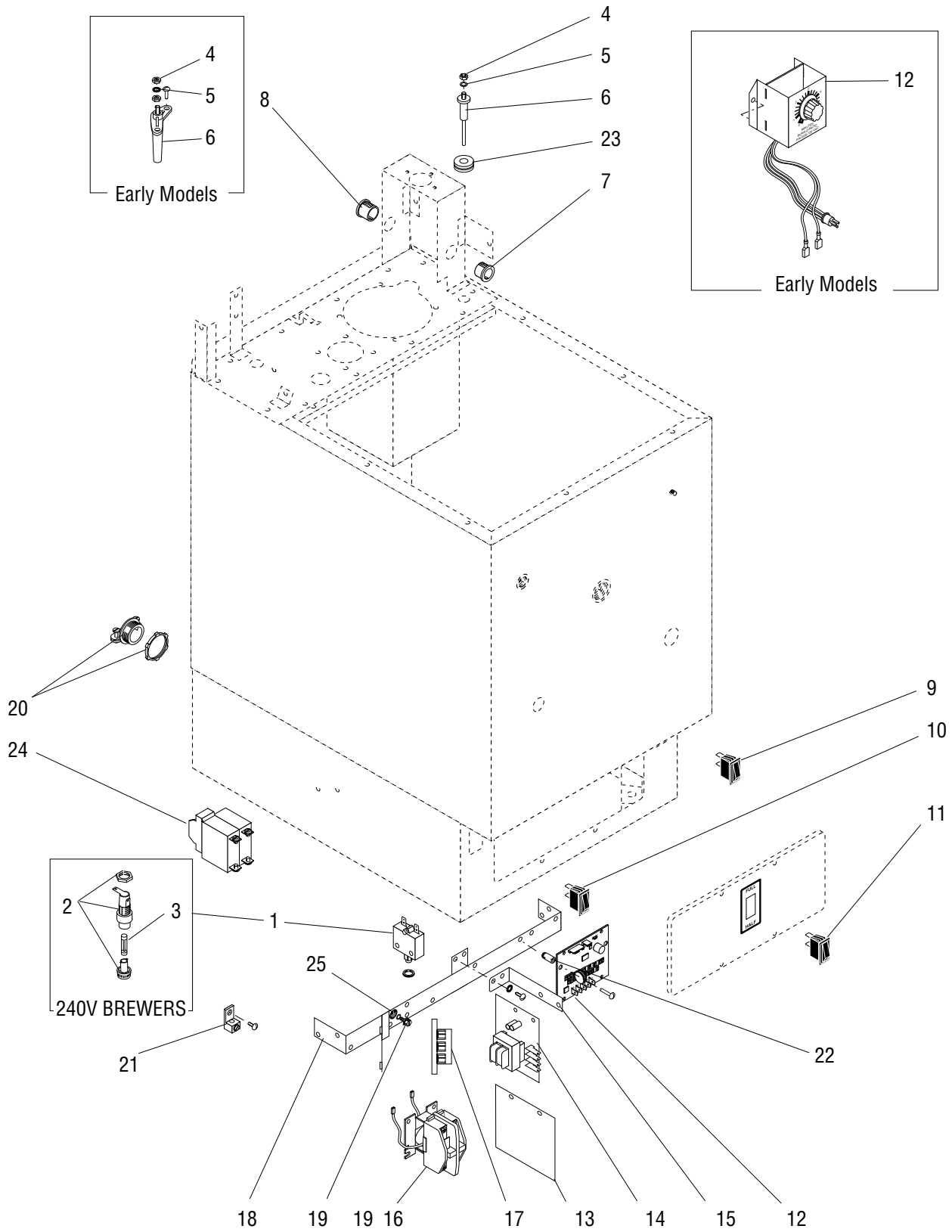
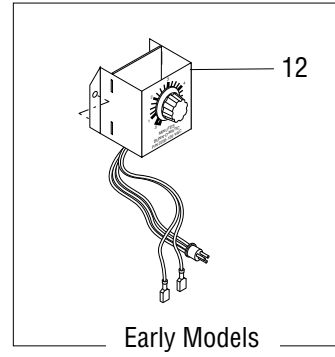
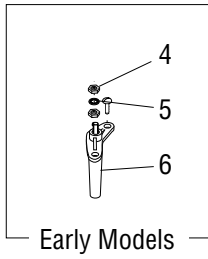
* Indicates the part number listed is for reference only. See DESCRIPTION for possible service replacement.



ELECTRICAL AND OPERATING CONTROLS

SRU

(Continued)



P2061.50

ELECTRICAL AND OPERATING CONTROLS

ITEM	PART NO.	QTY.	DESCRIPTION
18	06346.0000	1	Bracket, Component Mounting
	01315.0000	4	Screw, Truss Head #8-32 x .375"
	00912.0000	2	Fastener, "J" Type #8
19	01309.0000	1	Screw, Grounding w/Term. Washer #10-32 x .50"
20	01590.0000	1	Connector, Cable
21	27705.0000	1	Terminal Lug
	01327.0000	1	Screw, Pan Head #10-32 x .38"
22	32530.0001	2	Spacer, Nylon
23	02536.0000	1	Grommet (Late Models)
24	38894.0001	1	Switch, Master ON/OFF
	01308.0002	2	Screw, Truss Head, Locking #6-32 x .25" (Mounting)
	01327.0000	4	Screw, Pan Head #10-32 x .38" (Terminals)
	01512.0000	4	Lockwasher, Ext.-tooth #10
25	00824.0000	1	Decal, Ground

The following items are not illustrated:

26	06422.0000	1	Wiring Harness, Main (120/240V)
	06422.0002	1	Wiring Harness, Main (120/240V)(Models with Master ON/OFF Switch)
	-----	1	Wiring Harness, Main (120/240V Marine Applications)(Not Serviced)
	28112.0000	1	Wiring Harness, Main (230V CE Models with 3950W tank heater)
	28112.0001	1	Wiring Harness, Main (230V CE Models with 6000W tank heater)
27	02240.0001	1	Lead 13.5" LG - Pink & Gray - Timer to Batch Selector Switch
28	27945.0004	1	Lead, Thermal Fuse (BLK) (230V CE Models with 3950W tank heater)
29	27945.0005	1	Lead, Thermal Fuse (RED) (230V CE Models with 3950W tank heater)
30	28173.0000	1	Lead, Thermal Fuse (WHI) (230V CE Models with 6000W tank heater)
31	29445.1000	1	Wiring Harness, Digital Brew Timer (Late Models)
32	32400.0000	-	Digital Timer Kit - 120V (Replaces early timer with Digital Timer)
	32400.0001	-	Digital Timer Kit - 240V (Replaces early timer with Digital Timer)
33	38920.0010	1	Wiring Harness, Master ON/OFF Switch

* Indicates the part number listed is for reference only. See DESCRIPTION for possible service replacement.

NUMERICAL INDEX

PART NO.	PAGE NO.	PART NO.	PAGE NO.	PART NO.	PAGE NO.	PART NO.	PAGE NO.
00406.0001	13	01318.0000	5	06427.0000	5	07185.1000	15
00458.0001	13	01320.0000	25	06427.0001	5	07186.1000	15
00471.0000	23	01327.0000	13,27	06434.0000	5	07191.1000	15
00501.0000	5	01338.0000	19	06465.0001	7	07246.1000	25
00502.0000	5	01339.0000	9	07011.0000	19	07261.0000	11
00600.0000	23	01359.0000	19	07014.0000	17	07261.0001	11
00601.0000	21	01501.0000	13	07018.0001	19	07264.0000	11
00620.0000	17	01502.0000	15,23	07021.0002	9	07272.0000	11
00656.0000	7	01512.0000	25,27	07022.0012	9	07288.0000	5
00675.0000	23	01520.0000	9	07023.0003	9	07289.0002	5
00720.0000	15	01524.0000	23	07024.1002	9	07289.0003	5
00725.0000	9	01536.0000	11,13	07025.0000	11	10491.0003	5
00824.0000	27	01537.0000	11	07025.0002	11	12398.0000	15
00824.0001	7	01539.0000	5	07026.1002	19	12555.0000	5
00831.0000	7	01590.0000	27	07032.0000	21	12593.0000	5
00842.0000	23	01663.0000	25	07034.0000	23	20203.0100	25
00875.0000	5	01975.0000	13	07038.0000	25	20762.0000	15
00878.0000	5	02240.0001	27	07044.0000	17	21695.0001	13
00906.0000	9	02328.0003	15	07045.0000	15	21807.0001	11,13
00908.0000	25	02434.1001	5	07047.0000	17	21807.0003	13
00912.0000	17,25,27	02536.0000	11,13,27	07048.1000	25	23720.0000	11,13
00917.0000	5,7,21	02564.0002	9	07050.0000	11	23721.0000	11,13
00929.0001	11	02587.0000	25	07051.1000	11,13	23723.0000	11,13
00970.0000	17,19,25	03132.0002	23	07052.0000	11	26342.0000	5
00976.0000	11,13	03230.0000	25	07052.0002	11	26687.0003	21
01079.0000	13	03230.0001	25	07059.0003	21	27443.0000	7
01085.0000	13	03231.0001	25	07060.0000	21	27596.0001	13
01100.0000	13	03357.0003	25	07061.0000	21	27705.0000	27
01101.0000	13	03358.0001	25	07064.0000	21	27727.0001	25
01111.0000	13	03408.0000	9	07070.0000	25	27904.0001	25
01116.0000	13	03409.0000	9	07072.0000	11	27905.0000	25
01192.0000	9	04002.1001	7	07073.0001	15	27906.1000	25
01201.0000	19,23	04957.0000	5	07074.1029	25	27907.0000	11
01218.0000	21	06335.1000	25	07074.1030	25	27923.0000	15
01219.0000	21	06346.0000	27	07074.1032	25	27945.0004	27
01221.0000	21	06350.0000	7	07075.0000	11,13	27945.0005	27
01258.0000	11,13	06351.0000	7	07079.0000	21	28020.0000	11
01260.1000	25	06352.1000	5	07083.1000	11	28021.0000	11
01265.1000	21	06360.0000	7	07086.0000	17	28037.0000	11
01267.0000	21	06362.0000	21	07094.0000	23	28040.0000	11
01268.0000	21	06365.1000	11	07096.0002	21	28043.0000	11
01275.0000	23	06374.0000	23	07097.0000	17	28112.0000	27
01276.0000	23	06395.0000	23	07097.0004	17	28112.0001	27
01284.0000	23	06396.0000	23	07097.0008	17	28173.0000	27
01287.0000	21	06407.0000	5	07099.0000	23	28305.0000	25
01291.0000	21	06409.1000	5	07105.0000	25	28531.0000	11
01292.0000	21	06409.1003	5	07110.0000	21	28532.0000	11
01293.0000	21	06409.1005	5	07112.0000	11,13	28614.0000	17
01298.1000	21	06411.1000	5	07119.0000	21	28617.0000	17
01308.0002	27	06411.1001	5	07121.0002	9	28618.0000	17
01309.0000	27	06420.0000	19	07127.0000	21	28618.0001	17
01311.0000	5,7,21	06422.0000	27	07129.1000	17	28623.0000	17
01315.0000	5,7,9,15	06422.0002	27	07148.1000	19	28624.0000	17
01315.0000	17,23,25,27	06424.0000	21	07167.0000	17	28626.0000	17
01317.0000	5,25	06426.0000	25	07175.0000	9	28626.0001	17

NUMERICAL INDEX

PART NO.	PAGE NO.	PART NO.	PAGE NO.	PART NO.	PAGE NO.	PART NO.	PAGE NO.
28628.0000.....	17						
28629.0000.....	17						
28630.0000.....	17						
28630.0001.....	17						
28631.0000.....	17						
28631.0001.....	17						
28632.0000.....	17						
28707.0002.....	23						
29299.0000.....	5						
29329.1000.....	15						
29445.1000.....	27						
29648.0000.....	11						
29649.0001.....	11						
32400.0000.....	27						
32400.0001.....	27						
32400.0002.....	25						
32400.0003.....	25						
32530.0001.....	27						
32540.0001.....	7						
32828.1000.....	7						
32871.0000.....	19						
32878.0000.....	7						
32897.0000.....	5						
32898.0000.....	5						
32899.0000.....	19						
32904.0000.....	19						
32905.0000.....	19						
32947.0000.....	19						
33651.0000.....	19						
36994.0000.....	13						
36994.0001.....	13						
36996.0000.....	13						
01327.0000.....	13						
37005.0000.....	13						
37881.0000.....	5						
38894.0001.....	27						
38920.0010.....	27						
40058.0000.....	11						
40058.0000.....	13						
46555.1000.....	13						
49734.0000.....	11						