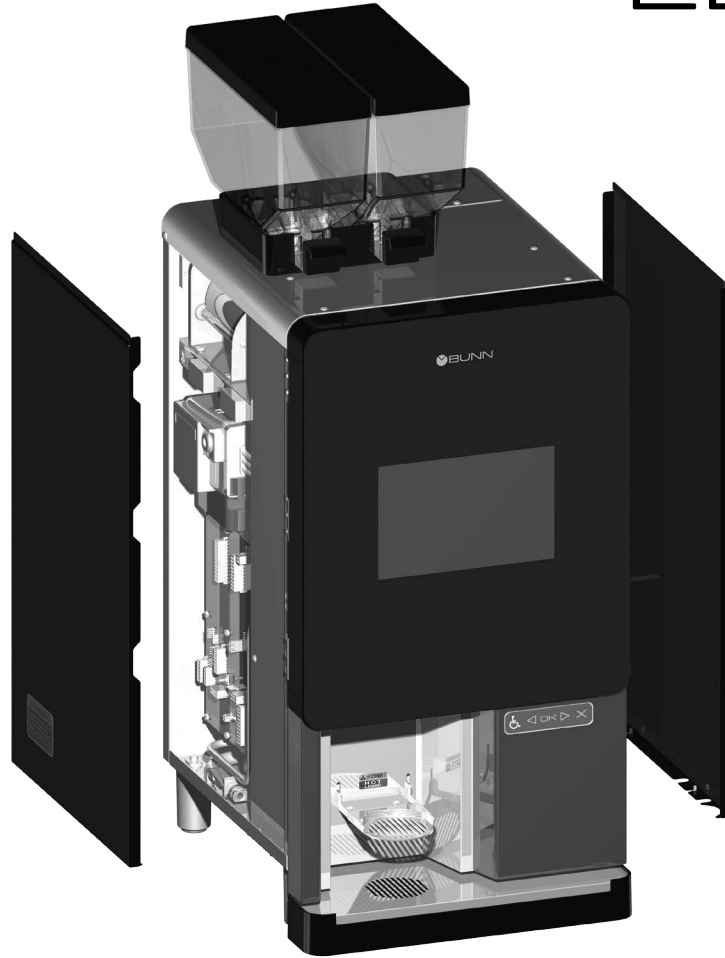




SURE IMMERSION 220™



ILLUSTRATED PARTS CATALOG

Designs, materials, weights, specifications, and dimensions for equipment or replacement parts are subject to change without notice.

BUNN-O-MATIC CORPORATION

POST OFFICE BOX 3227
SPRINGFIELD, ILLINOIS 62708-3227
PHONE: (217) 529-6601 FAX: (217) 529-6644

To ensure you have the latest revision of the Operating Manual, Illustrated Parts Catalog, Programming Manual, or Service Manual, please visit the Bunn-O-Matic website, at www.bunn.com. This is absolutely FREE, and the quickest way to obtain the latest catalog and manual updates. For Technical Service, contact Bunn-O-Matic Corporation at 1-800-286-6070.



Sure Immersion Product Warranty

BUNN-O-MATIC SURE IMMERSION PRODUCT WARRANTY

Bunn-O-Matic Corporation (“BUNN”) warrants the Bunn Sure Immersion system, further described below for a warranty period of 1 year parts and labor.

This warranty period runs from the date of installation. BUNN warrants that the equipment manufactured by it will be commercially free of defects in material and workmanship existing at the time of manufacture and appearing within the applicable warranty period. This warranty does not apply to any equipment, component or part that was not manufactured by BUNN or that, in BUNN’s judgment, has been affected by misuse, neglect, alteration, improper installation or operation, improper maintenance or repair, damage or casualty. This warranty is conditioned on the Buyer 1) giving BUNN prompt notice of any claim to be made under this warranty by telephone at (217) 529-6601 or by writing to Post Office Box 3227, Springfield, Illinois 62708-3227; 2) if requested by BUNN, shipping the defective equipment prepaid to an authorized BUNN service location; and 3) receiving prior authorization from BUNN that the defective equipment is under warranty. Additionally the following is excluded from the warranty period

Warranty Exclusions:

Parts such as, but not limited to, hoppers and lids, drip trays, and plastic parts damaged due to improper handling or cleaning agents.

Replacement of wear items such as, but not limited to, O-rings, gaskets, tubes, brew box seal, hoses, and valve seats.

Repairs made necessary due to poor water quality, such as dispense valves, coils, water inlet valves, scaling in hot water boilers.

Improper voltage, (See equipment operations manual for voltage specifications)

Touch screen due to improper use or damage

Failure to perform cleaning procedures constitutes improper maintenance.

Failure to have required preventive maintenance performed by a BUNN technician or an authorized BUNN service agent.

Parts replaced under the terms of this warranty carry the remainder of the machine’s parts warranty term, or 60 days, whichever is greater.

THE FOREGOING WARRANTY IS EXCLUSIVE AND IS IN LIEU OF ANY OTHER WARRANTY, WRITTEN OR ORAL, EXPRESS OR IMPLIED, INCLUDING, BUT NOT LIMITED TO, ANY IMPLIED WARRANTY OF EITHER MERCHANTABILITY OR FITNESS FOR A PARTICULAR PURPOSE. The agents, dealers or employees of BUNN are not authorized to make modifications to this warranty or to make additional warranties that are binding on BUNN. Accordingly, statements by such individuals, whether oral or written, do not constitute warranties and should not be relied upon.

If BUNN determines in its sole discretion that the equipment does not conform to the warranty, BUNN, at its exclusive option while the equipment is under warranty, shall either 1) provide at no charge replacement parts and/or labor (during the applicable parts and labor warranty periods specified above) to repair the defective components, provided that this repair is done by a BUNN Authorized Service Representative; or 2) shall replace the equipment or refund the purchase price for the equipment.

THE BUYER’S REMEDY AGAINST BUNN FOR THE BREACH OF ANY OBLIGATION ARISING OUT OF THE SALE OF THIS EQUIPMENT, WHETHER DERIVED FROM WARRANTY OR OTHERWISE, SHALL BE LIMITED, AT BUNN’S SOLE OPTION AS SPECIFIED HEREIN, TO REPAIR, REPLACEMENT OR REFUND.

In no event shall BUNN be liable for any other damage or loss, including, but not limited to, lost profits, lost sales, loss of use of equipment, claims of Buyer’s customers, cost of capital, cost of down time, cost of substitute equipment, facilities or services, or any other special, incidental or consequential damages.

TABLE OF CONTENTS

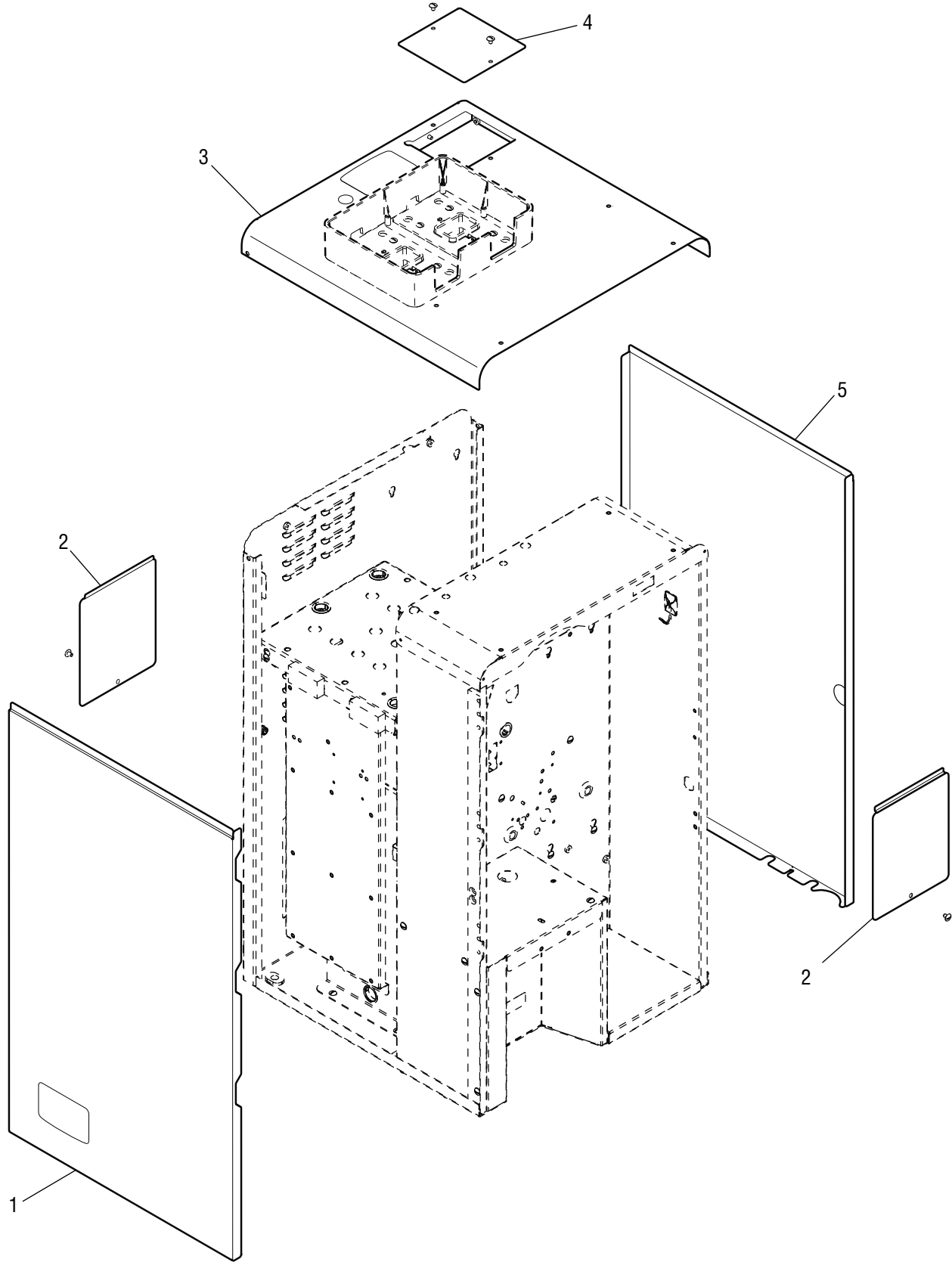
EXTERIOR COMPONENTS	4
DOOR COMPONENTS	8
DECALS	14
GRINDER COMPONENTS.....	16
BREW ARM COMPONENTS	18
PAPER PATH - TAKEUP DRIVE COMPONENTS	20
BREW COMPONENTS.....	22
VACUUM COMPONENTS	24
WATER TANK COMPONENTS.....	26
WATER VALVE COMPONENTS	28
WATER HOSE COMPONENTS	30
ELECTRICAL COMPONENTS.....	34
KITS.....	39
NUMERICAL INDEX	40

NOTE: Service technicians - call Tech Services if parts required are shown without a part number.



EXTERIOR COMPONENTS

Sure.
Immersion
220

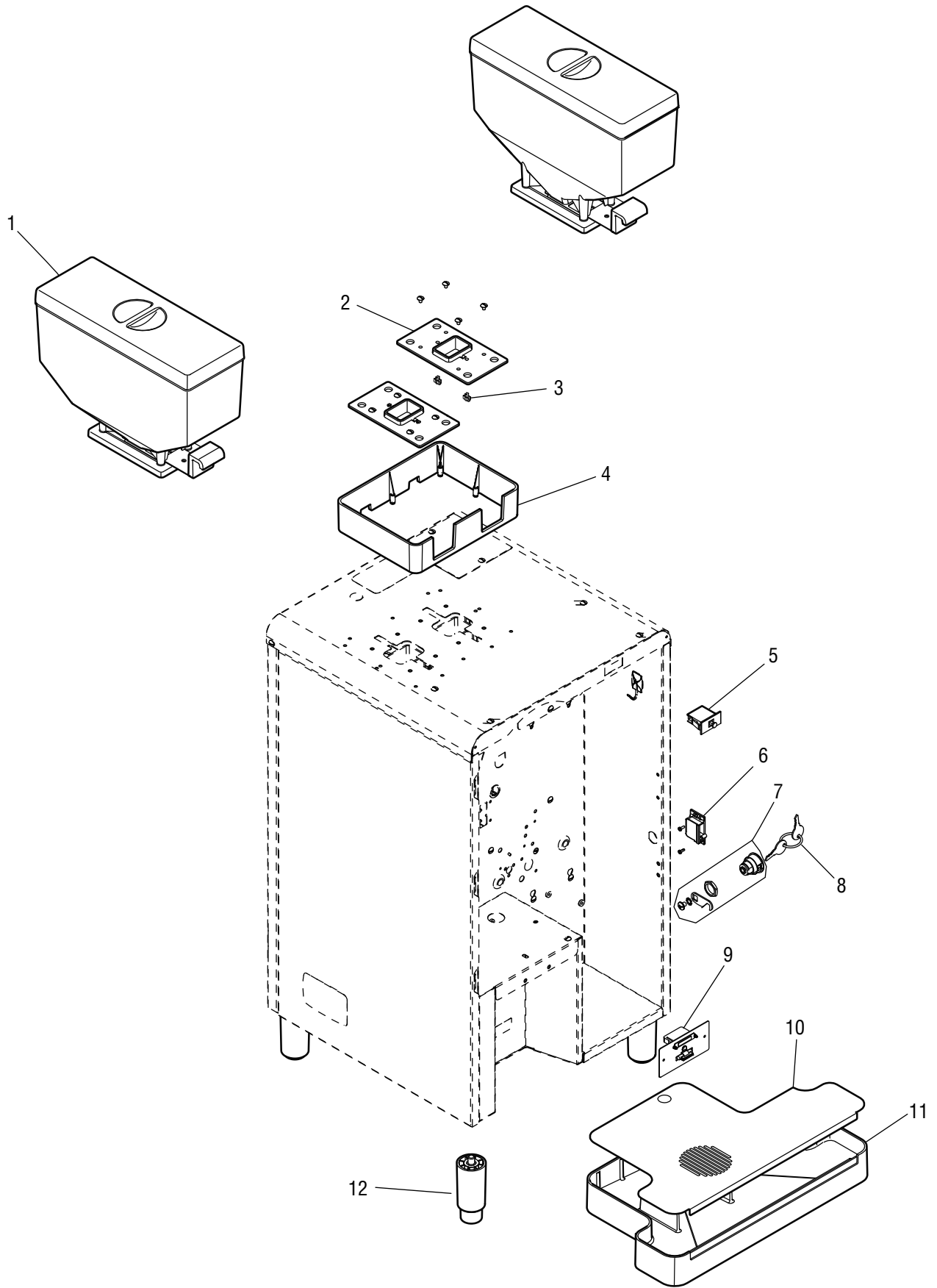


EXTERIOR COMPONENTS			
ITEM	PART NO.	QTY.	DESCRIPTION
1	50786.1001	1	Panel, Left Side w/Warning Decal
2	50505.0015	2	Panel, Access Chassis
3	51163.1000	1	Top, Panel w/Warning Decal
4	51371.0000	1	Panel, Tank Access
5	50785.1001	1	Panel, Right Side w/Warning Decal



EXTERIOR COMPONENTS

Sure.
Immersion
220

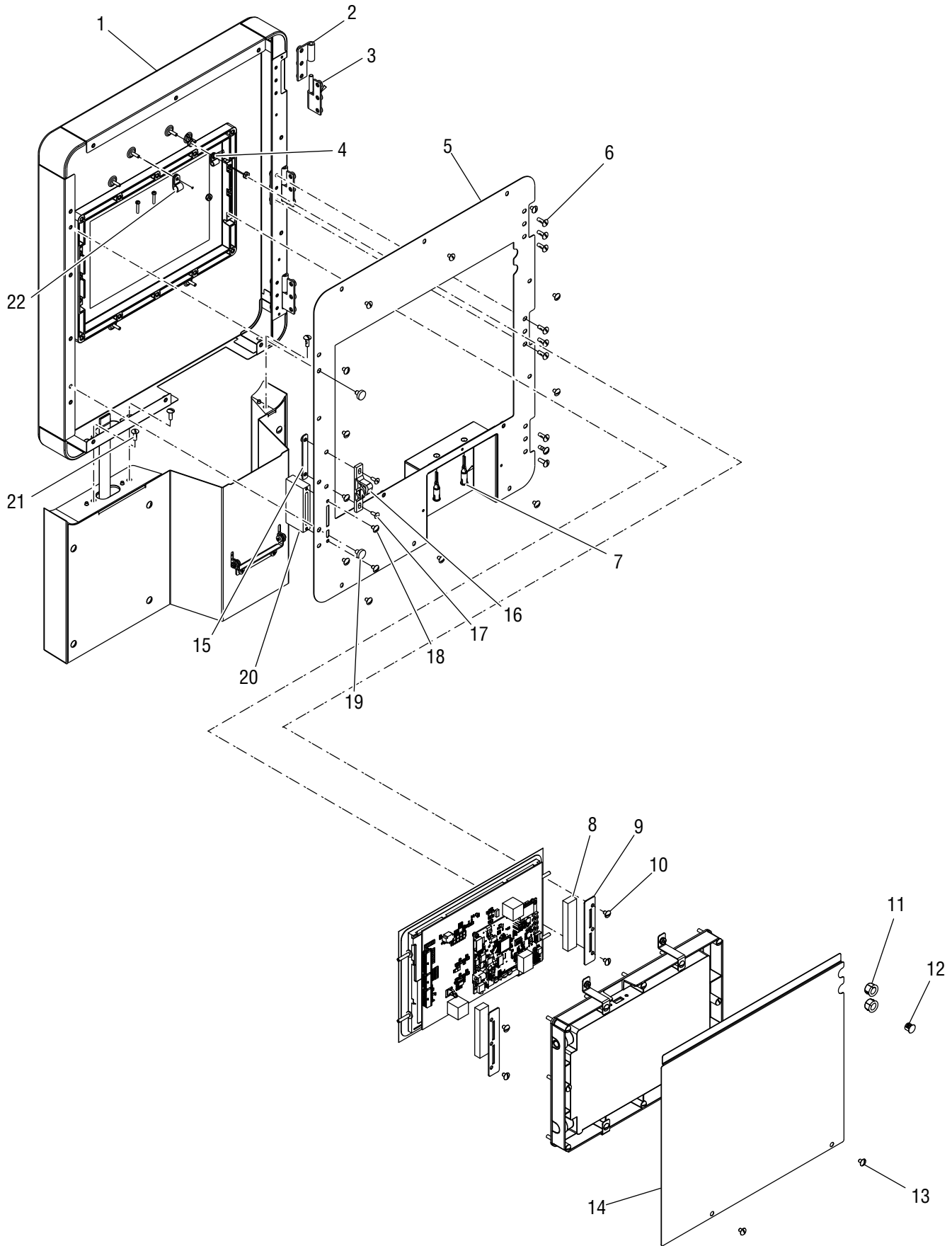


EXTERIOR COMPONENTS			
ITEM	PART NO.	QTY.	DESCRIPTION
1	50810.1003	2	Assembly, Bean Hopper
2	51097.0001	2	Chute, Bean Hopper Short
3	53593.0000	4	Retainer, LED Snap
4	51368.0000	1	Shroud, Hopper
5	50573.0001	1	Switch, Door Interlock
6	34666.0000	1	Catch, Door Latch 3LB
7	34472.1001	1	Lock Assembly (Includes Key)
8	28095.0000	1	Key
9	25899.0000	1	Catch, Magnetic Snap-In
10	51220.0000	1	Drip Tray
11	51221.0000	1	Cover, Drip Tray
12	47978.1001	4	Kit, Housing, Leg



DOOR COMPONENTS

Sure.
Immersion
220



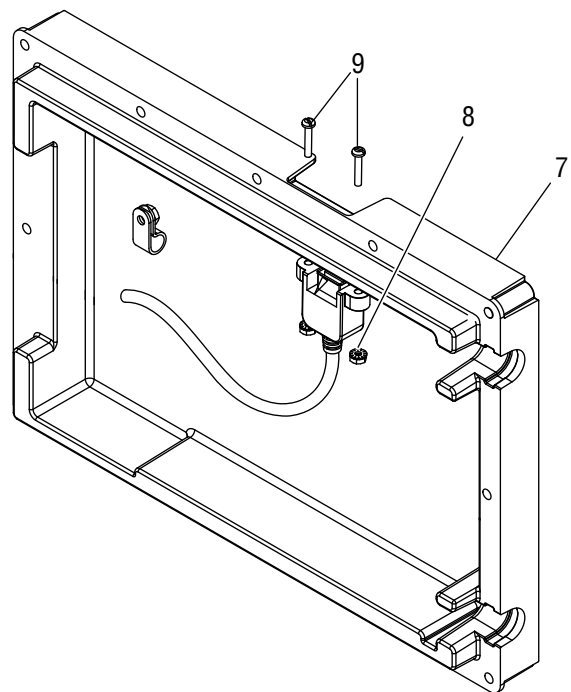
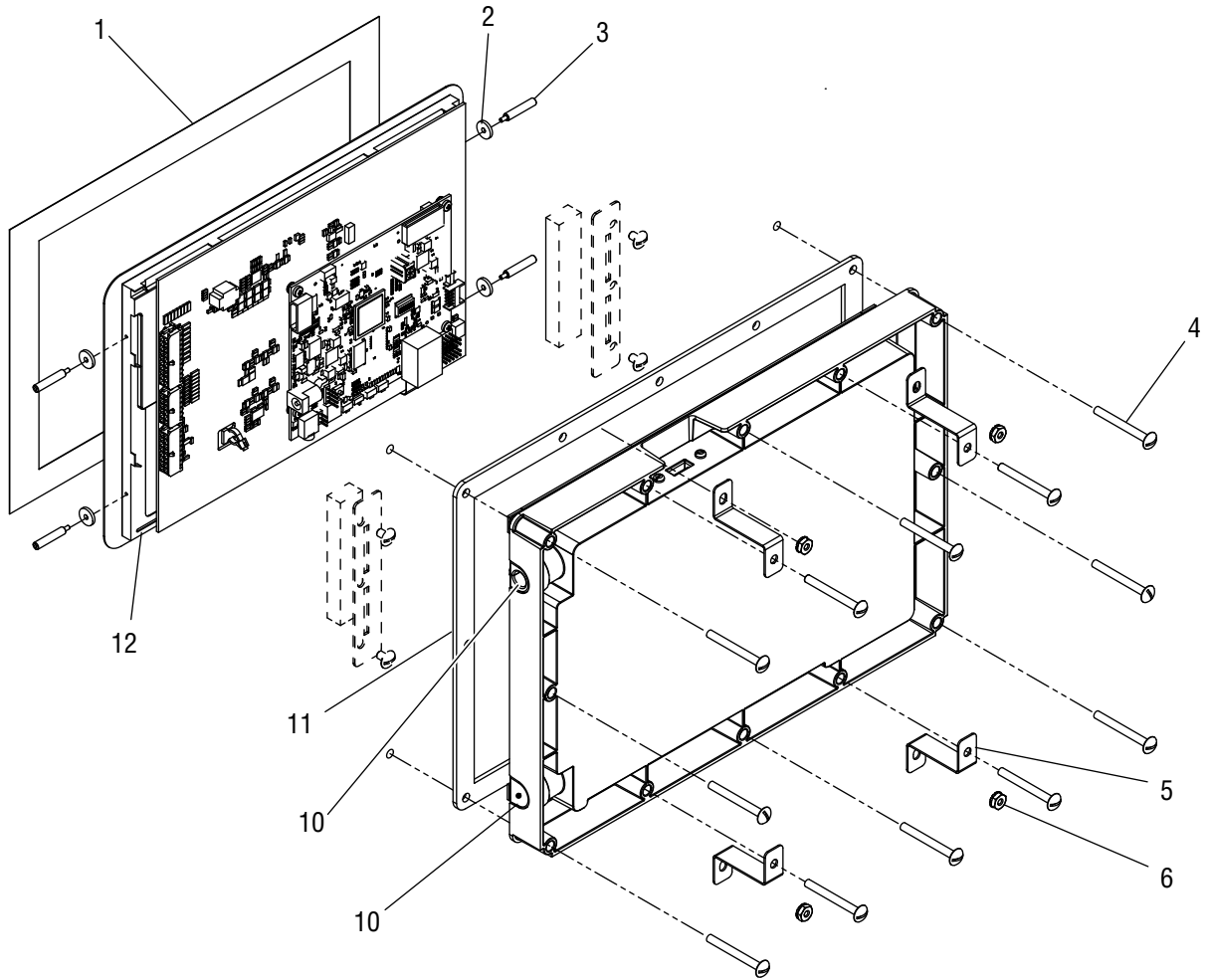
**DOOR COMPONENTS
DESCRIPTION**

ITEM	PART NO.	QTY.	DESCRIPTION
1	51980.0000	1	Door Assy, Bezel and Door
2	51187.0000	3	Hinge WLD, Female
3	51191.0000	3	Hinge WLD, Male
4	47318.0000	1	Clamp, Cable Nylon .188 ID
5	51666.0000	1	Panel WLD, Door Rear
6	01317.0001	9	Screw, SST 8-32 x .5" Lg
7	36903.0001	2	LED Assy, White w/terminals
8	52687.0000	2	Foam, Natural Gum Self Adhesive
9	51161.0000	2	Plate, Touchscreen Retainer
10	01311.0000	4	Screw, SST 8-32 x .25" Lg
11	00614.0001	2	Bushing, OCB-562 Nylon Black .390" ID
12	00669.0007	1	Plug, Hole - Nylon Black .375" Hole Dia.
13	01311.0000	2	Screw, SST 8-32 x .25" Lg
14	51162.0000	1	Panel, Door Rear Access (Sure Immersion)
15	50838.0000	1	Plate WLD, Latch B2CSS
16	34667.0000	1	Keeper, Door Latch
17	01347.0000	2	Screw, SST 6-32 x .38" Lg
18	01311.0001	12	Screw, SST 8-32 x .25" Lg
19	14002.6701	2	Foot, Black EPDM
20	53340.0000	1	Closure, Lock Block
21	01317.0001	3	Screw, SST 8-32 x .50" Lg
22	36484.0000	1	Clamp, Cable - Nylon Wht .325



DOOR COMPONENTS - continued

Sure.
Immersion
220



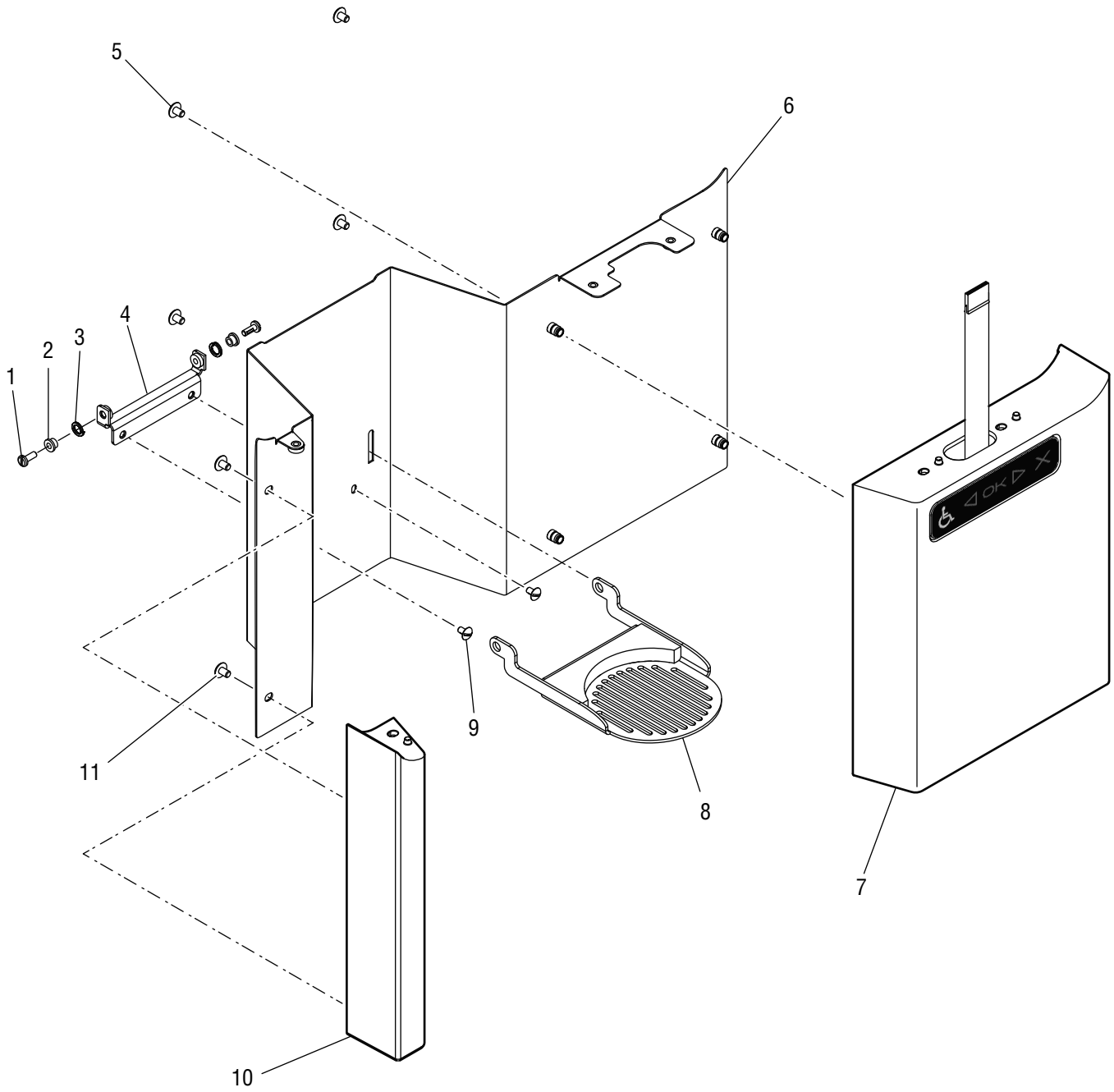
DOOR COMPONENTS - continued

ITEM	PART NO.	QTY.	DESCRIPTION
1	50772.0001	1	Gasket, Interfacial
2	01525.0000	4	Washer, Poltham Retainer 4-40 SCR
3	51173.0000	4	Standoff, Male Metric M2 x 0.4 Round
4	01384.0000	12	Screw, Slotted SST 8-32 x 1.5" Lg
5	51537.0000	4	Bracket, Rear Cover Retainer
6	00973.0001	4	Nut, Keps 6-32 SST Passivate
7	50774.1002	1	Cover Assy, Rear Touchscreen
8	27433.0000	2	Nut, Keps 4-40 Zinc Pltd
9	01304.0001	2	Screw, PNHD SLTD SST 4-40 x .62" Lg
10	51255.0002	2	Grommet, Wire - Slitted
11	50773.0001	1	Gasket, Rear
12	50775.1001	1	Assembly, Touchscreen



DOOR COMPONENTS - continued

Sure.
Immersion
220



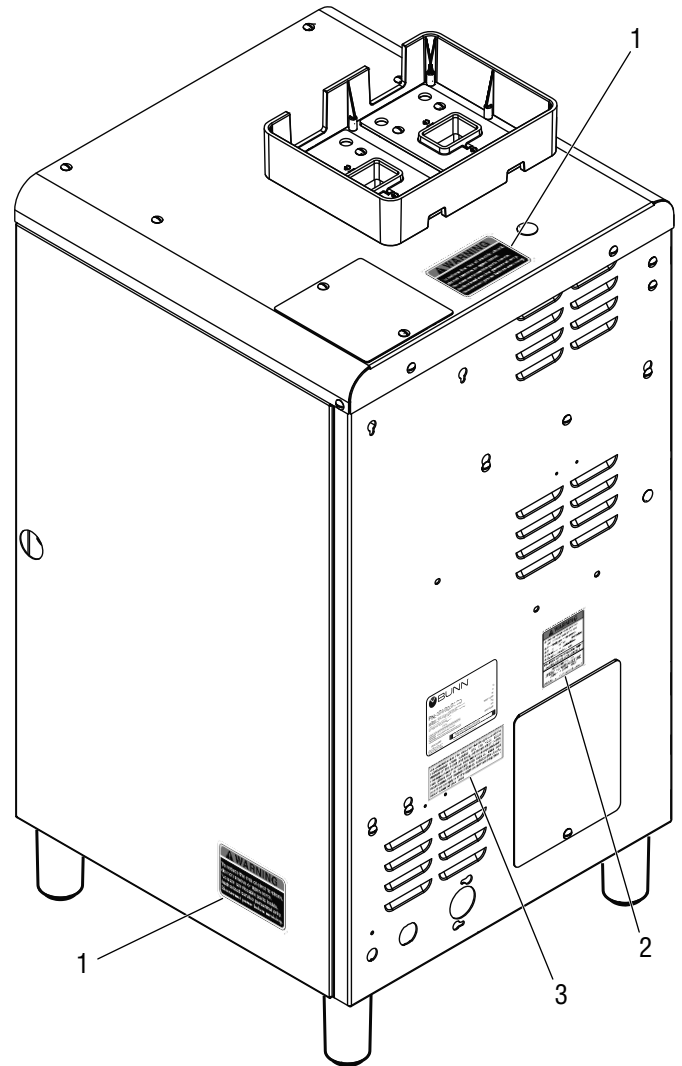
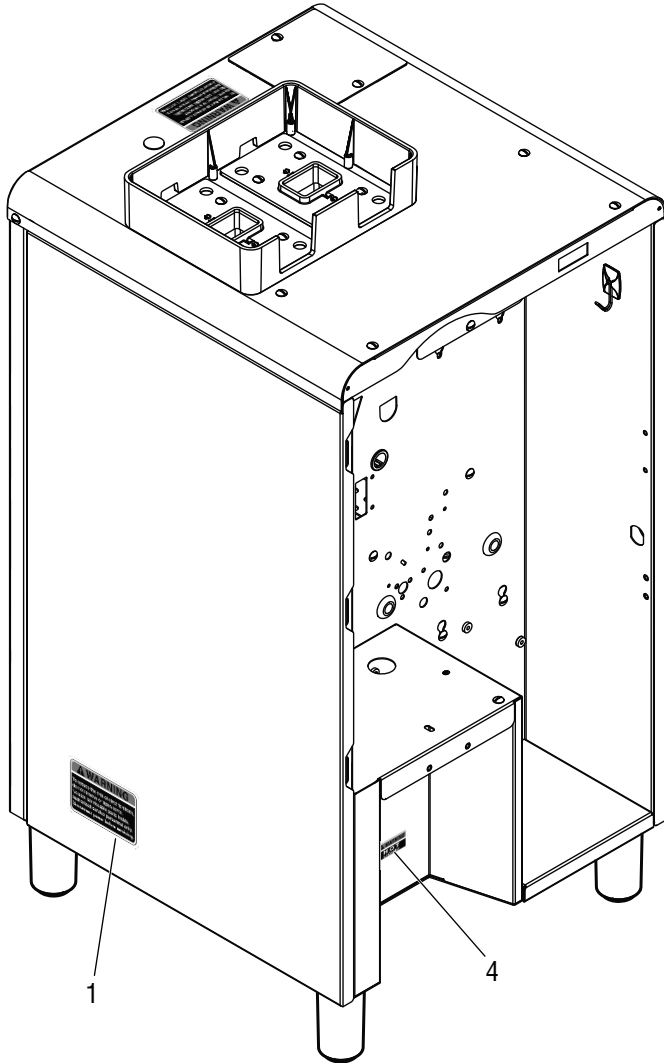
DOOR COMPONENTS - continued

ITEM	PART NO.	QTY.	DESCRIPTION
1	02367.0000	2	Screw, 6-32 x .375" Lg
	00991.0002	2	Nut, Elastic Lock #6-32 SST
2	21438.0001	2	Washer, Shoulder-Nylon .144 ID
3	25292.0001	2	Lockwasher, M8
4	51920.0000	1	Bracket Wldmt, Flip Tray Mtg
5	01311.0001	4	Screw, SST 8-32 x .25" Lg
6	51722.0003	1	Panel, Splash
7	52993.1000	1	Assembly, ADA Lower Door Panel
8	51336.0005	1	Tray, Flip
9	01308.0003	2	Screw, Blk 6-32 x .25" Lg
10	51720.0000	1	Assy, Front Door Splash Insert
11	01311.0001	2	Screw, SST 8-32 x .25" Lg



EXTERIOR COMPONENTS - DECALS

Sure
Immersion
220



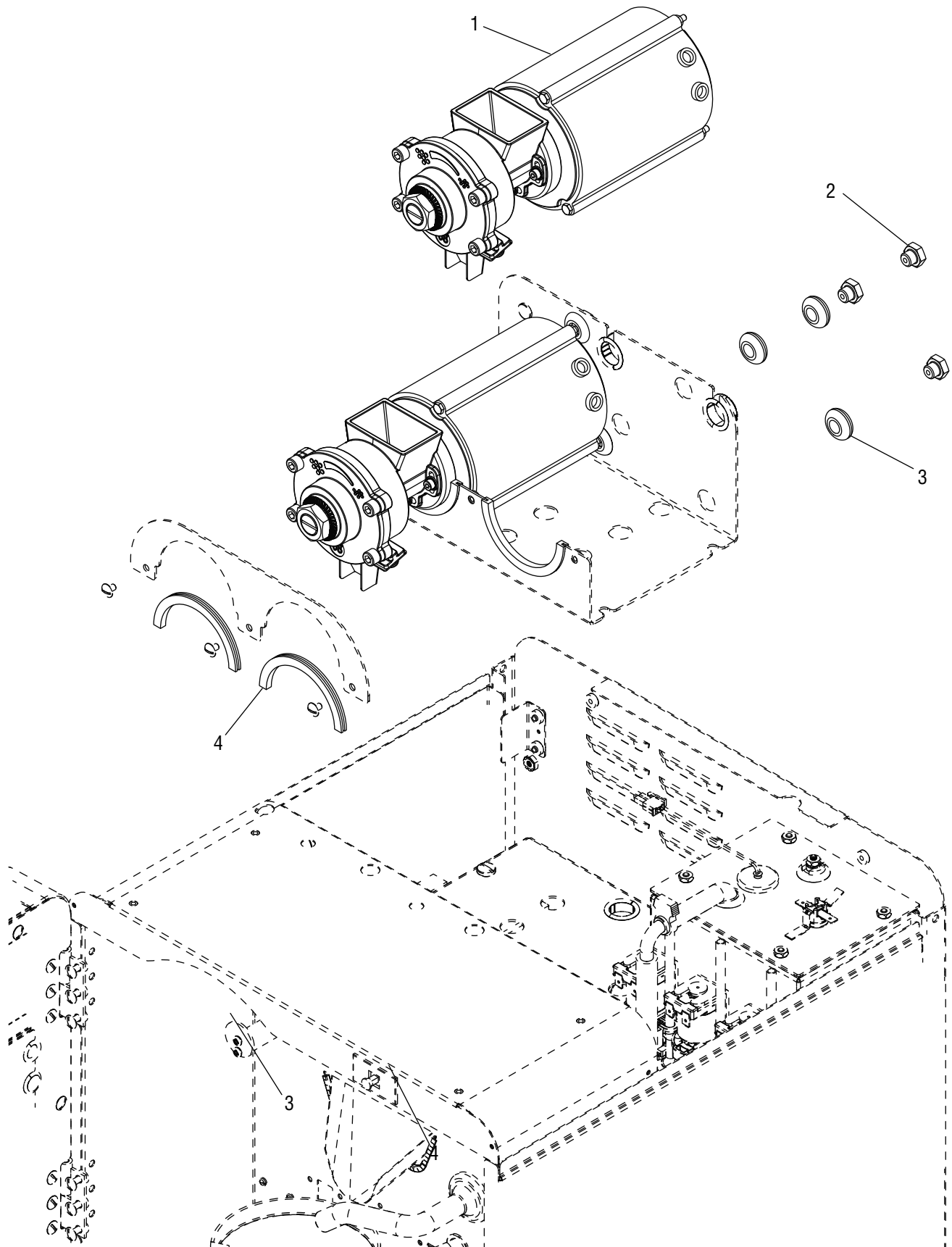
EXTERIOR COMPONENTS - DECALS

ITEM	PART NO.	QTY.	DESCRIPTION
1	37881.0000	3	Decal, Warning No Service Parts
2	00986.0000	1	Decal, Warning Electrical
3	00656.0001	1	Decal, Comply To Plumbing Code
4	35710.0000	1	Decal, Warning Hot Liquids



GRINDER COMPONENTS

Sure
Immersion
220



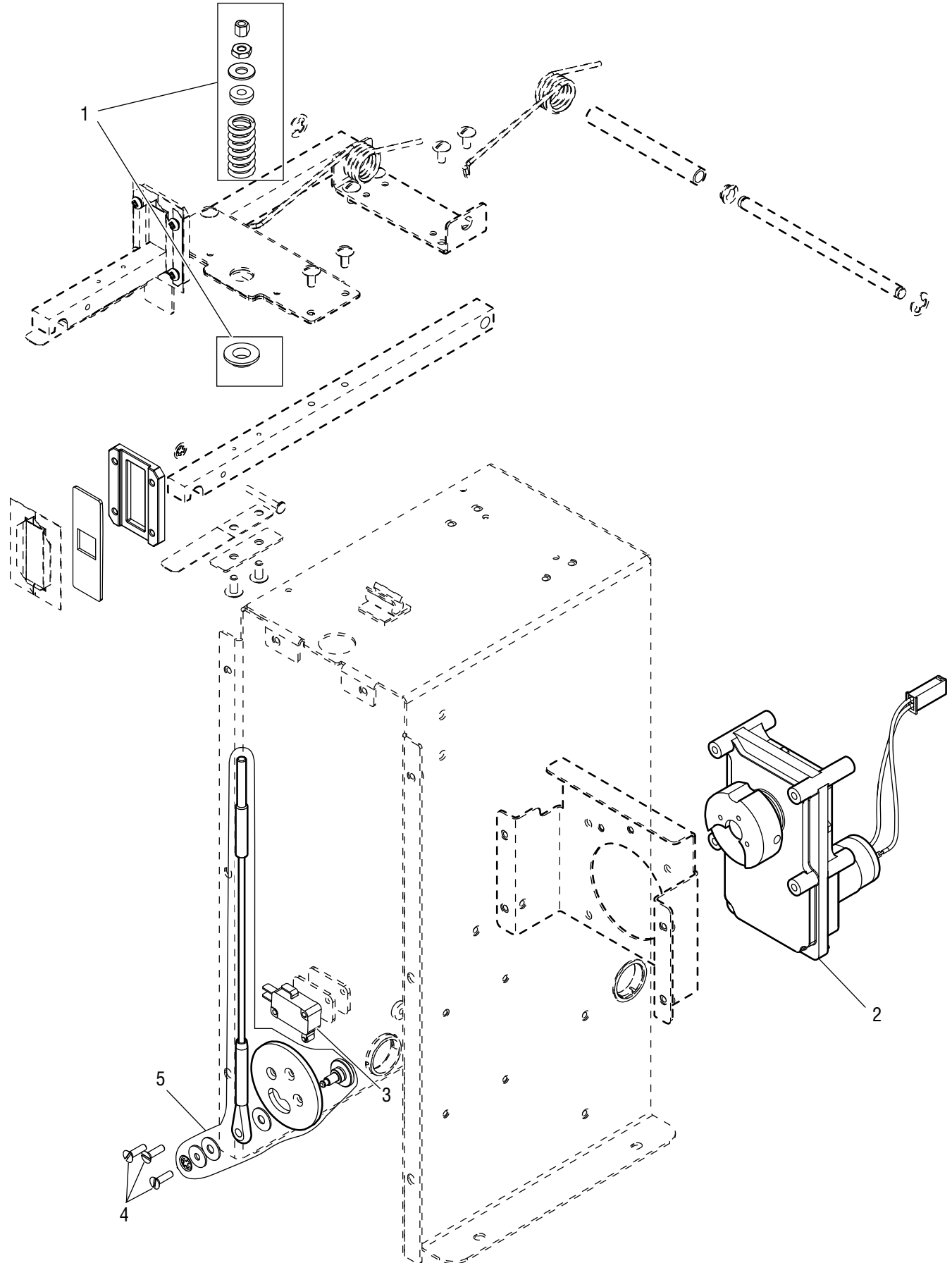
**GRINDER COMPONENTS
DESCRIPTION**

ITEM	PART NO.	QTY.	DESCRIPTION
1	52369.0000	2	Grinder Assembly (Includes Grinder Capacitor)
2	50555.0001	6	Shoulder Nut, M4 x .7
3	02536.0000	6	Grommet, Silicone - .357 ID
4	51263.0001	4	Gasket, U-Chanel .06 Slot,
5	50811.0102	2	Set, Grinding Burrs, 54mm Steel (not illustrated)
6	50811.0101	2	Auger Wire, EMH-54 (not illustrated)
7	50811.0100	2	Flapper, Coffee Dechaffer (not illustrated)
8	50811.0103	2	Capacitor, 45MF 440V (not illustrated)



BREW ARM COMPONENTS

Sure.
Immersion
220



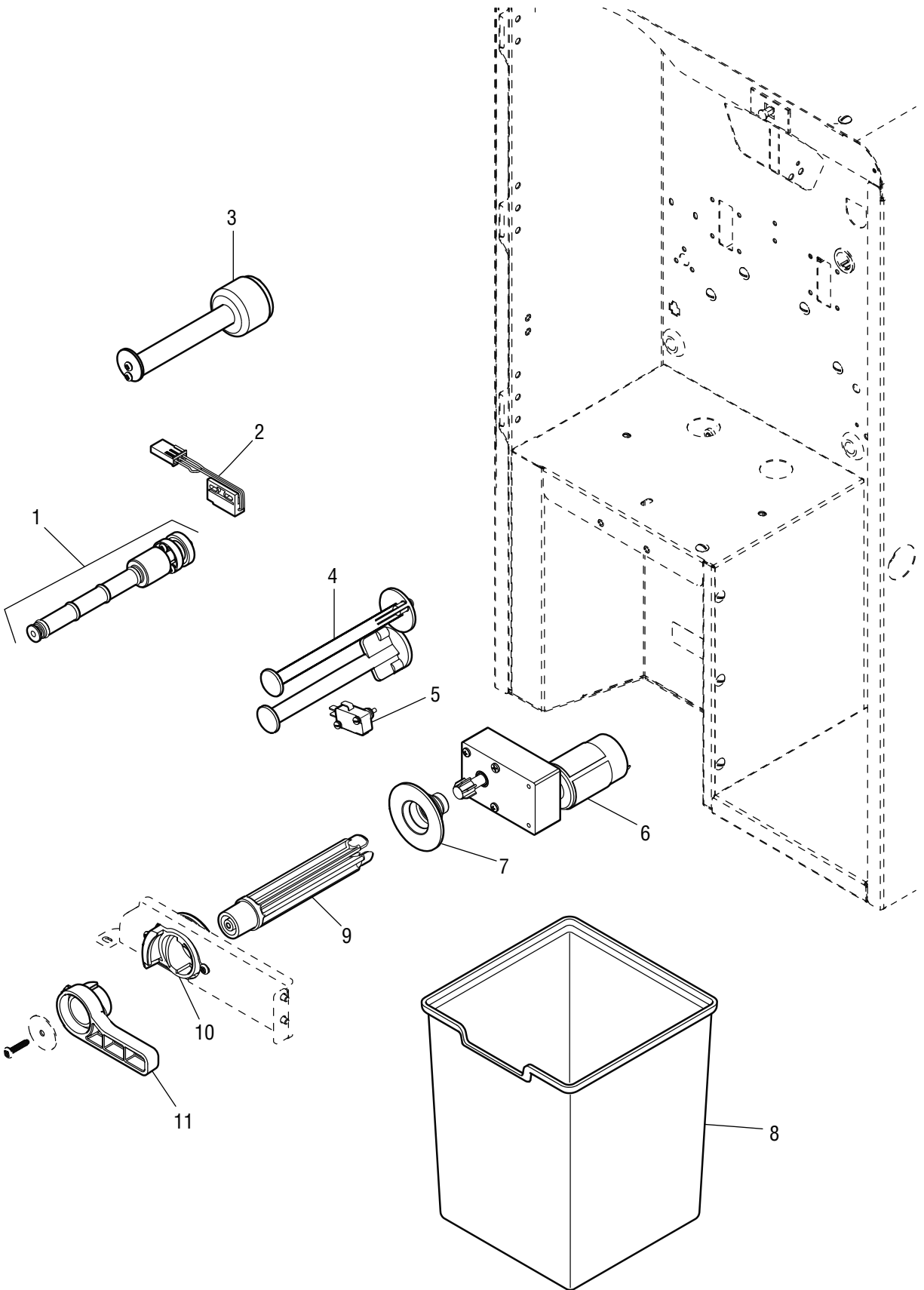
BREW ARM COMPONENTS

ITEM	PART NO.	QTY.	DESCRIPTION
1	50954.1000	1	Kit, Brew Arm Torsion Hardware
2	53663.0000	1	Cam Motor Sub Assembly
3	25977.0000	1	Roller Switch
4	01345.0003	3	Screw, Flat Head 6-32
5	52601.1001	1	Kit, Cam Wheel Assembly



PAPER PATH - TAKEUP DRIVE COMPONENTS

Sure.
Immersion
220



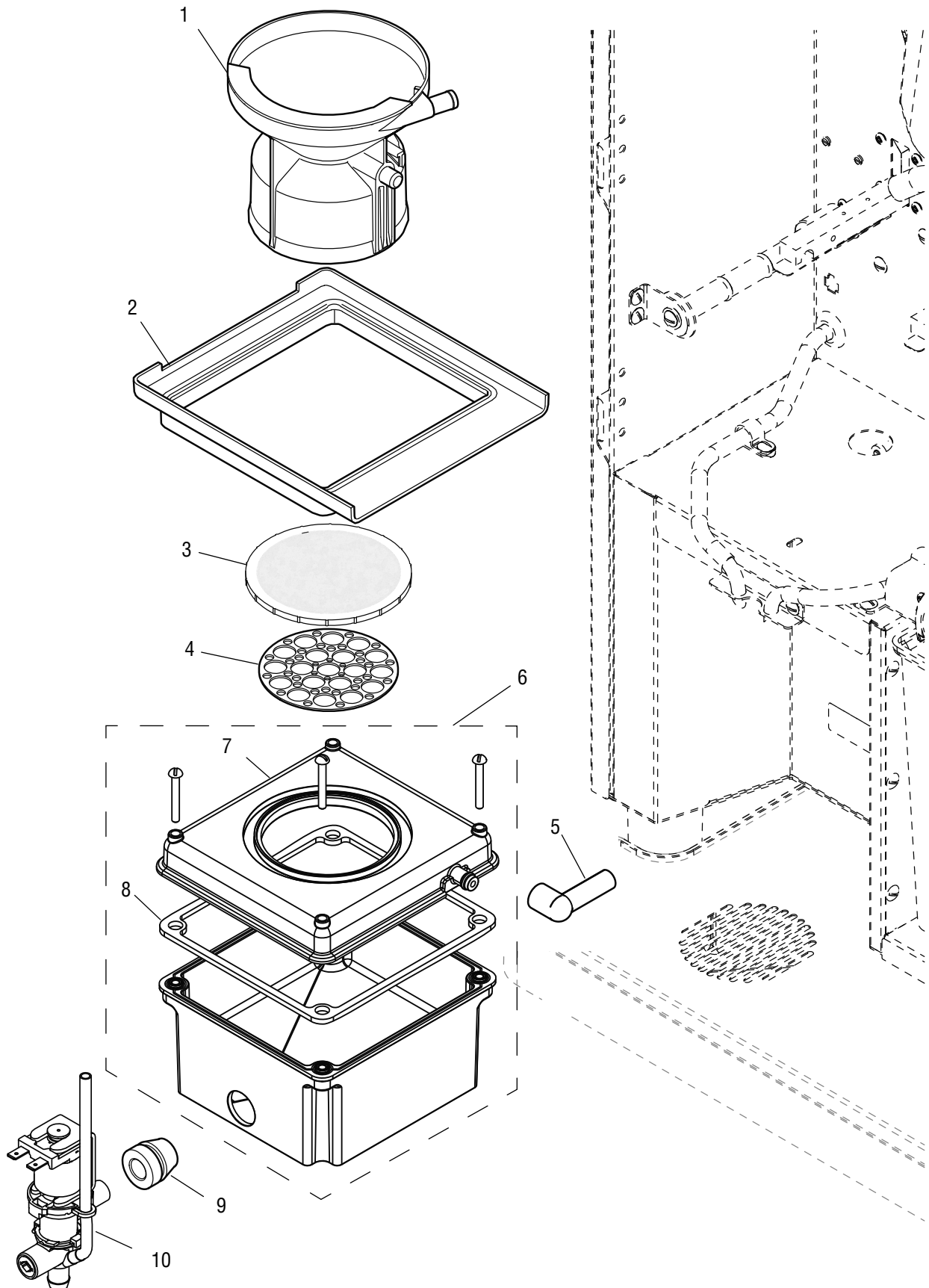
PAPER PATH - TAKEUP DRIVE COMPONENTS

ITEM	PART NO.	QTY.	DESCRIPTION
1	51268.1060	1	Kit, Paper Counter Roller
2	51321.1030	1	Bracket Assy, RPM Sensor
3	51623.1001	1	Kit, Holder Assembly, Paper Roll
4	50784.0000	2	Guide, Paper
5	25977.0000	1	Switch, Roller
6	43583.1001	1	Kit, Gear Motor, 24VDC 100RPM
7	52637.0000	1	Bushing, Paper Drive Back
8	51125.0000	1	Bin, Grounds
9	52639.1000	1	Shaft, Paper Drive
10	52635.0000	1	Bushing, Paper Drive Front
11	52634.0000	1	Handle, Paper Drive



BREW COMPONENTS

Sure
Immersion
220



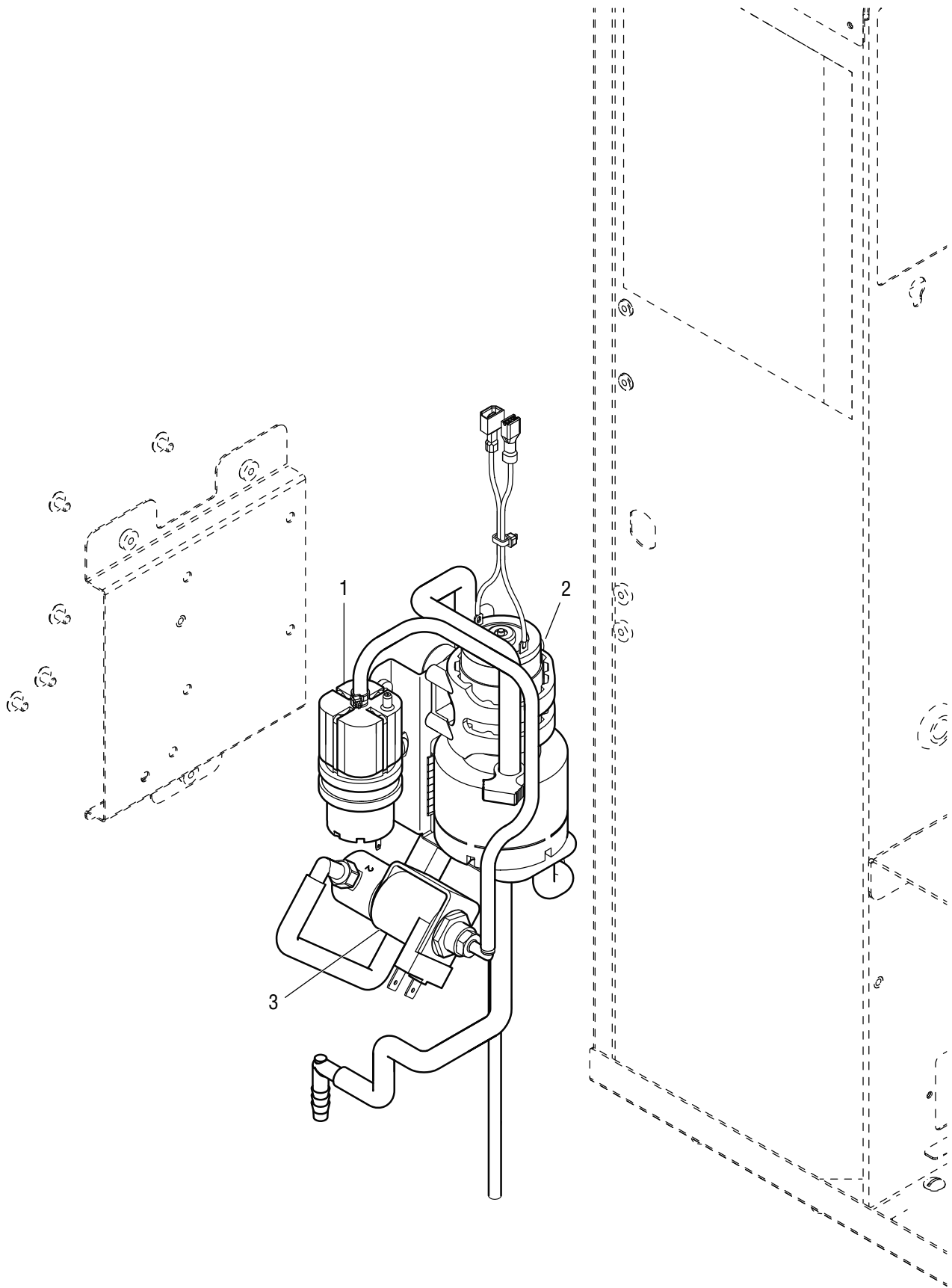
BREW COMPONENTS
DESCRIPTION

ITEM	PART NO.	QTY.	DESCRIPTION
1	50203.0001	1	Brew Funnel Assembly
2	51777.0000	1	Grounds Tray
3	51241.0002	1	Gasket Assy., Vacuum Box
4	50320.0000	1	Plate, Vacuum Box
5	51527.0001	1	Connector, Brew Box Tube
6	54171.1010	-	Kit, Brew Box Assembly (includes items 7 & 8)
7	50317.0004	1	Cover, Vacuum Box
8	50321.0001	1	Gasket, Vacuum Box
	51241.1002	-	Kit, Brew Box Rebuild (includes items 3 & 9)
9	49937.0000	1	Grommet, Dispense Valve
10	49936.0001	1	Coffee Dispense Valve
	49936.0010	-	Kit, Coffee Dispense Valve Rebuild



VACUUM COMPONENTS

Sure.
Immersion
220

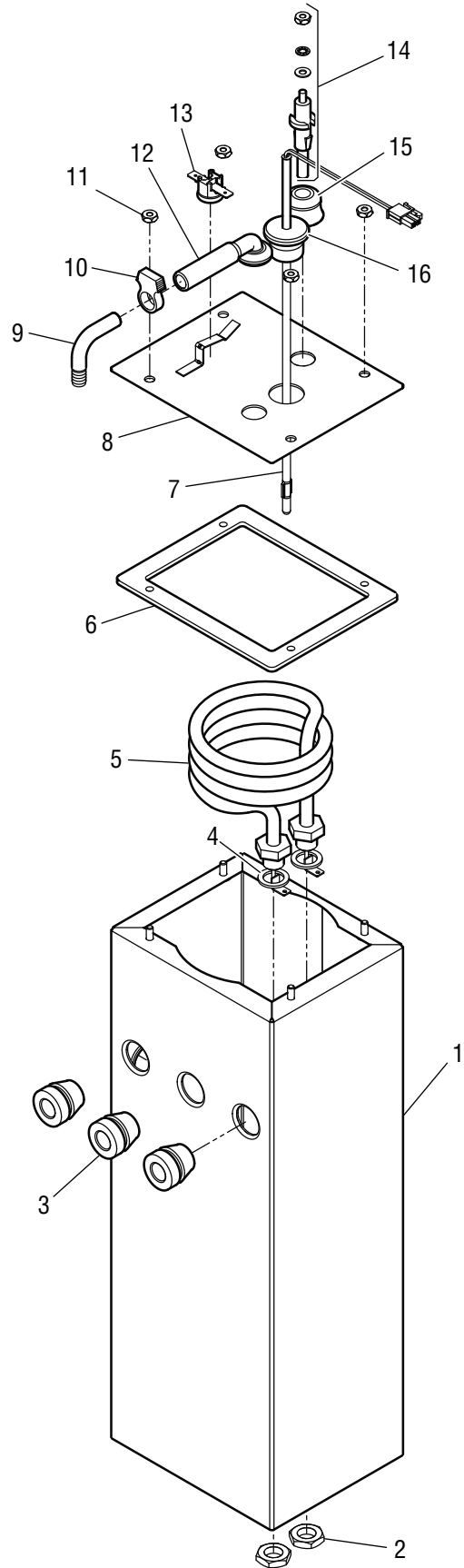
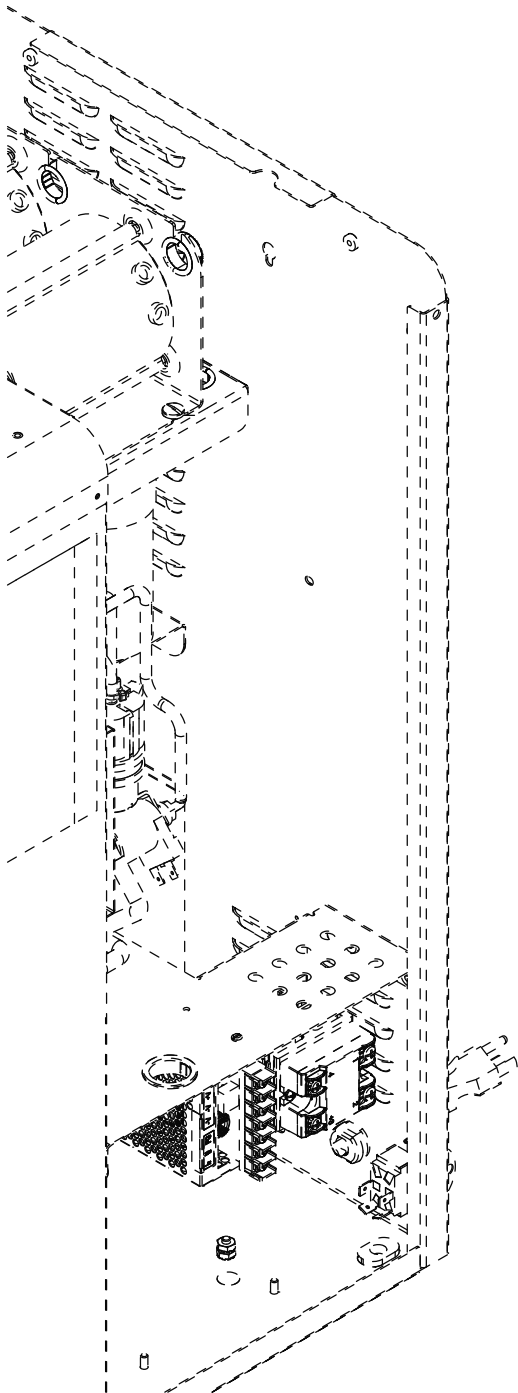


VACUUM COMPONENTS			
ITEM	PART NO.	QTY.	DESCRIPTION
1	50854.0001	1	Air Pump w/Clamp
2	51994.0000	1	Vacuum Pump
3	53119.1000	1	3-Way Valve Assembly
4	42780.0000	1	Reducer, Barb .25 x .188 (Not Illustrated)



WATER TANK COMPONENTS

Sure.
Immersion
220



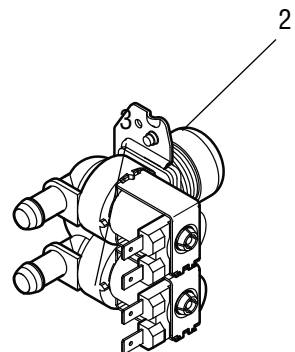
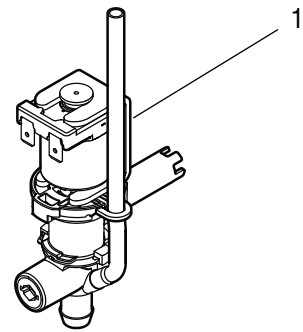
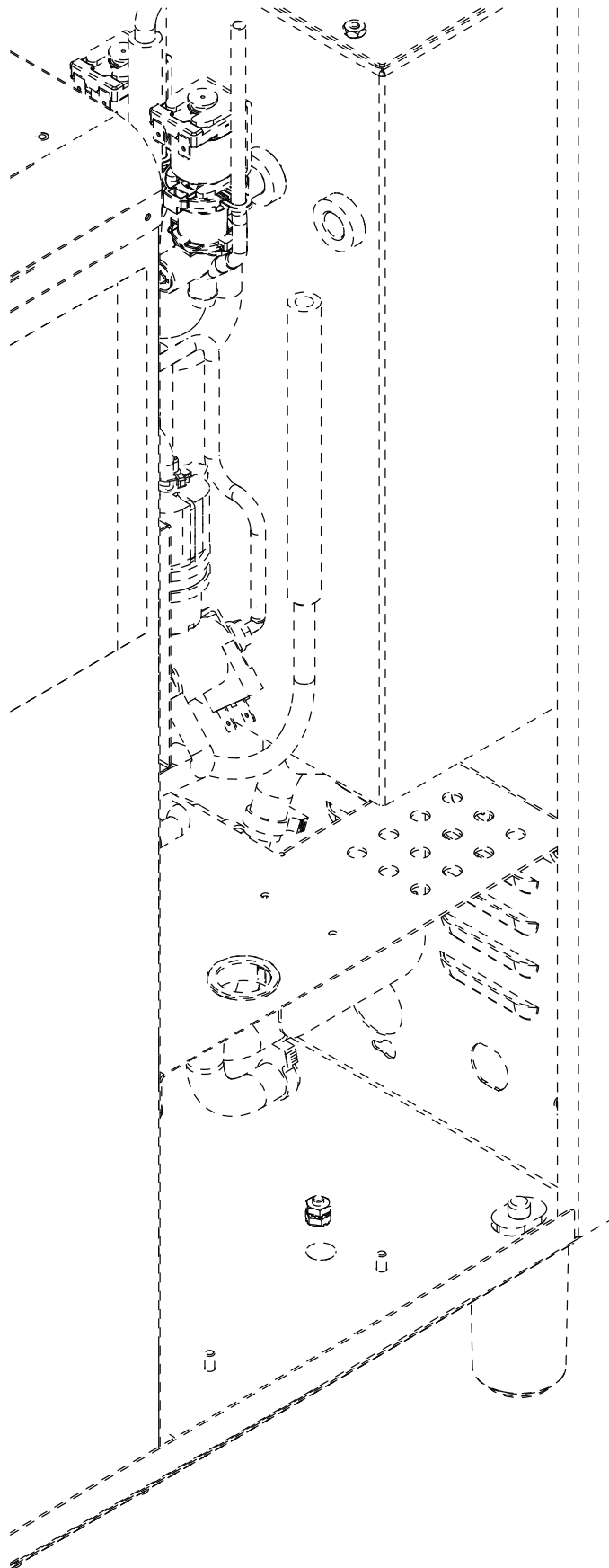
**WATER TANK COMPONENTS
DESCRIPTION**

ITEM	PART NO.	QTY.	DESCRIPTION
	50841.0001	1	Kit, Complete Tank (included items 1-16)
1	50585.0001	1	Tank Weldment
2	00942.0000	2	Nut, Hex Brass - .5-20
3	49937.0000	3	Grommet, Dispense Valve - .47ID x .83 OD
4	00943.0000	2	Gasket, Tank Heater
5	02755.1002	1	Heater, Tank 1680W 120V
6	50022.0000	1	Gasket, Tank
7	39085.1002	1	Probe, Assy. Temp 10.5L
8	48533.0001	1	Tank Lid Wldmt, 4.5 x 5.5 120V
9	34282.0000	1	Elbow, SST .312 Hose ID One End
10	12422.0000	1	Clamp, Hose Snap Type .47/.54ID
11	00908.0000	4	Nut, Hex SST 8-32
12	38969.0003	1	Fitting, 90° Tank Vent Silicon
13	29329.1000	1	Thermostat, Limit-Auto Reset
14	07412.1003	1	Kit, Probe Liquid Level (1.55 L)
15	38114.0000	1	Grommet, Silicone w/Flange
16	33801.0003	1	Grommet, Tank Sensor



WATER VALVE COMPONENTS

Sure.
Immersion
220



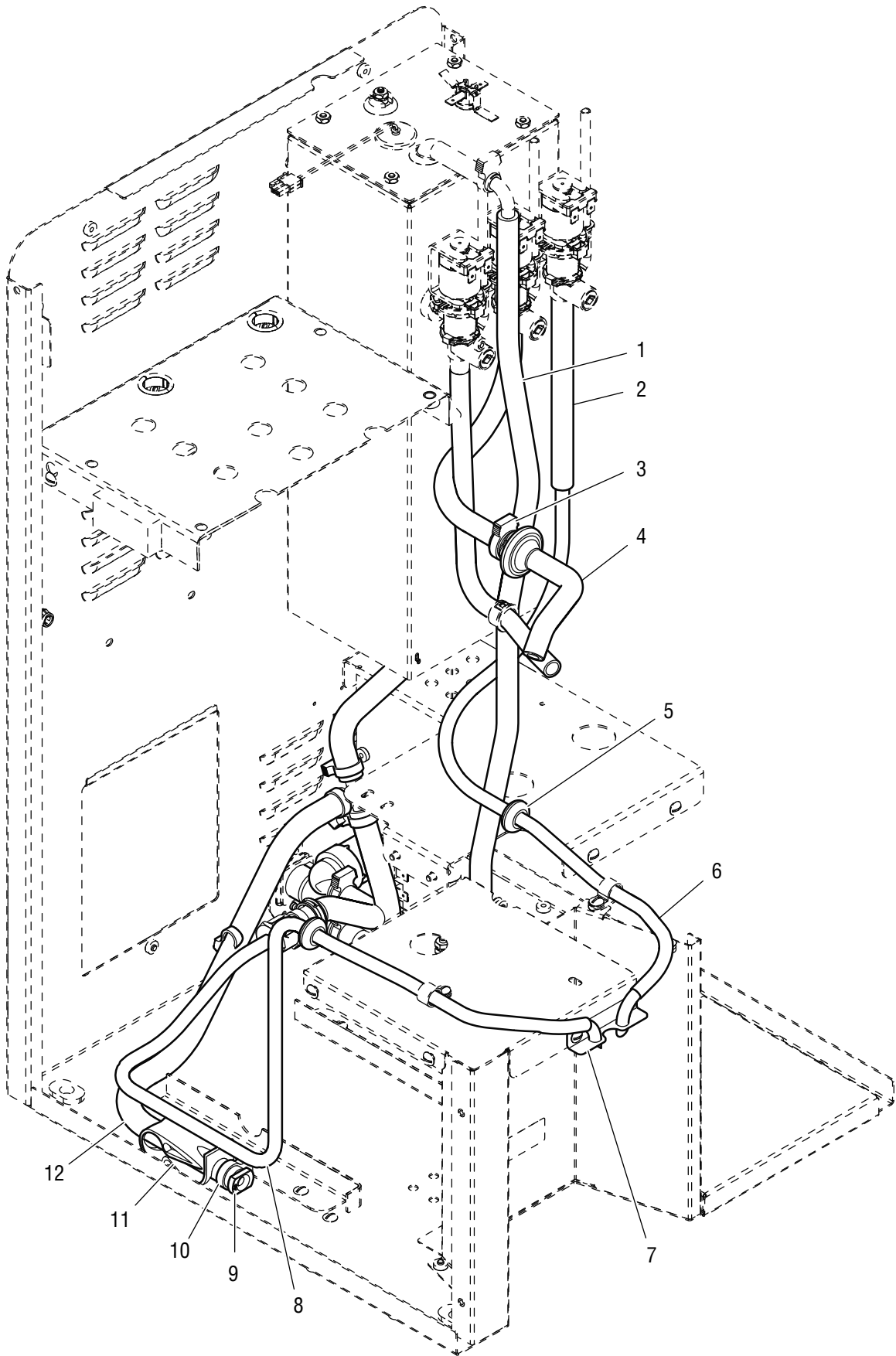
WATER VALVE COMPONENTS
DESCRIPTION

ITEM	PART NO.	QTY.	DESCRIPTION
1	49936.0000	3	Dispense Valve
2	41579.0003	1	Valve Assembly w/.75 GPM Flowcontrol
	49936.0010	1	Kit, Valve Rebuild



WATER HOSE COMPONENTS

Sure.
Immersion
220

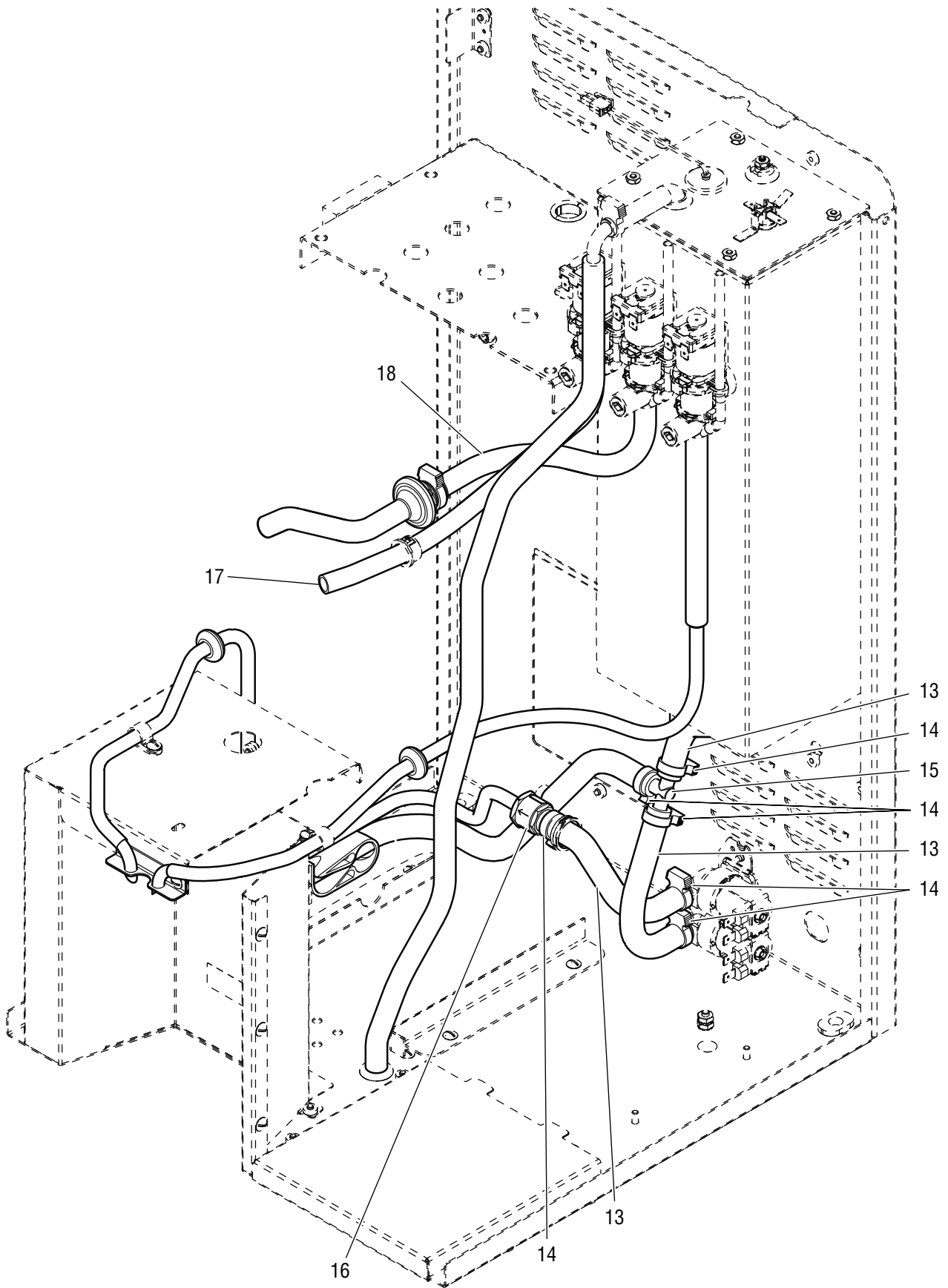


**WATER HOSE COMPONENTS
DESCRIPTION**

ITEM	PART NO.	QTY.	DESCRIPTION
1		1	Tube, Silicone .313" ID x 27.5" (order item 20)
2		1	Tube, Silicone .313" ID x 6" (order item 20)
3	12422.0012	1	Clamp, Hose Snap Type 81/97ID
4	53129.0000	1	Tube, Hot Water Dispense
5	02536.0000	2	Grommet, Silicone .375 ID
6		1	Tube, Silicone 6mm ID x 9mm OD x 22.0" (order item 22)
7	50382.0000	1	Bracket Wldmt, Tube Holder
8		1	Tube, Silicone 6mm ID x 9mm OD x 32.0" (order item 22)
9	34392.0000	1	Plug, Hose .375" ID
10	12422.0001	1	Clamp, Hose Snap Type 59/66ID
11	11630.0001	1	Clamp, Tubing Shut Off .75" OD
12		1	Tube, Silicone .375" ID x 28.0" (order item 19)

The following items are not illustrated

19	20976.1001	-	Tube, Silicone .375 ID - 36"
20	28526.1001	-	Tube, Silicone .313 ID - 36"
21	41193.1001	-	Tube, Silicone .375" ID - 36"
22	50732.1001	-	Tube, Silicone 6mm ID - 36"



WATER HOSE COMPONENTS - continued
DESCRIPTION

ITEM	PART NO.	QTY.	DESCRIPTION
13		3	Tube, Silicone .375" ID x 6" (order item 19)
14	12422.0001	5	Clamp, Hose Snap Type 59/66ID
15	38948.0001	1	Fitting, Tee .375 Barb-PVDF
16	41595.0001	1	Flow Assy, TNLPT 50GPM .38-25
17		1	Tube, Silicone .375 ID x .50 OD x 10.5" (order item 21)
18		1	Tube, Silicone .313ID x .562 x 8.5" (order item 20)

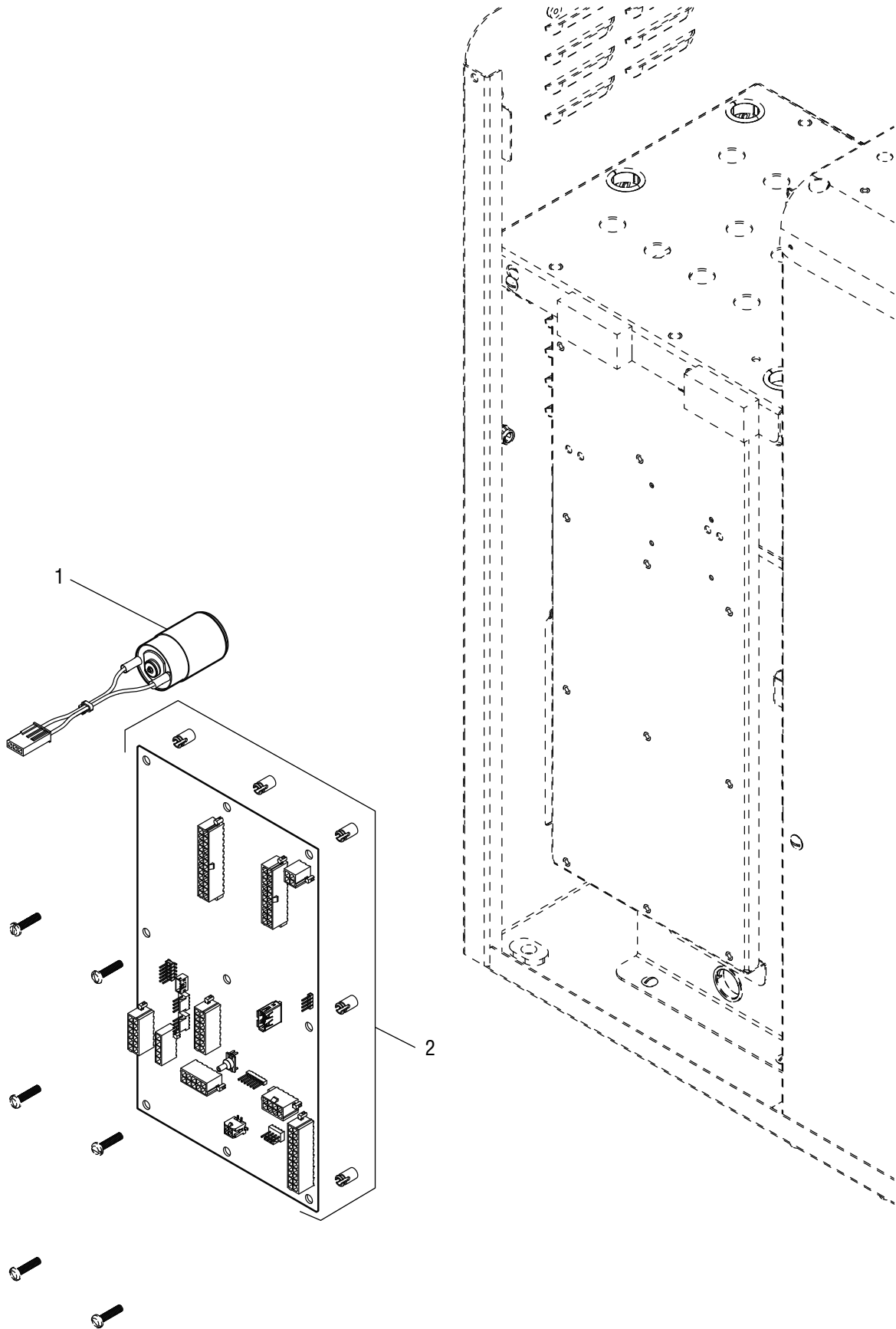
The following items are not illustrated

19	20976.1000	-	Tube, Silicone .375 ID x 12.0"
20	28526.1001	-	Tube, Silicone .313 ID x 36.0"
21	41193.1001	-	Tube, Silicone .375" ID x 36.0"
22	50732.1001	-	Tube, Silicone 6mm ID x 36.0"



ELECTRICAL COMPONENTS - LEFT SIDE

Sure.
Immersion
220



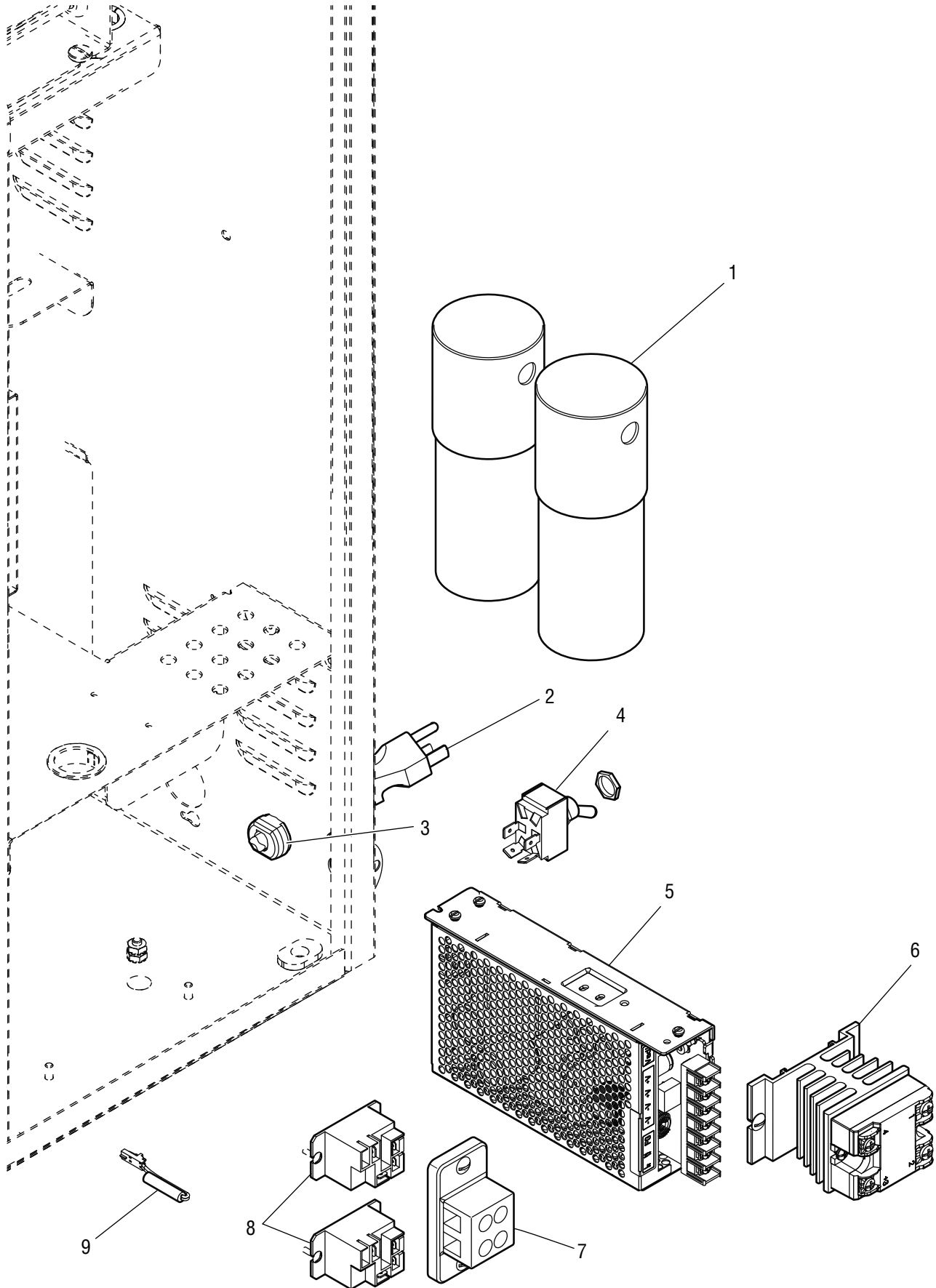
ELECTRICAL COMPONENTS - LEFT SIDE
DESCRIPTION

ITEM	PART NO.	QTY.	DESCRIPTION
1	52565.0000	1	DC Motor and Cam Assy
2	50632.1001	1	CBA Kit, CTRL - Sure Immersion 220



ELECTRICAL COMPONENTS - RIGHT SIDE

Sure.
Immersion
220



ELECTRICAL COMPONENTS - RIGHT SIDE

ITEM	PART NO.	QTY.	DESCRIPTION
1	50811.0103	2	Capacitor, EMH-54 Grinder (ea supplied with grinder - see page 17)
2	20630.0008	1	Cord Assy, PWR 16/3 - 15P
3	01686.0000	1	Bushing, Strain RLF-STR (7K-2)
4	40763.0001	1	Switch, Toggle DPST
5	33363.0006	1	Power Supply, 24VDC 6.5A 150W 1 Phase
6	49266.0000	1	Relay, Solid State
7	01106.0000	1	Terminal Block, 2-Pole Wht/Blk
8	32104.0001	2	Relay, 24C Coil
9	49078.0000	1	Switch Assy, Reed

The following items are not illustrated

10	37842.0000	-	Wiring Harness, TB to EMT FLT
11	51628.0000	-	Wiring Harness, Pump to Paper Motor
12	51627.0000	-	Wiring Harness, Door Switch to Main Harness
13	51626.0000	-	Wiring Harness, Coffee Valve to Main Harness
14	51639.0000	-	Wiring Harness, 120V Power
15	51729.0000	-	Wiring Harness, Hopper Sensor
16	51630.0000	-	Wiring Harness, Main Sure Immersion
17	52584.0000	-	Wiring Harness, Door Interconnect
18	52309.0000	-	Lead Assembly, CBA Current Sensor
19	52215.0000	-	Wiring Harness, Door Switch to CBA
20	51881.0000 53593.0000	-	LED Assembly, Photo-Transistor Retainer, LED Snap
21	51631.0000	-	Wiring Harness, Sensor
22	53307.0000	-	Wiring Harness, Sure Immersion ADA



Page intentionally left blank.

KITS

Accessories (not illustrated)

50766.0001	Paper Roll
26367.0000	Dispense Nozzle Cleaning Brush
42933.0001	Cleaning Tablets, 1 Jar (32 Tablets)
49827.0000	Brush, Tube
53493.0000	Brush, Cleaning
26367.0000	Brush, Tube

BUNNLink Kit: 48694.1003 (not illustrated)

1	CBA
1	Antenna
1	Antenna Adapter
1	Wiring Harness

E-Pay Kit: 53634.0001 (not illustrated)

53752.0000	1	Card Reader System
53812.0000	1	Test Card

NUMERICAL INDEX

PART NO.	PAGE NO.	PART NO.	PAGE NO.	PART NO.	PAGE NO.	PART NO.	PAGE NO.
00614.0001.....	9	38969.0003.....	27	51220.0000.....	7		
00656.0001.....	15	39085.1002.....	27	51221.0000.....	7		
00669.0007.....	9	40763.0001.....	37	51241.0002.....	23		
00908.0000.....	27	41193.1001.....	31,33	51241.1002.....	23		
00942.0000.....	27	41579.0003.....	29	51255.0002.....	11		
00943.0000.....	27	41595.0001.....	33	51263.0001.....	17		
00973.0001.....	11	42780.0000.....	25	51268.1060.....	21		
00986.0000.....	15	42933.0001.....	39	51269.0000.....	39		
01106.0000.....	37	43583.1001.....	21	51321.1030.....	21		
01304.0001.....	11	47318.0000.....	9	51336.1005.....	13		
01308.0003.....	13	47978.1001.....	7	51368.0000.....	7		
01311.0000.....	9	48533.0001.....	27	51371.0000.....	5		
01311.0001.....	9, 13	48694.0000.....	39	51527.0001.....	23		
01317.0001.....	9	48694.1003.....	39	51537.0000.....	11		
01345.0003.....	19	49078.0000.....	37	51623.1001.....	21		
01347.0000.....	9	49266.0000.....	37	51626.0000.....	37		
01384.0000.....	11	49827.0000.....	39	51627.0000.....	37		
01525.0000.....	11	49936.0000.....	29	51628.0000.....	37		
01686.0000.....	37	49936.0001.....	23	51630.0000.....	37		
02328.0000.....	13	49936.0010.....	23,29	51631.0000.....	37		
02536.0000.....	17	49937.0000.....	23,27	51639.0000.....	37		
02755.1002.....	27	50022.0000.....	27	51666.0000.....	9		
07412.1003.....	27	50203.0001.....	23	51720.0000.....	13		
11630.0001.....	31	50320.0000.....	23	51722.0003.....	13		
12422.0000.....	27	50382.0000.....	31	51729.0000.....	37		
12422.0001.....	31,33	50505.0015.....	5	51777.0000.....	23		
12422.0012.....	31	50555.0001.....	17	51881.0000.....	37		
14002.6701.....	9	50573.0001.....	7	51920.0000.....	13		
20630.0008.....	37	50585.0001.....	27	51980.0000.....	9		
20976.1000.....	31,33	50632.1001.....	35	51994.0000.....	25		
21438.0001.....	13	50732.1001.....	31,33	52215.0000.....	37		
25292.0001.....	13	50766.0001.....	39	52309.0000.....	37		
25899.0000.....	7	50772.0001.....	11	52369.0000.....	17		
25977.0000.....	19	50773.0001.....	11	52565.0000.....	35		
25977.1001.....	21	50774.1002.....	11	52584.0000.....	37		
26367.0000.....	39	50775.1001.....	11	52601.1001.....	19		
27433.0000.....	11	50784.0000.....	21	52634.0000.....	21		
28095.0000.....	7	50785.1001.....	5	52635.0000.....	21		
28526.1001.....	31	50786.1001.....	5	52637.0000.....	21		
28526.1001.....	33	50810.1003.....	7	52639.1000.....	21		
29329.0001.....	27	50811.0100.....	17	52687.0000.....	9		
32104.0001.....	37	50811.0101.....	17	52993.1000.....	13		
33363.0006.....	37	50811.0102.....	17	53119.1000.....	25		
33801.0000.....	27	50811.0103.....	17,37	53129.0000.....	31		
34282.0000.....	27	50838.0000.....	9	53306.0000.....	39		
34392.0000.....	31	50841.0001.....	27	53307.0000.....	37		
34472.1001.....	7	50854.0000.....	25	53340.0000.....	9		
34666.0000.....	7	50954.1000.....	19	53493.0000.....	39		
34667.0000.....	9	51097.0001.....	7	53593.0000.....	7,37		
35710.0000.....	15	51125.0000.....	21	53634.0001.....	39		
36484.0000.....	9	51161.0000.....	9	53663.0000.....	19		
36903.0001.....	9	51162.0000.....	9	53737.0000.....	39		
37842.0000.....	37	51163.1000.....	5	53752.0000.....	39		
37881.0000.....	15	51173.0000.....	11	53812.0000.....	39		
38114.0000.....	27	51187.0000.....	9	54171.1010.....	23		
38948.0001.....	33	51191.0000.....	9				