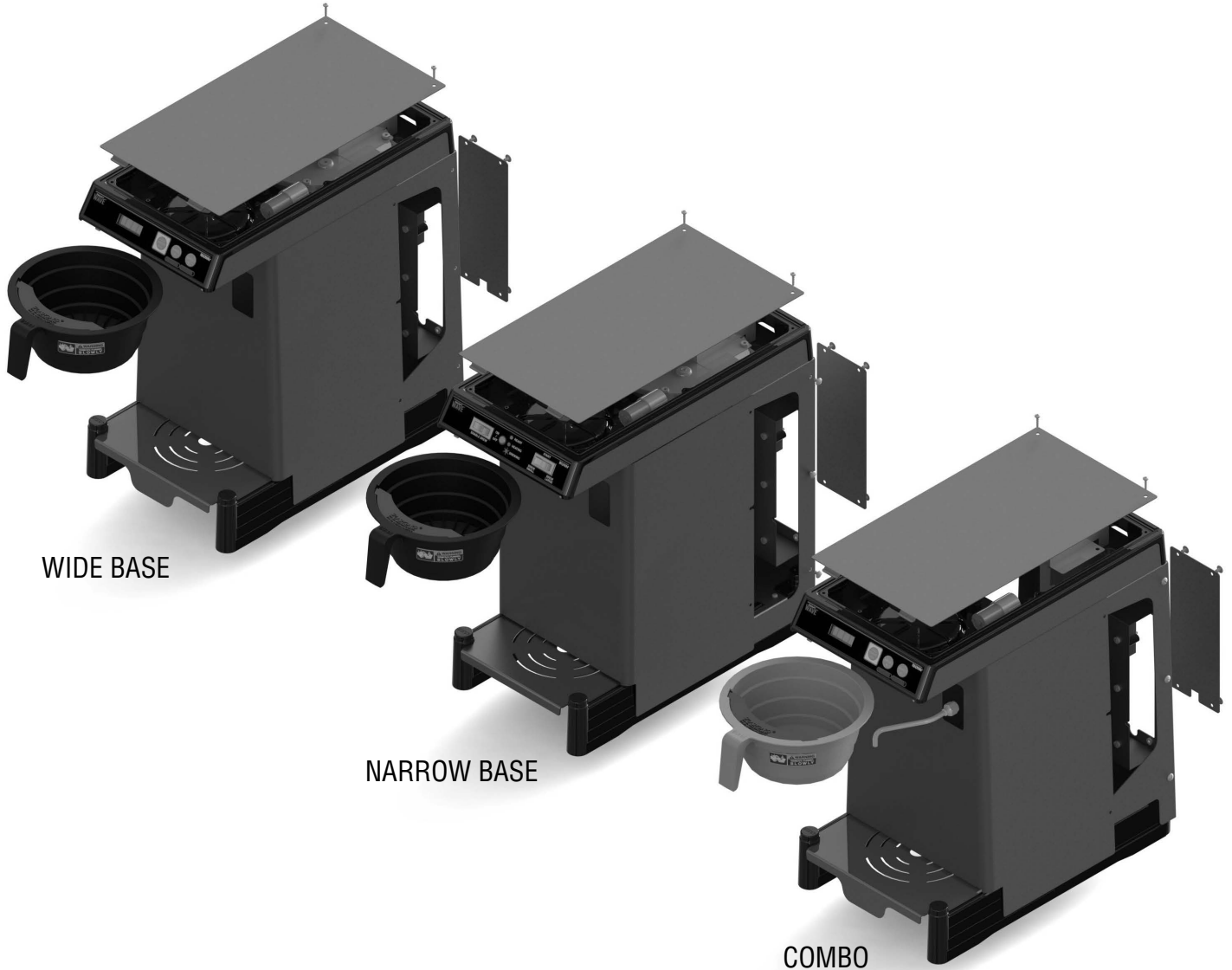


BUNN®

SMART WAVE® Series



WIDE BASE

NARROW BASE

COMBO

ILLUSTRATED PARTS CATALOG

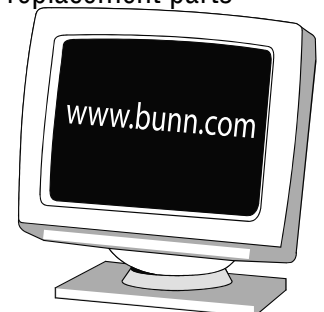
Designs, materials, weights, specifications, and dimensions for equipment or replacement parts are subject to change without notice.

BUNN-O-MATIC CORPORATION

POST OFFICE BOX 3227

SPRINGFIELD, ILLINOIS 62708-3227

PHONE: (217) 529-6601 FAX: (217) 529-6644



BUNN-O-MATIC COMMERCIAL PRODUCT WARRANTY

Bunn-O-Matic Corp. ("BUNN") warrants equipment manufactured by it as follows:

- 1) Airpots, thermal carafes, decanters, GPR servers, iced tea/coffee dispensers, MCR/MCP/MCA single cup brewers, thermal servers and ThermoFresh® servers (mechanical and digital) 1 year parts and 1 year labor.
- 2) All other equipment - 2 years parts and 1 year labor plus added warranties as specified below:
 - a) Electronic circuit and/or control boards - parts and labor for 3 years.
 - b) Compressors on refrigeration equipment - 5 years parts and 1 year labor.
 - c) Grinding burrs on coffee grinding equipment to grind coffee to meet original factory screen sieve analysis - parts and labor for 4 years or 40,000 pounds of coffee, whichever comes first.

These warranty periods run from the date of installation BUNN warrants that the equipment manufactured by it will be commercially free of defects in material and workmanship existing at the time of manufacture and appearing within the applicable warranty period. This warranty does not apply to any equipment, component or part that was not manufactured by BUNN or that, in BUNN's judgment, has been affected by misuse, neglect, alteration, improper installation or operation, improper maintenance or repair, non periodic cleaning and descaling, equipment failures related to poor water quality, damage or casualty. In addition, the warranty does not apply to replacement of items subject to normal use including but not limited to user replaceable parts such as seals and gaskets. This warranty is conditioned on the Buyer 1) giving BUNN prompt notice of

any claim to be made under this warranty by telephone at (217) 529-6601 or by writing to Post Office Box 3227, Springfield, Illinois 62708-3227; 2) if requested by BUNN, shipping the defective equipment prepaid to an authorized BUNN service location; and 3) receiving prior authorization from BUNN that the defective equipment is under warranty.

THE FOREGOING WARRANTY IS EXCLUSIVE AND IS IN LIEU OF ANY OTHER WARRANTY, WRITTEN OR ORAL, EXPRESS OR IMPLIED, INCLUDING, BUT NOT LIMITED TO, ANY IMPLIED WARRANTY OF EITHER MERCHANTABILITY OR FITNESS FOR A PARTICULAR PURPOSE. The agents, dealers or employees of BUNN are not authorized to make modifications to this warranty or to make additional warranties that are binding on BUNN. Accordingly, statements by such individuals, whether oral or written, do not constitute warranties and should not be relied upon.

If BUNN determines in its sole discretion that the equipment does not conform to the warranty, BUNN, at its exclusive option while the equipment is under warranty, shall either 1) provide at no charge replacement parts and/or labor (during the applicable parts and labor warranty periods specified above) to repair the defective components, provided that this repair is done by a BUNN Authorized Service Representative; or 2) shall replace the equipment or refund the purchase price for the equipment.

THE BUYER'S REMEDY AGAINST BUNN FOR THE BREACH OF ANY OBLIGATION ARISING OUT OF THE SALE OF THIS EQUIPMENT, WHETHER DERIVED FROM WARRANTY OR OTHERWISE, SHALL BE LIMITED, AT BUNN'S SOLE OPTION AS SPECIFIED HEREIN, TO REPAIR, REPLACEMENT OR REFUND.

In no event shall BUNN be liable for any other damage or loss, including, but not limited to, lost profits, lost sales, loss of use of equipment, claims of Buyer's customers, cost of capital, cost of down time, cost of substitute equipment, facilities or services, or any other special, incidental or consequential damages.

392, A Partner You Can Count On, Air Infusion, AutoPOD, AXIOM, BrewLOGIC, BrewMETER, Brew Better Not Bitter, BrewWISE, BrewWIZARD, BUNN Espresso, BUNN Family Gourmet, BUNN Gourmet, BUNN Pour-O-Matic, BUNN, BUNN with the stylized red line, BUNNlink, Bunn-O-Matic, Bunn-O-Matic, BUNNserve, BUNNSERVE with the stylized wrench design, Cool Froth, DBC, Dr. Brew stylized Dr. design, Dual, Easy Pour, EasyClear, EasyGard, FlavorGard, Gourmet Ice, Gourmet Juice, High Intensity, iMIX, Infusion Series, Intellisteam, My Café, Phase Brew, PowerLogic, Quality Beverage Equipment Worldwide, Respect Earth, Respect Earth with the stylized leaf and coffee cherry design, Safety-Fresh, savemycoffee.com, Scale-Pro, Silver Series, Single, Smart Funnel, Smart Hopper, SmartWAVE, Soft Heat, SplashGard, The Mark of Quality in Beverage Equipment Worldwide, ThermoFresh, Titan, trifacta, TRIFECTA (stylized logo), Velocity Brew, Air Brew, Beverage Bar Creator, Beverage Profit Calculator, Brew better, not bitter., Build-A-Drink, BUNNSource, Coffee At Its Best, Cyclonic Heating System, Daypart, Digital Brewer Control, Element, Milk Texturing Fusion, Nothing Brews Like a BUNN, Picture Prompted Cleaning, Pouring Profits, Signature Series, Sure Tamp, Tea At Its Best, The Horizontal Red Line, Ultra are either trademarks or registered trademarks of Bunn-O-Matic Corporation. The commercial trifacta® brewer housing configuration is a trademark of Bunn-O-Matic Corporation.

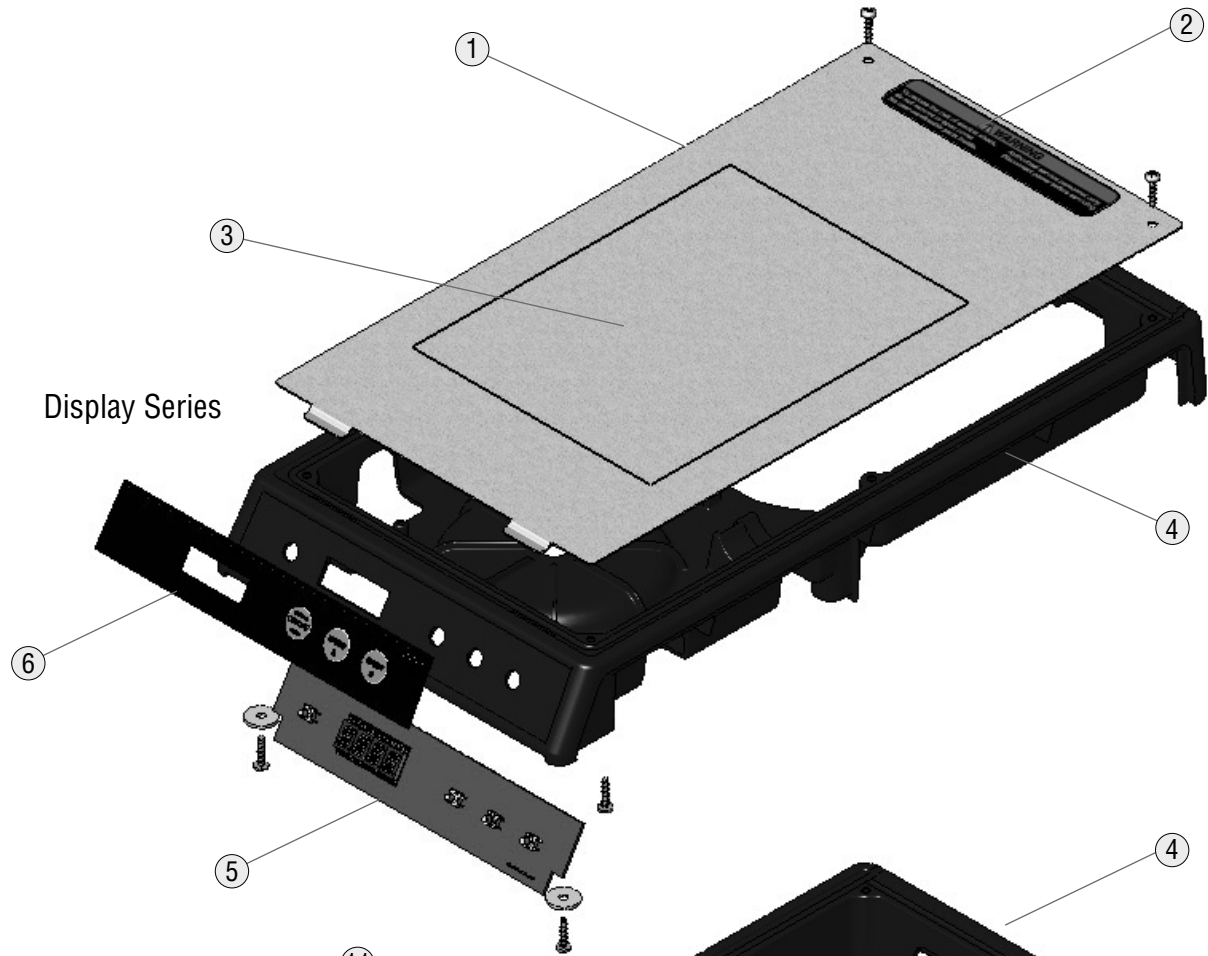
TABLE OF CONTENTS

HOOD ASSEMBLIES	4
TRUNK, FAUCET & BASE	6
REAR FRAME & INLET FIRST STYLE.....	8
REAR FRAME & INLET SECOND STYLE	10
TANK AND COMPONENTS	12
FUNNELS	14
NUMERICAL INDEX	16

To order coffee filters, water filters, or other accessories, refer to Specification Sheets at www.bunn.com

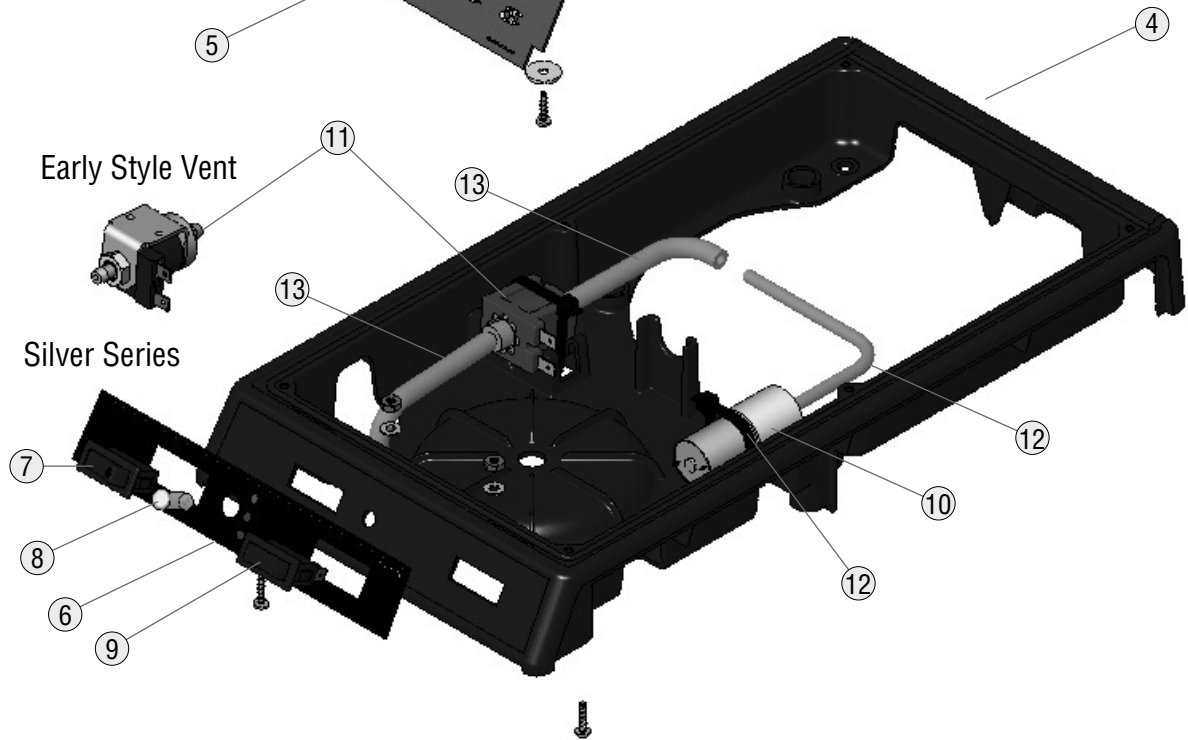
Fraction	Decimal		Fraction	Decimal
1/16	0.063		9/16	0.563
1/8	0.125		5/8	0.625
3/16	0.188		11/16	0.688
1/4	0.250		3/4	0.750
5/16	0.313		13/16	0.813
3/8	0.375		7/8	0.875
7/16	0.438		15/16	0.938
1/2	0.500		1	1.000

Display Series



Early Style Vent

Silver Series



HOOD ASSEMBLIES

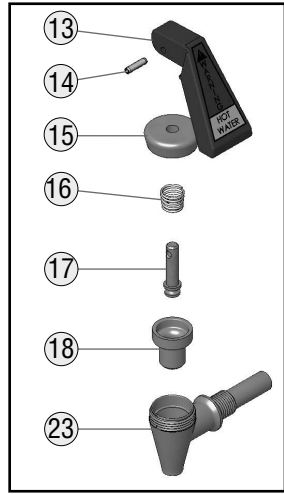
ITEM	PART NO.	QTY. DISPLAY	QTY. SILVER	DESCRIPTION
1	40152.1000	1	1	Cover, (Includes Item 2)
	01360.0001	2	2	Screw # 8-32 x .375"
2	37881.0002	1	1	Decal, No User Serviceable Parts
3	40405.0001	1	1	Schematic 230V
	40405.0002	1	1	Schematic 120V/240V
	40405.0003	1	1	Schematic 100V & 120V
	40405.0004	-	-	Schematic 120V Combo Only
4	39661.0000	-	1	Hood (Silver Series)
	39661.0001	1	-	Hood (Display)
	44646.0001	2	2	Screw # 8-32 x .375"
	00908.0000	2	2	Nut #8-32
	01501.0000	3	3	Washer
5	39955.1000	1	-	Display Board
	01360.0001	2	-	Screw # 8-32 x .375"
	40608.0000	2	-	Washer
6	40201.0000	-	1	Decal, Silver Series
	40202.0000	1	-	Decal, Display Series
7	40310.0000	-	1	Switch, Enable Brew ON/OFF
8	40298.0000	-	1	LED
9	40309.0000	-	1	Switch, Brew Start
10	38316.1000	1	1	Air Pump (Includes 2 Cable Ties)
11	39984.1000	1	1	Vent Solenoid (Includes Cable Ties) Early Style
	-----	1	1	Cable Tie (Purchase locally)
	39984.1001	1	1	Vent Solenoid (Includes Cable Ties) Later Style
	-----	1	1	Cable Tie (Purchase locally)
12	-----	1	1	Tube .125" ID x 6.0" LG (Order # 23, cut as needed)
13	-----	2	2	Tube .188" ID x 4.0" LG (Order # 24, cut as needed)

The Following Items Are Not Illustrated

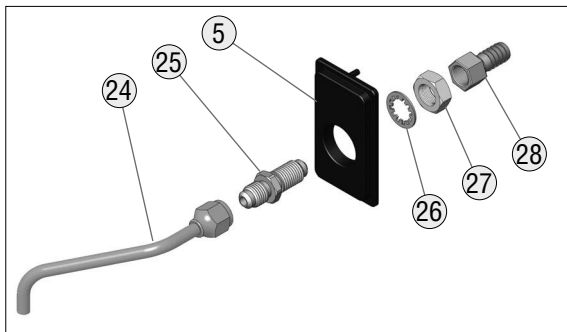
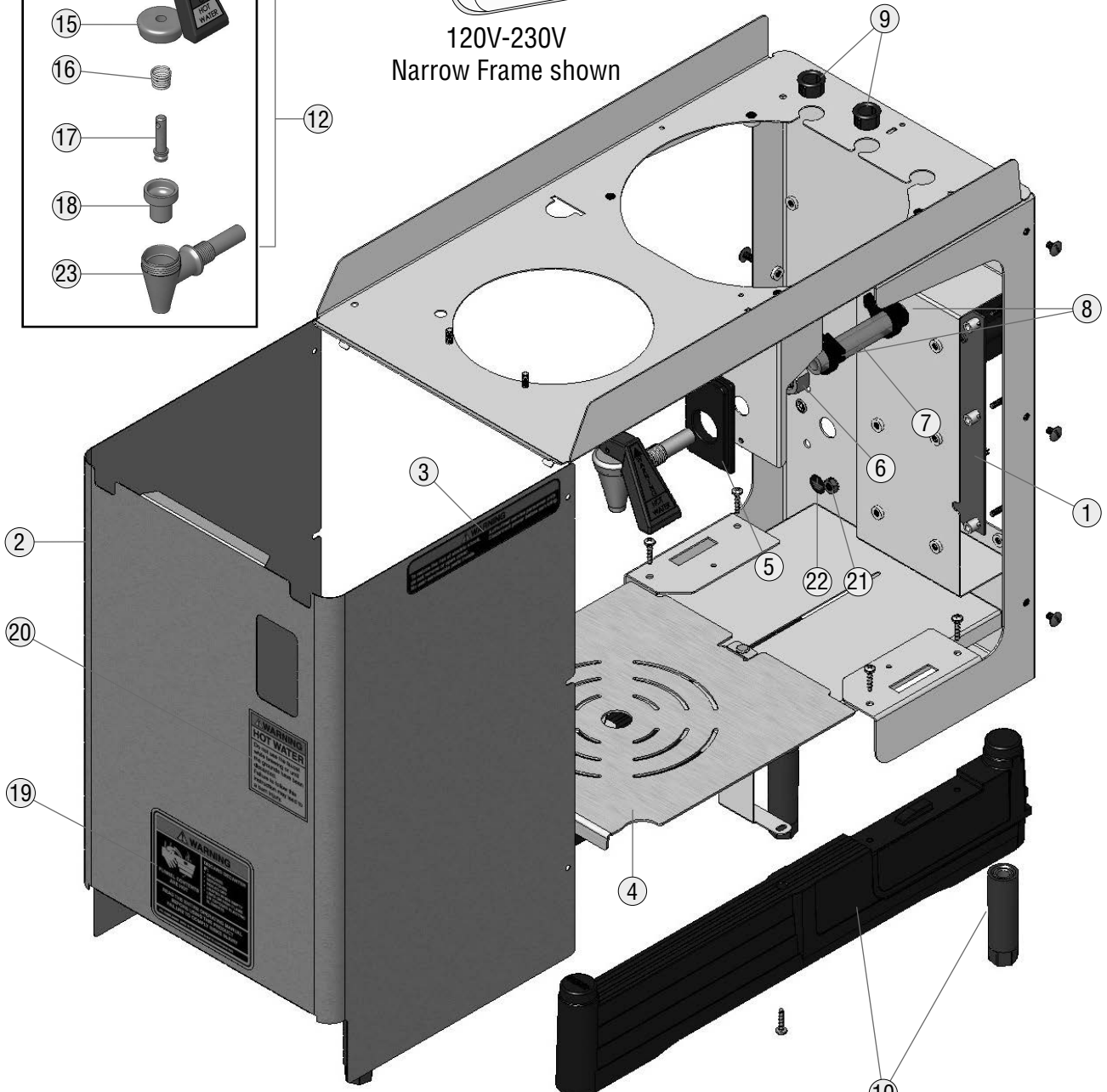
14	36671.0003	1	-	Decals, Flavor/Batch
15	40167.0001	1	1	Wiring Harness, CBA To Vent, Pump, Level Probe
16	40168.0001	-	1	Wiring Harness, CBA To Switches
17	40173.0000	1	1	Wiring Harness, Main 120V (Includes 1 Limit Thermostat)
	40173.0001	1	1	Wiring Harness, Main 230V (Includes 2 Limit Thermostats)
	40173.0002	1	1	Wiring Harness, Main 120V/240V (Includes 1 Limit Thermostat)
18	40378.0001	1	-	Wiring Harness, CBA To Display Board
19	49085.0000	-	-	Wiring Harness, CBA to Relay
20	49086.0000	-	-	Wiring Harness (Black Lead), Relay to Inlet Valve
21	49087.0000	-	-	Wiring Harness (Black Lead), CBA to Relay
22	49088.0000	-	-	Wiring Harness (White Lead), Inlet Valve to Inlet Valve
23	36630.1000	-	-	Tube, Bulk .125" ID x 1 Foot
	36630.1001	-	-	Tube, Bulk .125" ID x 3 Feet
	36630.1002	-	-	Tube, Bulk .125" ID x 10 Feet
24	36631.1000	-	-	Tube, Bulk .188" ID x 1 Foot
	36631.1001	-	-	Tube, Bulk .188" ID x 3 Feet
	36631.1002	-	-	Tube, Bulk .188" ID x 10 Feet

} COMBO
MODELS
ONLY

* Indicates the part number listed is for reference only. See DESCRIPTION for possible service replacement.



120V-230V
Narrow Frame shown

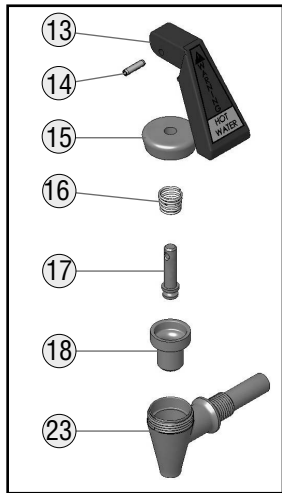


TRUNK, FAUCET & BASE

ITEM	PART NO.	QTY. DISPLAY	QTY. SILVER	DESCRIPTION
1	39658.1002	1	1	Control Board Assy. 120V
	39658.1003	1	1	Control Board Assy. 240V RoHS
	39658.1005	1	1	Control Board Assy. 120V RoHS Combo Only
	29081.0002	6	6	Spacer
	02367.0000	6	6	Screw Truss head #6-32 x .625"
2	40153.1000	1	1	Front Cover w/Decals (Narrow)
	41691.1000	1	1	Front Cover w/Decals (Wide)
	41691.1001	1	1	Front Cover w/Decals (Wide) w/o Faucet Hole
	01308.0000	6	6	Screw Truss head #6-32 x .25"
3	37881.0002	1	1	Decal, No User Serviceable Parts
4	40273.0000	1	1	Booster Plate (Narrow)
	40273.0001	1	1	Booster Plate (Wide)
5	39974.0000	1	1	Bezel, Faucet
	40374.0000	2	2	Ring, Self Locking
6	29264.0000	1	1	Nut, Faucet
7	-----	1	1	Tube, Tank to Faucet .313" ID x 3.5" (Order # 29)
	-----	1	1	Tube, Inlet to Dilution .313" ID x 18.0" (Combo Only) (Order # 29)
8	12422.0006	2	2	Clamp, SNP - 8
9	00614.0000	2	2	Bushing
10	39703.1000	2	2	Leg Assy. (Includes 2 Feet Assy.)
	44646.0001	6	6	Screw, Tapping Pan head #6 x .6"
11	39667.0000	4	4	Foot Assy.
12	40293.0000	1	1	Faucet Assy.
13	02861.0003	1	1	Handle
14	02858.0000	1	1	Pin
15	02854.0000	1	1	Bonnet
16	02595.0000	1	1	Spring
17	13054.0000	1	1	Stem
18	02766.0000	1	1	Seat Cup
19	00658.0000	1	1	Decal, Warning-Decanter/Funnel
20	42878.0000	1	1	Decal, Warning-Hot Water Faucet
21	00970.0000	1	1	Keps Nut #8-32, Ground Wire
22	00824.0002	1	1	Decal, Ground
23	-----	1	1	Body, Faucet
24	47304.0000	-	-	Tube, Dilution (Combo Only)
25	44865.0000	-	-	Fitting, Bulkhead (Combo Only)

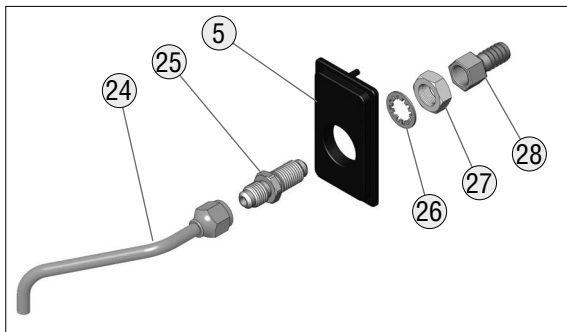
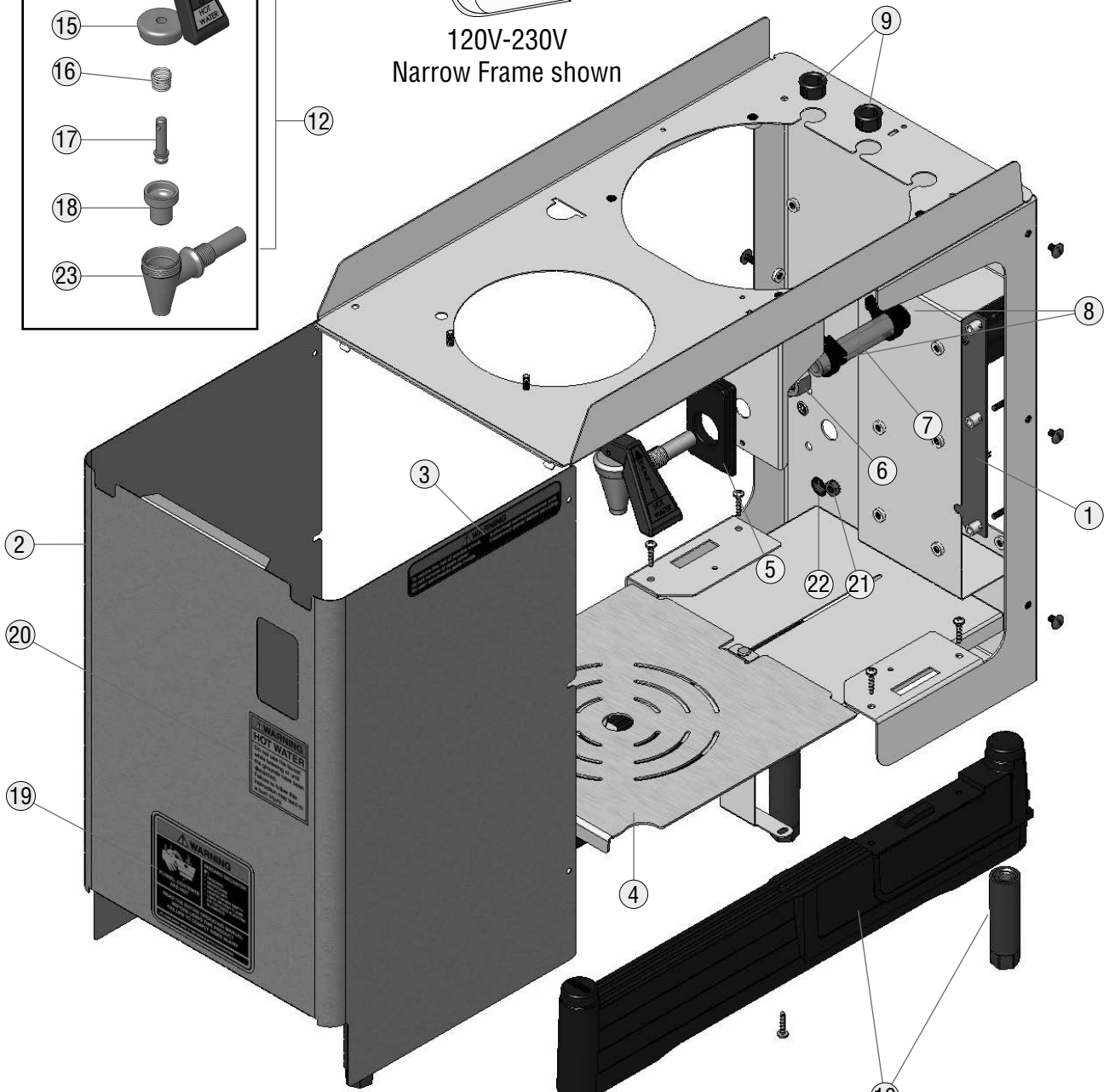
Continued on next page

* Indicates the part number listed is for reference only. See DESCRIPTION for possible service replacement.



Note

120V-230V
Narrow Frame shown

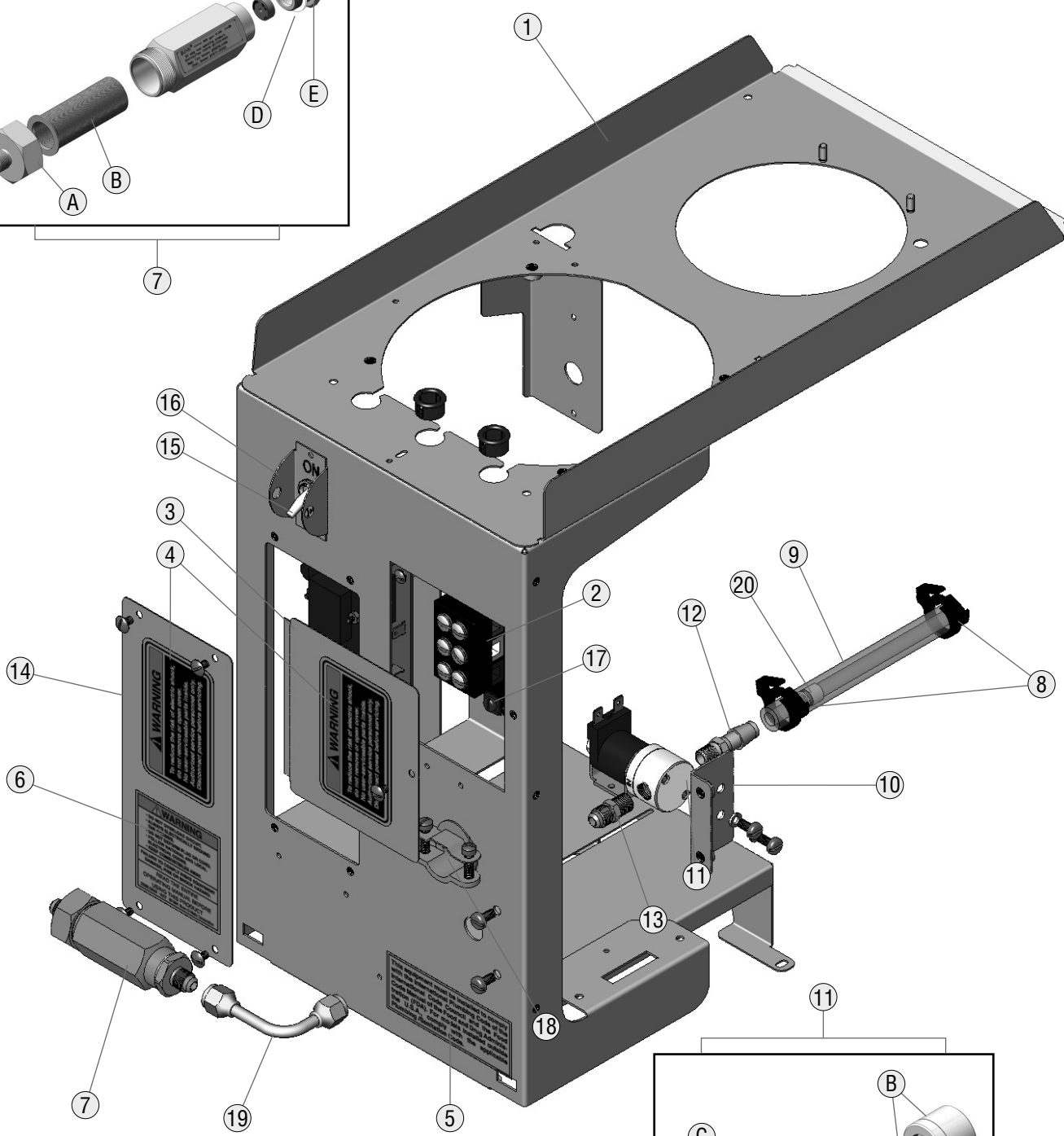
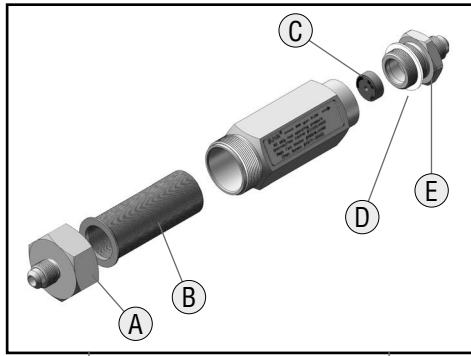


TRUNK, FAUCET & BASE

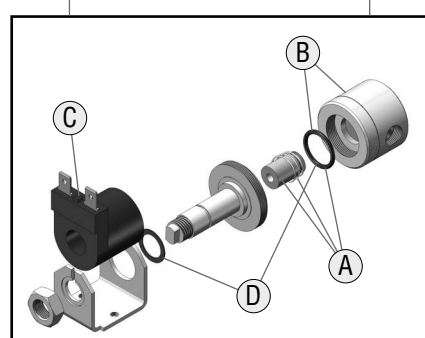
ITEM	PART NO.	QTY. DISPLAY	QTY. SILVER	DESCRIPTION
26	01532.0000	-	-	Washer, Lock (Combo Only)
27	00463.0000	-	-	Nut (Combo Only)
28	40187.0001	-	-	Fitting, Hose Adapter (Combo Only)
	12422.0001	-	-	Clamp, SNP - 10 (Combo Only)

The Following Items Are Not Illustrated

29	28526.1000	-	-	Tube, .313" ID x 12" LG
	28526.1001	-	-	Tube, .313" ID x 36" LG
	28526.1002	-	-	Tube, .313" ID x 60" LG
	28526.1003	-	-	Tube, .313" ID x 120" LG



Note
120V/240V
Frame shown



REAR FRAME & INLET - FIRST STYLE

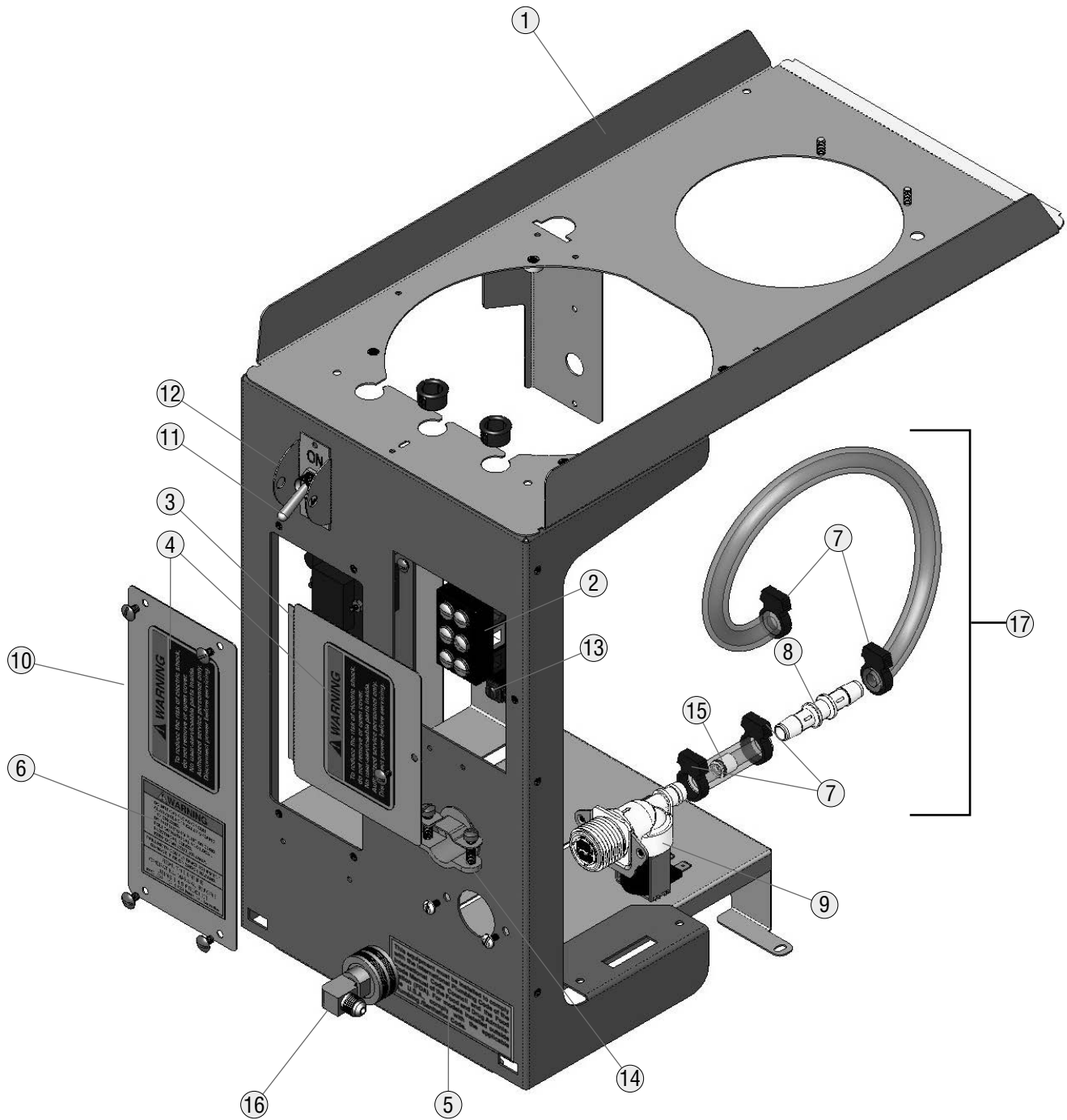
ITEM	PART NO.	QTY. DISPLAY	QTY. SILVER	DESCRIPTION
1	-----	1	1	Frame Assy. 120V & 230V Narrow Models (No longer available)
	-----	1	1	Frame Assy. 120V/240V Narrow Models (Illustrated) (No longer available)
2	07038.0000	1	1	terminal Block 120V/240V Models Only
	01317.0000	2	2	Screw, Truss Head #8-32 x .5"
3	40739.1000	1	1	Cover, Term. Block Access 120V/240V Models Only (Includes Decal)
	01308.0000	1	1	Screw, Truss Head #6-32 x .25"
4	37881.0000	2	2	Decal, No User Serviceable Parts (1 less used on 120V)
5	00656.0001	1	1	Decal, Comply to Plumbing Code
6	00986.0000	1	1	Decal, Warning-Electrical
7	22300.0222	1	1	Strainer/Flow Control .222 GPM
A	22249.0000	1	1	Cap .25" Flare
B	23721.0000	1	1	Screen
C	20526.1222	1	1	Flow Washer .222 GPM
D	01155.0000	1	1	Gasket
E	01154.0001	1	1	Outlet .25" Flare
8	12422.0006	2	2	Clamp, SNP-8
9	-----	1	1	Tube, .313" ID x 5.5" LG (Order # 29 on page 9)
10	36996.0001	1	1	Bracket
	01327.0000	2	2	Screw, Pan Head #10-32 x .375"
11	01085.0002	1	1	Solenoid Assy. 120V
	01085.0005	1	1	Solenoid Assy. 230V
	01327.0000	2	2	Screw, Pan Head #10-32 x .375"
	01502.0000	2	2	Lockwasher
A	01111.0002	1	1	Repair Kit (Plunger, Spring, O-ring)
B	28479.0000	1	1	Base/O-Ring Kit
C	28480.0000	1	1	Coil, 120VAC
D	28481.0000	1	1	Guide/O-Ring Kit
12	40343.0000	1	1	Fitting
13	00402.0001	1	1	Fitting
14	40179.1000	1	1	Cover, Board Access 120V & 230V Models
	40179.1001	1	1	Cover, Board Access 120V/240V Models Only (Illustrated)
	01308.0000	4	4	Screw, Truss Head #6-32 x .25"
15	40763.0001	1	1	Toggle Switch, DPST, Main ON/OFF (120V/240V Only)
16	25102.0000	1	1	Bracket, Switch Gaurd (120V/240V Only)
17	37804.0000	1	1	Ground Screw #8-32 x .5" (120V/240V Models Only)
18	01590.0000	1	1	Connector, Cord
19	00310.0000	1	1	Tube Assembly
20	36378.0001	1	1	Valve, Check 2.5 Psi (CE Models Only)

} Includes Decals

The Following Items Are Not Illustrated

21	36381.0005	1	1	Power Cord, 120V
	36381.0006	1	1	Power Cord, 230V

* Indicates the part number listed is for reference only. See DESCRIPTION for possible service replacement.

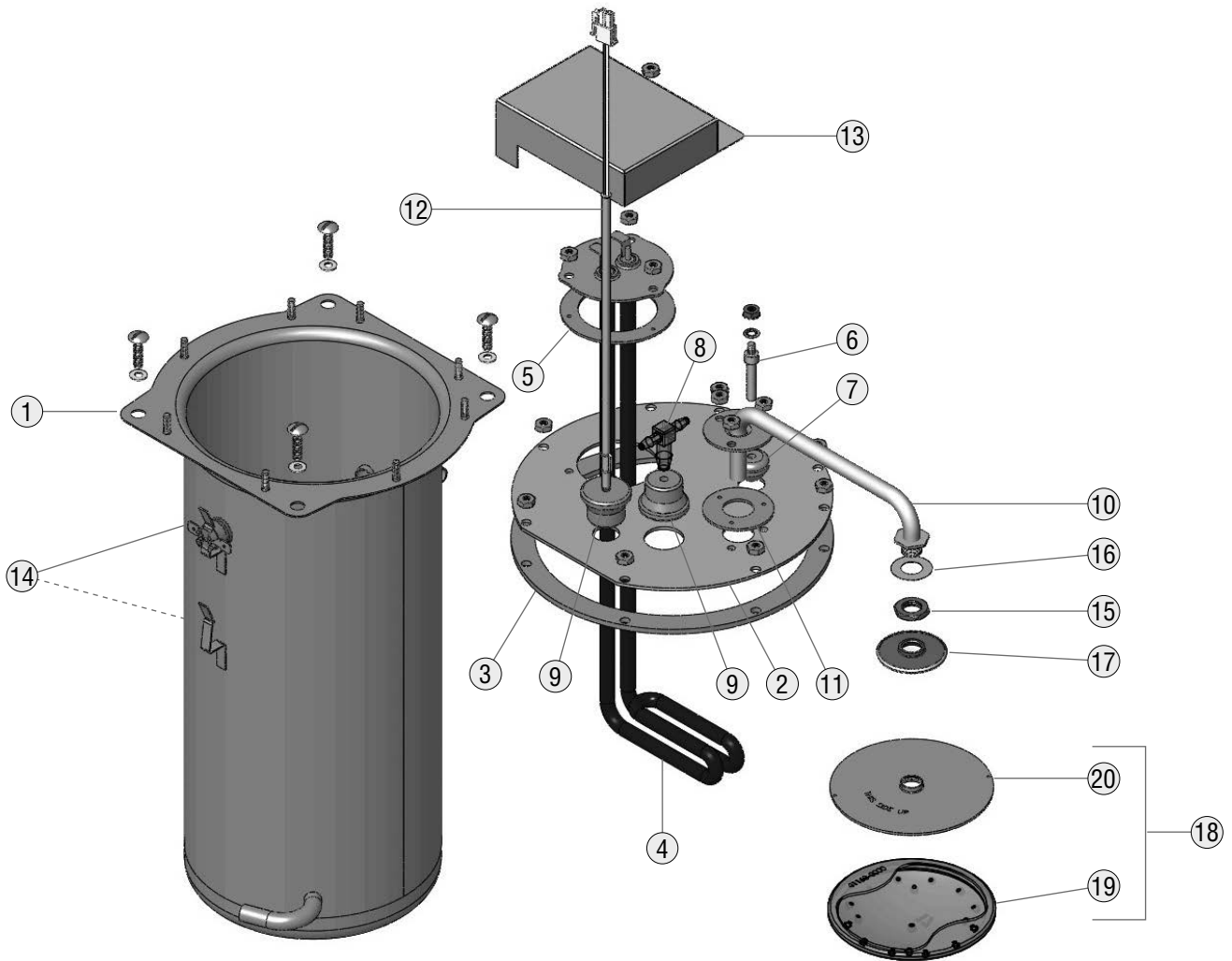


Note
120V/240V
Frame shown

REAR FRAME & INLET - SECOND STYLE

ITEM	PART NO.	QTY.		DESCRIPTION
		DISPLAY	SILVER	
1	-----	1	1	Frame Assy. 120V & 230V Narrow Models (No longer available)
	-----	1	1	Frame Assy. 120V/240V Narrow Models (Illustrated) (No longer available)
	-----	1	1	Frame Assy. 120V Wide Models Only (Not available)
	-----	1	1	Frame Assy. 120V/240V & 230V Wide Models Only (Not available)
	-----	1	1	Frame Assy. 230V (IRAM) Wide Models Only (Not available)
	-----	1	1	Frame Assy. 120V Combo Models Only (Not available)
2	07038.0000	1	1	terminal Block 120V/240V Models Only
	01317.0000	2	2	Screw, Truss Head #8-32 x .5"
3	40739.1000	1	1	Cover, Term. Block Access 120V/240V Models Only (Includes Decal)
	01308.0000	1	1	Screw, Truss Head #6-32 x .25"
4	37881.0000	2	2	Decal, No User Serviceable Parts (1 less used on 120V)
5	00656.0001	1	1	Decal, Comply to Plumbing Code
6	00986.0000	1	1	Decal, Warning-Electrical
7	12422.0006	4	4	Clamp, SNP-8
8	45313.0000	1	1	Connector, Union .375" X .375" - Kynar
9	40693.1000	1	1	Inlet Valve Assy, 120V W/FLO CTL
	40693.1001	1	1	Inlet Valve Assy, 230V W/FLO CTL
	40693.1004	1	1	Inlet Valve Assy, 100V W/FLO CTL
	49084.0000	1	1	Inlet Valve Assy, 120V W/FLO CTL (Combo Tea Brewer Only)
	32283.0000	2	2	Screw, SST SLTD PNH M4 X 6MM
	46884.0000	1	1	Strainer
10	40179.1000	1	1	Cover, Board Access 120V & 230V Models
	40179.1001	1	1	Cover, Board Access 120V/240V Models Only (Illustrated)
	01308.0000	4	4	Screw, Truss Head #6-32 x .25"
11	40763.0001	1	1	Toggle Switch, DPST, Main ON/OFF (120V/240V Only)
12	25102.0000	1	1	Bracket, Switch Guard (120V/240V Only)
13	37804.0000	1	1	Ground Screw #8-32 x .5" (120V/240V Models Only)
14	01590.0000	1	1	Connector, Cord
15	36378.0001	1	1	Valve, Check 2.5 Psi
16	37297.1006	1	1	Elbow
17	41716.1002	1	1	Kit, Tube Assy W/Check Valve & Connector
The Following Items Are Not Illustrated				
18	36381.0005	1	1	Power Cord, 120V
	36381.0006	1	1	Power Cord, 230V

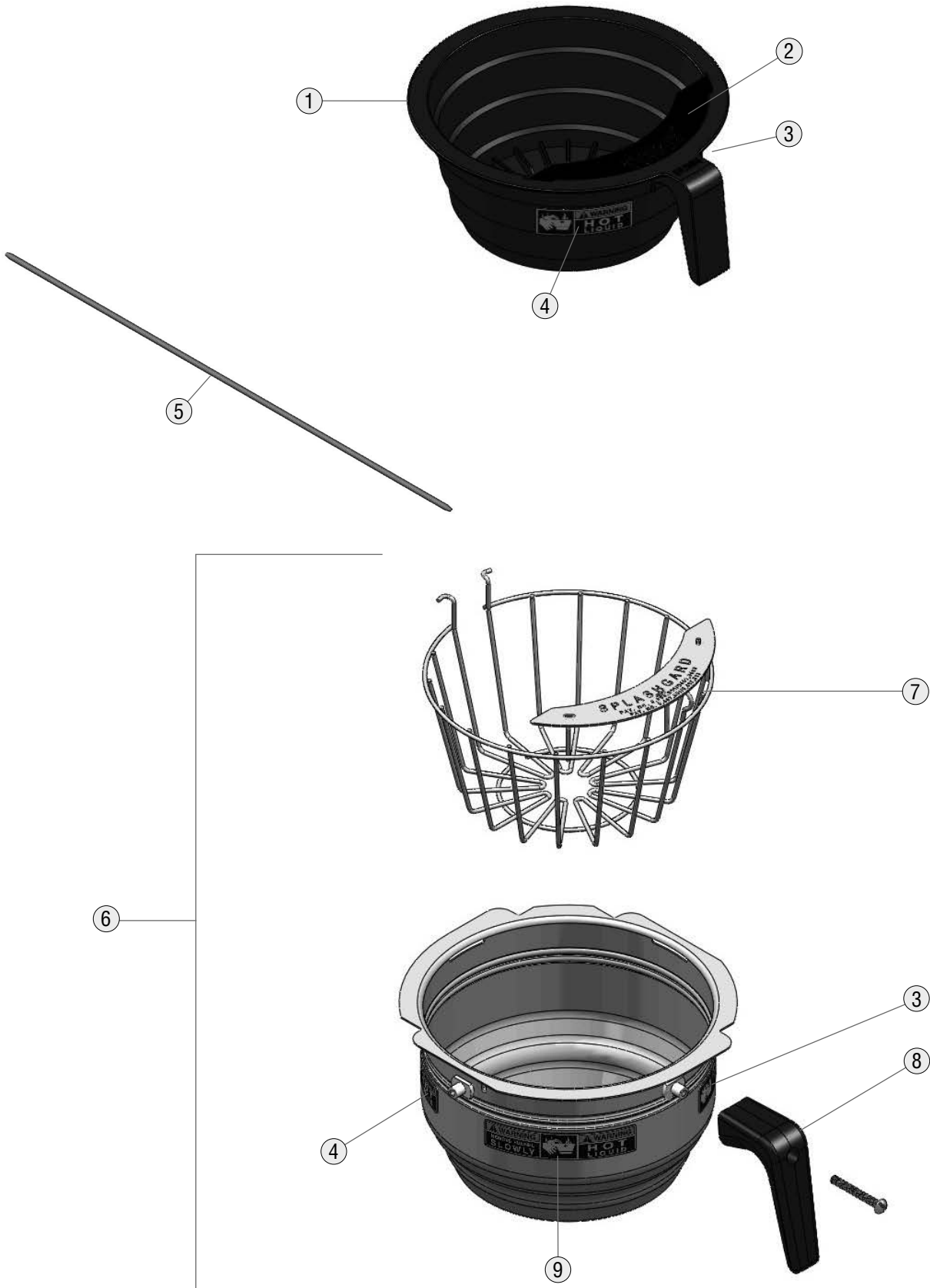
* Indicates the part number listed is for reference only. See DESCRIPTION for possible service replacement.



TANK AND COMPONENTS

ITEM	PART NO.	QTY. DISPLAY	QTY. SILVER	DESCRIPTION	
1	04118.0005	1	1	Tank,	
	01326.0007	4	4	Screw #10-32x.625"	
	01501.0000	4	4	Washer	
2	40141.0001	1	1	Tank Lid,	
	00908.0000	8	8	Nut #8-32	
3	04221.0000	2	1	Gasket, Tank Lid	
4	39294.1000	1	1	Tank Heater 1850W, 230V (Includes Gasket)	
	39294.1001	1	1	Tank Heater 1250W, 100V (Includes Gasket)	
	39294.1002	1	1	Tank Heater 1320W, 120V (Includes Gasket)	
	00908.0000	3	3	Nut #8-32	
5	39590.0000	1	1	Gasket, Tank Heater	
6	40288.1000	1	1	Probe Kit, Liquid Level (Includes Nut & Washer)	
	20203.0100	1	1	Lock Washer	
	00908.0000	3	3	Nut #8-32	
7	33201.0000	1	1	Grommet, Probes	
8	40287.0000	1	1	Tee Fitting	
9	33801.0003	2	2	Grommet, Tee	
10	40160.0000	1	1	Tube Assy., Sprayhead	
	00908.0000	3	3	Nut #8-32	
11	05515.0000	1	1	Gasket, Sprayhead Tube	
12	38855.0001	1	1	Probe, Temperature Sensor	
13	40176.0000	1	1	Cover, Tank Heater	
14	29329.1000	1	1	Thermostat, Limit 120V, 120/240V (Auto Reset)	} Also Included in Main Harness
	37188.0000	2	2	Thermostat, Limit 230V, (One Shot)	
15	01075.0000	1	1	Nut, Sprayhead .438-20	
16	01527.0000	1	1	Washer	
17	01082.0000	1	1	Sprayhead, 6-.078 (Standard)	
18	41160.1000	1	1	Sprayhead Assy, Flexible 17 Hole	
19	41160.0000	1	1	Sprayhead, Flexible 17 Hole	
20	35070.0001	1	1	Sprayhead Back	
The Following Items Are Not Illustrated					
21	40291.1000	1	1	Tank Kit, 1320W, 120V, (Includes 1-5 & 7-11)	
	40291.1001	1	1	Tank Kit, 1850W, 220V, (Includes 1-5 & 7-11)	
	40291.1003	1	1	Tank Kit, 1250W, 100V, (Includes 1-5 & 7-11)	

* Indicates the part number listed is for reference only. See DESCRIPTION for possible service replacement.



FUNNELS

ITEM	PART NO.	QTY. DISPLAY	QTY. SILVER	DESCRIPTION
1	20583.0003	1	1	Funnel Assembly, Coffee (Includes decals & splashgard)
	03021.0016	-	-	Funnel Assembly, Tea (Includes decals & splashgard)
2	32964.0000	1	1	Splashgard
3	03408.0002	1	1	Decal, Warning-Remove Funnel Slowly
4	03409.0002	1	1	Decal, Warning-Hot Liquid
5	01188.0000	1	1	Deliming Spring
6	34559.0000	1	1	Funnel Assembly, Gourmet
7	34546.0000	1	1	Basket
8	20244.1000	1	1	Handle
	01331.0002	1	1	Screw, #10-32x1.5"
9	28694.0000	1	1	Decal, Warning-Remove Funnel Slowly

NUMERICAL INDEX

PART NO.	PAGE NO.	PART NO.	PAGE NO.	PART NO.	PAGE NO.	PART NO.	PAGE NO.
00310.0000.....	11	04221.0000.....	15	37881.0000.....	11	40405.0002.....	5
00402.0001.....	11	05515.0000.....	15	37881.0000.....	13	40405.0003.....	5
00463.0000.....	9	07038.0000.....	11	37881.0002.....	5	40405.0004.....	5
00614.0000.....	7	07038.0000.....	13	37881.0002.....	7	40608.0000.....	5
00656.0001.....	11	12422.0001.....	9	38316.1000.....	5	40693.1000.....	13
00656.0001.....	13	12422.0006.....	11	38855.0001.....	15	40693.1001.....	13
00658.0000.....	7	12422.0006.....	13	39294.1000.....	15	40693.1004.....	13
00824.0002.....	7	12422.0006.....	7	39294.1001.....	15	40739.1000.....	11
00908.0000.....	15	13054.0000.....	7	39294.1002.....	15	40739.1000.....	13
00908.0000.....	15	20203.0100.....	15	39590.0000.....	15	40763.0001.....	11
00908.0000.....	15	20244.1000.....	17	39658.1002.....	7	40763.0001.....	13
00908.0000.....	15	20526.1222.....	11	39658.1003.....	7	41160.0000.....	15
00908.0000.....	5	20583.0003.....	17	39658.1005.....	7	41160.1000.....	15
00970.0000.....	7	22249.0000.....	11	39661.0000.....	5	41691.1000.....	7
00986.0000.....	11	22300.0222.....	11	39661.0001.....	5	41691.1001.....	7
00986.0000.....	13	23721.0000.....	11	39667.0000.....	7	41716.1002.....	13
01075.0000.....	15	25102.0000.....	11	39703.1000.....	7	42878.0000.....	7
01082.0000.....	15	25102.0000.....	13	39955.1000.....	5	44646.0001.....	5
01085.0002.....	11	28479.0000.....	11	39974.0000.....	7	44646.0001.....	7
01085.0005.....	11	28480.0000.....	11	39984.1000.....	5	44865.0000.....	7
01111.0002.....	11	28481.0000.....	11	39984.1001.....	5	45313.0000.....	13
01154.0001.....	11	28526.1000.....	9	40125.0006.....	13	46884.0000.....	13
01155.0000.....	11	28526.1001.....	9	40141.0001.....	15	47304.0000.....	7
01188.0000.....	17	28526.1002.....	9	40152.1000.....	5	49084.0000.....	13
01308.0000.....	11	28526.1003.....	9	40153.1000.....	7	49085.0000.....	5
01308.0000.....	11	28694.0000.....	17	40160.0000.....	15	49086.0000.....	5
01308.0000.....	13	29081.0002.....	7	40167.0001.....	5	49087.0000.....	5
01308.0000.....	13	29264.0000.....	7	40168.0001.....	5	49088.0000.....	5
01308.0000.....	7	29329.1000.....	15	40173.0000.....	5		
01317.0000.....	11	32283.0000.....	13	40173.0001.....	5		
01317.0000.....	13	32964.0000.....	17	40173.0002.....	5		
01326.0007.....	15	33201.0000.....	15	40176.0000.....	15		
01327.0000.....	11	33801.0003.....	15	40179.1000.....	11		
01327.0000.....	11	34546.0000.....	17	40179.1000.....	13		
01331.0002.....	17	34559.0000.....	17	40179.1001.....	11		
01360.0001.....	5	35070.0001.....	15	40179.1001.....	13		
01360.0001.....	5	36378.0001.....	11	40187.0001.....	9		
01501.0000.....	15	36378.0001.....	13	40201.0000.....	5		
01501.0000.....	5	36381.0005.....	11	40202.0000.....	5		
01502.0000.....	11	36381.0005.....	13	40273.0000.....	7		
01527.0000.....	15	36381.0006.....	11	40273.0001.....	7		
01532.0000.....	9	36381.0006.....	13	40287.0000.....	15		
01590.0000.....	11	36630.1000.....	5	40288.1000.....	15		
01590.0000.....	13	36630.1001.....	5	40291.1000.....	15		
02367.0000.....	7	36630.1002.....	5	40291.1001.....	15		
02595.0000.....	7	36631.1000.....	5	40291.1003.....	15		
02766.0000.....	7	36631.1001.....	5	40293.0000.....	7		
02854.0000.....	7	36631.1002.....	5	40298.0000.....	5		
02858.0000.....	7	36671.0003.....	5	40309.0000.....	5		
02861.0003.....	7	36996.0001.....	11	40310.0000.....	5		
03021.0016.....	17	37188.0000.....	15	40343.0000.....	11		
03408.0002.....	17	37297.1006.....	13	40374.0000.....	7		
03409.0002.....	17	37804.0000.....	11	40378.0001.....	5		
04118.0005.....	15	37804.0000.....	13	40405.0001.....	5		