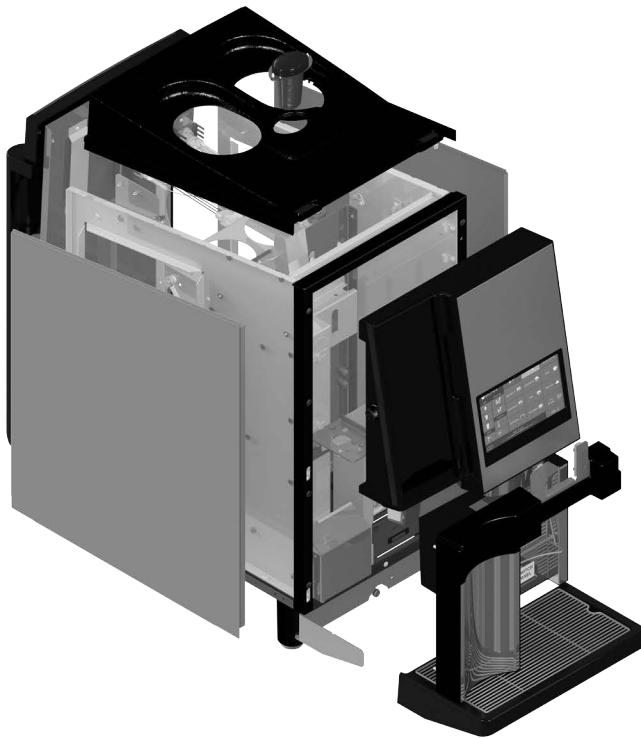
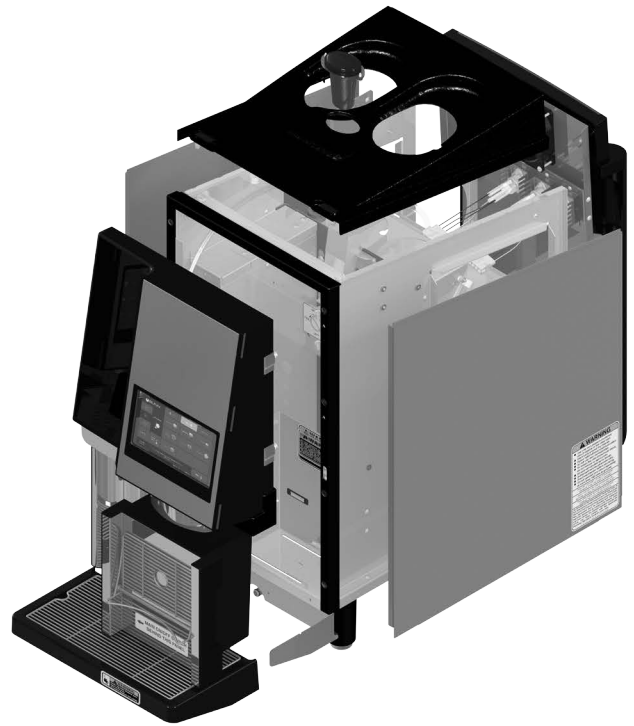




SURE TAMP AUTO SURE TAMP STEAM



AUTO



STEAM

ILLUSTRATED PARTS CATALOG

Designs, materials, weights, specifications, and dimensions for equipment or replacement parts are subject to change without notice.

BUNN-O-MATIC CORPORATION

POST OFFICE BOX 3227

SPRINGFIELD, ILLINOIS 62708-3227

PHONE: (217) 529-6601 FAX: (217) 529-6644



Bunn-O-Matic® COMMERCIAL PRODUCT WARRANTY

Bunn-O-Matic Corp. (“BUNN”) warrants the BUNN Espresso®, Espresso Systems as further described below for a warranty period of 1 year parts and labor.

These warranty periods run from the date of installation. BUNN warrants that the equipment manufactured by it will be commercially free of defects in material and workmanship existing at the time of manufacture and appearing within the applicable warranty period. This warranty does not apply to any equipment, component or part that was not manufactured by BUNN or that, in BUNN’s judgment, has been affected by misuse, neglect, alteration, improper installation or operation, improper maintenance or repair, non periodic cleaning and descaling, equipment failures related to poor water quality, damage or casualty. This warranty is conditioned on the Buyer 1) giving BUNN prompt notice of any claim to be made under this warranty by telephone at (217) 529-6601 or by writing to Post Office Box 3227, Springfield, Illinois 62708-3227; 2) if requested by BUNN, shipping the defective equipment prepaid to an authorized BUNN service location; and 3) receiving prior authorization from BUNN that the defective equipment is under warranty. Additionally, the following is excluded from the warranty period:

Warranty Exclusions:

- Parts such as, but not limited to, hoppers and lids, drip trays, steam wand sheaths, and plastic parts damaged due to improper handling or cleaning agents.
- Replacement of wear items such as, but not limited to, O-rings, gaskets, silicone tubes, hoses, and valve seats.
- Repairs made necessary due to poor water quality such as dispense valves, water inlet valves, scaling in the steam or hot water boilers. (Total Hardness recommended range of 4-7 gpg constant).
- Improper voltage. (See equipment operations manual for voltage specifications).
- Failure to use BUNN approved cleaning supplies constitutes improper maintenance.
- Failure to have required preventive maintenance performed by BUNN technician or authorized espresso service provider.
- Parts replaced under the terms of this warranty carry the remainder on the machine’s parts warranty term, or 60 days, whichever is greater.

THE FOREGOING WARRANTY IS EXCLUSIVE AND IS IN LIEU OF ANY OTHER WARRANTY, WRITTEN OR ORAL, EXPRESS OR IMPLIED, INCLUDING, BUT NOT LIMITED TO, ANY IMPLIED WARRANTY OF EITHER MERCHANTABILITY OR FITNESS FOR A PARTICULAR PURPOSE. The agents, dealers or employees of BUNN are not authorized to make modifications to this warranty or to make additional warranties that are binding on BUNN. Accordingly, statements by such individuals, whether oral or written, do not constitute warranties and should not be relied upon. If BUNN determines in its sole discretion that the equipment does not conform to the warranty, BUNN, at its exclusive option while the equipment is under warranty, shall either 1) provide at no charge replacement parts and/or labor (during the applicable parts and labor warranty periods specified above) to repair the defective components, provided that this repair is done by a BUNN Authorized Service Representative; or 2) shall replace the equipment or refund the purchase price for the equipment.

THE BUYER’S REMEDY AGAINST BUNN FOR THE BREACH OF ANY OBLIGATION ARISING OUT OF THE SALE OF THIS EQUIPMENT, WHETHER DERIVED FROM WARRANTY OR OTHERWISE, SHALL BE LIMITED, AT BUNN’S SOLE OPTION AS SPECIFIED HEREIN, TO REPAIR, REPLACEMENT OR REFUND. In no event shall BUNN be liable for any other damage or loss, including, but not limited to, lost profits, lost sales, loss of use of equipment, claims of Buyer’s customers, cost of capital, cost of down time, cost of substitute equipment, facilities or services, or any other special, incidental or consequential damages.

392, A Partner You Can Count On, Air Infusion, AutoPOD, AXIOM, BrewLOGIC, BrewMETER, Brew Better Not Bitter, BrewWISE, BrewWIZARD, BUNN Espresso, BUNN Family Gourmet, BUNN Gourmet, BUNN Pour-O-Matic, BUNN, BUNN with the stylized red line, BUNNlink, Bunn-O-Matic, Bunn-O-Matic, BUNNserve, BUNNSERVE with the stylized wrench design, Cool Froth, DBC, Dr. Brew stylized Dr. design, Dual, Easy Pour, EasyClear, EasyGard, FlavorGard, Gourmet Ice, Gourmet Juice, High Intensity, iMIX, Infusion Series, Intellisteam, My Café, Phase Brew, PowerLogic, Quality Beverage Equipment Worldwide, Respect Earth, Respect Earth with the stylized leaf and coffee cherry design, Safety-Fresh, savemycoffee.com, Scale-Pro, Silver Series, Single, Smart Funnel, Smart Hopper, SmartWAVE, Soft Heat, SplashGard, The Mark of Quality in Beverage Equipment Worldwide, ThermoFresh, Titan, trifacta, TRIFECTA (stylized logo), Velocity Brew, Air Brew, Beverage Bar Creator, Beverage Profit Calculator, Brew better, not bitter., Build-A-Drink, BUNNSource, Coffee At Its Best, Cyclonic Heating System, Daypart, Digital Brewer Control, Element, Milk Texturing Fusion, Nothing Brews Like a BUNN, Picture Prompted Cleaning, Pouring Profits, Signature Series, Sure Tamp, Tea At Its Best, The Horizontal Red Line, Ultra are either trademarks or registered trademarks of Bunn-O-Matic Corporation. The commercial trifacta® brewer housing configuration is a trademark of Bunn-O-Matic Corporation.

TABLE OF CONTENTS

Housings and Covers	4
Steam Wand - Early Style	8
Steam Wand - Later Style	10
Hoppers	12
Grinder Section	14
Brew Module	16
Boiler Section - Early Style	18
Boiler Section - Later Style	24
Brew/Bypass and Steam Line Assemblies (Auto)	30
Brew/Bypass Assemblies (Steam)	34
Dispense Section	36
Water Pump (Early Version)	38
Water Pump (Made After 4/24/17)	40
Milk Module	42
Milk Manifold - Auto Only	46
Drain Assemblies	48
Electrical	50
 Components for Models 43400.02## (Built after 05/22/17)	
Boiler Section	56
Solenoid Valves	60
Transducers	62
Water Pump	64
Milk Module	66
Numerical Index	70

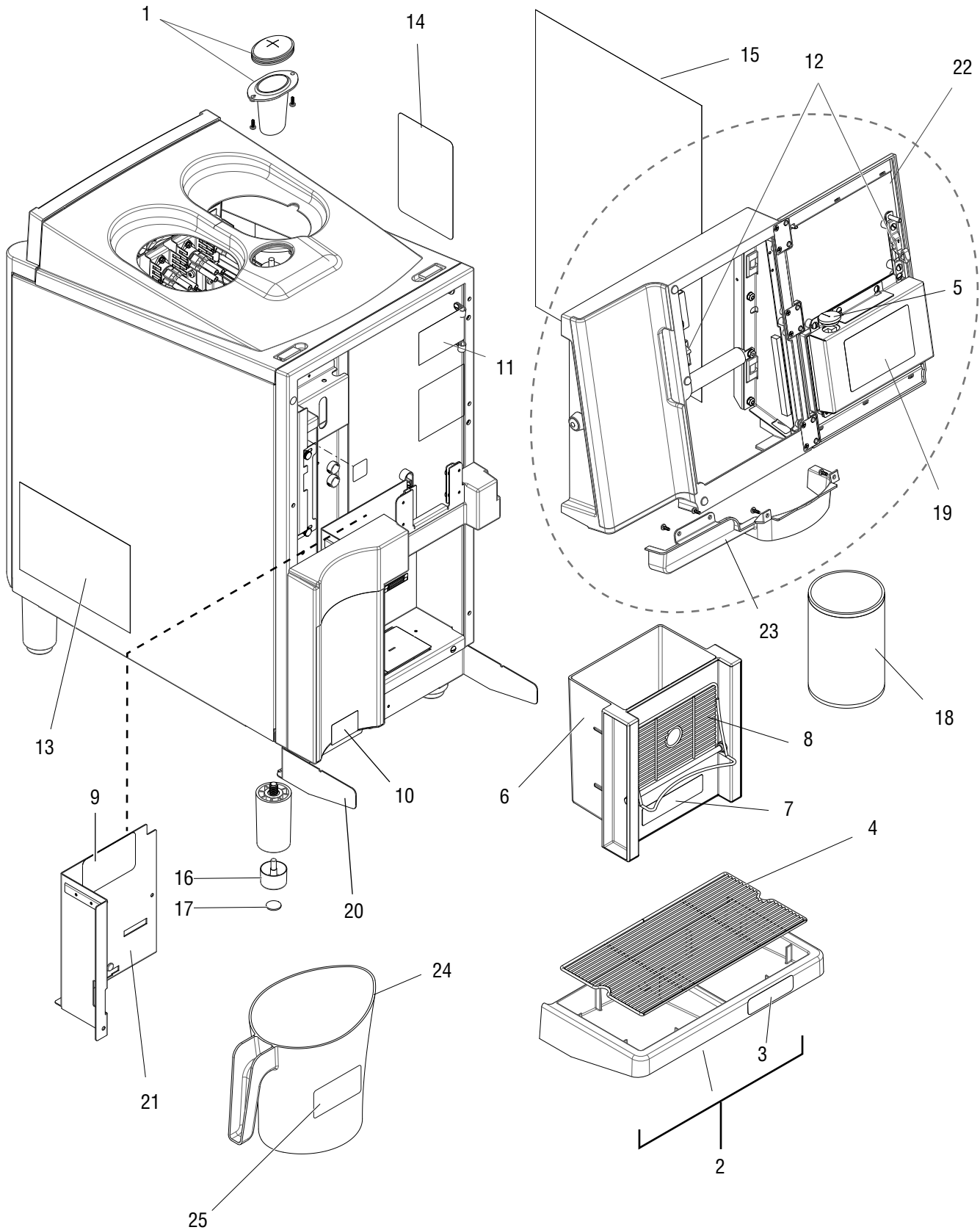
P.M. KITS:

	AUTO	STEAM
9 Months	51792.0000	51791.0000
9 Month w/water filter	52032.0000	51399.0000
21 Months	52794.0005	52794.0006
27 Months	52794.0007	52794.0008
33 Months	52794.0002	52794.0004



HOUSING AND COVERS

**Sure
Tamp**



HOUSING AND COVERS

ITEM	PART NO.	QTY.	DESCRIPTION
1	48370.0001	1	Chute Assembly, Tablet (Includes plug)
	45551.0000	1	Plug (Cover)
2	45549.1003	1	Drip Tray (Includes Decal) Later Style shown
	45549.1002	1	Drip Tray (Includes Decal & Hose) Early Style
3	47075.0000	1	Decal, Warning Center Cup
4	52603.0000	1	Grate, Drip Tray Later Style shown
	49512.0000	1	Grate, Drip Tray Early Style
5	07073.0001	1	Grommet
6	51529.1000	1	Kit, Thru Counter Puck Bin (Includes template & instructions) (Early models only)
	47033.1008	1	Kit, Puck Bin (Includes decal & grate) (Later models with flip tray)
	47033.1011	1	Kit, Thru Counter Puck Bin (Includes template & instructions) (Later models only)
	47033.1108	1	Retrofit Kit, Puck Bin (Includes decal & grate) (Later models with flip tray)
	47033.1111	1	Retrofit Kit, Thru Counter Puck Bin (Includes decal & grate) (Later models only)
	47033.1113	1	Retrofit Kit, Puck Bin (Includes Spanish decal & grate) (Later models with flip tray)
7	47074.0000	1	Decal, Main Switch, English
	47074.8000	1	Decal, Main Switch, Spanish
8	49511.0001	1	Grate (Early models only with sliding tray)
	51637.0002	1	Grate (Late Models only with flip tray)
9	37881.0000	1	Decal, Warning No Serviceable Parts
10	47622.0000	1	Decal, Warning Steam
11	47582.0000	1	Decal, Grinder Adjust
12	48245.0000	1	Kit, Latch (Includes catch & keeper)
	01382.0007	2	Screw, TRH SLTD BLK 6-32 x .375"
	02328.0003	2	Screw, PNH SLTD SST 6-32 x .312"
13	25151.0000	1	Shield, Mylar
14	47077.0000	1	Decal, Warning Electrical
15	47127.0000	1	Schematic
16	00754.0001	4	Foot
17	03993.0000	4	Pad
18	48236.1001	1	Kit, Cleaning Tube
19	50052.0000	1	Decal, Hot Line

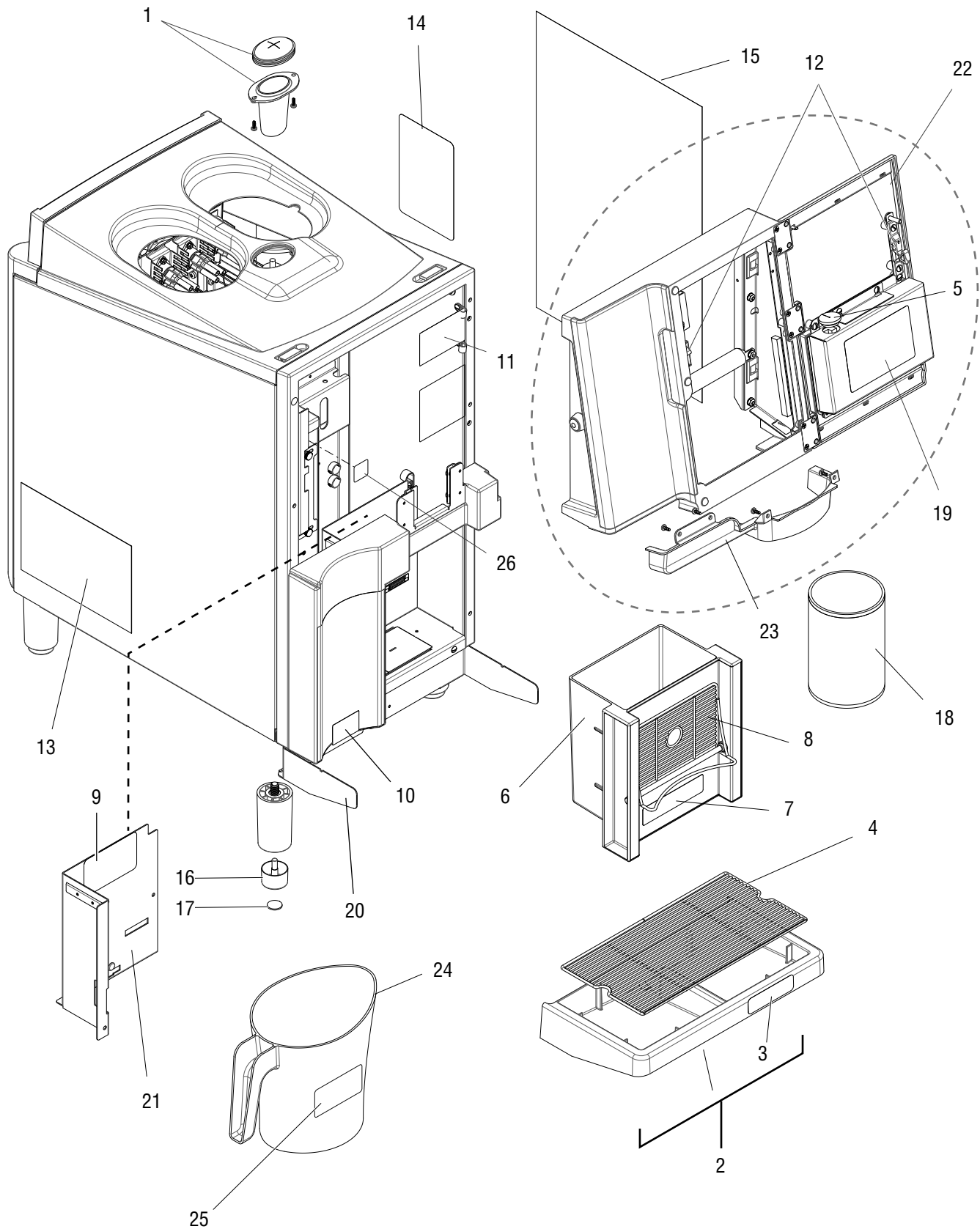
NOTE: New style puck bin with flip tray requires new style shield (21) 46461.1004. This shield is included in retrofit kits.

CONTINUED



HOUSING AND COVERS

**Sure
Tamp**



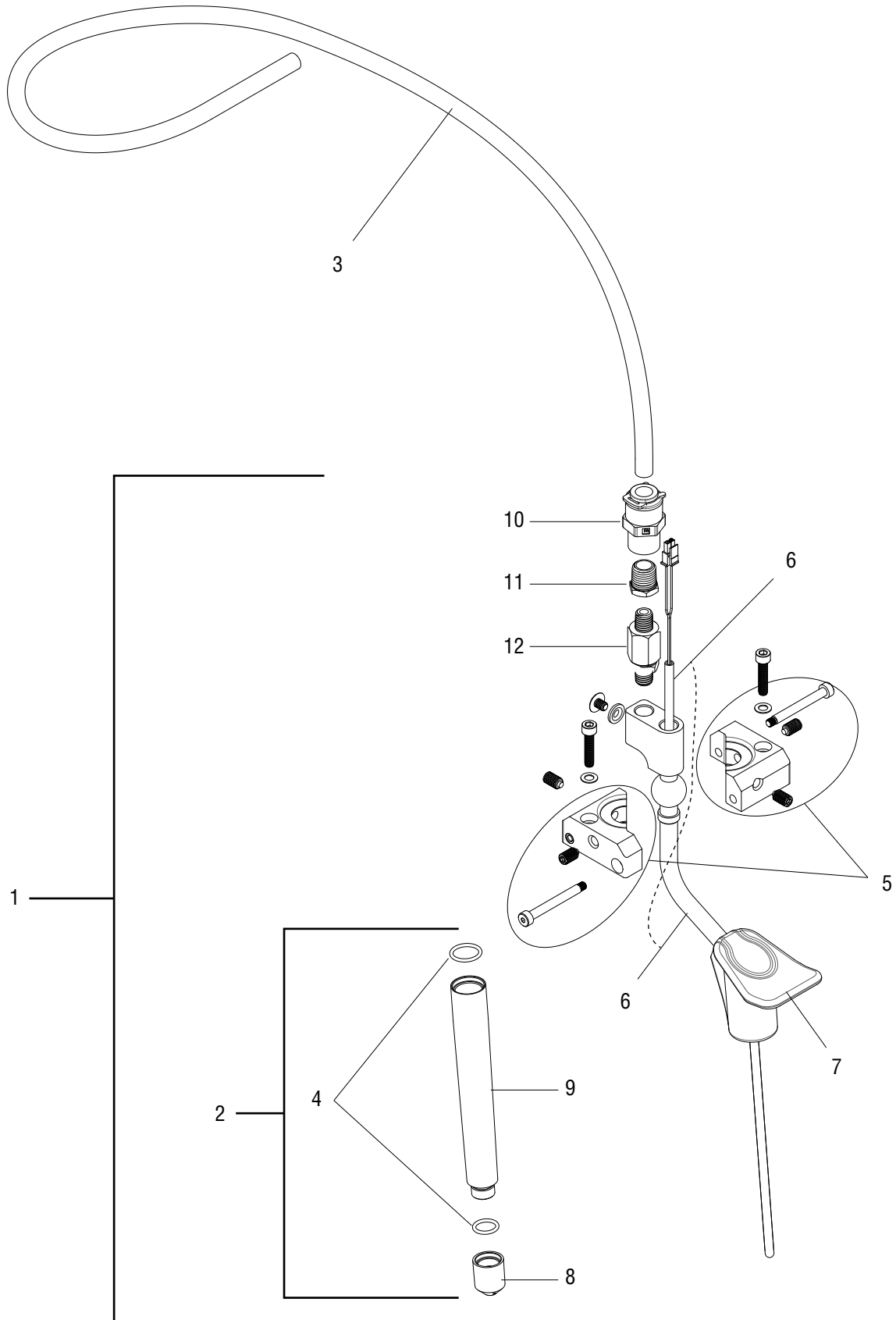
HOUSING AND COVERS

20	51549.1000	1	Kit, Drip Tray Bracket (shown) Later Style only
21	46461.1004	1	Kit, Puck Bin Shield (New style shown w/magnets required for flip tray style bin)
22	44291.1001	1	Kit, Operator Door (Includes # 23) (Does not include # 19)
23	45542.0008	1	Bezel, Chrome
	45542.0004	1	Bezel, Black (Latin America Only)
	38044.0000	4	Screw, PNH #6 x .375
24	50202.1000	1	Pitcher
25	49685.0001	1	Decal, Cleaning/Sanitizing
26	54236.0000	1	Decal, Warning Electric Shock



STEAM WAND - EARLY STYLE

**Sure
Tamp**



STEAM WAND - EARLY STYLE

ITEM	PART NO.	QTY.	DESCRIPTION
1	46435.1000	1	Kit, Steam Wand Assembly
2	49593.0000	1	Kit, Steam Wand Tube and End Cap
3		1	Tubing, 34 Inches (Order # 13)
4	48711.0000	-	Kit, O-Rings
5	53382.0000	1	Kit, Steam Wand Mount
6	49009.0000	1	Neck & NTC (Thermistor) Assembly
7	47353.0000	1	Clip, Steam Wand
8	45851.0000	1	End Cap
9	46427.0000	1	Insulator Tube
10	48434.0000	1	Fitting
11	48435.0000	1	Fitting
12	40071.0004	1	Check Valve

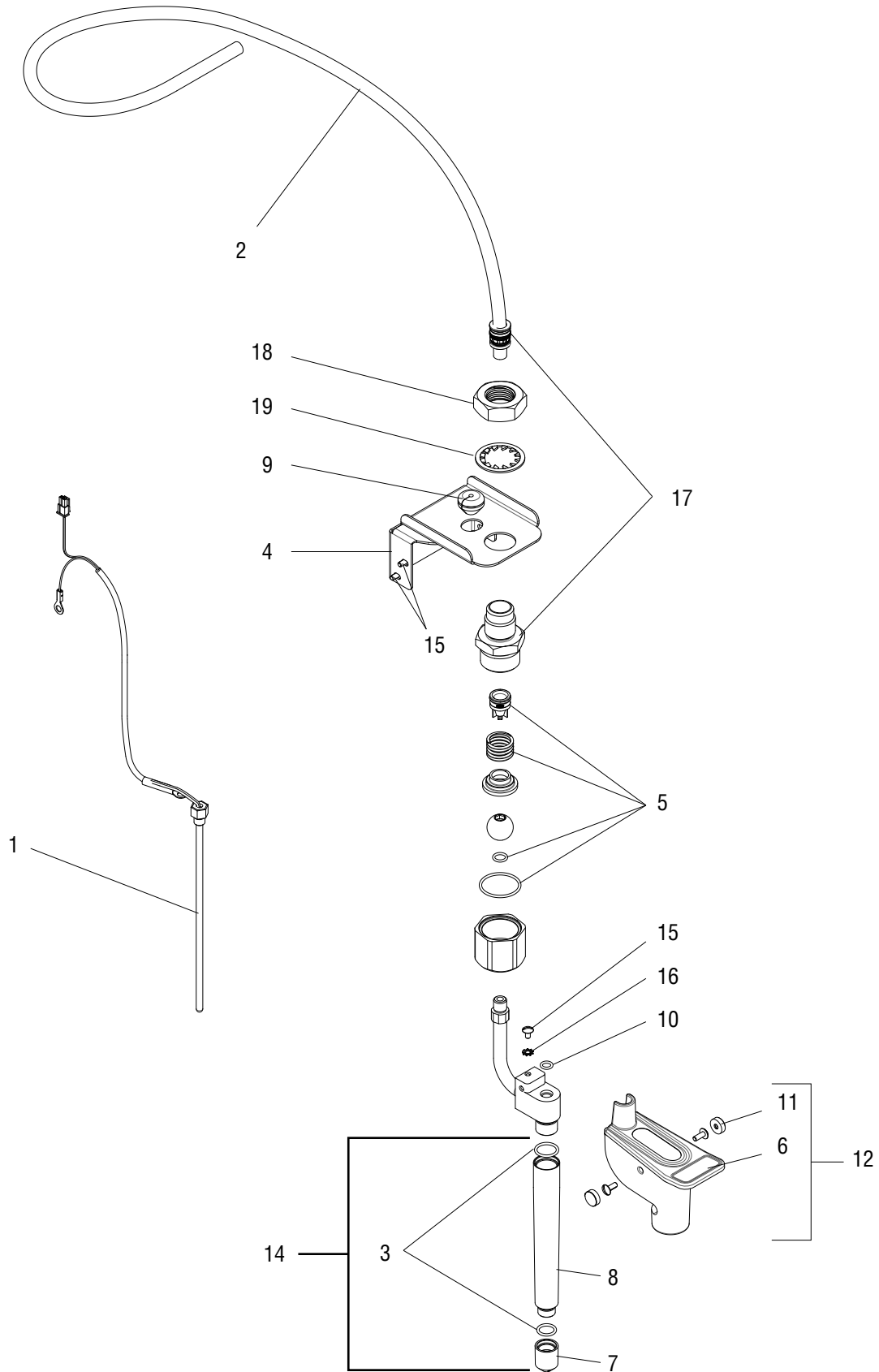
The following items are not illustrated

13	48080.1001	-	Tubing, 3 Feet
	48080.1002	-	Tubing, 10 Feet
14	44023.0001	-	Lube, Silicon



STEAM WAND - LATER STYLE

**Sure
Tamp**



STEAM WAND - LATER STYLE

ITEM	PART NO.	QTY.	DESCRIPTION
1	52506.1000	1	Kit, Steam Wand NTC Probe Assembly (Includes # 9 & 10)
2		1	Tubing, 38 Inches (Order # 13)
3	48711.0000	-	Kit, O-Rings
4	52542.0000	1	Bracket
5	51357.1000	1	Kit, Check Valve
6	50921.0001	1	Handle, Steam Wand
7	45851.0000	1	End Cap
8	46427.0000	1	Insulator Tube
9	33201.0001	1	Grommet
10	51883.0000	1	O-Ring
11	52482.0000	2	Cap
	01382.0007	2	Screw, TRH SLTD BLK 6-32 x .375
12	50921.1000	1	Kit, Steam Wand Handle (Includes screws & caps)
13	46427.0000	1	Insulator Tube
14	49593.0000	1	Kit, Steam Wand Tube and End Cap
15	01308.0002	4	Screw, TRH SLTD SST 6-32 x .25
16	01510.0000	1	Lock Washer
17	50551.1000	1	Kit, Steam Wand Fittings
18	52483.0000	1	Nut, SST 7/8 - 14
19	52484.0000	1	Lock Washer

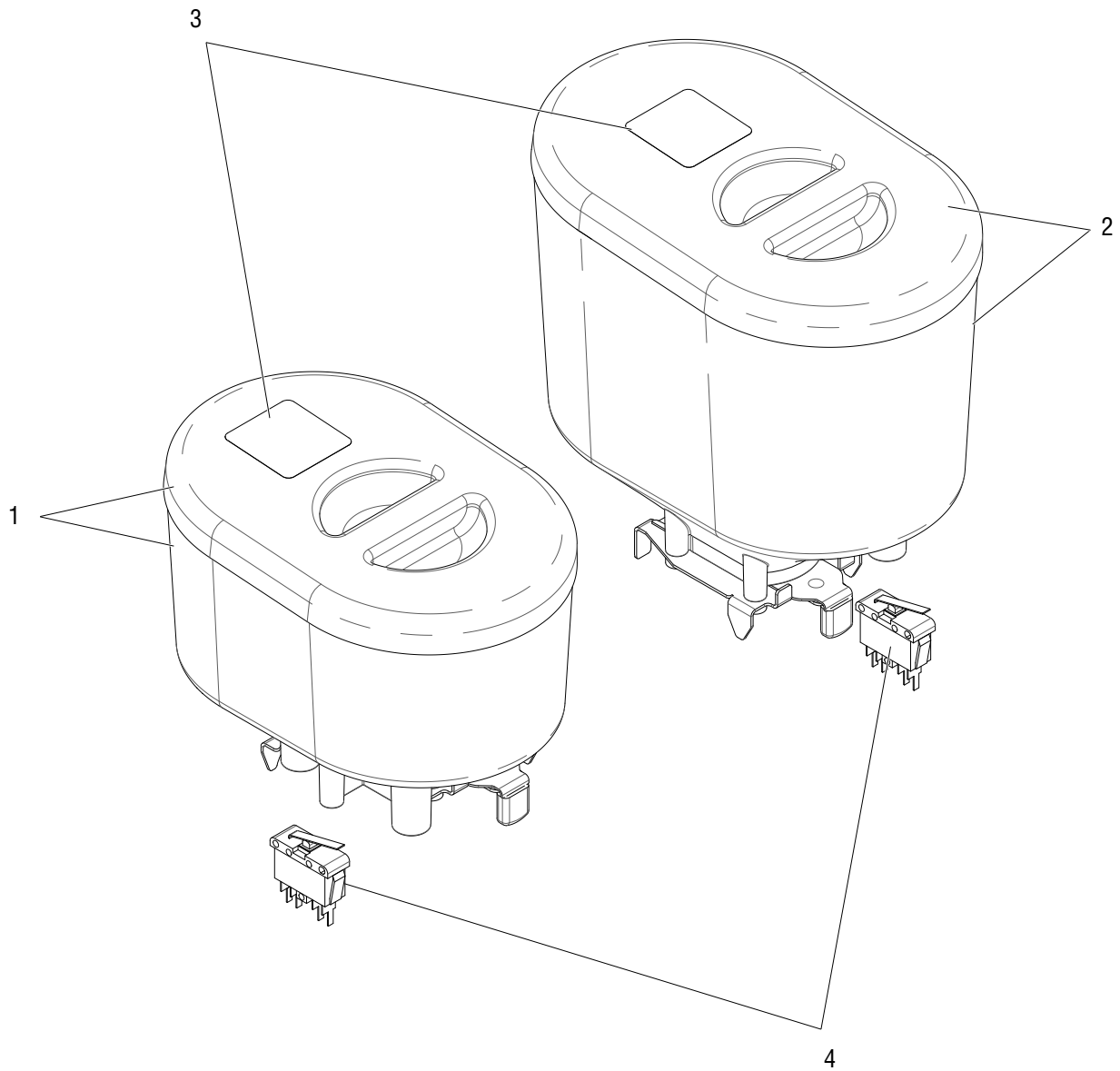
The following items are not illustrated

20	48080.1000	-	Tubing, 1 Foot
	48080.1001	-	Tubing, 3 Feet
	48080.1002	-	Tubing, 10 Feet
21	44023.0001	-	Lube, Silicon
22	52514.1000	1	Kit, Steam Wand Retrofit



HOPPERS

**Sure
Tamp**



HOPPERS

ITEM	PART NO.	QTY.	DESCRIPTION
1	46254.1000	1	Hopper Assembly, Small
2	46255.1000	1	Hopper Assembly, Large
3	52001.0000	1	Decal, Caution Personal Injury (English)
	52001.8000	1	Decal, Caution Personal Injury (Spanish)
4	46534.0001	2	Switch

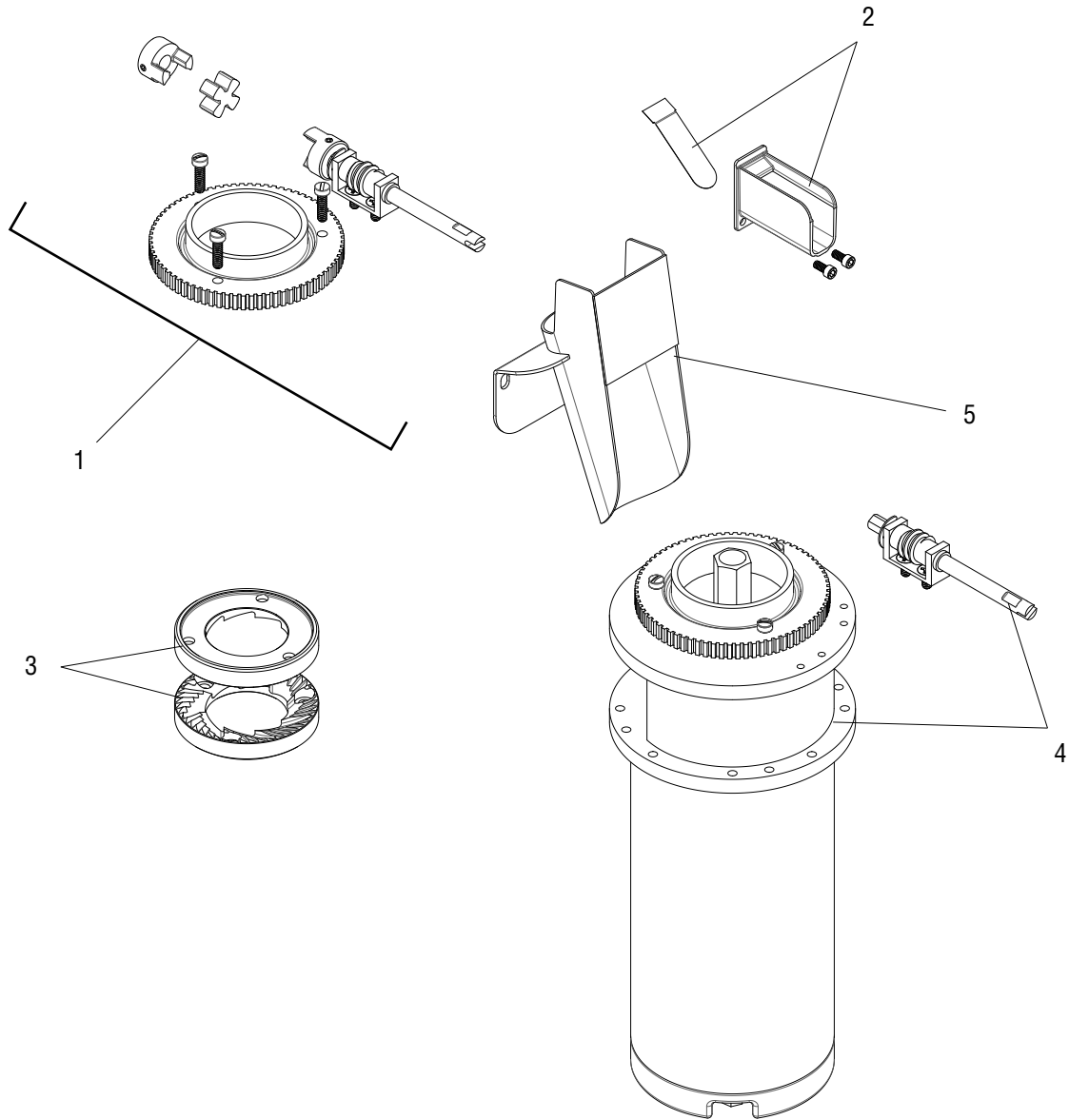
The following items are not illustrated

5	46254.1003	-	Hopper Extension Kit - Small
6	46255.1003	-	Hopper Extension Kit - Large



GRINDER SECTION

**Sure
Tamp**



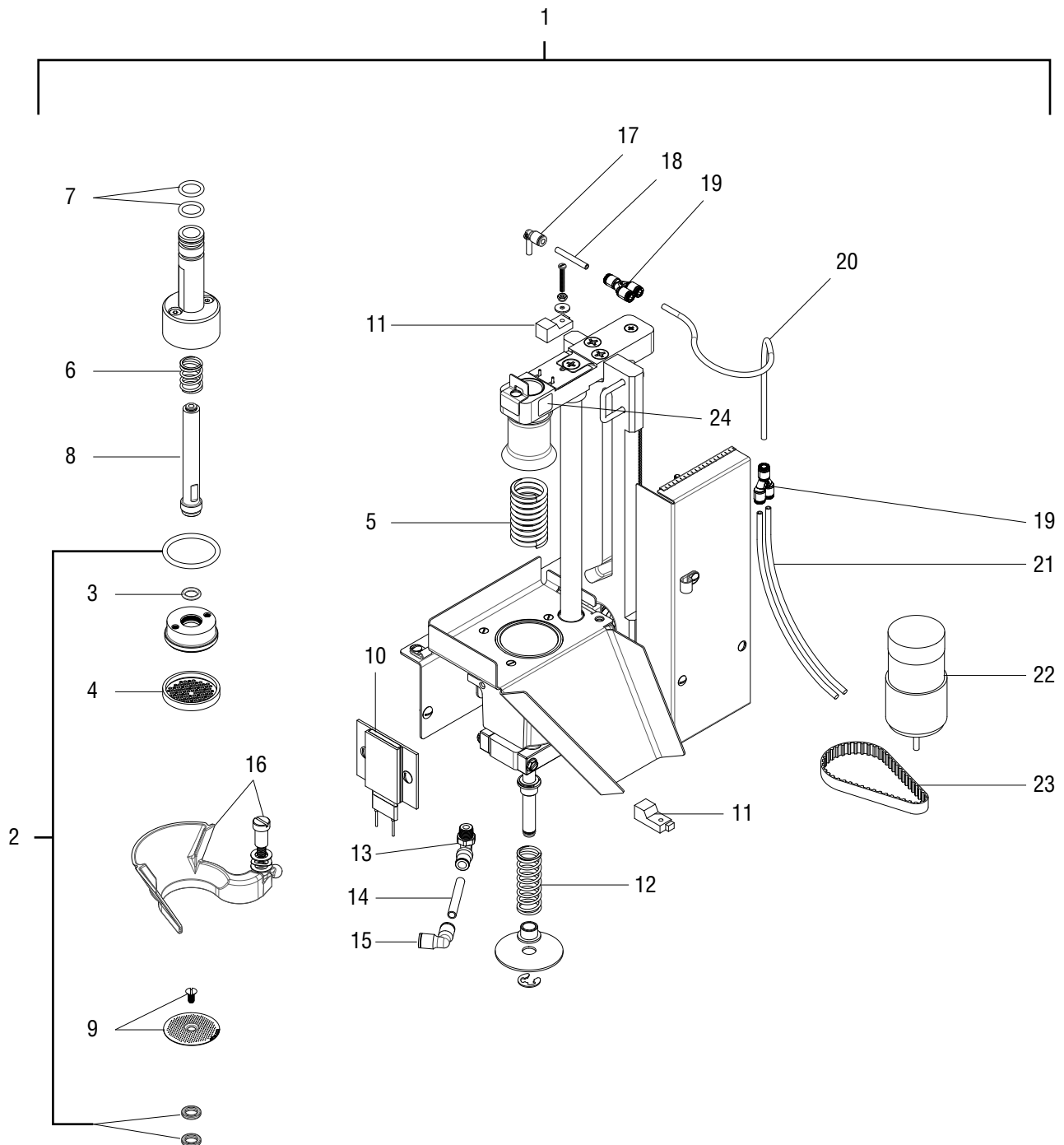
GRINDER SECTION

ITEM	PART NO.	QTY.	DESCRIPTION
1	48712.0001	1	Kit, Grinder Adjust
2	48717.0000	1	Kit, Espresso Dechaffer Assembly
3	48791.1000	1	Kit, Grinder Burrs
4	49226.0002	1	Grinder Assembly, w/connector & EMI Filter
5	46181.0003	1	Chute, Grounds
	01308.0002	2	Screws



BREW MODULE

Sure Tamp



BREW MODULE

ITEM	PART NO.	QTY.	DESCRIPTION
1	44207.1003	1	Kit, Brew Module Assembly
2	48249.0000	1	Kit, Brew Module O-rings (Includes large o-ring & 2 quad seals)
3	48233.0000	1	O-ring
4	44667.0000	1	Screen
5	44761.0000	1	Spring
6	44749.0000	1	Spring
7	48895.0000	2	O-ring
8	49016.1000	1	Kit, Tube Upper Piston
9	43966.1002	1	Kit, Photo Etch Shower Screen
10	46030.0001	1	Element Assembly, PTC
11	48985.0000	2	Sensor Assembly, Proximity
12	44694.0000	1	Spring
13	48913.0000	1	Fitting, Elbow
14	46556.1012	1	Tubing 1.75"
15	50069.0000	1	Fitting, Elbow
16	43516.1004	1	Kit, Swiper
17	47564.0000	1	Fitting, Elbow
18		1	Tubing 1.25" (Order # 25)
19	47565.0000	2	Divider, 2 Way
20		1	Tubing 10.5" (Order # 25)
21		2	Tubing 3.0" (Order # 25)
22	44690.0001	1	Motor Assembly
23	44298.0001	1	Belt
24	54237.0000	1	Decal, Warning Pinch

The Following Items Are Not Illustrated

25	47021.1000	-	Tubing, 1 Foot
	47021.1001	-	Tubing, 3 Feet
	47021.1000	-	Tubing, 10 Feet
26	44023.0001	-	Lube, 1 oz Tube (Used for o-rings)
27	53402.0000	-	Lubriplate 1.75 oz (Used for spindle)

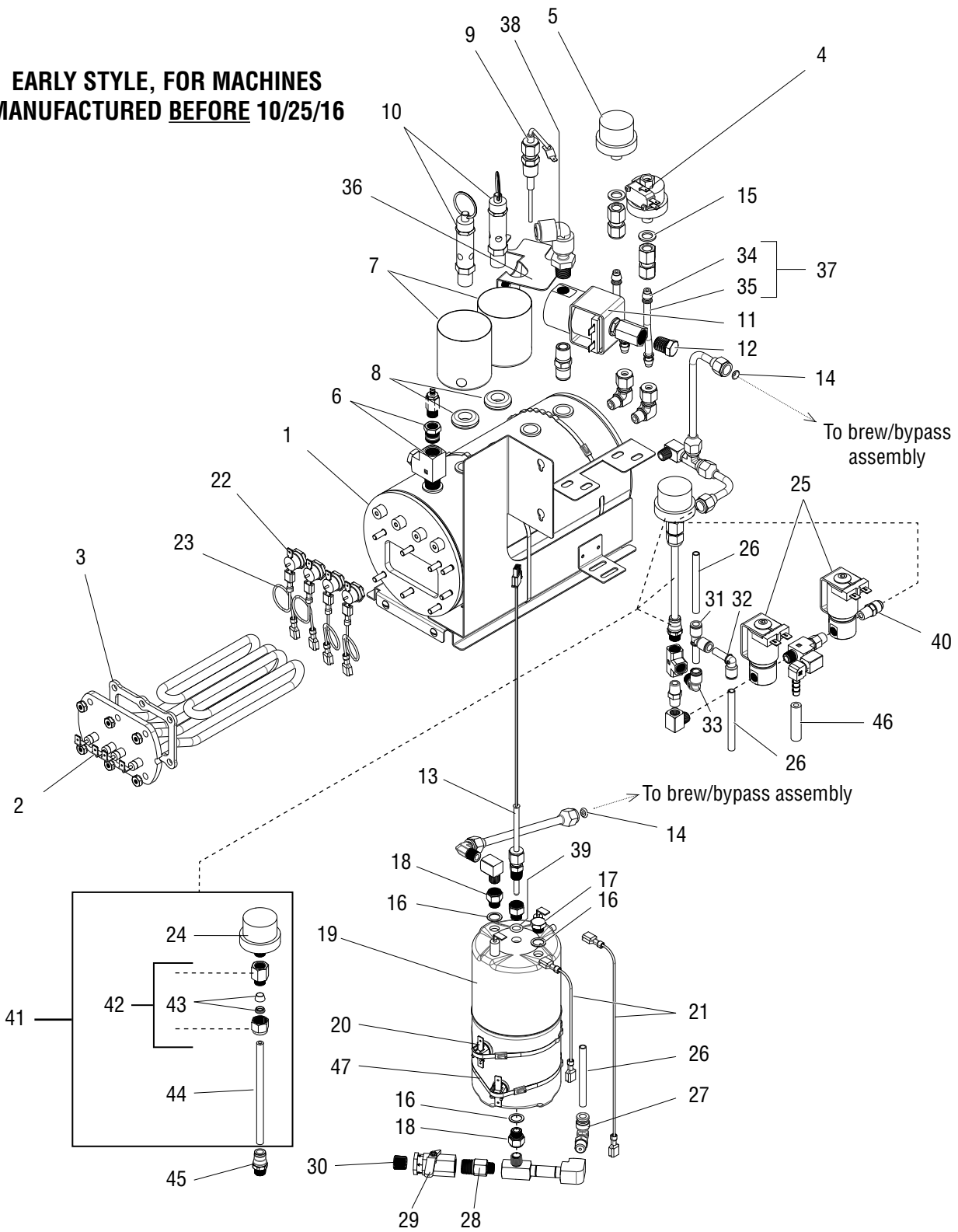


BOILER SECTION - EARLY STYLE

Sure Tamp

43400.01## SERIES

**EARLY STYLE, FOR MACHINES
MANUFACTURED BEFORE 10/25/16**



BOILER SECTION - EARLY STYLE

ITEM	PART NO.	QTY.	DESCRIPTION
1	43960.0002	1	Kit, Boiler Tank
2	46249.1001	1	Kit, Heater Assembly 3000W 208VAC w/Gasket
3	51340.0001	1	Gasket, Boiler Heater
4	46531.0000	1	Switch, Pressure
5	46104.1000	1	Kit, Transducer 0-3 Bar
6	50761.1001	1	Kit, Vacuum Breaker Valve w/Reducer (includes Tee & tubes) Also see Auto plumbing
7	46069.0003	2	Cup, Overflow
8	46552.0001	2	Grommet
9	46033.1000	1	Liquid Level Probe
10	46008.0000	2	Safety Valve
11	51908.0000	1	Solenoid, 24VDC 3-Way
	48163.0000	1	Repair Kit (plunger & seal)
12	48745.0000	1	Plug
13	12568.1006	1	Temperature Probe
14	24684.0000	6	Gasket, Copper
15	47682.0000	2	Gasket, Copper
16	49435.0000	3	Gasket, Copper
17	49438.0000	1	Plug
18	49435.0000	3	Fitting, Reducer
19	46005.0000	1	Kit, Coffee Boiler
20	48803.0000	2	Kit, Limit Thermostat, Auto Reset
21	21016.0316	1	Lead, Blue 9"
	21016.0317	1	Lead, Red 8"
22	46532.1000	4	Kit, Limit Thermostat, Manual Reset (w/Leads)
23	21003.0419	2	Lead 18AWG Red 3.0"
	21005.0990	1	Lead 18AWG Brn/Blk 3.0"
	21005.0991	1	Lead 18AWG Brn/Whi 3.0"
24	46103.1000	1	Kit, Transducer 0-10 Bar
	52888.0000	1	Kit, Transducer Retrofit (to raise transducer higher up)(includes transducer, tube & fittings)

CONTINUED

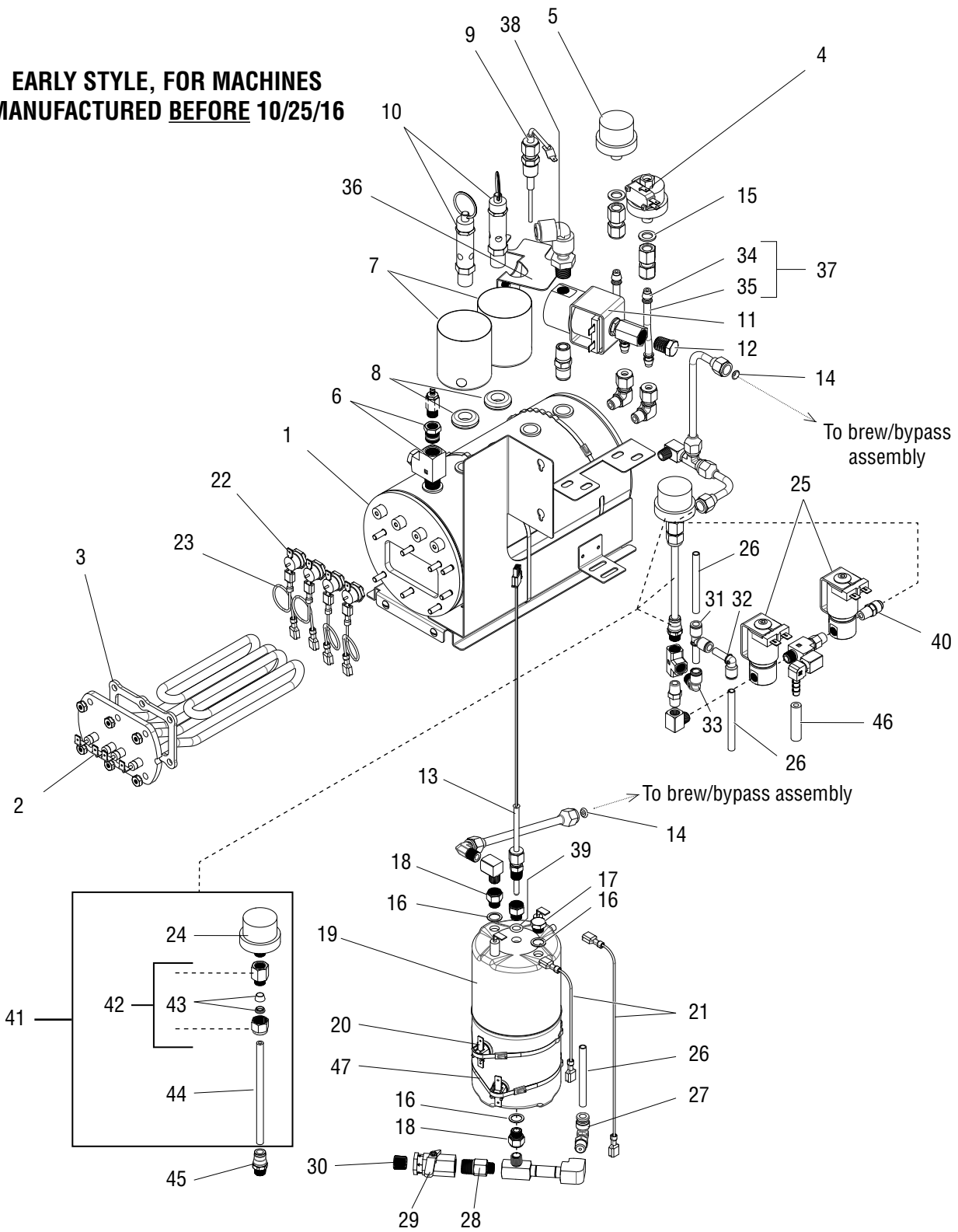


BOILER SECTION - EARLY STYLE

Sure Tamp

43400.01## SERIES

**EARLY STYLE, FOR MACHINES
MANUFACTURED BEFORE 10/25/16**



BOILER SECTION - EARLY STYLE

ITEM	PART NO.	QTY.	DESCRIPTION
25	53121.1000 48067.0000	2 -	Solenoid, 2-Way 3/32 Orifice 24VDC (Turn coil direction as needed) Repair Kit (plunger & seal)
26		3	Tubing 2.62" (Order # 51)
27	46546.0000	1	Elbow, Push to Connect
28	44939.0000	1	Fitting, Reducer
29	33113.0000	1	Ball Valve
30	22112.0000	1	Plug
31	47365.0000	1	Tee, Push to Connect
32	46059.0000	1	Elbow, Push to Connect
33	46062.0000	1	Elbow, Push to Connect
34	51042.0000	4	Sleeve (ferrule)
35	46556.1008	2	Tubing, 3.5"
36	52022.0000 51899.1000	1 1	Kit, Steam Valve Bracket Kit, Mounting Screw
37	52024.0000	1	Kit, FEP Tube & Sleeve (Includes items 34 & 35)
38	53193.0000	1	Elbow Assembly
39	51739.0000	1	O-Ring
40	48269.0000	1	Fitting
41	52888.0000	1	Retrofit Kit, Transducer
42	52880.0000	1	Fitting
43	52886.0000	1	Ferrule Set
44		1	Tubing 4.5" (Order # 50)
45	46063.0000	1	Fitting
46		1	Tubing 1.5" (Order # 52)
47	37061.0000	2	Tie

CONTINUED

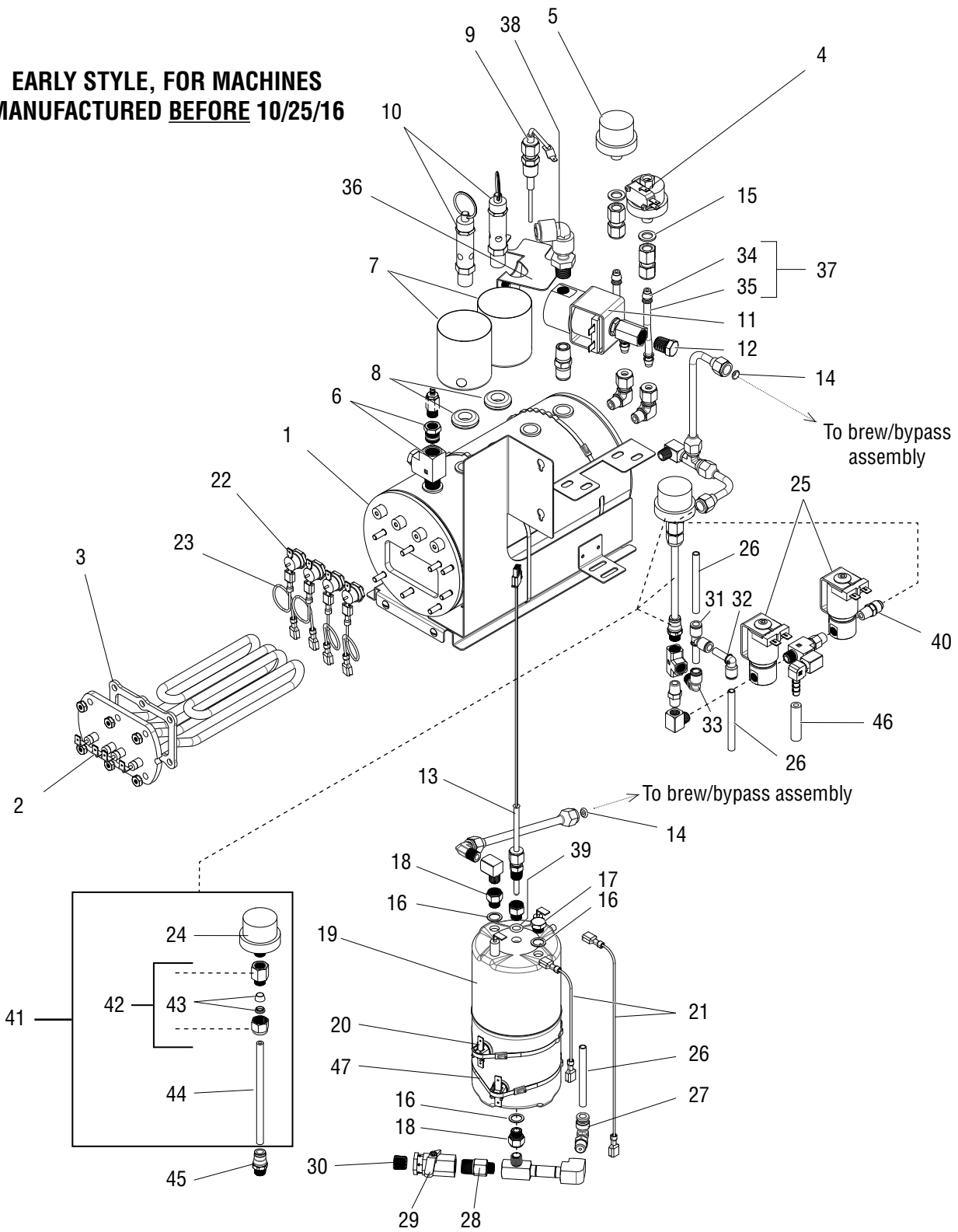


BOILER SECTION - EARLY STYLE

Sure Tamp

43400.01## SERIES

**EARLY STYLE, FOR MACHINES
MANUFACTURED BEFORE 10/25/16**



BOILER SECTION - EARLY STYLE

ITEM	PART NO.	QTY.	DESCRIPTION
The Following Items Are Not Illustrated			
48	46524.1003	1	Kit, Steam Boiler
	46738.1002	1	Kit, Auto Boiler
49	53160.0000	1	Kit, Upgrade Auto
	53161.0000	1	Kit, Upgrade Steam
50	46556.1000	-	Tubing, 1 Foot
	46556.1001	-	Tubing, 3 Foot
	46556.1002	-	Tubing, 10 Feet
51	46581.1000	-	Tubing, 1 Foot
	46581.1001	-	Tubing, 3 Feet
	46581.1002	-	Tubing, 10 Feet
52	42916.1000	-	Tubing, 1 Foot
	42916.1001	-	Tubing, 3 Feet
	42916.1002	-	Tubing, 10 Feet
	42916.1004	-	Tubing, 250 Feet

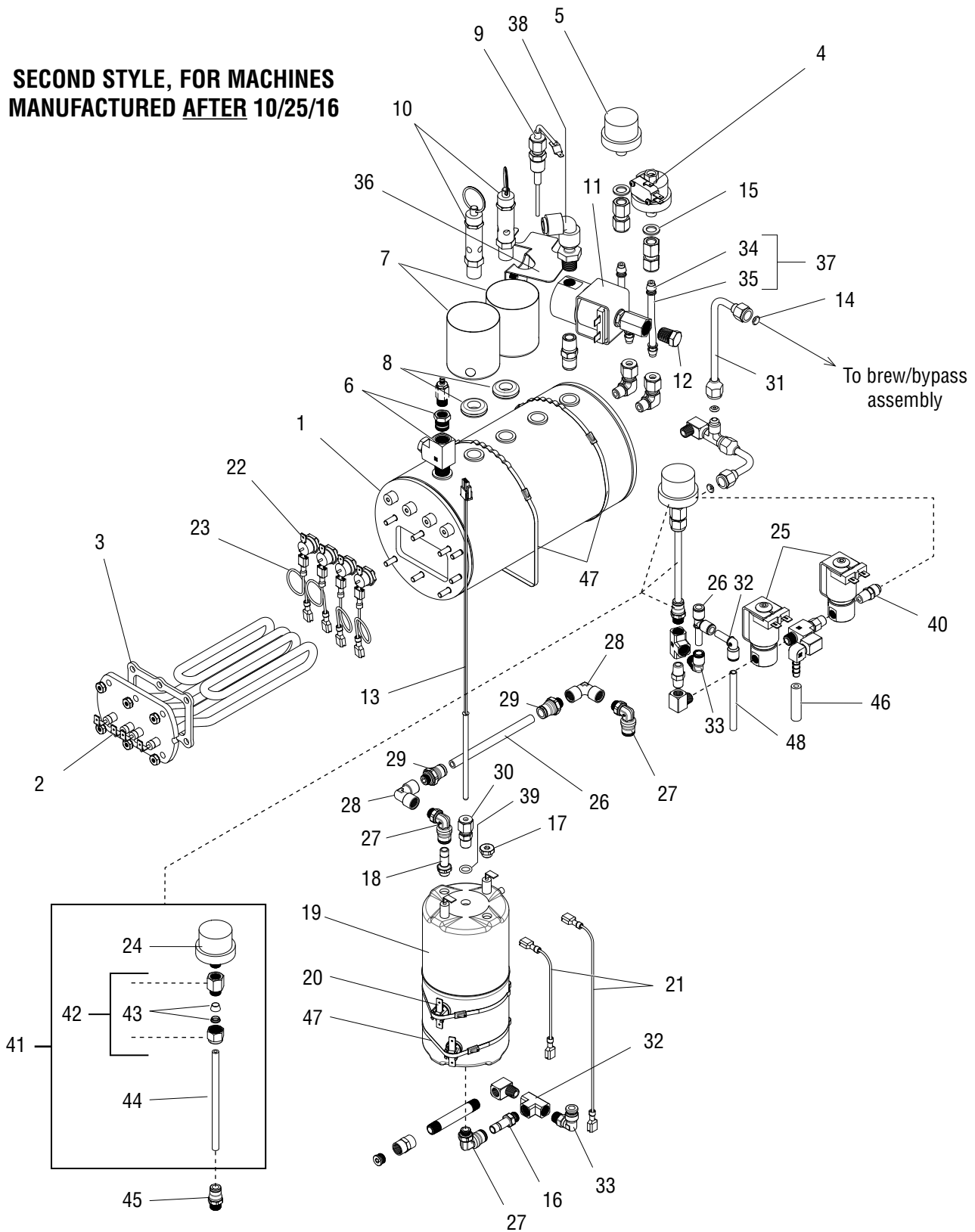


BOILER SECTION - SECOND STYLE

Sure Tamp

43400.01## SERIES

**SECOND STYLE, FOR MACHINES
MANUFACTURED AFTER 10/25/16**



BOILER SECTION - SECOND STYLE

ITEM	PART NO.	QTY.	DESCRIPTION
1	43960.0002	1	Kit, Boiler Tank
2	46249.1001	1	Kit, Heater Assembly 3000W 208VAC w/Gasket
3	51340.0001	1	Gasket, Boiler Heater
4	46531.0000	1	Switch, Pressure
5	46104.1000	1	Kit, Transducer 0-3 Bar
6	50761.1001	1	Kit, Vacuum Breaker Valve w/Reducer (includes Tee & tubes)
7	46069.0003	2	Cup, Overflow
8	46552.0001	2	Grommet
9	46033.1000	1	Liquid Level Probe
10	46008.0000	2	Safety Valve
11	51908.0000	1	Solenoid, 24VDC 3-Way
	48163.0000	1	Repair Kit (plunger & seal)
12	48745.0000	1	Plug
13	12568.1006	1	Temperature Probe
14	24684.0000	4	Gasket, Copper
15	47682.0000	2	Gasket, Copper
16	51735.0000	1	Fitting
17	51738.0000	1	Plug
18	47199.0001	1	Fitting
19	46005.0000	1	Kit, Coffee Boiler
20	48803.0000	2	Kit, Limit Thermostat, Auto Reset
21	21016.0316	1	Lead, Blue 9"
	21016.0317	1	Lead, Red 8"
22	46532.1000	4	Kit, Limit Thermostat, Manual Reset (w/Leads)
23	21003.0419	2	Lead 18AWG Red 3.0"
	21005.0990	1	Lead 18AWG Brn/Blk 3.0"
	21005.0991	1	Lead 18AWG Brn/Whi 3.0"
24	46103.1000	1	Kit, Transducer 0-10 Bar

CONTINUED

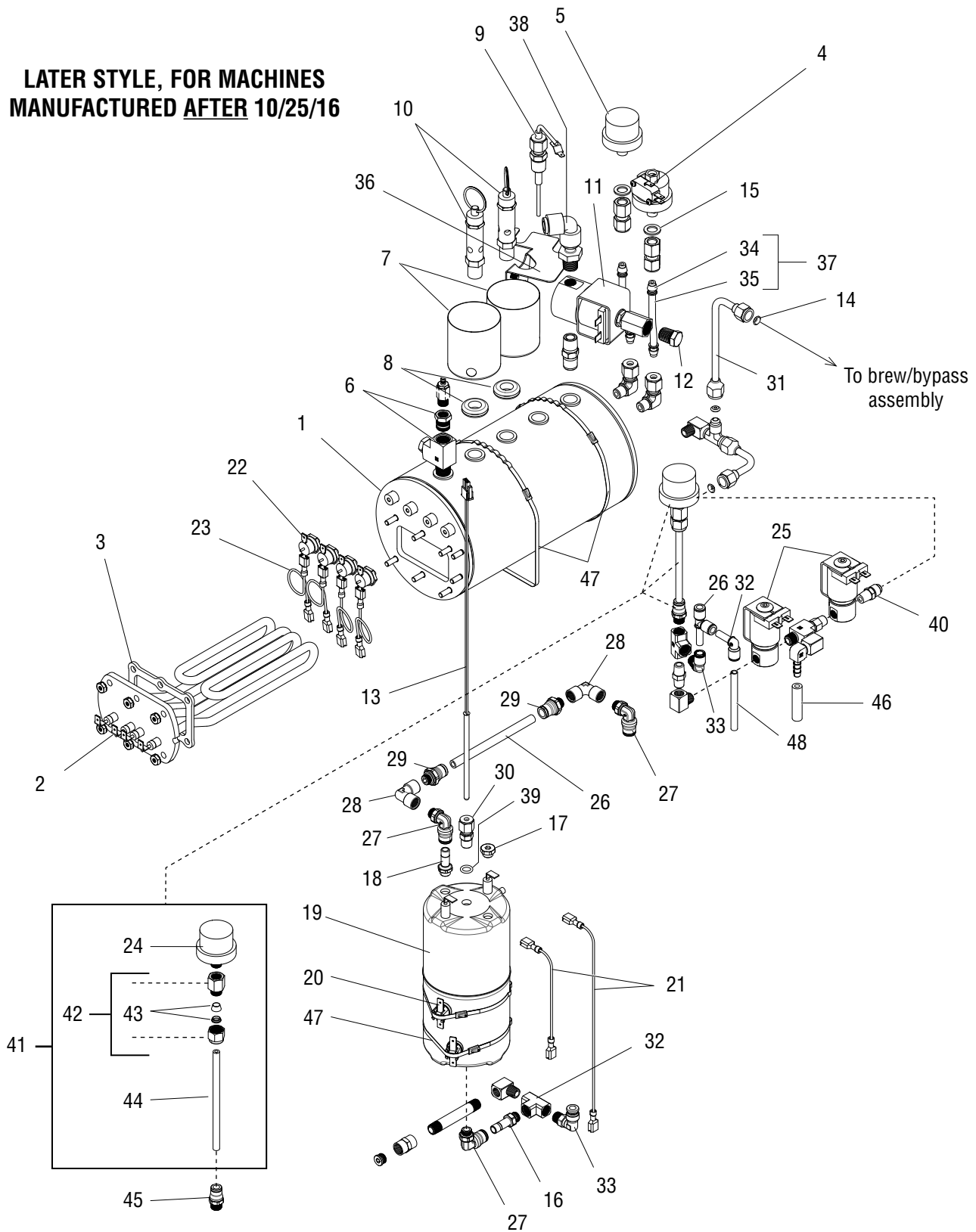


BOILER SECTION - SECOND STYLE

Sure Tamp

43400.01## SERIES

**LATER STYLE, FOR MACHINES
MANUFACTURED AFTER 10/25/16**



BOILER SECTION - SECOND STYLE

ITEM	PART NO.	QTY.	DESCRIPTION
25	53121.1000 48067.0000	2 -	Solenoid, 2-Way 3/32 Orifice 24VDC (Turn coil direction as needed) Repair Kit (plunger & seal)
26	47365.0000	1	Tee, Push to Connect
27	51742.0000	3	Elbow, Push to Connect
28	51744.0000	2	Fitting, Reducer
29	51743.0000	2	Fitting
30	51740.0000	1	Fitting (temp probe)
31	47436.0000	1	Tube Assembly
32	48273.0000	1	Fitting, Tee
33	46546.0000	1	Elbow, Push to Connect
34	51042.0000	4	Sleeve (ferrule)
35	46556.1008	2	Tubing, 3.5"
36	52022.0000 51899.1000	1 1	Kit, Steam Valve Bracket Kit, Mounting Screw
37	52024.0000	1	Kit, FEP Tube & Sleeve (Includes items 34 & 35)
38	53193.0000	1	Elbow Assembly
39	51739.0000	1	O-Ring
40	48269.0000	1	Fitting
41	52888.0000	1	Retrofit Kit, Transducer
42	52880.0000	1	Fitting
43	52886.0000	1	Ferrule Set
44		1	Tubing 4.5" (Order # 50)
45	46063.0000	1	Fitting
46		1	Tubing 1.5" (Order # 52)
47	37061.0000	4	Tie
48		1	Tubing 2.62" (Order # 51)

CONTINUED

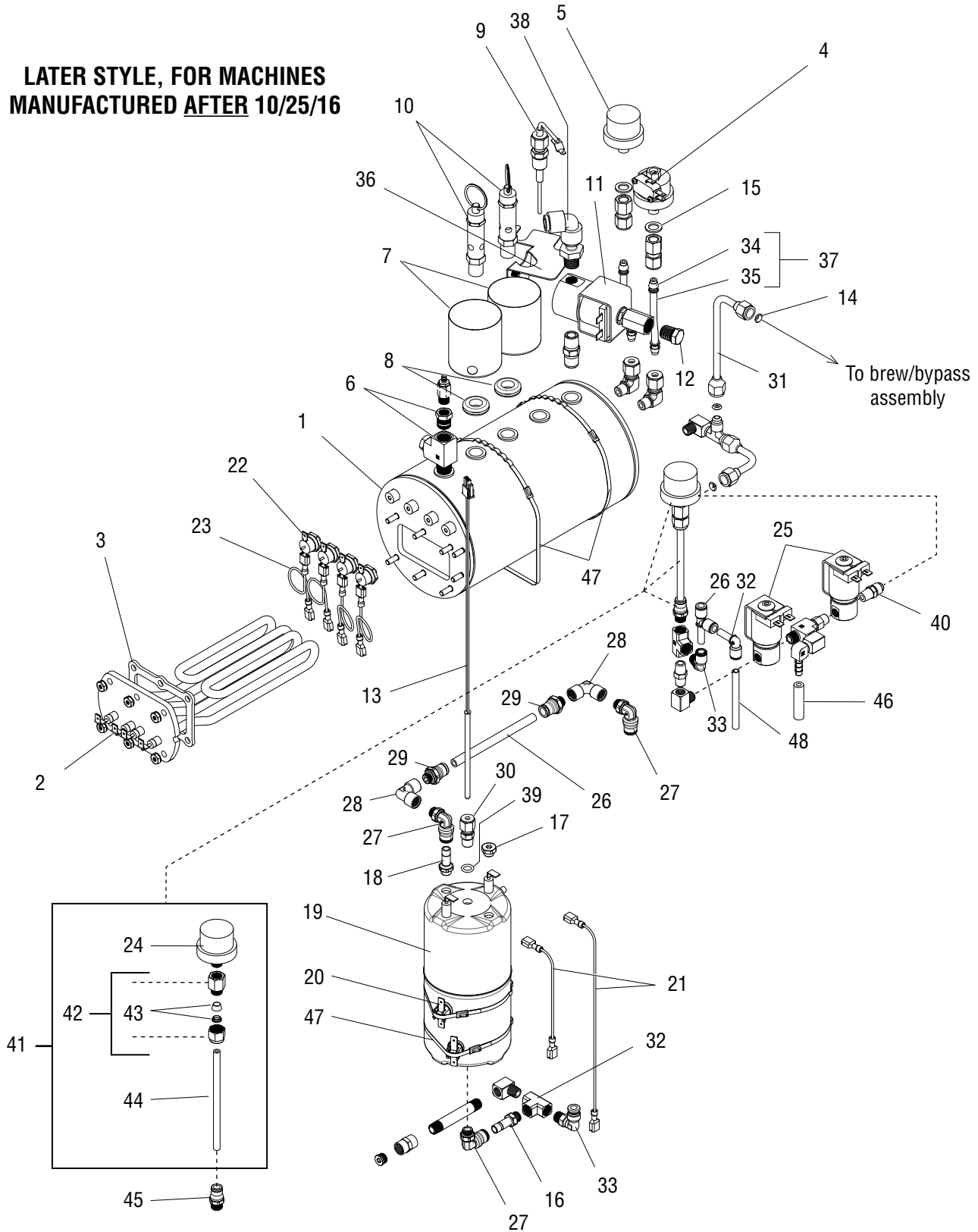


BOILER SECTION - SECOND STYLE

Sure Tamp

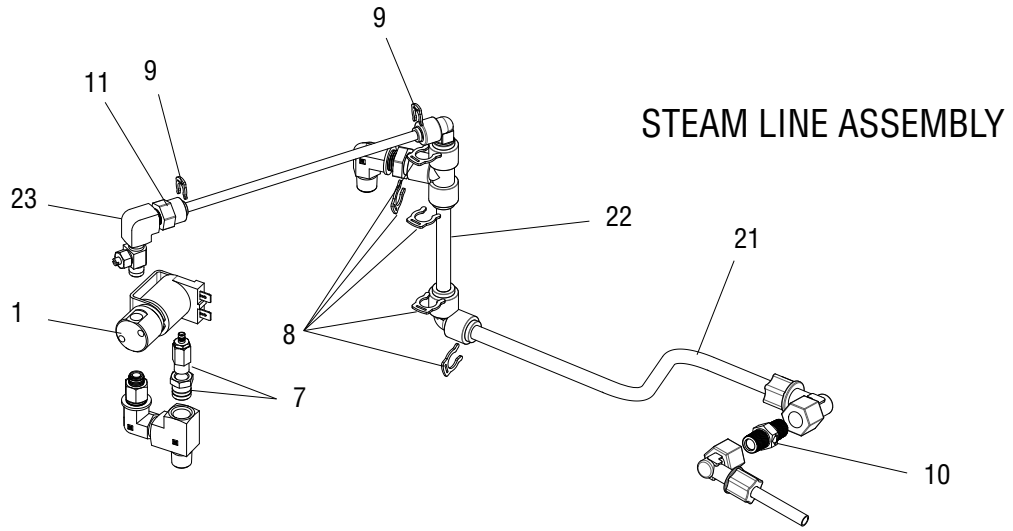
43400.01## SERIES

**LATER STYLE, FOR MACHINES
MANUFACTURED AFTER 10/25/16**

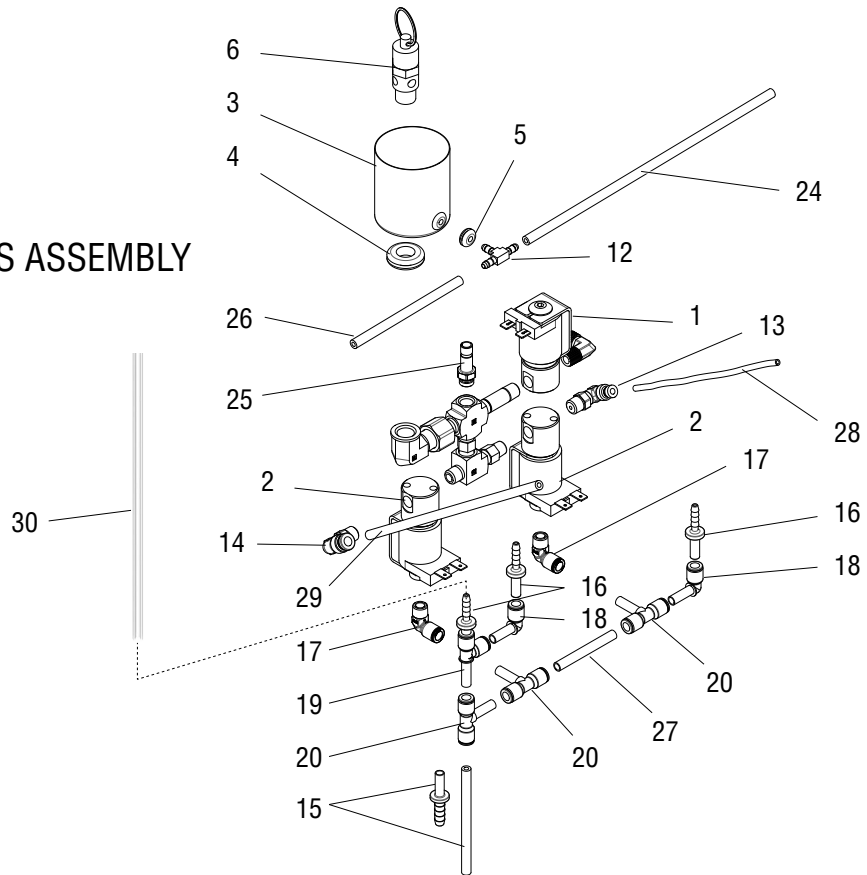


BOILER SECTION - SECOND STYLE

ITEM	PART NO.	QTY.	DESCRIPTION
The Following Items Are Not Illustrated			
48	46524.1003	1	Kit, Steam Boiler
	46738.1002	1	Kit, Auto Boiler
49	53160.0000	1	Kit, Upgrade Auto
	53161.0000	1	Kit, Upgrade Steam
50	46556.1000	-	Tubing, 1 Foot
	46556.1001	-	Tubing, 3 Foot
	46556.1002	-	Tubing, 10 Feet
51	46581.1000	-	Tubing, 1 Foot
	46581.1001	-	Tubing, 3 Feet
	46581.1002	-	Tubing, 10 Feet
52	42916.1000	-	Tubing, 1 Foot
	42916.1001	-	Tubing, 3 Feet
	42916.1002	-	Tubing, 10 Feet
	42916.1004	-	Tubing, 250 Feet
53	46005.1101	1	Kit, Coffee Boiler (Includes 13, 17-20, 27, 30, 39, 47)



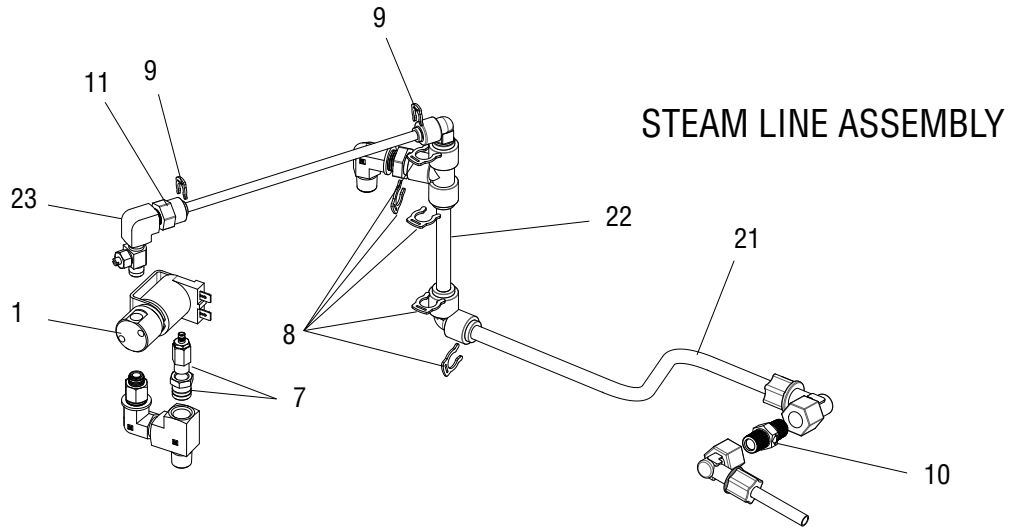
BREW/BYPASS ASSEMBLY



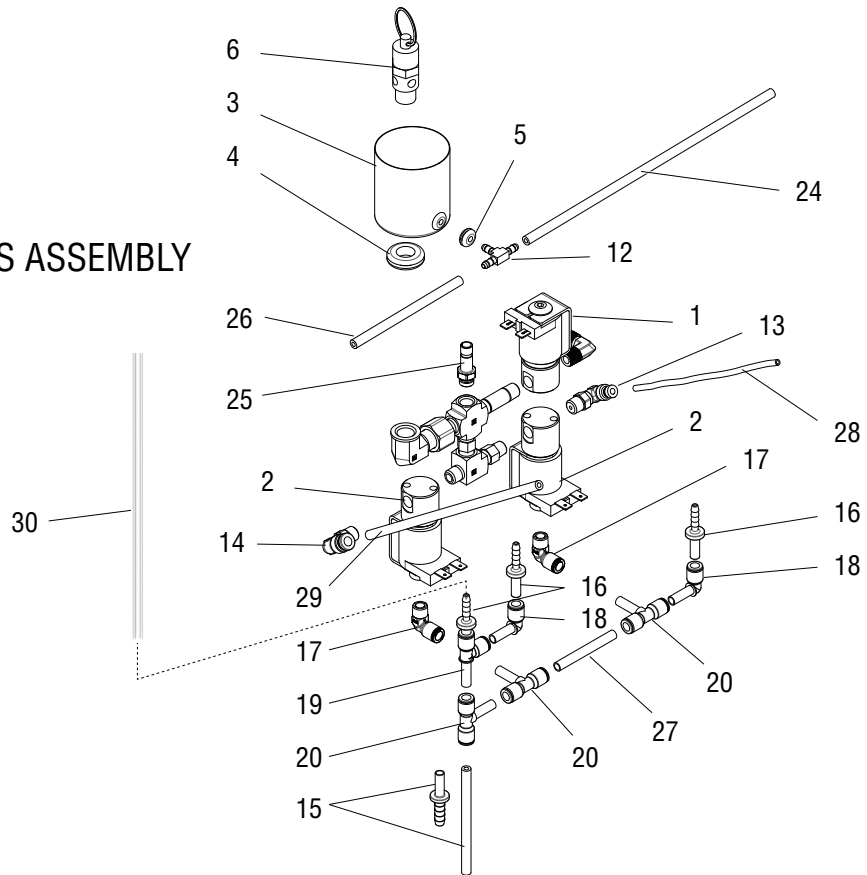
BREW/BYPASS & STEAM LINE ASSEMBLIES (AUTO)

ITEM	PART NO.	QTY.	DESCRIPTION
1	53121.1000 48067.0000	2 -	Solenoid, 2-Way 3/32 Orifice 24VDC (Turn coil direction as needed) Repair Kit (plunger & seal)
2	53119.1000 48165.0000	2 -	Solenoid, 3-Way 3/64 Orifice 24VDC (Turn coil direction as needed) Repair Kit (plunger & seal)
3	46069.0003	1	Cup, Overflow
4	46552.0001	1	Grommet
5	46551.0000	1	Grommet
6	46179.0000	1	Safety Valve
7	50761.1001	1	Kit, Vacuum Breaker Valve w/Reducer (includes Tee & tubes) Also see Auto plumbing
8	34507.0000	5	Clip, Locking 3/8" Tubing
9	29874.0000	2	Clip, Locking 1/4" Tubing
10	48685.0000	1	Check Valve
11	48743.0000	1	Fitting, Push to Connect
12	47332.0000	1	Tee
13	46545.0000	1	Elbow, Push to Connect 1/4" Tubing
14	46546.0000	1	Elbow, Push to Connect 5/32" Tubing
15		1	Tubing, 2.375" (Order # 35) (Later models)
	37925.0000	1	Fitting, Push to Connect 1/4" - 1/4" (Early models)
16	37925.0001	3	Fitting, Push to Connect 1/4" - 3/16"
17	46062.0000	2	Elbow, Push to Connect
18	46059.0000	1	Elbow, Push to Connect
19	47365.0000	1	Tee, Push to Connect
20	46058.0000	3	Tee, Push to Connect
21		1	Tubing, 12.25" (Order # 34)
22		1	Tubing, 2.75" (Order # 34)
23	48407.0000	1	Elbow
24		1	Tubing, 9.25" (Order # 33)

CONTINUED



BREW/BYPASS ASSEMBLY



BREW/BYPASS & STEAM LINE ASSEMBLIES (AUTO)

ITEM	PART NO.	QTY.	DESCRIPTION
26	51735.0000	1	Fitting
27		1	Tubing, 4.0" (Order # 33)
29		1	Tubing, 2.12" (Order # 36)
30		1	Tubing 15.5" (Order # 37)
31		1	Tubing, 8.0" (Order # 35)
32		1	Tubing, 10.0" (Order # 33)

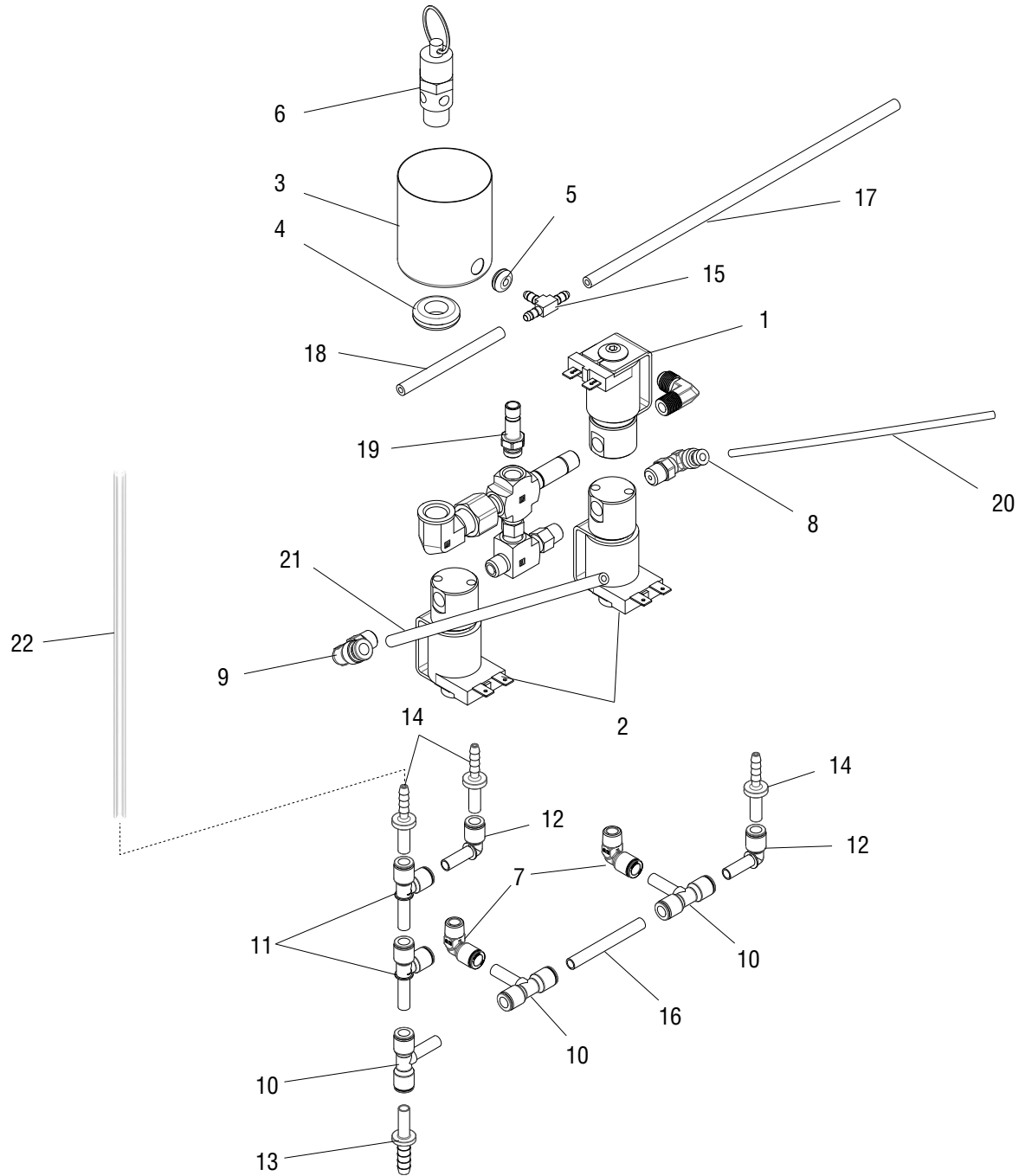
The Following Items Are Not Illustrated

33	36630.1000	-	Tubing, 1 Foot
	36630.1001	-	Tubing, 3 Feet
	36630.1002	-	Tubing, 10 Feet
34	48080.1001	-	Tubing, 1 Foot
	48080.1001	-	Tubing, 3 Feet
	48080.1002	-	Tubing, 10 Feet
35	46556.1000	-	Tubing, 1 Foot
	46556.1001	-	Tubing, 3 Foot
	46556.1002	-	Tubing, 10 Foot
36	46581.1000	-	Tubing, 1 Foot
	46581.1001	-	Tubing, 3 Feet
	46581.1002	-	Tubing, 10 Feet
37	47021.1000	-	Tubing, 1 Foot
	47021.1001	-	Tubing, 3 Feet
	47021.1000	-	Tubing, 10 Feet



BREW/BYPASS ASSEMBLY (STEAM)

**Sure
Tamp**



BREW/BYPASS ASSEMBLY

BREW/BYPASS ASSEMBLY (STEAM)

ITEM	PART NO.	QTY.	DESCRIPTION
1	53121.1000 48067.0000	1 -	Solenoid, 2-Way 3/32 Orifice 24VDC (Turn coil direction as needed) Repair Kit (plunger & seal)
2	53119.1000 48165.0000	2 -	Solenoid, 3-Way 3/64 Orifice 24VDC (Turn coil direction as needed) Repair Kit (plunger & seal)
3	46069.0003	1	Cup, Overflow
4	46552.0001	1	Grommet
5	46551.0000	1	Grommet
6	46179.0000	1	Safety Valve
7	46062.0000	2	Elbow, Push to Connect
8	46545.0000	1	Elbow, Push to Connect 1/4" Tubing
9	46546.0000	1	Elbow, Push to Connect 5/32" Tubing
10	46058.0000	3	Tee, Push to Connect
11	47365.0000	2	Tee, Push to Connect
12	46059.0000	2	Elbow, Push to Connect
13	37925.0000	1	Fitting, Push to Connect 1/4" - 1/4"
14	37925.0001	3	Fitting, Push to Connect 1/4" - 3/16"
15	47332.0000	2	Tee
16		1	Tubing, 2.12" (Order # 25)
17		1	Tubing, 9.25" (Order # 23)
18		1	Tubing, 3.0" (Order # 23)
19	51735.0000	1	Fitting
20		1	Tubing 15.5" (Order # 24)
21	46556.1010	1	Tubing, 8.0"
22		1	Tubing, 13.5" (Order # 23)

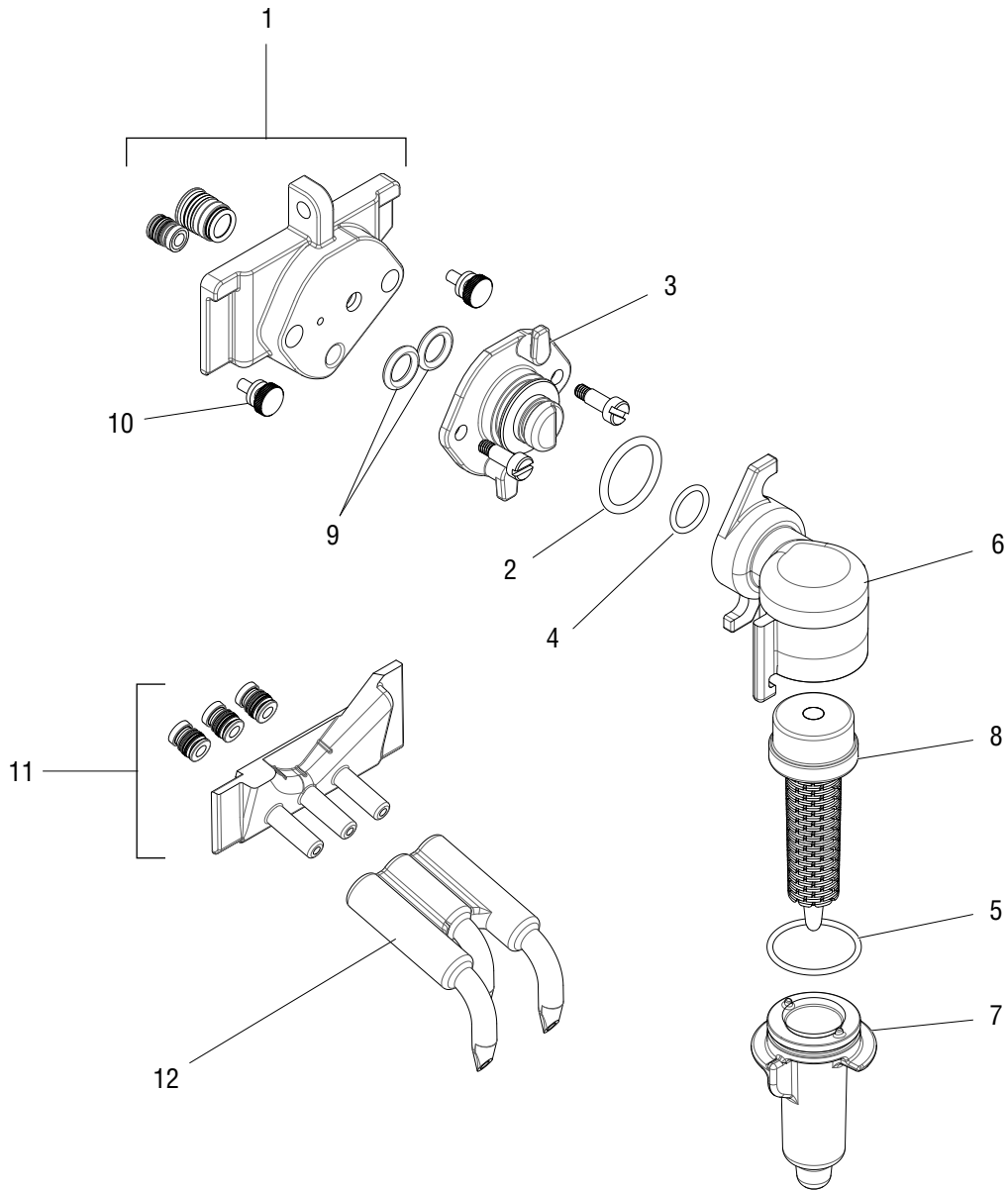
The Following Items Are Not Illustrated

23	36630.1000 36630.1001 36630.1002	- - -	Tubing, 1 Foot Tubing, 3 Feet Tubing, 10 Feet
24	47021.1000 47021.1001 47021.1000	- - -	Tubing, 1 Foot Tubing, 3 Feet Tubing, 10 Feet
25	46581.1000 46581.1001 46581.1002	- - -	Tubing, 1 Foot Tubing, 3 Feet Tubing, 10 Feet
26	53052.0000	1	Kit, Brew Line Upgrade



DISPENSE SECTION

Sure Tamp



DISPENSE SECTION

ITEM	PART NO.	QTY.	DESCRIPTION
1	46597.1000	1	Kit, Dispense Head Base (Includes pressed in tube fittings)
2	48230.0000	1	O-ring
3	46598.0001	1	Tip, Milk Frother
4	48231.0000	1	O-ring
5	48232.0000	1	O-ring
6	46599.0002	1	Whipping Chamber
7	53577.0001	1	Chamber, Frothing
8	53925.0000	1	Frother
9	48233.0000	2	O-ring
10	41480.1000	2	Thumbscrew
11	46676.1001	1	Holder Assembly, Dispense Tip (Includes pressed in tube fittings)
12	48833.0000	1	Tip, Dispense

The Following Items Are Not Illustrated

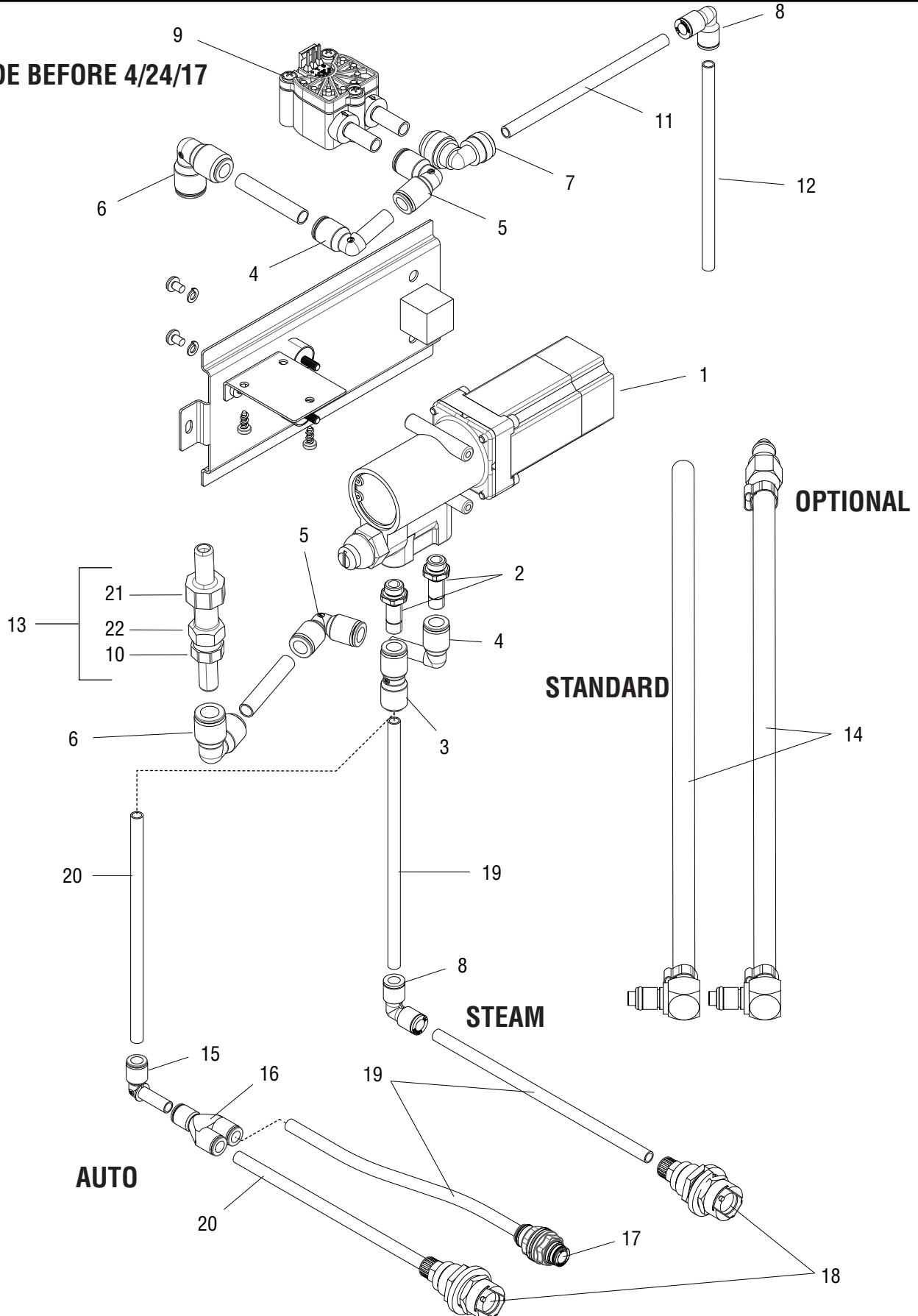
13	44023.0001	-	Kit, Haynes Silicone Lube
14	51682.0000	-	Kit, Laminator Tip with Insert (Includes 5,7,8)
15	51682.0001	-	Kit, Dispense Head Parts (Includes 5,7,8,12)



WATER PUMP - FIRST STYLE

**Sure
Tamp**

MADE BEFORE 4/24/17



WATER PUMP - FIRST STYLE

ITEM	PART NO.	QTY.	DESCRIPTION
1	48244.0000	1	Kit, Water Pump w/cable tie
2	47199.0001	2	Fitting
3	50044.0000	1	Fitting, Push to Connect 5/16" Tubing
4	49858.0000	2	Elbow, Plug-in 5/16" Tubing x 5/16" Stem
5	49857.0000	2	Elbow, Push-in 5/16" Tubing
6	49861.0000	2	Elbow, Tube to Tube 5/16" x 3/16" Union
7	46944.0000	1	Elbow, Push to Connect 5/16" Tube x 1/4" Tube
8	50069.0000	2	Elbow, Push to Connect 1/4" Tubing
9	40752.0002	1	Flow Meter
10	49842.0000	1	Adaptor
11		1	Tubing, 4.5" (Order # 24)
12		1	Tubing, 5.0" (Order # 24)
13	49835.1000	1	Kit, Supply Line Adaptor
14	48436.1000	1	Kit, Supply Line Tube Assembly (Standard)
	50212.1000	1	Kit, Supply Line Tube Assembly (Optional)
15	46059.0000	1	Elbow, Push to Connect 1/4" Tubing
16	49955.0000	1	Fitting, "Y" Push to Connect 1/4" Tubing
17	47756.0000	1	Union, Bulkhead Push to Connect 1/4" Tubing
18	49204.0000	1	Coupling, Valved Panel Mount
19		2	Tubing, 6.0" (Order 24)
20		2	Tubing, 5.5" (Order 24)
21	49841.0000	1	Adaptor
22	49835.0000	1	Adaptor

The Following Items Are Not Illustrated

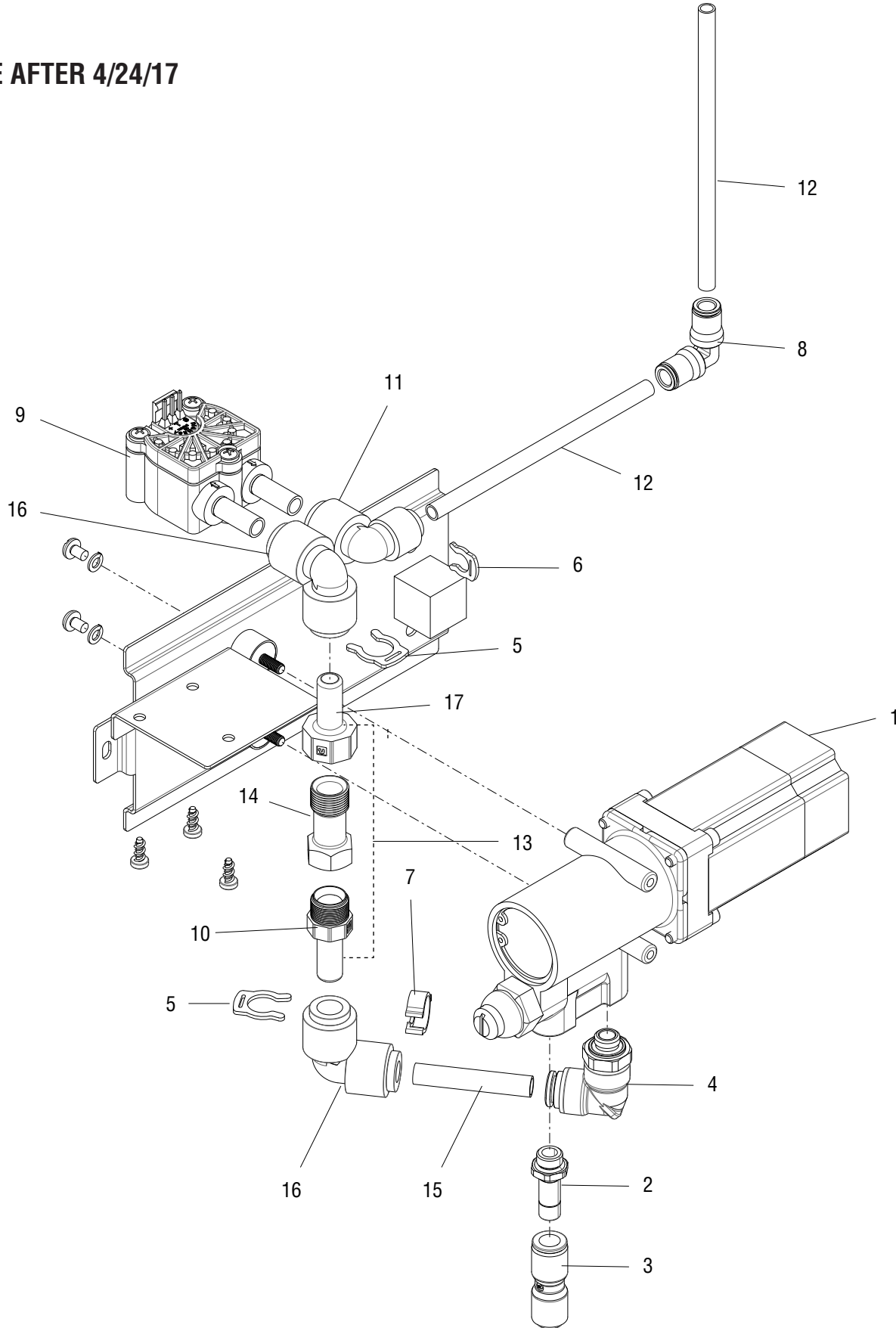
23	52025.0000	1	Kit, Pump Conversion (Includes items 2 - 8, 10-13)
24	46581.1000	-	Tubing, 1 Foot
	46581.1001	-	Tubing, 3 Feet
	46581.1002	-	Tubing, 10 Feet
25	46722.1003	1	Kit, Water pump Module (Includes 1-13 and mounting bracket)



WATER PUMP - SECOND STYLE

**Sure
Tamp**

MADE AFTER 4/24/17



WATER PUMP - SECOND STYLE

ITEM	PART NO.	QTY.	DESCRIPTION
1	48244.0000	1	Kit, Water Pump w/cable tie
2	47199.0001	1	Fitting
3	50044.0000	1	Fitting, Push to Connect 5/16"
4	53421.0000	1	Fitting
5	34507.0000	2	Clip
6	29874.0000	1	Clip
7	54154.0000	1	Safety Clip
8	50069.0000	1	Elbow, Push to Connect 1/4"
9	40752.0002	1	Flow Meter
10	49842.0000	1	Adaptor
11	54153.0000	1	Fitting
12		2	Tubing, 4.5" (Order # 19)
13	49835.1000	1	Kit, Supply Line Adaptor (Includes 10, 21 & 22)
14	49835.0000	1	Adaptor
15		1	Tubing, 2.0" (Order # 20)
16	54152.0000	2	Fitting
17	49841.0000	1	Adaptor

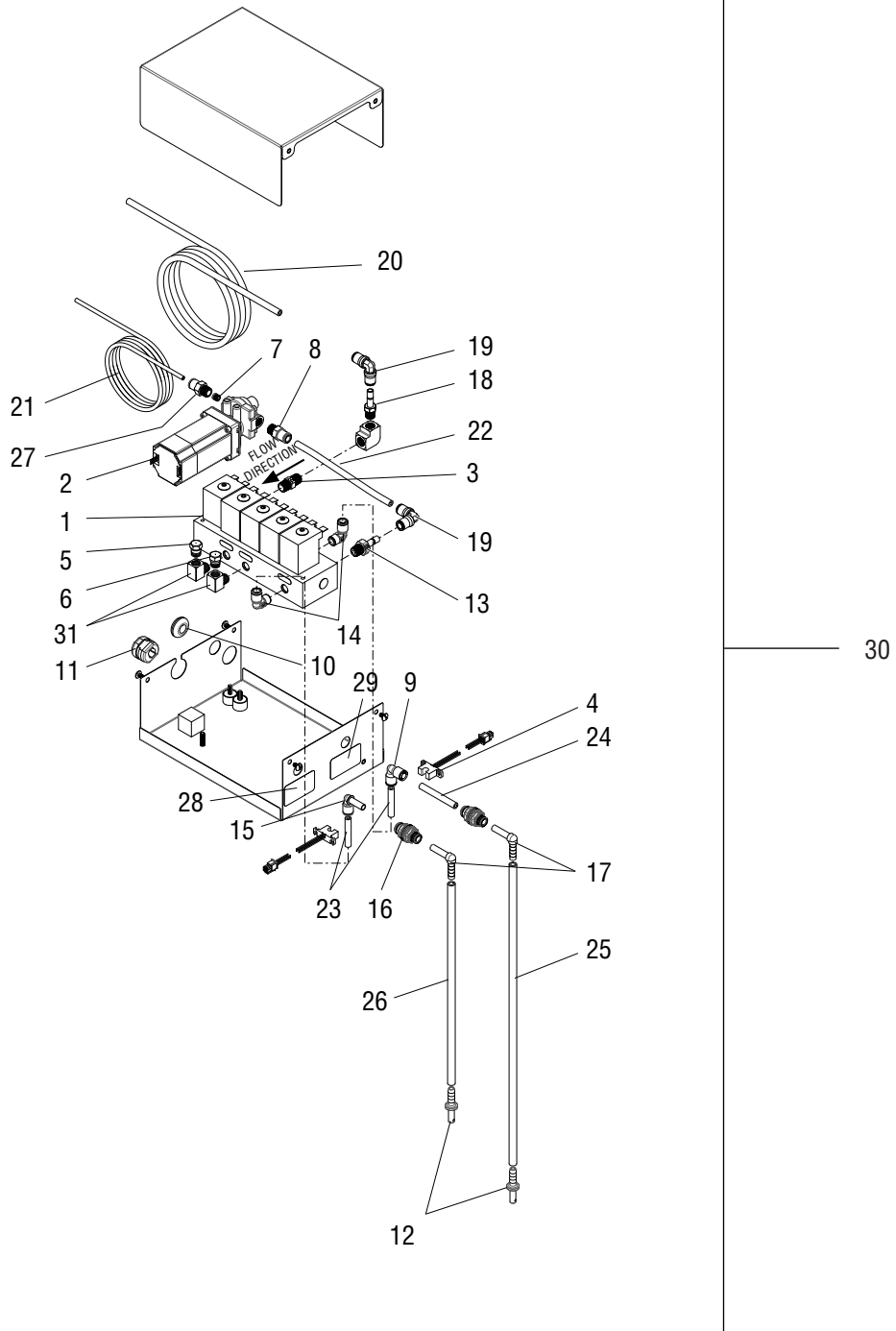
The Following Items Are Not Illustrated

18	54157.1000	1	Kit, Water Pump Retrofit
19	46581.1000	-	Tubing, 1 Foot
	46581.1001	-	Tubing, 3 Feet
	46581.1002	-	Tubing, 10 Feet
20	49533.1000	-	Tubing, 1 Foot
	49533.1001	-	Tubing, 3 Feet
	49533.1002	-	Tubing, 10 Feet



MILK MODULE

**Sure
Tamp**



MILK MODULE

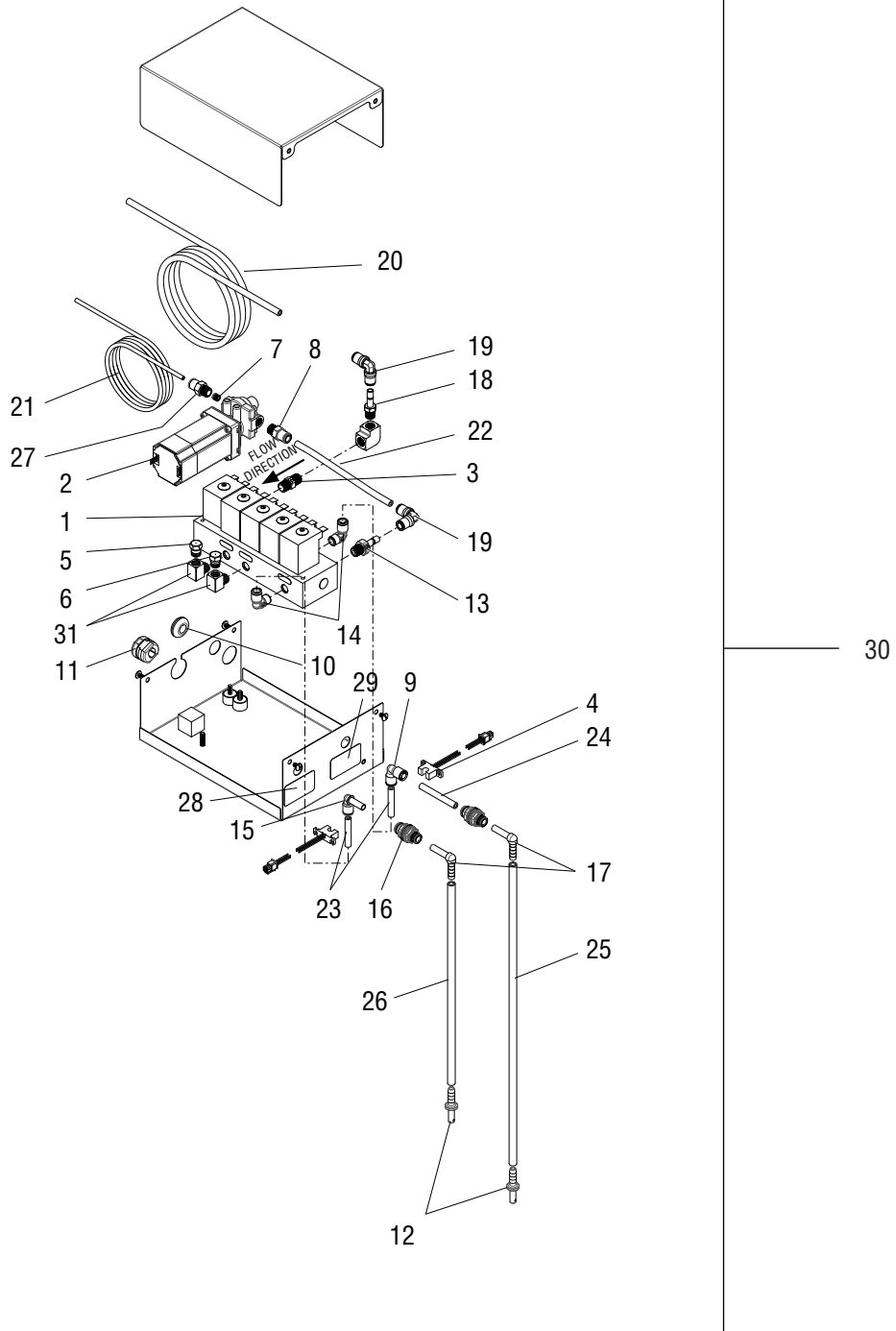
ITEM	PART NO.	QTY.	DESCRIPTION
1	53122.1000	1	Manifold, Milk
	51445.0000	3	Kit, Solenoid Repair (milk)
	51446.0000	2	Kit, Solenoid Repair (water & air draw)
2	46540.0001	1	Pump
3	48704.0000	1	Check Valve
4	49570.0000	2	Sensor
5	47068.0000	1	Orifice, Flow Control .01
6	47069.0000	1	Orifice, Flow Control .02
7	47067.0001	1	Orifice, Flow Control .038
8	46961.0000	1	Fitting
9	47633.0000	1	Elbow, Push to Connect
10	02536.0000	1	Grommet
11	28683.0000	1	Bushing, Strain Relief
12	52350.0001	2	Fitting
13	47609.0000	1	Fitting
14	46062.0000	2	Elbow, Push to Connect
15	46059.0000	1	Elbow, Push to Connect
16	47756.0000	2	Union, Bulkhead
17	50040.0000	2	Elbow, Push to Connect
18	50175.0000	1	Fitting
19	50069.0000	2	Elbow, Push to Connect
20		1	Tubing, 66.0" (Order # 36)
21		1	Tubing, 64.5" (Order # 37)
22		1	Tubing, 5.5" (Order # 36)
23		2	Tubing, 1.375" (Order # 36)
24		1	Tubing, 2.0" (Order # 36)
25		1	Tubing, 21.0" (Order # 32)

CONTINUED



MILK MODULE

**Sure
Tamp**



MILK MODULE

ITEM	PART NO.	QTY.	DESCRIPTION
26		1	Tubing, 15.0" (Order # 32)
27	50098.0002	1	Fitting (with item 7 orifice)
28	48782.0000	1	Decal, Milk 1
29	48782.0001	1	Decal, Milk 2
30	49708.1000	1	Kit, Sure Tamp Milk Module (Includes all illustrated items)
31	48271.0000	2	Fitting, Elbow

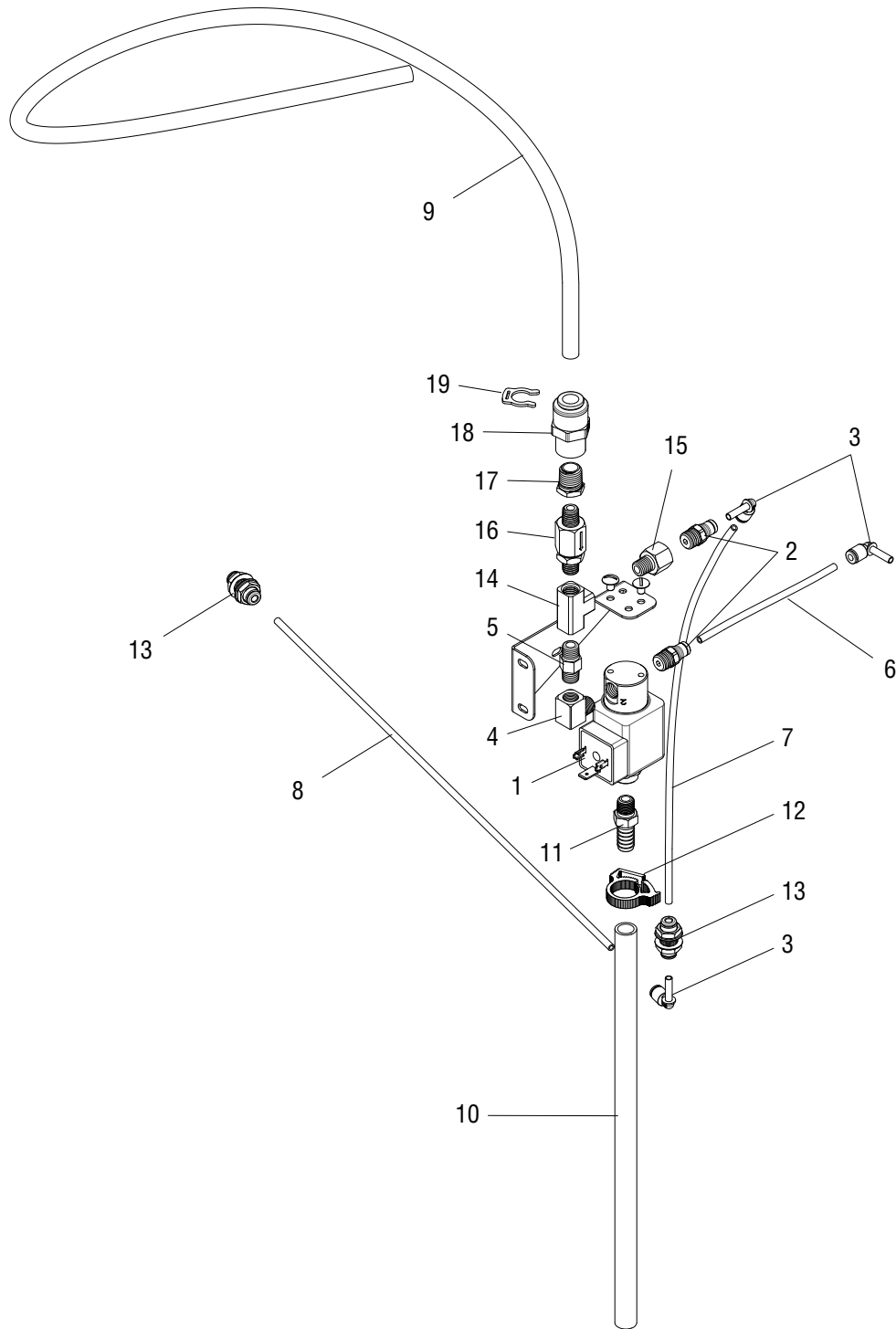
The Following Items Are Not Illustrated

32	41113.1001	-	Tubing, 3 Feet
	41113.1002	-	Tubing, 10 Feet
33	47180.0004	1	Wiring Harness, to Refrigerator
34	47666.0001	1	Wiring Harness, Pump to Main CBA J20
35	51495.0000	1	Kit, Milk Line Replacement (Includes 12, 17, 25 & 26)
36	46556.1000	-	Tubing, 1 Foot
	46556.1001	-	Tubing, 3 Foot
	46556.1002	-	Tubing, 10 Foot
37	47021.1000	-	Tubing, 1 Foot
	47021.1001	-	Tubing, 3 Feet
	47021.1000	-	Tubing, 10 Feet



MILK MANIFOLD (AUTO)

**Sure
Tamp**



MILK MANIFOLD (AUTO)

ITEM	PART NO.	QTY.	DESCRIPTION
1	53120.1000	1	Solenoid, 3-Way 24VDC (Turn coil direction as needed)
	01311.0001	2	Screw, TRH SLTD SST 8-32 x .25"
	42278.1050	-	Repair Kit (plunger & seal)
2	46578.0000	2	Fitting
3	47564.0000	3	Elbow
4	48271.0000	1	Fitting, Elbow
5	00412.0001	1	Nipple
6		1	Tubing, 4.25" (Order # 21)
7		1	Tubing 11.5" (Order # 21)
8		1	Tubing 15" (Order # 21)
9		1	Tubing, 35.5" (Order # 22)
10		1	Tubing, .375" x 11.0" (Order # 20)
11	43122.0002	1	Fitting
12	12422.0000	1	Clamp, SNP-6
13	47192.0000	2	Coupling
14	24599.0001	1	Tee
15	53632.0000	1	Fitting
16	40071.0004	1	Check Valve
17	48435.0000	1	Fitting, Bushing
18	48434.0000	1	Fitting
19	34507.0000	1	Clip

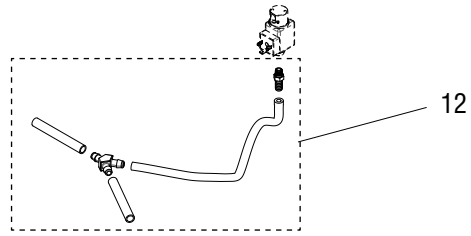
The Following Items Are Not Illustrated

20	41193.1000	-	Tubing, 120"
	41193.1001	-	Tubing, 36"
	41193.1002	-	Tubing, 12"
	41193.1004	-	Tubing, 250'
21	47021.1000	-	Tubing, 12"
	47021.1001	-	Tubing, 36"
	47021.1002	-	Tubing, 120"
22	48080.1000	-	Tubing, 12"
	48080.1001	-	Tubing, 36"
	48080.1002	-	Tubing, 120"



DRAIN ASSEMBLIES

**Sure
Tamp**



LATER STYLE

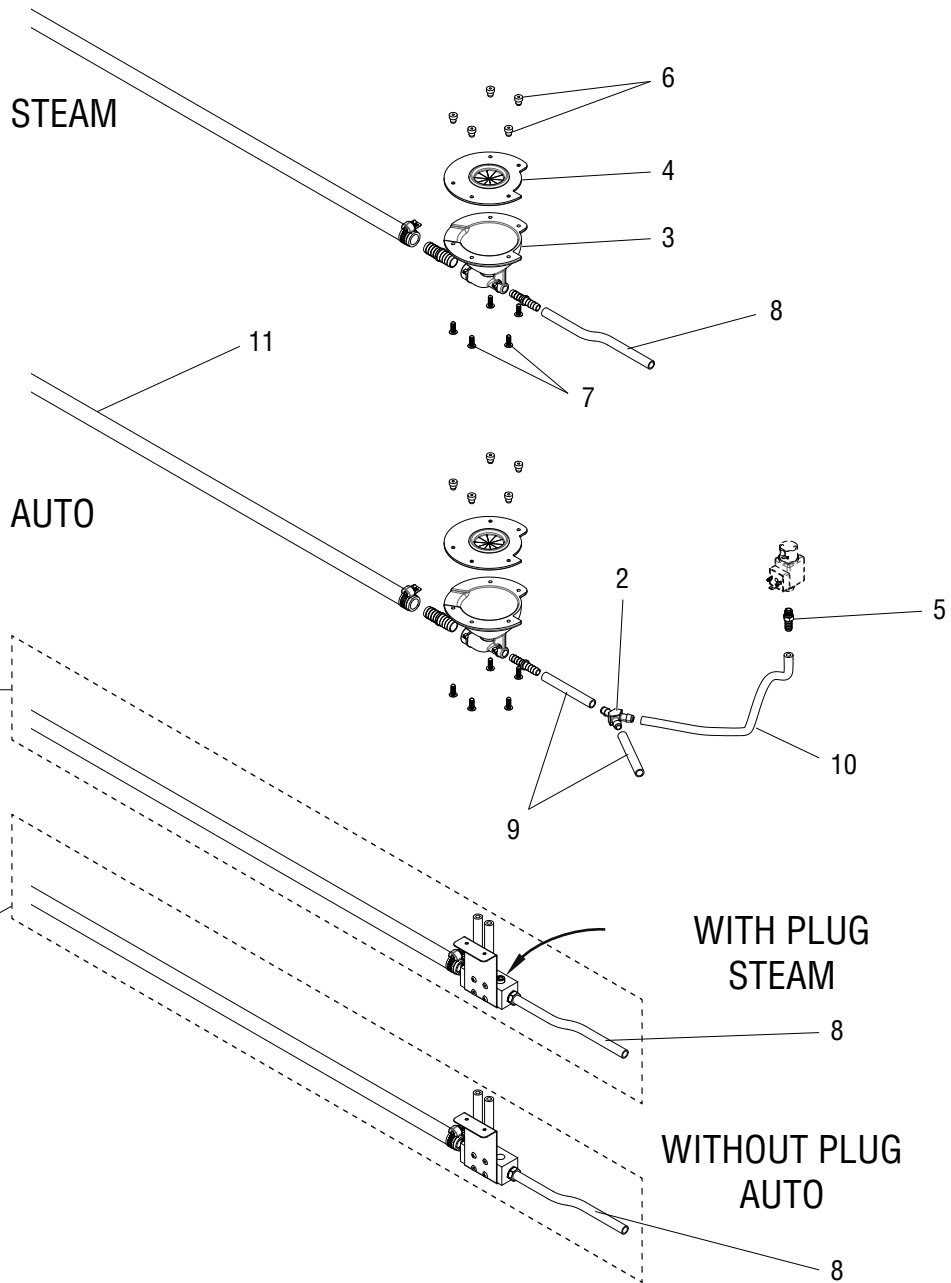
STEAM

AUTO

EARLY STYLE

13

14

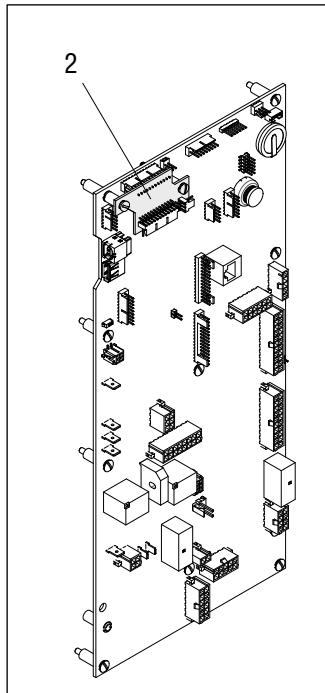


DRAIN ASSEMBLIES

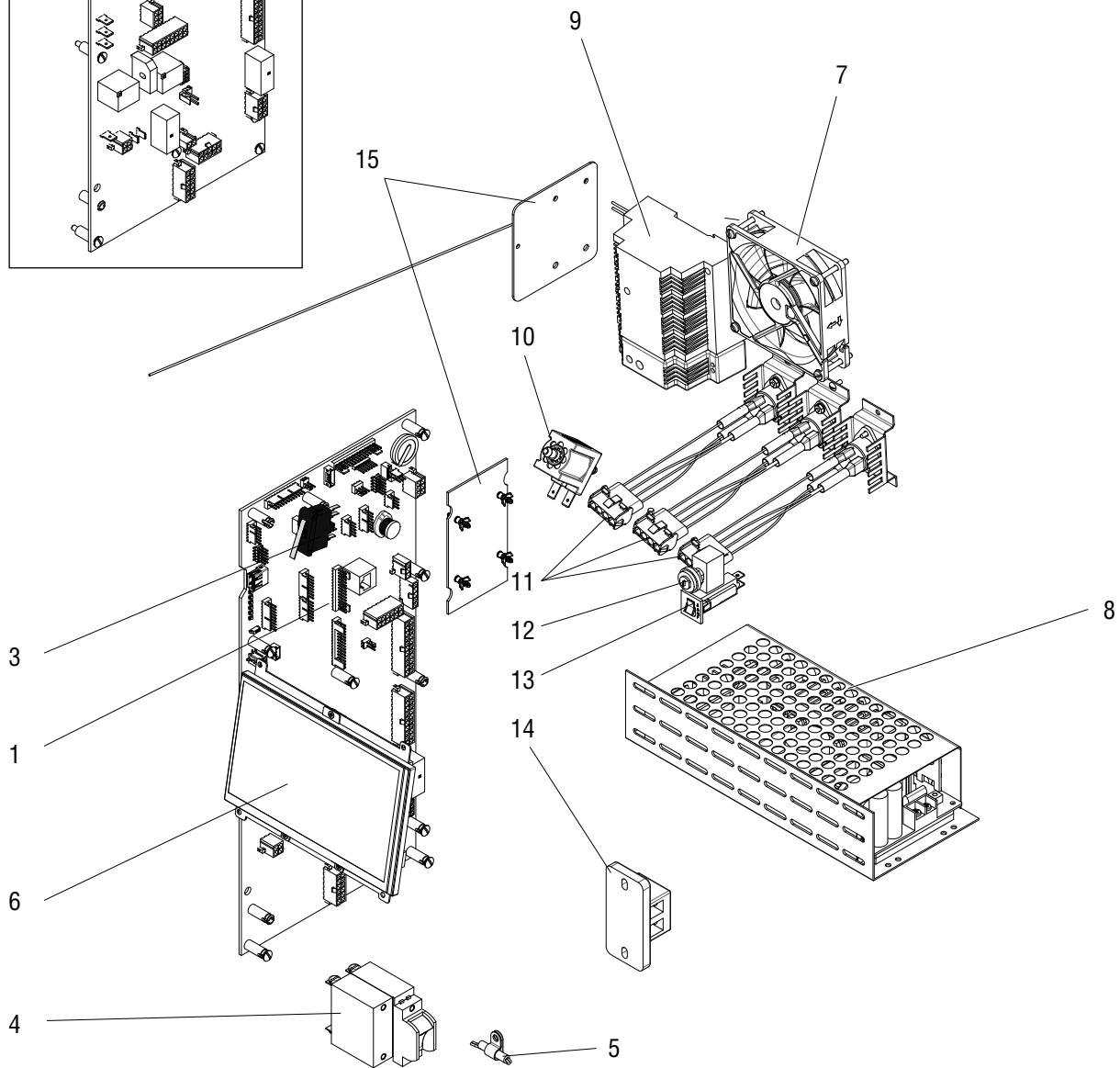
ITEM	PART NO.	QTY.	DESCRIPTION
1	47540.1000	1	Drain Hose Assembly w/Inner Spring 72"
2	38023.0001	1	"Y" Fitting
3	52364.0004	1	Cup, Drain
4	52606.0001	1	Grommet
5	43122.0002	1	Fitting
6	03989.0000	5	Grommet
7	52903.0000	5	Rivet
8		1	Tubing, .375" ID x 8.0" (Order # 15)
9		1	Tubing .375" ID x 3.75" (Order # 15)
10		1	Tubing, .375" ID x 11.0" (Order # 15)
11	47540.1000	1	Tubing, w/internal spring (Precut to 72")
12	53735.0000	1	Kit, Drain Assembly Update (Upgrades 2nd style Auto from Tee fitting to "Y" fitting)
13	47530.1000	1	Kit, Drain Manifold Assembly, Steam
14	47530.1001	1	Kit, Drain Manifold Assembly, Auto

The Following Items Are Not Illustrated

15	41193.1000	-	Tubing, 120"
	41193.1001	-	Tubing, 36"
	41193.1002	-	Tubing, 12"
	41193.1004	-	Tubing, 250'



EARLY STYLE
MAIN CBA



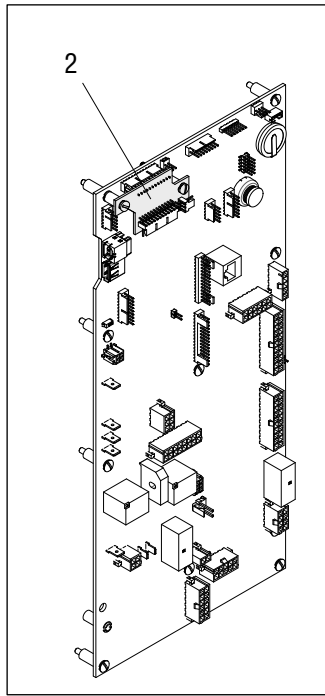
ELECTRICAL

ITEM	PART NO.	QTY.	DESCRIPTION
1	50123.1000	1	CBA, Main (Later Style with built in milk board)
	43913.1001	1	CBA, Main (NO LONGER AVAILABLE, ORDER LATER STYLE)
	38123.0000	12	Screw, Phillips 6-32 x 1.0"
2	50009.1002	1	CBA, Adjustable Milk Sensor w/Harness (For use with 43913.#### CBA ONLY)
3	46534.0001	1	Switch (Door)
4	38894.0003	1	Switch, Main
5	36390.0001	1	Switch, Reed
6	48242.0000	1	Kit, Touch Screen
7	47527.0000	1	Fan Assembly
8	46536.0002	1	Power Supply, Main 24VDC
9	48384.0000	1	Power Supply, 5VDC (Includes 47163.0001 Harness)
10	46633.0000	1	Valve, Vent 24VDC
11	48578.1000	3	Kit, Triac (Includes 48578.0000 harness)
12	20987.0000	1	Circuit Breaker, 3 AMP
13	27181.0000	1	Circuit Breaker, 5 AMP
14	01106.0001	1	Terminal Block
15	50832.0000	1	Kit, Bunn Link (Includes antenna & 48781.0000 harness) CDMA (USA Only)
	50832.0001	1	Kit, Bunn Link (Includes antenna & 48781.0000 harness) GSM (International)
	48694.1000	1	Kit, BunnLink CBA (CDMA) (USA Only)
	48694.1002	1	Kit, BunnLink CBA (GSM) (International)
	48695.1000	1	Kit, BunnLink Antenna

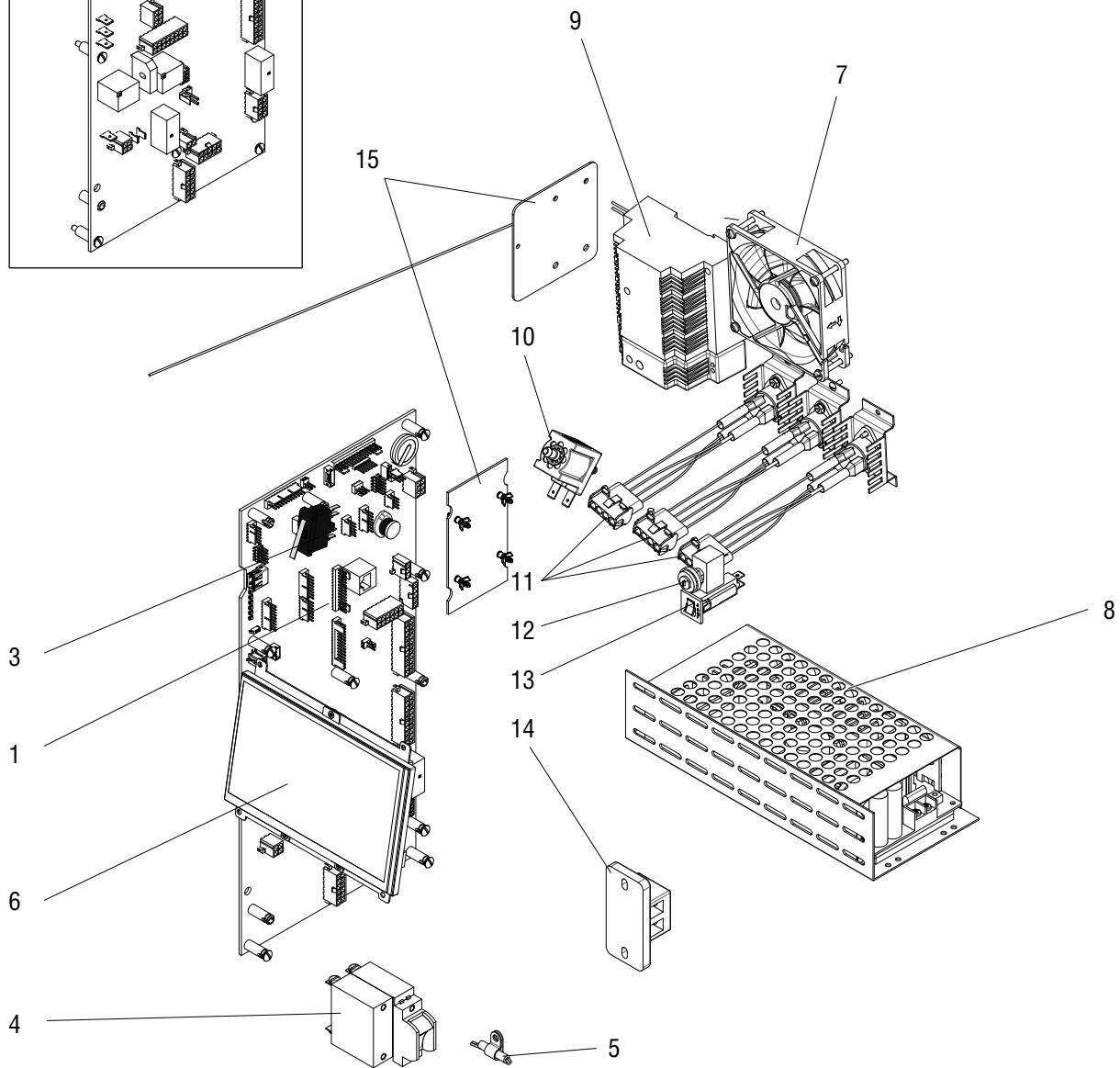
The Following Items Are Not Illustrated

16	47161.0000	1	Wiring Harness, Terminal Block to Main Switch
17	47162.0001	1	Wiring Harness, 24V P.S. to Main CBA J9
18	47163.0002	1	Wiring Harness, 5V P.S.
19	47164.0001	1	Wiring Harness, Brew Chamber to Main CBA J12
20	47165.0000	1	Wiring Harness, Brew Chamber Assembly
21	47167.0000	1	Wiring Harness, Hydraulic Assembly to Main CBA J5
22	47169.0002	1	Wiring Harness, Triacs/Heater to Main CBA J41
23	47170.0001	1	Wiring Harness, Water Pump/Flow Meter to Main CBA

CONTINUED



EARLY STYLE
MAIN CBA



ELECTRICAL

ITEM	PART NO.	QTY.	DESCRIPTION
24	47171.0000	1	Wiring Harness, Heater Assembly
25	47172.0001	1	Wiring Harness, Grinder to Main CBA
26	49010.0000	1	Wiring Harness, Steam Wand to Main CBA
27	47366.0000	1	Wiring Harness, Brew Vent to Main CBA
28	48578.1000	3	Wiring Harness, Triac Assembly
29	48781.0000	1	Wiring Harness, Bunn Link to Main CBA
30	50211.0000	1	Power Cord
31	50498.0000	1	Wiring Harness, Chassis to Display
32	50502.0000	1	Wiring Harness, Hydraulic Assembly (43400.01## Models)

The Following Items Are Not Illustrated

33		1	Tubing, 18" (Order bulk tubing listed below)
	36630.1000	-	Tubing, 12"
	36630.1001	-	Tubing, 36"
	36630.1002	-	Tubing, 120"



43400.02## SERIES

**Sure
Tamp**

THIS PAGE LEFT BLANK INTENTIONALLY

43400.02## SERIES

THIS PAGE LEFT BLANK INTENTIONALLY

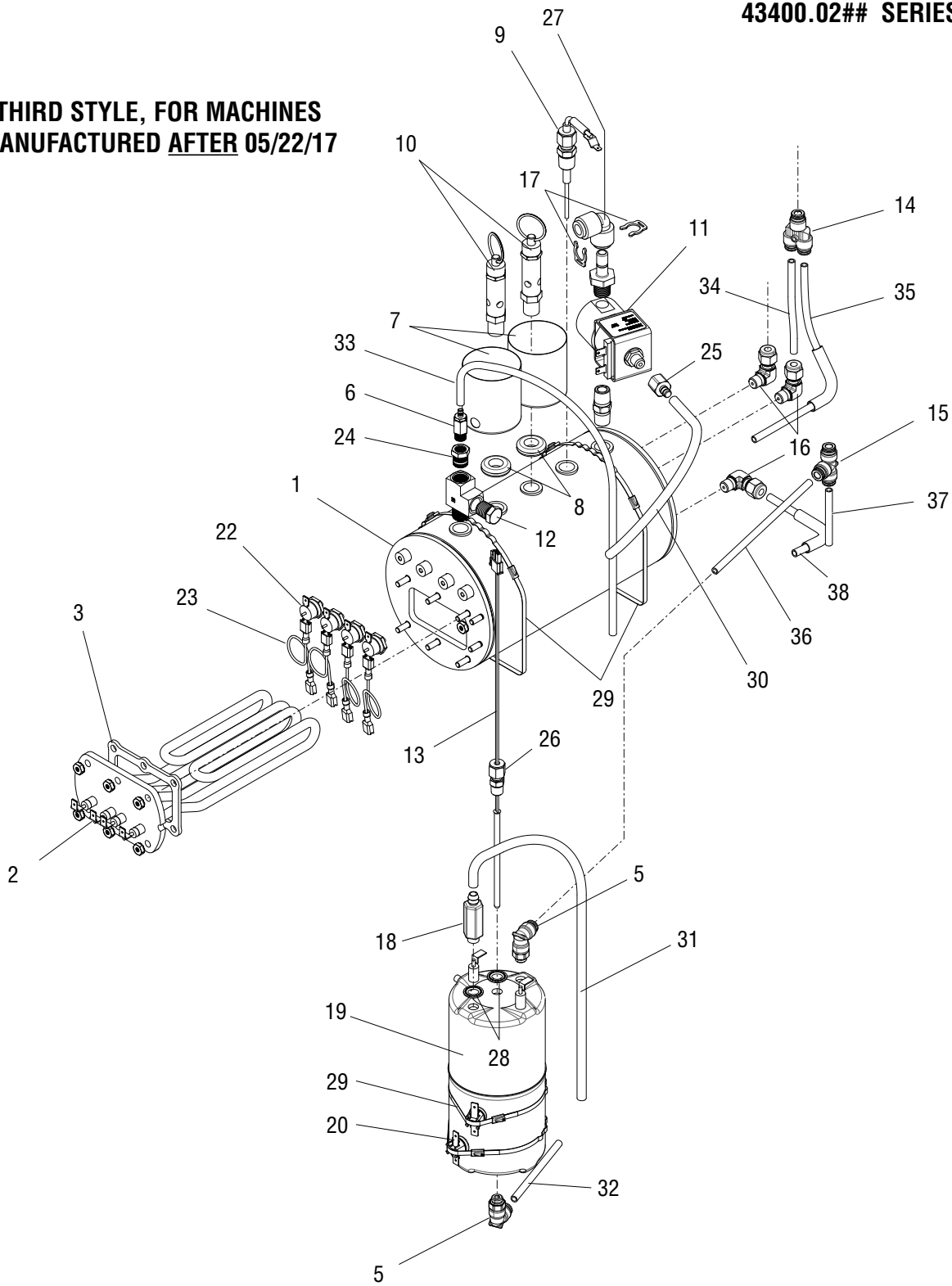


BOILER SECTION

Sure Tamp

43400.02## SERIES

**THIRD STYLE, FOR MACHINES
MANUFACTURED AFTER 05/22/17**



BOILER SECTION

ITEM	PART NO.	QTY.	DESCRIPTION
1	43960.0002	1	Kit, Boiler Tank
2	46249.1001 49133.0000	1 10	Kit, Heater Assembly 3000W 208VAC w/Gasket Nut, Keps #10-32 SST
3	51340.0001	1	Gasket, Boiler Heater
4	46531.0000	1	Switch, Pressure
5	53414.0000	2	Elbow
6	50761.1001	1	Kit, Vacuum Breaker Valve w/Reducer (includes Tee & tubes)
7	46069.0003	2	Cup, Overflow
8	46552.0001	2	Grommet
9	46033.1000	1	Liquid Level Probe
10	46008.0000	2	Safety Valve
11	51908.0001 48163.0000	1 1	Solenoid, 24VDC 3-Way (Steam) Repair Kit (plunger & seal)
12	48745.0000	1	Plug
13	12568.1006	1	Temperature Probe
14	53416.0000	4	Fitting, Y
15	53411.0000	1	Fitting, Tee
16	48282.0002	3	Fitting, Elbow
17	34507.0000	2	Clip
18	53546.0000	1	Safety Valve
19	46005.0000	1	Kit, Coffee Boiler
20	48803.0000	2	Kit, Limit Thermostat, Auto Reset (with band)
21	21016.0316 21016.0317	1 1	Lead, Blue 9" Lead, Red 8"
22	46532.1000	4	Kit, Limit Thermostat, Manual Reset (w/Leads)
23	21003.0419 21005.0990 21005.0991	2 1 1	Lead 18AWG Red 3.0" Lead 18AWG Brn/Blk 3.0" Lead 18AWG Brn/Whi 3.0"
24	50762.0000	1	Fitting, Reducer

CONTINUED

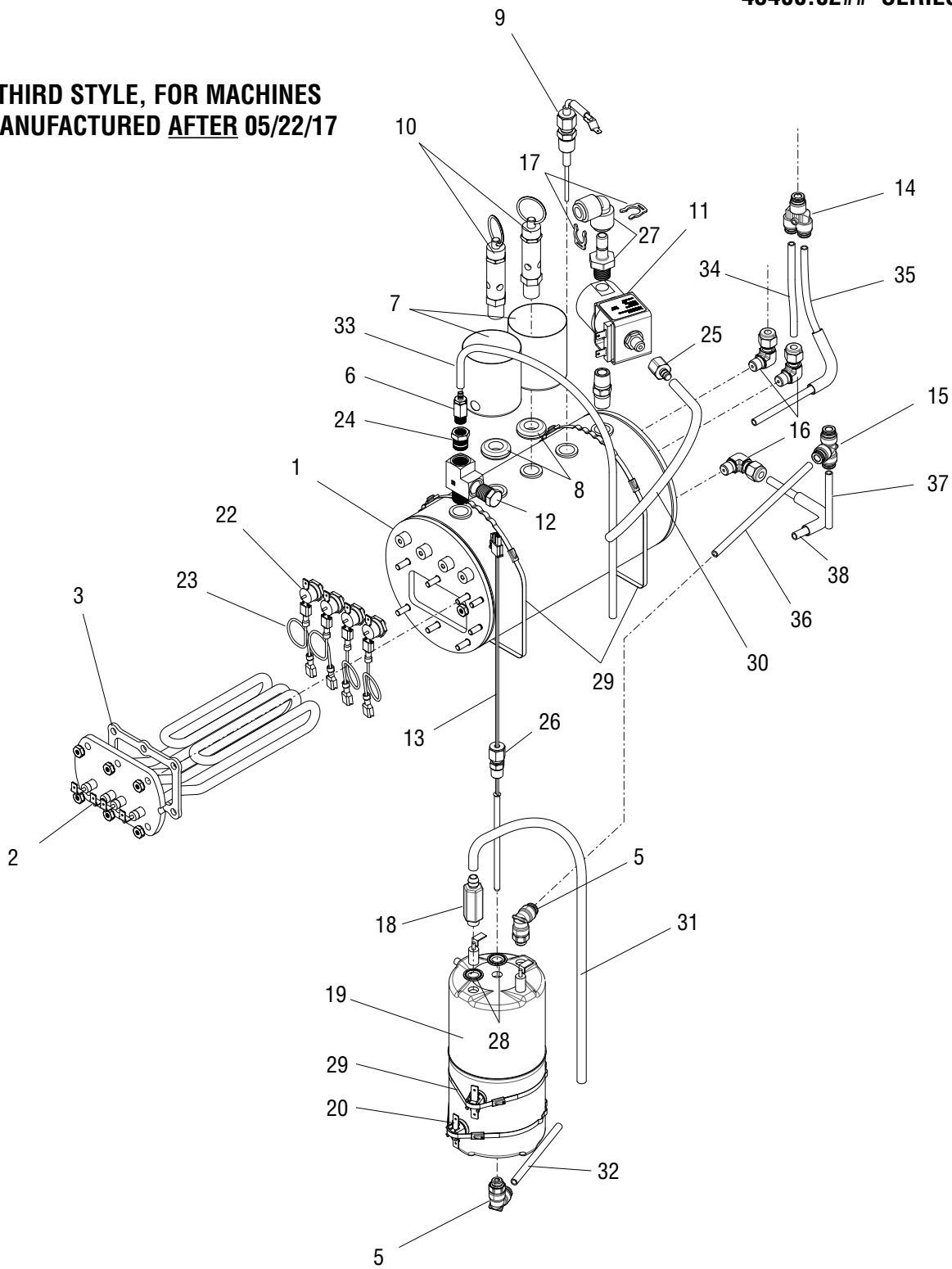


BOILER SECTION

Sure Tamp

43400.02## SERIES

**THIRD STYLE, FOR MACHINES
MANUFACTURED AFTER 05/22/17**



BOILER SECTION

ITEM	PART NO.	QTY.	DESCRIPTION
25	00469.0001	1	Connector
26	51740.0000	1	Fitting (temp probe)
27	53193.0000	1	Elbow and Stem Assembly
28	50552.0000	2	Washer, Pressure Sealing
29	37061.0000	4	Tie (Band)
30		1	Tubing, 9" (Order # 40)
31		1	Tubing, 15" (Order # 40)
32		1	Tubing, 3.625" (Order # 41)
33		1	Tubing, 18" (Order # 39)
34		1	Tubing, 3" (Order # 41)
35		1	Tubing, 8.5" (Order # 41)
36		1	Tubing, 6.125" (Order # 41)
37		1	Tubing, 2.25" (Order # 41)
38		1	Tubing, 4.375" (Order # 41)

The Following Items Are Not Illustrated

39	36630.1000	-	Tubing, 12"
	36630.1001	-	Tubing, 36"
	36630.1002	-	Tubing, 120"
40	41113.1000	-	Tubing, 9"
	41113.1001	-	Tubing, 36"
	41113.1002	-	Tubing, 120"
41	50734.1000	-	Tubing, 12"
	50734.1001	-	Tubing, 36"
	50734.1002	-	Tubing, 120"
42	47167.0001	1	Wiring Harness, Hydraulic Assembly to Main CBA J5
43	50502.0002	1	Wiring Harness, Hydraulic Assembly

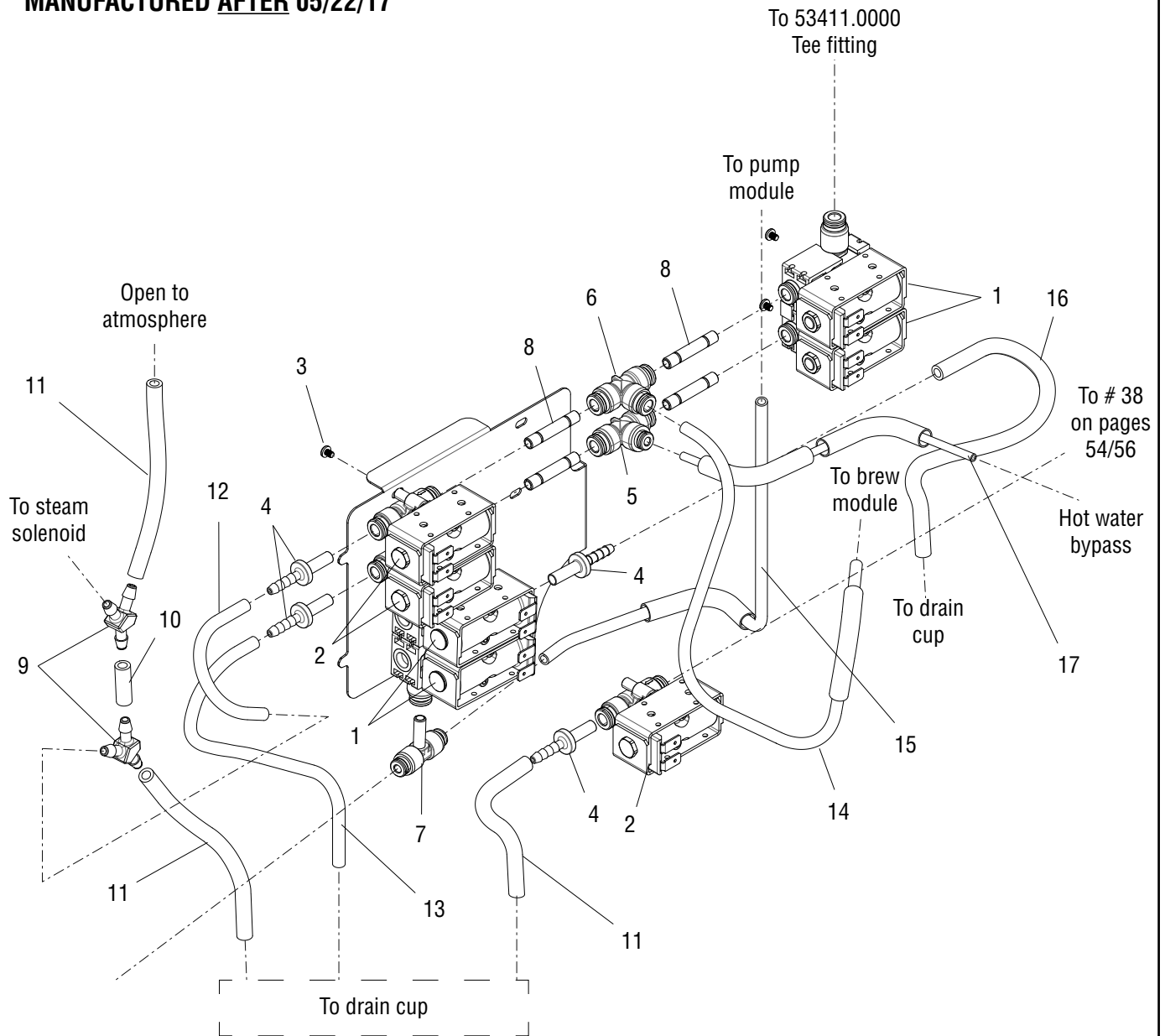


BOILER SECTION - SOLENOID VALVES

**Sure
Tamp**

43400.02## SERIES

**THIRD STYLE, FOR MACHINES
MANUFACTURED AFTER 05/22/17**



BOILER SECTION - SOLENOID VALVES

ITEM	PART NO.	QTY.	DESCRIPTION
1	53405.0000	2	Solenoid Valve, 24V 2-Way Battery
2	53406.0000	3	Solenoid Valve, 24V 2-Way 1.5 mm Orifice
3	24003.0201	8	Screw, Pan Head M3 x 4 ZP
4	53408.0000	4	Fitting, Tube 6mm to Barb
5	53407.0000	1	Fitting, Tee
6	53411.0000	1	Fitting, Tee
7	53410.0000	1	Connector, T-Stem
8	53409.0000	4	Fitting, Union
9	37290.0002	2	Fitting, Y
10		1	Tubing, 0.9"
11		3	Tubing, 4.5"
12		1	Tubing, 3.25" (Order # 18)
13		1	Tubing, 8.5" (Order # 18)
14		1	Tubing, 12.0" (Order # 20)
15		1	Tubing, 14.25" (Order # 20)
16		1	Tubing, 9.0" (Order # 19)
17		1	Tubing, 20.0" (Order # 21)

The Following Items Are Not Illustrated

18	36630.1000	-	Tubing, 12"
	36630.1001	-	Tubing, 36"
	36630.1002	-	Tubing, 120"
19	41113.1000	-	Tubing, 9"
	41113.1001	-	Tubing, 36"
	41113.1002	-	Tubing, 120"
20	50734.1000	-	Tubing, 12"
	50734.1001	-	Tubing, 36"
	50734.1002	-	Tubing, 120"
21	47021.1000	-	Tubing, 12"
	47021.1001	-	Tubing, 36"
	47021.1002	-	Tubing, 120"

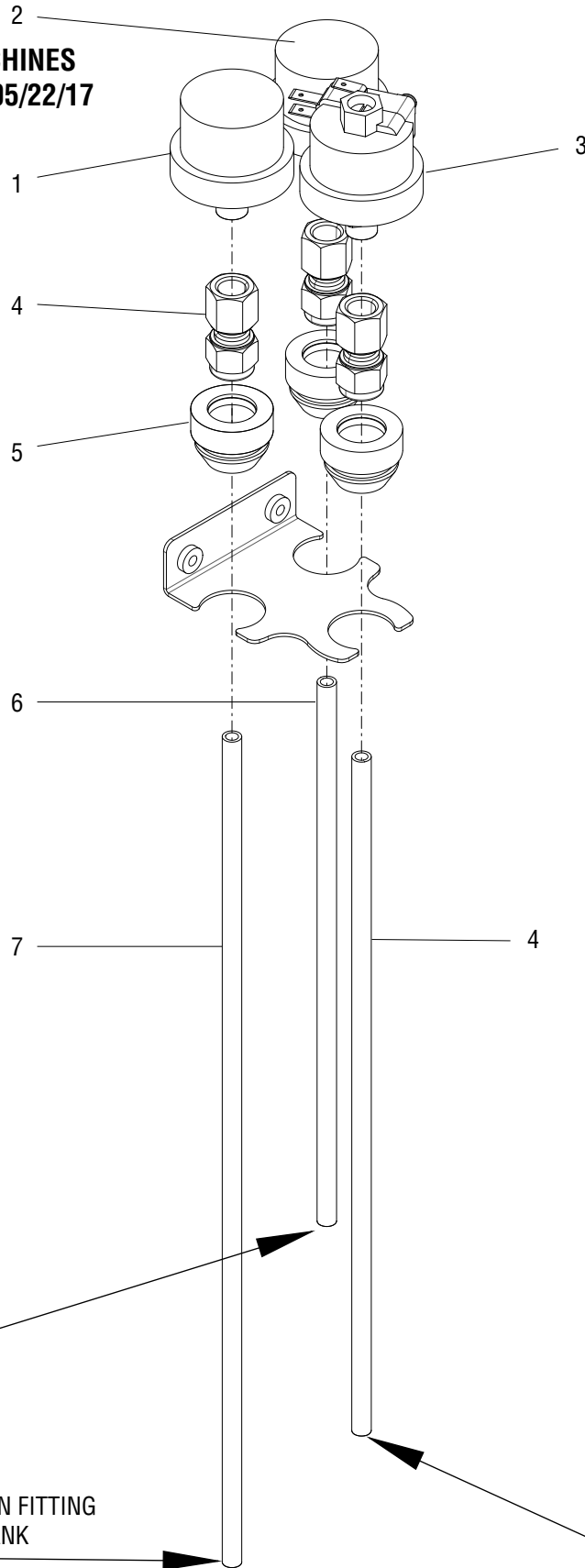


TRANSDUCER ASSEMBLY

**Sure
Tamp**

43400.02## SERIES

**THIRD STYLE, FOR MACHINES
MANUFACTURED AFTER 05/22/17**



TRANSDUCER ASSEMBLY

ITEM	PART NO.	QTY.	DESCRIPTION
1	46104.1000	1	Kit, Transducer 0-3 Bar
2	46103.1000	1	Kit, Transducer 0-10 Bar
3	46531.0000	1	Switch, Pressure
4	52880.0001	3	Fitting
5	37970.0000	3	Grommet
6		1	Tubing, 8.5" (Order # 9)
7		1	Tubing, 12.5" (Order # 9)
8		1	Tubing, 10.0" (Order # 9)

The Following Items Are Not Illustrated

9	50734.1000	-	Tubing, 12"
	50734.1001	-	Tubing, 36"
	50734.1002	-	Tubing, 120"

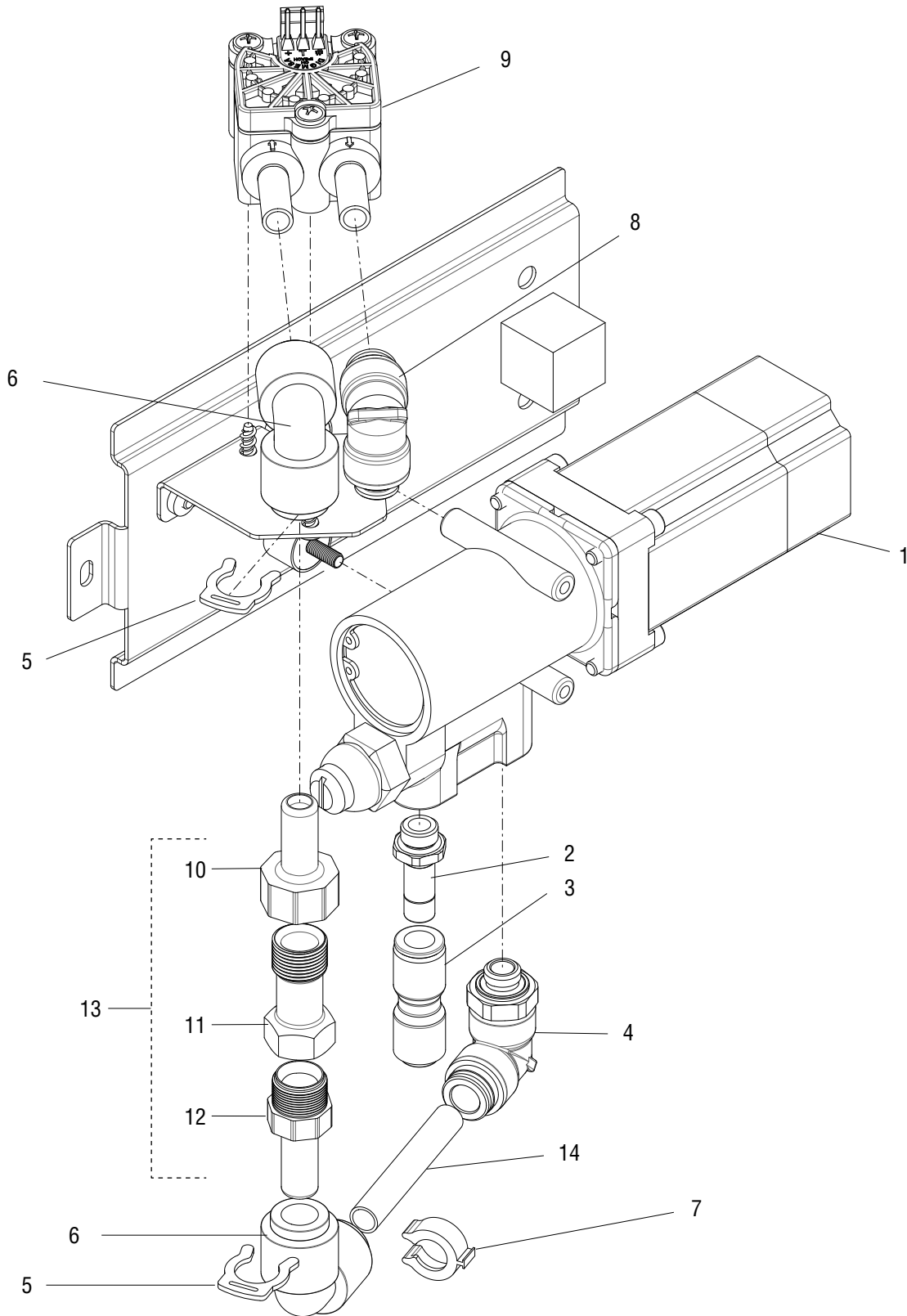


WATER PUMP MODULE

**Sure
Tamp**

**THIRD STYLE, FOR MACHINES
MANUFACTURED AFTER 05/22/17**

43400.02## SERIES



WATER PUMP MODULE

ITEM	PART NO.	QTY.	DESCRIPTION
1	48244.0000	1	Kit, Water Pump w/cable tie
2	47199.0001	1	Fitting
3	50044.0000	1	Fitting, Push to Connect 5/16"
4	53421.0000	1	Fitting
5	34507.0000	2	Clip
6	54152.0000	2	Fitting
7	54154.0000	1	Safety Clip
8	53413.0000	1	Fitting
9	40752.0002	1	Flow Meter
10	49841.0000	1	Adaptor
11	49835.0000	1	Adaptor
12	49842.0000	1	Adaptor
13	49835.1000	1	Kit, Supply Line Adaptor (Includes 10, 11 & 12)
14		1	Tubing, 2.0" (Order # 15)

The Following Items Are Not Illustrated

15	49533.1000	-	Tubing, 1 Foot
	49533.1001	-	Tubing, 3 Feet
	49533.1002	-	Tubing, 10 Feet

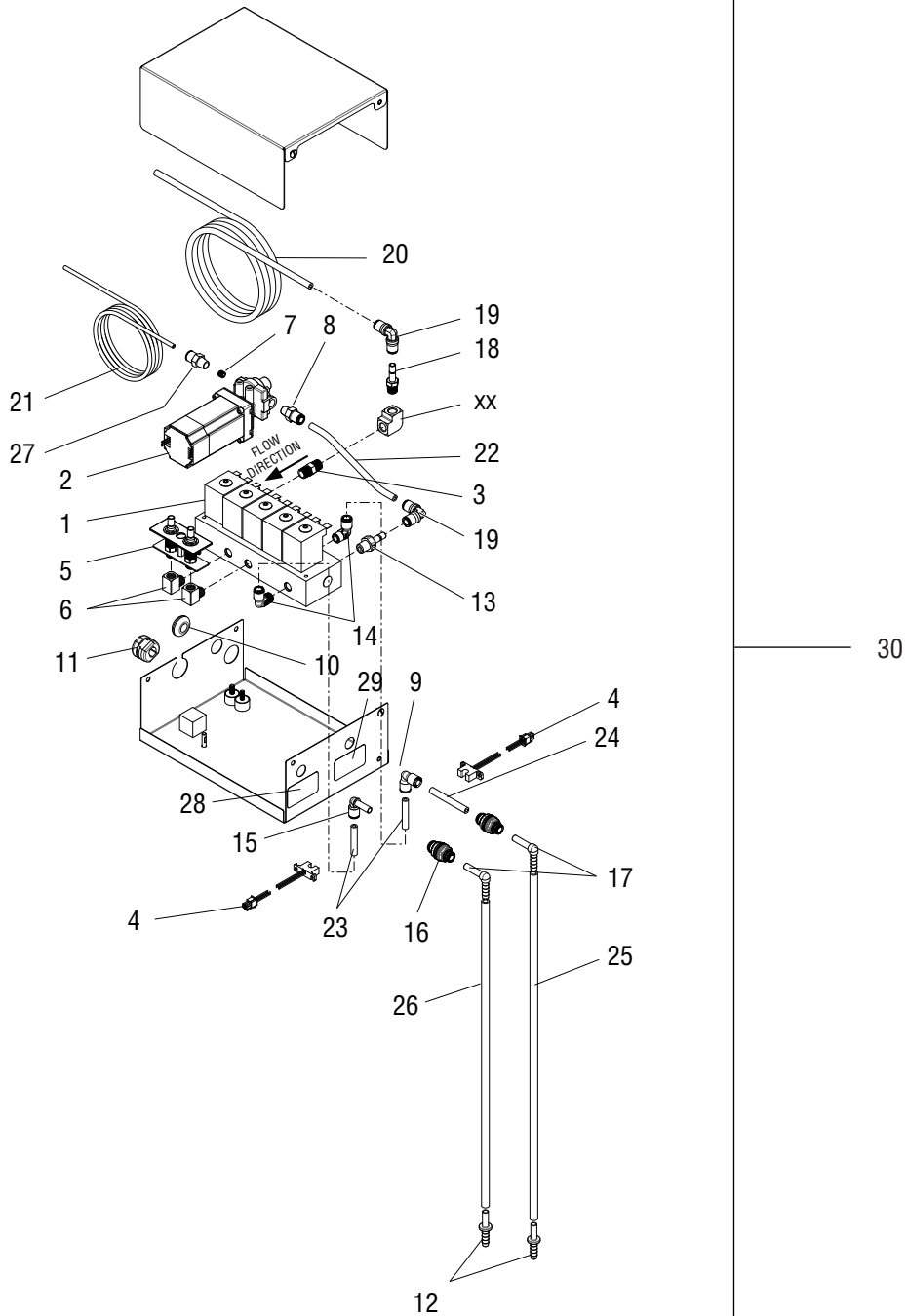


MILK MODULE

**Sure
Tamp**

**THIRD STYLE, FOR MACHINES
MANUFACTURED AFTER 05/22/17**

43400.02## SERIES



MILK MODULE

ITEM	PART NO.	QTY.	DESCRIPTION
1	53122.1000	1	Manifold, Milk
	51445.0000	3	Kit, Solenoid Repair (milk)
	51446.0000	2	Kit, Solenoid Repair (water & air draw)
2	46540.0001	1	Pump
3	48704.0000	1	Check Valve
4	49570.0000	2	Sensor
5	53587.1000	1	Valve Assembly, Air Control
6	48271.0000	2	Fitting, Elbow
7	47067.0002	1	Orifice, Flow Control .028
8	46961.0000	1	Fitting
9	47633.0000	1	Elbow, Push to Connect
10	02536.0000	1	Grommet
11	28683.0000	1	Bushing, Strain Relief
12	52350.0001	2	Fitting
13	47609.0000	1	Fitting
14	46062.0000	2	Elbow, Push to Connect
15	46059.0000	1	Elbow, Push to Connect
16	47756.0000	2	Union, Bulkhead
17	50040.0000	2	Elbow, Push to Connect
18	50175.0000	1	Fitting
19	50069.0000	2	Elbow, Push to Connect
20		1	Tubing, 66.0" (Order # 35)
21		1	Tubing, 64.5" (Order # 36)
22		1	Tubing, 5.5" (Order # 35)
23		2	Tubing, 1.375" (Order # 35)
24		1	Tubing, 2.0" (Order # 35)

CONTINUED

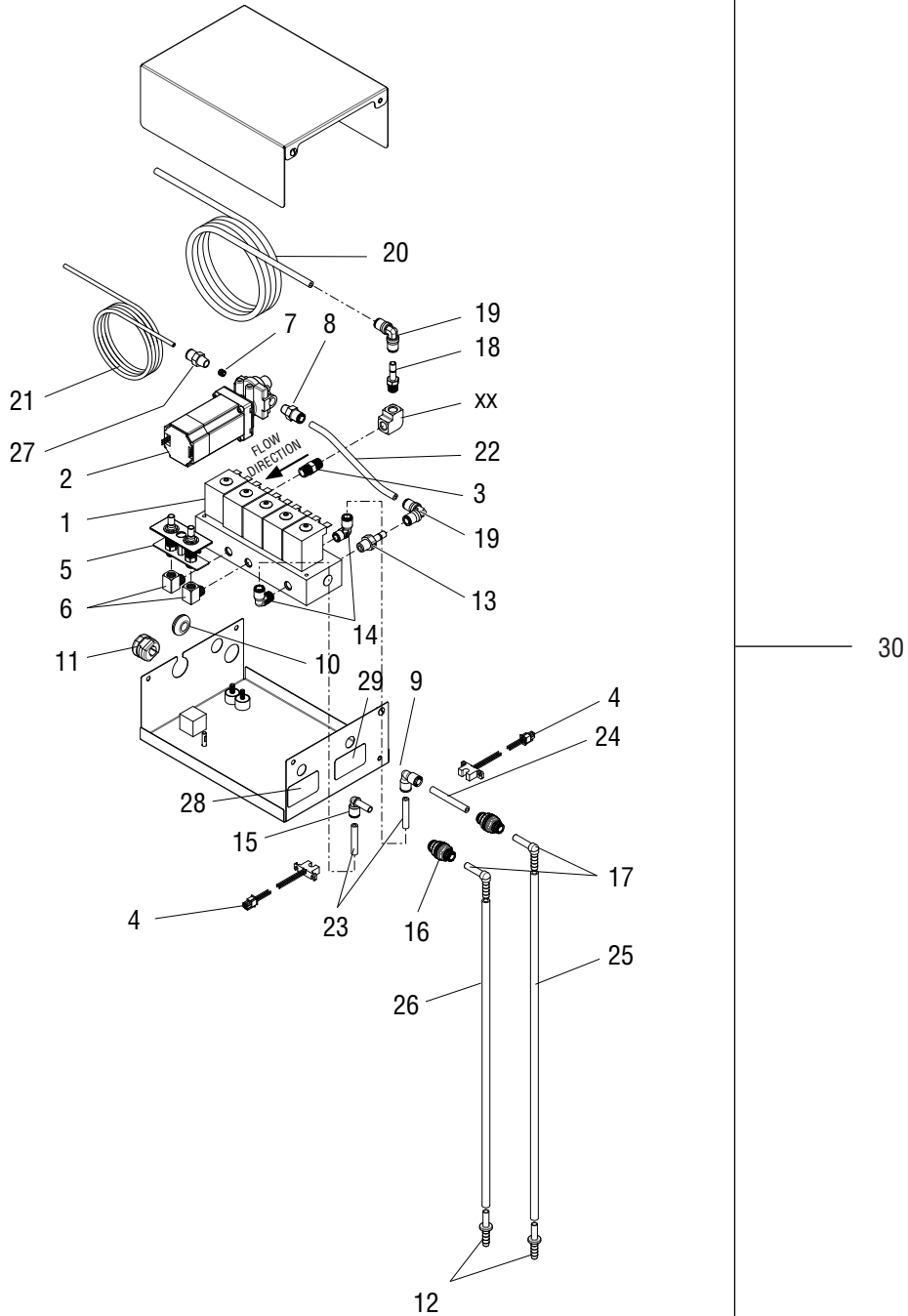


MILK MODULE

Sure Tamp

**THIRD STYLE, FOR MACHINES
MANUFACTURED AFTER 05/22/17**

43400.02## SERIES



MILK MODULE

ITEM	PART NO.	QTY.	DESCRIPTION
25		1	Tubing, 21.0" (Order # 31)
26		1	Tubing, 15.0" (Order # 31)
27	50098.0002	1	Fitting (with item #7 Orifice)
28	48782.0000	1	Decal, Milk 1
29	48782.0001	1	Decal, Milk 2
30	49708.1001	1	Kit, Sure Tamp Milk Module (Includes all illustrated items)

The Following Items Are Not Illustrated

31	41113.1001	-	Tubing, 3 Feet
	41113.1002	-	Tubing, 10 Feet
32	47180.0004	1	Wiring Harness, to Refrigerator
33	47666.0001	1	Wiring Harness, Pump to Main CBA J20
34	51495.0000	1	Kit, Milk Line Replacement (Includes 12, 17, 25 & 26)
35	46556.1000	-	Tubing, 1 Foot
	46556.1001	-	Tubing, 3 Foot
	46556.1002	-	Tubing, 10 Foot
36	47021.1000	-	Tubing, 1 Foot
	47021.1001	-	Tubing, 3 Feet
	47021.1000	-	Tubing, 10 Feet



SUPPLEMENT to Illustrated Parts Catalog for McDonalds Sure Tamp

The following items in McDonalds units are different from those in the current BUNN® Illustrated Parts Catalogs #50521.0000 on BUNN® Web Site at www.bunn.com.

Sure Tamp p/n 43400.0102

Page #	Item #	Bunn P/N	McD P/N	
03	N/A	52794.0002	52794.0003	33 Month PM Kit
05	N/A	N/A	45521.0004	Raised Top Cover
05	06	47033.1003	47033.1005	Puck Bin (Early style)
05	06	47033.1008	47033.1012	Puck Bin (Later style)
05	06	47033.1108	47033.1112	Puck Bin (Retrofit, flip tray)
07	22	44291.1001	44291.1002	Operator Door Kit
07	23	45542.0003	45542.0002	Bezel
13	01	46254.1000	46254.1002	Small Hopper
13	02	45255.1000	46254.1002	Large Hopper
37	12	48833.0000	48833.0002	Tip, Dispense
37	15	51682.0001	51682.0002	Kit, Laminar Tip with Insert
41	01	53122.1000	46830.0001	Milk Manifold
41	12	52350.0001	49691.0000	Fitting, Blue
41	12	52350.0001	49691.0001	Fitting, Red
43	28	48782.0000	49090.0000	Decal, Whole Milk
43	29	48782.0001	49090.0001	Decal, Nonfat
43	30	49708.1000	50157.1000	Kit, Sure Tamp Milk Module
43	34	51495.0000	51496.0000	Kit, Milk Line Replacement

CONTINUED

BUNN-O-MATIC CORPORATION

POST OFFICE BOX 3227
 SPRINGFIELD, ILLINOIS 62708-3227
 PHONE: (217) 529-6601 FAX: (217) 529-6644

CONTINUED

NOT ILLUSTRATED

53630.0000	Kit, Milk Manifold Retrofit
50098.0002	FITTING ASSY, PUSH TO CONNECT W/ ORIFICE (Included in retrofit kit)
47166.0001	Wiring Harness (TDS Sensor to Main CBA-J27)
53291.0000	Lower TDS Sensor Assy w/Fitting
53292.0000	Upper TDS Sensor Assy w/Fitting

Additional parts not listed in parts catalog:

49755.0000	Decal, QR Code McD's
50052.0000	Decal, Bunnserve
36329.0000	Cable Tie
01593.0000	Bushing
00604.0000	Clamp
20984.0000	Bushing
50199.0001	Rinza Tablets

NUMERICAL INDEX

PART NO.	PAGE NO.	PART NO.	PAGE NO.	PART NO.	PAGE NO.
00412.0001.....	47	41193.1002.....	47, 49	46536.0002.....	51
00469.0001.....	59	41193.1004.....	47, 49	46540.0001.....	43, 67
00754.0001.....	5	41480.1000.....	37	46545.0000.....	31, 35
01106.0001.....	51	42278.1050.....	47	46546.0000.....	21, 27, 31, 35
01308.0002.....	11, 15	42916.0024.....	21, 27	46551.0000.....	31, 35
01311.0001.....	47	42916.1000.....	23, 29	46552.0001.....	19, 25, 31, 35, 57
01382.0007.....	5, 11	42916.1001.....	23, 29	46556.1000.....	23, 29, 33, 69
01510.0000.....	11	42916.1002.....	23, 29	46556.1001.....	23, 29, 33, 69
02328.0003.....	5	42916.1004.....	23, 29	46556.1002.....	23, 29, 33, 69
02536.0000.....	43, 67	43122.0002.....	47, 49	46556.1008.....	21, 27
03989.0000.....	49	43516.1004.....	17	46556.1010.....	35
03993.0000.....	5	43913.1001.....	51	46556.1012.....	17
07073.0001.....	5	43960.0002.....	19, 25, 57	46578.0000.....	47
12422.0000.....	47	43966.1002.....	17	46581.0005.....	39
12568.1006.....	19, 25, 57	44023.0001.....	9, 11, 17	46581.0009.....	39
20987.0000.....	51	44023.1000.....	37	46581.0010.....	21, 27
21003.0419.....	19, 25, 57	44207.1003.....	17	46581.0017.....	39
21005.0990.....	19, 25, 57	44291.1001.....	7	46581.0018.....	39
21005.0991.....	19, 25, 57	44298.0001.....	17	46581.1000.....	23, 29, 33, 35, 39
21016.0316.....	19, 25, 57	44667.0000.....	17	46581.1001.....	23, 29, 33, 35, 39
21016.0317.....	19, 25, 57	44690.0001.....	17	46581.1002.....	23, 29, 33, 35, 39
22112.0000.....	21	44694.0000.....	17	46597.1000.....	37
24003.0201.....	61	44749.0000.....	17	46598.0001.....	37
24599.0001.....	47	44761.0000.....	17	46633.0000.....	51
24684.0000.....	19, 25	44939.0000.....	21	46676.1001.....	37
25151.0000.....	5	45542.0004.....	7	46722.1003.....	39
27181.0000.....	51	45542.0008.....	7	46738.1002.....	23, 29
28683.0000.....	43, 67	45549.1002.....	5	46944.0000.....	39
29874.0000.....	31, 41	45549.1003.....	5	46961.0000.....	43, 67
33113.0000.....	21	45551.0000.....	5, 9, 11	47021.1000.....	17, 33, 35, 47, 61
33201.0001.....	11	46005.0000.....	19, 25, 57	47021.1001.....	17, 33, 35, 47, 61
34507.0000.....	31, 41, 47, 57, 65	46005.1101.....	29	47021.1002.....	47, 61
36390.0001.....	51	46008.0000.....	19, 25, 57	47033.1008.....	5
36630.1000.....	33, 35, 59, 61	46030.0001.....	17	47033.1011.....	5
36630.1001.....	33, 35, 59, 61	46033.1000.....	19, 25, 57	47033.1108.....	5
36630.1002.....	33, 35, 59, 61	46058.0000.....	31, 35	47033.1111.....	5
37061.0000.....	21, 27, 59	46059.0000.....	21, 31, 35, 39, 43	47033.1113.....	5
37290.0002.....	61	46062.0000.....	21, 31, 35, 43, 67	47067.0001.....	43
37881.0000.....	5	46063.0000.....	21, 27	47067.0002.....	67
37925.0000.....	31, 35	46069.0003.....	19, 25, 31, 35, 57	47068.0000.....	43
37925.0001.....	31, 35	46103.1000.....	19, 25, 63	47069.0000.....	43
37970.0000.....	63	46104.1000.....	19, 25, 63	47074.0000.....	5
38023.0001.....	49	46179.0000.....	31, 35	47074.8000.....	5
38044.0000.....	7	46181.0003.....	15	47075.0000.....	5
38123.0000.....	51	46249.1001.....	19, 25, 57	47077.0000.....	5
38894.0003.....	51	46254.1000.....	13	47127.0000.....	5
40071.0004.....	9, 47	46254.1003.....	13	47161.0000.....	51
40752.0002.....	39, 41, 65	46255.1000.....	13	47162.0001.....	51
41113.1000.....	59, 61	46255.1003.....	13	47163.0002.....	51
41113.1001.....	59, 61, 69	46427.0000.....	9, 11	47164.0001.....	51
41113.1002.....	59, 61, 69	46435.1000.....	9	47165.0000.....	51
41193.0004.....	49	46461.1004.....	7	47167.0000.....	51
41193.0012.....	49	46524.1003.....	23, 29	47167.0001.....	59
41193.0013.....	47, 49	46531.0000.....	19, 25, 57, 63	47169.0002.....	51
41193.1000.....	47, 49	46532.1000.....	19, 25, 57	47170.0001.....	51
41193.1001.....	47, 49	46534.0001.....	13, 51	47171.0000.....	53

NUMERICAL INDEX

PART NO.	PAGE NO.	PART NO.	PAGE NO.	PART NO.	PAGE NO.
47172.0001.....	53	48712.0001.....	15	50734.1002.....	59, 61, 63
47176.0000.....	53	48717.0000.....	15	50761.1001.....	19, 25, 31, 57
47180.0004.....	69	48743.0000.....	31	50762.0000.....	57
47192.0000.....	47	48745.0000.....	19, 25, 57	50832.0000.....	51
47199.0001.....	25, 39, 41, 65	48781.0000.....	53	50832.0001.....	51
47332.0000.....	31, 35	48782.0000.....	45, 69	50921.0001.....	11
47353.0000.....	9	48782.0001.....	45, 69	50921.1000.....	11
47365.0000.....	21, 27, 31, 35	48791.1000.....	15	51042.0000.....	21, 27
47366.0000.....	53	48803.0000.....	19, 25, 57	51340.0001.....	19, 25, 57
47436.0000.....	27	48833.0000.....	37	51357.1000.....	11
47527.0000.....	51	48895.0000.....	17	51445.0000.....	43, 67
47530.1000.....	49	48913.0000.....	17	51446.0000.....	43, 67
47530.1001.....	49	48985.0000.....	17	51495.0000.....	69
47540.1000.....	49, 49	49016.1000.....	17	51549.1003.....	7
47564.0000.....	17, 47	49133.0000.....	57	51637.0002.....	5
47565.0000.....	17	49204.0000.....	39	51682.0000.....	37
47582.0000.....	5	49226.0002.....	15	51735.0000.....	25, 33, 35
47609.0000.....	43, 67	49435.0000.....	19	51738.0000.....	25
47622.0000.....	5	49438.0000.....	19	51739.0000.....	21, 27
47633.0000.....	43, 67	49511.0001.....	5	51740.0000.....	27, 59
47666.0001.....	69	49512.0000.....	5	51742.0000.....	27
47682.0000.....	19, 25	49533.1000.....	41, 65	51743.0000.....	27
47756.0000.....	39, 43, 67	49533.1001.....	41, 65	51744.0000.....	27
47936.0000.....	9	49533.1002.....	41, 65	51883.0000.....	11
48067.0000.....	21, 27, 31	49570.0000.....	43, 67	51899.1000.....	21, 27
48080.1000.....	11, 47	49593.0000.....	9, 11	51908.0000.....	19, 25
48080.1001.....	9, 11, 33, 47	49685.0001.....	7	51908.0001.....	57
48080.1002.....	9, 11, 33, 47	49708.1000.....	45	52001.0000.....	13
48163.0000.....	19, 25, 57	49708.1001.....	69	52001.8000.....	13
48165.0000.....	31, 35	49835.0000.....	39, 65	52022.0000.....	21, 27
48230.0000.....	37	49835.1000.....	39, 41, 65	52024.0000.....	21, 27
48231.0000.....	37	49841.0000.....	39, 41, 65	52025.0000.....	39
48232.0000.....	37	49842.0000.....	39, 41, 65	52350.0001.....	43, 67
48233.0000.....	17, 37	49857.0000.....	39	52364.0004.....	49
48236.1001.....	5	49858.0000.....	39	52482.0000.....	11
48242.0000.....	51	49861.0000.....	39	52483.0000.....	11
48244.0000.....	39, 41, 65	49955.0000.....	39	52484.0000.....	11
48245.0000.....	5	50009.1002.....	51	52506.1000.....	11
48249.0000.....	17	50040.0000.....	43, 67	52514.1000.....	11
48269.0000.....	21, 27	50044.0000.....	39, 41, 65	52542.0000.....	11
48271.0000.....	45, 47, 67	50052.0000.....	5	52603.0000.....	5
48273.0000.....	27	50069.0000.....	17, 39, 41, 43, 67	52606.0001.....	49
48282.0002.....	57	50098.0002.....	45, 69	52880.0000.....	21, 27
48370.0001.....	5	50123.1000.....	51	52880.0001.....	63
48384.0000.....	51	50175.0000.....	43, 67	52886.0000.....	21, 27
48407.0000.....	31	50202.1000.....	7	52888.0000.....	19, 21, 27
48434.0000.....	9, 47	50211.0000.....	53	52903.0000.....	49
48435.0000.....	9, 47	50212.1000.....	39	53052.0000.....	35
48436.1000.....	39	50328.0000.....	59	53119.1000.....	31, 35
48578.1000.....	51, 53	50498.0000.....	53	53120.1000.....	47
48685.0000.....	31	50502.0000.....	53	53121.1000.....	21, 27, 31, 35, 43
48694.1000.....	51	50502.0002.....	59	53160.0000.....	23, 29
48694.1002.....	51	50551.1000.....	11	53161.0000.....	23, 29
48695.1000.....	51	50552.0000.....	59	53193.0000.....	21, 27, 59
48704.0000.....	43, 67	50734.1000.....	59, 61, 63	53382.0000.....	9
48711.0000.....	9, 11	50734.1001.....	59, 61, 63	53402.0000.....	17

NUMERICAL INDEX

PART NO.	PAGE NO.
53405.0000.....	61
53406.0000.....	61
53407.0000.....	61
53408.0000.....	61
53409.0000.....	61
53410.0000.....	61
53411.0000.....	57, 61
53413.0000.....	65
53414.0000.....	57
53416.0000.....	57
53421.0000.....	41, 65
53546.0000.....	57
53577.0001.....	37
53587.1000.....	67
53632.0000.....	47
53735.0000.....	49
53889.0001.....	7
53925.0000.....	37
54152.0000.....	41, 65
54153.0000.....	41
54154.0000.....	41, 65
54157.1000.....	41
54236.0000.....	7
54237.0000.....	17, 59