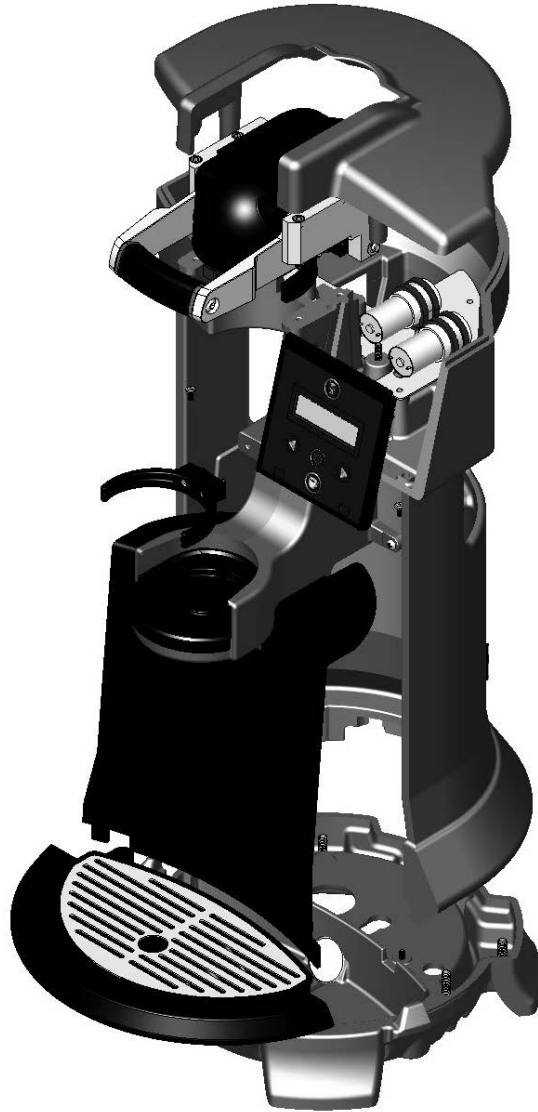


BUNN®

trifecta®



ILLUSTRATED PARTS CATALOG

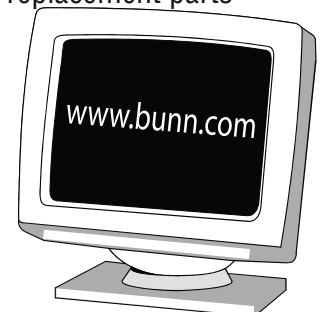
Designs, materials, weights, specifications, and dimensions for equipment or replacement parts are subject to change without notice.

BUNN-O-MATIC CORPORATION

POST OFFICE BOX 3227

SPRINGFIELD, ILLINOIS 62708-3227

PHONE: (217) 529-6601 FAX: (217) 529-6644



BUNN-O-MATIC COMMERCIAL PRODUCT WARRANTY

Bunn-O-Matic Corp. ("BUNN") warrants equipment manufactured by it as follows:

- 1) Airpots, thermal carafes, decanters, GPR servers, iced tea/coffee dispensers, MCR/MCP/MCA single cup brewers, thermal servers and ThermoFresh® servers (mechanical and digital) 1 year parts and 1 year labor.
- 2) All other equipment - 2 years parts and 1 year labor plus added warranties as specified below:
 - a) Electronic circuit and/or control boards - parts and labor for 3 years.
 - b) Compressors on refrigeration equipment - 5 years parts and 1 year labor.
 - c) Grinding burrs on coffee grinding equipment to grind coffee to meet original factory screen sieve analysis - parts and labor for 4 years or 40,000 pounds of coffee, whichever comes first.

These warranty periods run from the date of installation BUNN warrants that the equipment manufactured by it will be commercially free of defects in material and workmanship existing at the time of manufacture and appearing within the applicable warranty period. This warranty does not apply to any equipment, component or part that was not manufactured by BUNN or that, in BUNN's judgment, has been affected by misuse, neglect, alteration, improper installation or operation, improper maintenance or repair, non periodic cleaning and descaling, equipment failures related to poor water quality, damage or casualty. In addition, the warranty does not apply to replacement of items subject to normal use including but not limited to user replaceable parts such as seals and gaskets. This warranty is conditioned on the Buyer 1) giving BUNN prompt notice of

any claim to be made under this warranty by telephone at (217) 529-6601 or by writing to Post Office Box 3227, Springfield, Illinois 62708-3227; 2) if requested by BUNN, shipping the defective equipment prepaid to an authorized BUNN service location; and 3) receiving prior authorization from BUNN that the defective equipment is under warranty.

THE FOREGOING WARRANTY IS EXCLUSIVE AND IS IN LIEU OF ANY OTHER WARRANTY, WRITTEN OR ORAL, EXPRESS OR IMPLIED, INCLUDING, BUT NOT LIMITED TO, ANY IMPLIED WARRANTY OF EITHER MERCHANTABILITY OR FITNESS FOR A PARTICULAR PURPOSE. The agents, dealers or employees of BUNN are not authorized to make modifications to this warranty or to make additional warranties that are binding on BUNN. Accordingly, statements by such individuals, whether oral or written, do not constitute warranties and should not be relied upon.

If BUNN determines in its sole discretion that the equipment does not conform to the warranty, BUNN, at its exclusive option while the equipment is under warranty, shall either 1) provide at no charge replacement parts and/or labor (during the applicable parts and labor warranty periods specified above) to repair the defective components, provided that this repair is done by a BUNN Authorized Service Representative; or 2) shall replace the equipment or refund the purchase price for the equipment.

THE BUYER'S REMEDY AGAINST BUNN FOR THE BREACH OF ANY OBLIGATION ARISING OUT OF THE SALE OF THIS EQUIPMENT, WHETHER DERIVED FROM WARRANTY OR OTHERWISE, SHALL BE LIMITED, AT BUNN'S SOLE OPTION AS SPECIFIED HEREIN, TO REPAIR, REPLACEMENT OR REFUND.

In no event shall BUNN be liable for any other damage or loss, including, but not limited to, lost profits, lost sales, loss of use of equipment, claims of Buyer's customers, cost of capital, cost of down time, cost of substitute equipment, facilities or services, or any other special, incidental or consequential damages.

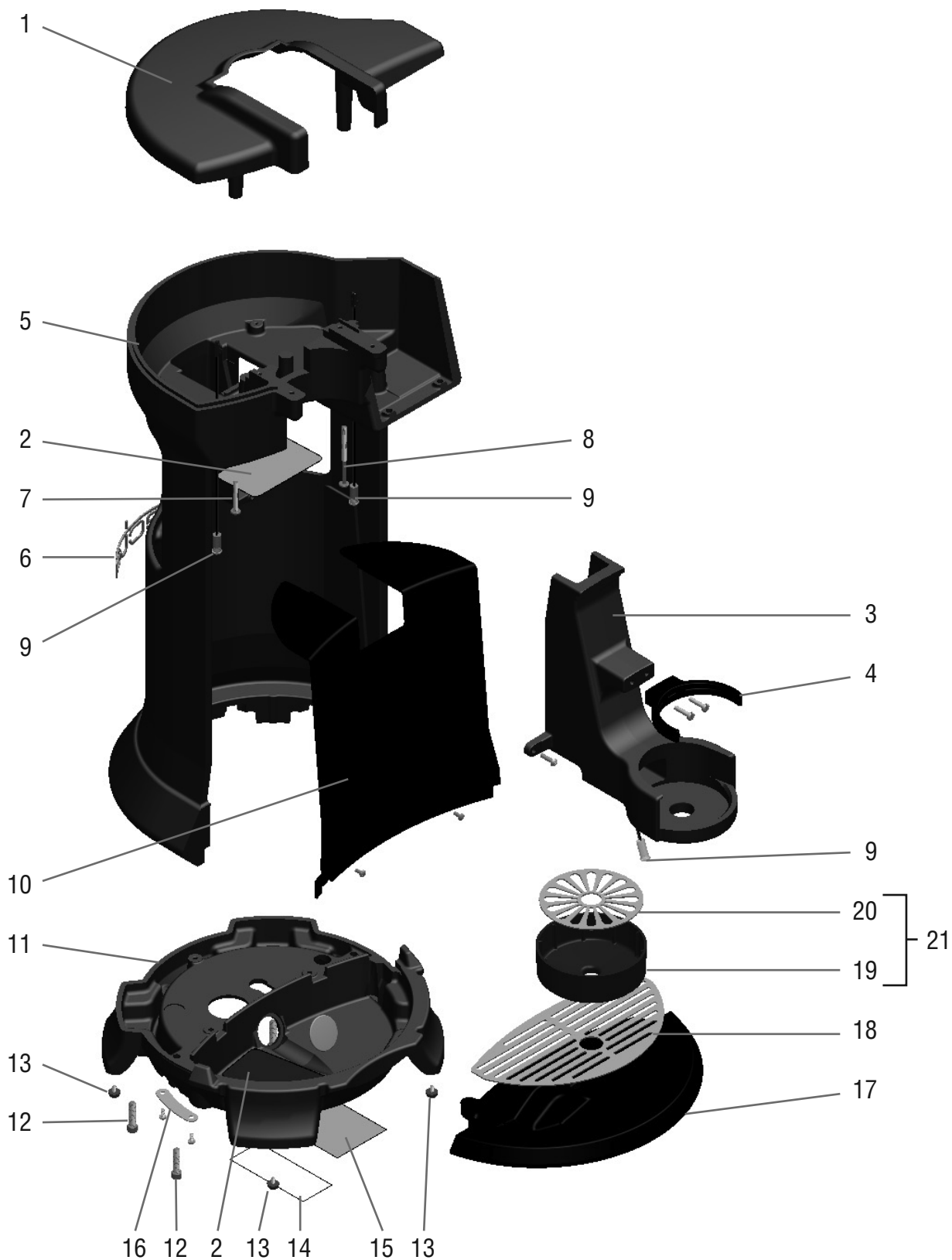
392, A Partner You Can Count On, Air Infusion, AutoPOD, AXIOM, BrewLOGIC, BrewMETER, Brew Better Not Bitter, BrewWISE, BrewWIZARD, BUNN Espresso, BUNN Family Gourmet, BUNN Gourmet, BUNN Pour-O-Matic, BUNN, BUNN with the stylized red line, BUNNlink, Bunn-O-Matic, Bunn-O-Matic, BUNNserve, BUNNSERVE with the stylized wrench design, Cool Froth, DBC, Dr. Brew stylized Dr. design, Dual, Easy Pour, EasyClear, EasyGard, FlavorGard, Gourmet Ice, Gourmet Juice, High Intensity, iMIX, Infusion Series, Intellisteam, My Café, Phase Brew, PowerLogic, Quality Beverage Equipment Worldwide, Respect Earth, Respect Earth with the stylized leaf and coffee cherry design, Safety-Fresh, savemycoffee.com, Scale-Pro, Silver Series, Single, Smart Funnel, Smart Hopper, SmartWAVE, Soft Heat, SplashGard, The Mark of Quality in Beverage Equipment Worldwide, ThermoFresh, Titan, trifacta, TRIFECTA (stylized logo), Velocity Brew, Air Brew, Beverage Bar Creator, Beverage Profit Calculator, Brew better, not bitter., Build-A-Drink, BUNNSource, Coffee At Its Best, Cyclonic Heating System, Daypart, Digital Brewer Control, Element, Milk Texturing Fusion, Nothing Brews Like a BUNN, Picture Prompted Cleaning, Pouring Profits, Signature Series, Sure Tamp, Tea At Its Best, The Horizontal Red Line, Ultra are either trademarks or registered trademarks of Bunn-O-Matic Corporation. The commercial trifacta® brewer housing configuration is a trademark of Bunn-O-Matic Corporation.

TABLE OF CONTENTS

HOUSING	4
BREW CHAMBER	6
SPRAYHEAD	8
LOWER COMPONENT MOUNT.....	10
UPPER COMPONENT MOUNT	12
PLUMBING.....	14
NUMERICAL INDEX	16

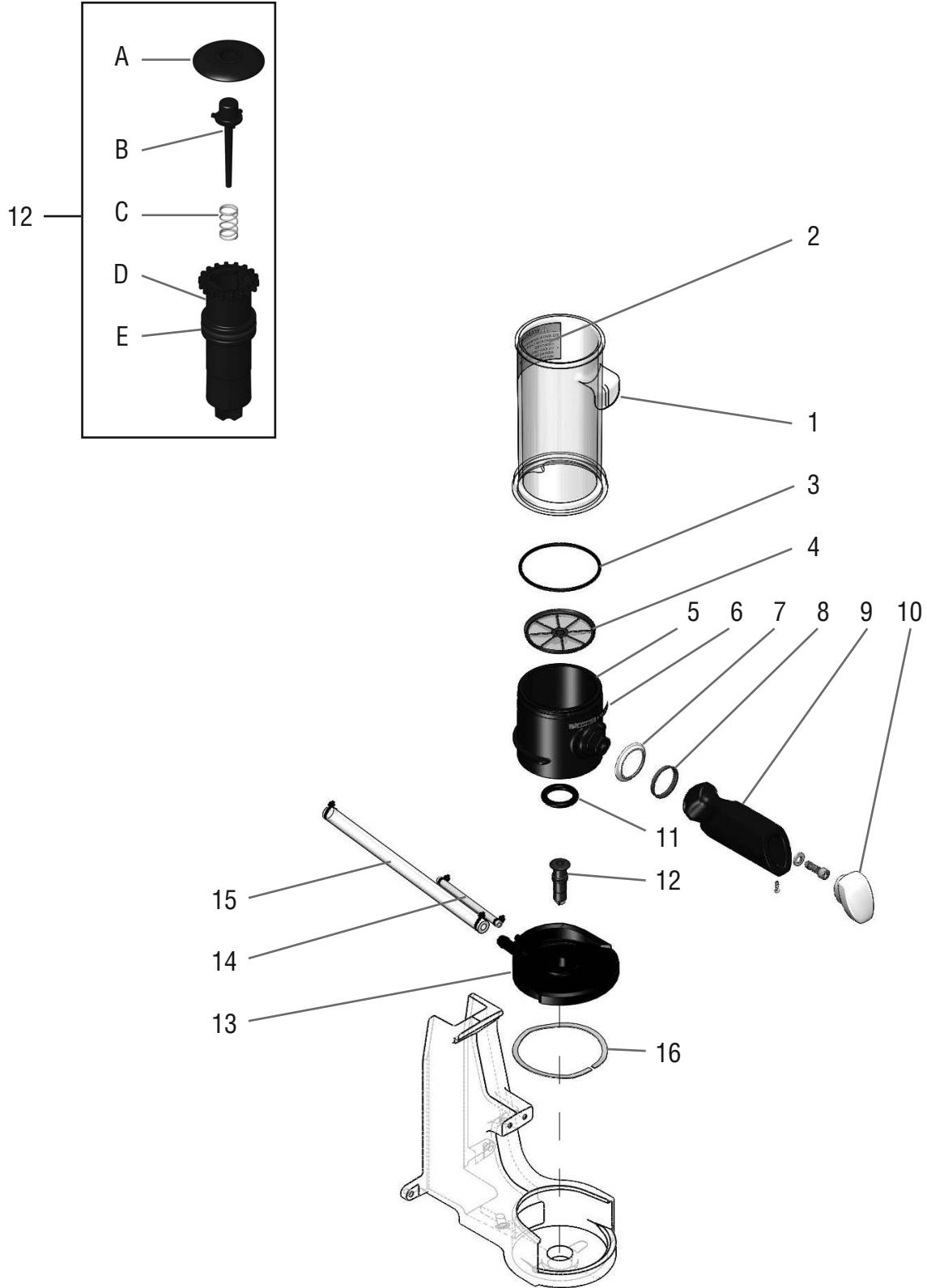
To order coffee filters, water filters, or other accessories, refer to Specification Sheets at www.bunn.com

Fraction	Decimal		Fraction	Decimal
1/16	0.063		9/16	0.563
1/8	0.125		5/8	0.625
3/16	0.188		11/16	0.688
1/4	0.250		3/4	0.750
5/16	0.313		13/16	0.813
3/8	0.375		7/8	0.875
7/16	0.438		15/16	0.938
1/2	0.500		1	1.000



HOUSING

ITEM	PART NO.	QTY.	DESCRIPTION
1	42887.1000	1	Cover, Top (Gray) (Includes # 7 & 8)
	42887.1001	1	Cover, Top (White) (Includes # 7 & 8)
	42887.1002	1	Cover, Top (Black) (Includes # 7 & 8)
2	37881.1000	1	Decal, No User Serviceable Parts
3	42886.1000	1	Arm, Cup Support (Gray) (Includes Screws)
	42886.1001	1	Arm, Cup Support (White) (Includes Screws)
	42886.1002	1	Arm, Cup Support (Black) (Includes Screws)
	01390.0000	2	Screws, Pnh 8-32x.625
4	42404.1000	1	Clamp, Brew Chamber (Includes Screws)
	01370.0000	2	Screws, Pnh 8-32x.75
5	42885.1000	1	Trunk (Gray) (Includes # 2 & 6)
	42885.1001	1	Trunk (White) (Includes # 2 & 6)
	42885.1002	1	Trunk (Black) (Includes # 2 & 6)
6	43009.1000	1	Decal, Trifecta
7	43938.1000	1	Screw, Left Pnh 10-24x1.5"
8	43939.1000	1	Screw, Right Pnh 10-24x2.75"
9	36903.0001	3	Led Assembly (1 per Package)
	42719.1000	1	Wiring Harness (All LED's to CBA)
10	42127.1001	1	Panel, Backsplash (Includes Screws)
	02301.0001	2	Screws, Pnh 6-32x.313
11	42884.1000	1	Base (Gray) Includes # 2 & 13-15
	42884.1001	1	Base (White) Includes # 2 & 13-15
	42884.1002	1	Base (Black) Includes # 2 & 13-15
12	42631.1000	(4)	Screw, Skt Head .25-20x1.00 (Set of 4)
	43280.1000	(4)	Lock Washer, Split (230V Models Only) (Set of 4)
13	40602.1001	(4)	Bumper, 6-32x.25 (Set of 4)
14	00656.0001	1	Decal, Comply To Plumbing Code
15	00986.0002	1	Decal, Warning Electrical
16	42613.1000	2	Strap, Retainer Set of 2 with screws)
	02328.0003	4	Screw, Pnh 6-32x.313
17	42126.1000	1	Cup, Drip
18	42097.1000	1	Grate, Drip Cup
19	42722.1000	1	Kit, Cup Support
20	42723.1001	1	Kit, Drip Grate
21	43963.1000	1	Kit, Drip Grate & Cup Support



BREW CHAMBER

ITEM	PART NO.	QTY.	DESCRIPTION
1	43279.0000	1	Brew Chamber (Includes Decal)
2	43022.1000	1	Decal, Chamber Warning
3	42664.0000	1	O-Ring (Also see item 18)
4	42384.1001	1	Screen, Snap-In
5	42383.1000	1	Cup, Grounds (Includes Decal)
6	37280.1001	1	Decal, Hot Liquids
7	-----	1	Trim, Ring (Chrome) (Order # 23)
8	-----	1	Trim, Ring (Red) (Order # 23)
	-----	1	Trim, Ring (Green) (Order # 23)
9	42438.1000	1	Handle (Includes Screw & Washer)
	42653.0000	1	Screw, Socket Head .25-20x.75
	32566.0000	1	Washer
10	42439.0000	1	Cap, Handle
	42654.0000	1	Screw, Pan head #4 x .375" Hi-Lo
11	42665.0000	1	O-Ring (Also see item 18)
12	42610.1000	1	Check Valve Assembly w/O-Ring
A	42368.0000	1	Umbrella, Check Valve
B	42367.0000	1	Poppet, Check Valve
C	42394.0000	1	Spring, Check Valve
D	42698.0000	1	Valve Assy., Body/Guide
E	43004.0000	1	O-Ring (Also see item 18)
13	42381.1000	1	Insert, Cup Support
14	42918.BULK*	1	Tube 3.5" (Order # 22)
	-----	2	Tie, Cable (Not Available)
15	11707. BULK*	1	Tube 9" (Order # 21)
	-----	2	Tie, Cable (Not Available)
16	42508.1000	1	Spring, Wave

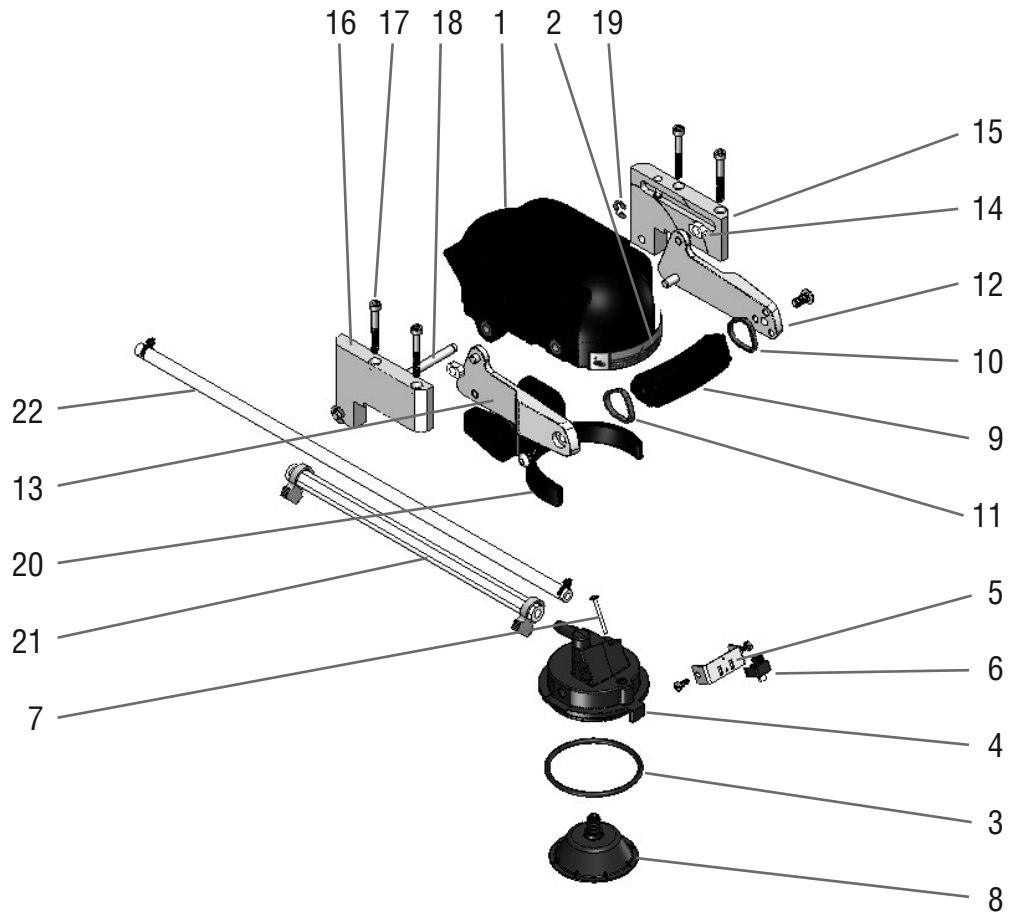


Cable ties not available,
purchase locally.

The Following Items Are Not Illustrated

17	42388.1000	-	Cup Assembly (Red Trim) (Includes 3-11)
	42388.1001	-	Cup Assembly (Green Trim) (Includes 3-11)
18	43292.1000	-	Kit, O-Ring
19	11707.1000	-	Tubing, 1 Foot
	11707.1001	-	Tubing, 3 Feet
	11707.1002	-	Tubing, 10 Feet
	11707.1004	-	Tubing, 250 Feet
20	42918.1000	-	Tubing, 1 Foot
	42918.1001	-	Tubing, 3 Feet
	42918.1002	-	Tubing, 10 Feet
	42918.1004	-	Tubing, 250 Feet
21	42520.1000	-	Kit, Red Trim (Includes Screw)
	42520.1001	-	Kit, Green Trim (Includes Screw)
22	44023.1000	-	Kit, Silicone Lubricant 1 Oz Tube

* Indicates the part number listed is for reference only. See DESCRIPTION for possible service replacement.



SPRAYHEAD

ITEM	PART NO.	QTY.	DESCRIPTION
1	42868.1000	1	Cap, Sprayhead (Black)
2	41177.1001	1	Decal, Warning
3	42774.0000	1	O-Ring (Also see item 24)
4	42379.1000	1	Plug, Sprayhead
5	42612.1000	1	Bracket, Switch Mount (Includes Screws)
	41103.0000	2	Screw, Pan head #8 x .375" Hi-Lo
6	36536.1000	1	Switch, Snap Action
	42720.1000	1	Harness, Switch to CBA
7	42502.1000	1	Pin, Switch Actuator
8	42784.1000	1	Cone Assembly, Sprayhead
9	42446.1000	1	Grip, Clamp Handle (Includes Screws)
	42472.0000	2	Screw, Btnhd #.25 x .5"
10	42513.1000	1	Ring, Trim (Right)
11	42513.1001	1	Ring, Trim (Left)
12	42454.1000	1	Clamp Arm Assembly (Right)
13	42454.1001	1	Clamp Arm Assembly (Left)
14	42403.1000	(2)	Block, Slide (Set of 2)
15	42386.1002	1	Block, Sprayhead Guide (Right)
16	42386.1003	1	Block, Sprayhead Guide (Left)
17	42632.1000	(4)	Screw, Socket head #10-24 x 1.5" (Set of 4)
18	42488.1000	1	Pin, Pivot
19	42814.1000	(2)	C-Clip (Set of 2)
20	42405.1000	1	Lifter, Brew Chamber
21	-----	1	Tubing 17" (Order # 25)
	12422.0006	2	Clamp SNP-8
22	-----	1	Tubing 9.75" (Order # 26)
	-----	2	Tie, Cable (Not Available)

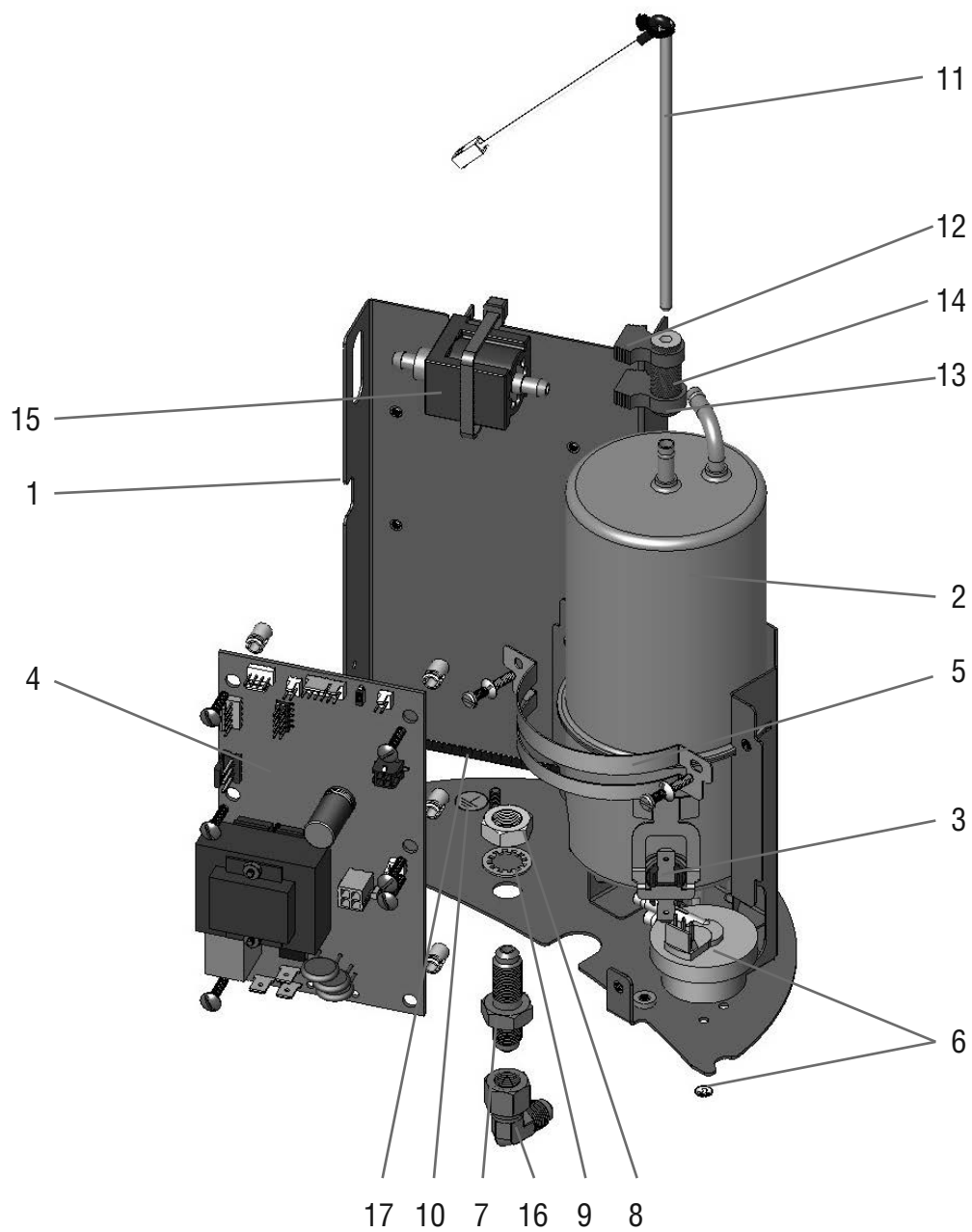


Cable ties not available,
purchase locally.

The Following Items Are Not Illustrated

23	42643.1000	1	Sprayhead Assembly (Black)
24	43292.1000	-	Kit, O-Ring
25	11707.1000	-	Tubing, 1 Foot
	11707.1001	-	Tubing, 3 Feet
	11707.1002	-	Tubing, 10 Feet
	11707.1004	-	Tubing, 250 Feet
26	42916.1000	-	Tubing, 1 Foot
	42916.1001	-	Tubing, 3 Feet
	42916.1002	-	Tubing, 10 Feet
	42916.1004	-	Tubing, 250 Feet
27	44023.1000	-	Kit, Silicone Lubricant 1 Oz Tube

* Indicates the part number listed is for reference only. See DESCRIPTION for possible service replacement.



LOWER COMPONENT MOUNTING

ITEM	PART NO.	QTY.	DESCRIPTION
1	42169.0002	1	Bracket, Component Mount (Includes Ground Decal & Screws)
	01380.0000	2	Screw, Trshd 6-32 x .5"
	02330.0001	1	Screw, Wshr 10-24 x .5"
2	42331.1000	1	Tank, 120V 1450W (Includes # 3, 11-14)
	42331.1001	1	Tank, 230V 1450W (Includes # 3, 11-14)
	42331.1002	1	Tank, 100V 1450W (Includes # 3, 11-14)
3	29329.1000	1	Thermostat, Limit (1 Additional used on 230V)
4	43666.1002	1	CBA, 100V (Includes Screws & Spacers)
	40150.1003	1	CBA, 120V (Includes Screws & Spacers)
	40150.1005	1	CBA, 230V (Includes Screws & Spacers)
	02367.0000	6	Screw, Trshd 6-32 x .625"
5	29081.0002	6	Spacer
	40816.0000	1	Strap, Tank Retaining
6	02328.0003	2	Screw, Pan head #6-32x.313"
	36382.1000	1	Flow Meter (Includes Push Nut)
6	36718.0000	1	Push Nut
	00459.0000	1	Fitting, Bulkhead
7	00459.0000	1	Fitting, Bulkhead
8	00463.0000	1	Nut
9	01532.0000	1	Lock Washer
10	00824.0002	1	Decal, Ground
11	28891.1009	1	Probe, Temperature (Includes # 12-14)
12	12422.0011	1	Clamp SNP-4
13	12422.0000	1	Clamp SNP-8
14	36629.0003*	1	Tubing, .188IDx1.25" (Not Available, Order # 19)
15	39984.0001	1	Solenoid Valve, Vent 12VDC
	-----	2	Tie, Cable (Not Available)
16	00949.0001	1	Elbow
17	41105.0005*	1	Edging, 3.5 Lg
	41105.0006*	2	Edging, 1.125 Lg

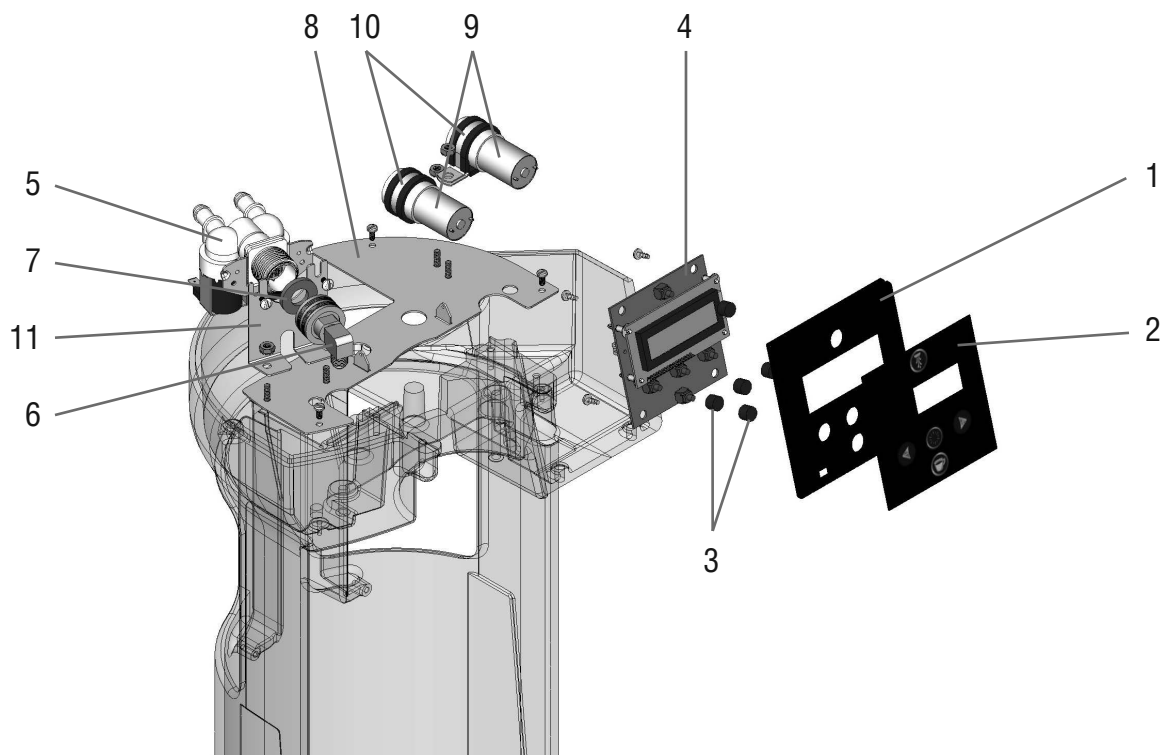


Cable ties not available, purchase locally.

The Following Items Are Not Illustrated

17	42718.1000	1	Lead, BLU/BLK (Limit Thermostat to CBA) (120V Models Only)
	43257.1000	1	Lead, BLU/BLK w/TCO (Limit Thermostat to CBA) (230V Models Only)
	43257.1001	1	Lead, White w/TCO (Limit Thermostat to CBA) (230V Models Only)
18	43292.1000	-	Kit, O-Ring
19	36629.1000	-	Tubing, 1 Foot
	36629.1001	-	Tubing, 3 Feet
	36629.1002	-	Tubing, 10 Feet
	36629.1004	-	Tubing, 250 Feet
20	36381.0005	1	Power Cord 120V
	36381.0006	1	Power Cord 230V
	35260.0000	1	Cable Mount, Adhesive (230V Models Only)
21	42717.1000	1	Wiring Harness (Flow Meter to CBA)
22	42716.1000	1	Wiring Harness (Air Vent/Right Air Pump to CBA)

* Indicates the part number listed is for reference only. See DESCRIPTION for possible service replacement.



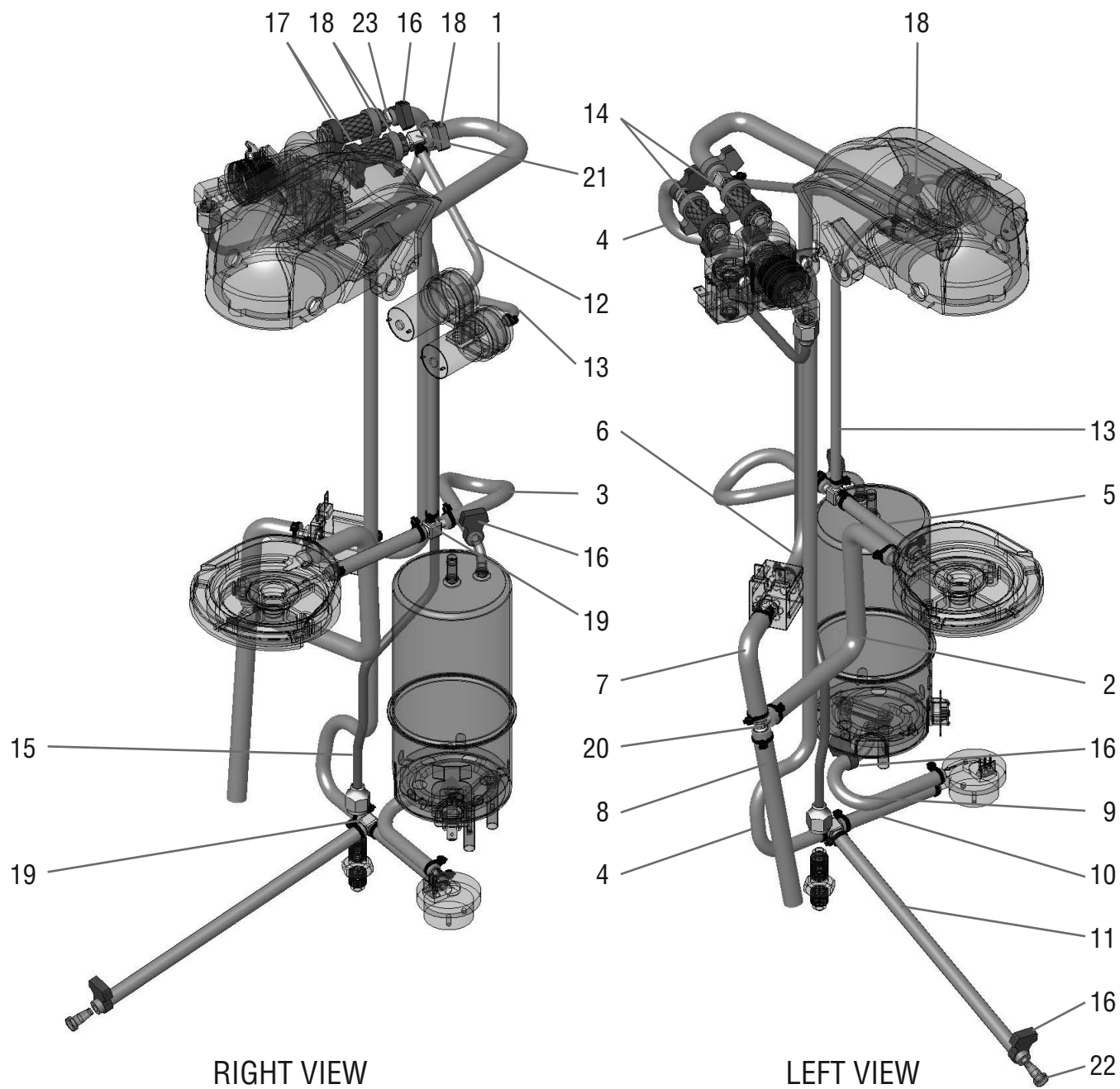
UPPER COMPONENT MOUNTING

ITEM	PART NO.	QTY.	DESCRIPTION	
1	42171.1000	1	Kit, Bezel (Includes Decal & Screws)	
	44646.0002	4	Screw, Pnh #6 x .375"	
2	42490.1000	1	Decal, Switch	
3	41131.1000	(5)	Key Top (Set of 5)	
4	40151.1000	1	CBA Display Assy. RoHS (Autopod, Includes Screws & Keys)	
5	41645.1000	1	Valve, Inlet (w/Flow Control) 120V (Includes Screws)	Black Coil
	41645.1002	1	Valve, Inlet (w/Flow Control) 100V (Includes Screws)	Gray Coil
	43278.1000	1	Valve, Inlet (w/Flow Control & Check Valve) 230V (Includes Screws)	White Coil
	32283.0000	2	Screw, Sst Sltd Pnh M4 X 6mm	
6	37297.1006	1	Elbow (Includes Gasket)	
7	41640.0000	1	Gasket	
8	42195.1000	1	Plate, Top (Includes Screws)	
	02328.0000	3	Screw, Sst Sltd Pnh 6-32x.313	
9	38316.1000	2	Pump Assembly	
10	40935.1000	2	Clamp (Includes Nuts)	
	00970.0000	2	Keps Nut 8-32	
11	42614.1000	1	Bracket, Valve Mount (Includes Nuts)	
	00970.0000	2	Keps Nut 8-32	

The Following Items Are Not Illustrated

12	40355.1000	1	Wiring Harness (Display to CBA)
13	42715.1000	1	Wiring Harness (Left Air Pump to CBA)
14	42716.1000	1	Wiring Harness (Air Vent/Right Air Pump to CBA)
15	42721.1000	1	Wiring Harness (Inlet Valve to CBA)

* Indicates the part number listed is for reference only. See DESCRIPTION for possible service replacement.



PLUMBING

ITEM	PART NO.	QTY.	DESCRIPTION
1	-----	1	Tubing, Sprayhead to Tee, 9.75" (Order # 24)
2	-----	1	Tubing, Cup Holder to Tee, 9.0" (Order # 24)
3	-----	1	Tubing, Tank to Tee, 4.5" (Order # 25)
4	-----	1	Tubing, Reducer to Tee, 23.5" (Order # 25)
5	-----	1	Tubing, Cup Holder to Tee, 3.5" (Order # 25)
6	-----	1	Tubing, Sprayhead to Vent Solenoid, 17.0" (Order # 25)
7	-----	1	Tubing, Vent Solenoid to Tee, 3.25" (Order # 25)
8	-----	1	Tubing, Tee to Drip Tray, 4.5" (Order # 25)
9	-----	1	Tubing, Tank to Flow Meter, 10.0" (Order # 25)
10	-----	1	Tubing, Flow Meter to Tee, 4.5" (Order # 25)
11	-----	1	Tubing, Drain Hose, 8.5" (Order # 25)
12	-----	1	Tubing, Left Air Pump to Tee, 6.0" (Order # 26)
13	-----	1	Tubing, Right Air Pump to Tee, 11.5" (Order # 26)
14	-----	2	Tubing, Braided, 1.6" (Order # 27)
15	42623.1000	1	Tube Assembly, Inlet
16	12422.0003	4	Clamp, SNP-2
17	12422.0005	2	Clamp, SNP-12
18	12422.0006	4	Clamp, SNP-8
19	41089.1000	2	Tee
20	42775.1000	1	Tee
21	42781.1000	1	Tee
22	42806.1000	1	Plug
23	42780.1000	1	Reducer



Cable ties not available,
purchase locally.

The Following Items Are Not Illustrated

24	11707.1000	-	Tubing, 1 Foot
	11707.1001	-	Tubing, 3 Feet
	11707.1002	-	Tubing, 10 Feet
	11707.1004	-	Tubing, 250 Feet
25	42916.1000	-	Tubing, 1 Foot
	42916.1001	-	Tubing, 3 Feet
	42916.1002	-	Tubing, 10 Feet
	42916.1004	-	Tubing, 250 Feet
26	42918.1000	-	Tubing, 1 Foot
	42918.1001	-	Tubing, 3 Feet
	42918.1002	-	Tubing, 10 Feet
	42918.1004	-	Tubing, 250 Feet
27	41115.1000	-	Tubing, 1 Foot
	41115.1001	-	Tubing, 3 Feet
	41115.1002	-	Tubing, 10 Feet
	41115.1004	-	Tubing, 250 Feet

* Indicates the part number listed is for reference only. See DESCRIPTION for possible service replacement.

NUMERICAL INDEX

PART NO.	PAGE NO.	PART NO.	PAGE NO.	PART NO.	PAGE NO.	PART NO.	PAGE NO.
00459.0000	11	41089.1000	15	42623.1000	15	43292.1000	7,9,11
00463.0000	11	41103.0000	9	42631.1000	5	43666.1002	11
00656.0001	5	41105.0005	11	42632.1000	9	43938.1000	5
00824.0002	11	41105.0006	11	42643.1000	9	43939.1000	5
00949.0001	11	41115.1000	15	42653.0000	7	43963.1000	5
00970.0000	13	41115.1001	15	42654.0000	7	44023.1000	7,9
00986.0002	5	41115.1002	15	42664.0000	7	44646.0002	13
01370.0000	5	41115.1004	15	42665.0000	7		
01380.0000	11	41131.1000	13	42698.0000	7		
01390.0000	5	41177.1001	9	42715.1000	13		
01532.0000	11	41640.0000	13	42716.1000	11,13		
02301.0001	5	41645.1000	13	42717.1000	11		
02328.0000	13	41645.1002	13	42718.1000	11		
02328.0003	5,11	42097.1000	5	42719.1000	5		
02330.0001	11	42126.1000	5	42720.1000	9		
02367.0000	11	42127.1001	5	42721.1000	13		
11707.1000	7,9,15	42169.0002	11	42722.1000	5		
11707.1001	7,9,15	42171.1000	13	42723.1001	5		
11707.1002	7,9,15	42195.1000	13	42774.0000	9		
11707.1004	7,9,15	42331.1000	11	42775.1000	15		
12422.0000	11	42331.1001	11	42780.1000	15		
12422.0003	15	42331.1002	11	42781.1000	15		
12422.0005	15	42367.0000	7	42784.1000	9		
12422.0006	9,15	42368.0000	7	42806.1000	15		
12422.0011	11	42379.1000	9	42814.1000	9		
28891.1009	11	42381.1000	7	42868.1000	9		
29081.0002	11	42383.1000	7	42884.1000	5		
29329.1000	11	42384.1001	7	42884.1001	5		
32283.0000	13	42386.1002	9	42884.1002	5		
32566.0000	7	42386.1003	9	42885.1000	5		
35260.0000	11	42388.1000	7	42885.1001	5		
36381.0005	11	42388.1001	7	42885.1002	5		
36381.0006	11	42394.0000	7	42886.1000	5		
36382.1000	11	42403.1000	9	42886.1001	5		
36536.1000	9	42404.1000	5	42886.1002	5		
36629.0003	11	42405.1000	9	42887.1000	5		
36629.1000	11	42438.1000	7	42887.1001	5		
36629.1001	11	42439.0000	7	42887.1002	5		
36629.1002	11	42446.1000	9	42916.1000	9,15		
36629.1004	11	42454.1000	9	42916.1001	9,15		
36718.0000	11	42454.1001	9	42916.1002	9,15		
36903.0001	5	42472.0000	9	42916.1004	9,15		
37280.1001	7	42488.1000	9	42918.1000	7,15		
37297.1006	13	42490.1000	13	42918.1001	7,15		
37881.1000	5	42502.1000	9	42918.1002	7,15		
38316.1000	13	42508.1000	7	42918.1004	7,15		
39984.0001	11	42513.1000	9	43004.0000	7		
40150.1003	11	42513.1001	9	43009.1000	5		
40150.1005	11	42520.1000	7	43022.1000	7		
40151.1000	13	42520.1001	7	43257.1000	11		
40355.1000	13	42610.1000	7	43257.1001	11		
40602.1001	5	42612.1000	9	43278.1000	13		
40816.0000	11	42613.1000	5	43279.0000	7		
40935.1000	13	42614.1000	13	43280.1000	5		