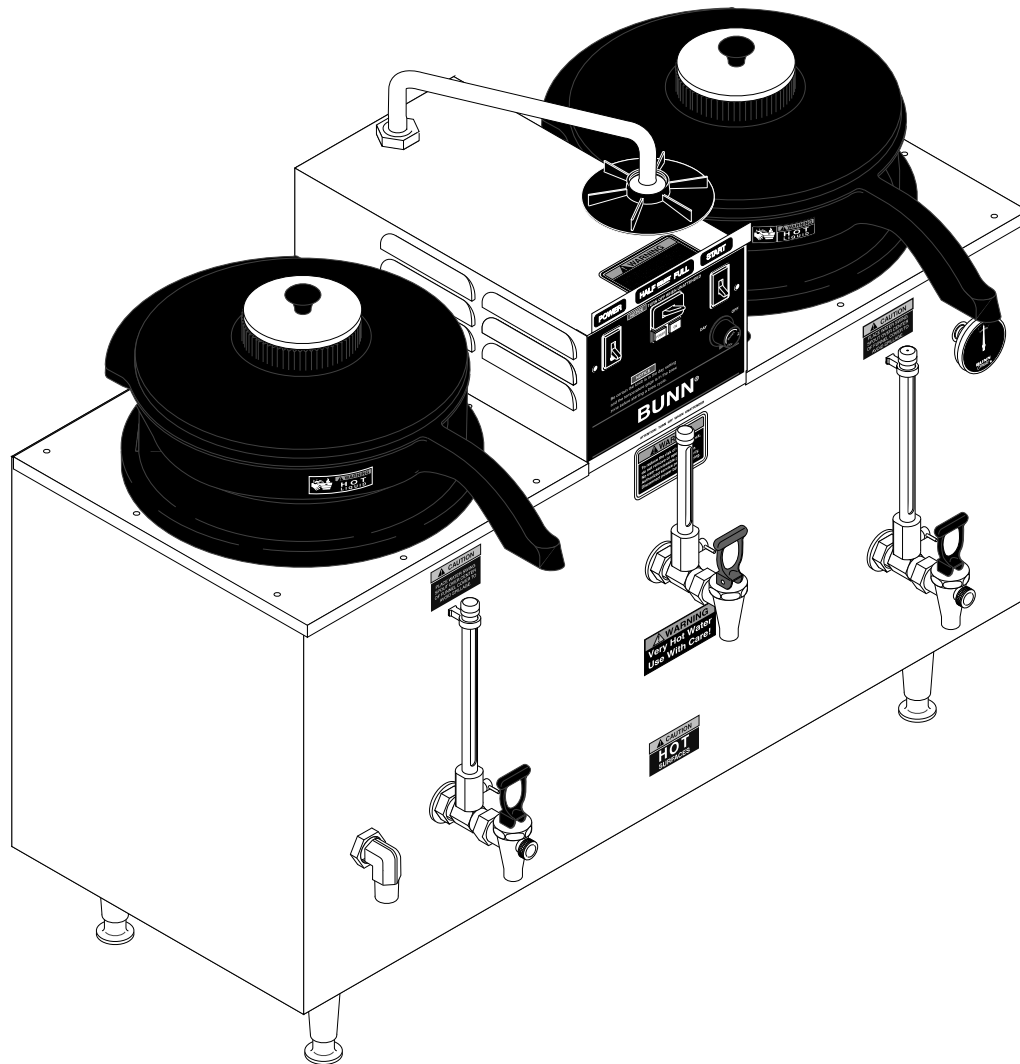


# BUNN®

# *U3/U3A SERIES*



## ILLUSTRATED PARTS CATALOG

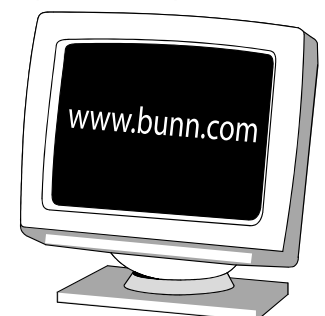
Designs, materials, weights, specifications, and dimensions for equipment or replacement parts are subject to change without notice.

**BUNN-O-MATIC CORPORATION**

POST OFFICE BOX 3227

SPRINGFIELD, ILLINOIS 62708-3227

PHONE: (217) 529-6601 FAX: (217) 529-6644



## BUNN-O-MATIC COMMERCIAL PRODUCT WARRANTY

Bunn-O-Matic Corp. ("BUNN") warrants equipment manufactured by it as follows:

- 1) Airpots, thermal carafes, decanters, GPR servers, iced tea/coffee dispensers, MCP/MCA pod brewers thermal servers and Thermofresh servers (mechanical and digital)- 1 year parts and 1 year labor.
- 2) All other equipment - 2 years parts and 1 year labor plus added warranties as specified below:
  - a) Electronic circuit and/or control boards - parts and labor for 3 years.
  - b) Compressors on refrigeration equipment - 5 years parts and 1 year labor.
  - c) Grinding burrs on coffee grinding equipment to grind coffee to meet original factory screen sieve analysis - parts and labor for 4 years or 40,000 pounds of coffee, whichever comes first.

These warranty periods run from the date of installation BUNN warrants that the equipment manufactured by it will be commercially free of defects in material and workmanship existing at the time of manufacture and appearing within the applicable warranty period. This warranty does not apply to any equipment, component or part that was not manufactured by BUNN or that, in BUNN's judgment, has been affected by misuse, neglect, alteration, improper installation or operation, improper maintenance or repair, non periodic cleaning and descaling, equipment failures related to poor water quality, damage or casualty. In addition, the warranty does not apply to replacement of items subject to normal use including but not limited to user replaceable parts such as seals and gaskets. This warranty is conditioned on the Buyer 1) giving BUNN prompt notice of any claim to be made under this warranty by telephone at (217) 529-6601 or by writing to Post Office Box 3227, Springfield, Illinois 62708-3227; 2) if requested by BUNN, shipping the defective equipment prepaid to an authorized BUNN service location; and 3) receiving prior authorization from BUNN that the defective equipment is under warranty.

**THE FOREGOING WARRANTY IS EXCLUSIVE AND IS IN LIEU OF ANY OTHER WARRANTY, WRITTEN OR ORAL, EXPRESS OR IMPLIED, INCLUDING, BUT NOT LIMITED TO, ANY IMPLIED WARRANTY OF EITHER MERCHANTABILITY OR FITNESS FOR A PARTICULAR PURPOSE.** The agents, dealers or employees of BUNN are not authorized to make modifications to this warranty or to make additional warranties that are binding on BUNN. Accordingly, statements by such individuals, whether oral or written, do not constitute warranties and should not be relied upon.

If BUNN determines in its sole discretion that the equipment does not conform to the warranty, BUNN, at its exclusive option while the equipment is under warranty, shall either 1) provide at no charge replacement parts and/or labor (during the applicable parts and labor warranty periods specified above) to repair the defective components, provided that this repair is done by a BUNN Authorized Service Representative; or 2) shall replace the equipment or refund the purchase price for the equipment.

**THE BUYER'S REMEDY AGAINST BUNN FOR THE BREACH OF ANY OBLIGATION ARISING OUT OF THE SALE OF THIS EQUIPMENT, WHETHER DERIVED FROM WARRANTY OR OTHERWISE, SHALL BE LIMITED, AT BUNN'S SOLE OPTION AS SPECIFIED HEREIN, TO REPAIR, REPLACEMENT OR REFUND.**

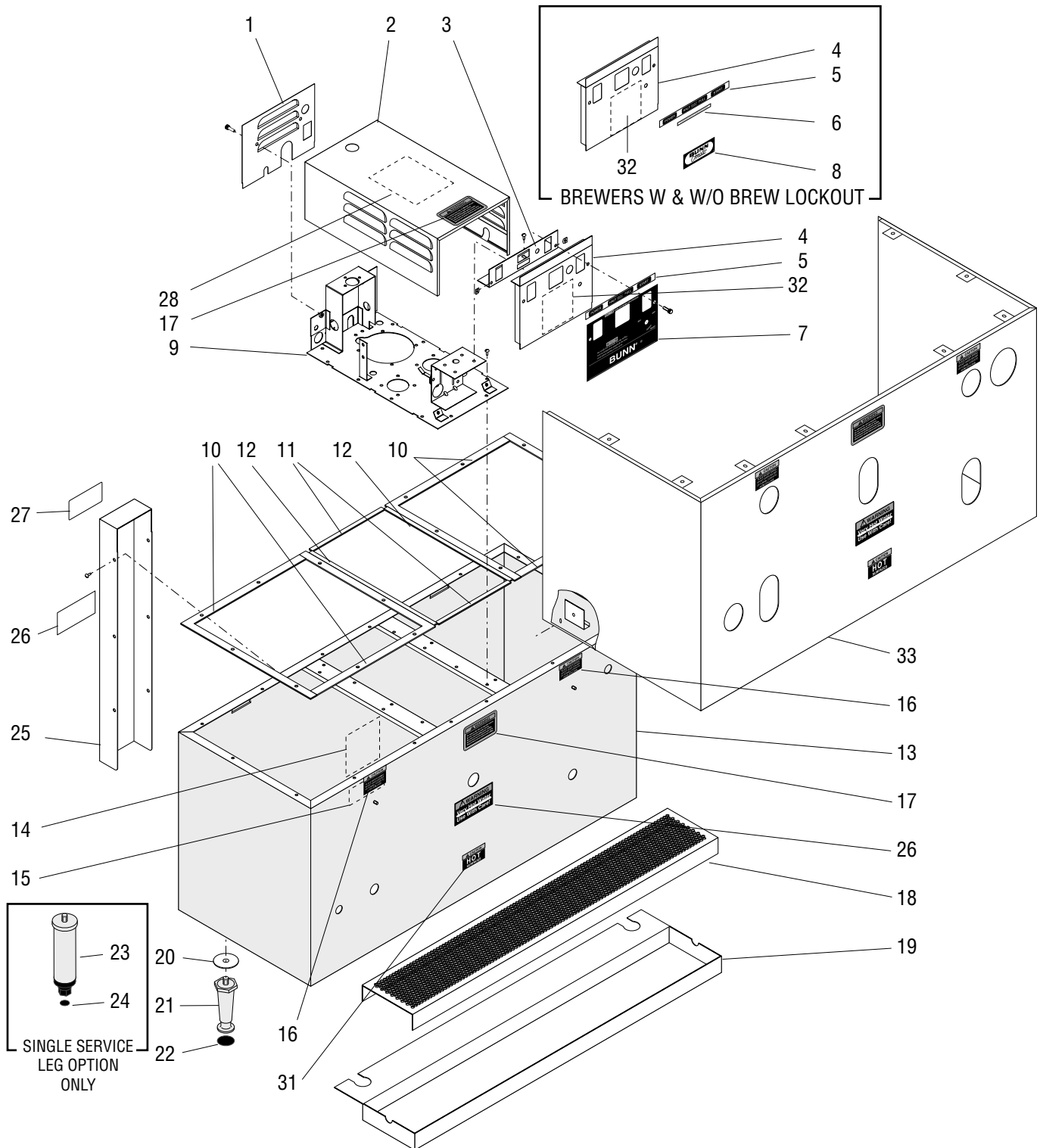
In no event shall BUNN be liable for any other damage or loss, including, but not limited to, lost profits, lost sales, loss of use of equipment, claims of Buyer's customers, cost of capital, cost of down time, cost of substitute equipment, facilities or services, or any other special, incidental or consequential damages.

392, A Partner You Can Count On, Air Infusion, AutoPOD, AXIOM, BrewLOGIC, BrewMETER, Brew Better Not Bitter, BrewWISE, BrewWIZARD, BUNN Espresso, BUNN Family Gourmet, BUNN Gourmet, BUNN Pour-O-Matic, BUNN, BUNN with the stylized red line, BUNNlink, Bunn-O-Matic, Bunn-O-Matic, BUNNserve, BUNNSERVE with the stylized wrench design, Cool Froth, DBC, Dr. Brew stylized Dr. design, Dual, Easy Pour, EasyClear, EasyGard, FlavorGard, Gourmet Ice, Gourmet Juice, High Intensity, iMIX, Infusion Series, Intellisteam, My Café, Phase Brew, PowerLogic, Quality Beverage Equipment Worldwide, Respect Earth, Respect Earth with the stylized leaf and coffee cherry design, Safety-Fresh, savemycoffee.com, Scale-Pro, Silver Series, Single, Smart Funnel, Smart Hopper, SmartWAVE, Soft Heat, SplashGard, The Mark of Quality in Beverage Equipment Worldwide, ThermoFresh, Titan, trifecta, Velocity Brew, Air Brew, Beverage Bar Creator, Beverage Profit Calculator, Brew better, not bitter., BUNNSource, Coffee At Its Best, Cyclonic Heating System, Daypart, Digital Brewer Control, Element, Nothing Brews Like a BUNN, Pouring Profits, Signature Series, Tea At Its Best, The Horizontal Red Line, Ultra are either trademarks or registered trademarks of Bunn-O-Matic Corporation. The commercial trifecta® brewer housing configuration is a trademark of Bunn-O-Matic Corporation.

## TABLE OF CONTENTS

Housing, Panels & Covers .....	4
Funnels, Sprayheads, Filter Baskets & Supports.....	8
Strainer & Solenoid Valve Piping .....	12
Strainer & Solenoid Valve Piping (U3A, after SN U300004095).....	16
Thermostats & Tank Heaters.....	18
Pump/Motor & Mounting (Early Models).....	20
Pump/Motor & Mounting (Late Models).....	22
Swing Spout & Mounting.....	24
Reservoirs, Faucets & Sight Gauges (Single & Double Service Brewers) .....	26
Reservoirs, Faucets & Sight Gauges (Scrambler) .....	30
Outlet Box and Terminal Block .....	34
Electrical Controls & Indicator Lights.....	36
Electrical Controls & Indicator Lights (U3A, after SN U300004095) .....	40
Numerical Index.....	44

**To order coffee filters, water filters, or other accessories, refer to Specification Sheets at [www.bunn.com](http://www.bunn.com)**



## HOUSING, PANELS, COVERS AND CE OPTIONS

\*Single Service (Front Faucets Only)

\*\*Double Service (Front and Rear Faucets)

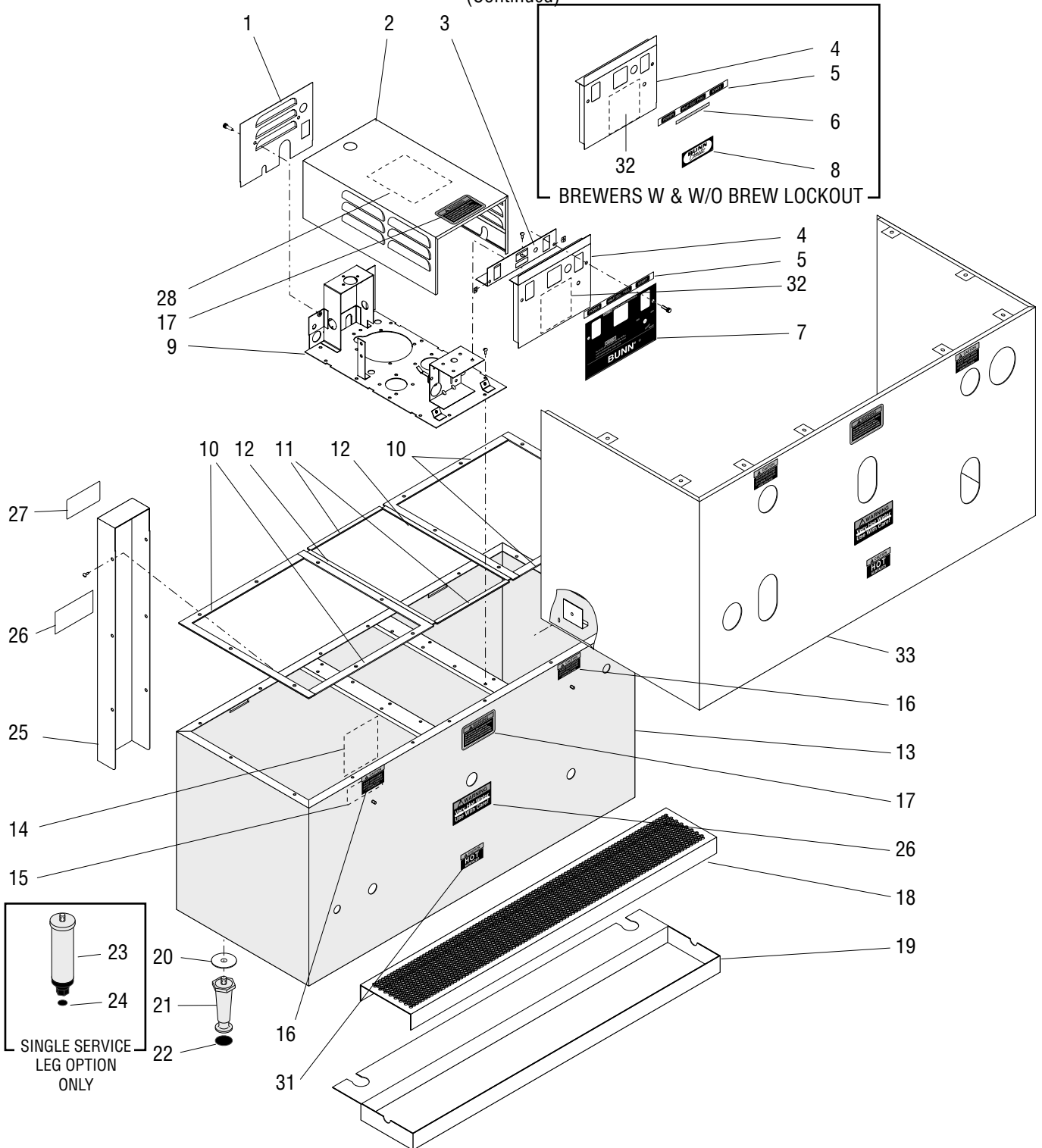
\*\*\*Scrambler (Left and Right Side Faucets)

ITEM	PART NO.	QUANTITY			DESCRIPTION	
		*	**	***		
1	07239.0000	1	-	1	Cover, Cupola - Rear	
	07239.0002	1	-	1	Cover, Cupola - Rear (Models with Master ON/OFF Switch)	
	07240.0000	-	1	-	Cover, Cupola - Rear	
	01317.0000	2	2	2	Screw, Truss Head #8-32 x .5"	
2	28064.1000	1	1	1	Housing, Cupola (All Models w/o Interlock Option) Shown	} Each Includes item 17, Order Schematic Separately
	28064.1004	1	-	-	Housing, Cupola (230V Models w/Interlock Option)	
3	07238.0000	1	1	1	Bracket, Switch Mounting (120/208V, 120/240V, 380V, 440V Brewers & 240V Brewers Prior to #U300004095)	
	27903.0000	1	1	-	Bracket, Switch Mounting (240V Brewer #U300004095 and up)	
	01315.0000	2	2	2	Screw, Truss Head Phillips #8-32 x .38"	
4	07236.0000	1	1	1	Cover, Cupola - Front (Brewers W/Out Brew Lockout)	} Also Order Item 32
	07236.0001	1	1	1	Cover, Cupola - Front (Brewers W/Brew Lockout)	
	07236.0002	1	1	1	Cover, Cupola - Front (Brewers W/External Thermostat Control)	
	02322.0000	2	2	2	Screw, Truss Head. Blk Oxide #8-32 x .50"	
	00917.0000	2	2	2	Fastener, "J" Type #8-32	
5	07248.0000	1	1	1	Decal, Power/Half-Full/Start	
6	00878.0000	1	1	1	Decal, Turn Off When Unattended	
7	21667.0000	1	1	1	Decal, Control (Brewers W/External Thermostat Control)	
	21667.0001	1	1	1	Decal, Control (Brewers W/O External Thermostat Control)	
	21667.0002	1	1	1	Decal, BUNN-O-MATIC (Brewers W & W/Out Brew Lockout)(Effective 10/1/99)	
8	00875.0000	1	1	1	Decal, BUNN-O-MATIC (Brewers W & W/Out Brew Lockout)(Prior to 10/1/99)	
9	07226.0000	1	1	1	Panel Assy, (Early) 120/208V; 120/240V & 3 Phase Brewers w/ Circuit Breaker	
	07226.0002	1	1	1	Panel Assy, 230V CE Brewers w/ Fuse Mounting	
	07226.0003	1	1	1	Panel Assy, 120/208V and 120/240V Brewers (Models with Master ON/OFF Switch)	
	01315.0000	12	12	12	Screw, Truss Head Phillips #8-32 x .38"	
10	07288.0000	4	4	4	Gasket, Reservoir Mounting	
11	07289.0001	2	2	2	Gasket, Panel Mounting - 7.72" LG	
12	07289.0002	2	2	2	Gasket, Panel Mounting - 13.25" LG	
13	07001.1000	1	-	-	Housing W/Decals (Std. - W/4" Adjustable Legs)	} Includes items 14 -17,26 & 31
	07001.1002*	1	-	-	Housing W/Decals (Opt. - W/8" Adjustable Legs) (OBS)	
	07122.1000	-	-	1	Housing W/Decals (W/4" Adjustable Legs)	
	07002.1000	-	1	-	Housing W/Decals (W/4" Adjustable Legs)(Includes items 16,17,26 & 31)	
14	00831.0000	1	1	1	Decal, Warning - Electrical	
15	00656.0000	1	1	1	Decal, Comply to Plumbing Code	
16	29299.0000	2	2	2	Decal, Caution Swing Spout	

(Continued)

\* Indicates the part number listed is for reference only. See DESCRIPTION for possible service replacement.

(Continued)

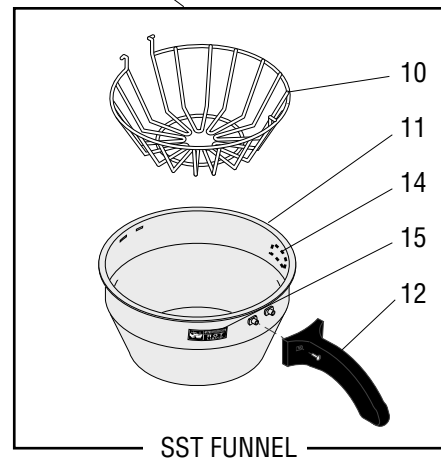
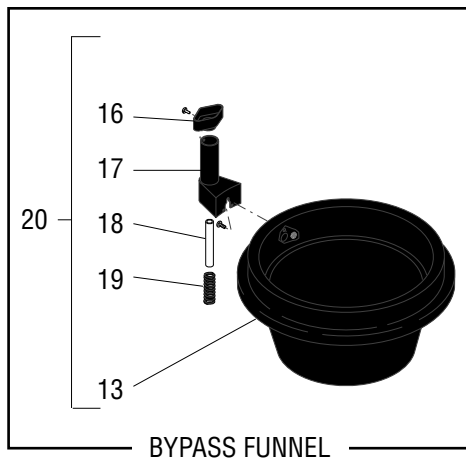
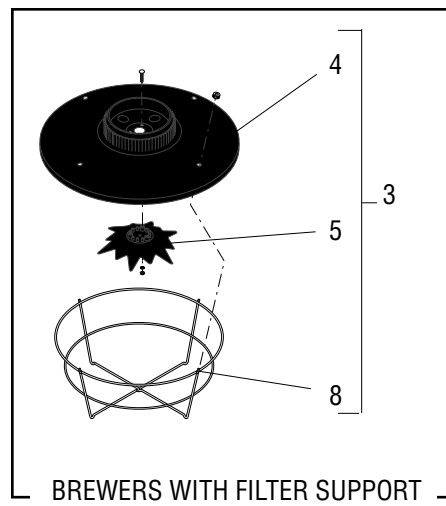
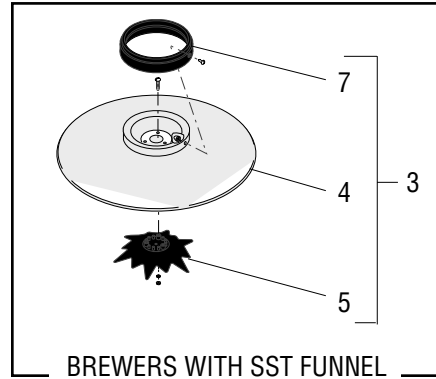
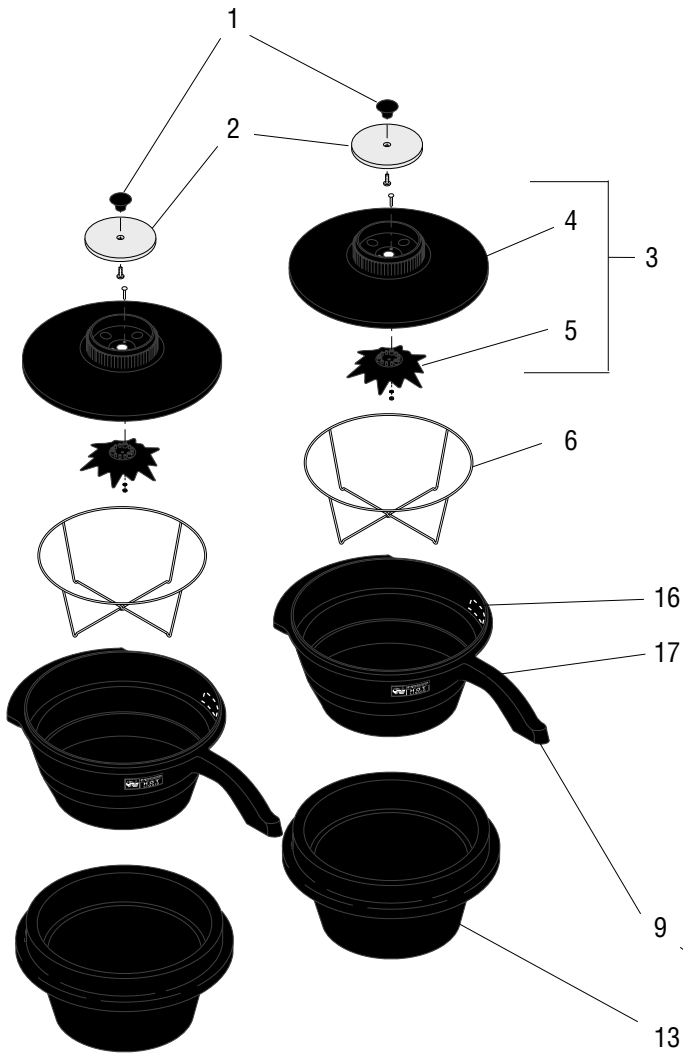


## HOUSING, PANELS, COVERS AND CE OPTIONS

\*Single Service (Front Faucets Only)  
 \*\*Double Service (Front and Rear Faucets)  
 \*\*\*Scrambler (Left and Right Side Faucets)

ITEM	PART NO.	QUANTITY			DESCRIPTION
		*	**	***	
17	37881.0000	2	2	2	Decal, No Serviceable Parts
18	07285.0000	1	1	-	Cover, Drip Tray } Optional. See item 30
19	07286.0000	1	1	-	
20	01526.0000	4	4	4	Washer, Flat .438" I.D. x 1.88" O.D. (Brewers W/4" Adjustable Legs)
21	00502.0000	4	4	4	Leg, 4" Adjustable - Nickel } See Item 29
22	03996.0000	4	4	4	
23	07222.0000	4	-	-	Leg, 8" Adjustable } Optional
24	03993.0000	4	-	-	
25	07039.1000	-	1	-	Cover, Rear Utility (Includes items 14,15 & 26)
	01311.0000	-	6	-	
26	12593.0000	1	2	2	Decal, Warning - Very Hot Water
27	00875.0000	-	1	2	Decal, BUNN-O-MATIC
28	10492.0000	1	1	1	Schematic, Electrical 120/208V & 120/240V - 3 Wire 1 Phase 60 Hz
	10494.0000	1	1	1	Schematic, Electrical 208 or 240 - 3 Wire 3 Phase 50/60 Hz
	10495.0000	1	1	1	Schematic, Electrical 380V or 440V - 4 Wire 3 Phase 50/60 Hz
	10495.0001	1	1	1	Schematic, Electrical 380V - 3 Wire 3 Phase 50/60 Hz
29	13255.0002	-	-	-	Kit, Leg 4" Adjustable Nickel (Includes items 21 & 22)
30	07284.0000	-	-	-	Drip Tray Assembly (Includes items 18 & 19) Optional
31	12555.0000	1	2	2	Decal, Caution - Hot Surfaces
32	32540.0001	1	1	1	Decal, Batch Set (Digital Timer - Late Models)
33	32859.1000	1	-	-	Shroud (Includes Items 16, 17, 26, 31) Optional
	01315.0000	8	-	-	

\* Indicates the part number listed is for reference only. See DESCRIPTION for possible service replacement.





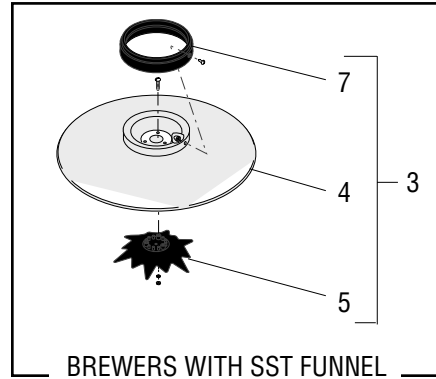
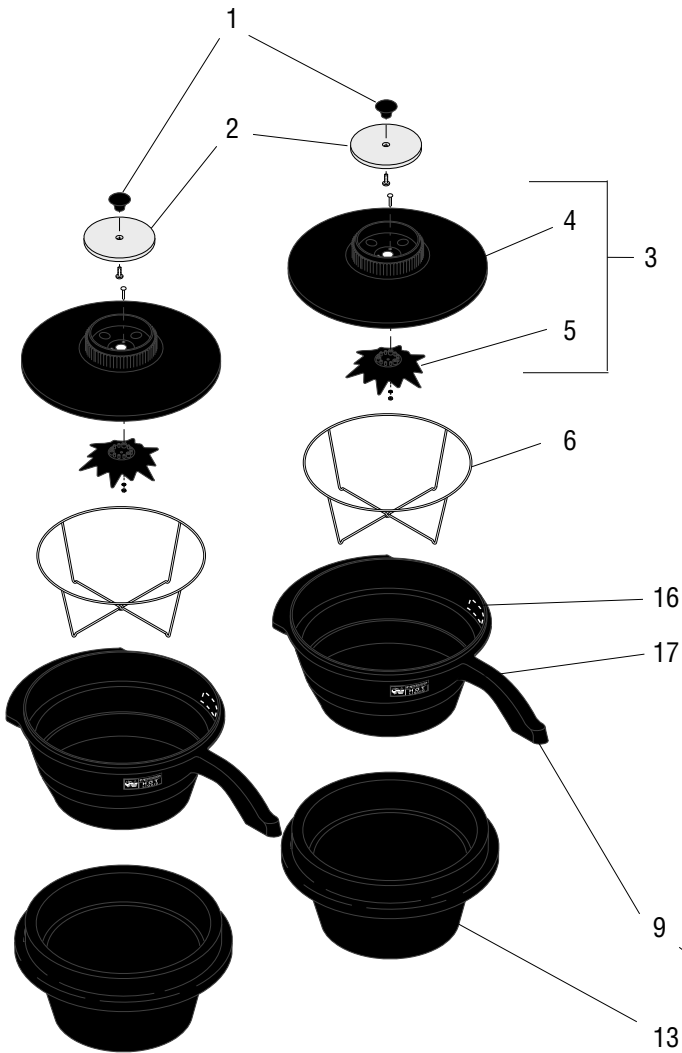
## FUNNELS, SPRAYHEADS, FILTER BASKETS AND SUPPORTS

ITEM	PART NO.	QTY.	DESCRIPTION
1	00725.0000	2	Knob, Plastic - Black
	01315.0000	2	Screw, Truss Head Phillips #8-32 x .38"
2	01192.0000	2	Cover
3	07023.0003	2	Cover Assy, Plastic - Black (Includes items 4 & 5)
	07023.0002*	1	Cover Assy, Plastic - Orange (CLOSEOUT, Order Black)
	07177.0003	2	Cover Assy, Plastic - Black (Brewers W/Filter Support)(Includes items 4, 5 & 8)
	07177.0002*	1	Cover Assy, Plastic - Orange (Brewers W/Filter Support)(CLOSEOUT, Order Black)
	20508.0001	2	Cover Assy, SST (Includes items 4, 5 & 7)
	20508.0003	2	Cover Assy, SST (Brewers W/Filter Support)(Includes items 4, 5, 7 & 8)
4	-----	2	Cover, Plastic - Black (Not available. Order item 3)
	-----	1	Cover, Plastic - Orange (Not available. Order item 3)
	-----	2	Cover, Plastic - Black (BrewersW/ Filter Support)(Not available. Order item 3)
	-----	1	Cover, Plastic - Orange (Brewers W/ Filter Support )(Not available. Order item 3)
	-----	2	Cover, SST (Not available. Order item 3)
	-----	2	Cover, SST (Brewers W/Filter Support)(Not Available. Order item 3)
5	07024.1002	2	Sprayhead, Plastic - Black (Includes hardware below, except for acorn nuts)
	01339.0000	6	Screw, Pan Head #6-32 x .625"
	01520.0000	6	Lockwasher, Split #6 } Brewers W/Plastic
	00906.0000	6	Nut, Hex #6-32 } Funnel Covers
	02319.0000	6	Nut, Acorn #6-32 (Brewers W/SST Funnel Cover)
6	07175.0000	2	Filter Housing Stand (Not used on brewers w/filter support or SST funnels)
7	20507.0001	2	Ring, Funnel Cover, Plastic - Black (Brewers W/SST Funnel Cover)
	02328.0004	4	Screw, Pan Head #6-32 x .312"
	02319.0000	4	Nut, Acron #6-32
8	07176.0000	2	Basket, Filter Support
9	07022.0012	2	Funnel W/Decals, Plastic - Black (Includes items 16 & 17)
	07022.0013*	1	Funnel W/Decals, Plastic - Orange (OBSOLETE, Order Black)
	-----	2	Funnel Assy, SST (Includes items 10, 11, 12, 16 & 17)
10	20505.0000	2	Basket, Filter
11	20502.0000*	2	Funnel, SST
12	21472.0000*	2	Handle, Plastic - Black
	01327.0000	4	Screw, Pan Head #10-32 x .38"
13	07021.0002	2	Support, Funnel Plastic - Black (Refer to Item 20)
	07021.0004	1	Support, Funnel Plastic - Orange
	-----	2	Support, Funnel Plastic - Black (Refer to item 20)(Brewers W/By-Pass)
	20504 .0000	2	Support, Funnel SST (Refer to Item 20)
	-----	2	Support, Funnel SST (Refer to item 20)(Brewers W/By-Pass)
14	03408.0000	2	Decal, Warning - Remove Funnel Slowly
15	03409.0000	2	Decal, Warning - Hot Liquid

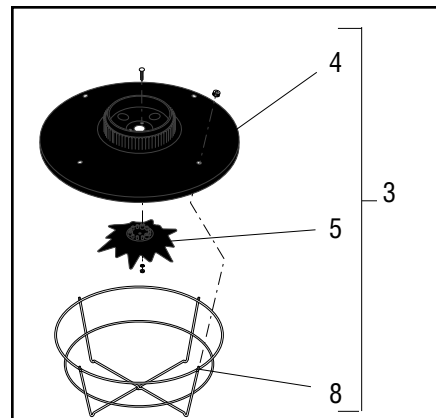
Also see Item 23

**(Continued)**

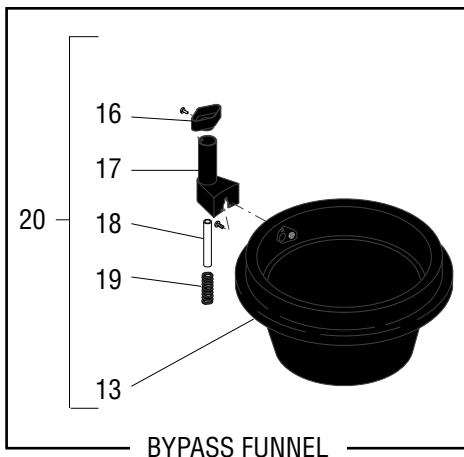
\* Indicates the part number listed is for reference only. See DESCRIPTION for possible service replacement.



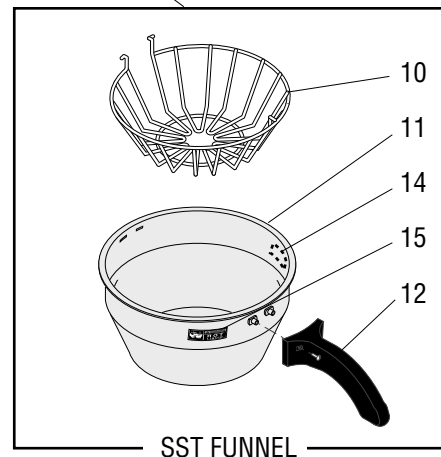
BREWERS WITH SST FUNNEL COVER



BREWERS WITH FILTER SUPPORT



BYPASS FUNNEL



SST FUNNEL

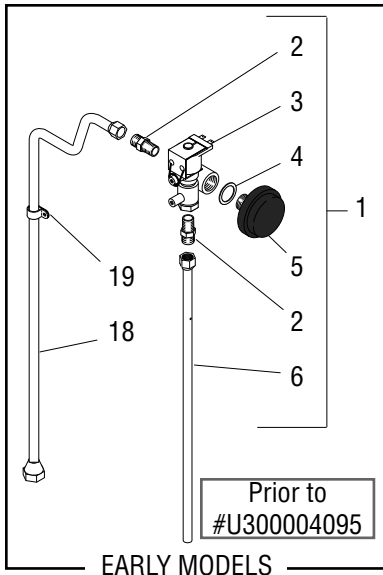
## FUNNELS, SPRAYHEADS, FILTER BASKETS AND SUPPORTS

ITEM	PART NO.	QTY.	DESCRIPTION
16	07092.1003	1	Adaptor, Water By-Pass - Black
	01360.0002	1	Screw, #6 x .375", Plastite
17	07027.1003	1	Housing, Water By-Pass - Black
	01315.0000	1	Screw, Truss Head Phillips #8-32 x .38"
	00908.0000	1	Nut, Hex #8-32
	01364.0000	2	Plascrew, #6 x .375" (Brewers W/Plastic Funnel Support)
18	41193.0003*	1	Tube, Silicone .375" I.D. x 3.0" LG (Order item 21)
19	00704.0000	1	Spring

**The following items are not illustrated:**

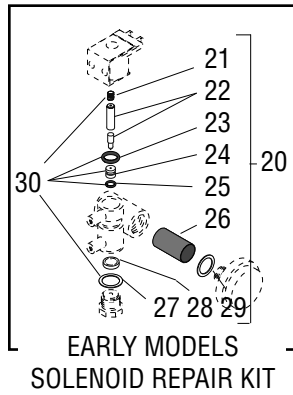
20	07098.0001	2	Funnel Support Assy (Incl 13, 16 - 19)(W/By-Pass & Black Plastic Funnel Support)
	07098.0002	1	Funnel Support Assy (Incl 13, 16 - 19) (W/By-Pass & Orn. Plastic Funnel Support)
	07098.0003	2	Funnel Support Assy (Incl 13, 16 - 19)( W/By-Pass & SST Funnel Support)
21	41193.1002	-	Tube, Silicone, .375" I.D. x 12.0" LG
22	07121.0002	-	Funnel Kit, Plastic - Black (Includes items 3, 4, 5, 9 & 13)
	07121.0006	-	Funnel Kit, Plastic - Black (Brewers W/Filter Support Basket)(Includes items 3-5, 8,9 & 13)
	07121.0010	-	Funnel Kit, Plastic - Black (Brewers W/By-Pass)(Includes items 3, 4, 5, 9 & 13)
	07121.0014	-	Funnel Kit, Plastic - Black (Brewers W/Filter Support Basket & By-Pass )(Includes items 3, 4, 5, 8, 9 & 13)
23	02564.0002	-	Funnel Cover Lid Kit (Includes item 1 & 2)

\* Indicates the part number listed is for reference only. See DESCRIPTION for possible service replacement.

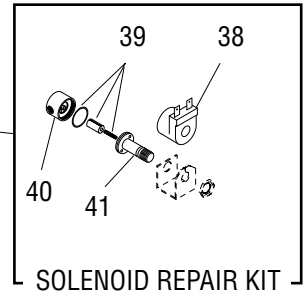
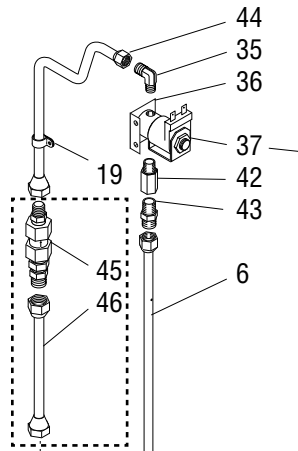


Prior to #U300004095

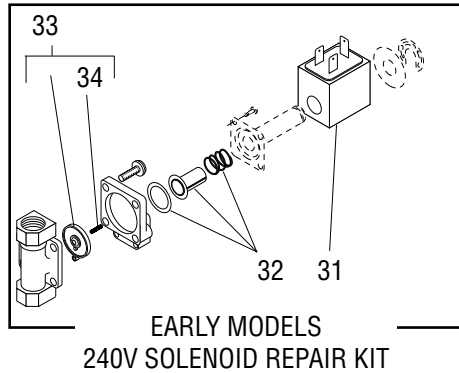
EARLY MODELS



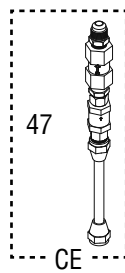
EARLY MODELS SOLENOID REPAIR KIT



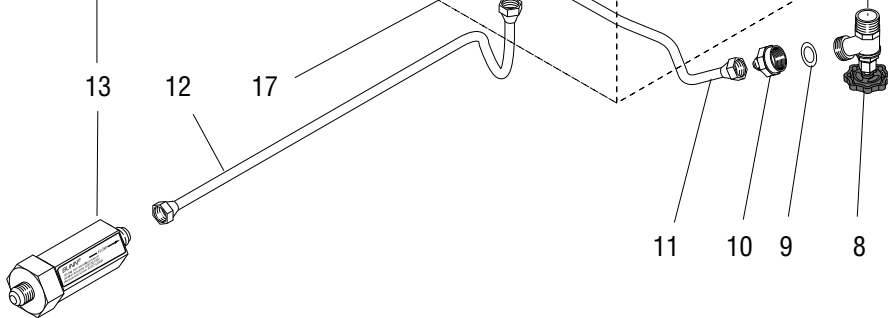
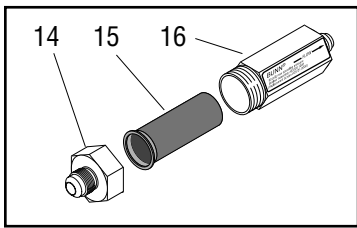
SOLENOID REPAIR KIT



EARLY MODELS 240V SOLENOID REPAIR KIT



CE



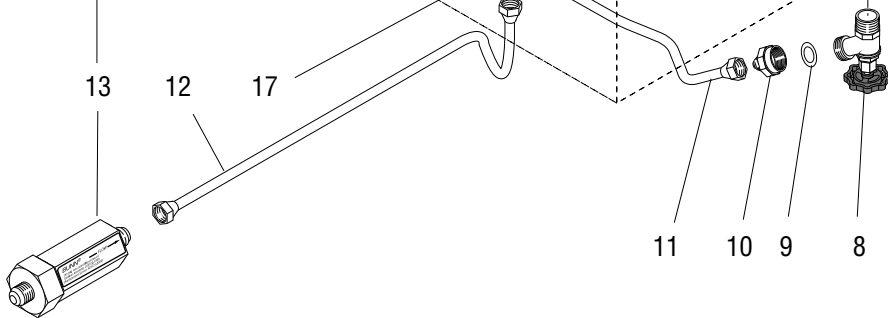
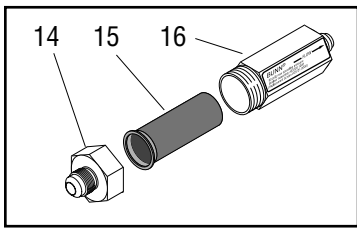
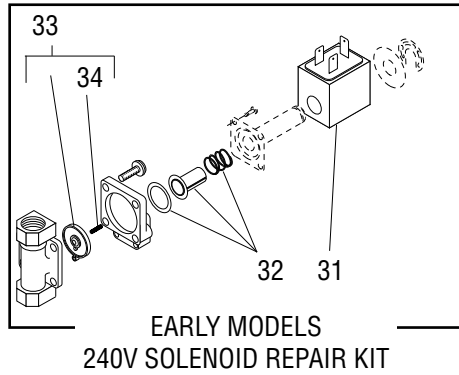
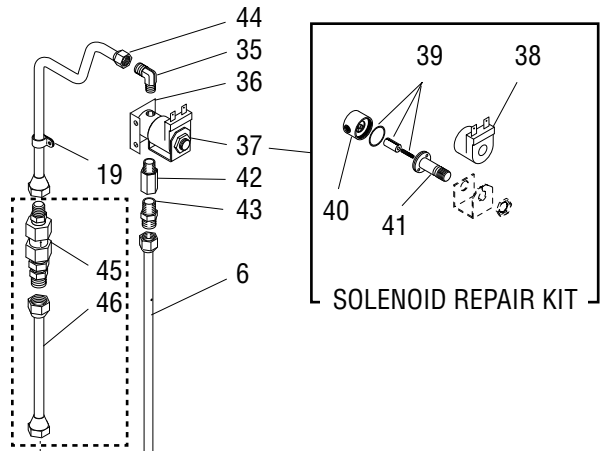
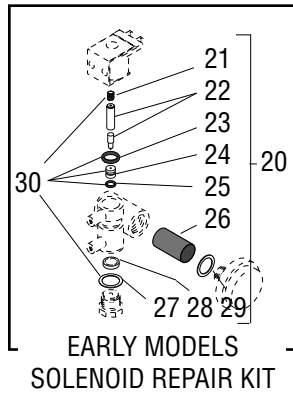
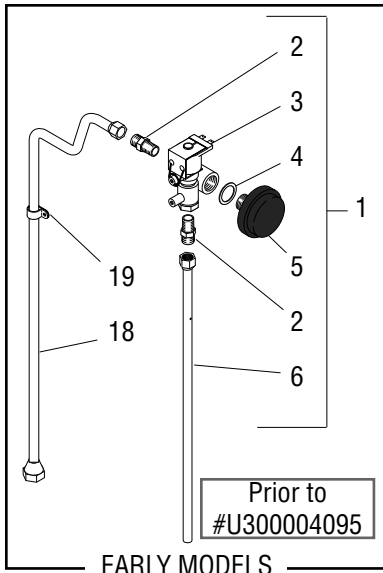
## STRAINER AND SOLENOID VALVE PIPING

ITEM	PART NO.	QTY.	DESCRIPTION
1	07052.0000*	1	Solenoid Valve Assy, 120V (Obsolete, Order Kit # 37420.0000)
	07052.0002*	1	Solenoid Valve Assy, 240V (Obsolete, Order Kit # 37420.0001)
2	07072.0000	2	Connector, Male Brass .38" Tube x .25" Male
3	-----	1	Solenoid Valve (Not Available. Order item 1)(Refer to Items 20 & 30)
4	01537.0000	1	Washer, Nylon .753" I.D. x 1.006" O.D.
5	07083.1000*	1	Air Chamber, Solenoid Valve (Obsolete)
6	07051.1000	1	Tube Assy, Inlet - Solenoid to Housing (Includes Nut and Ferrules)
7	07075.0000	1	Grommet, Inlet Tube Assy 120V
	02536.0000	1	Grommet, Inlet Tube Assy 230V
8	01258.0000	1	Valve, Fill/Drain
9	01536.0000	1	Gasket, Fill/Drain Valve
10	07111.0000	1	Fitting, .38" Flare to .75" Hose
11	07109.0000	1	Tube Assy, Manual Refill - Tee to Fill/Drain Valve
12	07117.0000	1	Tube Assy, Strainer to Tee
13	23720.0000	1	Strainer Assy, (Includes items 14, 15 & 16)
14	23723.0000	1	Cap, End
15	23721.0000	1	Screen
16	-----	1	Housing, Strainer (Not Available. Order item 13)
17	07112.0000	1	Tee, .38" Male Flare
18	07037.1000	1	Tube Assy, Tee to Solenoid (Includes nuts and ferrules) (Early Model 120/208V, 120/240V, 380V, 440V Brewers and 240V Brewers prior to #U300004095)
19	00603.0000	1	Clamp, .438" I.D.
20	07261.0000	1	Repair Kit, Solenoid (Includes items 7, 21 thru 29)
21	-----	1	Spring, Plunger (Not Available. Order item 20)
22	-----	1	Plunger Assy (Not Available. Order item 20)
23	07264.0000	1	O-Ring, Bonnet
24	-----	1	Seat, Plunger (Not Available. Order item 20)
25	-----	1	O-Ring, Plunger Seat (Not Available. Order item 20)
26	-----	1	Screen (Not Available. Order item 20)
27	-----	1	Gasket, Orifice Plate (Not Available. Order item 20)
28	-----	1	Diaphragm, Flow 1.0 GPM (Not Available. Order item 20)
29	01537.0000	1	Washer, Nylon
30	07261.0001	1	Seal Kit, Solenoid (Includes items 7, 21, 23, 24, 25 & 27)
31	28020.0000	1	Coil
32	28021.0000	1	Core Assy Kit (Includes Core, Spring and O-ring)
33	29649.0000	1	Diaphragm and Spring Kit (Includes item 34)
34	29648.0000	1	Spring, Diaphragm
35	21695.0001	1	Elbow

(Continued)

\* Indicates the part number listed is for reference only. See DESCRIPTION for possible service replacement.

(Continued)



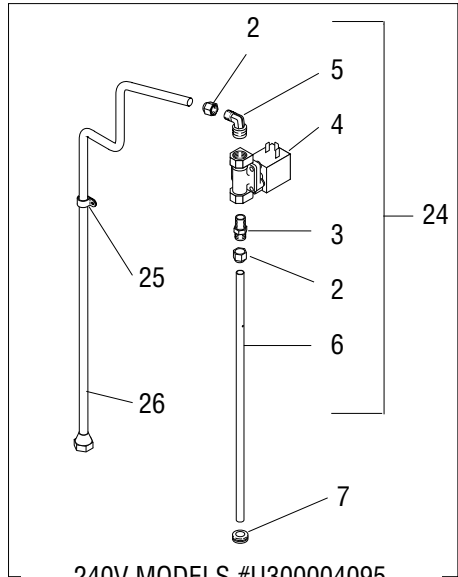
## STRAINER AND SOLENOID VALVE PIPING

ITEM	PART NO.	QTY.	DESCRIPTION
36	36996.0000	1	Bracket
	01327.0000	2	Screw, Pan Head #10-32 x .38"
37	01085.0000	1	Solenoid Valve 120V (Includes items 38 - 41)
	01975.0000	1	Solenoid Valve 240V (Includes items 38 - 41)
	01327.0000	2	Screw, Pan Head #10-32 x .38"
	01501.0000	2	Lockwasher, Split #10
38	01101.0000	1	Solenoid Valve Coil 120V
	01100.0000	1	Solenoid Valve Coil 240V
39	01111.0000	1	Solenoid Valve Repair Kit (Includes Plunger, Seal and Spring)
40	01079.0000	1	Solenoid Valve Base
41	01116.0000	1	Sleeve Assy, Solenoid Valve
42	00458.0001	1	Adapter
43	00406.0001	1	Fitting
44	37005.0000*	1	Tube
45	27596.0001	1	Flow Control
46	21807.0003	1	Tube
47	46555.1000	1	Kit, Backflow Assembly w/Check Valve (CE Only)

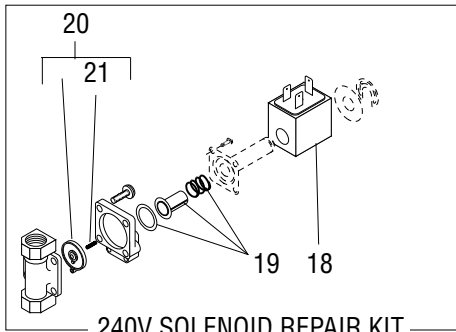
**The following items are not illustrated:**

48	36994.0000	1	Valve Assy., Solenoid 120VAC (Includes 6, 35-37, 42, 43)
	36994.0001	1	Valve Assy., Solenoid 240VAC (Includes 6, 35-37, 42, 43)

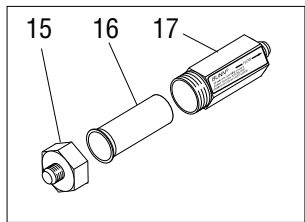
\* Indicates the part number listed is for reference only. See DESCRIPTION for possible service replacement.



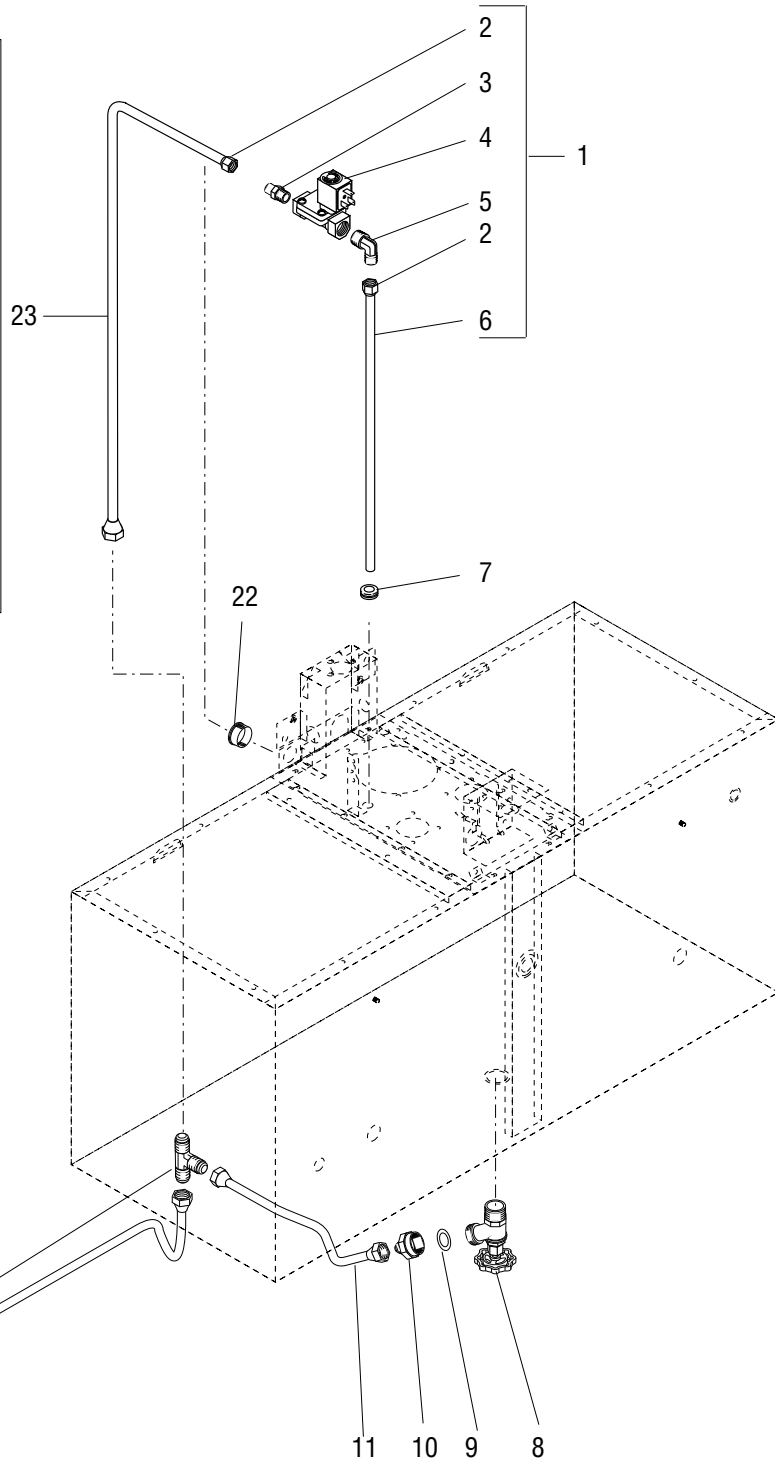
240V MODELS #U300004095  
thru #U30007565



240V SOLENOID REPAIR KIT



14 13



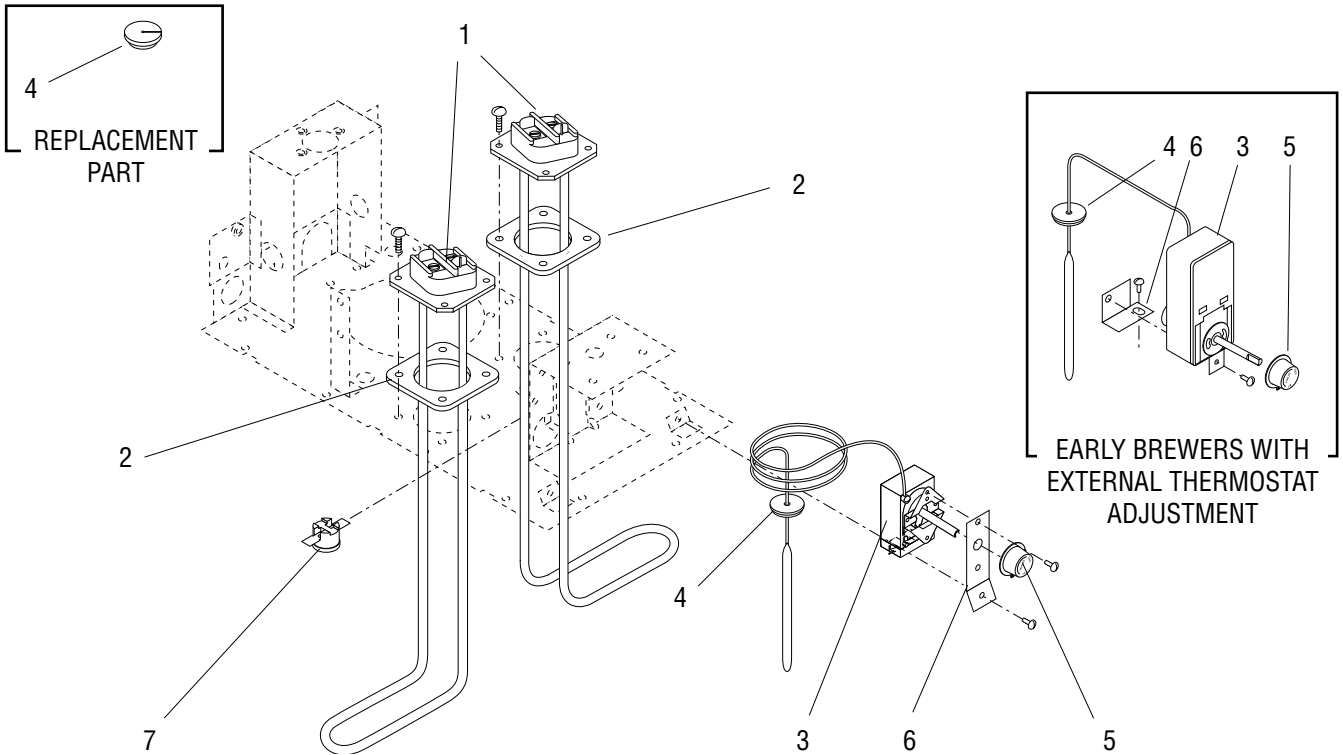
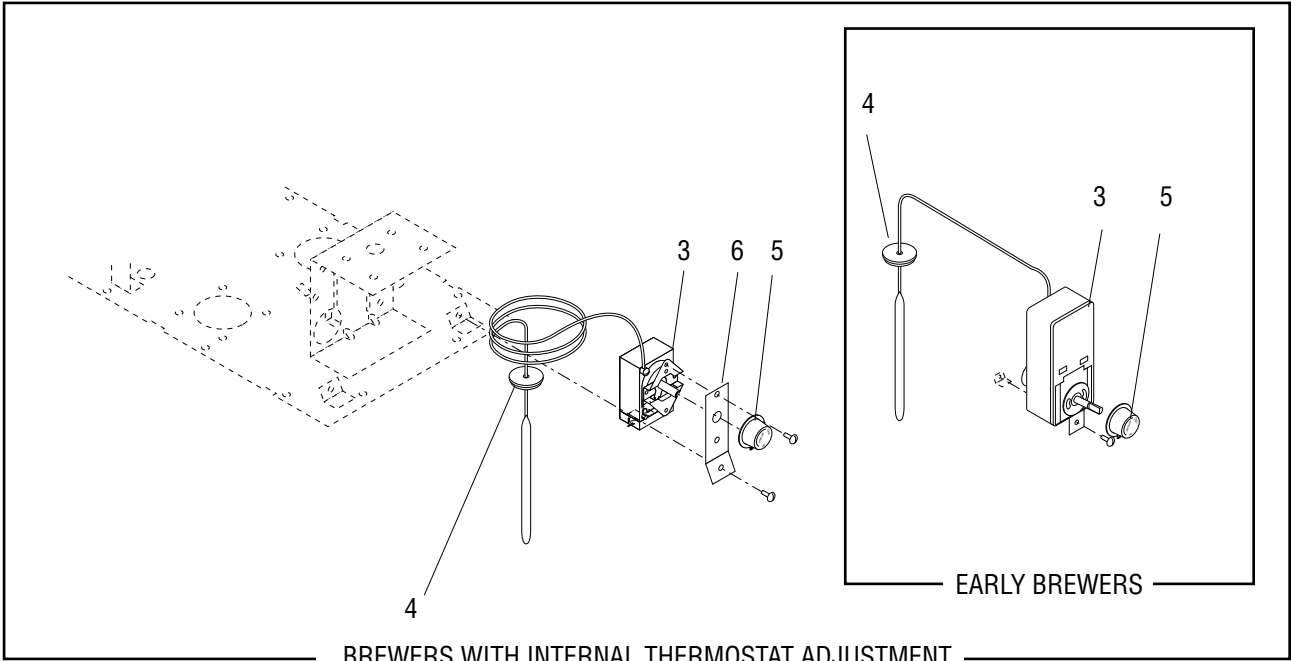


## STRAINER AND SOLENOID VALVE PIPING

U3A S/ N U300004095 TO U300013219

ITEM	PART NO.	QTY.	DESCRIPTION
1	33727.0000*	1	Solenoid Valve Assy, 240 V (After SN U300007565) (Order 37420.0001)
2	00929.0001	2	Nut/Sleeve, .375" Tube
3	28040.0000	1	Connector, .375 MPT
4	28037.0000*	1	Solenoid Valve Assy (Order 37420.0001)
5	27907.0000	1	Elbow, Male .38 MPT
6	07051.1000	1	Tube Assy, Inlet-Solenoid to Housing (Includes Item 2)
7	07075.0000	1	Grommet, Inlet Tube Assy 120V
	02536.0000	1	Grommet, Inlet Tube Assy 230V
8	01258.0000	1	Valve, Fill/Drain
9	01536.0000	1	Gasket, Fill/Drain Valve
10	07111.0000	1	Fitting, .38" Flare to .75" Hose
11	07109.0000	1	Tube Assy, Manual Refill - Tee to Fill/ Drain Valve
12	07112.0000	1	Tee, .38" Male Flare
13	07117.0000	1	Tube Assy, Strainer to Tee
14	23720.0000	1	Strainer Assy, (Includes Items 15 thru 17)
15	23723.0000	1	Cap, End
16	23721.0000	1	Screen
17	-----	1	Housing, Strainer (Not Available. Order Item 14)
18	28020.0000	1	Coil
19	28021.0000	1	Core Assy Kit (Includes Core, Spring and O-Ring)
20	29649.0000	1	Diaphragm and Spring Kit (Includes Item 21)
21	29648.0000	1	Spring, Diaphragm
22	00606.0000	1	Bushing, Black (After SN U300004095)
23	33729.0000	1	Tube Assy, Tee to Solenoid (Includes Item 2) (After SN U300004095)
24	28043.0000*	1	Solenoid Valve Assy, 240V (Between SN U300004095 and U300007565) (Order 37420.0001)
25	00603.0000	1	Clamp .438" I.D. (Between SN U300004095 and U300007565)
26	28530.0000	1	Tube Assy, Tee to Solenoid (Includes Item 2) (Between SN U300004095 and U300007565)

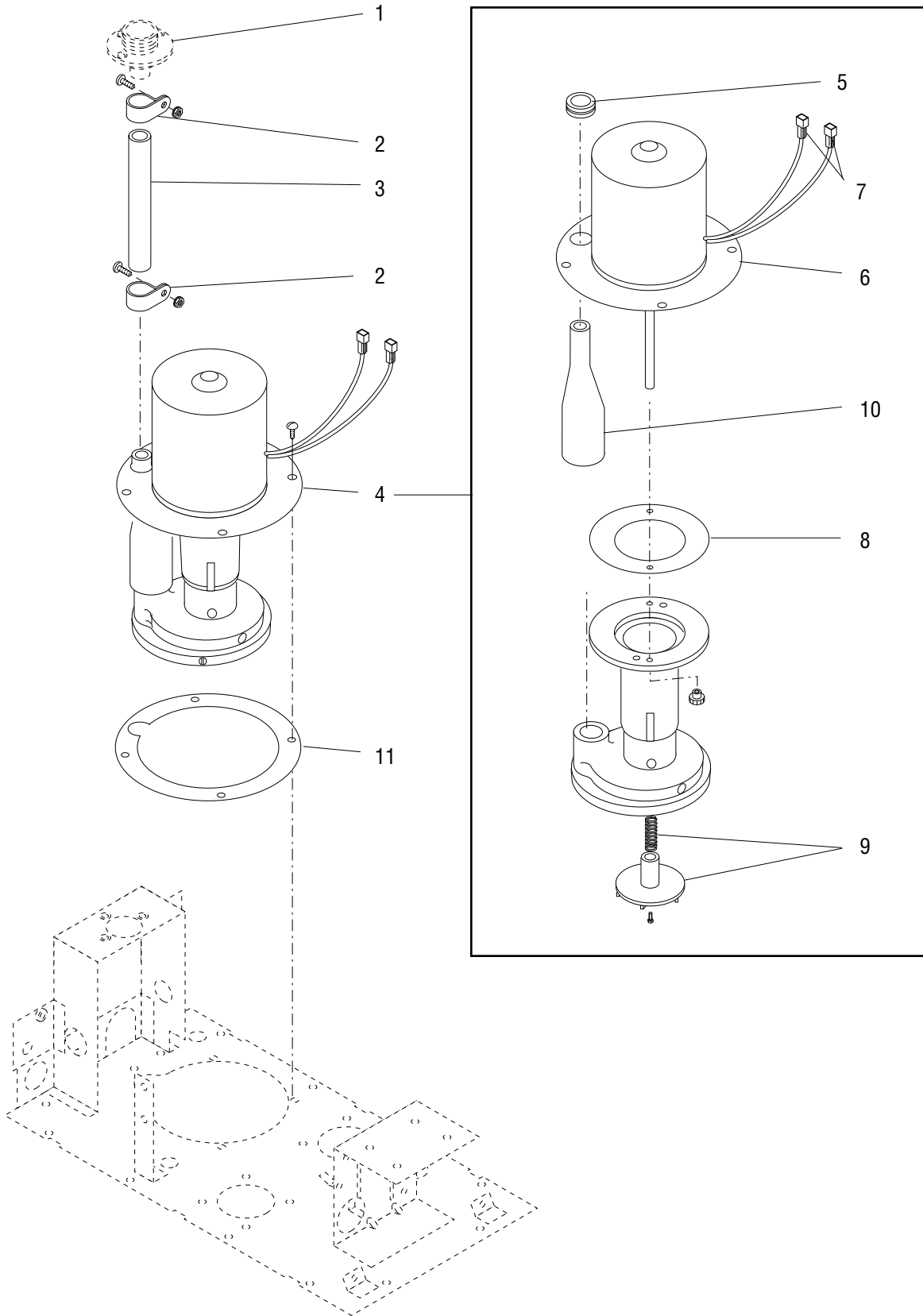
\* Indicates the part number listed is for reference only. See DESCRIPTION for possible service replacement.



## THERMOSTATS AND TANK HEATERS

ITEM	PART NO.	QTY.	DESCRIPTION
1	07066.1000	2	Tank Heater, 2875W @ 208V
	07065.1000	2	Tank Heater, 3325W @ 240V
	07185.1000	2	Tank Heater, 3950W @ 208V
	07186.1000	2	Tank Heater, 3950W @ 240V
	07190.1000	1	Tank Heater, 6000W @ 208V
	07191.1000	1	Tank Heater, 6000W @ 240V
	07069.1000	2	Tank Heater, 3950W @ 380V
	07087.1000	2	Tank Heater, 3950W @ 440V
	01315.0000	8	Screw, Truss Head #8-32 x .375'
			Includes one of item 2
2	12398.0000	2	Gasket, Tank Heater
3	-----	1	Thermostat Assy (Early Brewers w/internal knob) Order late brewer thermostat kit.)
	-----	1	Thermostat Assy (Early Brewers w/external knob) Order late brewer thermostat kit.)
	07045.0000	1	Thermostat Kit (Includes items5 & 6)( Late Brewers w/internal knob)
	07045.0002	1	Thermostat Kit (Includes items 5 & 6)( Late Brewers w/ external knob)
	01315.0000	1	Screw, Truss Head #8-32 x .375" (Early Brewer thermostat mounting)
	02328.0003	2	Screw, Pan Head #6-32 x .312" (Late Brewer thermostat mounting)
	20762.0000	2	Screw, Binding Head #8-32 x .25 (Late Brewer thermostat terminals)
4	07073.0001	1	Grommet, Thermostat
5	00720.0000	1	Knob, Thermostat Adjustment
6	21238.0000*	1	Bracket, Thermostat Mounting ( Early Brewers w/external knob)
	27923.0000	1	Bracket, Thermostat Mounting (Late Brewers w/internal & external knob)
	01315.0000	1	Screw, Truss Head #8-32 x .375"
7	29329.1000	1	Thermostat, Limit

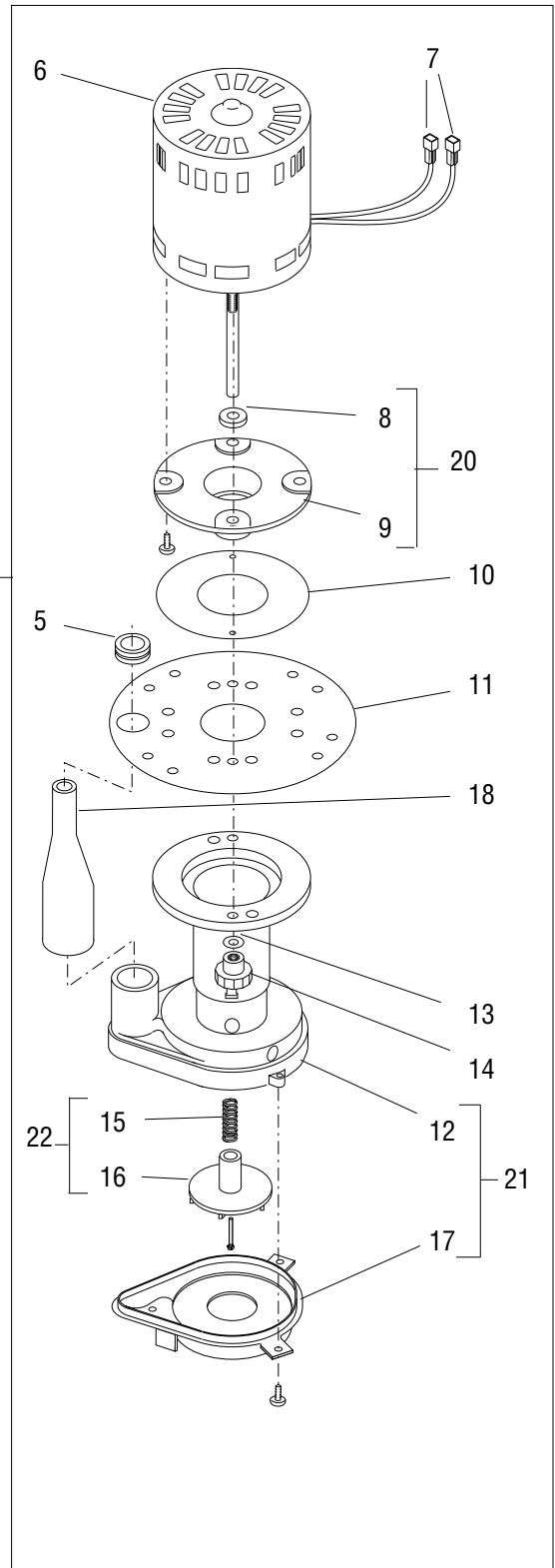
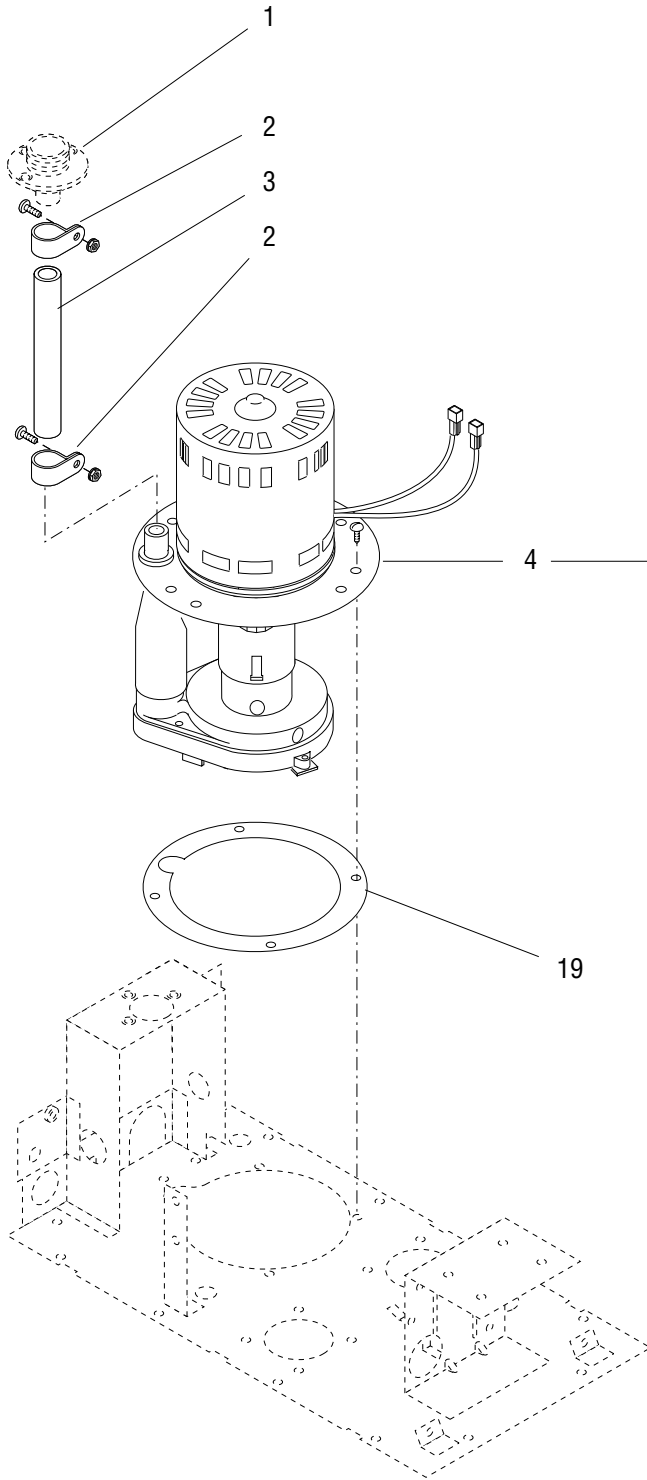
\* Indicates the part number listed is for reference only. See DESCRIPTION for possible service replacement.



**PUMP/MOTOR AND MOUNTING (Model #GPP-1B-1S 120V 50/60HZ & Model  
#GPP-2B-4S 240V 50/60HZ) (EARLY MODELS)**

ITEM	PART NO.	QTY.	DESCRIPTION
1	-----	1	Fitting, Swing Spout Base (See Swing Spout and Mounting)
2	00620.0000	2	Clamp, Cable - Nylon .687" I.D.
	01315.0000	2	Screw, Truss Head #8-32 x .38"
	00970.0000	2	Nut, Keps #8-32
3	07129.1000	1	Tube, Silicone .438" I.D. x 4.5" LG
4	-----	1	Pump Assy, 120V 50HZ (Includes items 5 thru 10) (Not Available. Order item 12)
	-----	1	Pump Assy, 120V 60HZ (Includes items 5 thru 10) (Not Available. Order item 12)
	-----	1	Pump Assy, 240V 50HZ (Includes items 5 thru 10) (Not Available. Order item 12)
	-----	1	Pump Assy, 240V 60HZ (Includes items 5 thru 10) (Not Available. Order item 12)
	01315.0000	4	Screw, Truss Head #8-32 x .375"
5	07044.0000	1	Grommet, Pump
6	-----	1	Motor, 120V 50HZ (Not Available. Order item 12)
	-----	1	Motor, 120V 60HZ (Not Available. Order item 12)
	-----	1	Motor, 240V 50HZ (Not Available. Order item 12)
	-----	1	Motor, 240V 60HZ (Not Available. Order item 12)
7	07014.0000	2	Terminal Housing, .25" Spade
8	-----	1	Housing Assy, Pump (Not Available. Order item 12)
	28617.0000	2	Thumb Nut, #10-32
9	-----	1	Impeller W/Spring, 50HZ
	-----	1	Impeller W/Spring, 60HZ
	07167.0000	1	Screw, Impeller
10	07086.0000	1	Adaptor, Pump
11	07047.0000	1	Gasket, Pump Mounting (Refer to item 12)
12	07097.0006	-	Pump & Motor Kit, 120V 50HZ (Includes items 2 thru 11 & Instructions)
	07097.0000	-	Pump & Motor Kit, 120V 60HZ (Includes items 2 thru 11 & Instructions)
	07097.0008	-	Pump & Motor Kit, 240V 50HZ (Includes items 2 thru 11 & Instructions)
	07097.0004	-	Pump & Motor Kit, 240V 60HZ (Includes items 2 thru 11 & Instructions)
	28630.0001	-	Kit, Pump Rebuild (50HZ) (Includes items 5, 8 thru 11 & Instructions)
	28630.0000	-	Kit, Pump Rebuild (60HZ) (Includes items 5, 8 thru 11 & Instructions)

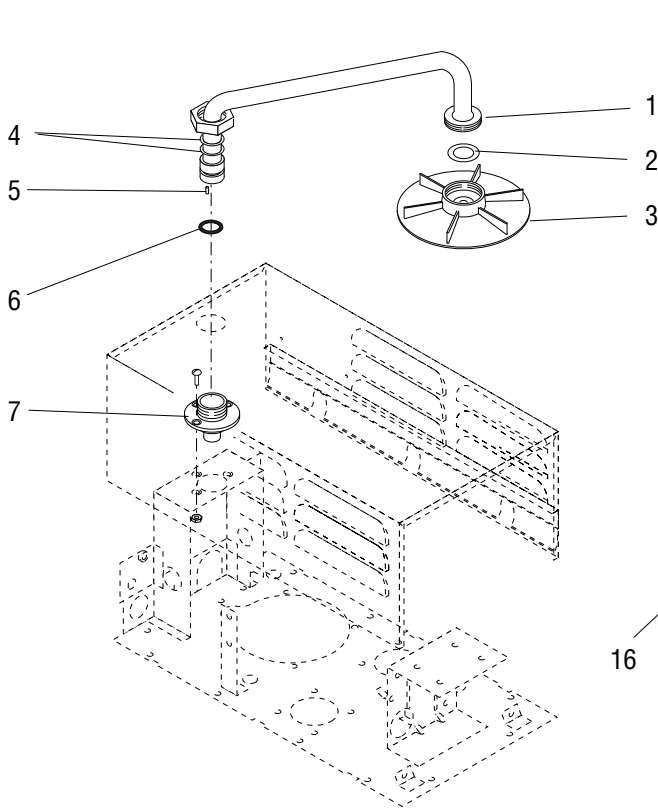
\* Indicates the part number listed is for reference only. See DESCRIPTION for possible service replacement.



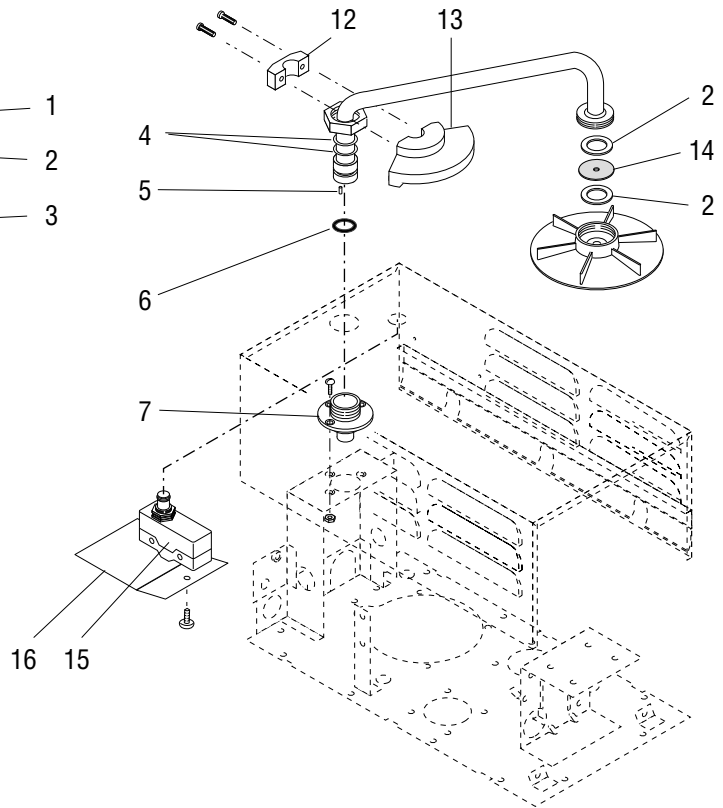
PUMP/MOTOR AND MOUNTING (MODEL # GPP-1B-1P 115V 60HZ, Model #GPP-2B-4P 230V  
50HZ & #GPP-2B-2P 230V 60HZ) (LATE MODELS)

ITEM	PART NO.	QTY.	DESCRIPTION
1	-----	1	Fitting, Swing Spout Base (See Swing Spout and Mounting)
2	00620.0000	2	Clamp, Cable - Nylon .687" I.D.
	01315.0000	2	Screw, Truss Head #8-32 x .38"
	00970.0000	2	Nut, Keps #8-32
3	07129.1000	1	Tube, Silicone .438" I.D. x 4.5" LG
4	-----	1	Pump Assy, 120V 50HZ (Includes items 5 thru 18) (Not Available. Order item 23)
	-----	1	Pump Assy, 120V 60HZ (Includes items 5 thru 18) (Not Available. Order item 23)
	-----	1	Pump Assy, 230V 50HZ (Includes items 5 thru 18) (Not Available. Order item 23)
	-----	1	Pump Assy, 230V 60HZ (Includes items 5 thru 18) (Not Available. Order item 23)
	01315.0000	4	Screw, Truss Head #8-32 x .375"
5	07044.0000	1	Grommet, Pump
6	-----	1	Motor, 120V 50HZ (Not Available. Order item 23)
	-----	1	Motor, 120V 60HZ (Not Available. Order item 23)
	-----	1	Motor, 230V 50HZ (Not Available. Order item 23)
	-----	1	Motor, 230V 60HZ (Not Available. Order item 23)
7	07014.0000	2	Terminal Housing, .25" Spade
8	-----	1	Seal (Not Available. Order item 20 or 23)
9	-----	1	Retainer, Seal (Not Available. Order Item 20 or 23)
	28623.0000	2	Screw, Pan Head #8-32 x .25"
10	28624.0000	1	Gasket, Seal Retainer
11	-----	1	Plate, Pump Mounting (Not Available. Order item 23)
12	-----	1	Pedestal, Pump (Not Available. Order item 21 or 23)
13	28614.0000	2	Washer, #10
14	28617.0000	2	Thumb Nut, #10-32
15	28628.0000	1	Spring, Impeller (See item 22)
16	-----	1	Impeller 60HZ (Not Available. Order item 22 or 23)
	-----	1	Impeller 50HZ (Not Available. Order item 22 or 23)
	07167.0000	1	Screw, Impeller
17	28626.0000	1	Base Plate
	28626.0001	1	Base Plate (50 Hz Models)
	28629.0000	3	Screw, Pan Head #8-18 x .375"
18	07086.0000	1	Adaptor, Pump
19	07047.0000	1	Gasket, Pump Mounting (Refer to item 23)
20	28632.0000	-	Seal/Retainer Assy. (Includes items 8 & 9)
21	28618.0001	-	Kit, Pedestal/Base Plate/Screws 50HZ (Includes items 12 & 17)
	28618.0000	-	Kit, Pedestal/Base Plate/Screws 60HZ (Includes items 12 & 17)
22	28631.0000	-	Impeller/Spring Assy 60HZ (Includes items 15 & 16)
	28631.0001	-	Impeller/Spring Assy 50HZ (Includes items 15 & 16)
23	07097.0006	-	Pump & Motor Kit, 120V 50HZ (Includes items 2 thru 11 & Instructions)
	07097.0000	-	Pump & Motor Kit, 120V 60HZ (Includes items 2 thru 11 & Instructions)
	07097.0008	-	Pump & Motor Kit, 240V 50HZ (Includes items 2 thru 11 & Instructions)
	07097.0004	-	Pump & Motor Kit, 240V 60HZ (Includes items 2 thru 11 & Instructions)
	28630.0001	-	Kit, Pump Rebuild (50HZ) (Includes items 5, 8 thru 11 & Instructions)
	28630.0000	-	Kit, Pump Rebuild (60HZ) (Includes items 5, 8 thru 11 & Instructions)

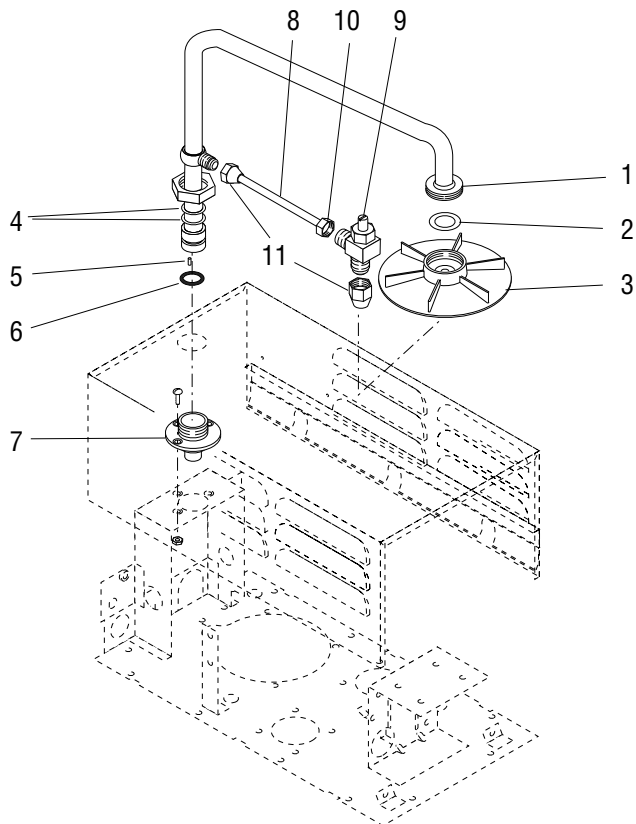
\* Indicates the part number listed is for reference only. See DESCRIPTION for possible service replacement.



**BREWERS W/OUT BY-PASS**



**BREWERS W/INTERLOCK**



**BREWERS W/BY-PASS**



## SWING SPOUT AND MOUNTING

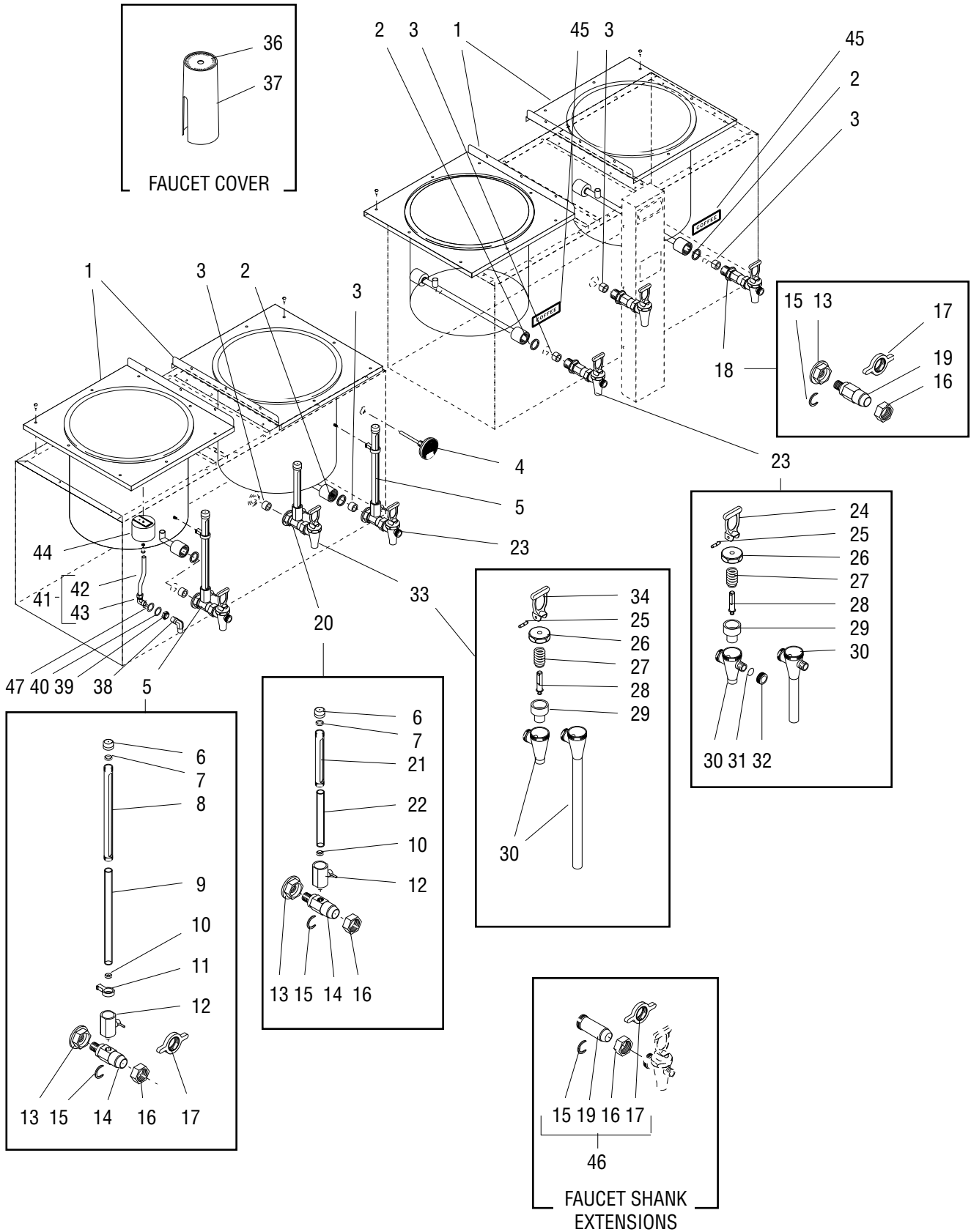
ITEM	PART NO.	QTY.	DESCRIPTION
1	-----	1	Swing Spout Assy. (Brewers W/Out By-Pass) (Includes 4 - 6) (Order Item 18 or 19)
	-----	1	Swing Spout Assy. (Brewers W/By-Pass) (Includes 4 - 6) (Order Item 18 or 19)
	-----	1	Swing Spout Assy. (U3A W/Interlock)( Includes 4 - 6)(Order item 18 or 19)
2	01201.0000	1	Gasket, Swing Spout (2 used on U3A)
3	07026.1002	1	Shield, Swing Spout (Brewers W/Out By-Pass)
	07203.1001	1	Shield, Swing Spout (Brewers W/By-Pass)
4	32947.0000	1	Washer, Split - Swing Spout (Brewers W/Out By-Pass)
	01530.0000	2	Washer, Split (Brewers W/By-Pass)
5	06420.0000	2	Pin, Swing Spout
6	07011.0000	1	O-Ring, Swivel Body
7	-----	1	Fitting, Swing Spout Base (Order item 18 or 19)
	01359.0000	3	Screw, Flat Head #8-32 x .38"
	00970.0000	3	Nut, Keps #8-32
8	07213.0000	1	Tube, .250" Flare x 4.03" LG (Includes item 10 & 11)(Brewers W/By-Pass & Plastic Funnel Support)(Refer to item 12)
	07213.0001	1	Tube, .250" Flare x 4.44" LG (Includes items 10 & 11)(Brewers W/By-Pass & SST Funnel Support)(Refer to item 12)
9	00427.0000	1	Valve, Needle (Includes item 10)(Brewers W/By-Pass)
10	00443.0001	1	Nut/Sleeve, .25" Dia Tube (Brewers W/By-Pass)
11	00924.0000	2	Nut, .250" Flare (Brewers W/By-Pass)
12	32899.0000	1	Clamp, Swing Spout
	01338.0000	2	Screw, TRH SLTD SST #8-32 x .62"
13	32871.0000	1	Cam, Swing Spout
14	33651.0000	1	Washer, Flat
15	32905.0000	1	Switch, Snap acting
16	00637.0006	1	Shield, Mylar
	01308.0000	1	Screw, TRH SLTD SST #6-32 x .25"

Refer to  
items 18/19

**The following items are not illustrated:**

17	32904.0000	1	Harness, Wire - Swing Spout Interlock (not pictured)
18	07018.0001	1	Kit, Swing Spout (Includes 1 thru 7)(Brewers W/Out By-Pass) U3 & U3A
	07019.0001	1	Kit, Swing Spout (Incl 1 - 11)(Brewers W/By-Pass & Plastic Funnel Support) U3
	07019.0002	1	Kit, Swing Spout (Incl 1 - 11)(Brewers W/By-Pass & SST Funnel Support) U3
19	07148.1000	1	Kit, Swing Spout (Includes 1, 4 - 7)(Brewers W/Out By-Pass)
	07150.1000	1	Kit, Swing Spout (Includes 1, 4 - 7)(Brewers W/ By-Pass)

\* Indicates the part number listed is for reference only. See DESCRIPTION for possible service replacement.



# RESERVOIRS, FAUCETS, SIGHT GAUGES - SINGLE SERVICE AND DOUBLE SERVICE (FRONT AND REAR)

\*Single Service (Front Faucets Only)

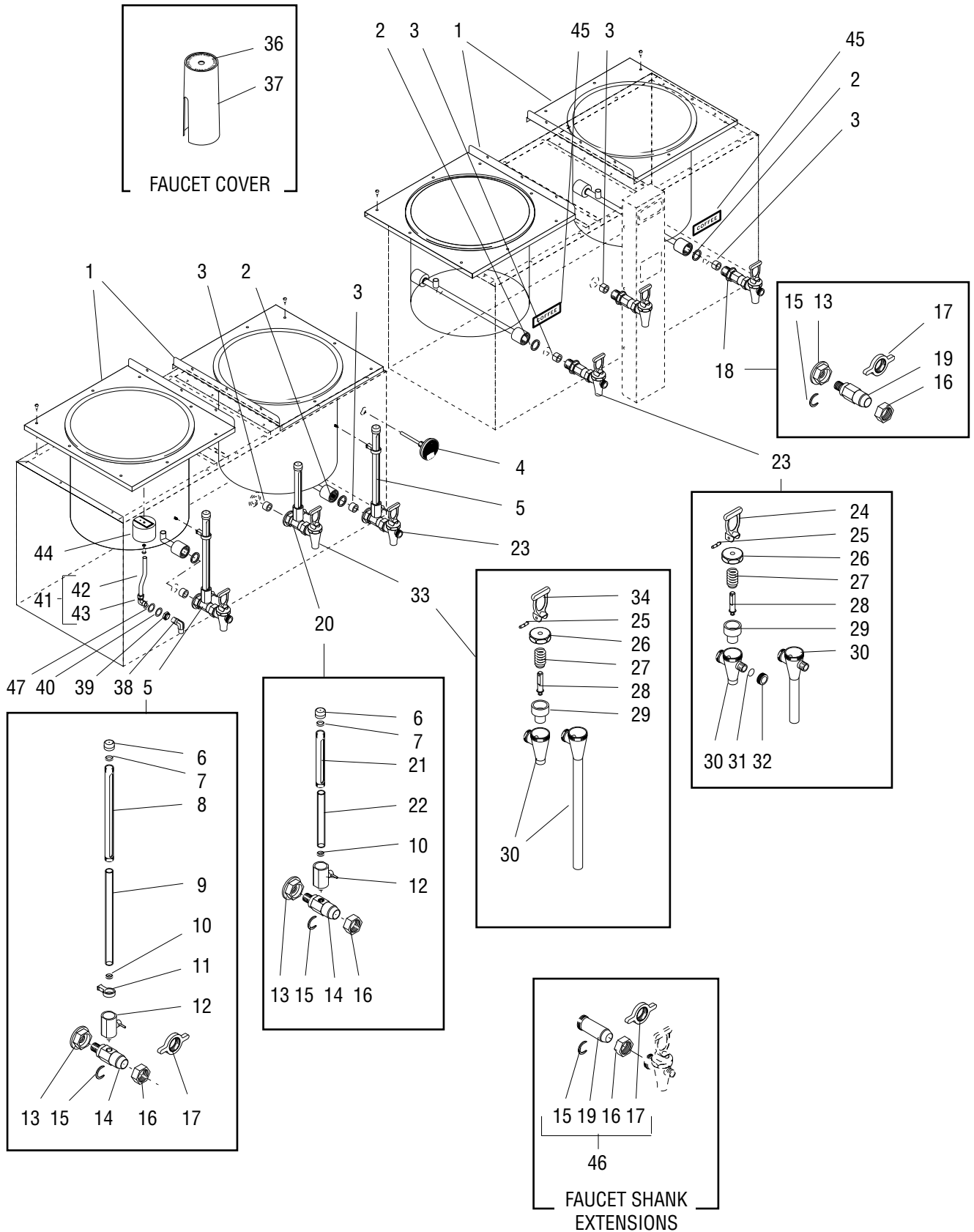
\*\*Double Service (Front And Rear Faucets)

ITEM	PART NO	QTY.	DESCRIPTION
1	07004.0000	1 -	Reservoir Kit, Left (Includes items 2 & 44)
	07003.0000	1 -	Reservoir Kit, Right (Includes item 2)
	07012.0000	- 1	Reservoir Kit, Left (Includes items 2 & 44)
	07005.0000	- 1	Reservoir Kit, Right (Includes item 2)
	01311.0000	16 16	Screw, Truss Head #8-32 x .25"
2	07064.0000	2 4	Gasket, Reservoir Fitting to Housing
3	07079.0000	3 6	Gasket, Faucet Shank
4	07032.0000	1 1	Gauge, Water Temperature
5	07060.0000	2 2	Faucet Shank, W/7.0" Sight Gauge and Union Nut (Includes items 6 thru 16)(Two additional required on brewers with sight gauges on front and rear)
	-----	2 2	Faucet Shank, W/7.0" Sight Gauge and Wing Nut (Includes items 6 thru 15 & 17) (Two additional required on brewers with sight gauges on front and rear)
6	01293.0000	1 1	Cap, Sight Gauge
7	01291.0000	1 1	Washer, Sight Gauge Cap
8	26687.0003	1 1	Shield, Sight Gauge - 7.0" LG
9	01265.1000	1 1	Glass, Sight Gauge - 7.0" LG
10	01292.0000	1 1	Washer, Sight Gauge Base
11	01287.0000	1 1	Brace, Sight Gauge
12	01267.0000	1 1	Valve, Sight Gauge Shut-Off
13	07119.0000	1 1	Nut, Faucet Shank
14	-----	1 1	Shank, Faucet (Not Available. Order item 5)
15	01221.0000	1 1	C-Ring, Faucet Shank
16	01268.0000	1 1	Union Nut, Faucet
17	03093.0001	1 1	Wing Nut, Faucet
18	-----	3 6	Faucet Shank W/Wing Nut - 3.0" LG (Includes items 15, 17 & 19)
	07061.0000	3 6	Faucet Shank W/Union Nut - 3.0" LG (Includes items 15, 16 & 19)
19	-----	1 1	Shank, Faucet (Not Available. Order item 18)
20	07110.0000	1 1	Faucet Shank, W/4.0" Sight Gauge (Includes items 6, 7, 10, 12 thru 16, 21 & 22)(One additional required on brewers with front and rear sight gauges)
21	01218.0000	1 1	Shield, Sight Gauge - 4.0" LG
22	01298.1000	1 1	Glass, Sight Gauge - 4.0" LG
23	07059.0003	2 4	Faucet Assy, Black Handle (Includes items 24 thru 32)
	07113.0001	2 4	Faucet Assy, Black Handle W/3.0" Extension (Includes items 24 thru 32)
	07059.1002	1 2	Faucet Assy, Orange Handle (Includes items 24 thru 32)
	07113.1002	1 2	Faucet Assy, Orange Handle W/3.0" Extension (Includes item 24 thru 32)

**(Continued)**

\* Indicates the part number listed is for reference only. See DESCRIPTION for possible service replacement.

(Continued)

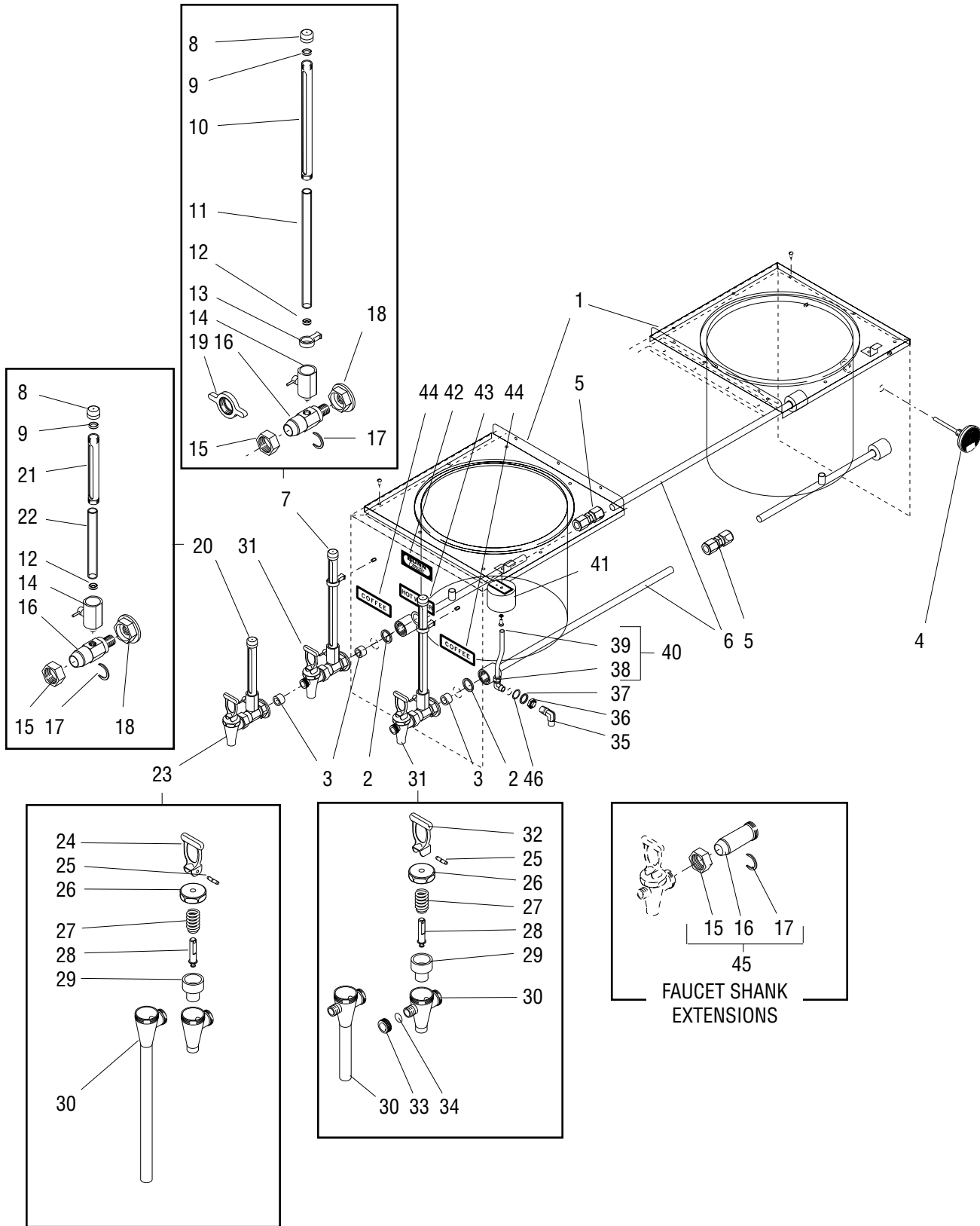


# RESERVOIRS, FAUCETS, SIGHT GAUGES - SINGLE SERVICE AND DOUBLE SERVICE (FRONT AND REAR)

\*Single Service (Front Faucets Only)  
 \*\*Double Service (Front And Rear Faucets)

ITEM	PART NO	QTY.	DESCRIPTION
		* **	
24	07096.0002	1 1	Handle, Faucet - Black
	07101.0000	1 1	Handle, Faucet - Orange
25	01219.0000	1 1	Pin, Faucet Handle
26	07127.0000	1 1	Bonnet, Faucet
27	00601.0000	1 1	Spring, Faucet
28	01284.0000	1 1	Stem W/Pin, Faucet (Includes item 25)
29	00600.0000	1 1	Cup, Faucet Seat
30	-----	1 1	Body, Faucet (Not Available. Order item 23)
31	01276.0000	1 1	Gasket, Faucet Cap
32	01275.0000	1 1	Cap, Faucet - Clean Out
33	07094.0000	1 1	Faucet Assy, Red Handle - Hot Water (Includes items 25 thru 29, 34 & 35)
	07114.0000	1 1	Faucet Assy, Red Handle W/8.0" Extension - Hot Water (Includes items 25 thru 29, 34 & 35)
34	07099.0000	1 1	Handle, Faucet - Red
35	-----	1 1	Body, Faucet (Not Available. Order item 33)
36	00855.0000	1 1	Decal, Faucet Cover
37	07187.0001	1 1	Cover, Faucet - Black (Includes item 36)
38	00471.0000	1 1	Elbow, Overflow - .38" MPT x .25" FPT
39	07034.0000	1 1	Nut, Hex .38" NPT
40	01524.0000	1 1	Washer, Flat .688" I.D. x 1.50" O.D.
41	07036.0000	1 1	Tube Assy. Overflow (Includes items 42 & 43)
42	-----	1 1	Tube, Overflow(Order item 41)
43	06374.0000	1 1	Elbow, .625" Tube x .375" NPTF
44	03132.0002	1 1	Cup, Overflow
	01315.0000	1 1	Screw, Truss Head #8-32 x .38"
	01502.0000	1 1	Lockwasher, Split #10
45	00842.0000	- 2	Decal - COFFEE.
46	-----	3 6	Extension, Faucet Shank - W/Wing Nut 2. 0" LG (Includes items 15, 17 & 19)
	-----	3 6	Extension, Faucet Shank - W/Wing Nut 3.88" LG (Includes items 15, 17, & 19)
	01278.0000	3 6	Extension, Faucet Shank - W/Union Nut 2.0" LG (Includes items 15, 16 & 19)
	01262.0000	3 6	Extension, Faucet Shank - W/Union Nut 3.88" LG (Includes items 15, 16 & 19)
47	01201.0000	1 1	Gasket
48	00675.0000	1 1	Brush, Sight Gauge Clean Out (Not Illustrated)
	00674.0000	1 1	Brush, Faucet Clean Out (Not Illustrated)
49	28707.0002	- -	Faucet Repair Kit, Black (Includes items 24, 27, 28, & 29)
	28707.0001	- -	Faucet Repair Kit, Orange (Includes items 24, 27, 28, & 29)
	28708.0000	- -	Faucet Repair Kit, Red (Includes items 34, 27, 28, & 29)

\* Indicates the part number listed is for reference only. See DESCRIPTION for possible service replacement.



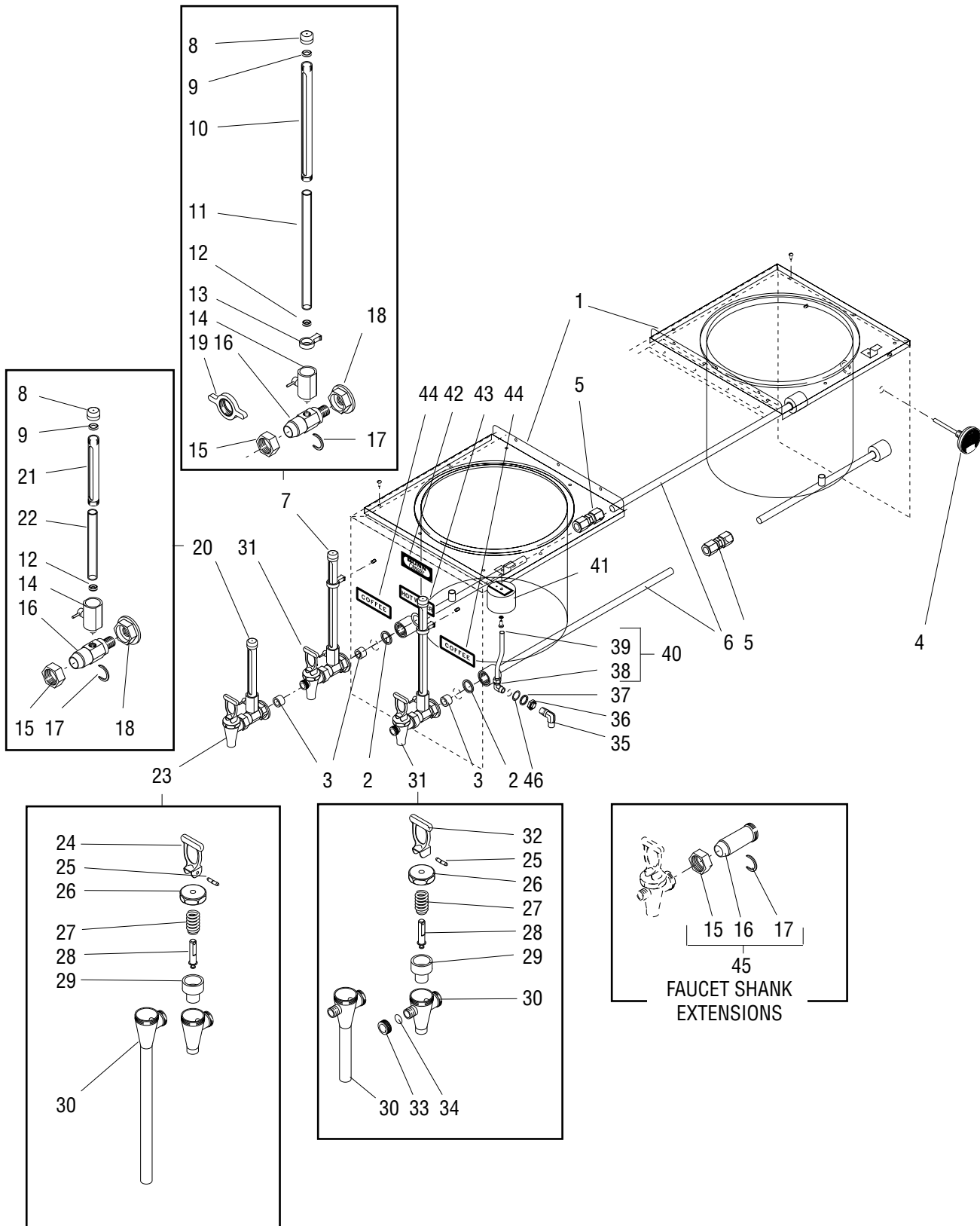
## RESERVOIRS, FAUCETS AND SIGHT GAUGES - SCRAMBLER (LEFT AND RIGHT END)

ITEM	PART NO.	QTY.	DESCRIPTION
1	07123.0000 01311.0000	2 16	Reservoir Kit (Includes two of item 2, one each of item 3, 5, 6 and item 41) Screw, Truss Head #8-32 x .25"
2	07064.0000	4	Gasket, Reservoir Fitting to Housing
3	07079.0000	6	Gasket, Faucet Shank
4	07032.0000	1	Gauge, Water Temperature
5	00401.0000*	2	Union, .50" Tube
6	07124.0000	2	Tube Assy, Reservoir Extension
7	07060.0000 -----	4 4	Faucet Shank Assy, W/7.0" Sight Gauge and Union Nut (Includes 8 thru 18) Faucet Shank Assy, W/7.0" Sight Gauge and Wing Nut (Includes items 8 thru 17 & 19)
8	01293.0000	1	Cap, Sight Gauge
9	01291.0000	1	Washer, Sight Gauge Cap
10	26687.0003	1	Shield, Sight Gauge - 7.0" LG
11	01265.1000	1	Glass, Sight Gauge - 7.0" LG
12	01292.0000	1	Washer, Sight Gauge Base
13	01287.0000	1	Brace, Sight Gauge
14	01267.0000	1	Valve, Sight Gauge Shut-Off
15	01268.0000	1	Union Nut, Faucet
16	-----	1	Shank, Faucet (Not Available. Order item 7)
17	01221.0000	1	C-Ring, Faucet Shank
18	07119.0000	1	Nut, Faucet Shank
19	03093.0001	1	Wing Nut, Faucet
20	07110.0000	1	Faucet Shank Assy W/4.0" Sight Gauge (Includes items 8, 9, 12, 14 thru 18, 21 & 22)
21	01218.0000	1	Shield, Sight Gauge - 4.0" LG
22	01298.1000	1	Glass, Sight Gauge - 4.0" LG
23	07094.0000 07114.0000	1 1	Faucet Assy, Red Handle - Hot Water (Includes items 24 thru 30) Faucet Assy, Red Handle W/8.0" Extension - Hot Water (Includes 24 thru 30)
24	07099.0000	1	Handle, Faucet - Red
25	01219.0000	1	Pin, Faucet Handle
26	07127.0000	1	Bonnet, Faucet
27	00601.0000	1	Spring, Faucet
28	01284.0000	1	Stem W/Pin, Faucet (Includes item 25)

**(Continued)**

\* Indicates the part number listed is for reference only. See DESCRIPTION for possible service replacement.

(Continued)

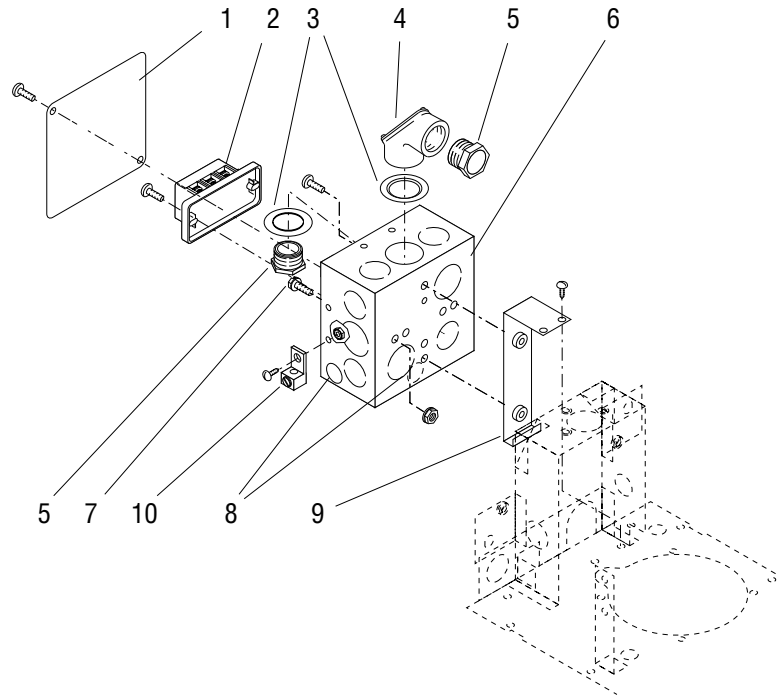




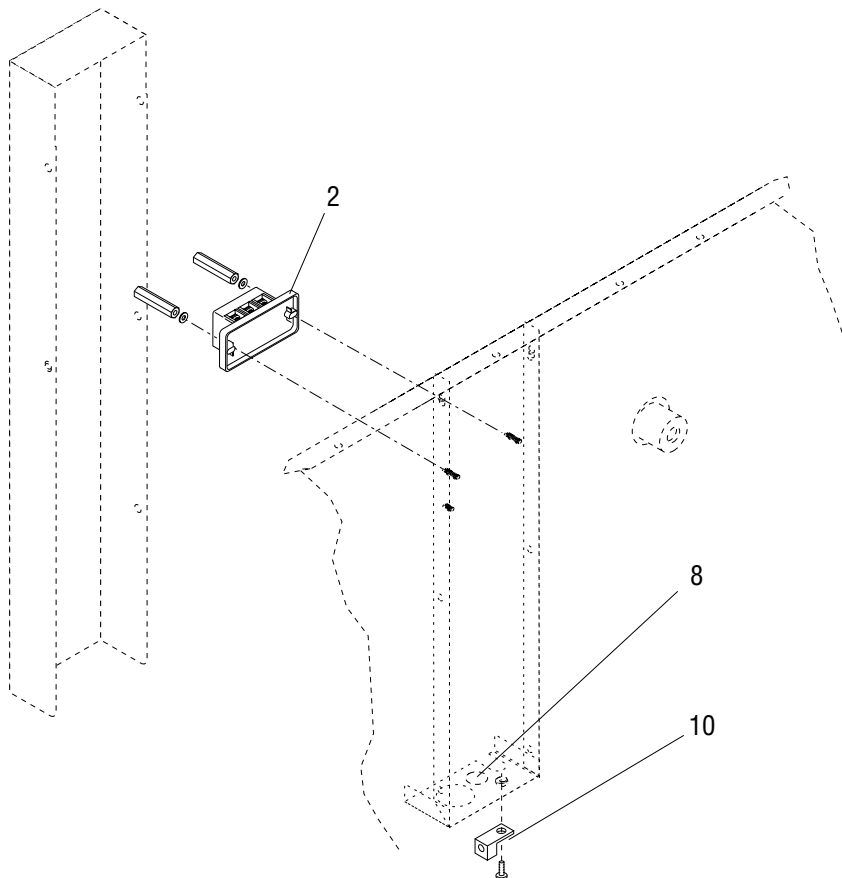
RESERVOIRS, FAUCETS AND SIGHT GAUGES - SCRAMBLER (LEFT AND RIGHT END)

ITEM	PART NO.	QTY.	DESCRIPTION
29	00600.0000	1	Cup, Faucet Seat
30	-----	1	Body, Faucet (Not Available. Order item 23)
31	07059.0003	4	Faucet Assy. Black Handle (Includes items 25 thru 30, 32, 33, 34)
	07113.0001	4	Faucet Assy, Black Handle W/3.0" Extension (Includes items 25 thru 30, 32, 33, 34)
	07059.1002	2	Faucet Assy, Orange Handle (Includes items 25 thru 30, 32, 33, 34)
	07113.1002	2	Faucet Assy, Orange Handle W/3.0" Extension (Includes items 25 thru 30, 32, 33, 34)
32	07096.0002	1	Handle, Faucet - Black
	07101.0000	1	Handle, Faucet - Orange
33	01275.0000	1	Cap, Faucet - Clean Out
34	01276.0000	1	Gasket, Faucet Cap
35	00471.0000	1	Elbow, Overflow - .38" MPT x .25" FPT
36	07034.0000	1	Nut, Hex .38"NPT
37	01524.0000	1	Washer, Flat .688" I.D. x 1.50" O.D.
38	06374.0000	1	Elbow, .625" Tube x .375" NPTF
39	-----	1	Tube, Overflow (Order item 40)
40	07036.0000	1	Tube Assy, Overflow (Includes items 38 & 39)
41	03132.0002	1	Cup, Overflow
	01315.0000	1	Screw, Truss Head #8-32 x .38"
	01502.0000	1	Lockwasher, Split #10
42	00875.0000	2	Decal - BUNN-O-MATIC
43	12593.0000	2	Decal - HOT WATER
44	00842.0000	4	Decal - COFFEE
45	01278.0000	6	Extension, Faucet Shank W/Union Nut - 2.0" LG (Includes items 15, 16 & 17)
	-----	6	Extension, Faucet Shank W/Wing Nut - 2.0" LG (Includes items 15, 16 & 17)
	01262.0000	6	Extension, Faucet Shank W/Union Nut - 3.88" LG (Includes items 15, 16 & 17)
	-----	6	Extension, Faucet Shank W/Wing Nut - 3.88" LG (Includes items 15, 16 & 17)
46	01201.0000	1	Gasket
47	00675.0000	1	Brush, Sight Gauge Clean Out (Not Illustrated)
	00674.0000	1	Brush, Faucet Clean Out (Not Illustrated)
48	28707.0002	-	Faucet Repair Kit, Black (Includes items 27, 28, 29 & 32)
	28707.0001	-	Faucet Repair Kit, Orange (Includes items 27, 28, 29 & 32)
	28708.0000	-	Faucet Repair Kit, Red (Includes items 24, 27, 28, & 29)

\* Indicates the part number listed is for reference only. See DESCRIPTION for possible service replacement.



**SINGLE SERVICE AND SCRAMBLER BREWERS**

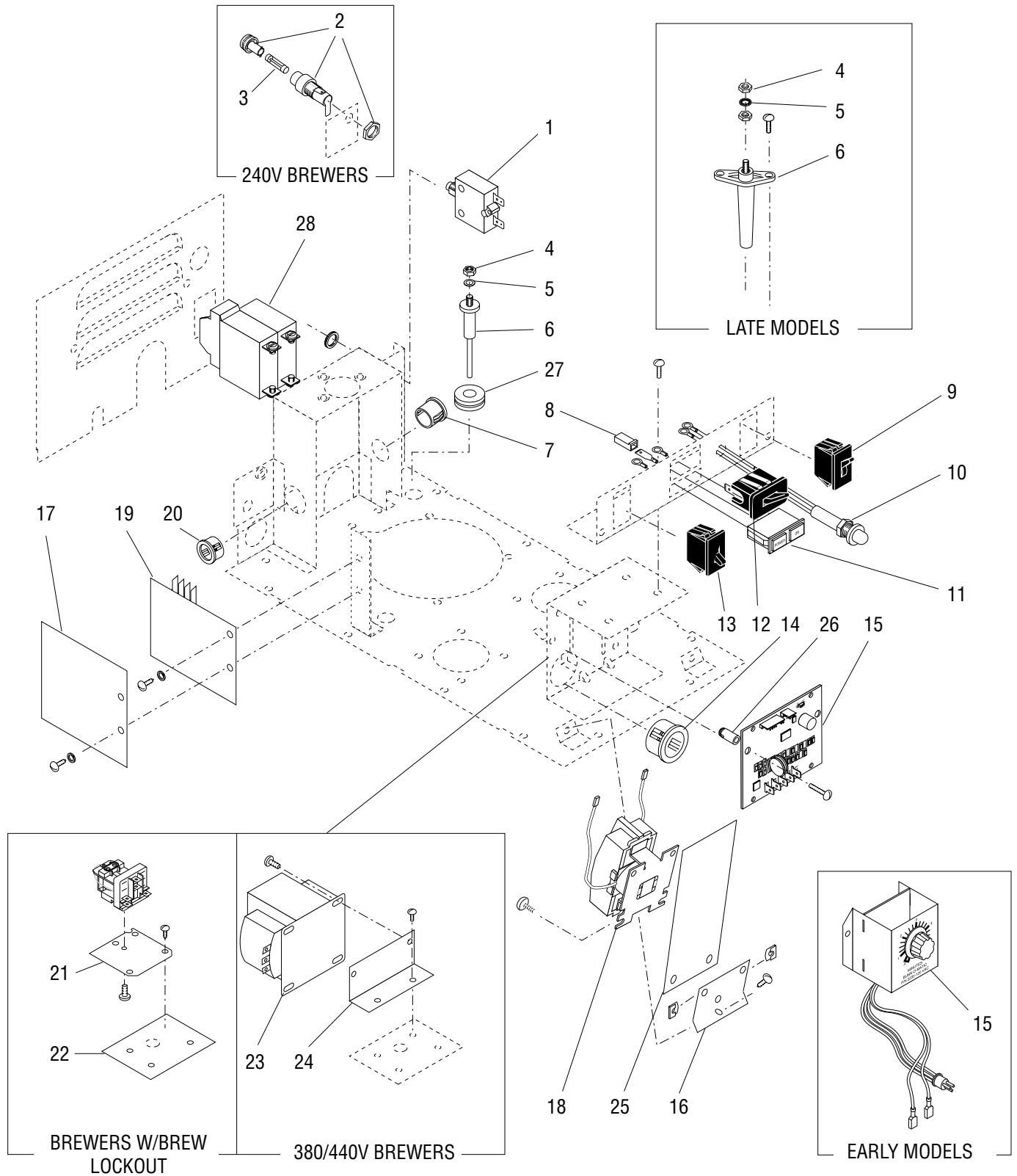


**DOUBLE SERVICE BREWERS**

## OUTLET BOX AND TERMINAL BLOCK

ITEM	PART NO.	QTY.	DESCRIPTION	
1	07054.0000	1	Cover,Outlet Box	
	01318.0000	2	Screw, Round Head #8-32 x .50"	
2	07038.0000	1	Terminal Block, Three Pole Red/White/Black	
	07038.0001	1	Terminal Block, Three Pole Red/Blue/Black	
	21869.0000	1	Terminal Block, Four Pole	
	01370.0000	2	Screw, Pan Head #8-32 x .75" (For three pole terminal blocks)	} For Single Service and Scramber Models
	01322.0000	2	Screw, Round Head #8-32 x 1.50" (For four pole terminal blocks)	
	01522.0000	2	Washer	} For Double Service Models
	00932.0000	2	Nut, Spacer .25" hex, #8-32 x .375"	
3	01531.0000	2	Washer, .875" I.D.	
4	07056.0000	1	Elbow, .50" Pull Corner	
5	07055.0000	2	Nipple, .50" Chase	
6	07053.0001	1	Box, Outlet	
	01327.0000	1	Screw,Pan Head #10-32 x .375"	
7	01309.0000	1	Screw, Pan Head W/Terminal - Ground #10-32 x .375" (120V, 208V, 340V, 440V Brewers & 240V Brewers prior to #U300004095)	
	01375.0000	1	Screw, Pan Head - Brass Ground #10-32 x .375"	} 240V Brewer #U300004095 and up
	01512.0000	1	Lockwasher, External Tooth #10	
8	00824.0000	1	Decal, Ground	
	00824.0001	1	Decal, Ground (240VBrewers #U300004095 and up)	
9	27687.0000	1	Bracket, Outlet Box Mounting	
	01311.0000	2	Screw, Truss Head #8-32 .25"	
10	27705.0000	1	Lug, Terminal	
	02308.0000	1	Screw, Pan Head - Serrated #8-32 x .375"	} 240V Brewer #U300004095 and up
	00970.0000	1	Nut, Keps #8-32 (Single Service Models Only)	

\* Indicates the part number listed is for reference only. See DESCRIPTION for possible service replacement.



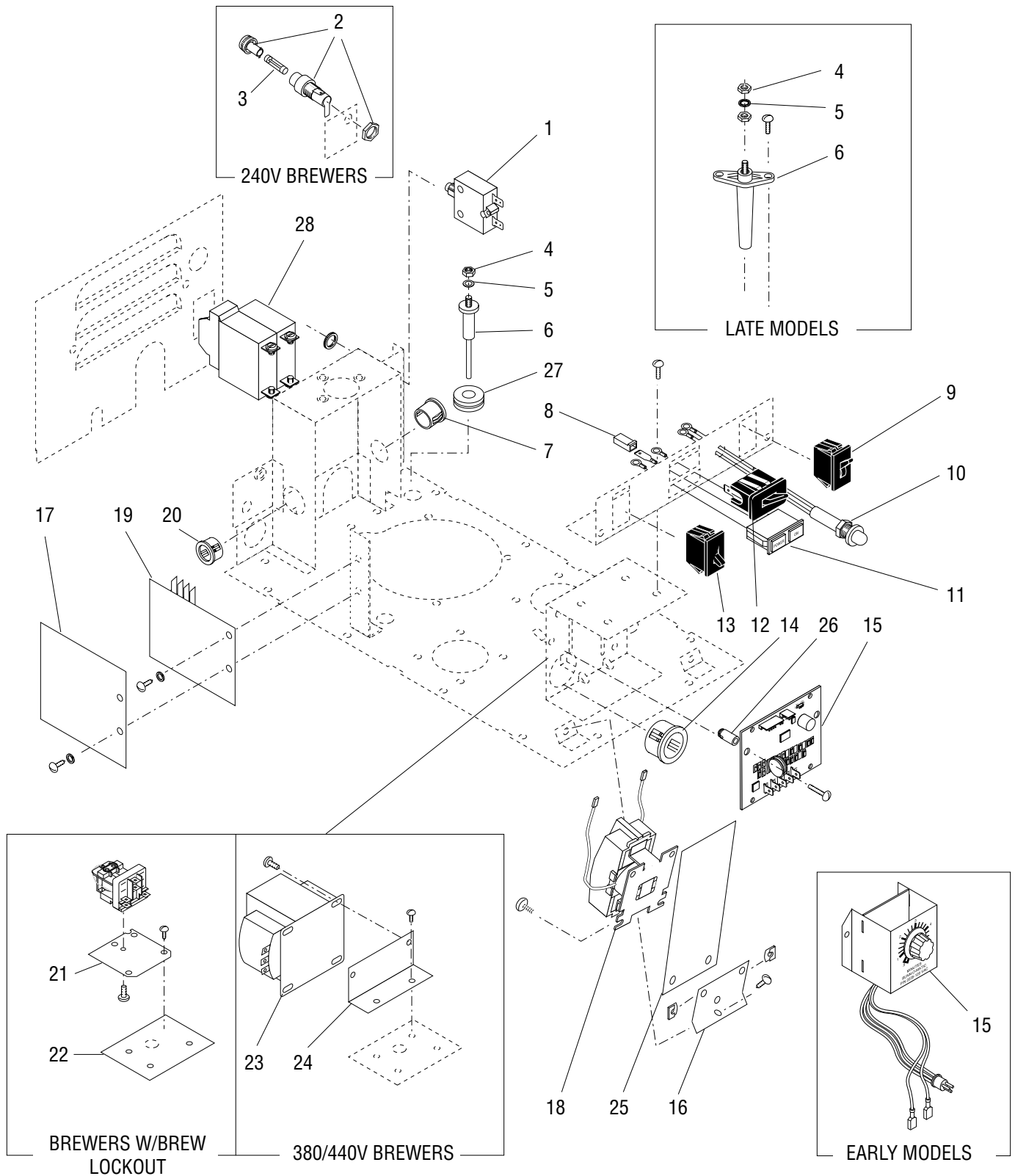
## ELECTRICAL CONTROLS AND INDICATOR LIGHTS

ITEM	PART NO.	QTY.	DESCRIPTION
1	01260.1000	1	Circuit Breaker, 15 Amp (Includes nut)(120/208V, 120/240 Brewers)
2	03231.0000	1	Fuse Holder (Includes cap & nut)(240V Brewers)
3	03230.0001	1	Fuse, MDL- 5 Amp 250V
4	00908.0000	2	Nut, Hex #8-32
5	20203.0100	1	Lockwasher, Internal Tooth #8
6	07048.1000	1	Probe Kit, Liquid Level
	07246.1000	1	Probe Kit, Liquid Level (Marine Applications)
	01315.0000	2	Screw, Truss Head #8-32 x .375"
			} Includes items 4, 5, 27 & hardware indented below
7	07070.0000	1	Bushing, Snap .687 Dia Mounting Hole
8	07014.0000	1	Terminal Housing
9	01061.0000	1	Switch, Momentary Start (120/208, 120/240V, 380V, 440V Brewers & 240V Brewers prior to #U300004095)
10	12984.0006	1	Lamp Assembly 120V (Brewers W/Brew Lockout)
	12984.0007	1	Lamp Assembly 240V (Brewers W/Brew Lockout)
11	07104.0000	1	Lamp Assembly, Indicator - Power On 120V
	07104.0004	1	Lamp Assembly, Indicator - Power On 240V (Brewers prior to #U300004095)
12	07183.0000	1	Switch, Half Batch Selector (120/208V, 120/240V, 380V, 440V Brewers & 240V Brewers prior to #U300004095)
13	04225.0002	1	Switch, ON/OFF 120V & 240V - Black (120/208V, 120/240V, 380V, 440V Brewers & 240V Brewers prior to #U300004095)
14	00718.0000	1	Bushing, Snap 1.125" Dia Mounting Hole
15	-----	-	Timer 120V (Early Models - Order Item 41)
	-----	-	Timer 240V (Early Models - Order Item 42)
	32400.0002	1	Digital Timer - 120V (Late Models)
	32400.0003	1	Digital Timer - 240V (Late Models)
	01315.0000	2	Screw, Truss Head #8-32 x .375" (Early Models)
	01320.0000	2	Screw, Round Head #8-32 x 1.00" (Late Models)
16	07241.0001	1	Bracket, Contactor Mounting (120/208V, 120/240V, 380V, 440V Brewers & 240V Brewers prior to #U300004095)
	01315.0000	1	Screw, Truss Head #8-32 x .375"
17	07105.0000	1	Shield, Protective
	01327.0000	1	Screw, Pan Head #10-32 x .375"
	01522.0000	1	Washer, Flat .203" I.D. x .50" O.D.
18	06335.1000	1	Contactor Assembly, 120V
	06335.1002	1	Contactor Assembly, 240V (Brewers prior to #U300004095) (Incl. Item 40)
	01315.0000	2	Screw, Truss Head #8-32 x .375"
	00912.0000	2	Fastener, "J" Type #8
19	07074.1000	1	Level Control Board, 5 Sec 120V
	07074.1009	1	Level Control Board, 5 Sec 240V
	01327.0000	1	Screw, Pan Head #10-32 x .375"
	01512.0000	1	Lockwasher, Internal Tooth #10

(Continued)

\* Indicates the part number listed is for reference only. See DESCRIPTION for possible service replacement.

(Continued)



## ELECTRICAL CONTROLS AND INDICATOR LIGHTS

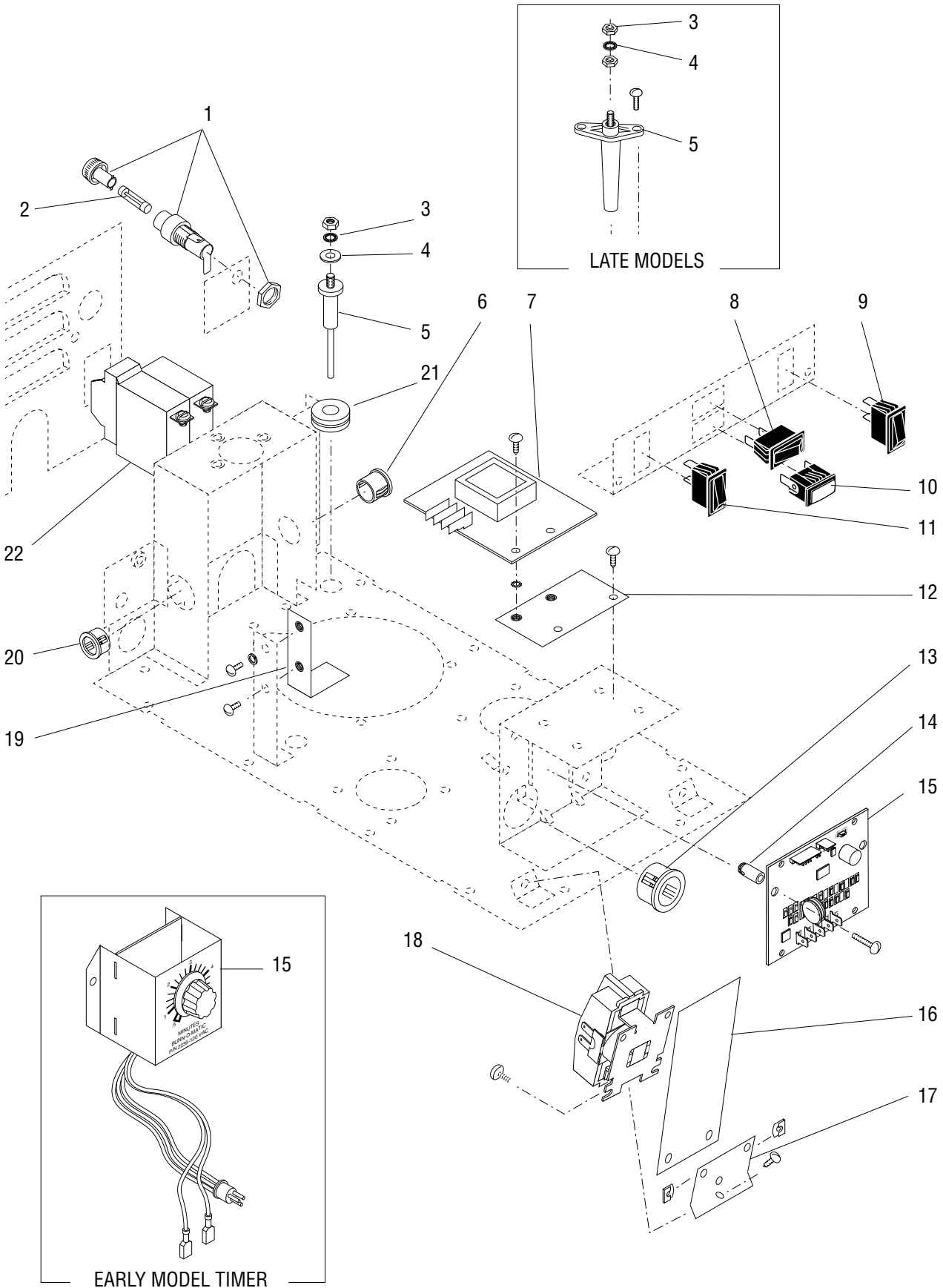
ITEM	PART NO.	QTY.	DESCRIPTION
20	01663.0000	1	Bushing, Snap .875" Dia Mounting Hole
21	02618.1000	1	Relay, 120V (Brewers W/Brew Lockout)
	02806.0000	1	Relay, 240V (Brewers W/Brew Lockout)(Brewers prior to #U300004095)
	28034.0000	1	Relay, 240V (Brewers #U300004095 and up)
	02328.0000	1	Screw, Pan Head Locking #6-32 x .375" (120/208V, 120/240V, 380V, 440V Brewers & 240V Brewers prior to #U300004095)
	01308.0000	2	Screw, Truss Head #6-32 x .25" (240V Brewer #U300004095 and up)
22	05000.0000	1	Bracket, Relay Mounting (Brewers W/Brew Lockout)(120/208V, 120/240V, 380V, 440V Brewers 240V Brewers prior to #U300004095)
	28036.0000	1	Bracket, Relay Mounting (Brewers W/Brew Lockout)(240V Brewer #U300004095 and up)
	01311.0000	2	Screw, Truss Head #8-32 x .250"
23	07179.0000	1	Transformer, Stepdown 380V/440V
	01311.0000	2	Screw, Truss Head #8-32 x .250"
	00912.0000	2	Fastener, "J" Type #8
24	07181.0000	1	Bracket, Transformer Mounting
	01311.0000	2	Screw, Truss Head #8-32 x .250"
25	28529.1000	1	Shield, Protective
26	32530.0001	2	Spacer, Nylon
27	02536.0000	1	Grommet (Late Models)
28	38894.0001	1	Switch, Master ON/OFF
	01308.0002	2	Screw, Truss Head, Locking #6-32 x .25" (Mounting)
	01327.0000	4	Screw, Pan Head #10-32 x .38" (Terminals)
	01512.0000	4	Lockwasher, Ext.-tooth #10

**The following items are not illustrated:**

28	21012.0017	1	Lead, Electrical 12 AWG 7.0" LG - Red - Contactor to Right Tank Heater (120/208V, 120/240V, 380V, 440V Brewers & 240V Brewers prior to #U300004095)
29	21012.0018	1	Lead, Electrical 12 AWG 5.5" LG - Black - Contactor to Left Tank Heater (120/208V, 120/240V, 380V, 440V Brewers & 240V Brewers prior to #U300004095)
30	02240.0001	1	Lead Assembly, Electrical 22 AWG 13.5" LG - Pink & Gray - Timer to Selector Switch
31	21001.0258	1	Lead, Electrical 18 AWG 4.0" LG ( White - Transformer)
32	01846.0001	1	Wiring Harness, Main 120/240V
	01846.0002	1	Wiring Harness, Main 120/240V (Models with Master ON/OFF Switch)
33	21863.0001*	1	Wiring Harness, Main 120/240V (10KW)
34	21888.0001	1	Wiring Harness, Main 240V Two Wire Single Phase (Brewers prior to #U3000040905)
35	22134.0001	1	Wiring Harness, Main 240V Three Wire Three Phase
36	21652.0000*	1	Wiring Harness, Brew Lockout 120V
37	21862.0000	1	Wiring Harness, Brew Lockout 240V (Brewers prior to #U300004095)
	21862.0001	1	Wiring Harness, Brew Lockout 240V (Brewer #U300004095 and up)
38	01848.0001*	1	Wiring Harness, Main 380/440V Three Wire Three Phase
39	29445.1000	1	Wiring Harness, Digital Timer (Late Models)
40	32400.0000	-	Digital Timer Kit - 120V (Replaces early timer with Digital Timer)
41	32400.0001	-	Digital Timer Kit - 240V (Replaces early timer with Digital Timer)
32	38920.0010	1	Wiring Harness, Master ON/OFF Switch

Includes Items 15,  
26, 40 & Decal

\* Indicates the part number listed is for reference only. See DESCRIPTION for possible service replacement.





## ELECTRICAL CONTROLS AND INDICATOR LIGHTS

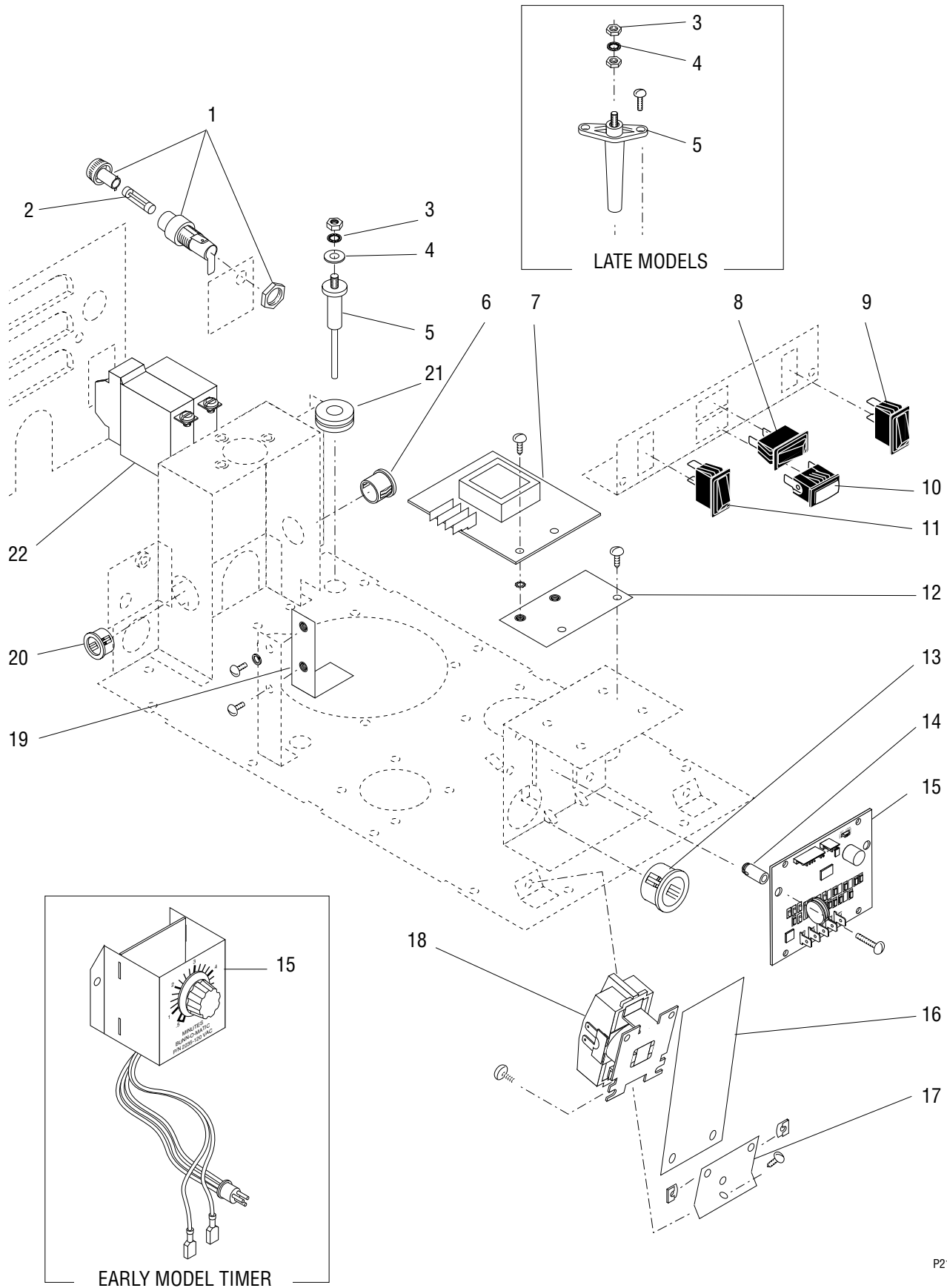
(U3A after SN U300004095)

ITEM	PART NO.	QTY.	DESCRIPTION
1	03231.0000	1	Fuse Holder (Includes cap & nut)
2	03230.0001	1	Fuse, MDL- 5 Amp 250V
3	00908.0000	2	Nut, Hex #8-32
4	20203.0100	1	Lockwasher, Internal Tooth #8
5	07246.1000	1	Probe Kit, Liquid Level (Includes items 3, 4, 21 & hardware indented below)
	01315.0000	2	Screw, Truss Head #8-32 x .375"
6	07070.0000	1	Bushing, Snap .687" Dia Mounting Hole
7	07074.1009	1	Level Control Board, 5 Sec 240V
	01327.0000	1	Screw, Pan Head #10-32 x .375"
	01512.0000	1	Lockwasher, Internal Tooth #10
8	27905.0000	1	Switch, Half Batch Selector
9	27904.0001	1	Switch, Momentary Start
10	27691.0002	1	Lamp Assembly, Indicator - Power On 240V
11	27727.0001	1	Switch, ON/OFF
12	33723.0000	1	Plate Weldment, Liquid Level Board
	01315.0000	2	Screw, Truss Head #8-32 x .375"
13	00718.0000	1	Bushing, Snap 1.125" Dia Mounting Hole
14	32530.0001	2	Spacer, Nylon
15	-----	1	Timer, 5 Min 240V (Early Models - Order Item 28)
	32400.0003	1	Digital Timer, 240V (Late Models)
	01315.0000	2	Screw, Truss Head #8-32 x .375" (Early Models)
	01320.0000	2	Screw, Round Head #8-32 x 1.00" (Late Models)
16	28529.1000	1	Shield, Protective
17	07241.0001	1	Bracket Contactor Mounting
	01315.0000	1	Screw, Truss Head #8-32 x .375"
18	27906.1000	1	Contactor Assembly, 240V (Includes Item 25)
	01315.0000	2	Screw, Truss Head #8-32 x .375"
	00912.0000	2	Fastener, "J" Type #8
19	33721.0000	1	Bracket Weldment, Refill Valve
	01512.0000	1	Lockwasher, Internal Tooth #10
	01327.0000	2	Screw, PanHead #10-32 x .375"
20	01663.0000	1	Bushing, Snap .875" Dia Mounting Hole
21	02536.0000	1	Grommet (Late Models)
22	38894.0001	1	Switch, Master ON/OFF (U3)
	01308.0002	2	Screw, Truss Head, Locking #6-32 x .25" (Mounting)
	01327.0000	4	Screw, Pan Head #10-32 x .38" (Terminals)
	01512.0000	4	Lockwasher, Ext.-tooth #10

**(Continued)**

\* Indicates the part number listed is for reference only. See DESCRIPTION for possible service replacement.

(Continued)



**ELECTRICAL CONTROLS AND INDICATOR LIGHTS**  
**(U3A after SN U300004095)**

ITEM	PART NO.	QTY.	DESCRIPTION
<b>The following items are not illustrated:</b>			
23	29445.1000	1	Wiring Harness, Digital Timer (Late Models)
24	27945.0002	1	Thermal Cut-Off, 8.5" LG - Red - Contactor to Left Tank Heater (U3)
	27945.0000	1	Thermal Cut-Off, 8.5" LG - Black - Contactor to Left Tank Heater (U3)
25	27945.0001	1	Thermal Cut-Off, 12" LG - Black - Contactor to Right Tank Heater (U3)
	27945.0003	1	Thermal Cut-Off, 12" LG - RED - Contactor to Right Tank Heater (U3)
26	27945.0011	1	Thermal Cut-Off, 16" LG - Blue - Terminal Block to Left Tank Heater(U3A)
	27945.0012	1	Thermal Cut-Off, 16" LG - Black - Terminal Block to Right Tank Heater (U3A)
27	02240.0001	1	Lead Assembly, Electrical - Pink & Gray - Timer to Selector Switch
28	27942.0000	1	Wiring Harness - Main 2W 240V
	01846.0002	1	Wiring Harness, Main 120/240V (Models with Master ON/OFF Switch)
28	32400.0001	-	Digital Timer Kit - 240V (Replaces early timer with Digital Timer) (Includes items 14, 15, 23 & Batch Set Decal)
29	38920.0010	1	Wiring Harness, Master ON/OFF Switch (U3)

\* Indicates the part number listed is for reference only. See DESCRIPTION for possible service replacement.

## NUMERICAL INDEX

PART NO.	PAGE NO.	PART NO.	PAGE NO.	PART NO.	PAGE NO.	PART NO.	PAGE NO.
00401.0000.....	31	01278.0000.....	29,33	03093.0001.....	27,31	07060.0000.....	27,31
00406.0001.....	15	01284.0000.....	29,31	03132.0002.....	29,33	07061.0000.....	27
00427.0000.....	25	01287.0000.....	27,31	03230.0001.....	37,41	07064.0000.....	27,31
00443.0001.....	25	01291.0000.....	27,31	03231.0000.....	37,41	07065.1000.....	19
00458.0001.....	15	01292.0000.....	27,31	03408.0000.....	9	07066.1000.....	19
00471.0000.....	29,33	01293.0000.....	27,31	03409.0000.....	9	07069.1000.....	19
00502.0000.....	7	01298.1000.....	27,31	03993.0000.....	7	07070.0000.....	37,41
00600.0000.....	29,33	01308.0000.....	25,39	03996.0000.....	7	07072.0000.....	13
00601.0000.....	29,31	01308.0002.....	39,41	04225.0002.....	37	07073.0001.....	19
00603.0000.....	13,17	01309.0000.....	35	05000.0000.....	39	07074.1000.....	37
00606.0000.....	17	01311.0000.....	7,27,31	06335.1000.....	37	07074.1009.....	37,41
00620.0000.....	21,23	01311.0000.....	35,39	06335.1002.....	37	07075.0000.....	13,17
00637.0006.....	25	01315.0000.....	5,7,9,11	06374.0000.....	29,33	07079.0000.....	27,31
00656.0000.....	5	01315.0000.....	19,21,23	06420.0000.....	25	07083.1000.....	13
00674.0000.....	29,33	01315.0000.....	29,33,37,41	07001.1000.....	5	07086.0000.....	21,23
00675.0000.....	29,33	01317.0000.....	5	07001.1002.....	5	07087.1000.....	19
00704.0000.....	11	01318.0000.....	35	07002.1000.....	5	07092.1003.....	11
00718.0000.....	37,41	01320.0000.....	37,41	07003.0000.....	27	07094.0000.....	29,31
00720.0000.....	19	01322.0000.....	35	07004.0000.....	27	07096.0002.....	29
00725.0000.....	9	01327.0000.....	9,15,35	07005.0000.....	27	07096.0002.....	33
00824.0000.....	35	01327.0000.....	37,39,41	07011.0000.....	25	07097.0000.....	21,23
00824.0001.....	35	01338.0000.....	25	07012.0000.....	27	07097.0004.....	21,23
00831.0000.....	5	01339.0000.....	9	07014.0000.....	21,23,37	07097.0006.....	21,23
00842.0000.....	29,33	01359.0000.....	25	07018.0001.....	25	07097.0008.....	21,23
00855.0000.....	29	01360.0002.....	11	07019.0001.....	25	07098.0001.....	11
00875.0000.....	5,7,33	01364.0000.....	11	07019.0002.....	25	07098.0002.....	11
00878.0000.....	5	01370.0000.....	35	07021.0002.....	9	07098.0003.....	11
00906.0000.....	9	01375.0000.....	35	07021.0004.....	9	07099.0000.....	29,31
00908.0000.....	11,37,41	01501.0000.....	15	07022.0012.....	9	07101.0000.....	29,33
00912.0000.....	37,39,41	01502.0000.....	29,33	07022.0013.....	9	07104.0000.....	37
00917.0000.....	5	01512.0000.....	35,37,39,41	07023.0002.....	9	07104.0004.....	37
00924.0000.....	25	01520.0000.....	9	07023.0003.....	9	07105.0000.....	37
00929.0001.....	17	01522.0000.....	35,37	07024.1002.....	9	07109.0000.....	13,17
00932.0000.....	35	01524.0000.....	29,33	07026.1002.....	25	07110.0000.....	27,31
00970.0000.....	21,23	01526.0000.....	7	07027.1003.....	11	07111.0000.....	13,17
00970.0000.....	25,35	01530.0000.....	25	07032.0000.....	27,31	07112.0000.....	13,17
01061.0000.....	37	01531.0000.....	35	07034.0000.....	29,33	07113.0001.....	27,33
01079.0000.....	15	01536.0000.....	13,17	07036.0000.....	29,33	07113.1002.....	27,33
01085.0000.....	15	01537.0000.....	13	07037.1000.....	13	07114.0000.....	29,31
01100.0000.....	15	01663.0000.....	39,41	07038.0000.....	35	07117.0000.....	13,17
01101.0000.....	15	01846.0001.....	39	07038.0001.....	35	07119.0000.....	27,31
01111.0000.....	15	01846.0002.....	39	07039.1000.....	7	07121.0002.....	11
01116.0000.....	15	01846.0002.....	43	07044.0000.....	21,23	07121.0006.....	11
01192.0000.....	9	01848.0001.....	39	07045.0000.....	19	07121.0010.....	11
01201.0000.....	25,29,33	01975.0000.....	15	07045.0002.....	19	07121.0014.....	11
01218.0000.....	27,31	02240.0001.....	39,43	07047.0000.....	21,23	07122.1000.....	5
01219.0000.....	29,31	02308.0000.....	35	07048.1000.....	37	07123.0000.....	31
01221.0000.....	27,31	02319.0000.....	9	07051.1000.....	13,17	07124.0000.....	31
01258.0000.....	13,17	02322.0000.....	5	07052.0000.....	13	07127.0000.....	29,31
01260.1000.....	37	02328.0000.....	39	07052.0002.....	13	07129.1000.....	21,23
01262.0000.....	29,33	02328.0003.....	19	07053.0001.....	35	07148.1000.....	25
01265.1000.....	27,31	02328.0004.....	9	07054.0000.....	35	07149.0000.....	25
01267.0000.....	27,31	02536.0000.....	13,17,39,41	07055.0000.....	35	07150.1000.....	25
01268.0000.....	27,31	02564.0002.....	11	07056.0000.....	35	07167.0000.....	21,23
01275.0000.....	29,33	02618.1000.....	39	07059.0003.....	33,27	07175.0000.....	9
01276.0000.....	29,33	02806.0000.....	39	07059.1002.....	33,27	07176.0000.....	9

## NUMERICAL INDEX

PART NO.	PAGE NO.	PART NO.	PAGE NO.	PART NO.	PAGE NO.	PART NO.	PAGE NO.
07177.0002.....	9	21012.0017.....	39	28628.0000.....	23		
07177.0003.....	9	21012.0018.....	39	28629.0000.....	23		
07179.0000.....	39	21238.0000.....	19	28630.0000.....	21,23		
07181.0000.....	39	21472.0000.....	9	28630.0001.....	21,23		
07183.0000.....	37	21652.0000.....	39	28631.0000.....	23		
07185.1000.....	19	21667.0000.....	5	28631.0001.....	23		
07186.1000.....	19	21667.0001.....	5	28632.0000.....	23		
07187.0001.....	29	21667.0002.....	5	28707.0001.....	29,33		
07190.1000.....	19	21695.0001.....	13	28707.0002.....	29,33		
07191.1000.....	19	21807.0003.....	15	28708.0000.....	29,33		
07203.1001.....	25	21862.0000.....	39	29299.0000.....	5		
07213.0000.....	25	21862.0001.....	39	29329.1000.....	19		
07213.0001.....	25	21863.0001.....	39	29445.1000.....	39,43		
07222.0000.....	7	21869.0000.....	35	29648.0000.....	13,17		
07226.0000.....	5	21888.0001.....	39	29649.0000.....	13,17		
07226.0002.....	5	22134.0001.....	39	32400.0000.....	39		
07226.0003.....	5	23720.0000.....	13,17	32400.0001.....	39,43		
07236.0000.....	5	23721.0000.....	13,17	32400.0002.....	37		
07236.0001.....	5	23723.0000.....	13,17	32400.0003.....	37,41		
07236.0002.....	5	26687.0003.....	27,31	32530.0001.....	39,41		
07238.0000.....	5	27596.0001.....	15	32540.0001.....	7		
07239.0000.....	5	27687.0000.....	35	32859.1000.....	7		
07239.0002.....	5	27691.0002.....	41	32871.0000.....	25		
07240.0000.....	5	27705.0000.....	35	32899.0000.....	25		
07241.0001.....	37,41	27727.0001.....	41	32904.0000.....	25		
07246.1000.....	37,41	27903.0000.....	5	32905.0000.....	25		
07248.0000.....	5	27904.0001.....	41	32947.0000.....	25		
07261.0000.....	13	27905.0000.....	41	33651.0000.....	25		
07261.0001.....	13	27906.1000.....	41	33721.0000.....	41		
07264.0000.....	13	27907.0000.....	17	33723.0000.....	41		
07284.0000.....	7	27923.0000.....	19	33727.0000.....	17		
07285.0000.....	7	27942.0000.....	43	33729.0000.....	17		
07286.0000.....	7	27945.0000.....	43	36994.0000.....	15		
07288.0000.....	5	27945.0001.....	43	36994.0001.....	15		
07289.0001.....	5	27945.0002.....	43	36996.0000.....	15		
07289.0002.....	5	27945.0011.....	43	37005.0000.....	15		
10492.0000.....	7	27945.0012.....	43	37881.0000.....	7		
10494.0000.....	7	28020.0000.....	13,17	38894.0001.....	39,41		
10495.0000.....	7	28021.0000.....	13,17	38920.0010.....	39,43		
10495.0001.....	7	28034.0000.....	39	41193.0003.....	11		
12398.0000.....	19	28036.0000.....	39	41193.1002.....	11		
12555.0000.....	7	28037.0000.....	17	46555.1000.....	15		
12593.0000.....	7,33	28040.0000.....	17				
12984.0006.....	37	28043.0000.....	17				
12984.0007.....	37	28064.1000.....	5				
13255.0002.....	7	28064.1004.....	5				
20203.0100.....	37	28529.1000.....	39,41				
20203.0100.....	41	28530.0000.....	17				
20502.0000.....	9	28614.0000.....	23				
20504.0000.....	9	28617.0000.....	21,23				
20505.0000.....	9	28618.0000.....	23				
20507.0001.....	9	28618.0001.....	23				
20508.0001.....	9	28623.0000.....	23				
20508.0003.....	9	28624.0000.....	23				
20762.0000.....	19	28626.0000.....	23				
21001.0258.....	39	28626.0001.....	23				