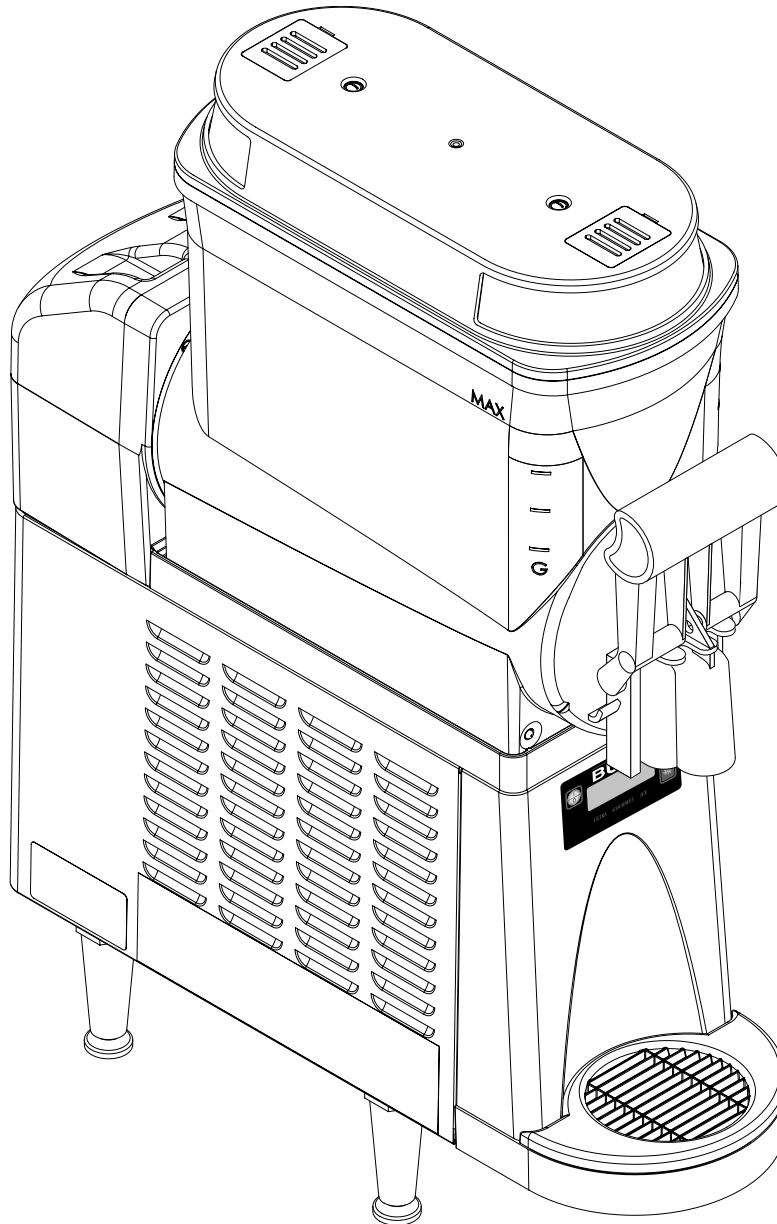


BUNN®

ULTRA-1



ILLUSTRATED PARTS CATALOG

Designs, materials, weights, specifications, and dimensions for equipment or replacement parts are subject to change without notice.

BUNN-O-MATIC CORPORATION

POST OFFICE BOX 3227

SPRINGFIELD, ILLINOIS 62708-3227

PHONE: (217) 529-6601 FAX: (217) 529-6644



40562.0002F 09/14 ©2012 Bunn-O-Matic Corporation

DIR Num: 40562.0002

14, October 2014

REVIEW

BUNN-O-MATIC COMMERCIAL PRODUCT WARRANTY

Bunn-O-Matic Corp. ("BUNN") warrants equipment manufactured by it as follows:

- 1) Airpots, thermal carafes, decanters, GPR servers, iced tea/coffee dispensers, MCR/MCP/MCA single cup brewers, thermal servers and ThermoFresh® servers (mechanical and digital) 1 year parts and 1 year labor.
- 2) All other equipment - 2 years parts and 1 year labor plus added warranties as specified below:
 - a) Electronic circuit and/or control boards - parts and labor for 3 years.
 - b) Compressors on refrigeration equipment - 5 years parts and 1 year labor.
 - c) Grinding burrs on coffee grinding equipment to grind coffee to meet original factory screen sieve analysis - parts and labor for 4 years or 40,000 pounds of coffee, whichever comes first.

These warranty periods run from the date of installation BUNN warrants that the equipment manufactured by it will be commercially free of defects in material and workmanship existing at the time of manufacture and appearing within the applicable warranty period. This warranty does not apply to any equipment, component or part that was not manufactured by BUNN or that, in BUNN's judgment, has been affected by misuse, neglect, alteration, improper installation or operation, improper maintenance or repair, non periodic cleaning and descaling, equipment failures related to poor water quality, damage or casualty. In addition, the warranty does not apply to replacement of items subject to normal use including but not limited to user replaceable parts such as seals and gaskets. This warranty is conditioned on the Buyer 1) giving BUNN prompt notice of any claim to be made under this warranty by telephone at (217) 529-6601 or by writing to Post Office Box 3227, Springfield, Illinois 62708-3227; 2) if requested by BUNN, shipping the defective equipment prepaid to an authorized BUNN service location; and 3) receiving prior authorization from BUNN that the defective equipment is under warranty.

THE FOREGOING WARRANTY IS EXCLUSIVE AND IS IN LIEU OF ANY OTHER WARRANTY, WRITTEN OR ORAL, EXPRESS OR IMPLIED, INCLUDING, BUT NOT LIMITED TO, ANY IMPLIED WARRANTY OF EITHER MERCHANTABILITY OR FITNESS FOR A PARTICULAR PURPOSE. The agents, dealers or employees of BUNN are not authorized to make modifications to this warranty or to make additional warranties that are binding on BUNN. Accordingly, statements by such individuals, whether oral or written, do not constitute warranties and should not be relied upon.

If BUNN determines in its sole discretion that the equipment does not conform to the warranty, BUNN, at its exclusive option while the equipment is under warranty, shall either 1) provide at no charge replacement parts and/or labor (during the applicable parts and labor warranty periods specified above) to repair the defective components, provided that this repair is done by a BUNN Authorized Service Representative; or 2) shall replace the equipment or refund the purchase price for the equipment.

THE BUYER'S REMEDY AGAINST BUNN FOR THE BREACH OF ANY OBLIGATION ARISING OUT OF THE SALE OF THIS EQUIPMENT, WHETHER DERIVED FROM WARRANTY OR OTHERWISE, SHALL BE LIMITED, AT BUNN'S SOLE OPTION AS SPECIFIED HEREIN, TO REPAIR, REPLACEMENT OR REFUND.

In no event shall BUNN be liable for any other damage or loss, including, but not limited to, lost profits, lost sales, loss of use of equipment, claims of Buyer's customers, cost of capital, cost of down time, cost of substitute equipment, facilities or services, or any other special, incidental or consequential damages.

392, A Partner You Can Count On, Air Infusion, AutoPOD, AXIOM, BrewLOGIC, BrewMETER, Brew Better Not Bitter, BrewWISE, BrewWIZARD, BUNN Espresso, BUNN Family Gourmet, BUNN Gourmet, BUNN Pour-O-Matic, BUNN, BUNN with the stylized red line, BUNNlink, Bunn-O-Matic, Bunn-O-Matic, BUNNserve, BUNNSERVE with the stylized wrench design, Cool Froth, DBC, Dr. Brew stylized Dr. design, Dual, Easy Pour, EasyClear, EasyGard, FlavorGard, Gourmet Ice, Gourmet Juice, High Intensity, iMIX, Infusion Series, Intellisteam, My Café, Phase Brew, PowerLogic, Quality Beverage Equipment Worldwide, Respect Earth, Respect Earth with the stylized leaf and coffee cherry design, Safety-Fresh, savemycoffee.com, Scale-Pro, Silver Series, Single, Smart Funnel, Smart Hopper, SmartWAVE, Soft Heat, SplashGard, The Mark of Quality in Beverage Equipment Worldwide, ThermoFresh, Titan, trifacta, TRIFECTA (stylized logo), Velocity Brew, Air Brew, Beverage Bar Creator, Beverage Profit Calculator, Brew better, not bitter., Build-A-Drink, BUNNSource, Coffee At Its Best, Cyclonic Heating System, Daypart, Digital Brewer Control, Element, Milk Texturing Fusion, Nothing Brews Like a BUNN, Picture Prompted Cleaning, Pouring Profits, Signature Series, Sure Tamp, Tea At Its Best, The Horizontal Red Line, Ultra are either trademarks or registered trademarks of Bunn-O-Matic Corporation. The commercial trifacta® brewer housing configuration is a trademark of Bunn-O-Matic Corporation.

TABLE OF CONTENTS

Auger Drive and Cooling Drum 12

Compressor and Mounting (120V and 230V Models)..... 18

Compressor and Mounting (120V and 230V Models)..... 20

Condenser and Fan Mounting 16

Electrical and Operating Controls 24

Housing, Panels and Drip Tray 4

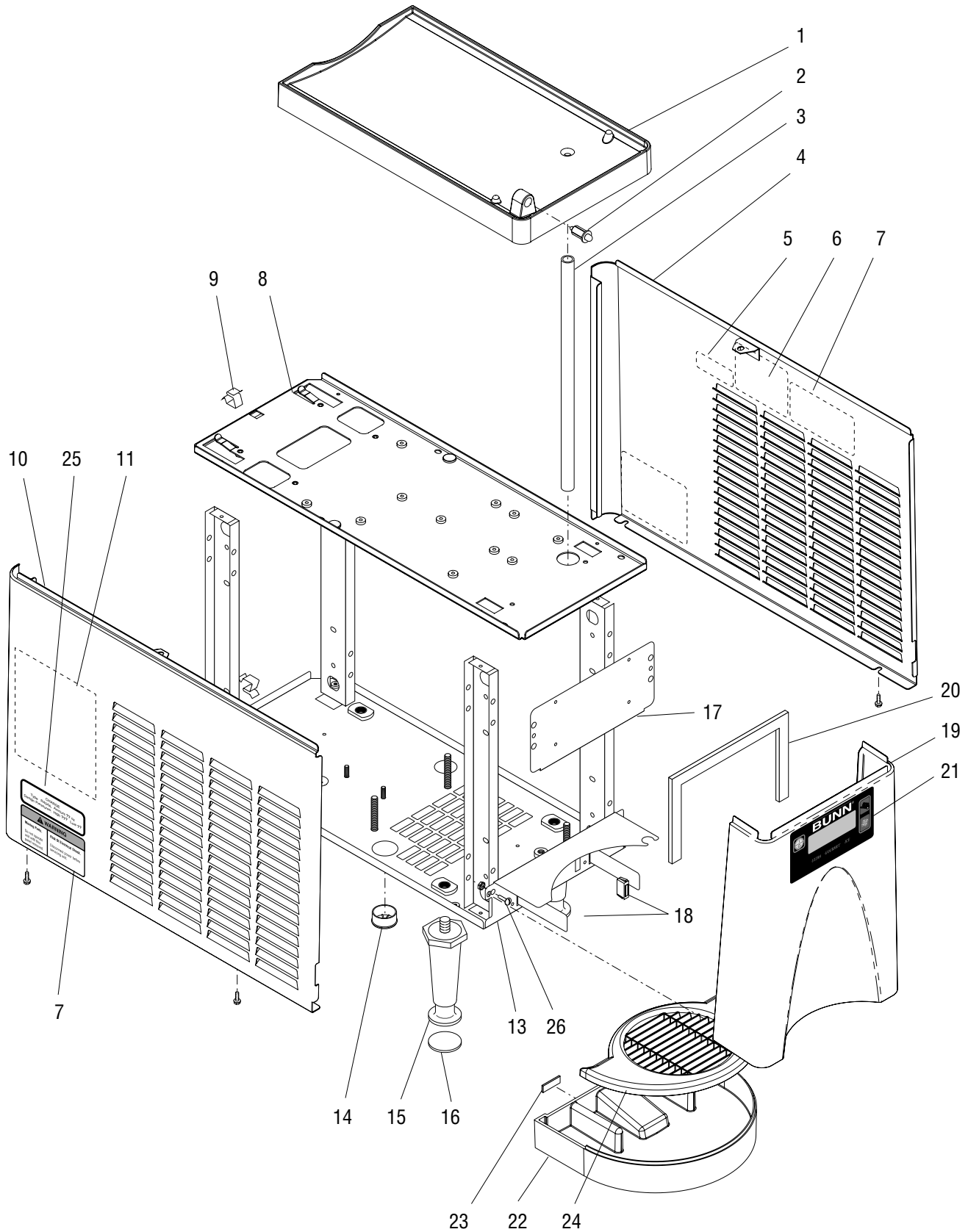
Hopper, Cover and Faucet 8

Internal Liquid Autofill Kit (Optional)..... 26

Numerical Index..... 28

Solenoid and Coolant Piping 22

Liquid Autofill (LAF CF) Kit..... 10



P3943

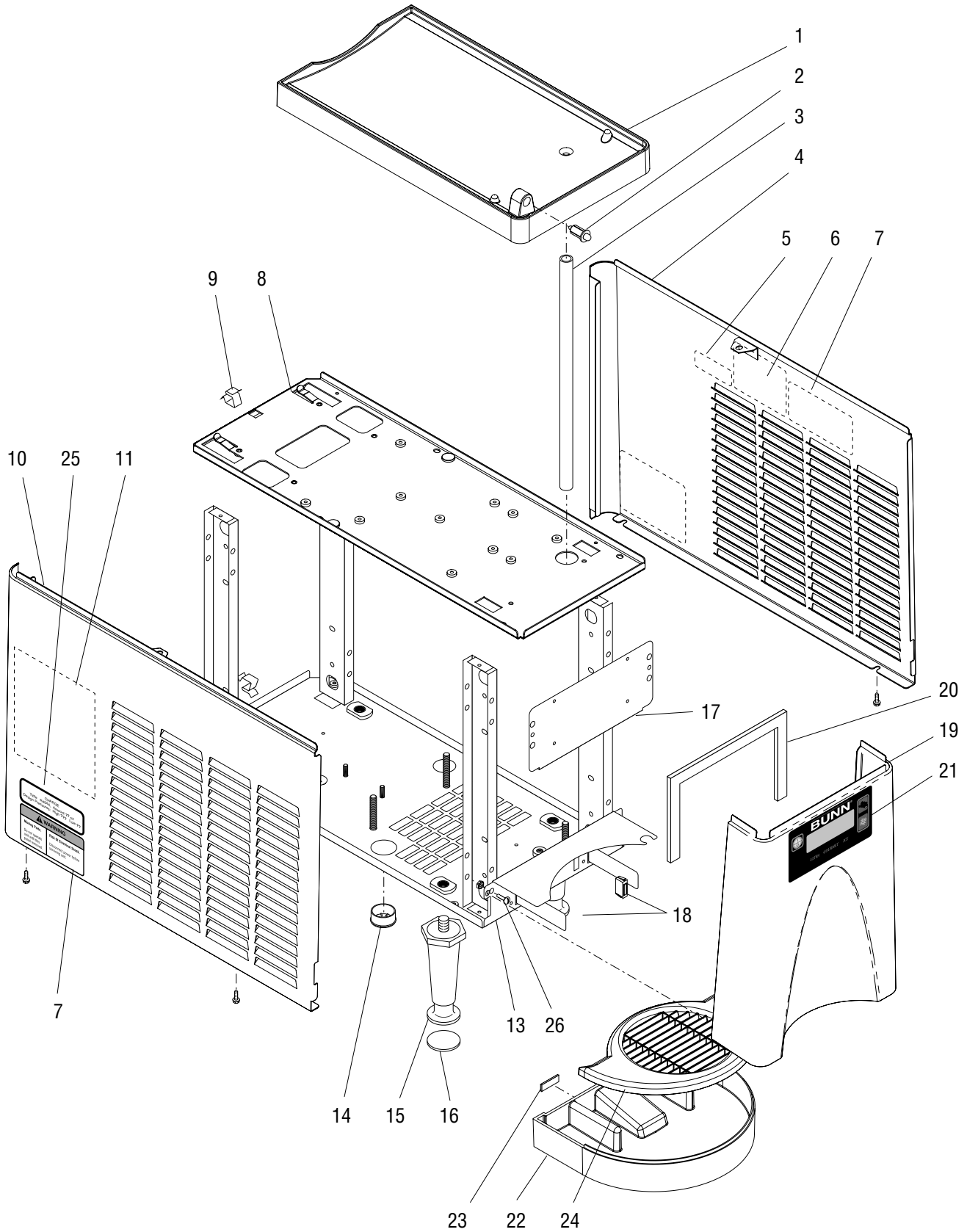
HOUSING, PANELS AND DRIP TRAYS

| ITEM | PART NO. | QTY. | DESCRIPTION |
|------|-------------|------|---|
| 1 | 39898.1000 | 1 | Drip Tray, Hopper - WHI (Includes item 2) |
| | 39898.1001 | 1 | Drip Tray, Hopper - BLK (Includes item 2) |
| | 02308.0000 | 4 | Screw, Pan Head Serrated #8-32 x .375" |
| 2 | 29702.1000 | 1 | Plunger Assy, Hopper Lock |
| 3 | 12421.0010* | 2 | Tube, Drain .375" I.D. x .50" O.D. x 11.25" (Order item 27) |
| 4 | 40010.1000 | 1 | Panel W/Decals, Right Side - SST (Includes items 5-7) |
| | 40010.1002 | 1 | Panel W/Decals, Right Side - BLK (Includes items 5-7) |
| | 32580.0000 | 2 | Screw, Hex Head #6-32 x .25" |
| 5 | 29979.0000 | 1 | Decal, Room Temperature |
| 6 | 00986.0002 | 1 | Decal, Warning - Electrical |
| 7 | 27442.0000 | 2 | Decal, Warning - Moving Parts |
| 8 | 39889.0000* | 1 | Panel, Top |
| | 02335.0001 | 4 | Screw, Hex Head Crimptite #8-32 x .38" |
| 9 | 00927.0000 | 2 | Clip, Spring |
| 10 | 40010.1001 | 1 | Panel W/Decals, Left Side - SST (Includes items 7,11,12 & 25) |
| | 40010.1003 | 1 | Panel W/Decals, Left Side - BLK (Includes items 7,11,12 & 25) |
| | 32580.0000 | 2 | Screw, Hex Head #6-32 x .25" |
| 11 | 40561.0000 | 1 | Schematic, Electrical |
| 12 | 29959.0002 | 1 | Decal, Cleaning Instructions (Early Models)(Not Illustrated) |
| 13 | 39887.0003* | 1 | Chassis |
| 14 | 20622.0005 | 1 | Bushing |
| 15 | 26528.0000 | 4 | Leg, Black Plastic - 4" Adj. (See item 28) |
| 16 | 03996.0000 | 4 | Pad, Rubber - 4" Adj. Legs (See item 28) |
| 17 | 39892.0001* | 1 | Bracket |
| | 02335.0001 | 4 | Screw, Hex Head Crimptite #8-32 x .38" |
| 18 | 21436.0000 | 2 | Catch, Magnetic |
| 19 | 39893.1000 | 1 | Panel, Front - SST (Includes items 20 & 21) |
| | 39893.1001 | 1 | Panel, Front - BLK (Includes items 20 & 21) |
| | 02308.0000 | 2 | Screw, Pan Head Serrated #8-32 x .375" |
| 20 | 29967.0003 | 1 | Gasket, Electronic Box |
| 21 | 39897.0000 | 1 | Membrane Switch |
| 22 | 39917.1000 | 1 | Drip Tray Kit - WHI (Includes items 23 & 24) |
| | 39917.1001 | 1 | Drip Tray Kit - BLK (Includes items 23 & 24) |
| 23 | 35607.0000* | 2 | Strike Assy, Self Adhesive |

(Continued)

* Indicates the part number listed is for reference only. See DESCRIPTION for possible service replacement.

(Continued)



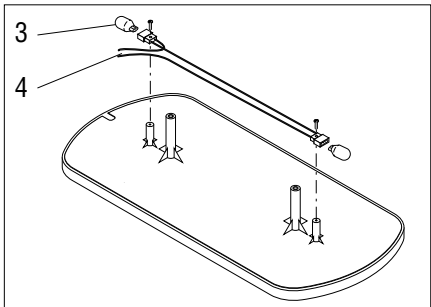
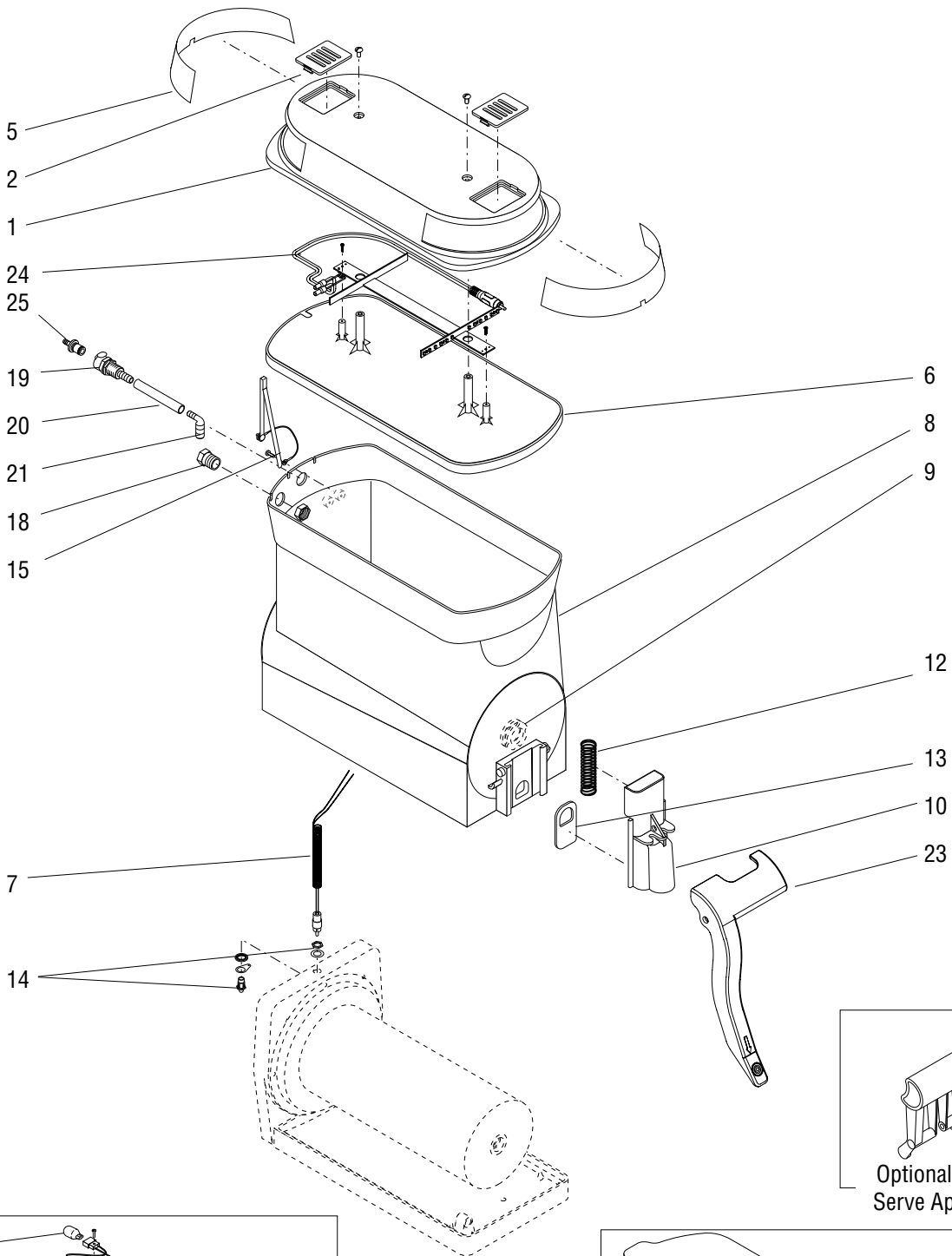
P3943

HOUSING, PANELS AND DRIP TRAYS

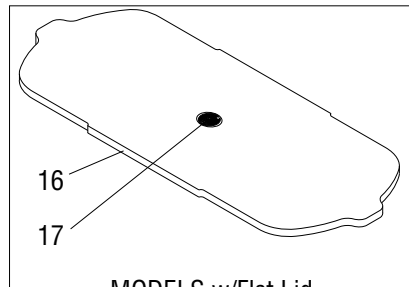
| ITEM | PART NO. | QTY. | DESCRIPTION |
|------|------------|------|--|
| 24 | 39725.0000 | 1 | Cover, Drip Tray - WHI |
| | 39725.0001 | 1 | Cover, Drip Tray - BLK |
| 25 | 32162.0001 | 1 | Decal, Coolant Charge (ULTRA-1) |
| | 29373.0001 | 1 | Decal, Coolant Charge (ULTRA-1A) |
| 26 | 02308.0000 | 2 | Screw, Pan Head Serrated #8-32 x .375" |
| | 00970.0000 | 2 | Nut, KEPS #8-32 |
| 27 | 12421.1001 | - | Tube, Clear Vinyl (12" Long) |
| | 12421.1002 | - | Tube, Clear Vinyl (60" Long) |
| 28 | 13255.0003 | - | Leg Kit, 4" Adj. Legs (Includes 4 Legs and Pads) |

} Not Illustrated

* Indicates the part number listed is for reference only. See DESCRIPTION for possible service replacement.



Early Models with Incandescent Bulbs



MODELS w/Flat Lid

Optional For Crew
Serve Applications

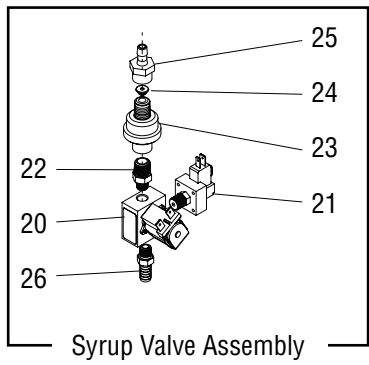
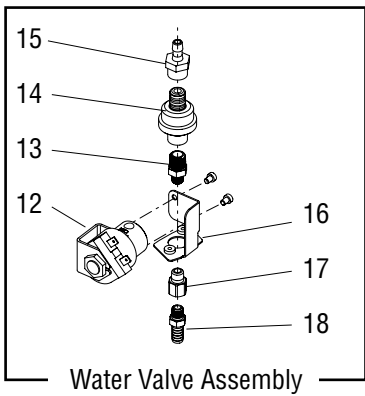
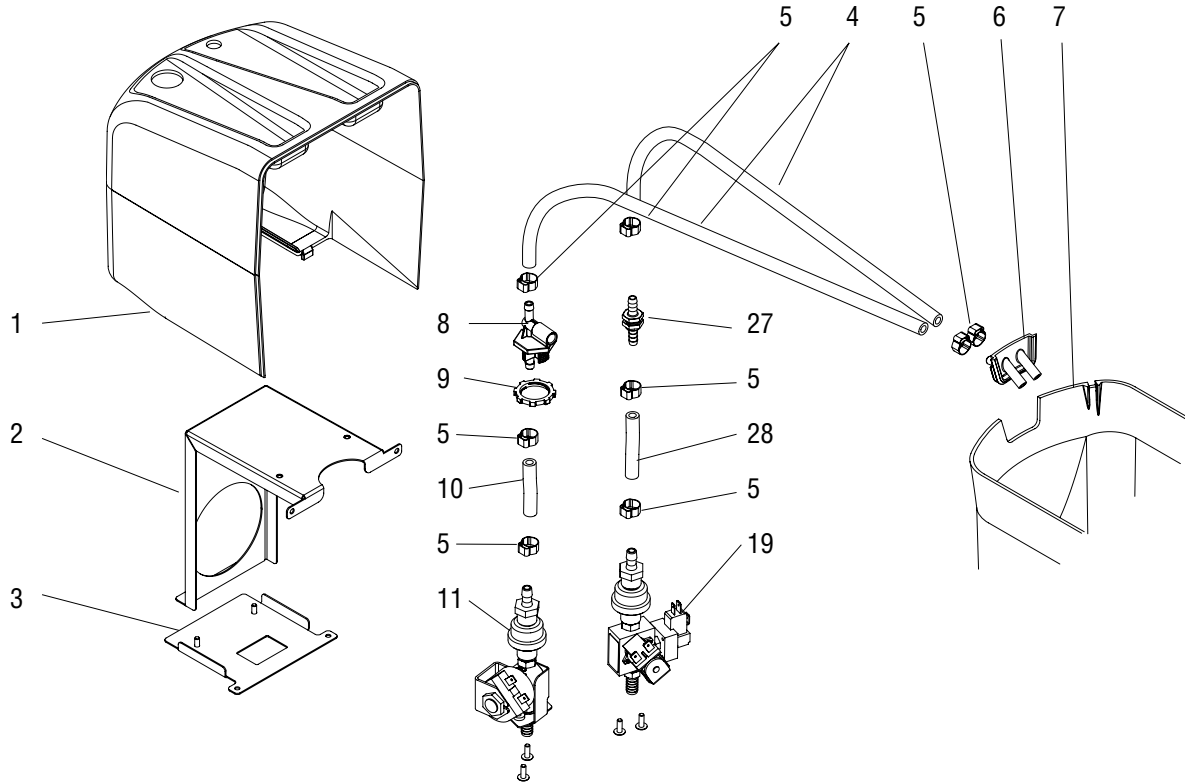
P3944

HOPPER, COVER AND FAUCET

| ITEM | PART NO. | QTY. | DESCRIPTION |
|------|-------------|------|--|
| - | 32069.1000 | 2 | Cover Assembly, Hopper, WHI (Includes items 1 thru 7)(Incandescent Bulb) |
| | 32069.1001 | 2 | Cover Assembly, Hopper, BLK (Includes items 1 thru 7)(Incandescent Bulb) |
| | 47315.0000 | 2 | Cover Assembly, Hopper, WHI (Includes items 1,2,5,6,7, and 24)(LED Lights) |
| | 47315.0001 | 2 | Cover Assembly, Hopper, BLK (Includes items 1,2,5,6,7, and 24)(LED Lights) |
| 1 | 32196.0000 | 1 | Cover, Hopper - WHI |
| | 32196.0001 | 1 | Cover, Hopper - BLK |
| | 01315.0000 | 2 | Screw, Truss Head #8-32 x .38" |
| 2 | 32105.0000 | 2 | Insert, Hopper Lid Vent - WHI |
| | 32105.0001 | 2 | Insert, Hopper Lid Vent - BLK |
| 3 | 27446.0000 | 2 | Lamp, T-5 Wedge Base |
| 4 | 27445.1000 | 1 | Lamp Holder/Socket Assy (Includes two of item 15) |
| | 32096.0000 | 2 | Screw, Pan Head #2-56 x .50" |
| 5 | 32266.0000 | 2 | Insert, Hopper Display |
| 6 | 32195.0000 | 1 | Liner Assy, Hopper Cover |
| 7 | 32267.1000 | 1 | Cord Assy, Lamp (Includes two of item 15) |
| 8 | 32190.1000 | 1 | Hopper Assy. (Includes item 9) |
| | 32190.1005 | 1 | Hopper Assy. (Models LAF CF)(Includes item 9) |
| 9 | 32189.0000 | 1 | Bushing, Auger Nose |
| 10 | 32191.0000 | 1 | Faucet - WHI |
| 11 | 32265.0001 | 1 | Handle, Faucet - BLK (Optional For Crew Serve Applications) |
| 12 | 32193.0000 | 1 | Spring, Faucet |
| 13 | 32268.1000 | 1 | Seal |
| 14 | 27643.1000 | 1 | Connector Assy (Includes Nut, Washer, Leads & Plug) |
| | 39967.0000 | 1 | Washer, SST |
| | 01532.0001 | 1 | Lockwasher, Internal-tooth .375" |
| 15 | 39257.0000 | 2 | Tether/Probe Kit (For Models Autofill Ready) |
| | 01393.0000 | 2 | Screw, Truss Head #6 x .25" |
| 16 | 29481.0001 | 1 | Cover, Flat (Includes item 17) |
| 17 | 00778.0000 | 1 | Decal, BUNN |
| 18 | 28776.0001 | 2 | Plug (One less used on Liquid Autofill with No Water lines) |
| | 24566.0000 | 2 | Nut |
| 19 | 28756.1000 | 2 | Fitting, Quick Disconnect, Female |
| 20 | 28755.0003* | 2 | Tube, Norprene .25" ID x 1.25" |
| 21 | 28770.0000 | 2 | Elbow .25" Barb x .50" Barb |
| 22 | 03851.0000 | 2 | Wire Nut (Not Illustrated) |
| 23 | 44614.1000 | 1 | Handle, Faucet (Low Level Access) |
| 24 | 46331.0001 | 1 | LED & Cord Assy |
| | 32096.0002 | 2 | Screw, Pan Head #2-28 x .38" |
| 25 | 38021.0000 | 1 | Fitting, Quick Disconnect, .25" Male |
| | 42921.0000 | 1 | Fitting, Quick Disconnect, .38" Male |

Internal Autofill
Ready Models

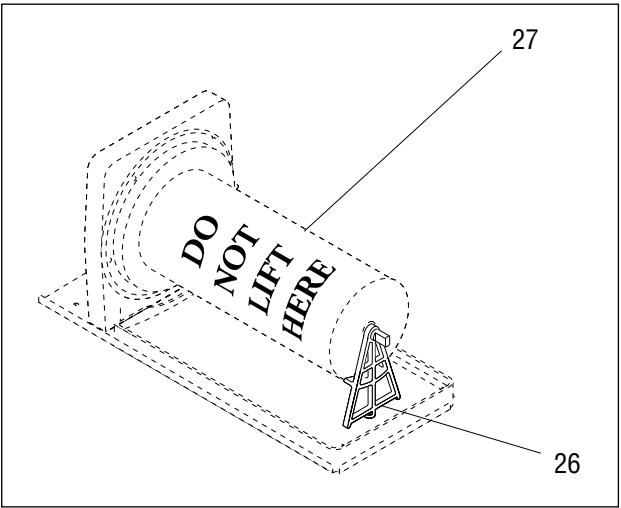
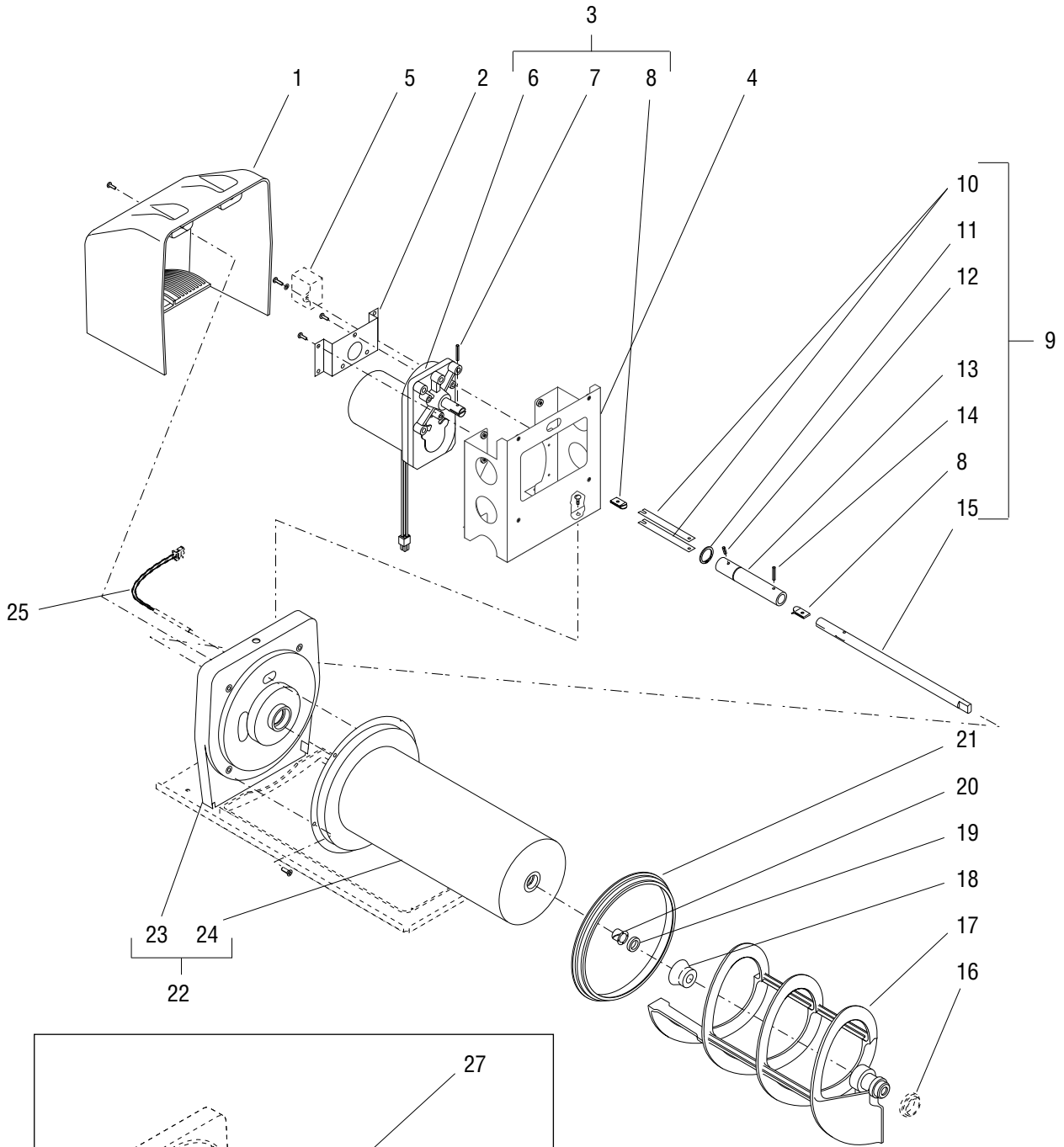
* Indicates the part number listed is for reference only. See DESCRIPTION for possible service replacement.



LIQUID AUTOFILL (LAF CF) KIT

| ITEM | PART NO. | QTY. | DESCRIPTION |
|------|-------------|------|--|
| 1 | ----- | 1 | Cover, Auger Motor (See AUGER DRIVE & COOLING DRUM) |
| 2 | 43145.0000 | 1 | Bracket, Support |
| | 00970.0000 | 4 | Nut, Keps #8-32 |
| 3 | 43131.0000 | 1 | Bracket, Cover Mounting |
| | 02308.0000 | 2 | Screw, Pan Head Serrated #8-32 x .375" |
| 4 | 38129.0017* | 2 | Hose, Braided .25" ID x 11.0" (Order item 29) |
| 5 | 21275.0006 | 8 | Clamp |
| 6 | 43823.0000 | 1 | Fitting |
| 7 | ----- | 1 | Hopper (See HOPPER, COVER AND FAUCET) |
| 8 | 43115.0000 | 1 | Valve, Needle |
| 9 | 45042.0000 | 1 | Locknut |
| 10 | 38129.0023* | 1 | Hose, Braided .25" ID x 1.75" (Order item 29) |
| 11 | 43130.1001 | 1 | Valve Assy, Water (Includes items 12 - 18) |
| | 01317.0000 | 2 | Screw, Truss Head #8-32 x .50" |
| 12 | 01085.0008 | 1 | Valve, Solenoid |
| | 44945.0000 | 2 | Screw |
| 13 | 46341.0000 | 1 | Fitting |
| 14 | 42193.0000 | 1 | CF Valve |
| 15 | 43124.0000 | 1 | Fitting |
| 16 | 43907.0000 | 1 | Bracket |
| 17 | 00430.0001 | 1 | Adapter |
| 18 | 43122.0002 | 1 | Fitting |
| 19 | 43130.1002 | 1 | Valve Assy, Syrup (Includes items 20 - 26) |
| | 01317.0000 | 2 | Screw, Truss Head #8-32 x .50" |
| 20 | 43128.0000 | 1 | Valve, Solenoid |
| 21 | 44011.0000 | 1 | Switch, Pressure |
| 22 | 46341.0000 | 1 | Fitting |
| 23 | 42193.0000 | 1 | CF Valve |
| 24 | 43941.0000 | 1 | Orifice, .0465 BLK |
| | 43941.0001 | 1 | Orifice, .0350 WHT |
| 25 | 43124.0000 | 1 | Fiting |
| 26 | 43122.0002 | 1 | Fitting |
| 27 | 43121.0000 | 1 | Fitting, Bulkhead |
| 28 | 38129.0005* | 1 | Hose, Braided .25" ID x 2.25" (Order item 29) |
| 29 | 38129.1000 | - | Hose, Braided .25" ID x 12.0" (Cut to required length) |
| 30 | 43841.0000 | 1 | Harness, Valve Wiring (not Illustrated) |

* Indicates the part number listed is for reference only. See DESCRIPTION for possible service replacement.



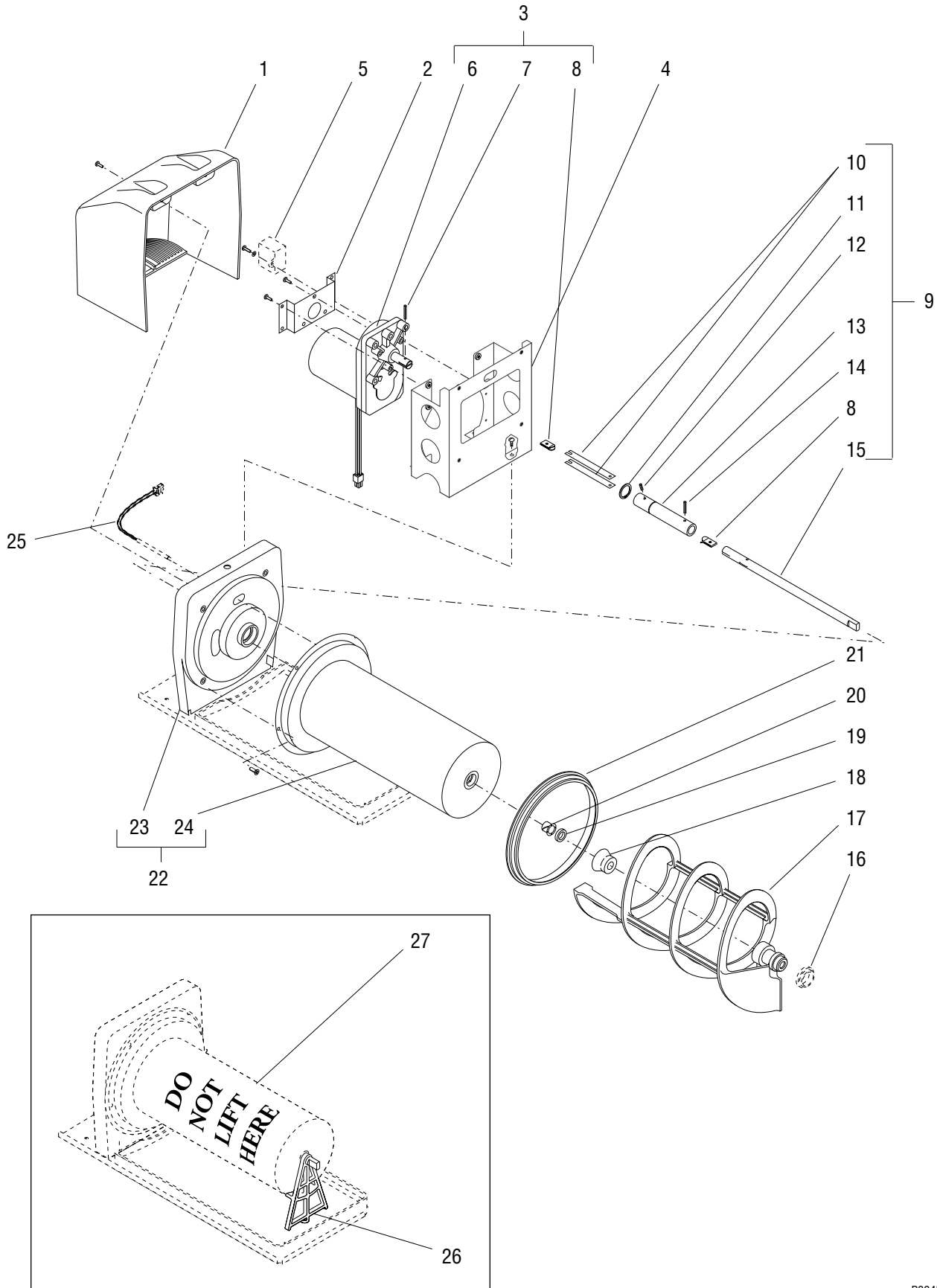
AUGER DRIVE AND COOLING DRUM

| ITEM | PART NO. | QTY. | DESCRIPTION |
|------|-------------|------|---|
| 1 | 27231.0000 | 1 | Cover, Auger Motor - WHI |
| | 27231.0001 | 1 | Cover, Auger Motor - BLK |
| | 43118.0000 | 1 | Cover, Auger Motor - WHI |
| | 43118.0001 | 1 | Cover, Auger Motor - BLK |
| | 01317.0000 | 2 | Screw, Truss Head #8-32 x .50" |
| 2 | 27232.0000 | 1 | Bracket, Auger Motor Mounting |
| | 02308.0000 | 3 | Screw, Pan Head Serrated #8-32 x .375" |
| 3 | 28093.1000 | 1 | Motor Assy, Auger 120V (Includes items 6, 7 & 8) |
| | 28093.1003 | 1 | Motor Assy, Auger 230V (Includes items 6, 7 & 8) |
| | 01326.0002 | 3 | Screw, Pan Head #10-32 x .375" |
| 4 | 32108.0002 | 1 | Bracket, Auger Motor/Cooling Drum Mounting |
| | 02308.0000 | 4 | Screw, Pan Head Serrated #8-32 x .375" |
| 5 | ----- | 1 | Capacitor, Motor (See ELECTRICAL AND OPERATING CONTROLS) |
| | 01317.0000 | 1 | Screw, Truss Head #8-32 x .50" |
| | 01501.0000 | 1 | Washer #8 |
| | 01511.0000 | 1 | Lockwasher, Ext.-tooth #8 |
| 6 | 27179.0004* | 1 | Motor Assembly, 120V, Auger (Order item 3) |
| | 27179.0005* | 1 | Motor Assembly, 230V, Auger (Order item 3) |
| 7 | 34836.0002 | 1 | Pin, Drive .125" O.D. x .94" |
| 8 | 27440.0000 | 2 | Bearing, Torsion Spring |
| 9 | 28081.0000 | 1 | Shaft Assy, Auger Drive (Includes items 8, 10 thru 15) (Also use item 28) |
| 10 | 27223.0000 | 2 | Spring, Torsion |
| 11 | 27228.0000 | 1 | Snap Ring |
| 12 | 11556.0001 | 1 | Pin, Split .125" O.D. x .437" |
| 13 | 27224.0000 | 1 | Retainer, Torsion Spring |
| 14 | 34836.0001 | 1 | Pin, Drive .125" O.D. x .75" |
| 15 | 32449.0000 | 1 | Shaft, Auger |
| 16 | 32189.0000 | 1 | Bushing, Auger - Front |
| 17 | 32106.1000 | 1 | Auger |
| 18 | 26780.0000 | 1 | Seal, Auger Shaft |
| 19 | 37593.0000 | 1 | Seal, Cooling Drum |
| 20 | 26781.0000 | 1 | Bushing, Auger Shaft |
| 21 | 32079.0000 | 1 | Seal, Cooling Drum/Hopper |
| 22 | 32092.0002 | 1 | Drum Assembly, Cooling - WHI (Includes items 23 & 24) |
| | 32092.1003 | 1 | Drum Assembly, Cooling - BLK (Includes items 23 & 24) |
| | 01377.0000 | 4 | Screw, Flat Head #8-32 x .75" |
| 23 | 42175.0002 | 1 | Mount Assembly, Cooling Drum - WHI |
| | 42175.0003 | 1 | Mount Assembly, Cooling Drum - BLK |

(Continued)

* Indicates the part number listed is for reference only. See DESCRIPTION for possible service replacement.

(Continued)

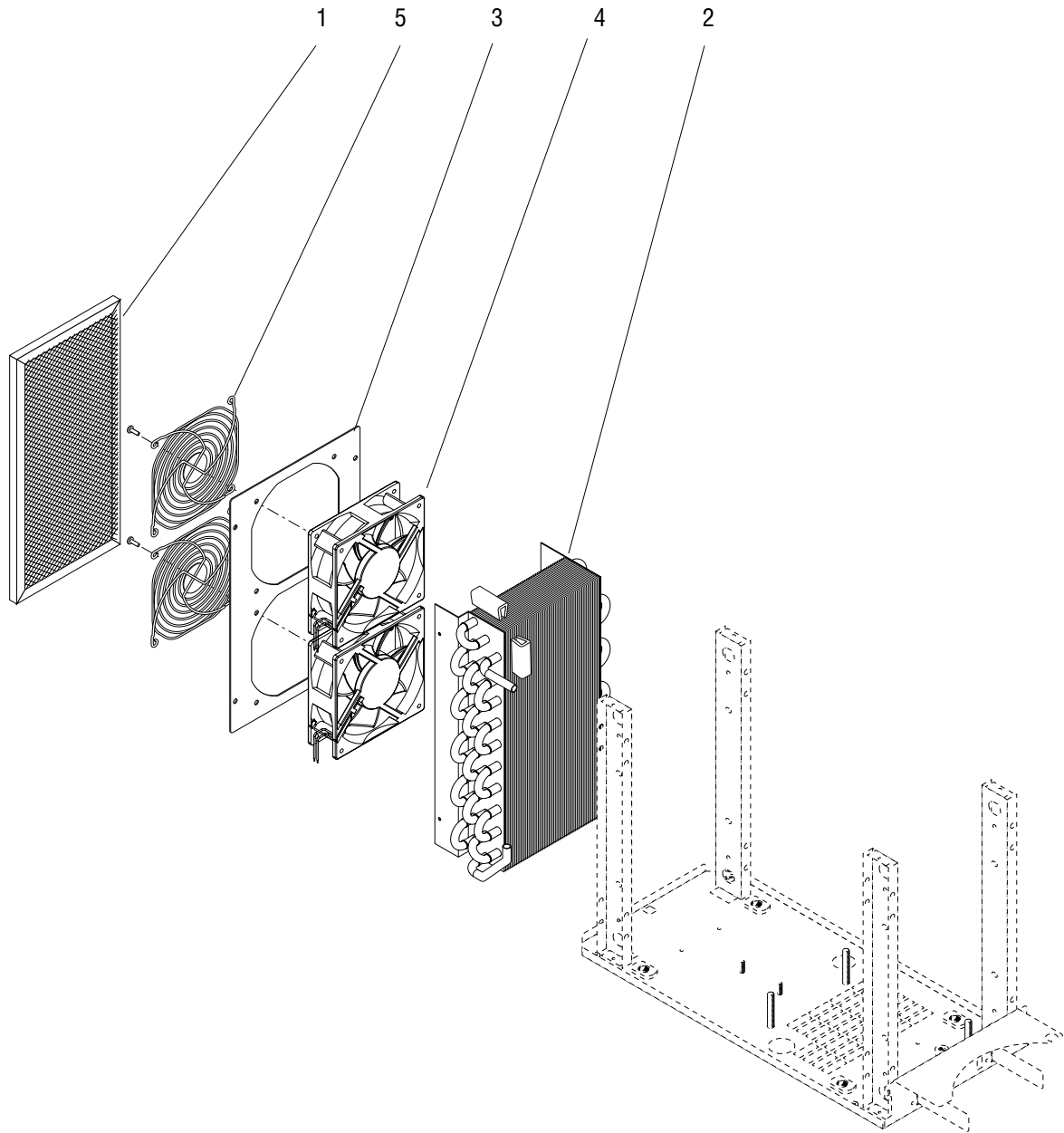


P3945

AUGER DRIVE AND COOLING DRUM

| ITEM | PART NO. | QTY. | DESCRIPTION |
|------|-------------|------|--|
| 24 | ----- | 1 | Drum, Cooling (Not Available. Order item 22) |
| 25 | ----- | - | Temperature Sensor Assy (See ELECTRICAL AND OPERATING CONTROLS) |
| 26 | 28027.0000 | 1 | Support, Cooling Drum (For Shipping and Cooling Drum Adjustment) |
| 27 | 28236.0000* | 1 | Label, DO NOT LIFT HERE (For Shipping Only) |
| 28 | M2548.1001 | - | Lubricant, Krytox .50 oz (Not illustrated) |

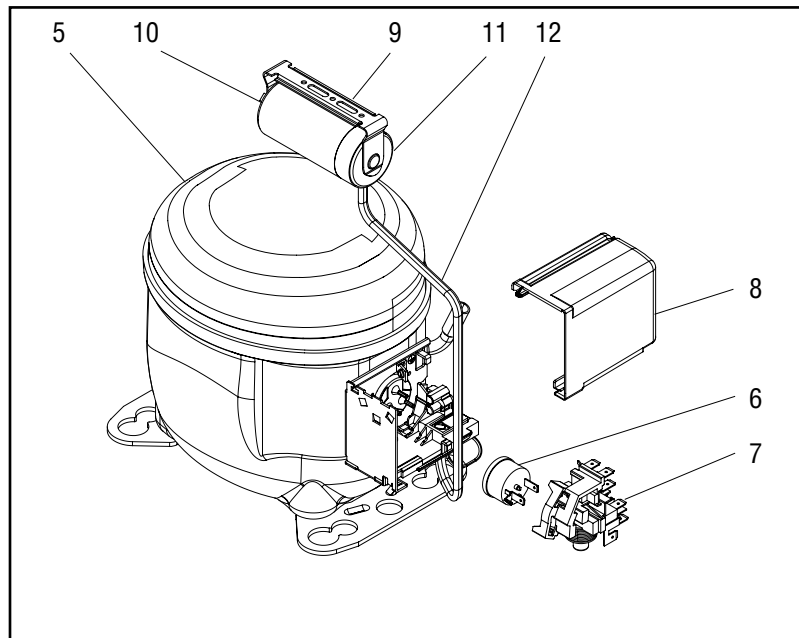
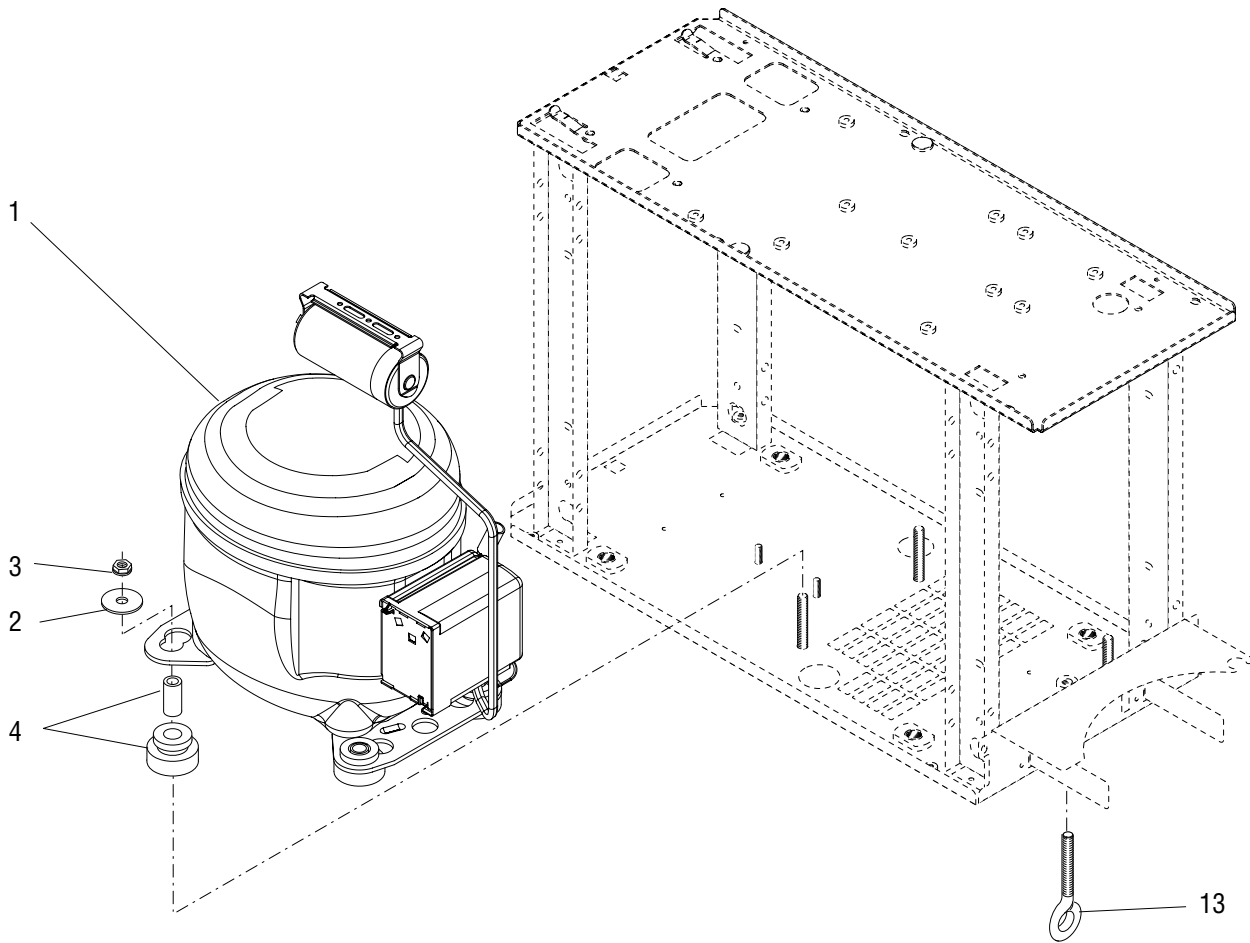
* Indicates the part number listed is for reference only. See DESCRIPTION for possible service replacement.



CONDENSER AND FAN MOUNTING

| ITEM | PART NO. | QTY. | DESCRIPTION |
|------|-------------|------|--|
| 1 | 39919.0000 | 1 | Filter, Air |
| 2 | 39966.0001 | 1 | Condenser Assy |
| | 02335.0001 | 4 | Screw, Hex Head Crimptite #8-32 x .38" |
| 3 | 39903.0000* | 1 | Shroud, Fan |
| | 02335.0001 | 4 | Screw, Hex Head Crimptite #8-32 x .38" |
| 4 | 40412.0001 | 2 | Fan Assy, Condenser - 12V |
| 5 | 34010.0001 | 2 | Guard, Fan |
| | 38616.0000 | 8 | Screw, Hex Head #10-24 |

* Indicates the part number listed is for reference only. See DESCRIPTION for possible service replacement.

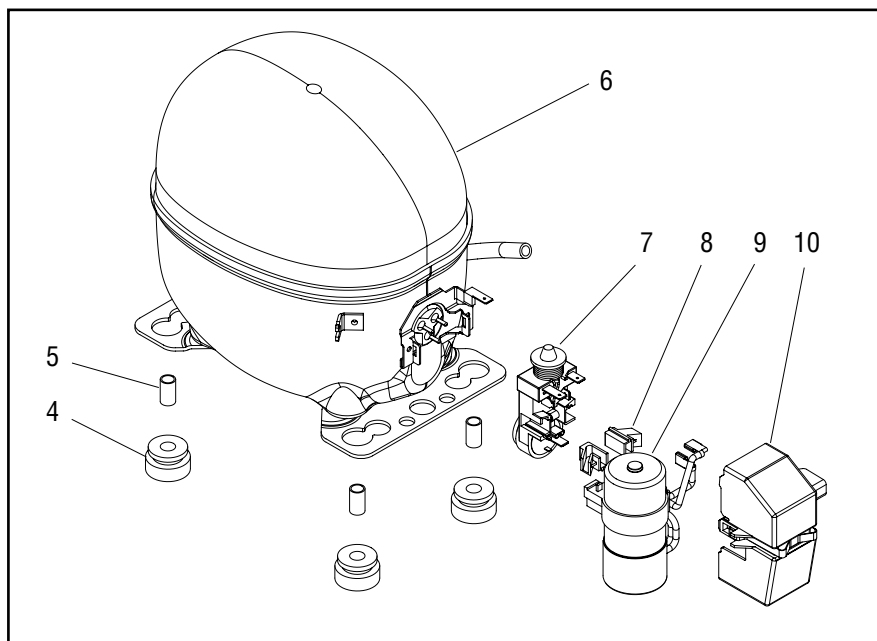
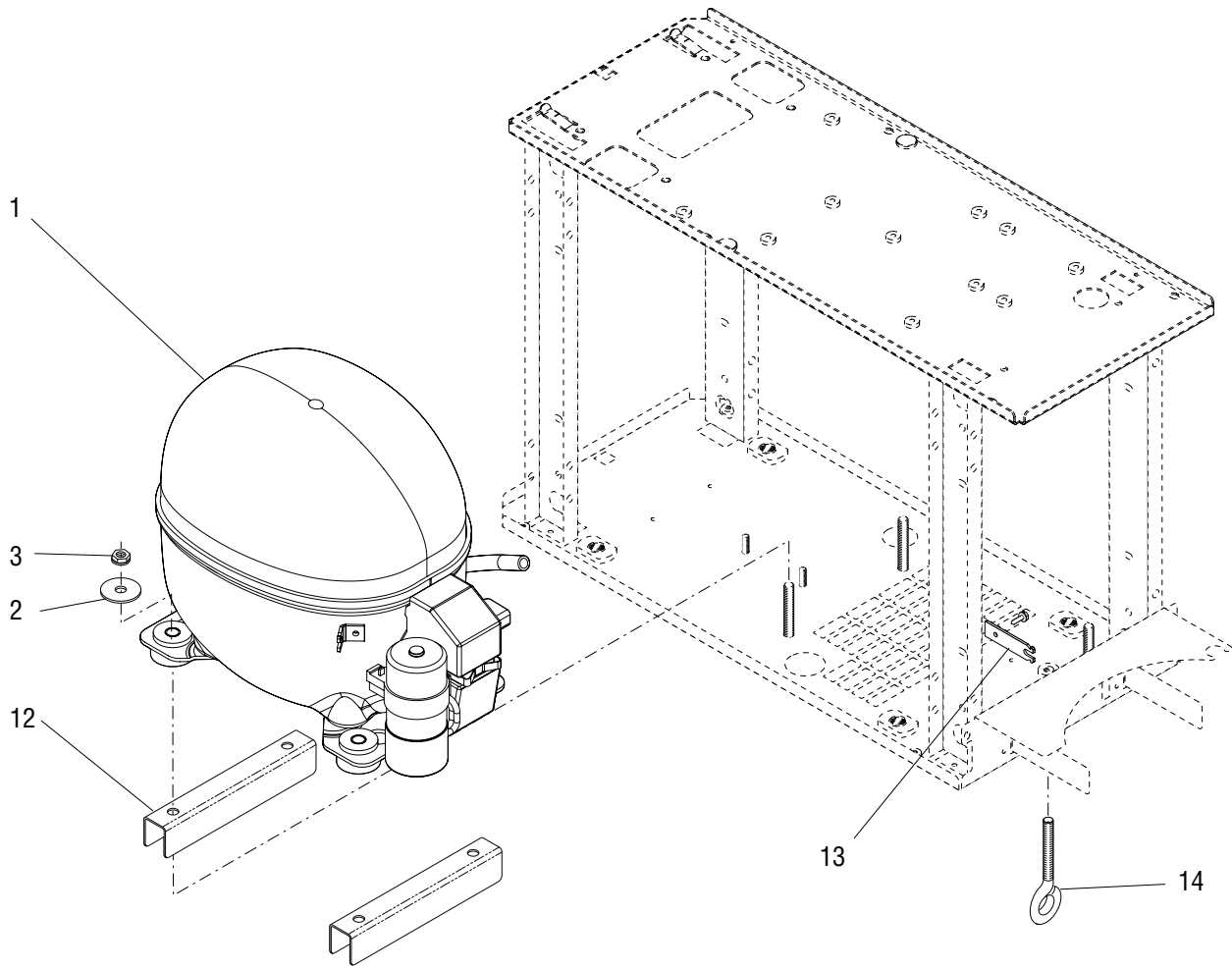


COMPRESSOR AND MOUNTING (120V & 230V Models)

| ITEM | PART NO. | QTY. | DESCRIPTION |
|------|-------------|------|--|
| 1 | 39906.1000 | 1 | Compressor Assy (Model ML60TR) 115V (Includes items 4 thru 12) |
| | 39906.1001 | 1 | Compressor Assy (Model ML80TG) 230V (Includes items 4 thru 12) |
| 2 | 34529.0000* | 4 | Washer, .281" I.D. x 1.0" O.D. |
| 3 | 23700.0000 | 4 | Nut, Hex Keps .25"-20 |
| 4 | 40619.0000 | 1 | Grommet & Sleeve Kit (Set of 4 each) |
| 5 | ----- | 1 | Compressor (Not Available. Order item 1) |
| 6 | 39908.0000 | 1 | Overload Protector 120V |
| | 39908.0001 | 1 | Overload Protector 230V |
| 7 | 39912.0000 | 1 | Relay, Compressor Start 115V |
| | 39912.0001 | 1 | Relay, Compressor Start 230V |
| 8 | 39907.0000 | 1 | Cover, Compressor Terminal |
| 9 | 39911.0000 | 1 | Bracket, Capacitor 120V |
| | 39911.0001 | 1 | Bracket, Capacitor 230V |
| | 02308.0000 | 2 | Screw, Pan Head Serrated #8-32 x .375" |
| 10 | 39909.0000 | 1 | Capacitor, Run 120V |
| | 39909.0001 | 1 | Capacitor, Run 230V |
| 11 | 39910.0000 | 1 | Cover 120V |
| | 39910.0001 | 1 | Cover 230V |
| 12 | 40613.0000 | 1 | Cable, Start Capacitor |
| 13 | ----- | 1 | Eyebolt (Shipping Only) |
| | ----- | 1 | Tag, Eyebolt Shipping Notice (Not illustrated) |
| 14 | 28651.0000 | 1 | Label - R404A (Not illustrated) |
| 15 | 41397.0000 | 1 | Strain Relief (Not illustrated) |
| 16 | 40694.0000 | - | Mounting Kit, Compressor (Includes 4 each of items 2 - 4) |

See item 16

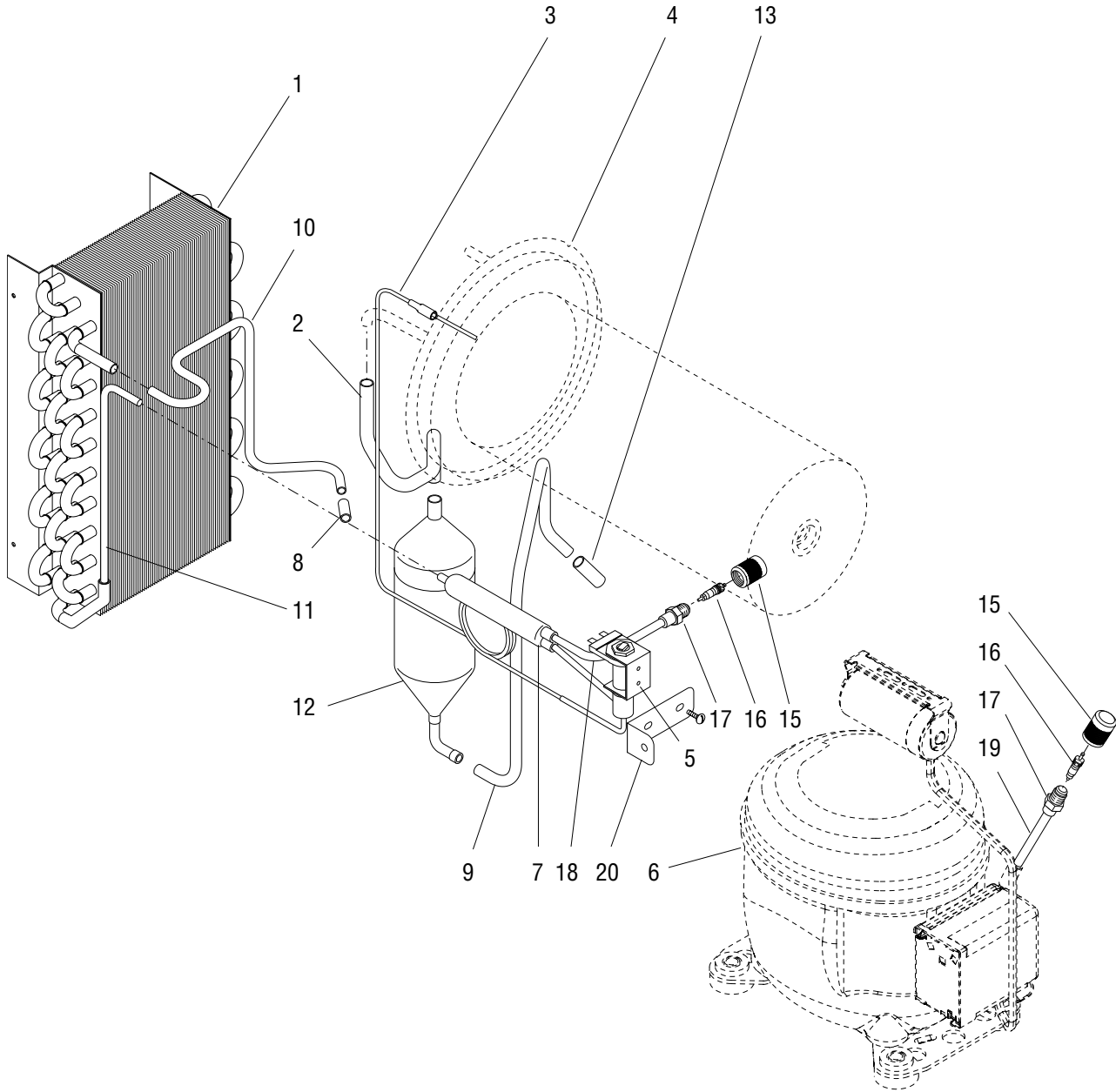
* Indicates the part number listed is for reference only. See DESCRIPTION for possible service replacement.



COMPRESSOR AND MOUNTING (100V Models)

| ITEM | PART NO. | QTY. | DESCRIPTION |
|------|-------------|------|---|
| 1 | 42190.1000 | 1 | Compressor Assy (Model NF 5.5CLX) 115V (Includes items 4 thru 11) |
| 2 | 34529.0000* | 4 | Washer, .281" I.D. x 1.0" O.D. |
| 3 | 23700.0000 | 4 | Nut, Hex Keps .25"-20 |
| 4 | 42346.0000 | 4 | Grommet |
| 5 | 42436.0001 | 4 | Sleeve |
| 6 | ----- | 1 | Compressor (Not Available. Order item 1) |
| 7 | 42187.0000 | 1 | Relay, Compressor 115V |
| 8 | 42188.0000 | 2 | Strain Relief |
| 9 | 42186.0000 | 1 | Capacitor w/clip 115V |
| 10 | 42189.0000 | 1 | Cover |
| 11 | 28651.0000 | 1 | Label - R404A (Not illustrated) |
| 12 | 42184.0000 | 2 | Riser Bracket |
| 13 | 42185.0000 | 1 | Bracket, Capacitor |
| | 02335.0001 | 1 | Screw, Hex Head Crimptite #8-32 x .38" |
| 14 | ----- | 1 | Eyebolt (Shipping Only) |
| | ----- | 1 | Tag, Eyebolt Shipping Notice (Not illustrated) |

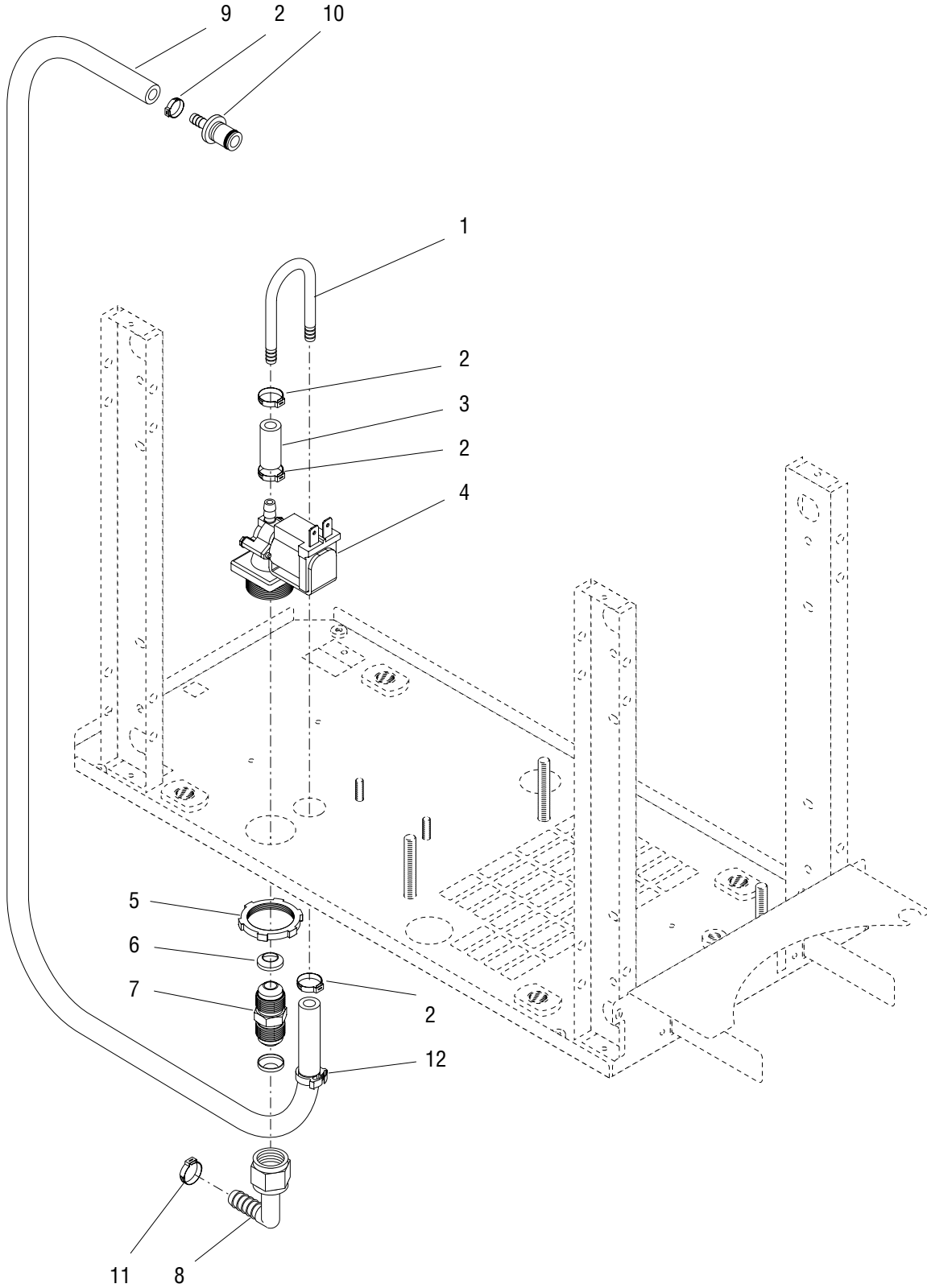
* Indicates the part number listed is for reference only. See DESCRIPTION for possible service replacement.



SOLENOID AND COOLANT PIPING

| ITEM | PART NO. | QTY. | DESCRIPTION |
|------|------------|------|---|
| 1 | ----- | 1 | Condenser (See Condenser and Fan Mounting) |
| 2 | 40098.0000 | 1 | Tube .375" O.D. Accumulator to Cooling Drum (Requires brazing to install) |
| 3 | 27607.1002 | 1 | Tube .093" O.D. Solenoid to Cooling Drum (Requires brazing to install) |
| 4 | ----- | 1 | Cooling Drum (See Auger Drive and Cooling Drum) |
| 5 | 32133.0000 | 1 | Solenoid Assy (100V & 120V) |
| | 32133.0001 | 1 | Solenoid Assy (230V) |
| | 02332.0001 | 1 | Screw, Crimpite #6 x .25" |
| 6 | ----- | 1 | Compressor (See Compressor and Mounting) |
| 7 | 32256.0000 | 1 | Dryer Assembly (Requires brazing to install) |
| 8 | ----- | 1 | Tube, Adapter .187" OD (Early Models) |
| 9 | 40207.0001 | 1 | Tube .312" O.D. Accumulator to Compr. (120V, 230V)(Requires brazing to install) |
| | 40207.0003 | 1 | Tube .312" O.D. Accumulator to Compressor (100V)(Requires brazing to install) |
| 10 | 40046.0001 | 1 | Tube .250" O.D. Condenser to Compressor (120V, 230V)(Requires brazing to install) |
| | 40046.0003 | 1 | Tube .250" O.D. Condenser to Compressor (100V)(Requires brazing to install) |
| 11 | 40053.0003 | 1 | Tube, Condenser to Dryer (Requires brazing to install) |
| 12 | 32257.0001 | 1 | Accumulator, Suction (Requires brazing to install) |
| 13 | ----- | 1 | Tube, Adapter .25" OD (Early Models) |
| 14 | 27551.0000 | 1 | Valve, Access (Includes items 15 & 16)(120V, 230V)(Requires brazing to install) |
| 15 | 27641.0000 | 2 | Cap, Valve Access |
| 16 | 27642.0000 | 2 | Valve Core |
| 17 | 28645.0000 | 2 | Valve, Access (Includes items 15 & 16) (Requires brazing to install) |
| 18 | 40318.0000 | 1 | Tube .250" O.D. Dryer to Access Valve (100V)(Requires brazing to install) |
| 19 | 38937.0000 | 1 | Tube .250" O.D. Process (100V)(Requires brazing to install) |
| 20 | 32113.0001 | 1 | Bracket, Solenoid Mounting |
| | 02308.0000 | 1 | Screw, Pan Head Serrated #8-32 x .375" |
| 21 | 40122.0000 | 1 | Insulation, Accumulator (Not Illustrated) |
| 22 | M2336.1000 | - | Insulation, Tube .375" I.D. x 6 ft LG (As Required) |
| 23 | M2546.1000 | - | Insulation Tape 30 Ft. Roll (As Required) |

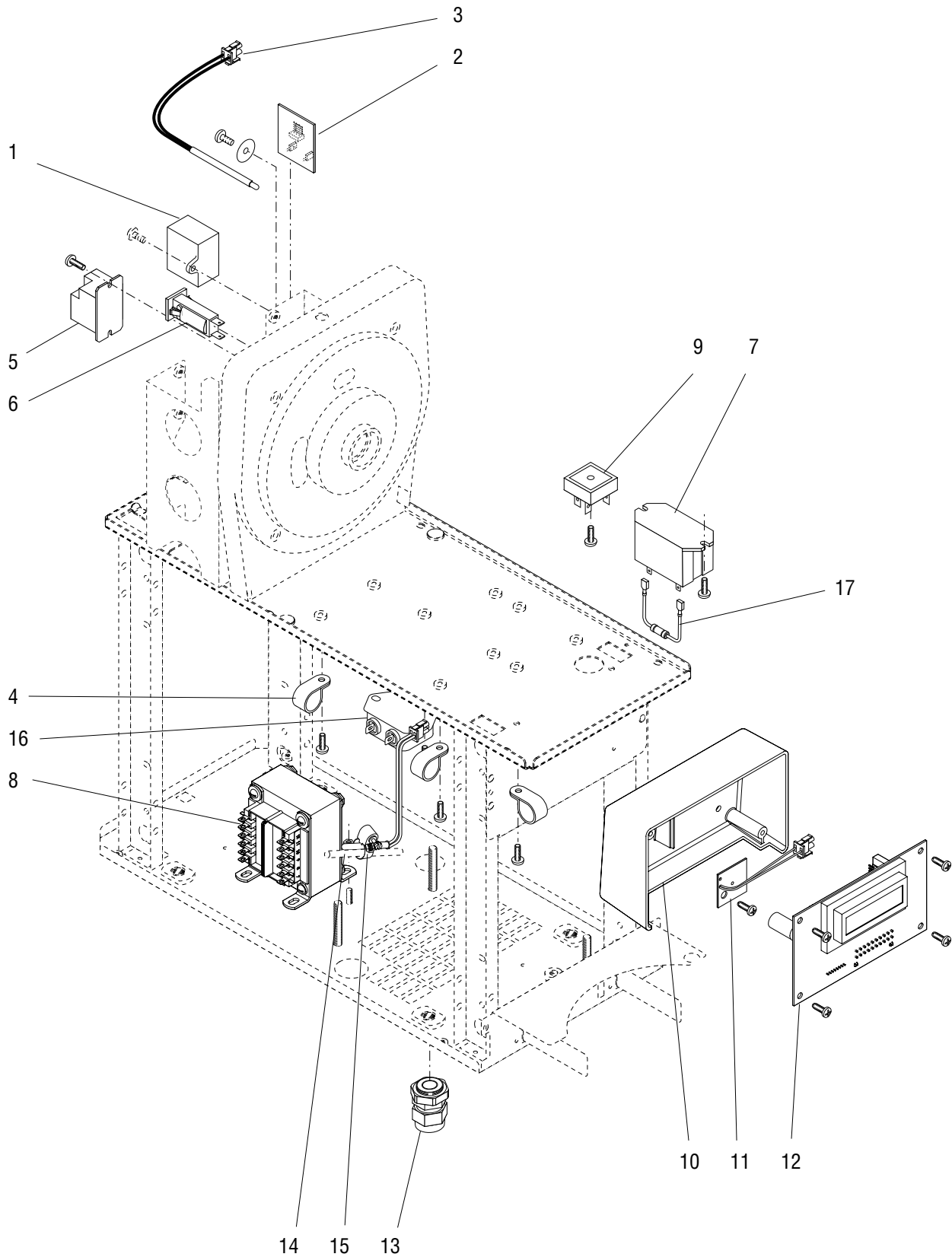
* Indicates the part number listed is for reference only. See DESCRIPTION for possible service replacement.



INTERNAL LIQUID AUTOFILL KIT (Optional)

| ITEM | PART NO. | QTY. | DESCRIPTION |
|--|-------------|------|--|
| Quantities listed below are for one solenoid only. Two may required. | | | |
| 1 | 37931.0000 | 1 | Tube |
| 2 | 21275.0002 | 4 | Clamp .41 - .50" |
| 3 | 32745.0028* | 1 | Hose .25" ID x 1.0" |
| 4 | 37933.0000 | 1 | Solenoid, Syrup Valve 120V |
| 5 | 42853.0000 | 1 | Locknut |
| 6 | 33149.0000 | 2 | Gasket |
| 7 | 42858.0000 | 1 | Fitting, Bulkhead .38" Fir |
| 8 | 35174.0003 | 1 | Fitting, Elbow .375" Barb x .375" Flare |
| 9 | 32745.0027* | 1 | Hose .25" ID x 55.0" |
| 10 | 38021.0000 | 1 | Coupling .25" Barb |
| | 42921.0000 | 1 | Coupling .38" Barb (For Models using .38" ID hose) |
| 11 | 21275.0003 | 2 | Clamp .57 - .70" |
| 12 | 12422.0000 | 1 | Clamp .47-.54" ID |

* Indicates the part number listed is for reference only. See DESCRIPTION for possible service replacement.



P3949

ELECTRICAL AND OPERATING CONTROLS

| ITEM | PART NO. | QTY. | DESCRIPTION |
|------|-------------|------|--|
| 1 | 27178.0000 | 1 | Capacitor, Auger Motor 250 VAC - 120V |
| | 27178.0001 | 1 | Capacitor, Auger Motor 500 VAC - 230V |
| 2 | 38708.1000 | 1 | Circuit Board, Torque Sensor (120/230V) |
| | 02308.0000 | 1 | Screw, Pan Head Serrated #8-32 x .375" |
| | 02360.0000 | 1 | Washer, .188" I.D. x .75" O.D. |
| 3 | 27246.1000 | 1 | Temperature Sensor (Includes Connector) |
| | 36329.0000* | 1 | Cable Tie |
| 4 | 00603.0000 | 3 | Clip |
| | 02308.0000 | 3 | Screw, Pan Head Serrated #8-32 x .375" |
| 5 | 32104.0000 | 1 | Relay, Lighting |
| | 02332.0002 | 2 | Screw, Hex Crimptite #6 x .38" |
| 6 | 27181.0000 | 1 | Circuit Breaker, 5 amp |
| 7 | 37711.0000 | 1 | Relay, 120V |
| | 37711.0001 | 1 | Relay, 230V |
| | 02308.0000 | 2 | Screw, Pan Head Serrated #8-32 x .375" |
| 8 | 27644.1005 | 1 | Transformer, 115V |
| | 27644.1004 | 1 | Transformer, 235V |
| | 00970.0000 | 2 | Nut, Keps #8-32 |
| 9 | 22126.0000 | 1 | Rectifier |
| | 01370.0000 | 1 | Screw, Pan Head #8-32 x .75" |
| 10 | 39895.0000 | 1 | Box, Control Board |
| | 02335.0001 | 4 | Screw, Hex Head Crimptite #8-32 x .38" |
| 11 | 32097.1000 | 1 | Memory Clock Board 120V |
| | 32097.1001 | 1 | Memory Clock Board 230V |
| | 24544.0000 | 1 | Screw, Pan Head #8-18 |
| 12 | 39991.1000 | 1 | Circuit Board, Main |
| | 39991.1002 | 1 | Circuit Board, Main (Models with Autofill) |
| | 24544.0000 | 4 | Screw, Pan Head #8-18 |
| 13 | 05746.1000 | 1 | Bushing, Strain Relief |
| 14 | 32269.0000 | 1 | Probe, Thermister |
| 15 | 29421.0001 | 1 | Clamp, Worm Drive |
| 16 | 29446.0001 | 1 | EMI Filter, 230V |
| | 02308.0000 | 2 | Screw, Pan Head Serrated #8-32 x .375" |
| 17 | 40770.0000 | 1 | Resistor (230V) |

The following items are not illustrated:

| | | | |
|----|------------|---|---|
| 18 | 40568.0003 | 1 | Harness, Main 120V |
| | 40568.0001 | 1 | Harness, Main 230V |
| | 40568.0004 | 1 | Harness, Main 120V (Models with Autofill) |
| | 00970.0000 | 2 | Nut, Keps #8-32 (Grounding) |
| 19 | 20630.0009 | 1 | Power Cord 120V |
| | 38074.0027 | 1 | Power Cord 230V |
| 20 | 04243.0000 | 2 | Terminal Housing, Main Harness |

* Indicates the part number listed is for reference only. See DESCRIPTION for possible service replacement.

NUMERICAL INDEX

| PART NO. | PAGE NO. | PART NO. | PAGE NO. | PART NO. | PAGE NO. | PART NO. | PAGE NO. |
|------------------------------|------------|-----------------|----------|-----------------|----------|-----------------|----------|
| 00430.0001..... | 11 | 27607.1002..... | 23 | 32745.0028..... | 25 | 40046.0001..... | 23 |
| 00603.0000..... | 27 | 27641.0000..... | 23 | 33149.0000..... | 25 | 40046.0003..... | 23 |
| 00778.0000..... | 9 | 27642.0000..... | 23 | 34010.0001..... | 17 | 40053.0003..... | 23 |
| 00927.0000..... | 5 | 27643.1000..... | 9 | 34529.0000..... | 19,21 | 40098.0000..... | 23 |
| 00970.0000..... | 7,11,27 | 27644.1004..... | 27 | 34836.0002..... | 13 | 40122.0000..... | 23 |
| 00986.0002..... | 5 | 27644.1005..... | 27 | 34836.0001..... | 13 | 40207.0001..... | 23 |
| 01085.0008..... | 11 | 28027.0000..... | 15 | 35174.0003..... | 25 | 40207.0003..... | 23 |
| 01315.0000..... | 9 | 28081.0000..... | 13 | 35607.0000..... | 5 | 40412.0001..... | 17 |
| 01317.0000..... | 11,13 | 28093.1000..... | 13 | 36329.0000..... | 27 | 40561.0000..... | 5 |
| 01326.0002..... | 13 | 28093.1003..... | 13 | 37593.0000..... | 13 | 40568.0001..... | 27 |
| 01370.0000..... | 27 | 28236.0000..... | 15 | 37711.0000..... | 27 | 40568.0003..... | 27 |
| 01377.0000..... | 13 | 28645.0000..... | 23 | 37711.0001..... | 27 | 40568.0004..... | 27 |
| 01393.0000..... | 9 | 28651.0000..... | 19,21 | 37931.0000..... | 25 | 40613.0000..... | 19 |
| 01501.0000..... | 13 | 28755.0003..... | 9 | 37933.0000..... | 25 | 40619.0000..... | 19 |
| 01511.0000..... | 13 | 28756.1000..... | 9 | 38021.0000..... | 9,25 | 40694.0000..... | 19 |
| 01532.0001..... | 9 | 28770.0000..... | 9 | 38074.0027..... | 27 | 40770.0000..... | 27 |
| 02308.00005,7,11,13,19,23,27 | | 28776.0001..... | 9 | 38129.0005..... | 11 | 41397.0000..... | 19 |
| 02332.0001..... | 23 | 29373.0001..... | 7 | 38129.0017..... | 11 | 42175.0002..... | 13 |
| 02332.0002..... | 27 | 29421.0001..... | 27 | 38129.0023..... | 11 | 42175.0003..... | 13 |
| 02335.0001..... | 5,17,21,27 | 29446.0001..... | 27 | 38129.1000..... | 11 | 42184.0000..... | 21 |
| 02360.0000..... | 27 | 29481.0001..... | 9 | 32189.0000..... | 13 | 42185.0000..... | 21 |
| 03851.0000..... | 9 | 29702.1000..... | 5 | 38616.0000..... | 17 | 42186.0000..... | 21 |
| 03996.0000..... | 5 | 29959.0002..... | 5 | 38708.1000..... | 27 | 42187.0000..... | 21 |
| 04243.0000..... | 27 | 29967.0003..... | 5 | 38937.0000..... | 23 | 42188.0000..... | 21 |
| 05746.1000..... | 27 | 29979.0000..... | 5 | 39725.0000..... | 7 | 42189.0000..... | 21 |
| 11556.0001..... | 13 | 32069.1000..... | 9 | 39725.0001..... | 7 | 42190.1000..... | 21 |
| 12421.0010..... | 5 | 32069.1001..... | 9 | 39887.0003..... | 5 | 42193.0000..... | 11 |
| 12421.1001..... | 7 | 32079.0000..... | 13 | 39889.0000..... | 5 | 42318.0000..... | 23 |
| 12421.1002..... | 7 | 32092.0002..... | 13 | 39892.0001..... | 5 | 42346.0000..... | 21 |
| 12422.0000..... | 25 | 32092.1003..... | 13 | 39893.1000..... | 5 | 42346.0001..... | 21 |
| 13255.0003..... | 7 | 32096.0000..... | 9 | 39893.1001..... | 5 | 42853.0000..... | 25 |
| 20622.0005..... | 5 | 32096.0002..... | 9 | 39895.0000..... | 27 | 42858.0000..... | 25 |
| 20630.0009..... | 27 | 32097.1000..... | 27 | 39897.0000..... | 5 | 42921.0000..... | 9,25 |
| 21275.0002..... | 25 | 32097.1001..... | 27 | 39898.1000..... | 5 | 43115.0000..... | 11 |
| 21275.0003..... | 25 | 32104.0000..... | 27 | 39898.1001..... | 5 | 43118.0000..... | 13 |
| 21275.0006..... | 11 | 32105.0000..... | 9 | 39903.0000..... | 17 | 43118.0001..... | 13 |
| 21436.0000..... | 5 | 32105.0001..... | 9 | 39906.1000..... | 19 | 43121.0000..... | 11 |
| 22126.0000..... | 27 | 32106.1000..... | 13 | 39906.1001..... | 19 | 43122.0002..... | 11 |
| 23700.0000..... | 19,21 | 32108.0002..... | 13 | 39907.0000..... | 19 | 43124.0000..... | 11 |
| 24544.0000..... | 27 | 32113.0001..... | 23 | 39908.0000..... | 19 | 43128.0000..... | 11 |
| 24566.0000..... | 9 | 32133.0000..... | 23 | 39908.0001..... | 19 | 43130.1001..... | 11 |
| 26528.0000..... | 5 | 32133.0001..... | 23 | 39909.0000..... | 19 | 43130.1002..... | 11 |
| 26780.0000..... | 13 | 32162.0001..... | 7 | 39909.0001..... | 19 | 43131.0000..... | 11 |
| 26781.0000..... | 13 | 32189.0000..... | 9,13 | 39910.0000..... | 19 | 43145.0000..... | 11 |
| 27178.0000..... | 27 | 32190.1000..... | 9 | 39910.0001..... | 19 | 43823.0000..... | 11 |
| 27178.0001..... | 27 | 32190.1005..... | 9 | 39911.0000..... | 19 | 43841.0000..... | 11 |
| 27179.0004..... | 13 | 32191.0000..... | 9 | 39911.0001..... | 19 | 43907.0000..... | 11 |
| 27179.0005..... | 13 | 32193.0000..... | 9 | 39912.0000..... | 19 | 43941.0000..... | 11 |
| 27181.0000..... | 27 | 32195.0000..... | 9 | 39912.0001..... | 19 | 43941.0001..... | 11 |
| 27223.0000..... | 13 | 32196.0000..... | 9 | 39917.1000..... | 5 | 44011.0000..... | 11 |
| 27224.0000..... | 13 | 32196.0001..... | 9 | 39917.1001..... | 5 | 44614.1000..... | 9 |
| 27228.0000..... | 13 | 32256.0000..... | 23 | 39919.0000..... | 17 | 44945.0000..... | 11 |
| 27231.0000..... | 13 | 32257.0001..... | 23 | 39257.0000..... | 9 | 45042.0000..... | 11 |
| 27231.0001..... | 13 | 32265.0001..... | 9 | 39966.0001..... | 17 | 46341.0000..... | 11 |
| 27232.0000..... | 13 | 32266.0000..... | 9 | 39967.0000..... | 9 | 47315.0000..... | 9 |
| 27246.1000..... | 27 | 32267.1000..... | 9 | 39991.1000..... | 27 | 47315.0001..... | 9 |
| 27440.0000..... | 13 | 32268.1000..... | 9 | 39991.1002..... | 27 | M2336.1000..... | 23 |
| 27442.0000..... | 5 | 32269.0000..... | 27 | 40010.1000..... | 5 | M2546.1000..... | 23 |
| 27445.1000..... | 9 | 32449.0000..... | 13 | 40010.1001..... | 5 | M2548.1001..... | 15 |
| 27446.0000..... | 9 | 32580.0000..... | 5 | 40010.1002..... | 5 | | |
| 27551.0000..... | 23 | 32745.0027..... | 25 | 40010.1003..... | 5 | | |