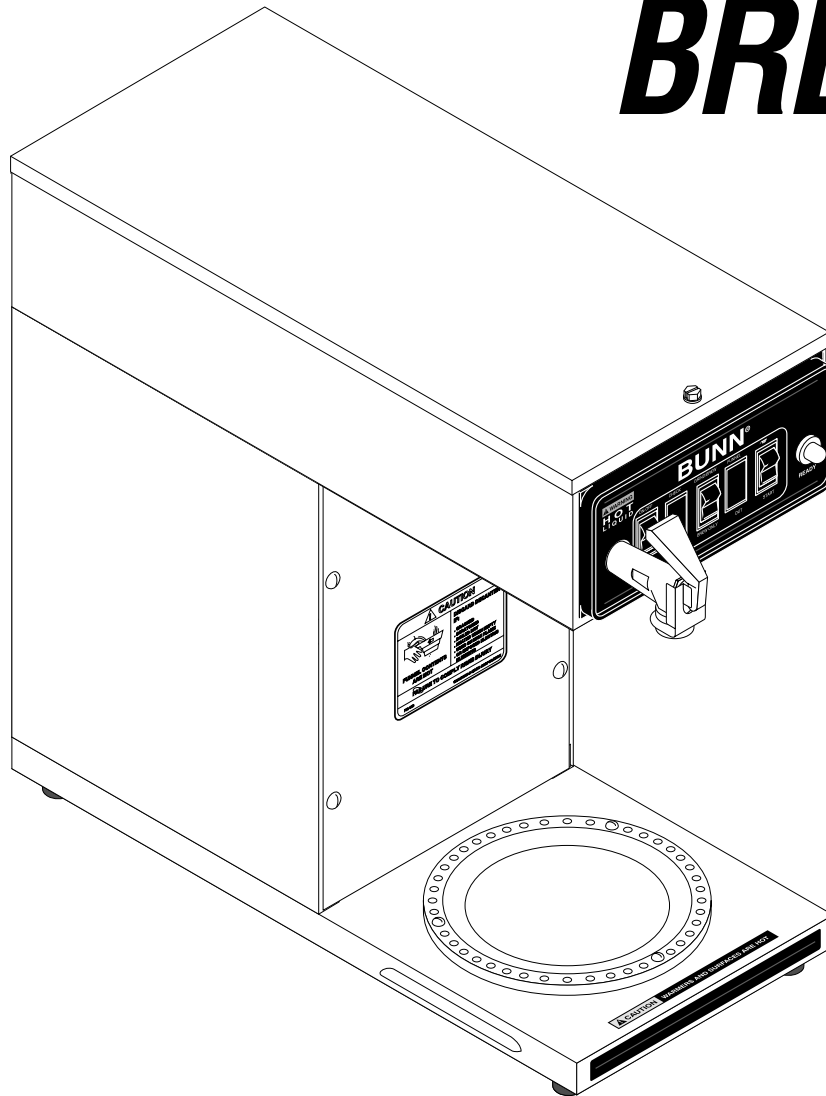


# BUNN®

# *COMBO BREWER*



## ILLUSTRATED PARTS CATALOG

Designs, materials, weights, specifications, and dimensions for equipment or replacement parts are subject to change without notice.

### BUNN-O-MATIC CORPORATION

POST OFFICE BOX 3227

SPRINGFIELD, ILLINOIS 62708-3227

PHONE: (217) 529-6601 FAX: (217) 529-6644

## **WARRANTY**

Bunn-O-Matic Corp. ("Bunn") warrants the equipment manufactured by it to be commercially free from defects in material and workmanship existing at the time of manufacture and appearing within one year from the date of installation. In addition:

1.) Bunn warrants electronic circuit and/or control boards to be commercially free from defects in material and workmanship for two years from the date of installation.

2.) Bunn warrants the compressor on refrigeration equipment to be commercially free from defects in material and workmanship for two years from the date of installation.

3.) Bunn warrants that the grinding burrs on coffee grinding equipment will grind coffee to meet original factory screen sieve analysis for three years from date of installation or for 30,000 pounds of coffee, whichever comes first.

This warranty does not apply to any equipment, component or part that was not manufactured by Bunn or that, in Bunn's judgement, has been affected by misuse, neglect, alteration, improper installation or operation, improper maintenance or repair, damage or casualty.

**THE FOREGOING WARRANTY IS EXCLUSIVE AND IS IN LIEU OF ANY OTHER WARRANTY, WRITTEN OR ORAL, EXPRESS OR IMPLIED, INCLUDING, BUT NOT LIMITED TO, ANY IMPLIED WARRANTY OF EITHER MERCHANTABILITY OR FITNESS FOR A PARTICULAR PURPOSE.** The agents, dealers or employees of Bunn are not authorized to make modifications to this warranty or to make additional warranties that are binding on Bunn. Accordingly, statements by such individuals, whether oral or written, do not constitute warranties and should not be relied upon.

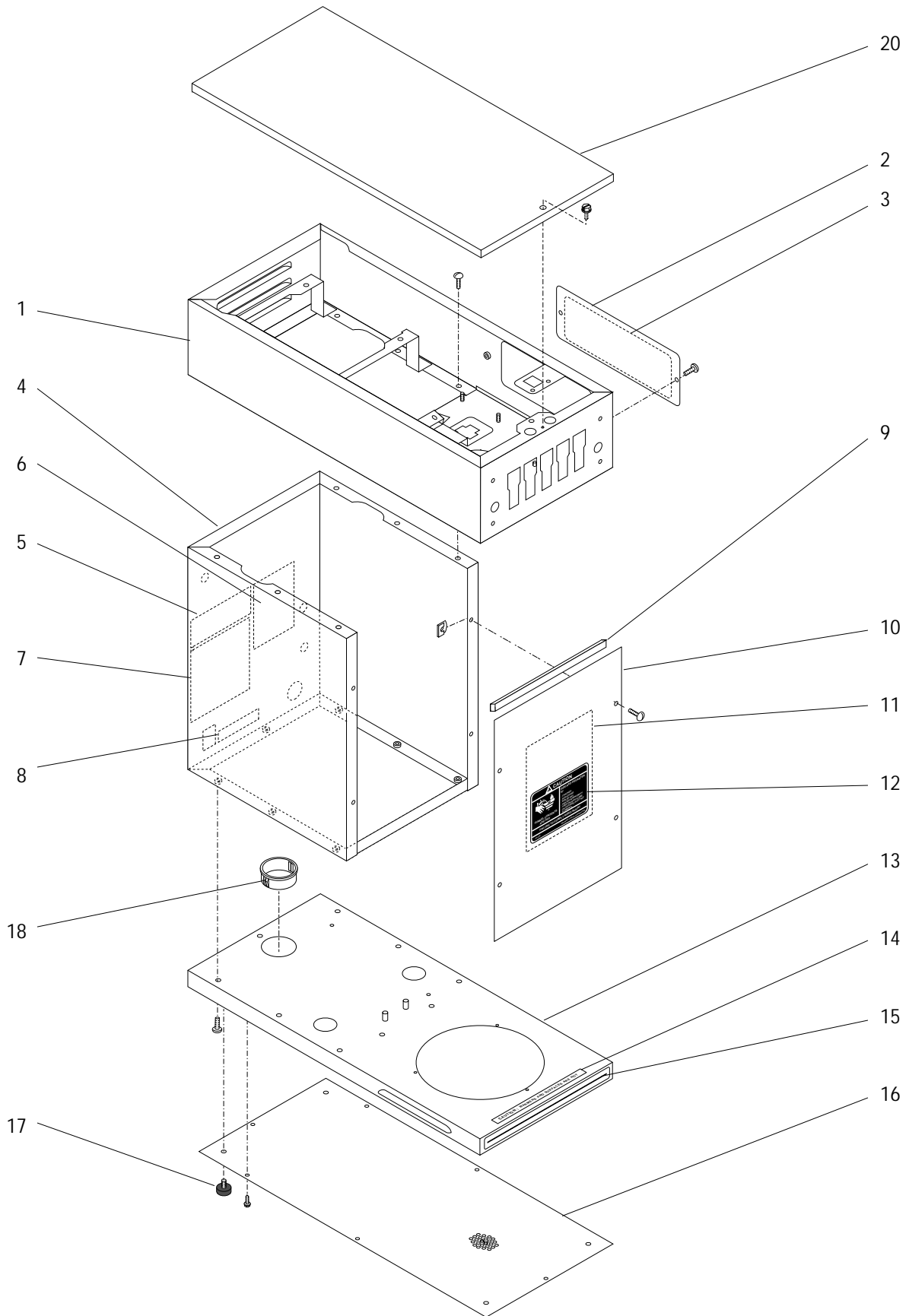
The Buyer shall give Bunn prompt notice of any claim to be made under this warranty by telephone at (217) 529-6601 or by writing to Post Office Box 3227, Springfield, Illinois, 62708-3227. If requested by Bunn, the Buyer shall ship the defective equipment prepaid to an authorized Bunn service location. If Bunn determines, in its sole discretion, that the equipment does not conform to the warranty, Bunn shall repair the equipment with no charge for parts during the warranty period and no charge for labor by a Bunn Authorized Service Representative during the warranty period. If Bunn determines that repair is not feasible, Bunn shall, at its sole option, replace the equipment or refund the purchase price for the equipment.

**THE BUYER'S REMEDY AGAINST BUNN FOR THE BREACH OF ANY OBLIGATION ARISING OUT OF THE SALE OF THIS EQUIPMENT, WHETHER DERIVED FROM WARRANTY OR OTHERWISE, SHALL BE LIMITED, AS SPECIFIED HEREIN, TO REPAIR OR, AT BUNN'S SOLE OPTION, REPLACEMENT OR REFUND.**

In no event shall Bunn be liable for any other damage or loss, including, but not limited to, lost profits, lost sales, loss of use of equipment, claims of Buyer's customers, cost of capital, cost of down time, cost of substitute equipment, facilities or services, or any other special, incidental or consequential damages.

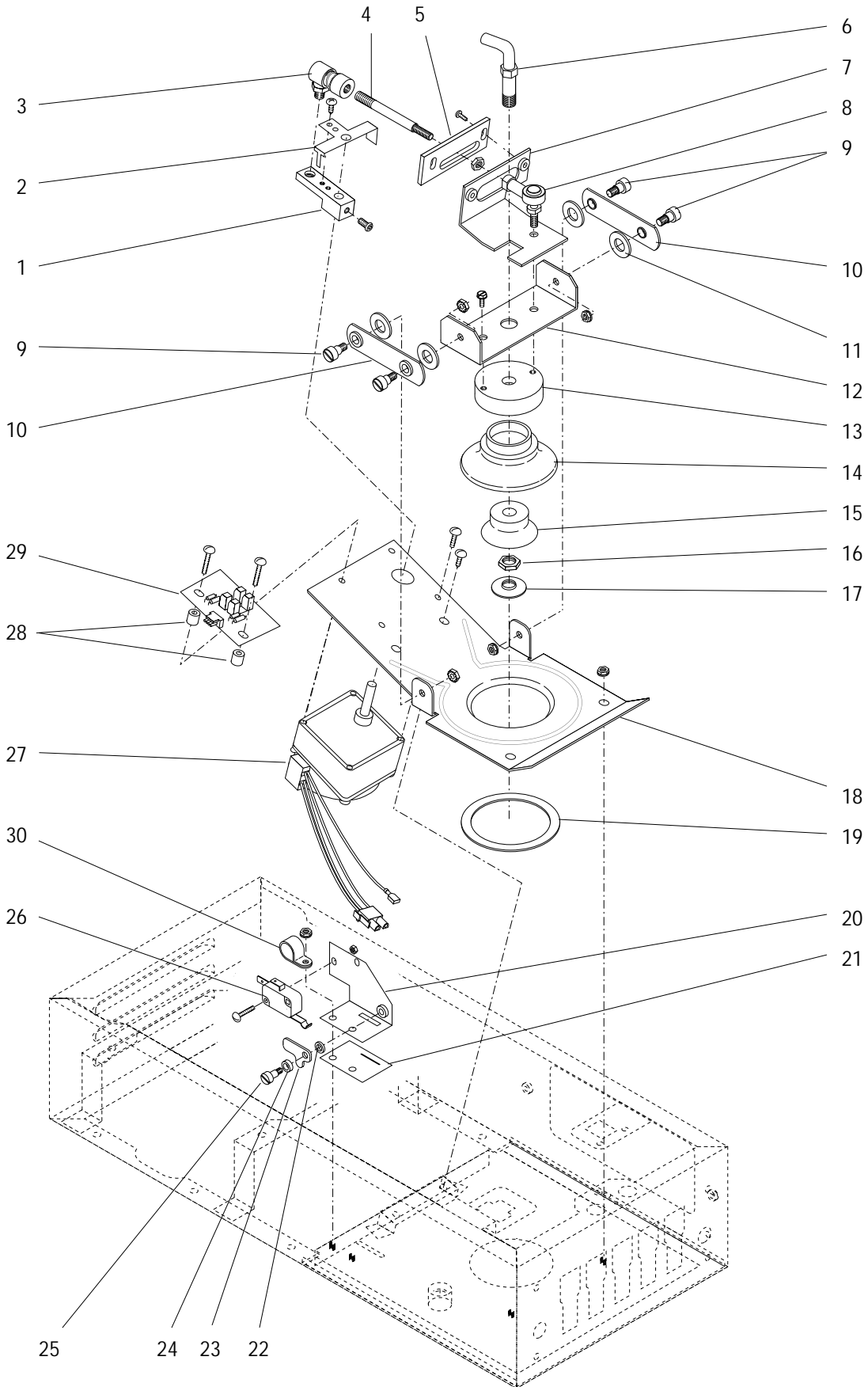
# TABLE OF CONTENTS

TITLE	PAGE NO.
Electrical and Operating Controls .....	18
Faucet and Tubing .....	16
Funnel and Filter Basket .....	24
Hood, Trunk and Panels .....	4
Motor/Sprayhead Assy and Funnel Switch/Lever Assy .....	6
Numerical Index .....	26
Strainer/Flow Control, Solenoid and Lines .....	14
Tank and Components .....	10
Warmer Assembly .....	22



## HOOD, TRUNK AND PANELS

ITEM	PART NO.	QTY.	DESCRIPTION
1	25453.0000	1	Housing, Hood (SST)
	25453.0002	1	Housing, Hood (BLK)
	02308.0000	6	Screw, Pan Head-Serrated #8-32 x .375"
2	26080.1000	1	Cover W/Decal, Hood Access (SST)(Includes item 3)
	26080.0001	1	Cover, Hood Access (BLK)(Also order item 3)
	01311.0000	2	Screw, Truss Head #8-32 x .250" (SST)
	01311.0003	2	Screw, Truss Head #8-32 x .250" (BLK)
3	25781.0000	1	Decal, Warning/Cleaning
4	23320.0001	1	Trunk W/Decals (SST)(Includes items 5 thru 8)
	25352.0001	1	Trunk W/Decals (SST)(Without Faucet)(Includes items 5 thru 7)
	25352.0000	1	Trunk (BLK)(Without Faucet)(Also order items 5 thru 7)
5	00656.0000	1	Decal, Comply To Plumbing Code
6	26225.0000	1	Decal, Strainer/Flow Control (Early Models)
7	00831.0000	1	Decal, Warning-Electrical
8	02822.0000	1	Decal, Auxiliary Outlet (Not used on 200V Brewers)
9	-----	1	Gasket, W/Adhesive - 6.75" Lg (Order item 19)
10	25144.0007	1	Panel W/Decals, Trunk (SST)(Includes items 11 & 12)
	11408.0005	1	Panel, Trunk (BLK)(Also order items 11 & 12)
	25144.0009	1	Panel W/Decals, Trunk (SST)(Includes items 11 & 12) (200V Brewers only)
	01382.0000	4	Screw, Truss Head #6-32 x .375" (SST)
	01382.0002	4	Screw, Truss Head #6-32 x .375" (BLK)
11	00988.0000	4	Fastener, U-Type #6-32
	10850.0000	1	Schematic, Electrical - 120V &120/240V
	10850.0001	1	Schematic, Electrical - 200V
12	00658.0000	1	Decal, Caution - Decanter/Funnel
13	25779.0000	1	Housing W/Decals, Base (SST)(Includes items 14 & 15)
	24806.0005	1	Housing, Base (BLK)(Also order items 14 & 15)
	02308.0000	9	Screw, Pan Head-Serrated #8-32 x .375"
14	12364.0000	1	Decal, Caution - Warmers And Surfaces Are Hot
15	22306.0000	1	Decal, Red Decorative Stripe
16	24805.0000	1	Plate, Base
	02332.0002	6	Screw, Hex-Crimptite #6 x .375"
17	25137.0000	4	Foot, Black W/.250"-20
18	01593.0000	1	Bushing, Snap 1.5" Dia
19	26073.1000	1	Gasket, W/Adhesive - 21" Lg
20	25309.0001	1	Cover, Top (For shipping only)
	02332.0001	1	Screw, Hex-Crimptite #6 -.25"

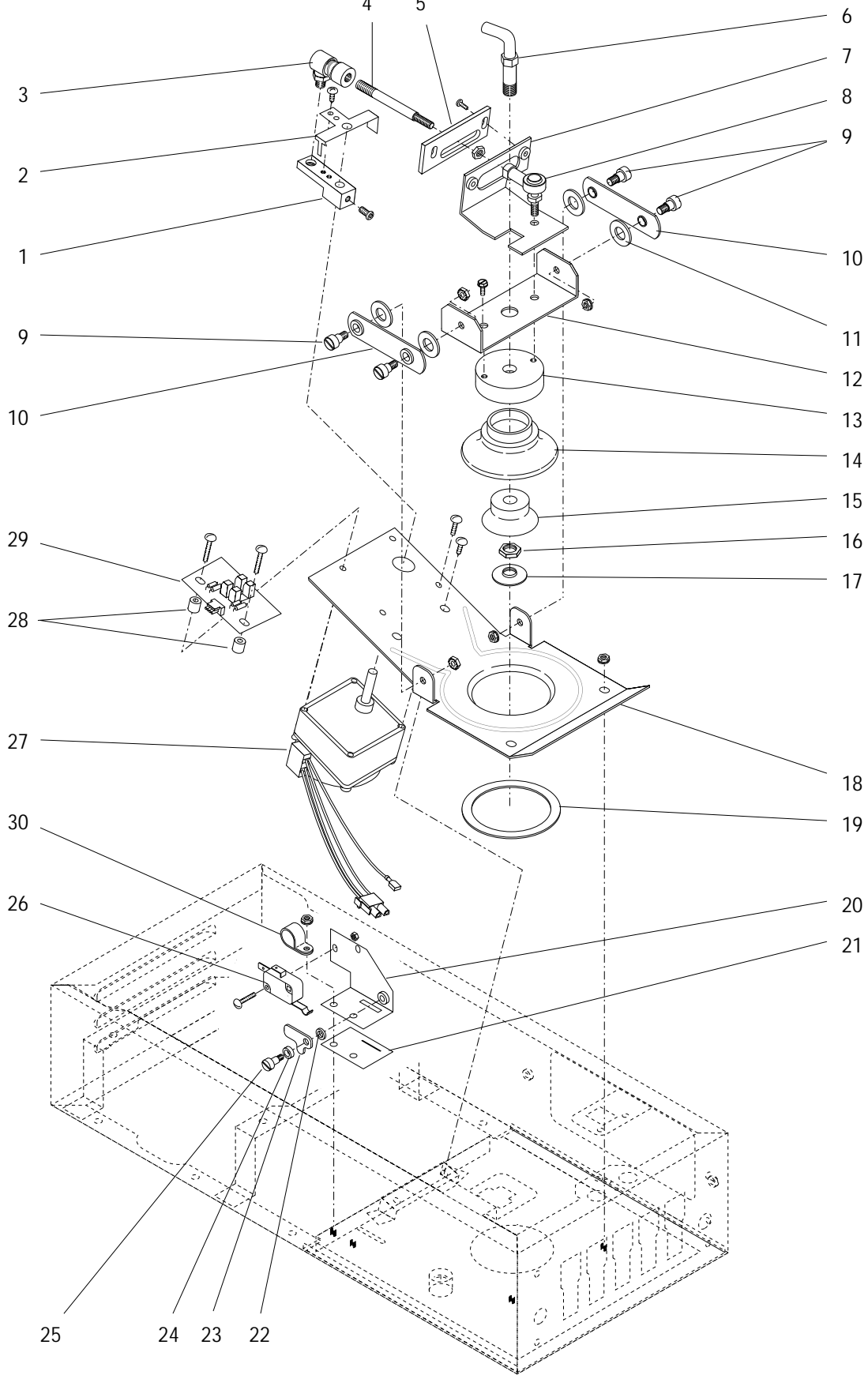


## MOTOR/SPRAYHEAD ASSY AND FUNNEL SWITCH/ LEVER ASSY

ITEM	PART NO.	QTY.	DESCRIPTION
1	25938.0000	1	Lever, Index Motor
	26458.0000	1	Screw, Button Head #8-32 x .375"
2	25939.0000	1	Shutter, Position Sensor
	02361.0000	2	Screw, Pan Head Phillips #4-40 x .25"
3	25949.0001	1	Swivel, Quick Disconnect
4	25936.0000	1	Link, Adjuster
	00910.0000	1	Nut, Hex #10-32
5	25935.0000	1	Position Adjuster
	02328.0004	2	Screw, Locking Pan Head #6-32 x .312"
6	25424.0000	1	Fitting Assy, Sprayhead
7	25940.0000	1	Guide, Sprayhead
8	25440.0000	1	Rod End W/Stud, Spherical Female #10-32
9	25934.0000	4	Screw, Shoulder #10-32 x .189"
	00971.0000	4	Nut, Keps #10-32
10	25931.1000	2	Link Assy, Sprayhead Pivot (Includes bushing)
11	25933.0000	4	Washer, Thrust-Bronze
12	25941.0000	1	Bracket, Sprayhead Mounting
	01330.0000	1	Screw, Hex-Serrated #10-32 x .375"
13	25942.0000	1	Cap, Sprayhead
14	24323.0000	1	Boot, Flex
15	25421.0000	1	Spacer, Sprayhead
16	01075.0000	1	Nut, Hex .438"-20
17	01082.0000	1	Sprayhead, 7-Hole
18	25945.0000	1	Bracket, Sprayhead/Motor Mounting
	01311.0000	2	Screw, Truss Head #8-32 x .25"
	00970.0000	2	Nut, Keps #8-32
19	26072.0000	1	Gasket, Sprayhead/Motor Mounting Bracket
20	25463.0000	1	Bracket, Funnel Switch Mounting
	00970.0000	2	Nut, Keps #8-32
21	26071.0000	1	Gasket, Funnel Switch
22	25464.0000	1	Washer, Nylon .192" I.D. x .312" O.D. x .062"
23	25461.0000	1	Lever, Funnel Switch
24	25464.0001	1	Washer, Nylon .192" I.D. x .312" O.D. x .110"
25	25460.0000	1	Screw, Shoulder .187 Dia #6

(Continued)

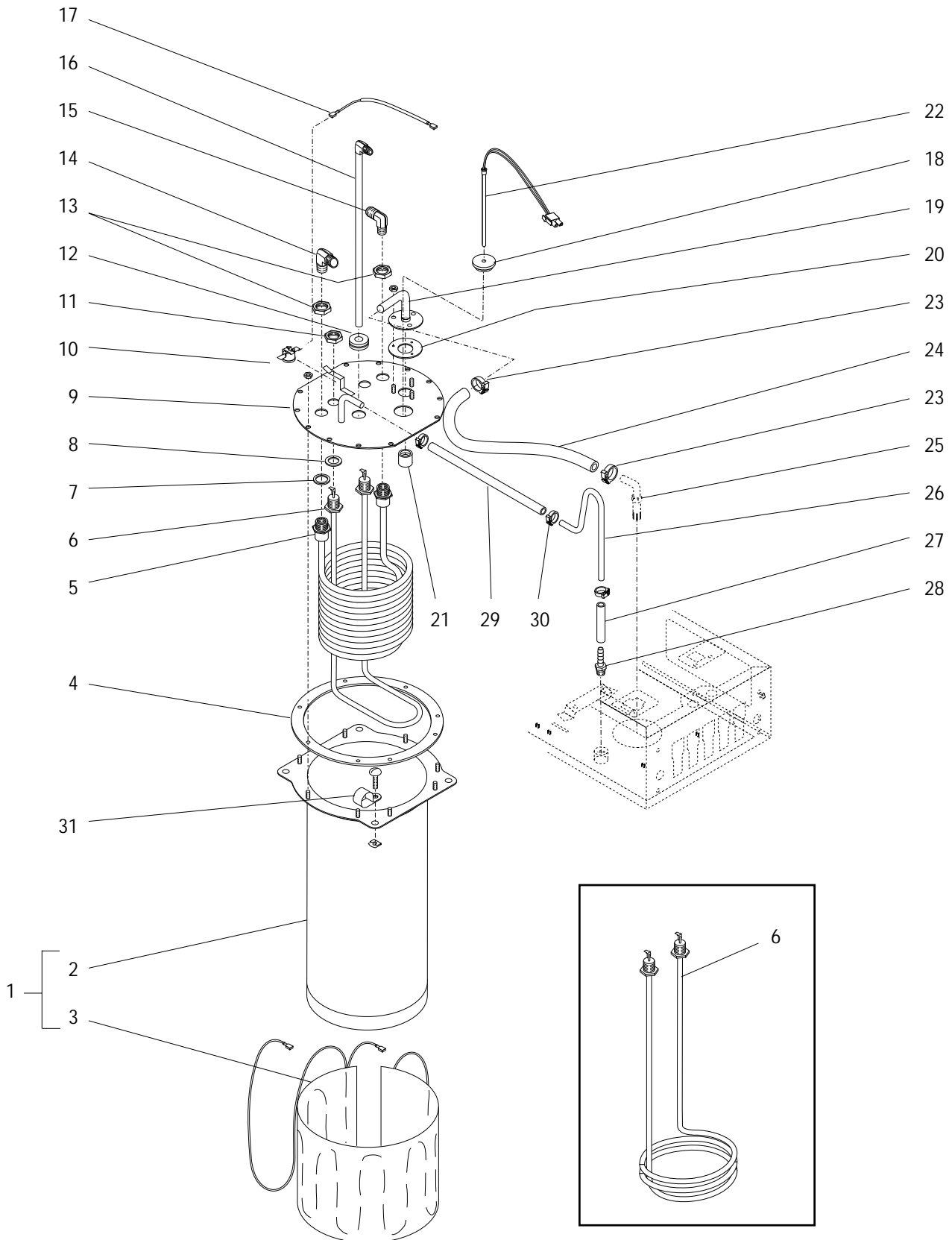
(Continued)





## MOTOR/SPRAYHEAD ASSY AND FUNNEL SWITCH/ LEVER ASSY

ITEM	PART NO.	QTY.	DESCRIPTION
26	25417.0000	1	Switch, Funnel/Lockout
	01304.0001	2	Screw, Pan Head #4-40 x .625"
	00937.0000	2	Nut, Hex #4-40
27	25668.0000	1	Motor, Index W/Terminals
	02308.0000	2	Screw, Pan Head-Serrated #8-32 x .375"
28	01533.0002	2	Spacer, Nylon - .171" I.D. x .375" O.D. x.30"
29	23736.0000	1	PCB Assy, Position Sensor
	01370.0000	2	Screw, Pan Head #8-32 x .75"
30	00603.0000	1	Clamp .438" I.D.

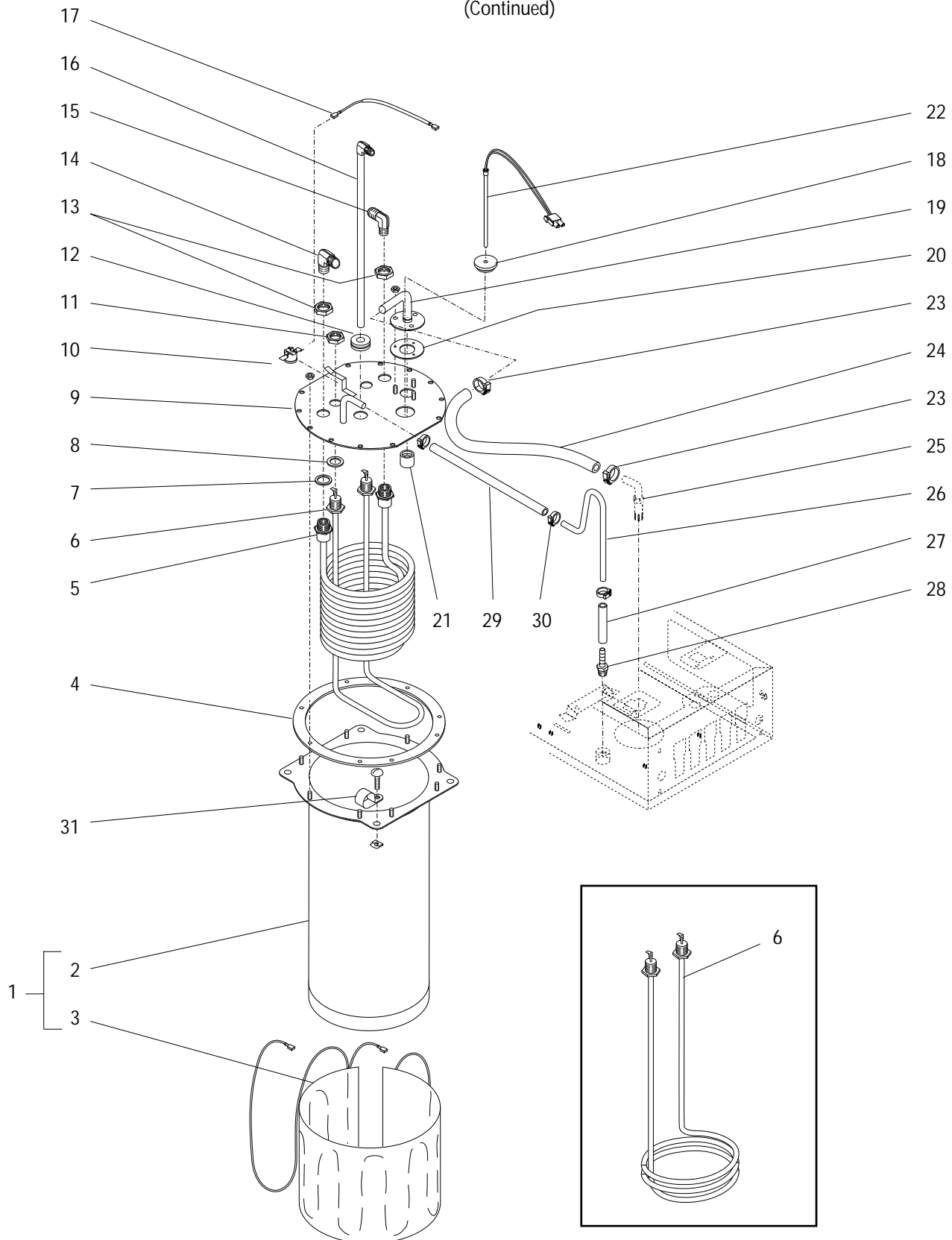


## TANK AND COMPONENTS

ITEM	PART NO.	QTY.	DESCRIPTION
-	25482.1000	1	Tank Assy, 1320W 120V (Includes items 1 thru 21)
	25482.1001	1	Tank Assy, 3500W 240V (Includes items 1 thru 21)
	25482.1002	1	Tank Assy, 3500W 200V (Includes items 1 thru 21)
	01315.0000	2	Screw, Truss Head #8-32 x .375"
	00912.0000	2	Fastener, J-Type #8-32
1	04119.0000	1	Tank W/Blanket Warmer, 120V
	04133.0000	1	Tank W/Blanket Warmer, 200V
2	04118.0000	1	Tank
3	04260.0000	1	Blanket Warmer, 50W 120V
	01927.0000	1	Blanket Warmer, 50W 200V
4	04221.0000	1	Gasket, Tank Lid
5	12689.1000	1	Coil Assy, Hot Water (Includes item 7)
6	04236.1000	1	Tank Heater, 1320W 120V (Includes item 8)
	04637.1000	1	Tank Heater, 3500W 240V (Includes item 8)
	20941.1000	1	Tank Heater, 3500W 200V (Includes item 8)
7	12688.0000	2	Gasket, Water Coil
8	00943.0000	2	Gasket, Tank Heater
9	25481.0000	1	Tank Lid
	00908.0000	8	Nut, Hex #8-32
10	29329.1000	1	Thermostat, Limit
11	00942.0000	2	Nut, Hex .50"-20 (Tank Heater)
12	02536.0000	1	Grommet, Fill Tube
13	12687.0000	2	Nut, Hex Brass .562"-24 (Water Coil)
14	00465.0001	1	Elbow, 125" MPT x .250" Compression
15	00400.0001	1	Elbow, Male .250" Flare x .125" MPT
16	25628.0000	1	Tube Assy, Tank Fill
17	20211.0100	1	Thermal Cut-Off Assy (Thermostat to Tank Heater)
18	12570.0000	1	Grommet, Temperature Probe
19	25477.0000	1	Sprayhead Tube
	00908.0000	3	Nut, Hex #8-32
20	05515.0000	1	Gasket, Sprayhead tube
21	05518.0000	1	Hub, Syphon
22	12568.0006	1	Sensor, Temperature
23	12422.0001	2	Clamp, Hose-Snap Type .59/.66" I.D.
24	-----	1	Tube, Silicone .375" I.D. x .625" O.D. x 11" (Order item 32)
25	-----	1	Fitting Assy, Sprayhead (See Motor/Sprayhead Assy & Funnel Switch/Lever Assy)

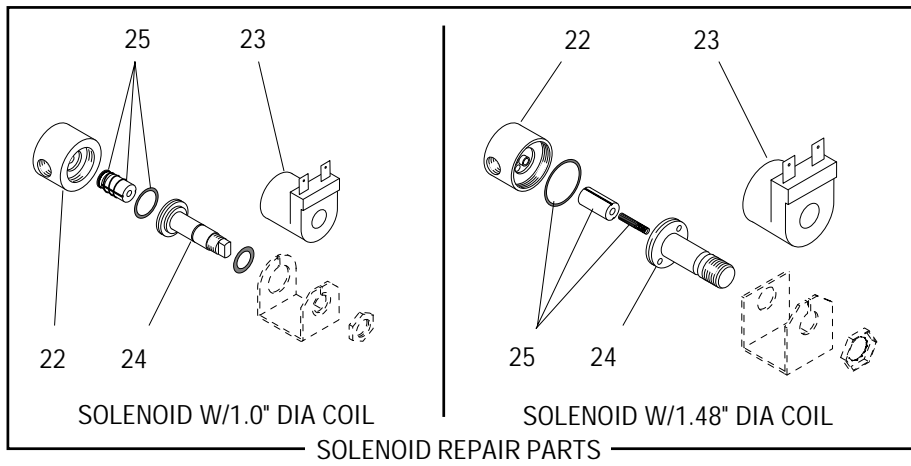
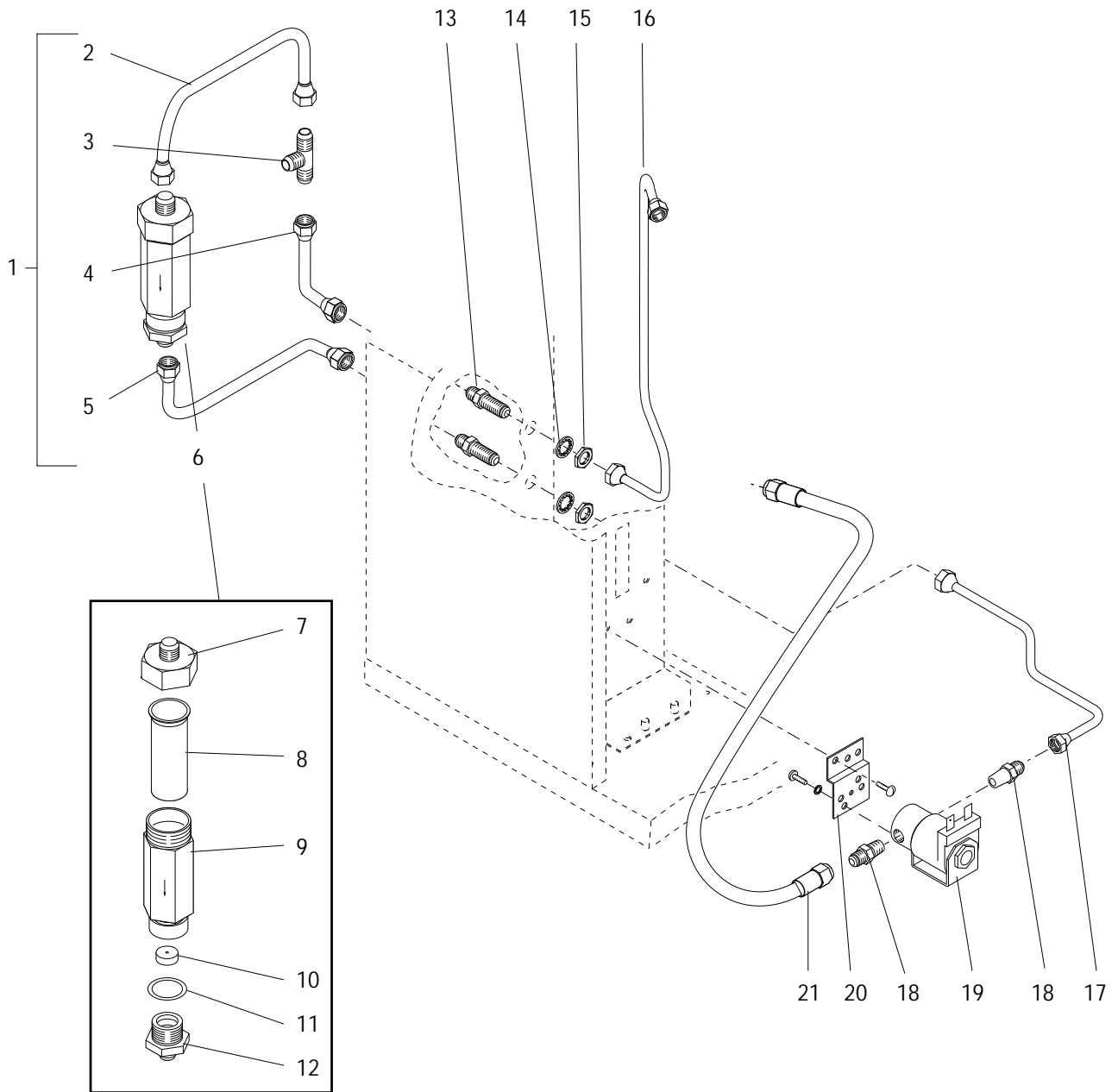
(Continued)

(Continued)



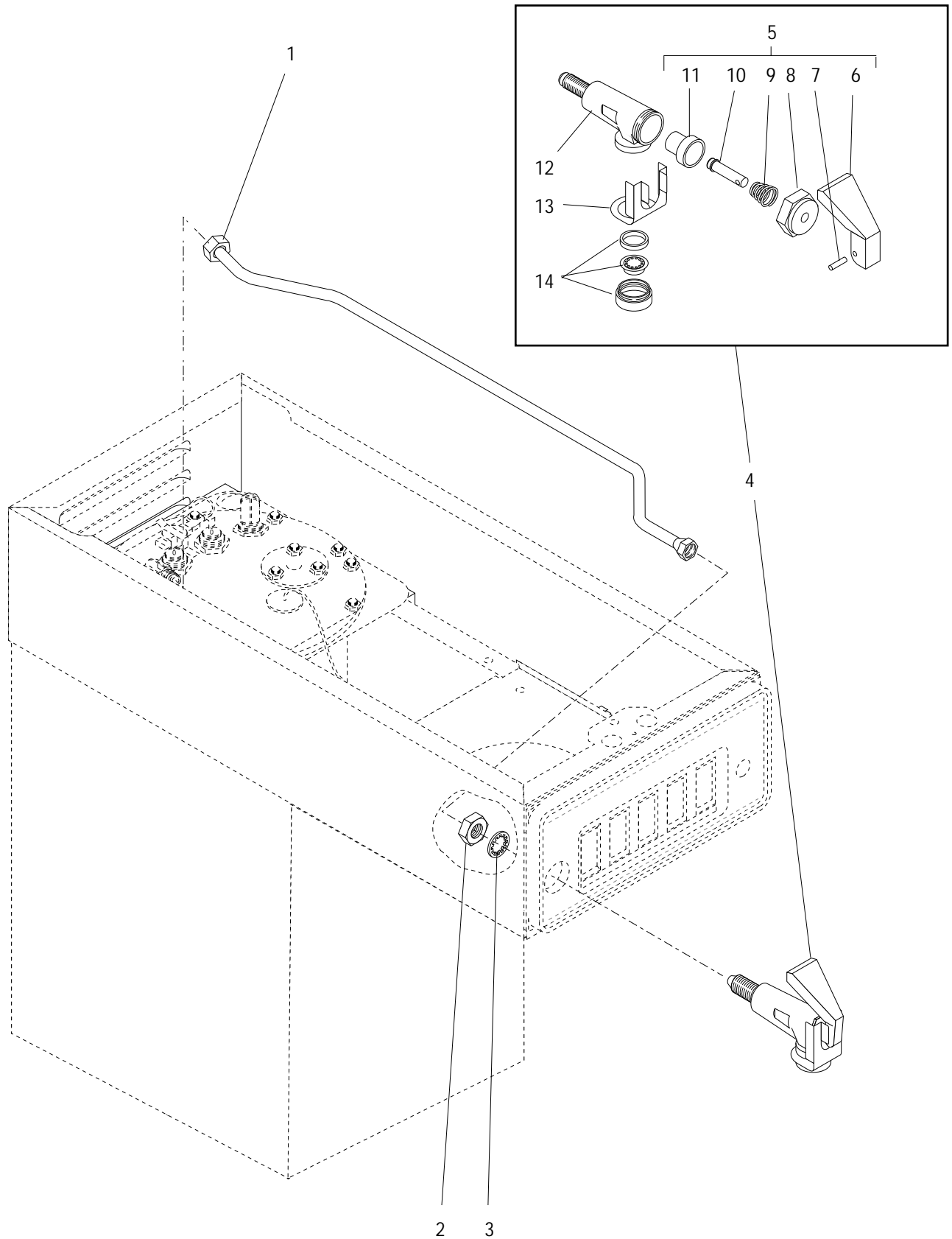
## TANK AND COMPONENTS

ITEM	PART NO.	QTY.	DESCRIPTION
26	25626.0000	1	Tube, Vent .250" O.D.
27	-----	1	Tube, Silicone .250" I.D. x 2.0" (Order item 33)
28	22397.0001	1	Fitting, .25" Barb x .125" MPT
29	-----	1	Tube, Silicone .250" I.D. x 7.25" (Order item 33)
30	12422.0000	3	Clamp, Hose-Snap Type .47" x .54" I.D.
31	00620.0000	1	Clamp, .687" I.D.
32	20976.1000	-	Tube, Silicone .375" I.D. x .625" O.D. x 12"
	20976.1001	-	Tube, Silicone .375" I.D. x .625" O.D. x 36"
	20976.1002	-	Tube, Silicone .375" I.D. x .625" O.D. x 120"
33	11707.1000	-	Tube, Silicone .250" I.D. x 12"
	11707.1001	-	Tube, Silicone .250" I.D. x 36"
	11707.1002	-	Tube, Silicone .250" I.D. x 120"



## STRAINER - FLOW CONTROL, SOLENOID AND LINES

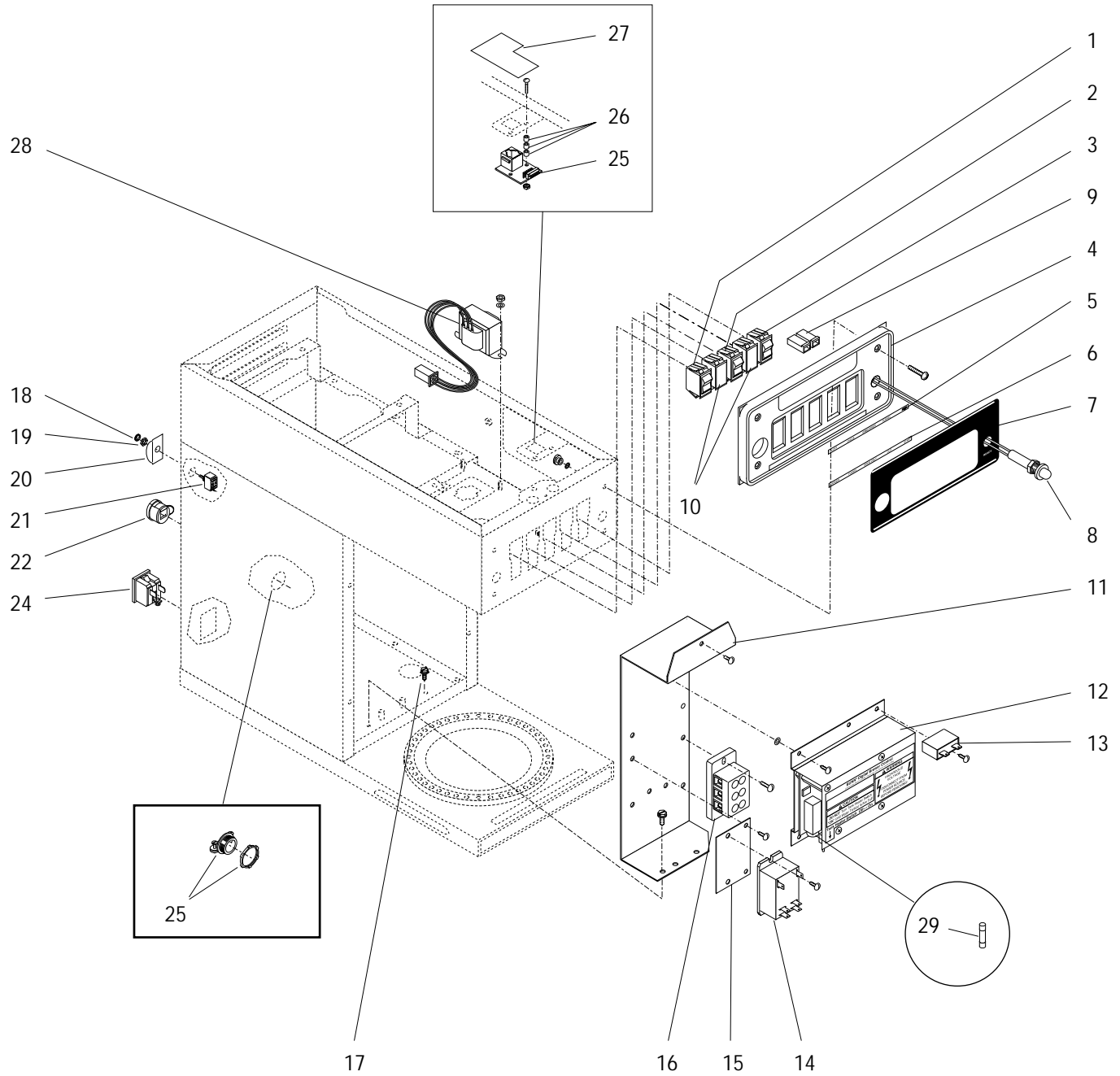
ITEM	PART NO.	QTY.	DESCRIPTION
1	24394.0195	1	Strainer/Flow Control Assembly (.195 GPM) (Includes items 2 thru 6)
2	26216.0000	1	Tube Assembly, Flow Control to Tee
3	20577.0001	1	Tee, .250" Flare
4	21814.0016	1	Tube Assembly, Tee to Bulkhead
5	26217.0000	1	Tube Assembly, Flow Control to Bulkhead
6	22300.0195	1	Strainer/Flow Control Assembly (.195 GPM)(Includes items 7 thru 12)
7	22249.0000	1	Fitting, Flow Control Inlet
8	23721.0000	1	Screen
9	-----	1	Body (Not Available. Order Item 6)
10	20526.1195	1	Flow Washer/Gasket Set (.195 GPM) (Includes item 11)
11	01155.0000	1	Gasket, Flow Control
12	01154.0000	1	Fitting, Flow Control Outlet
13	00459.0000	2	Fitting, Bulkhead .250" Flare
14	01532.0000	2	Lockwasher, Internal Tooth .438"
15	00463.0000	2	Nut, Hex .438"-20
16	20690.0002	1	Tube Assembly, Bulkhead to Coil
17	12645.0002	1	Tube Assembly, Bulkhead to Solenoid
18	00402.0001	2	Connector, Male .250" Flare x .125" MPT
19	-----	1	Solenoid Valve, 120V-1.48" Dia Coil (Not available, order 01085.0002)
	01085.0002	1	Solenoid Valve, 120V-1.0" Dia Coil (Includes O-ring)
	21180.0000	1	Solenoid Valve, 200V
	01327.0000	2	Screw, Pan Head #10-32 x .375"
	01502.0000	2	Lockwasher, Split #10
20	07441.0000	1	Bracket, Solenoid Mounting
	02308.0000	2	Screw, Pan Head Serrated #8-32 x .375"
21	12914.0005	1	Tube Assembly, Solenoid to Tank
22	01079.0000	1	Solenoid Valve Base - 1.48" Dia Coil (Not available, order 01085.0002)
	28479.0000	1	Solenoid Valve Base Kit - 1.0" Dia Coil (Includes O-ring)
23	01101.0000	1	Solenoid Valve Coil, 120V (1.48" Dia Coil)
	28480.0000	1	Solenoid Valve Coil, 120V (1.0" Dia Coil)
	21181.0000	1	Solenoid Valve Coil, 200V
24	01116.0000	1	Guide - 1.48" Dia Coil
	28481.0000	1	Guide Kit - 1.0" Dia Coil (Includes Washer & O-ring)
25	01111.0000	1	Solenoid Valve Repair Kit - 1.48" Dia Coil (Includes Plunger, Seal and Spring)
	01111.0002	1	Solenoid Valve Repair Kit - 1.0" Dia Coil (Includes Plunger, Spring & O-ring)





## FAUCET AND TUBING

ITEM	PART NO.	QTY.	DESCRIPTION
1	25665.0000	1	Tube Assy, Tank Coil to Faucet
2	13059.0000	1	Faucet Jam Nut
3	01532.0000	1	Lockwasher, Internal Tooth .438" I.D.
4	12915.0000	1	Faucet Assy, Hot Water (Includes items 5 thru 14)
5	13061.0000	1	Faucet Handle/Stem Assembly (Includes items 6 thru 11)
6	13053.0000	1	Faucet Handle Kit (Includes item 7)
7	02858.0000	1	Pin, Spring .125" Dia x .50"
8	13060.0000	1	Faucet Bonnet Nut
9	13055.0000	1	Faucet Spring
10	13054.0000	1	Faucet Stem
11	13056.0000	1	Faucet Seat Cup
12	-----	1	Body, Faucet (Not Available. Order item 4)
13	13057.0000	1	Faucet, Safety Clip
14	13058.0000	1	Faucet Aerator Kit

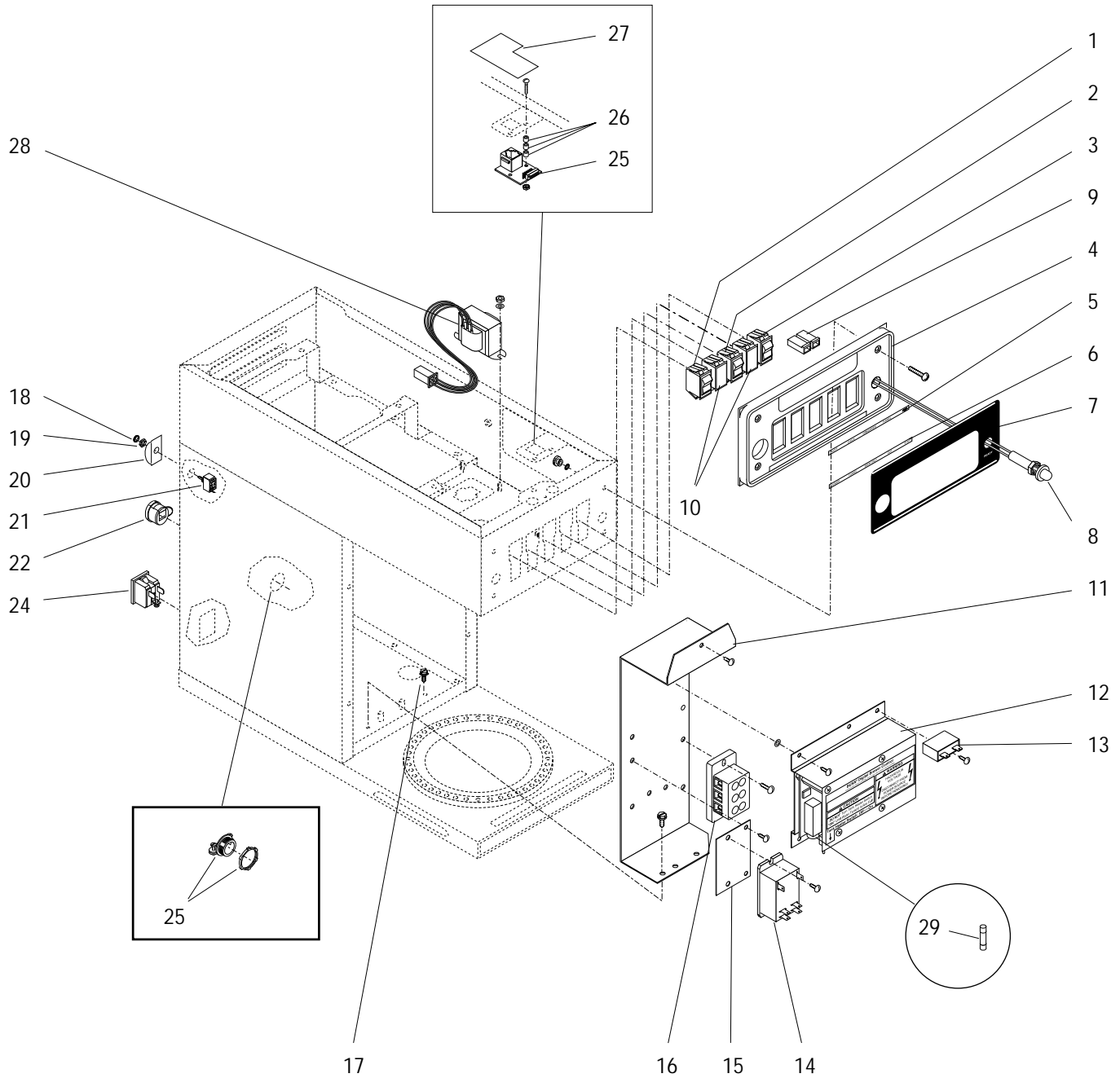


## ELECTRICAL AND OPERATING CONTROLS

ITEM	PART NO.	QTY.	DESCRIPTION
1	12920.0000	1	Switch ON/OFF 120V
2	20637.0000	1	Switch, Selector
3	01063.0000	1	Switch, Momentary Start
4	25777.0000	1	Control Panel (Includes items 5 & 6)
	13352.0008	1	Control Panel (With Fresh Light)
	02301.0000	4	Screw, Phillip Pan Head #6-32 x .625"
	00973.0000	4	Nut, keps #6-32
5	25458.0000	1	Label, Switch - Top
6	25458.0001	1	Label, Switch - Bottom
7	22289.0007	1	Decal, Control Panel
	22289.0015	1	Decal, Control Panel (With Fresh Light)
8	12984.0002	1	Light Assembly, 120V Green (Includes item 9)
	12984.0004	1	Light Assembly, 240V Green (Includes item 9)
9	04243.0000	2	Terminal Housing, Receptacle
10	25485.0000	2	Lamp, Indicator - Red
11	25466.0000	1	Bracket Assembly, Component Mounting
	01308.0000	1	Screw, Truss Head #6-32 x .250"
	02332.0001	1	Screw, Hex-Crimptite #6 x .250"
12	25468.0000	1	DBC Power Board Assy. (Includes item 29)
	25468.0004	1	DBC Power Board Assy. (Includes item 29) (With Fresh Light)
	02308.0000	4	Screw, Pan Head #8-32 x .375"
	01516.0000	4	Washer, Screw Retaining
13	25486.0000	1	Capacitor, Motor
	02308.0000	1	Screw, Pan Head #8-32 x .375"
14	25948.0000	1	Relay, Tank Heater 120V
	02308.0000	2	Screw, Pan Head #8-32 x .375"
15	25472.0000	1	Plate, Relay Mounting
	02308.0000	2	Screw, Pan Head #8-32 x .375"
16	07038.0000	1	Terminal Block, 3 Pole-Red/White/Black (Shown)
	01106.0000	1	Terminal Block, 2 Pole-White/Black
	01317.0000	2	Screw, Truss Head #8-32 x .50"
17	02337.0001	1	Screw, Hex Head #10 x .375" (Cord Ground)
18	23697.0000	1	Facenut, Plastic
19	23696.0000	1	Nut, Hex
20	25102.0000	1	Bracket, Switch Indicator/Guard
21	23522.0000	1	Switch, ON/OFF Toggle (Includes item 19)
22	01686.0000	1	Bushing, Strain Relief (120V Models)
23	01685.0000	1	Connector, Cable .50 MPT (120/240V Models)
24	03628.0000	1	Receptacle, Grounded

(Continued)

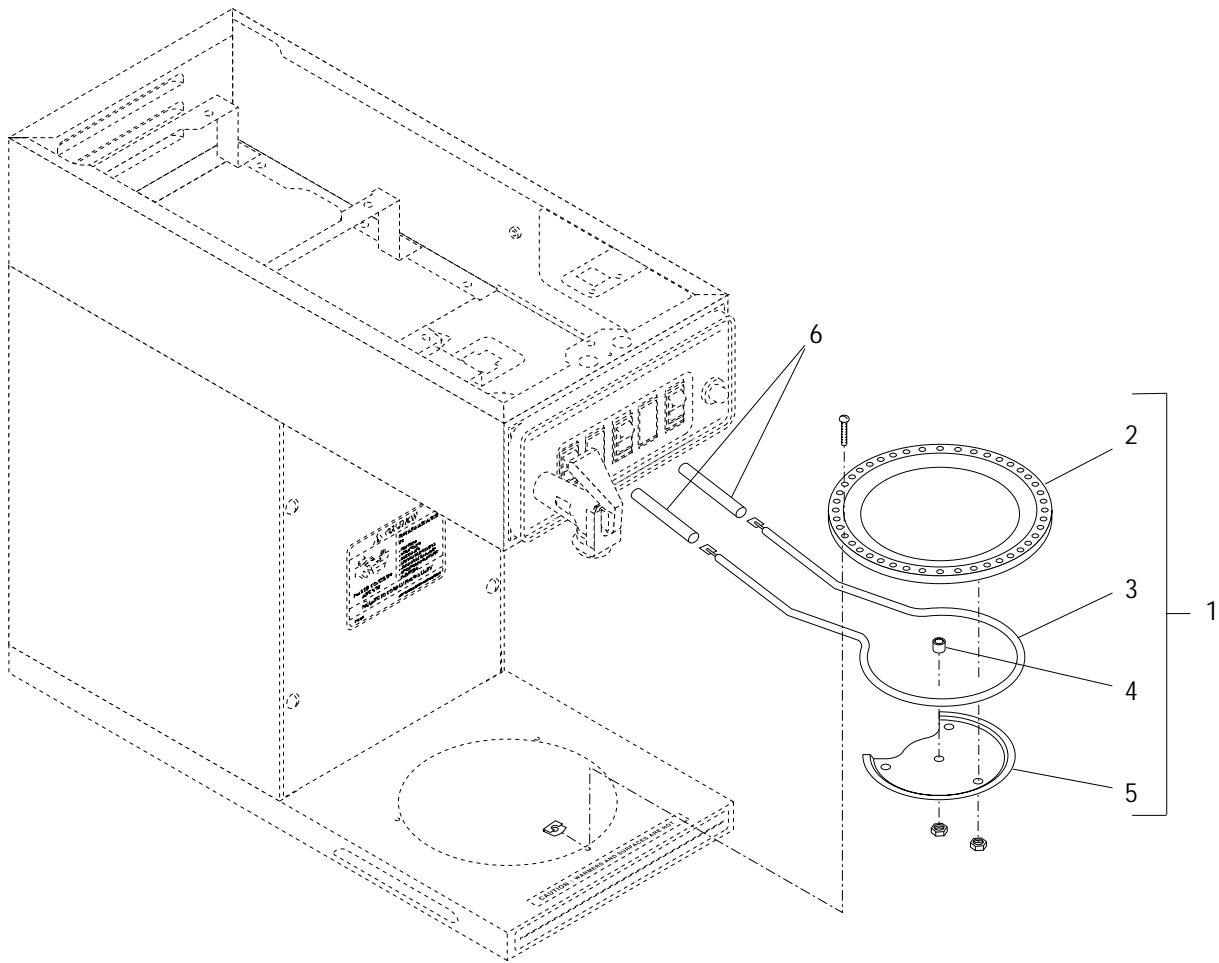
(Continued)



## ELECTRICAL AND OPERATING CONTROLS

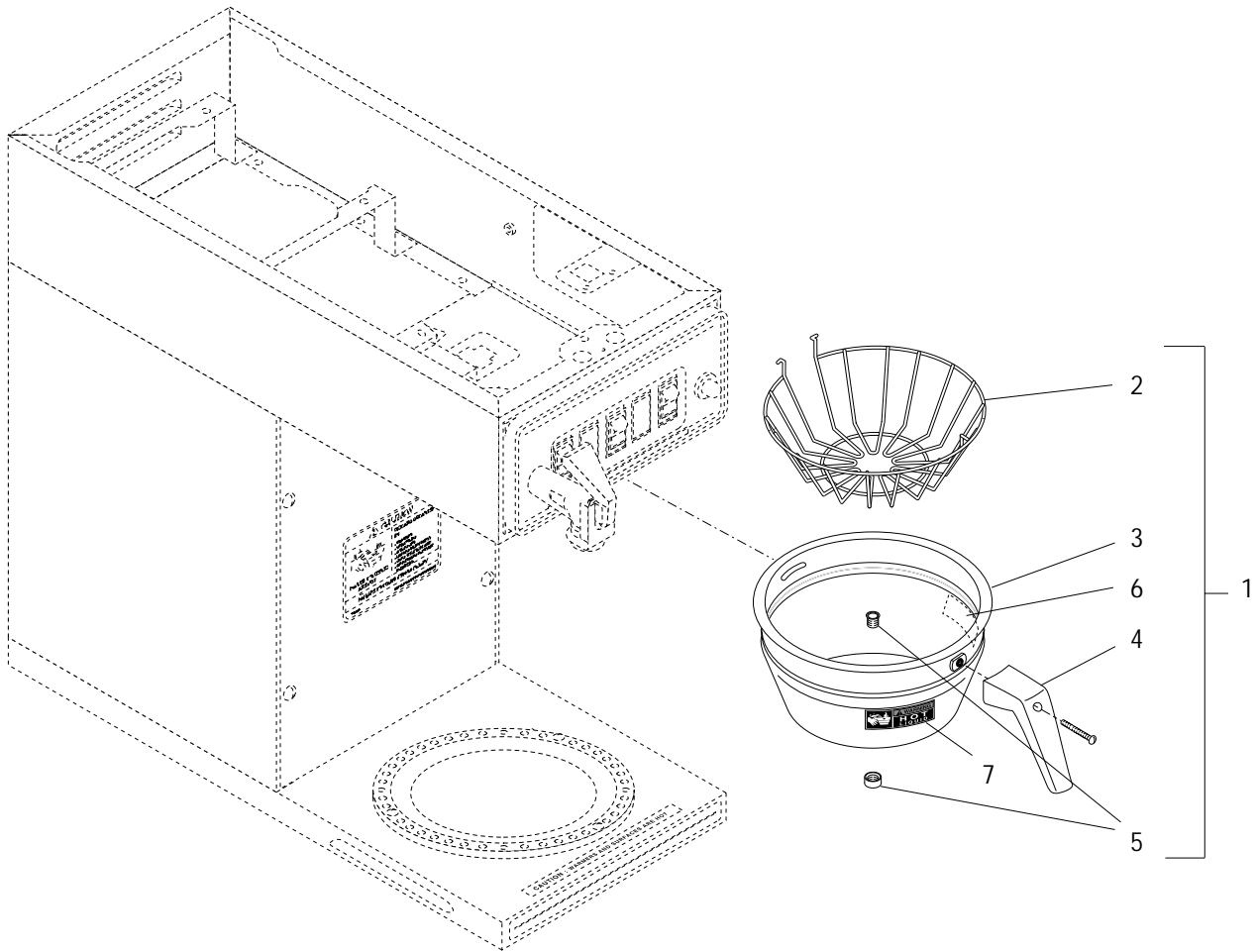
ITEM	PART NO.	QTY.	DESCRIPTION
25	25513.0000	1	Receptacle, Circuit Board Read Out (Also order item 27)
	02302.0000	2	Screw, Round Head #6-32 x .88"
	01520.0000	2	Lockwasher #6
	00906.0000	2	Nut, #6-32
26	01533.0004	6	Spacer, Nylon - .140" I.D. x .250" O.D. x .19"
27	26381.0000	1	Cover, Receptacle
28	27937.0000	1	Transformer (230/115V)
29	27035.0001	1	Fuse, AGC 250V 10AMP
30	01719.0000	1	Power Cord Assembly (120V Models only)
31	25663.0000	1	Wiring Harness, Outlet
32	25660.0000	1	Wiring Harness, Main 120V
	25946.0000	1	Wiring Harness, Main 120V/240V
	25946.0001	1	Wiring Harness, Main 200V
33	25758.0000	1	Wiring Harness, Grinder 120V

Not Illustrated



## WARMER ASSEMBLY

ITEM	PART NO.	QTY.	DESCRIPTION
1	11440.0005	1	Warmer Assembly 100W 120V (Includes items 2 thru 5)
	11440.0010	1	Warmer Assembly 100W 200V (Includes items 2 thru 5)
	01303.0000	3	Screw, Pan Head #4-40 x .50"
	00916.0000	3	Fastener, J-Type #4-40
2	03656.0000	1	Warmer Dish, Blk 45 Hole
3	11442.0000	1	Warmer Element 100W 120V
	11438.0001	1	Warmer Element 100W 200V
4	13042.0001	1	Spacer, .174" I.D. x .188"
5	05212.0000	1	Plate, Element Retaining
	00970.0000	2	Nut, Keps #8-32
6	-----	2	Tube, Silicone .250" Dia x 1.88" LG. (Order Item 7)
7	04828.1001	-	Tube, Silicone .250" Dia. x 24" LG (Use as required)





## FUNNEL AND FILTER BASKET

ITEM	PART NO.	QTY.	DESCRIPTION
1	20217.0000	1	Funnel, SST W/Black Handle (7.625" Dia)(Includes items 2 thru 5)
2	20247.0000	1	Filter Basket (7.625" Dia)
3	28554.0000	1	Funnel W/Decals, SST (7.625" Dia) (Includes items 6 & 7)
4	20244.1000	1	Handle Kit, Black (Includes Screw)
	01331.0002	1	Screw, Round Head #10-32 x 1.50"
5	01031.0000	1	Funnel Tip Kit
6	03408.0002	1	Decal, Warning-Remove Funnel
7	03409.0002	1	Decal, Warning-Hot Liquid

NUMERICAL INDEX

PART NO.	PAGE NO.	PART NO.	PAGE NO.	PART NO.	PAGE NO.	PART NO.	PAGE NO.
00400.0001	11	01719.0000	21	13054.0000	17	25463.0000	7
00402.0001	15	01927.0000	11	13055.0000	17	25464.0000	7
00459.0000	15	02301.0000	19	13056.0000	17	25464.0001	7
00463.0000	15	02302.0000	21	13057.0000	17	25466.0000	19
00465.0001	11	02308.0000	5,9,15,19	13058.0000	17	25468.0000	19
00603.0000	9	02328.0004	7	13059.0000	17	25468.0004	19
00620.0000	13	02332.0001	5,19	13060.0000	17	25472.0000	19
00656.0000	5	02332.0002	5	13061.0000	17	25477.0000	11
00658.0000	5	02337.0001	19	13352.0008	19	25481.0000	11
00831.0000	5	02361.0000	7	20211.0100	11	25482.1000	11
00906.0000	21	02536.0000	11	20217.0000	25	25482.1001	11
00908.0000	11	02822.0000	5	20244.1000	25	25482.1002	11
00910.0000	7	02858.0000	17	20247.0000	25	25485.0000	19
00912.0000	11	03408.0002	25	20526.1195	15	25486.0000	19
00916.0000	23	03409.0002	25	20577.0001	15	25513.0000	21
00937.0000	9	03628.0000	19	20637.0000	19	25626.0000	13
00942.0000	11	03656.0000	23	20690.0002	15	25628.0000	11
00943.0000	11	04118.0000	11	20941.1000	11	25660.0000	21
00970.0000	7,23	04119.0000	11	20976.1000	13	25663.0000	21
00971.0000	7	04133.0000	11	20976.1001	13	25665.0000	17
00973.0000	19	04221.0000	11	20976.1002	13	25668.0000	9
00988.0000	5	04236.1000	11	21180.0000	15	25758.0000	21
01031.0000	25	04243.0000	19	21181.0000	15	25777.0000	19
01063.0000	19	04260.0000	11	21814.0016	15	25779.0000	5
01075.0000	7	04637.1000	11	22249.0000	15	25781.0000	5
01079.0000	15	04828.1001	23	22289.0007	19	25931.1000	7
01082.0000	7	05212.0000	23	22289.0015	19	25933.0000	7
01085.0002	15	05515.0000	11	22300.0195	15	25934.0000	7
01101.0000	15	05518.0000	11	22306.0000	5	25935.0000	7
01106.0000	19	07038.0000	19	23320.0001	5	25936.0000	7
01111.0000	15	07441.0000	15	22397.0001	13	25938.0000	7
01111.0002	15	10850.0000	5	23522.0000	19	25939.0000	7
01116.0000	15	10850.0001	5	23696.0000	19	25940.0000	7
01154.0000	15	11408.0005	5	23697.0000	19	25941.0000	7
01155.0000	15	11438.0001	23	23721.0000	15	25942.0000	7
01303.0000	23	11440.0005	23	23736.0000	9	25945.0000	7
01304.0001	9	11440.0010	23	24323.0000	7	25946.0000	21
01308.0000	19	11442.0000	23	24394.0195	15	25946.0001	21
01311.0000	5,7	11707.1000	13	24805.0000	5	25948.0000	19
01311.0003	5	11707.1001	13	24806.0005	5	25949.0001	7
01315.0000	11	11707.1002	13	25102.0000	19	26071.0000	7
01317.0000	19	12364.0000	5	25137.0000	5	26072.0000	7
01327.0000	15	12422.0000	13	25144.0007	5	26073.1000	5
01330.0000	7	12422.0001	11	25144.0009	5	26080.0001	5
01331.0002	25	12568.0006	11	25309.0001	5	26080.1000	5
01370.0000	9	12570.0000	11	25352.0000	5	26216.0000	15
01382.0000	5	12645.0002	15	25352.0001	5	26217.0000	15
01382.0002	5	12687.0000	11	25417.0000	9	26225.0000	5
01502.0000	15	12688.0000	11	25421.0000	7	26381.0000	21
01516.0000	19	12689.1000	11	25424.0000	7	26458.0000	7
01520.0000	21	12914.0005	15	25440.0000	7	27035.0001	21
01532.0000	15,17	12915.0000	17	25453.0000	5	27937.0000	21
01533.0002	9	12920.0000	19	25453.0002	5	28479.0000	15
01533.0004	21	12984.0002	19	25458.0000	19	28480.0000	15
01593.0000	5	12984.0004	19	25458.0001	19	28481.0000	15
01685.0000	19	13042.0001	23	25460.0000	7	28554.0000	25
01686.0000	19	13053.0000	17	25461.0000	7	29329.1000	11