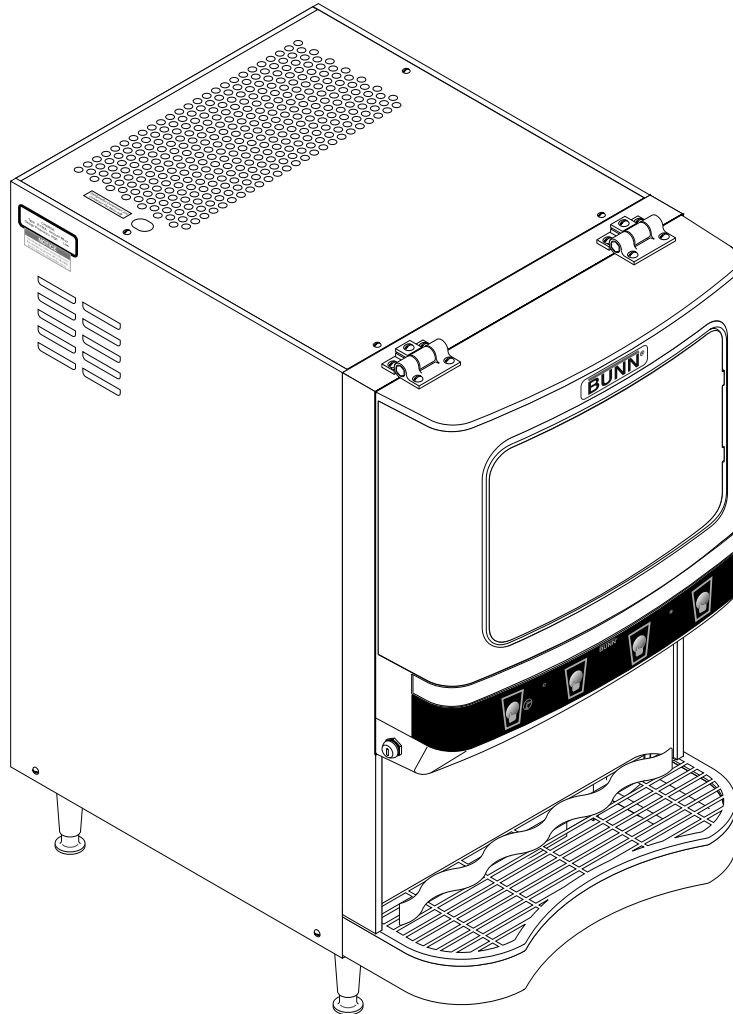


BUNN®

FCD-4



ILLUSTRATED PARTS CATALOG

Designs, materials, weights, specifications, and dimensions for equipment or replacement parts are subject to change without notice.

BUNN-O-MATIC CORPORATION

POST OFFICE BOX 3227

SPRINGFIELD, ILLINOIS 62708-3227

PHONE: (217) 529-6601 FAX: (217) 529-6644

BUNN-O-MATIC COMMERCIAL PRODUCT WARRANTY

Bunn-O-Matic Corp. ("BUNN") warrants equipment manufactured by it as follows:

- 1) All equipment other than as specified below: 2 years parts and 1 year labor.
- 2) Electronic circuit and/or control boards: parts and labor for 3 years.
- 3) Compressors on refrigeration equipment: 5 years parts and 1 year labor.
- 4) Grinding burrs on coffee grinding equipment to grind coffee to meet original factory screen sieve analysis: parts and labor for 3 years or 30,000 pounds of coffee, whichever comes first.

These warranty periods run from the date of installation BUNN warrants that the equipment manufactured by it will be commercially free of defects in material and workmanship existing at the time of manufacture and appearing within the applicable warranty period. This warranty does not apply to any equipment, component or part that was not manufactured by BUNN or that, in BUNN's judgment, has been affected by misuse, neglect, alteration, improper installation or operation, improper maintenance or repair, damage or casualty. This warranty is conditioned on the Buyer 1) giving BUNN prompt notice of any claim to be made under this warranty by telephone at (217) 529-6601 or by writing to Post Office Box 3227, Springfield, Illinois 62708-3227; 2) if requested by BUNN, shipping the defective equipment prepaid to an authorized BUNN service location; and 3) receiving prior authorization from BUNN that the defective equipment is under warranty.

THE FOREGOING WARRANTY IS EXCLUSIVE AND IS IN LIEU OF ANY OTHER WARRANTY, WRITTEN OR ORAL, EXPRESS OR IMPLIED, INCLUDING, BUT NOT LIMITED TO, ANY IMPLIED WARRANTY OF EITHER MERCHANTABILITY OR FITNESS FOR A PARTICULAR PURPOSE. The agents, dealers or employees of BUNN are not authorized to make modifications to this warranty or to make additional warranties that are binding on BUNN. Accordingly, statements by such individuals, whether oral or written, do not constitute warranties and should not be relied upon.

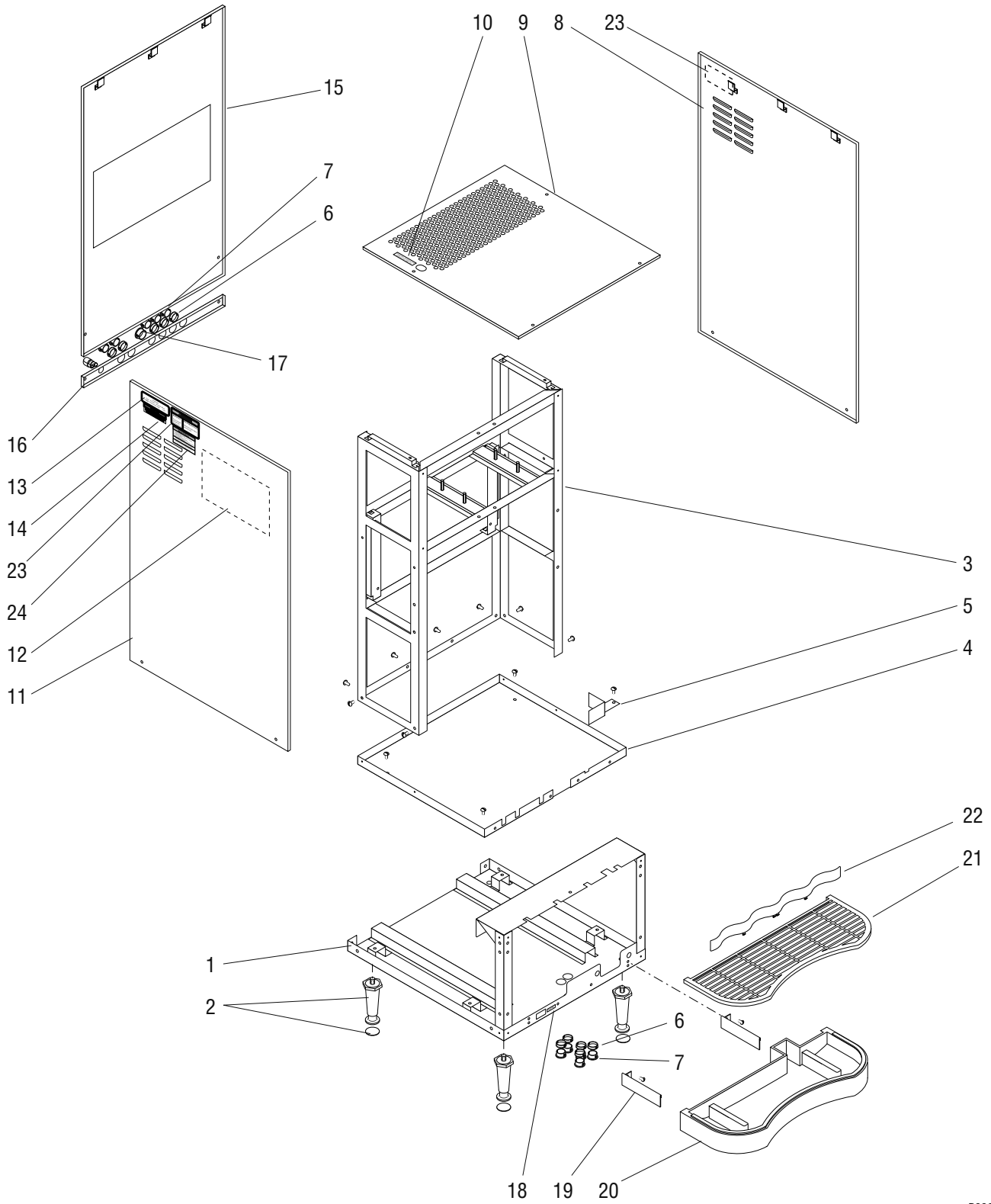
If BUNN determines in its sole discretion that the equipment does not conform to the warranty, BUNN, at its exclusive option while the equipment is under warranty, shall either 1) provide at no charge replacement parts and/or labor (during the applicable parts and labor warranty periods specified above) to repair the defective components, provided that this repair is done by a BUNN Authorized Service Representative; or 2) shall replace the equipment or refund the purchase price for the equipment.

THE BUYER'S REMEDY AGAINST BUNN FOR THE BREACH OF ANY OBLIGATION ARISING OUT OF THE SALE OF THIS EQUIPMENT, WHETHER DERIVED FROM WARRANTY OR OTHERWISE, SHALL BE LIMITED, AT BUNN'S SOLE OPTION AS SPECIFIED HEREIN, TO REPAIR, REPLACEMENT OR REFUND.

In no event shall BUNN be liable for any other damage or loss, including, but not limited to, lost profits, lost sales, loss of use of equipment, claims of Buyer's customers, cost of capital, cost of down time, cost of substitute equipment, facilities or services, or any other special, incidental or consequential damages.

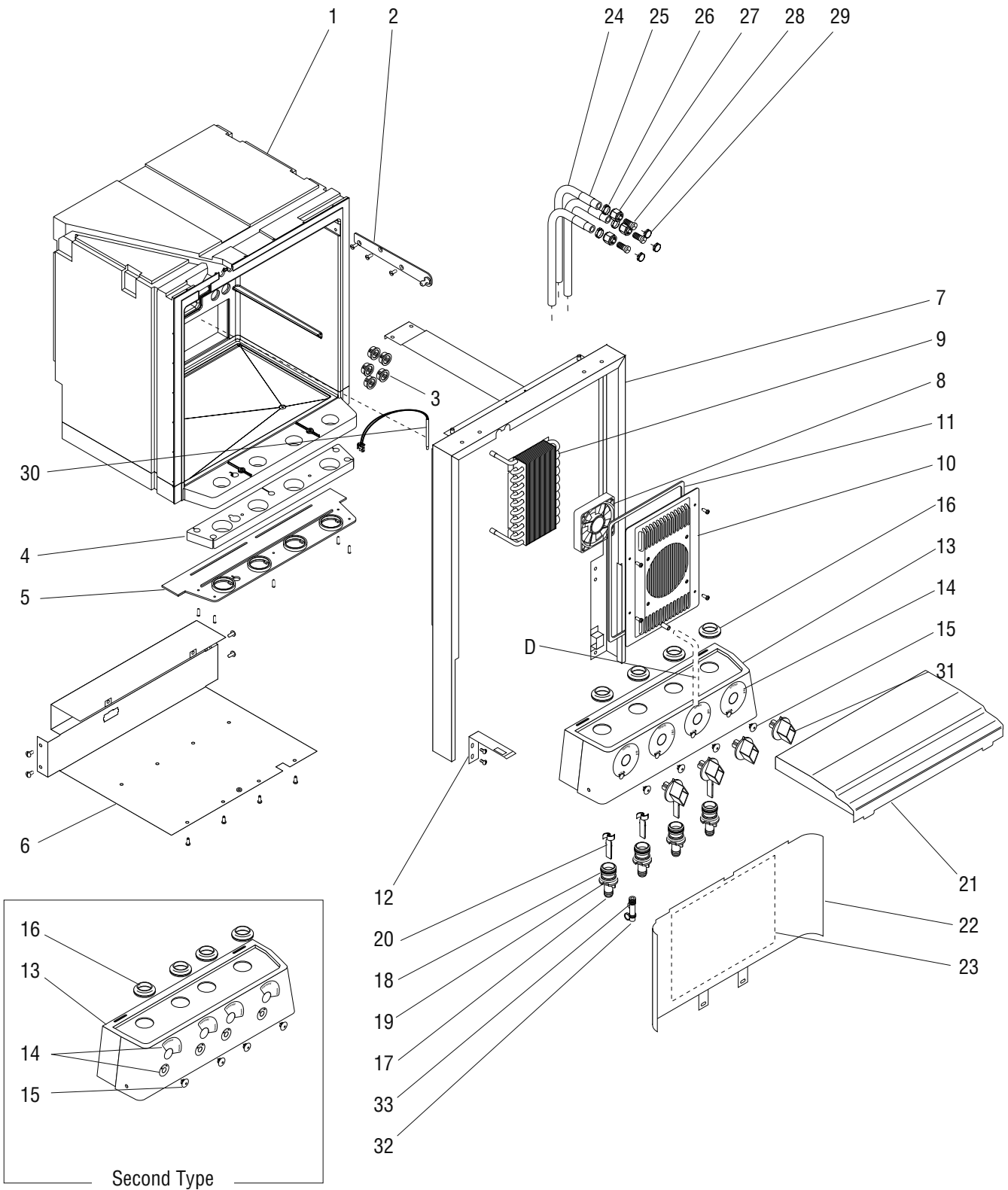
TABLE OF CONTENTS

Main Frame & Covers	4
Upper Cabinet & Panels	6
Water Tank Assy	10
Water Valve Assy	14
Refrigeration Components	18
Fan Assy	20
Compressor Assy	22
Dispense Platform Assy	24
Dispense Valve Assy	28
Plain Water Manifold Assy	30
Pump Assy	32
Rinse Water Manifold Assy	36
Bottle Adapter Assy	38
Door Assy	40
Electrical Components	44
Refillable Container Assy	48
Numerical Index	50



MAIN FRAME & COVERS

ITEM	PART NO.	QTY.	DESCRIPTION
1	29819.1000	1	Base Assy w/Decal (Includes item 18)
2	26528.0000 03996.0000	4 4	Leg Pad, Non-skid } Order item 25
3	29828.0000 01326.0004	1 8	Frame Assy, Refrigeration Screw, Locking #10-32 x .438"
4	33283.0000 01326.0004	1 4	Frame Tray Screw, Locking #10-32 x .438"
5	33156.0000	1	Bracket
6	27354.0000	10	Bushing, Snap
7	00668.0000	10	Plug
8	32489.1000 02331.0001	1 2	Panel, Right w/Decal (Includes item 23) Screw, BLK #10-32 x .38"
9	32009.1000 02331.0001	1 4	Panel, Top w/Decal (includes item 10) Screw, BLK #10-32 x .38"
10	33458.0000	1	Decal, Refrigeration ON/OFF
11	32481.1000 02331.0001	1 2	Panel, Left w/Decals (Includes items 12,13,14,23 & 24) Screw, BLK #10-32 x .38"
12	-----	1	Schematic, Refrigeration (Early Models)
13	33461.0000	1	Decal, Refrigerant Charge
14	33465.0000	1	Decal, Refrigerant Dye
15	32479.0000 02331.0001	1 2	Panel, Upper Rear Screw, BLK #10-32 x .38"
16	32477.0000 02331.0001	1 2	Panel, Lower Rear Screw, BLK #10-32 x .38"
17	32635.0000	1	Plug .812" Dia.
18	33460.0000	1	Decal, Sanitize Switch
19	33217.0000 01315.0000	2 4	Bracket Screw #8-32 x .38"
20	33048.1000	1	Drip Tray
21	32474.0000	1	Cover, Drip Tray
22	32450.0000	1	Cup Stop
23	27442.0000	2	Decal, Moving Parts Warning
24	00986.0002	1	Decal, Warning - Electrical
25	13255.0003	-	Leg Kit (Includes 4 Legs and 4 Pads)



NOTE: Letters appearing within this illustration correspond to matching connections in other illustrations.

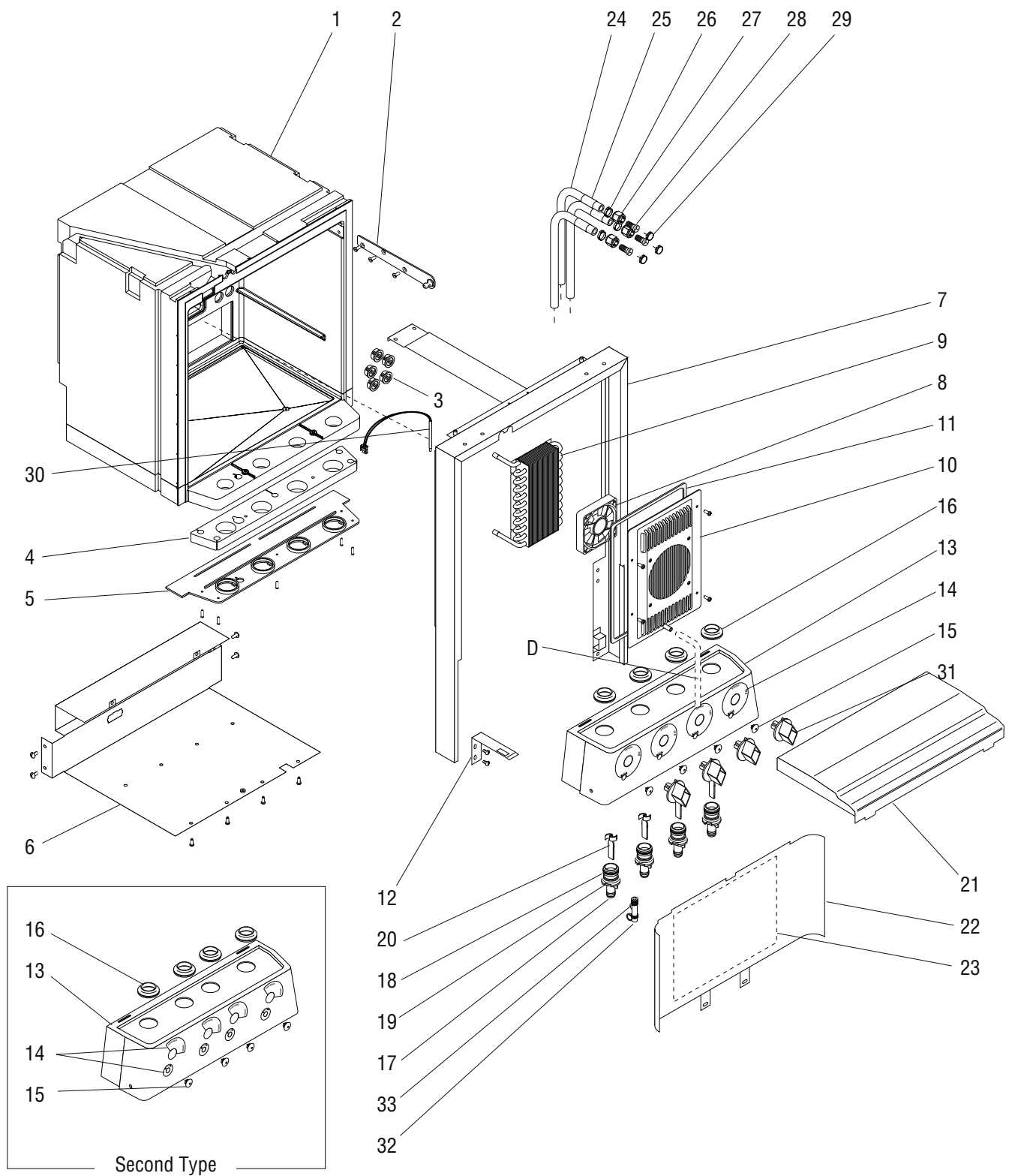
P2270

UPPER CABINET & PANELS

ITEM	PART NO.	QTY.	DESCRIPTION
1	32805.0000	1	Cabinet Assy (Includes items 8 thru 11)
2	33053.0000	1	Bracket
	33052.0000	3	Screw
3	01663.0000	5	Bushing (Early models only)
4	33516.0000	1	Foam, Upper Cabinet
5	32369.0000	1	Plate, Upper Cabinet
	01345.0000	5	Screw #6-32 x .50"
6	32594.0000	1	Bracket, Upper Cabinet
	24544.0000	10	Screw #8-18
	01326.0004	4	Screw, Locking #10-32 x .438"
7	32599.0000	1	Wrap, Upper Cabinet
	01326.0004	5	Screw, Locking #10-32 x .438"
8	33297.0000	1	Fan Assy
	24544.0000	4	Screw #8-18
9	32763.0000	1	Water Coil, Upper Cabinet
	01382.0000	4	Screw #6-32 x .38"
10	32448.1000	1	Cover (Includes item 11)
	24544.0000	4	Screw #8-18
11	33511.0000	1	Gasket
12	33172.0000	1	Bracket, Lock
	01326.0004	2	Screw, Locking #10-32 x .438"
13	32446.1000	1	Panel, Front Dispense (Includes 4 of items 14,15 & 16)(First type; models with 4 same size flavor bottles)
	32446.1001	1	Panel, Front Dispense (Includes 4 of items 14,15 & 16)(Second type; models with 2 large & 2 small flavor bottles)
	01345.0000	2	Screw #6-32 x .50"
14	33459.0000	4	Decal, Dispense/Rinse Flow Adj. (First type; models with 4 same size flavor bottles)
	33459.0001	4	Decal, Dispense/Rinse
	33459.0002	4	Decal, Flow Adj.
			} Second type; models with 2 large & 2 small flavor bottles
15	27394.0000	4	Plug
16	32461.0000	4	Gasket, Drip
17	32467.1000	4	Nozzle (includes items 18 thru 20)
18	32848.0000	4	O-ring
19	32858.0000	4	Shield
20	32621.0000	4	Mixer, Spiral
21	32443.0000	1	Product Shelf
22	32147.1000	1	Splash Guard (Includes item 23)
	01315.0000	2	Screw #8-32 x .38"

(Continued)

(Continued)

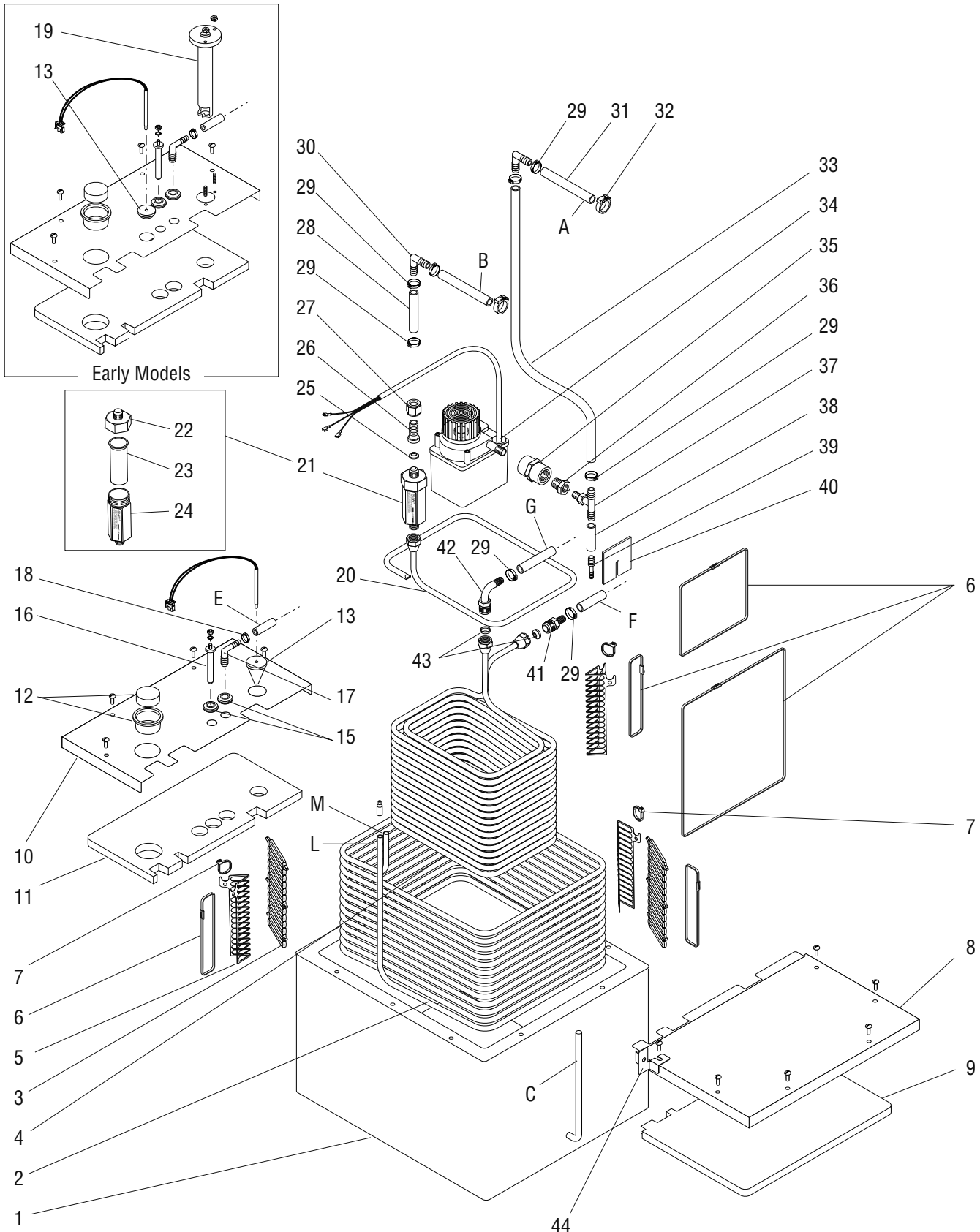


NOTE: Letters appearing within this illustration correspond to matching connections in other illustrations.

P2270

UPPER CABINET & PANELS

ITEM	PART NO.	QTY.	DESCRIPTION
23	33457.0000	1	Schematic, Electrical
24	-----	3	Hose .38" ID x .595" OD x 36.0" (Order item 34)
25	33462.0002	2	Decal, Concentrate #4
	33462.0003	2	Decal, Concentrate #2
	33462.0004	2	Decal, Concentrate #3
26	21275.0003	3	Clamp .59 - .66"
27	33150.0000	3	Nut, Swivel
28	33686.0000	3	Fitting
29	00619.0000	3	Plug
30	27246.0000	1	Temperature Sensor
31	32455.0000	4	Knob
32	32948.1000	1	Nozzle, Cold Water (Includes 1 of item 33)
33	32849.0001	3	O-ring
34	32759.1002	-	Hose .38" ID x .595" OD x 120.0" (Use as required)
35	M2568.0000	-	Grease, USDA H-1 (Use when assembling items 17,18 & 19)



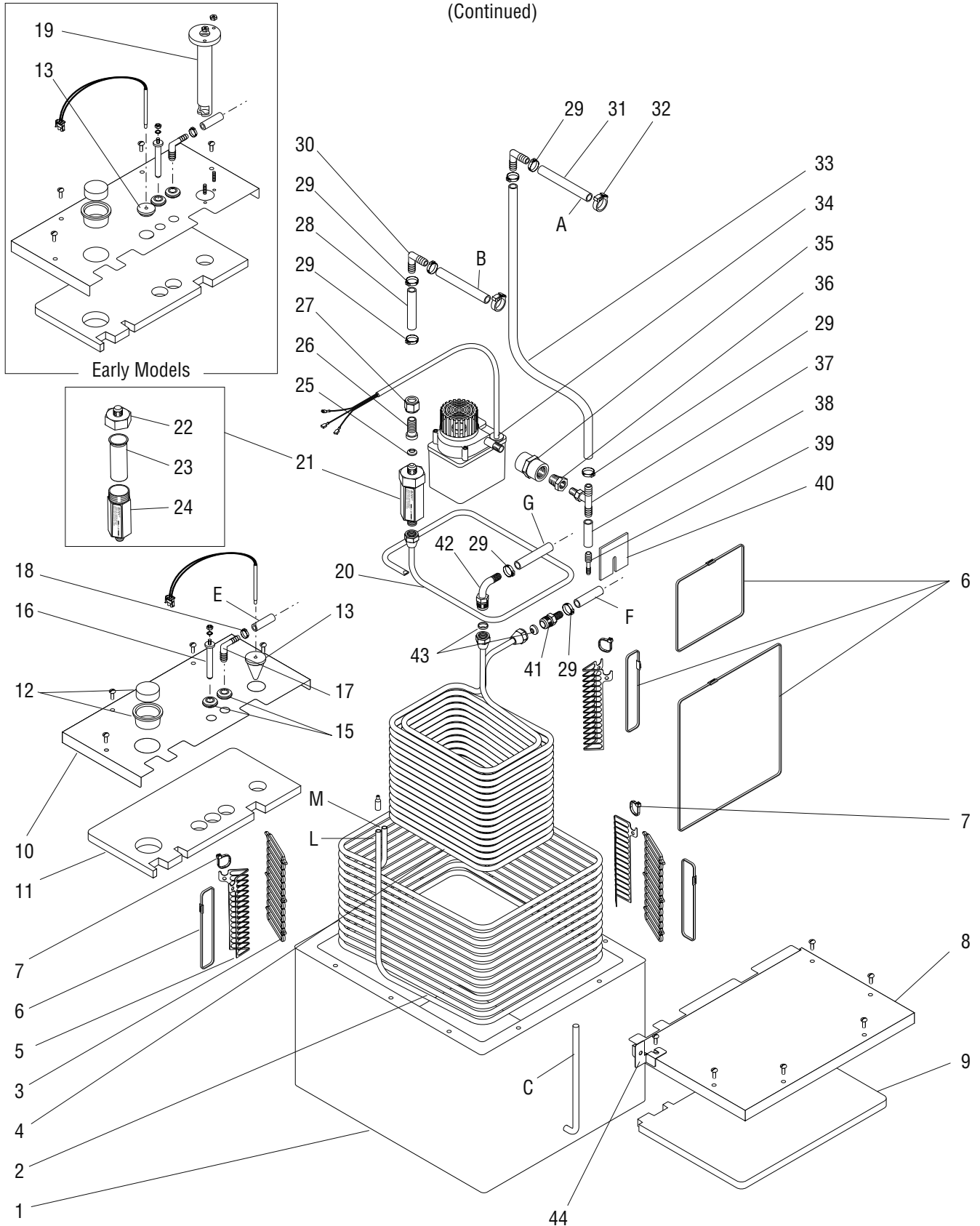
NOTE: Letters appearing within this illustration correspond to matching connections in other illustrations.

P2271

WATER TANK ASSY

ITEM	PART NO.	QTY.	DESCRIPTION
1	33224.0000	1	Tank Assy
2	32378.0000	1	Evaporator Coil
3	32583.0000	4	Spacer
4	32837.1000	1	Product Coil Assy (Includes 3 each of items 5 & 6)
5	33050.0000	3	Spacer
6	32734.0000	3	Tie, Cable SST (17.5" long)
	32734.0001	2	Tie, Cable SST (28.0" long)
7	00617.0000	3	Tie, Nylon
8	33225.1000	1	Lid, Front (Includes item 9)
	01317.0000	6	Screw #8-32 x .50"
9	29988.0001	1	Insulation
10	29985.0000	1	Lid, Rear (Includes item 11)(Early Models)
	33226.1000	1	Lid, Rear (Includes item 11)(Late Models)
	01317.0000	4	Screw #8-32 x .50"
11	29988.0000	1	Insulation (Early Models)
	29988.0002	1	Insulation (Late Models)
12	33323.1000	1	Caplug w/Insulation
13	12570.0000	1	Grommet (Early Models)
	33801.0000	1	Grommet (Late Models)
14	29327.0000	1	Temperature Sensor Kit
15	02536.0000	2	Grommet
16	02645.1000	1	Level Probe Assy (Includes hardware indented below)
	01501.0000	1	Washer
	20203.0100	1	Lockwasher, Internal-tooth #8
	00908.0000	1	Nut #8-32
17	32656.0000	1	Fitting, Elbow
18	21275.0001	1	Clamp .43 - .48"
19	32616.1000	1	Tube, Ice Bank Control
	00908.0000	2	Nut #8-32
			} Early Models
20	32444.0000	1	Return Manifold
21	23720.1000	2	Strainer Assy (Includes items 22,23 & 24)(Second to be used at water inlet)
22	23723.0000	1	Cap, End
23	23721.0000	1	Screen
24	-----	1	Housing, Strainer (Order item 21)
25	33149.0000	1	Gasket
26	33686.0000	1	Fitting, Barb
27	33150.0000	1	Swivel Nut (Continued)

(Continued)

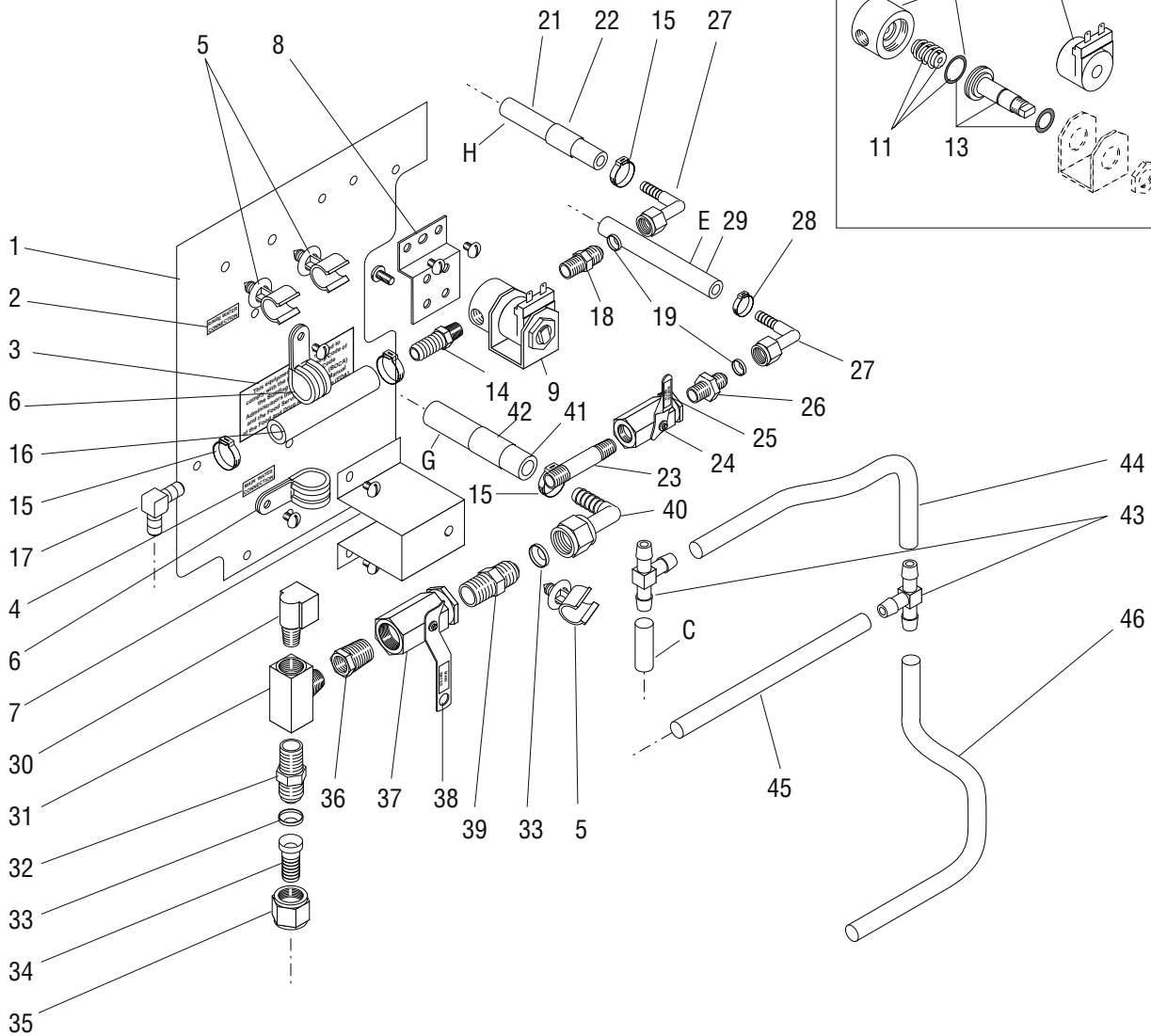
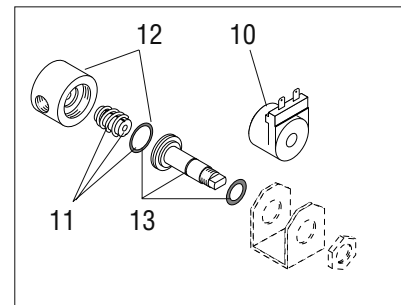
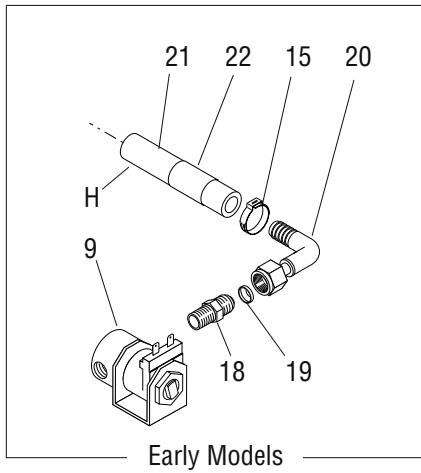


NOTE: Letters appearing within this illustration correspond to matching connections in other illustrations.

P2271

WATER TANK ASSY

ITEM	PART NO.	QTY.	DESCRIPTION
28	-----	1	Tube, Silicone .38" ID x .625" OD x 2.625" (Order item 45)
29	21275.0003	8	Clamp .59 - .66"
30	33623.0000	2	Elbow
31	-----	2	Tube, Silicone .38" ID x .625" OD x 4.0" (Order item 45)
32	12422.0005	2	Clamp .62 - .71"
33	-----	1	Tube, Silicone .38" ID x .625" OD x 30.0" (Order item 45)
34	33328.0000	1	Pump Assy
35	33067.0001	1	Fitting
36	33499.0000	1	Bushing
37	24374.0000	1	Tee
38	-----	1	Tube, Silicone .38" ID x .625" OD x 1.6" (Order item 45)
39	33068.0000	1	Fitting
40	33685.0000	1	Deflector
41	33263.0000	1	Fitting
42	33299.0000	1	Elbow
43	33149.0001	2	Gasket
44	33707.0000	1	Bracket
	01326.0004	1	Screw, Locking #10-32 x .438"
45	20976.1000	-	Tube, Silicone .38" ID x .625" OD x 12.0" (Use as required)
	20976.1001	-	Tube, Silicone .38" ID x .625" OD x 36.0" (Use as required)
	20976.1002	-	Tube, Silicone .38" ID x .625" OD x 120.0" (Use as required)



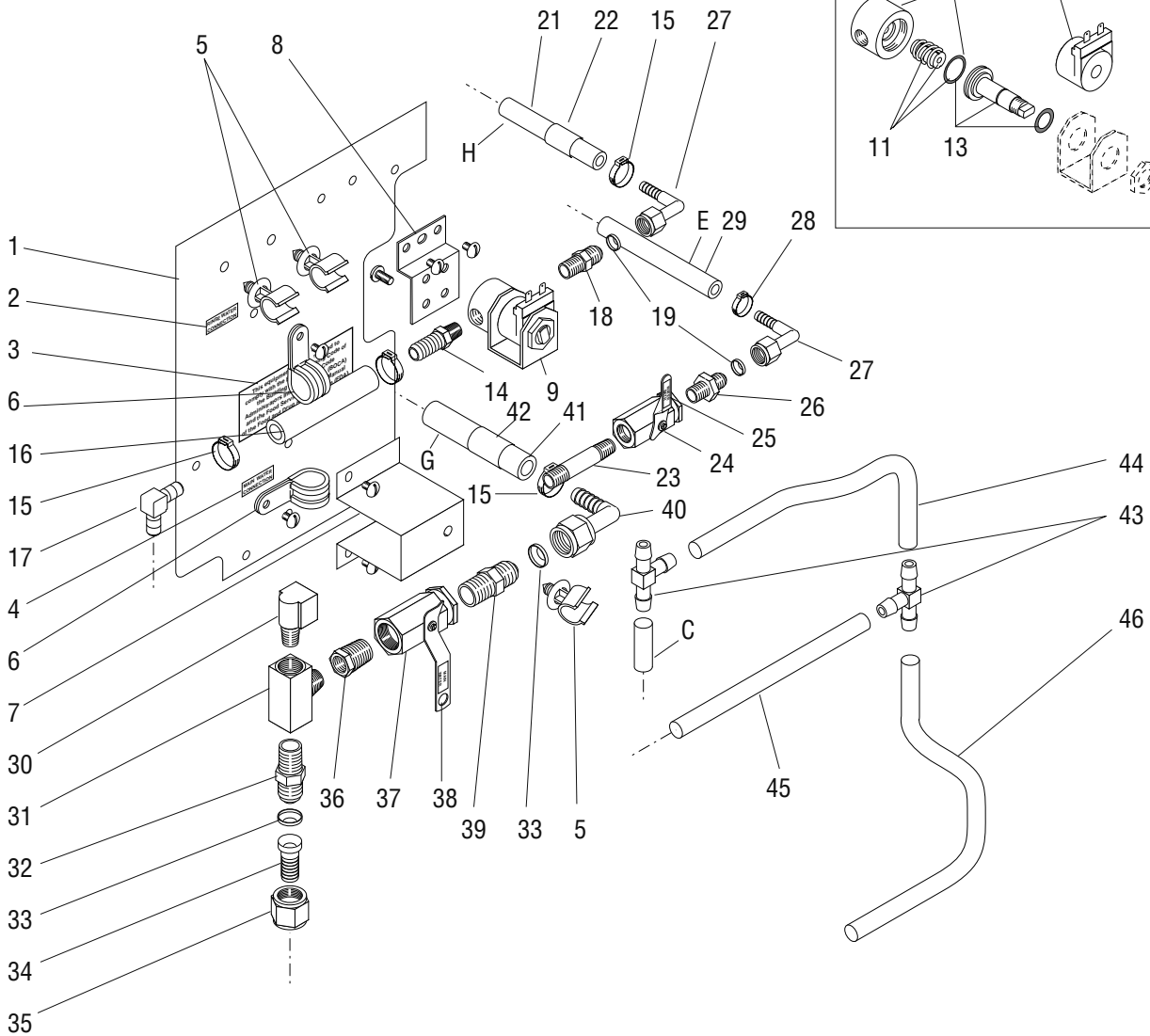
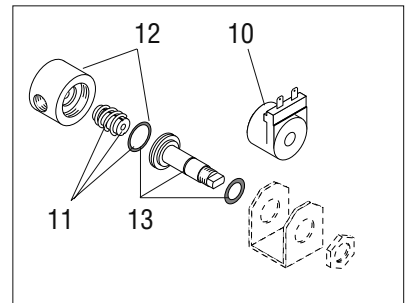
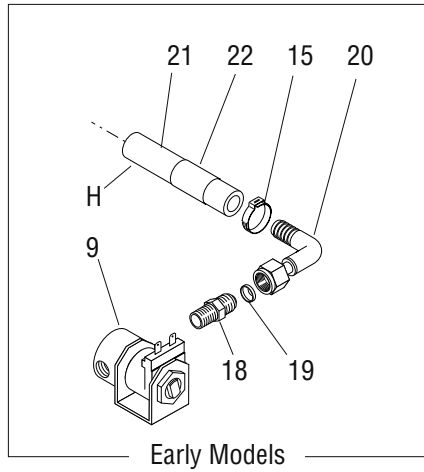
NOTE: Letters appearing within this illustration correspond to matching connections in other illustrations.

WATER VALVE ASSEMBLY

ITEM	PART NO.	QTY.	DESCRIPTION
1	32590.0000	1	Bracket, Valve Mounting
	01311.0000	5	Screw #8-32 x .25"
2	33646.0000	1	Decal, Rinse Water Connection
3	00656.0000	1	Decal, Comply to Plumbing
4	33645.0000	1	Decal, Main Water Connection
5	27410.0000	3	Clip, Tube
6	32360.0001	2	Clamp
	01311.0000	2	Screw #8-32 x .25"
7	32587.0001	1	Bracket
	01311.0000	2	Screw #8-32 x .25"
8	20201.4300	1	Bracket
	01311.0000	2	Screw #8-32 x .25"
9	01085.0002	1	Valve, Solenoid (Includes items 10 - 13)
	01327.0000	2	Screw #10-32 x .38"
10	28480.0000	1	Solenoid Valve Coil
11	01111.0002	1	Solenoid Valve Repair Kit (Includes Plunger, Spring and O-ring)
12	28479.0000	1	Solenoid Valve Base Kit (Includes O-ring)
13	28481.0000	1	Guide Kit
14	33152.0000	1	Fitting
15	21275.0003	4	Clamp .59 - .66"
16	-----	1	Hose .38" ID x .595" OD x 3.0" (Order item 47)
17	32974.0001	1	Elbow
18	00402.0001	1	Connector
19	33149.0001	2	Gasket
20	33151.0002	1	Fitting, Elbow .38" Barb (Early Models)
21	-----	1	Hose .38" ID x .595" OD x 27.0" (Order item 47)(Early Models)
	-----	1	Hose .25" ID x .44" OD x 27.0" (Order item 48)(LateModels)
22	33462.0001	1	Decal, Wrap Around - Rinse Line
23	12155.0003	1	Nipple
24	33113.0000	1	Valve (Also order item 25)
25	33466.0000	1	Decal, Water Bath Fill Valve
26	00403.0002	1	Connector
27	33151.0001	2	Fitting, Elbow .25" Barb (One less used on Early Models)

(Continued)

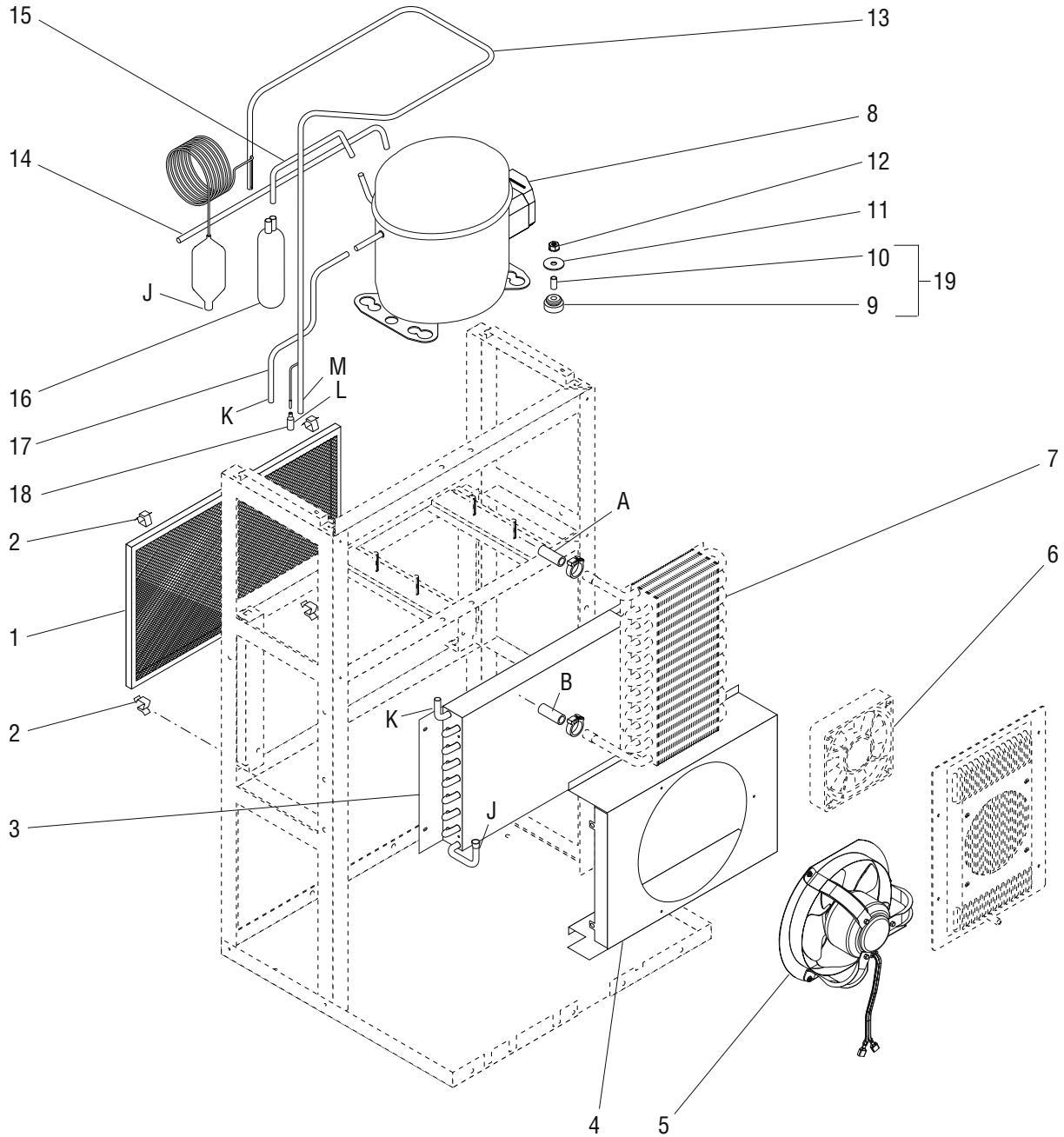
(Continued)



NOTE: Letters appearing within this illustration correspond to matching connections in other illustrations.

WATER VALVE ASSEMBLY

ITEM	PART NO.	QTY.	DESCRIPTION
28	21275.0001	1	Clamp .43 - .48" (Service replacement)
29	-----	1	Hose .25" ID x .44" OD x 18.0" (Order item 48)
30	00442.0001	1	Elbow
31	21195.0001	1	Tee
32	00510.0001	1	Connector
33	33149.0000	2	Gasket
34	33686.0000	1	Nipple
35	33150.0000	1	Nut, Swivel
36	00441.0000	1	Bushing
37	33114.0000	1	Valve (Also order item 38)
38	33467.0000	1	Decal, Main Water Valve
39	00510.0002	1	Connector
40	33151.0000	1	Fitting, Elbow
41	-----	1	Hose .38" ID x .595" OD x 21.0" (Order item 47)
42	33462.0000	1	Decal, Wrap Around - Water Line
43	33153.0000	2	Tee
44	-----	1	Hose, Silicone .25" ID x .50" OD x 8.5" (Order item 49)
45	-----	1	Hose, Silicone .25" ID x .50" OD x 5.0" (Order item 49)
46	-----	1	Hose, Silicone .25" ID x .50" OD x 6.0" (Order item 49)
47	32759.1002	-	Hose .38" ID x .595" OD x 120.0" (Use as required)
48	32745.1002	-	Hose .25" ID x .44" OD x 120.0" (Use as required)
49	11707.1000	-	Hose, Silicone .25" ID x .50" OD x 12.0" (Use as required)
	11707.1001	-	Hose, Silicone .25" ID x .50" OD x 36.0" (Use as required)
	11707.1002	-	Hose, Silicone .25" ID x .50" OD x 120.0" (Use as required)

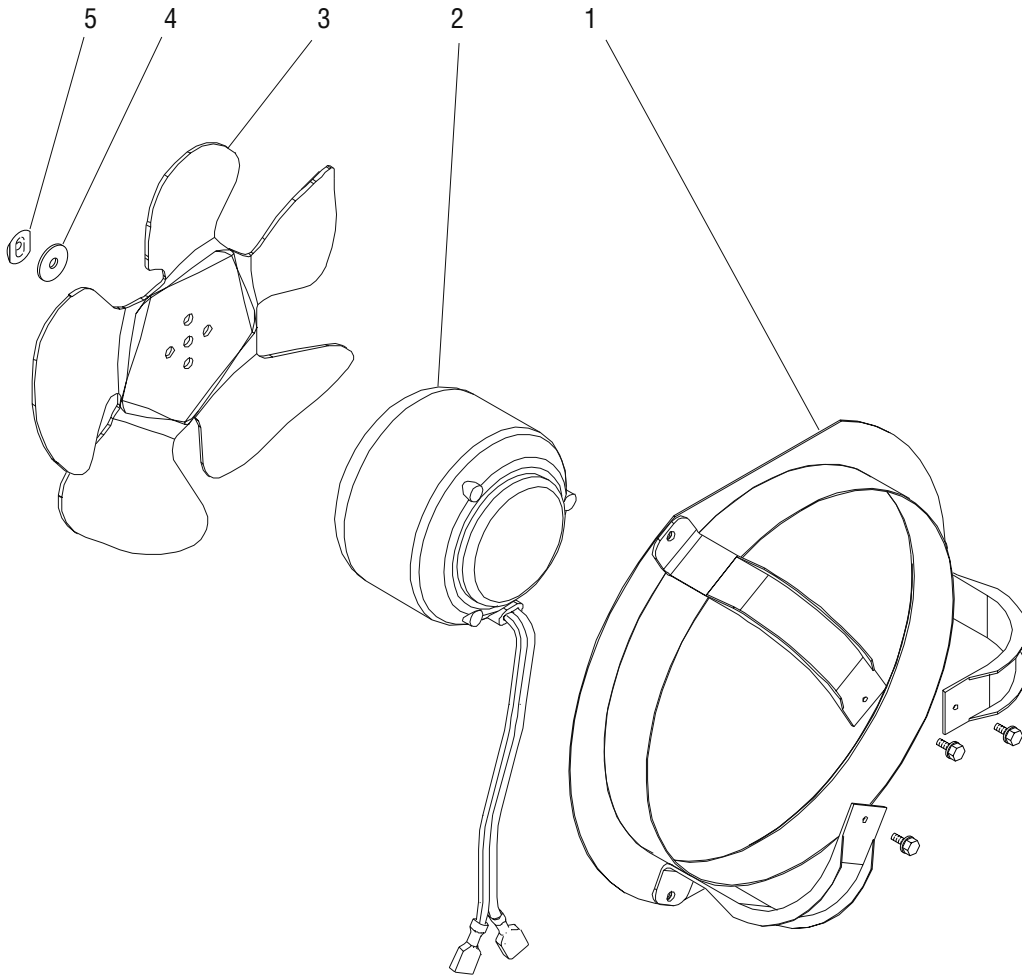


P2273

NOTE: Letters appearing within this illustration correspond to matching connections in other illustrations.

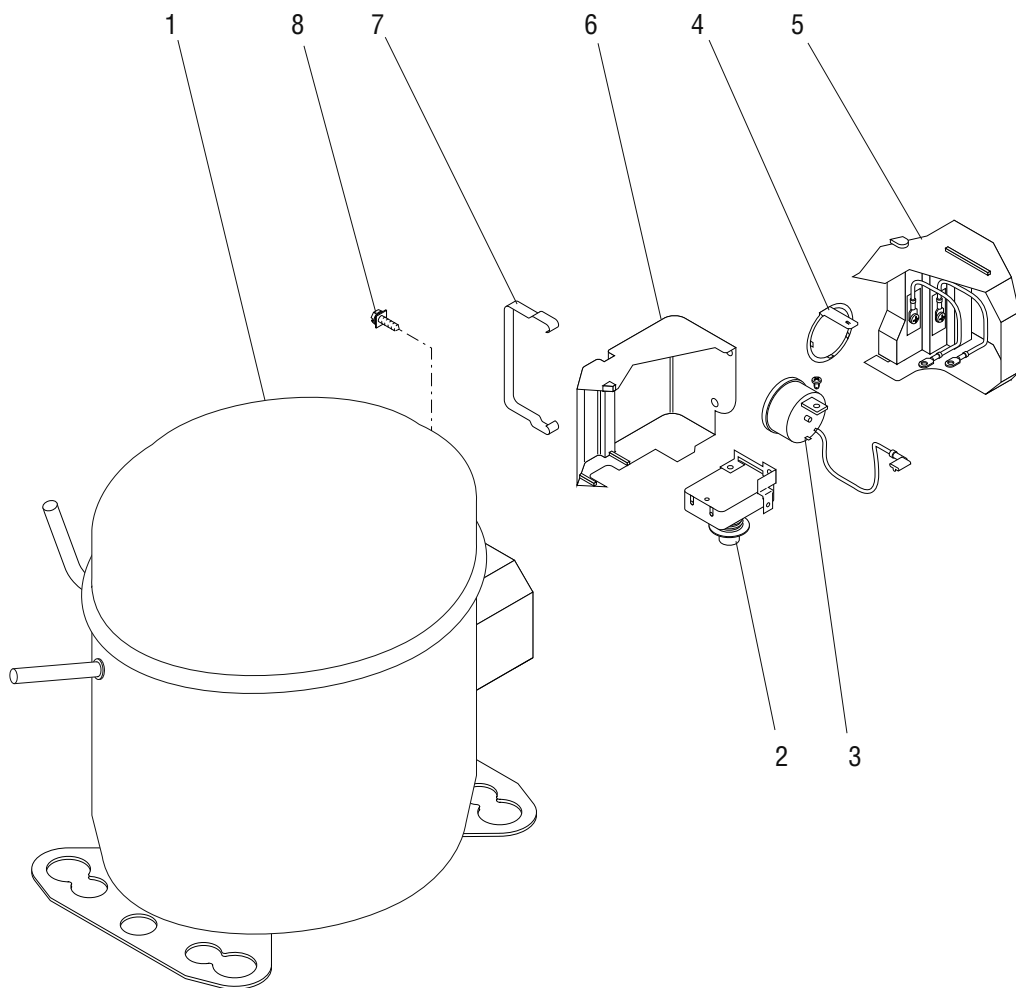
REFRIGERATION COMPONENTS

ITEM	PART NO.	QTY.	DESCRIPTION
1	32155.0000	1	Air Filter
2	00927.0000	4	Clip
3	32211.0000	1	Condenser
	01311.0000	4	Screw #8-32 x .25"
4	32203.0000	1	Shroud
	02332.0002	4	Screw #6 x .38"
5	-----	1	Fan Assy (See CONDENSER FAN ASSY)
	02332.0002	3	Screw #6 x .38"
6	-----	1	Fan Assy (See UPPER CABINET ASSY)
7	-----	1	Water Coil (See UPPER CABINET ASSY)
8	-----	1	Compressor Assy (See COMPRESSOR ASSY)
9	-----	4	Grommet
10	-----	4	Sleeve
			} Order item 19
11	21431.0003	4	Washer
12	23700.0000	4	Nut
13	33105.0000	1	Tube (Requires brazing to install)
14	33112.0001	1	Tube (Requires brazing to install)
15	33104.0001	1	Tube (Requires brazing to install)
16	32776.0001	1	Accumulator (Requires brazing to install)
17	33102.0001	1	Tube (Requires brazing to install)
18	32777.0000	1	Tube Adapter (Requires brazing to install)
19	28567.0000	1	Mounting Kit (Includes four each of items 9 & 10)



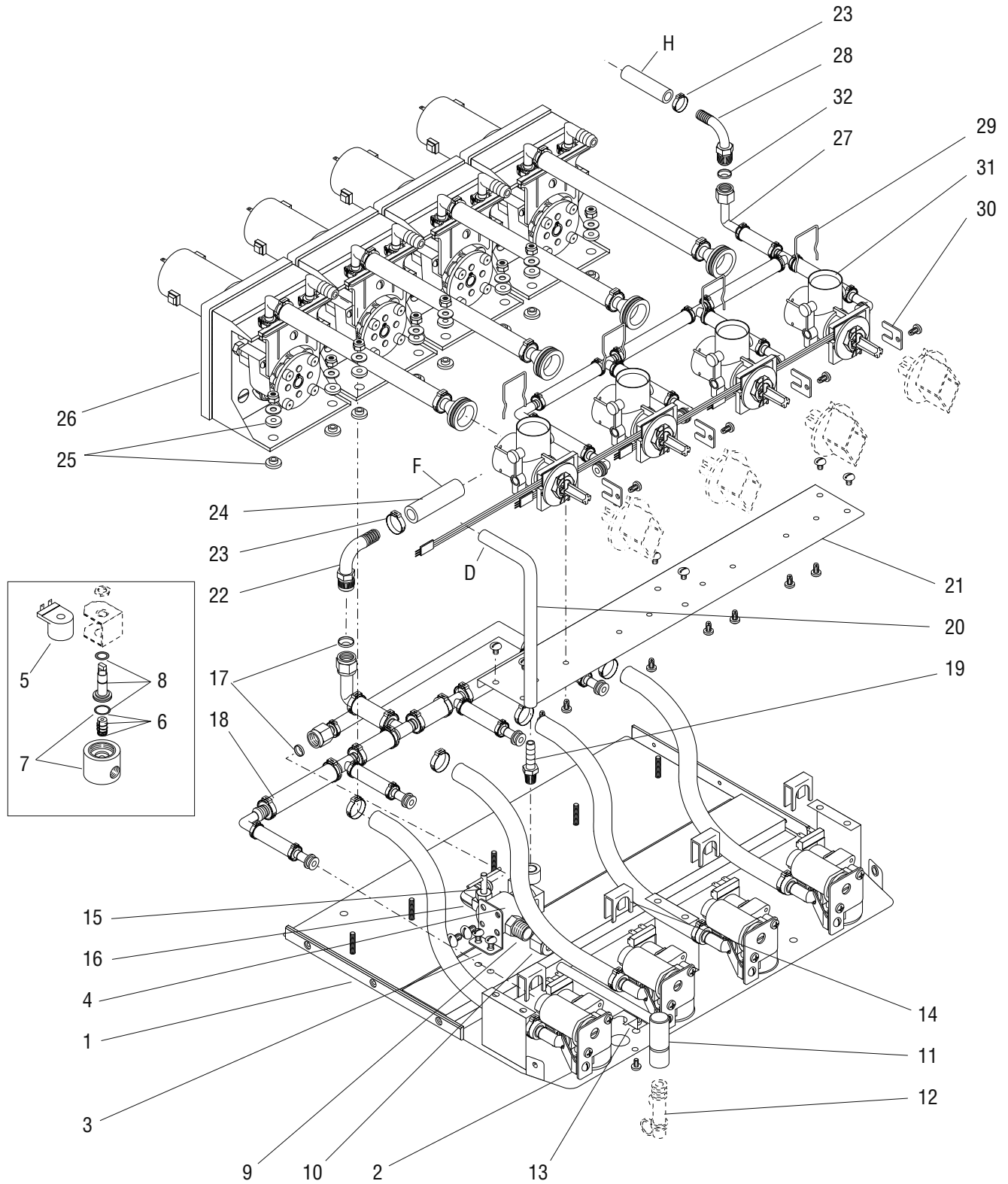
FAN ASSEMBLY

ITEM	PART NO.	QTY.	DESCRIPTION
-	32204.0000	1	Fan Assy (Includes items 1-5)
	02332.0002	3	Screw, Crimptite #6 x .38"
1	33601.0000	1	Mount
	27243.0000	3	Screw, Thread Forming #8-32 x .437"
2	33603.0000	1	Motor Assy
3	33602.0000	1	Blade, Fan
4	27258.0000	1	Silencer
5	27257.0000	1	Speed Nut



COMPRESSOR ASSEMBLY

ITEM	PART NO.	QTY.	DESCRIPTION
-	32778.0000	1	Compressor Assy (Includes items 1 - 8)
1	-----	1	Compressor Housing (Not serviced)
2	33759.0000	1	Relay
3	33758.0000	1	Overload Protector
4	33757.0000	1	Retainer
5	33756.0000	1	Terminal Block Cover
6	33755.0000	1	Cover
7	33754.0000	1	Clip
8	33762.0000	1	Screw, Pan Head, Ground M3.5 x 6mm



P2276

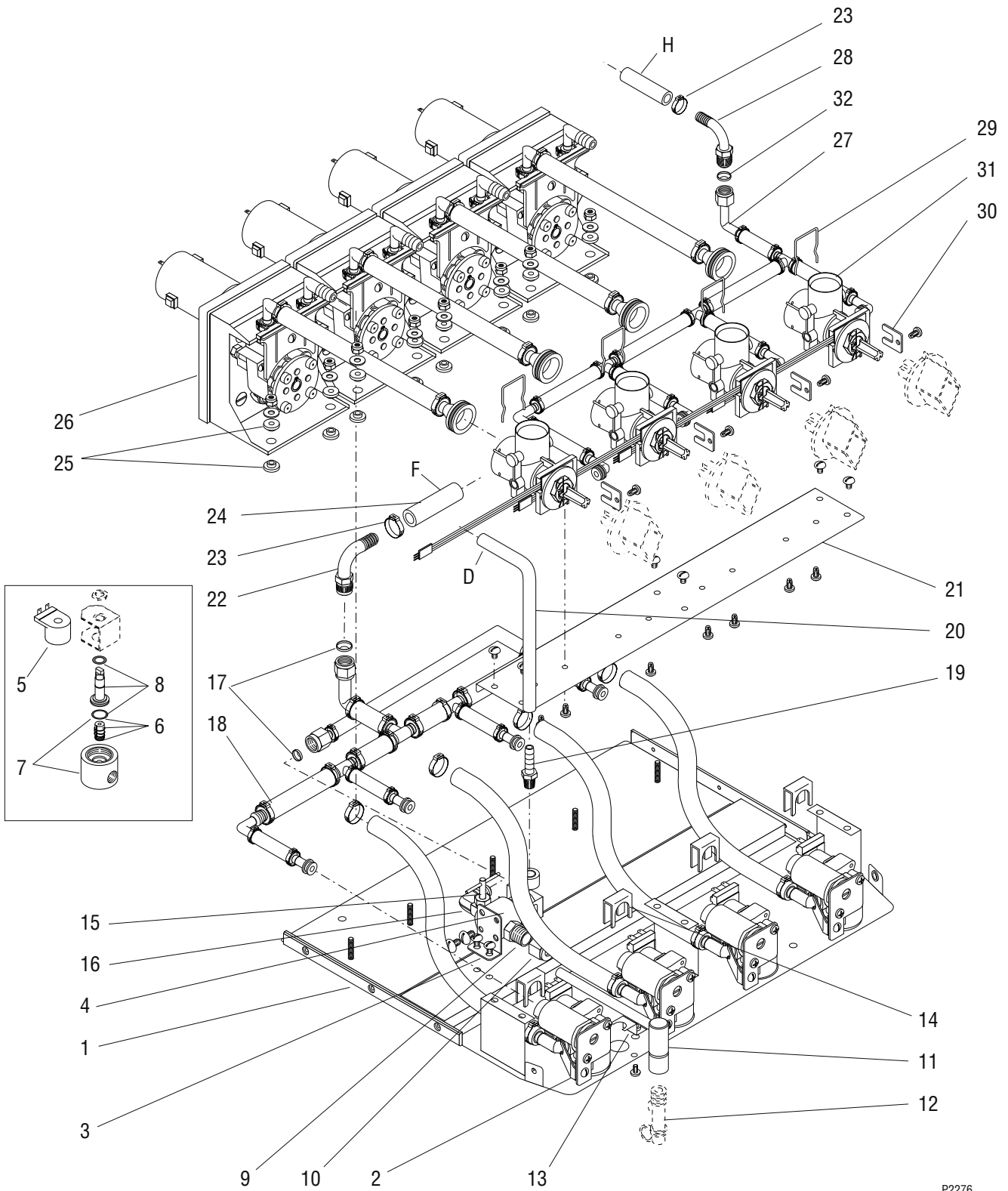
NOTE: Letters appearing within this illustration correspond to matching connections in other illustrations.

DISPENSE PLATFORM ASSEMBLY

ITEM	PART NO.	QTY.	DESCRIPTION
-	32762.0000	1	Platform Assy (Includes items 1 thru 11, 13 thru 21, 23 thru 31, 35 & 36)
1	32736.1000	1	Dispense Platform Assy
2	----- 32860.0000	4 8	Dispense Valve (See DISPENSE VALVE ASSY) Screw #8-18 x .312"
3	04623.0001 01311.0001	1 2	Bracket Screw, Locking #8-32 x .25"
4	32757.0000 01326.0002	1 2	Valve Assy, Water (Includes items 5 - 8) Screw, Locking #10-32 x .312"
5	33582.0000	1	Solenoid Valve Coil
6	01111.0002	1	Solenoid Valve Repair Kit (Includes Plunger, Spring and O-ring)
7	33587.0000	1	Solenoid Valve Base Kit (Includes O-ring)
8	28481.0000	1	Guide Kit
9	00406.0001	1	Fitting
10	00929.0001	1	Nut, Compression
11	33148.0000	1	Socket, Cold Water
12	-----	1	Nozzle, Cold Water (See UPPER CABINET & PANELS)
13	32951.0000 01308.0002	1 1	Bracket Screw, Locking #6-32 x .25"
14	32857.0000	4	Clip
15	21634.0002	1	Valve, Needle
16	00456.0001	1	Elbow
17	33149.0001	2	Gasket
18	-----	1	Manifold, Plain Water (See PLAIN WATER MANIFOLD ASSY)
19	22397.0001 00464.0001	1 1	Fitting (Early Models) Elbow (Late Models)
20	-----	1	Hose, Silicone .25" ID x .50" OD x 7.0" (Order item 33)
21	32539.0000 01311.0001	1 6	Rail Screw, Locking #8-32 x .25"
22	33299.0000	1	Elbow
23	21275.0003	6	Clamp .59 - .66"
24	-----	1	Hose .38" ID x .595" OD x 21.0" (Order item 34)
25	32957.0001	16	Bushing, Rubber

(Continued)

(Continued)



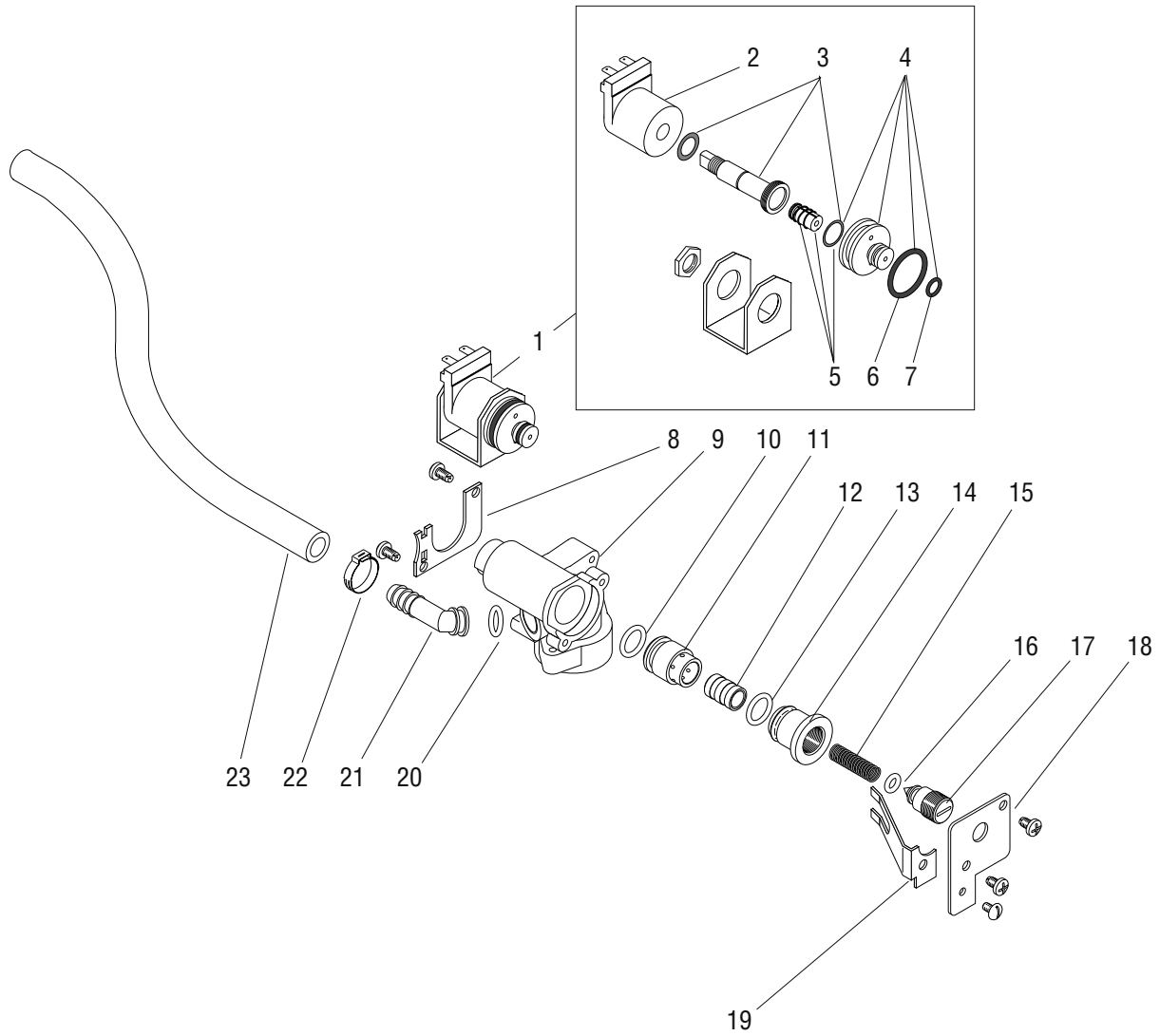
P2276

NOTE: Letters appearing within this illustration correspond to matching connections in other illustrations.

DISPENSE PLATFORM ASSEMBLY

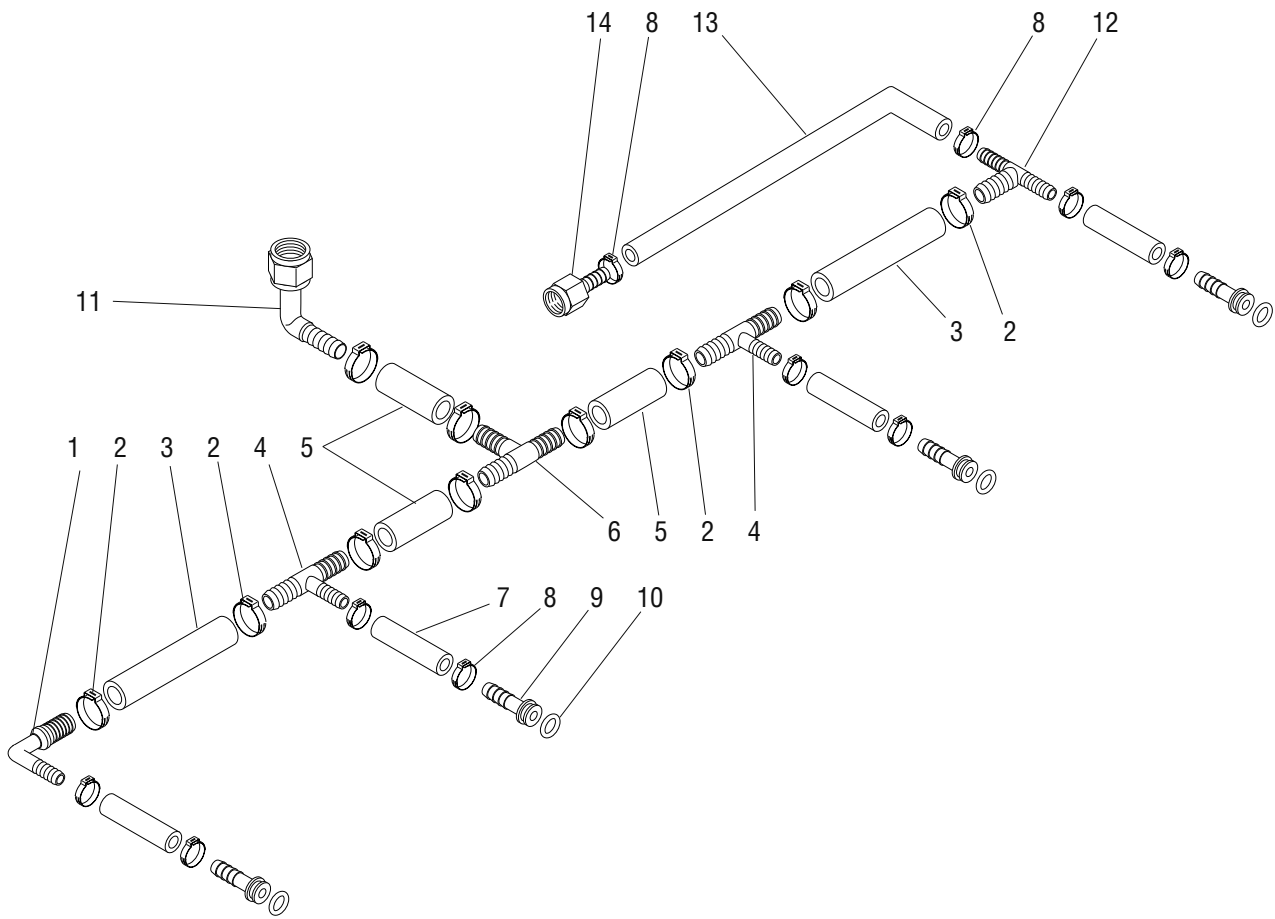
ITEM	PART NO.	QTY.	DESCRIPTION
26	-----	4	Pump Assy (See PUMP ASSEMBLY)
	01338.0000	4	Screw 38-32 x .625"
	01522.0000	8	Washer
	00991.0000	4	Nut, Elastic Lock #8-32
27	-----	1	Manifold, Rinse Water (See RINSE WATER MANIFOLD ASSY)
28	33508.0000	1	Elbow .38" Barb (Early Models)
	33774.0000	1	Elbow .25" Barb (Late Models)
29	32458.0000	4	Clip, Retainer
30	32846.0000	4	Plate
	32860.0000	4	Screw #8-18 x .312"
31	-----	4	Bottle Adapter (See BOTTLE ADAPTER ASSY)
	32860.0000	8	Screw #8-18 x .312"
32	33149.0001	1	Gasket
33	11707.1000	-	Hose, Silicone .25" ID x .50" OD x 12.0" (Use as required)
34	32759.1002	-	Hose .38" ID x .595" OD x 120.0" (Use as required)
35	33180.0000	1	Wiring Harness, Platform Rear
36	33140.0001	1	Wiring Harness, Dispense Valve

} Not Illustrated



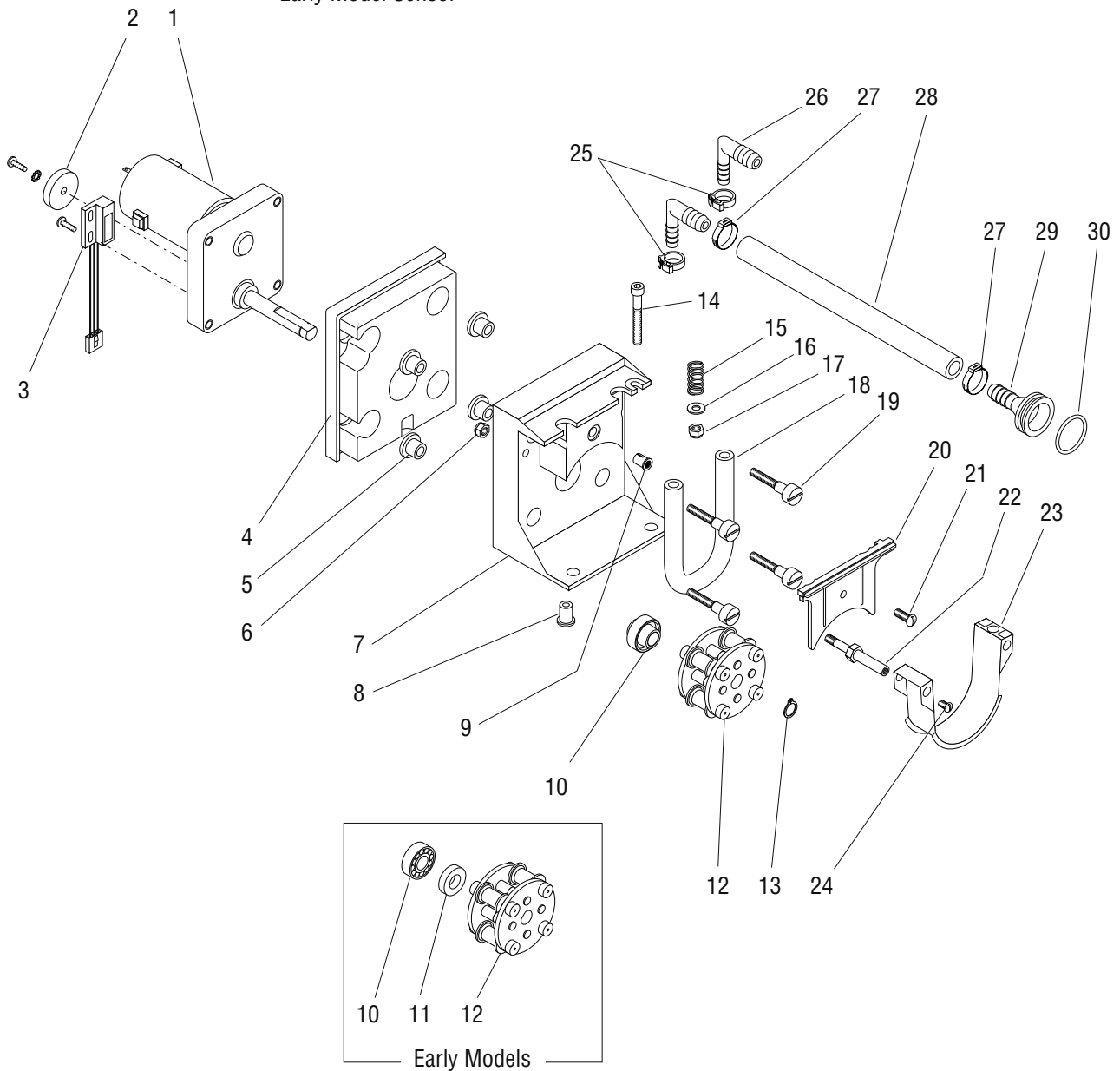
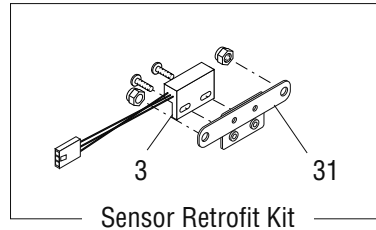
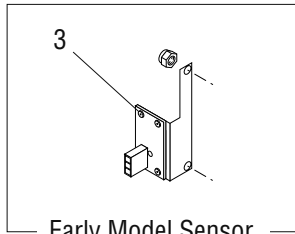
DISPENSE VALVE ASSEMBLY

ITEM	PART NO.	QTY.	DESCRIPTION
-	32755.0000	1	Dispense Valve Assy (Includes items 1 - 23)
1	32252.0000	1	Valve, Solenoid (Includes items 2 - 7)
2	33554.0000	1	Solenoid Valve Coil
3	28481.0000	1	Guide Kit (Includes Guide, Washer and O-ring)
4	33585.0000	1	Solenoid Valve Base Kit (Includes O-ring and items 6 & 7)
5	01111.0002	1	Solenoid Valve Repair Kit (Includes Plunger, Spring and O-ring)
6	33580.0000	1	O-ring
7	33553.0000	1	O-ring
8	32855.0000	1	Bracket
	32860.0000	2	Screw #8-18 x .312"
9	32622.0000	1	Body
10	32852.0000	1	O-ring (Also use item 25)
11	32603.0000	1	Sleeve
12	32602.0000	1	Piston
13	33725.0000	1	O-ring (Also use item 25)
14	32624.0000	1	Bonnet, Adjuster
15	32853.0000	1	Spring, Flow Control
16	32851.0000	1	O-ring (Also use item 25)
17	32623.0000	1	Adjuster, Position
18	32856.0000	1	Bracket
	32860.0000	2	Screw #8-18 x .312"
19	33155.0000	1	Bracket, Fitting
	01308.0000	1	Screw #6-32 x .25"
20	32849.0001	1	O-ring (Also use item 25)
21	32655.0000	1	Fitting, Elbow
22	21275.0003	1	Clamp .59 - .66"
23	-----	1	Hose .38" ID x .595" OD x 10.25" (Order item 24)
24	32759.1002	-	Hose .38" ID x .595" OD x 120.0" (Use as required)
25	M2568.0000	-	Grease, USDA H-1 (Use when assembling items 10,13,16 & 20)



PLAIN WATER MANIFOLD

ITEM	PART NO.	QTY.	DESCRIPTION
1	32753.0000	1	Elbow
2	21275.0000	10	Clamp .52" - .62"
3	-----	2	Hose .38" ID x .595" OD x 3.0" (Order item 15)
4	32749.0000	2	Tee
5	-----	3	Hose .38" ID x .595" OD x 1.5" (Order item 15)
6	32750.0000	1	Tee
7	-----	4	Hose .25" ID x .44" OD x 1.75" (Order item 16)
8	21275.0001	10	Clamp .43 - .48"
9	32631.0000	4	Fitting
10	32849.0001	4	O-ring
11	33151.0000	1	Fitting
12	32751.0000	1	Tee
13	-----	1	Hose .25" ID x .44" OD x 10.25" (Order item 16)
14	00425.0000	1	Fitting
15	32759.1002	-	Hose .38" ID x .595" OD x 120.0" (Use as required)
16	32745.1002	-	Hose .25" ID x .44" OD x 120.0" (Use as required)

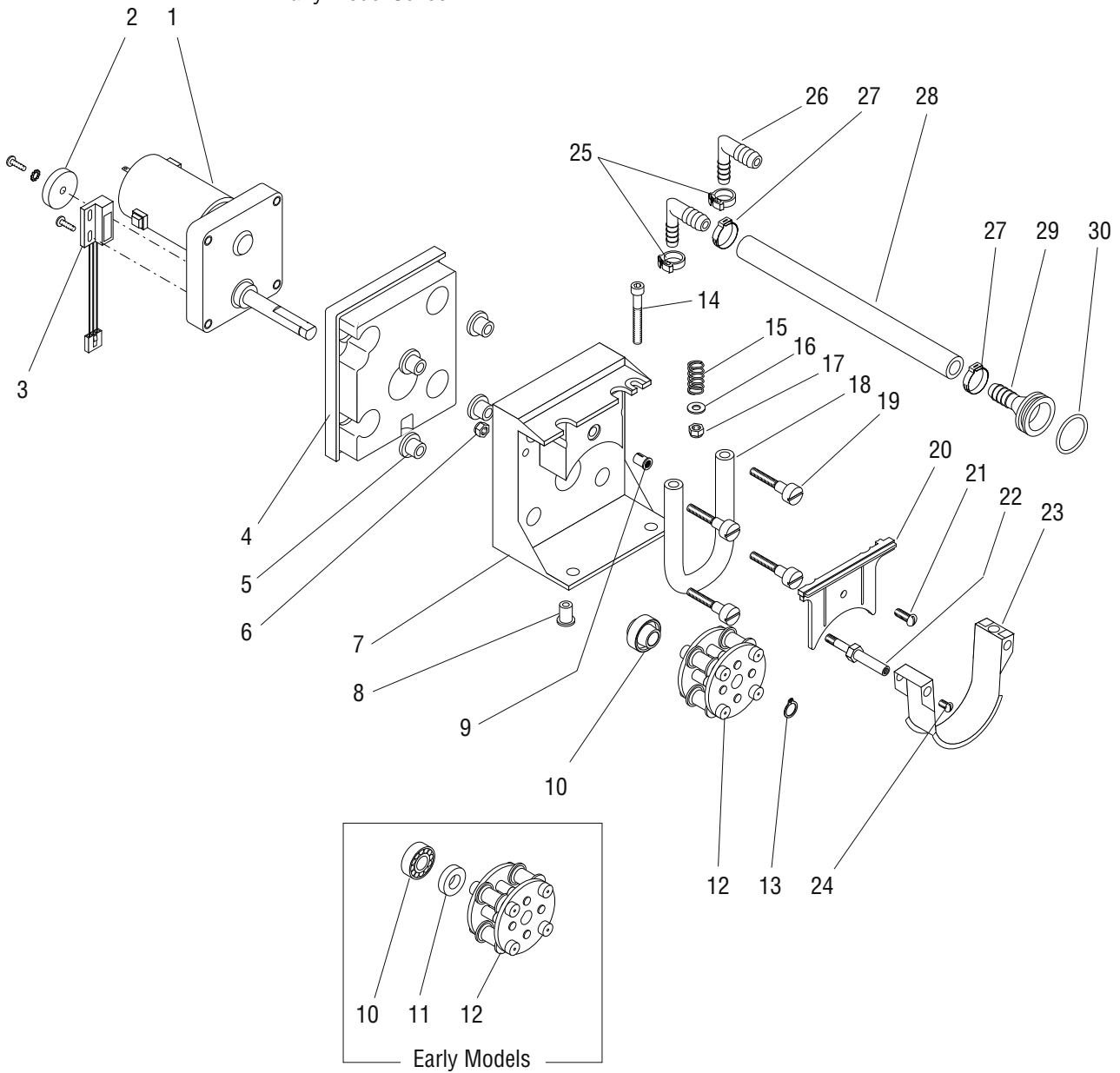
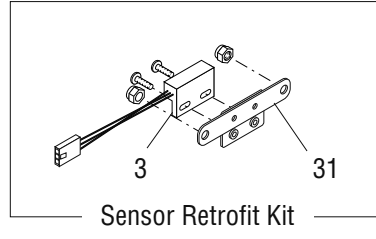
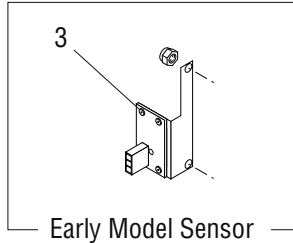


PUMP ASSEMBLY

ITEM	PART NO.	QTY.	DESCRIPTION
-	32711.0000	1	Pump Assy (Includes items 1 - 30)
1	-----	1	Motor Assy (Early models, order Late model Motor)
	-----	1	Motor Assy (Late models. Refer to item 37)
2	32654.0000	1	Magnet Hub
	01512.0000	1	Lockwasher, Internal-tooth #10
	01326.0004	1	Screw, Locking #10-32 x .437"
3	-----	1	Sensor, RPM
	00971.0000	2	Nut, Keps #10-32
	33608.0000	1	Sensor, RPM
	02336.0000	2	Screw #4-40 x .38"
			} Early models, order item 36
			} Late models
4	33165.0000	1	Gasket
5	32957.0000	4	Bushing
6	00991.0003	1	Nut, Elastic Lock #10-32
7	32367.1000	1	Mount Assy, Pump (Includes items 8,9 & 10)
8	29904.0000	1	Insert, Well Nut #8-32
9	-----	1	Insert, Threaded #10-32
10	-----	1	Bearing (Early Models)
	33825.0000	1	Bearing, Sleeve (Late Models)
11	-----	1	Spacer (Early Models)(Order item 10)
12	32706.1000	1	Rotor
13	32652.0000	1	Retaining Ring
14	33295.0000	1	Screw, Socket Head #10-32 x 1.75"
15	23918.0001	1	Spring
16	01522.0000	1	Washer
17	00991.0003	1	Nut, Elastic Lock #10-32
18	-----	1	Tube, Neoprene .25" ID x .45" OD x 9.50" (Order item 34 & 35)
19	32927.0000	4	Bolt, Shoulder #10-32
20	32914.0000	1	Retainer
21	01331.0000	1	Screw #10-32 x .50"
22	32609.0000	1	Standoff, Pump Band
23	32239.0000	1	Compression Band
24	01311.0001	1	Screw, Locking #8-32 x .25"
25	32732.0000	2	Clamp
26	32656.0000	2	Fitting, Elbow

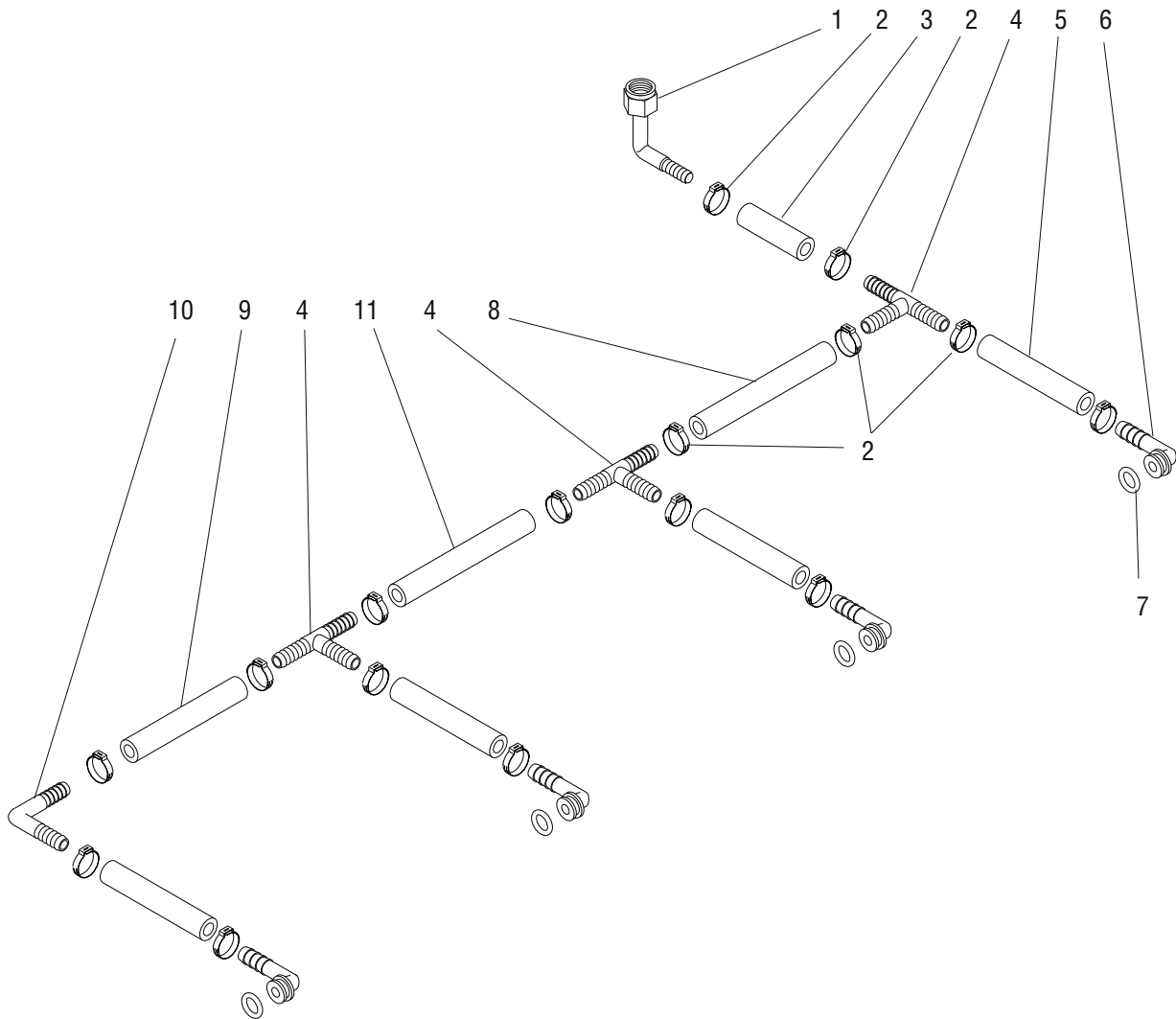
(Continued)

(Continued)



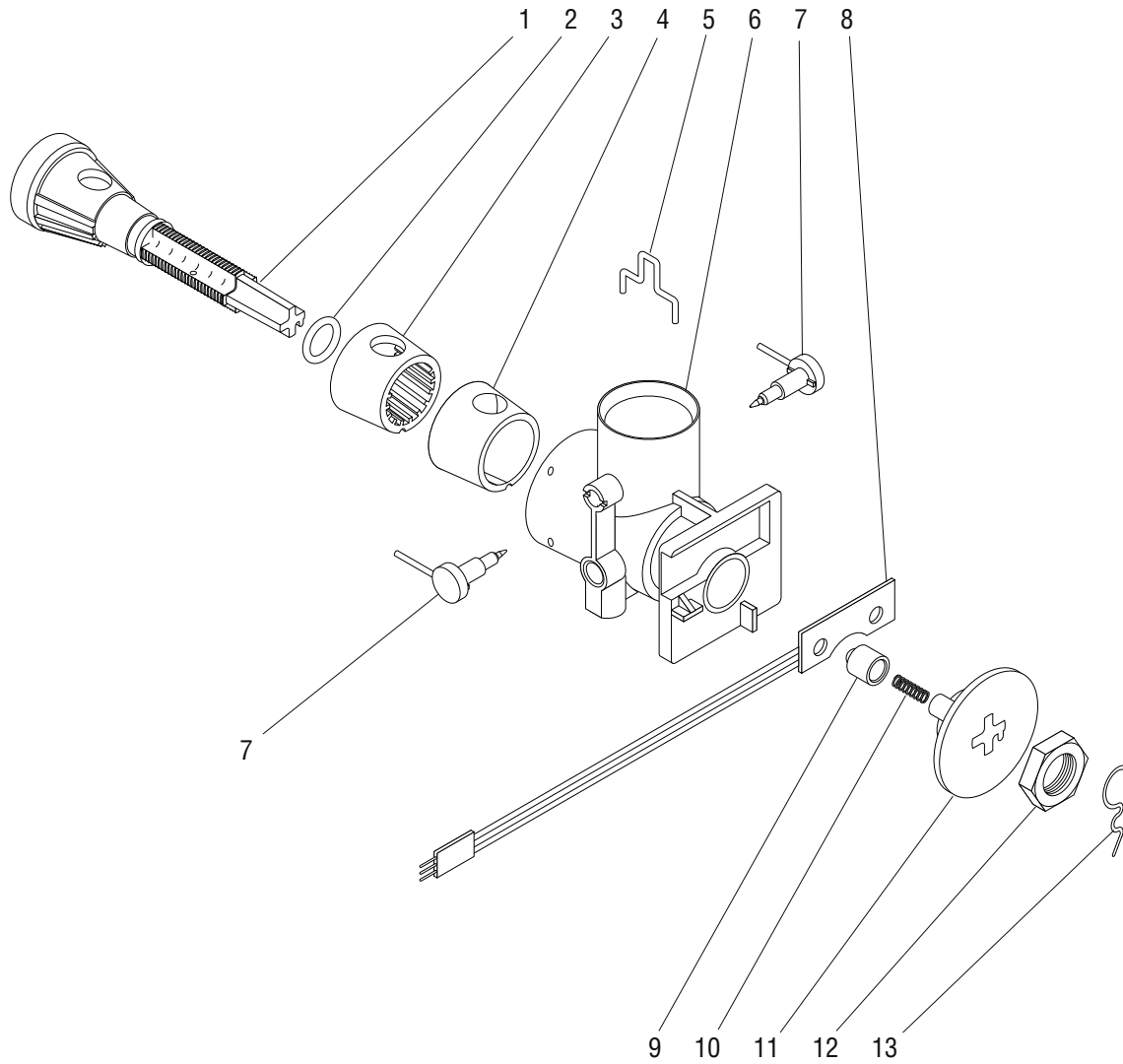
PUMP ASSEMBLY

ITEM	PART NO.	QTY.	DESCRIPTION
27	21275.0003	2	Clamp .59 - .66"
28	-----	1	Hose .38" ID x .595" OD x 7.25" (Order item 33)
29	32454.0000	1	Fitting, Bottle Adapter
30	34087.0000	1	O-ring (Also use item 32)
31	33748.0000	1	Bracket, Sensor Mounting
	00971.0000	2	Nut, Keps #10-32
32	M2568.0000	-	Lubricant (Use when installing item 30)
33	32759.1002	-	Hose .38" ID x .595" OD x 120.0" (Use as required)
34	28755.1000	-	Tube, Neoprene .25" ID x .45" OD x 12.0" (Use as required)
	28755.1001	-	Tube, Neoprene .25" ID x .45" OD x 36.0" (Use as required)
	28755.1002	-	Tube, Neoprene .25" ID x .45" OD x 60.0" (Use as required)
35	M2548.1000	-	Grease, Krytox .50 oz. (Apply to outside of tube only. Use as required)
36	33743.0000	-	Sensor Retrofit Kit (Includes items 3 & 31)(For mounting late model sensor to early model motor)
37	33744.0000	-	Motor Replacement Kit (Includes items 1,2 3 and mounting hardware)



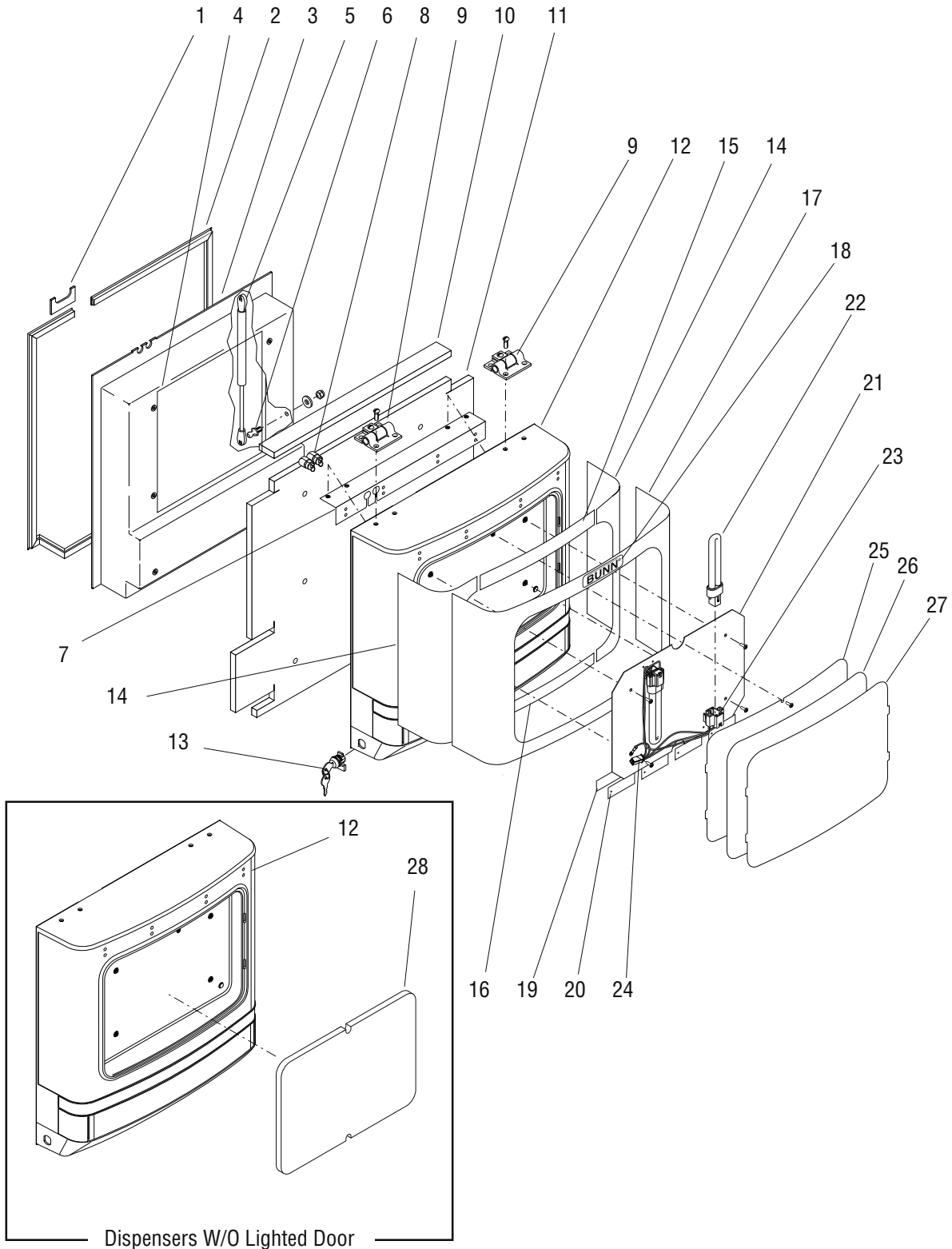
RINSE WATER MANIFOLD

ITEM	PART NO.	QTY.	DESCRIPTION
1	33151.0001	1	Fitting, Elbow
2	21275.0001	16	Clamp .43 - .48"
3	-----	1	Hose .25" ID x .44" OD x 1.50" (Order item 12)
4	32760.0000	3	Tee
5	-----	4	Hose .25" ID x .44" OD x 2.50" (Order item 12)
6	32463.0000	4	Fitting, Elbow
7	32849.0001	4	O-ring
8	-----	1	Hose .25" ID x .44" OD x 3.25" (Order item 12)
9	-----	1	Hose .25" ID x .44" OD x 2.75" (Order item 12)
10	32761.0000	1	Elbow
11	-----	1	Hose .25" ID x .44" OD x 3.25" (Order item 12)(First type; models with 4 same size flavor bottles)
	-----	1	Hose .25" ID x .44" OD x 2.25" (Order item 12)(Second type; models with 2 large & 2 small flavor bottles)
12	32745.1002	-	Hose .25" ID x .44" OD x 120.0" (Use as required)



BOTTLE ADAPTER ASSEMBLY

ITEM	PART NO.	QTY.	DESCRIPTION
-	32756.0000	1	Adapter Assy, Bottle (Includes items 1 - 23)
1	32456.0000	1	Spool
2	12774.0001	1	O-ring
3	32625.0000	1	Seal, Rotary
4	33515.0000	1	Boot, Teflon (Also order item 14)
5	-----	1	Opener (Order item 6)
6	32453.1000	1	Body Assy. (Includes items 5 & 7)
7	-----	2	Probe (Order item 6)
8	33039.0000	1	Switch, Membrane
9	32663.0000	1	Detent, Membrane Switch
10	33042.0000	1	Spring
11	32469.0000	1	Plate, Detent
12	00942.0002	1	Nut, Brass w/Tin Plate .50-20"
13	21358.0000	1	Clip, Retainer
14	M2568.0000	-	Grease, USDA H-1 (Use when installing item 4)



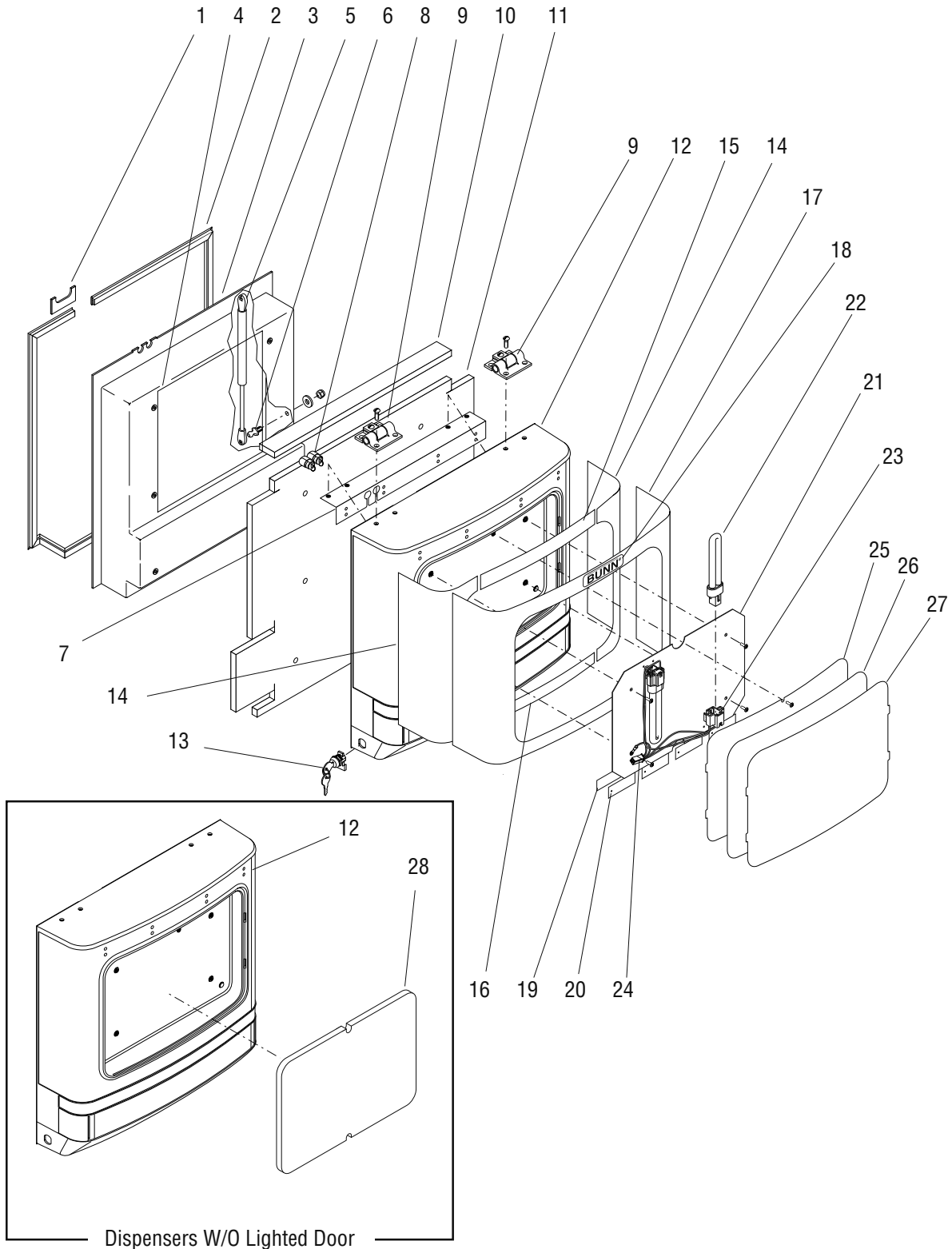
DOOR ASSEMBLY

ITEM	PART NO.	QTY.	DESCRIPTION
-	33103.1000		Door Assy, Push Button, Lited (Includes items 1 - 27 and Membrane Switch)
-	33103.1001		Door Assy, Portion Control, Lited (Includes items 1 - 27 and Membrane Switch)
-	33103.1002		Door Assy, Push Button, Unlited (Includes items 1 - 20, 25 - 28, and Membrane Switch)
-	33103.1003		Door Assy, Portion Control, Unlited (Includes items 1 - 20, 25 - 28, and Membrane Switch)
1	32620.0001	1	Gasket
2	32620.0000	1	Gasket
3	32619.1000	1	Panel, Inside (Includes item 4, 10 & 11)
	24544.0000	6	Screw #8-18
4	33463.0000	1	Decal, Brixing & Cleaning
5	33111.0000	1	Gas Spring
6	33108.0000	1	Stud, Ball
	21365.0000	1	Washer
	00987.0000	1	Nut, Elastic Lock .312"-18
7	32633.0000	1	Angle, Hinge
	24544.0000	8	Screw #8-18
8	00707.0001	2	Bushing, Strain Relief
9	32812.0000	2	Hinge
	33045.0000	8	Screw, BLK .25"-20 x .75"
10	33719.0001	1	Insulation, Top (Refer to item 3)
11	33719.0000	1	Insulation (Refer to item 3)
12	32618.1000	1	Cover, Front (Includes items 14 thru 19)
13	32863.0000	1	Keylock w/Keys
14	-----	2	Pad, Adhesive (Order item 12)
15	-----	1	Pad, Adhesive (Order item 12)
16	-----	1	Pad, Adhesive (Order item 12)
17	-----	1	Cover (Order item 12)
18	33597.0000	1	Decal "BUNN"
19	-----	4	Strip, Flavor (Order item 12)
20	33704.0001	4	Flavor Strips
21	32581.0000	1	Panel, Reflector
	24544.0000	4	Screw #8-18
22	32806.0000	2	Lamp
23	32807.0001	2	Holder, Lamp
24	33208.0000	1	Wiring Harness
25	32813.0000	1	Lens, Fixed
26	-----	1	Graphics, Merchandiser (Not serviced)

} Dispensers with lighted door only

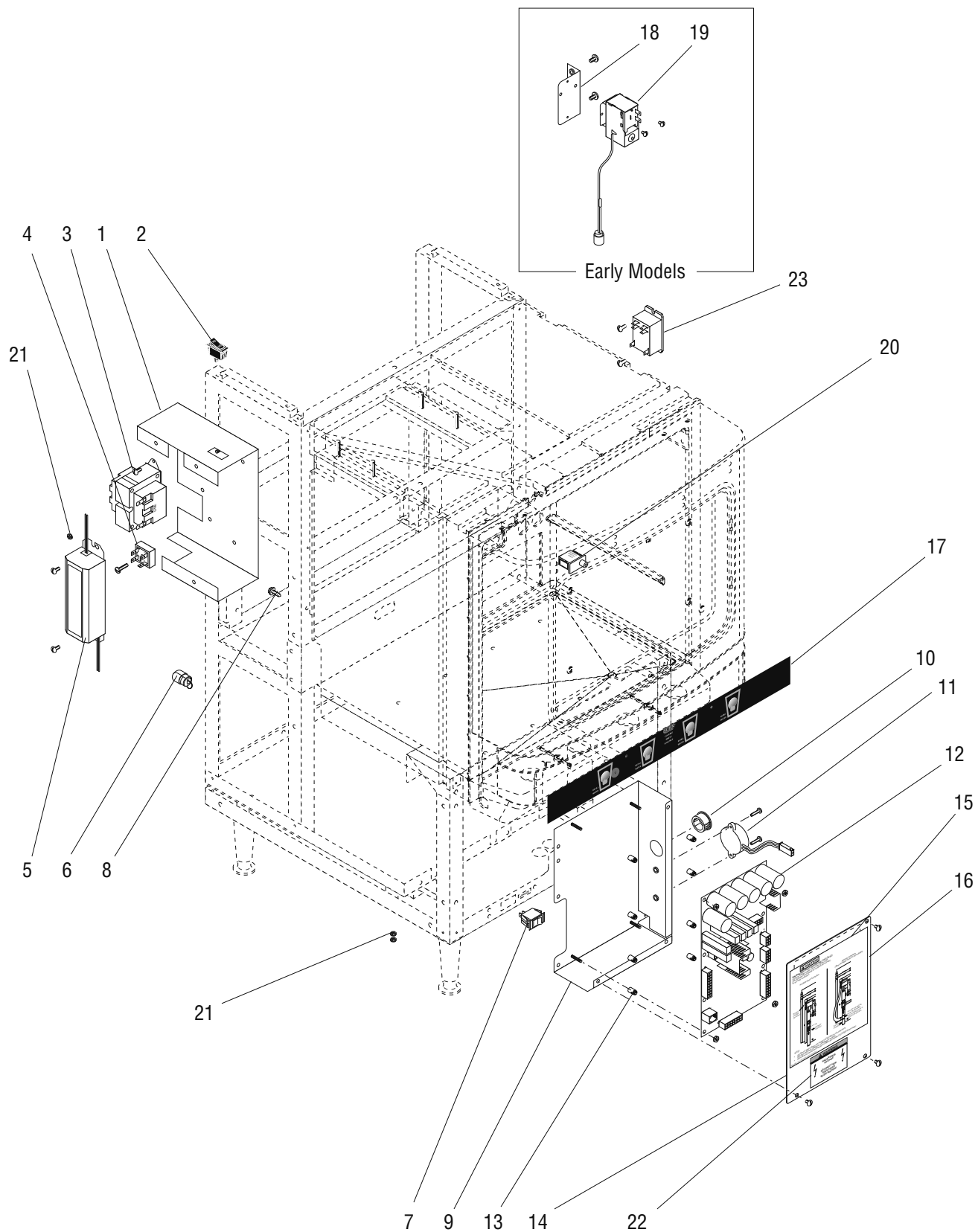
(Continued)

(Continued)



DOOR ASSEMBLY

ITEM	PART NO.	QTY.	DESCRIPTION	
27	32814.0000	1	Lens, Removable	
28	33993.0000	1	Foam, Insulation (Dispensers without lighted door)	
29	32808.0000	1	Wiring Harness, Door Light	} Not Illustrated
30	33046.0000	1	Wiring Harness, Touch Pad	
31	32861.0000	1	Decal, Flavors	

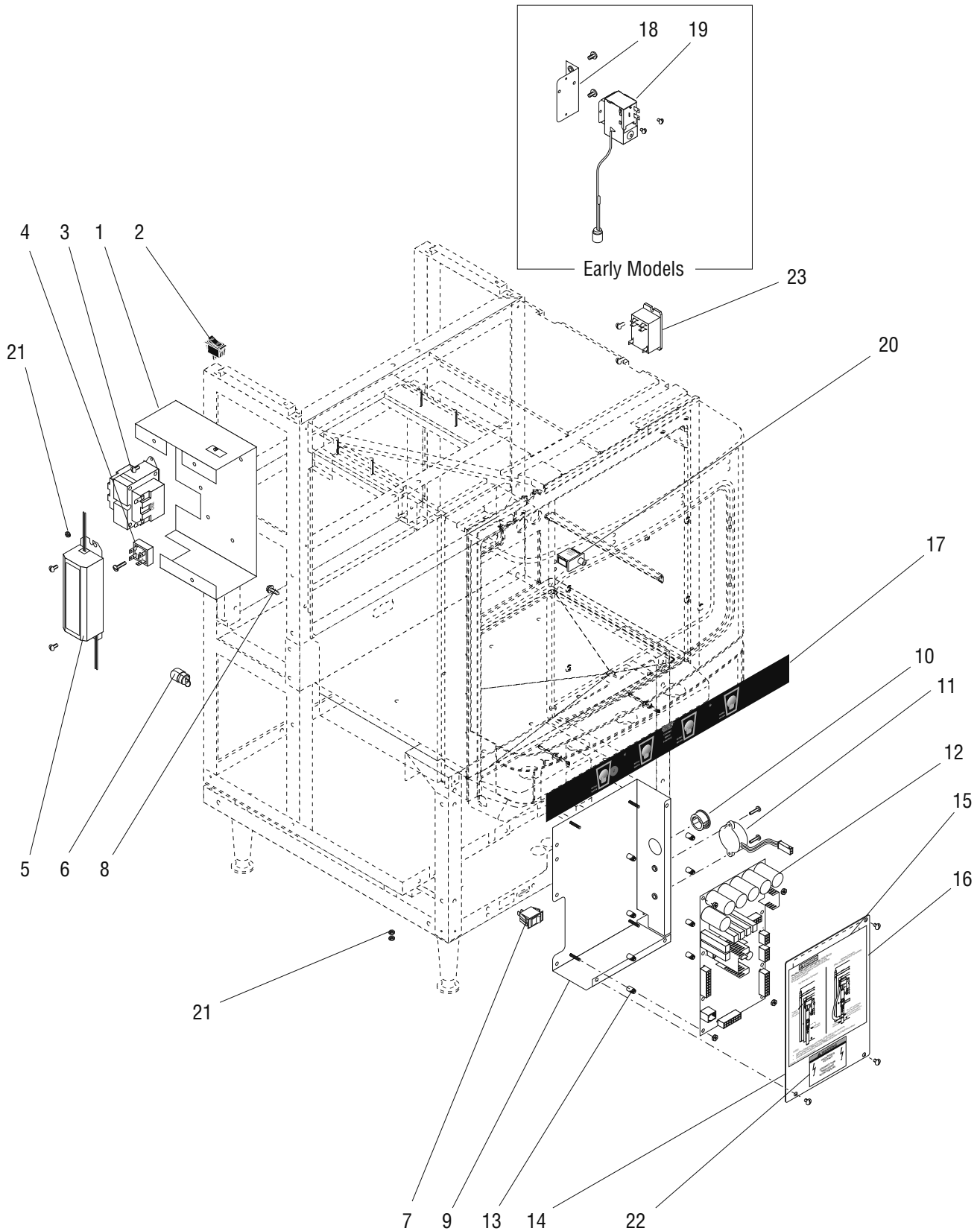


ELECTRICAL COMPONENTS

ITEM	PART NO.	QTY.	DESCRIPTION	
1	32491.0000	1	Bracket	
	01315.0000	3	Screw #8-32 x .38"	
2	04786.0003	1	Switch, Refrigeration ON/OFF	
3	32824.0001	1	Transformer	
	01315.0000	2	Screw #8-32 x .38"	
4	22126.0000	1	Rectifier	
	01370.0000	1	Screw #8-32 x .75"	
5	33261.0000	1	Ballast (Dispensers with lighted door only)	
	01315.0000	2	Screw #8-32 x .38"	
6	00707.0000	1	Bushing, Strain Relief	
7	01063.0000	1	Switch, Sanitize	
8	01309.0000	1	Screw, Grounding	
9	32585.0000	1	Bracket	
	01311.0000	3	Screw #8-32 x .25"	
10	01592.0000	1	Bushing	
11	33147.0000	1	Indicator, Audio	
	01382.0000	2	Screw #6-32 x .38"	
12	32673.0001	1	PC Board	
	00973.0000	4	Nut, Keps #6-32	
13	29081.0000	8	Spacer	
14	33145.1000	1	Cover Assy (Includes items 15, 16 & 22)	
	01311.0000	3	Screw #8-32 x .25"	
15	33647.0000	1	Decal, Dip Switch	
16	33648.0000	1	Decal, Plumbing	
17	32660.0000	1	Switch, Membrane (Push Button models)	
	32661.0000	1	Switch, Membrane (Portion Control models)	
18	32866.0000	1	Bracket	} Early Models
	02331.0000	2	Screw #10-32 x .38"	
19	32826.0000	1	Ice Bank Control	} Early Models
	01308.0002	2	Screw, Locking #6-32 x .25"	
20	32841.0000	1	Switch, Door Open	
21	00970.0000	3	Nut, Grounding	
22	12559.0003	1	Decal, Warning - Hazardous Voltage	
23	25948.0000	1	Relay	
	01315.0000	2	Screw, Truss Head #8-32 x .38" (Late Models)	

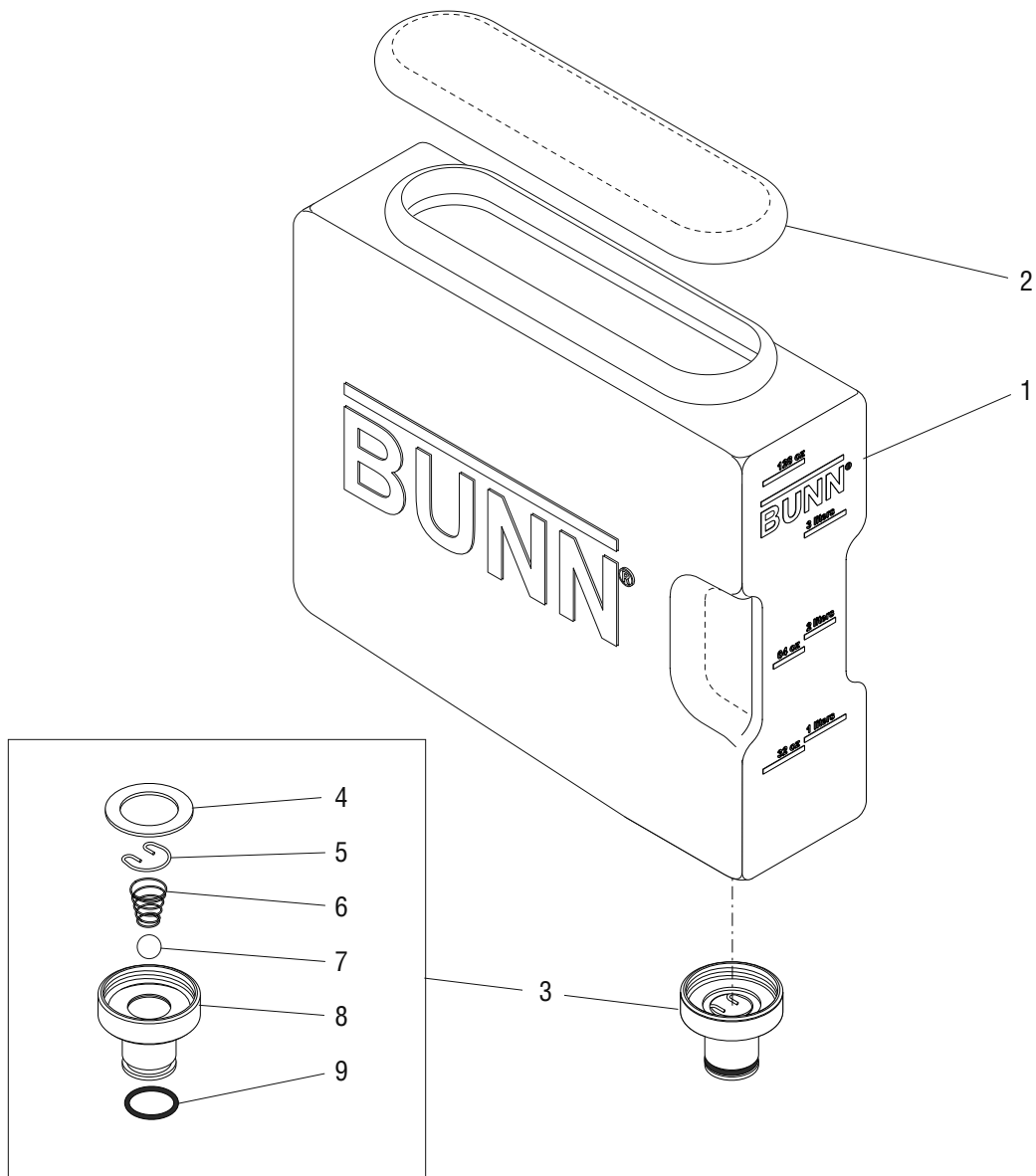
(Continued)

(Continued)



ELECTRICAL COMPONENTS

ITEM	PART NO.	QTY.	DESCRIPTION
The following items are not illustrated:			
24	20630.0007	1	Power Cord
25	33096.0001	1	Wiring Harness, Main
26	33101.0000	1	Wiring Harness, Compressor
27	33547.0000	1	Wiring Harness, Water Bath
28	33115.0000	1	Wiring Harness, Cabinet Fan
29	00617.0000	-	Wire Tie (Use as required)



REFILLABLE CONTAINER ASSEMBLY

ITEM	PART NO.	QTY.	DESCRIPTION
-	33931.0000	1	Container Assy (Includes items 1-9)
1	32167.0000	1	Container w/Lid (Includes item 2)
2	-----	1	Lid (Order item 1)
3	33953.0000	1	Fitting Assy (Includes items 4-9)
4	32165.0000	1	Gasket
5	32166.0000	1	Retaining Clip
6	32877.0000	1	Spring
7	00598.0002	1	Ball
8	32168.0000	1	Fitting
9	33725.0001	1	O-ring

NUMERICAL INDEX

PART NO.	PAGE NO.	PART NO.	PAGE NO.	PART NO.	PAGE NO.	PART NO.	PAGE NO.
00402.0001	15	02536.0000	11	29081.0000	45	32603.0000	29
00403.0002	15	02645.1000	11	29327.0000	11	32609.0000	33
00406.0001	25	03996.0000	5	29819.1000	5	32616.1000	11
00425.0000	31	04623.0001	25	29828.0000	5	32618.1000	41
00441.0000	17	04786.0003	45	29904.0000	33	32619.1000	41
00442.0001	17	11707.1000	17,27	29985.0000	11	32620.0000	41
00456.0001	25	11707.1001	17	29988.0000	11	32620.0001	41
00464.0001	25	11707.1002	17	29988.0001	11	32621.0000	7
00510.0001	17	12155.0003	15	29988.0002	11	32622.0000	29
00510.0002	17	12422.0005	13	32009.1000	5	32623.0000	29
00598.0002	49	12559.0003	45	32147.1000	7	32624.0000	29
00617.0000	11,47	12570.0000	11	32155.0000	19	32625.0000	39
00619.0000	9	12774.0001	39	32165.0000	49	32631.0000	31
00656.0000	15	13255.0003	5	32166.0000	49	32633.0000	41
00668.0000	5	20201.4300	15	32167.0000	49	32635.0000	5
00707.0000	45	20203.0100	11	32168.0000	49	32652.0000	33
00707.0001	41	20630.0007	47	32203.0000	19	32654.0000	33
00908.0000	11	20976.1000	13	32204.0000	21	32655.0000	29
00927.0000	19	20976.1001	13	32211.0000	19	32656.0000	11,33
00929.0001	25	20976.1002	13	32239.0000	33	32660.0000	45
00942.0002	39	21195.0001	17	32252.0000	29	32661.0000	45
00970.0000	45	21275.0000	31	32360.0001	15	32663.0000	39
00971.0000	33,35	21275.0001	11,17,31,37	32367.1000	33	32673.0001	45
00973.0000	45	21275.0003	9,13,15,25	32369.0000	7	32706.1000	33
00986.0002	5	21275.0003	29,35	32378.0000	11	32711.0000	33
00987.0000	41	21358.0000	39	32443.0000	7	32732.0000	33
00991.0000	27	21365.0000	41	32444.0000	11	32734.0000	11
00991.0003	33	21431.0003	19	32446.1000	7	32734.0001	11
01063.0000	45	21634.0002	25	32446.1001	7	32736.1000	25
01085.0002	15	22126.0000	45	32448.1000	7	32745.1002	17,31,37
01111.0002	15,25,29	22397.0001	25	32450.0000	5	32749.0000	31
01308.0000	29	23700.0000	19	32453.1000	39	32750.0000	31
01308.0002	25,45	23720.1000	11	32454.0000	35	32751.0000	31
01309.0000	45	23721.0000	11	32455.0000	9	32753.0000	31
01311.0000	15,19,45	23723.0000	11	32456.0000	39	32755.0000	29
01311.0001	25,33	23918.0001	33	32458.0000	27	32756.0000	39
01315.0000	5,7,45	24374.0000	13	32461.0000	7	32757.0000	25
01317.0000	11	24544.0000	7,41	32463.0000	37	32759.1002	9,17,27
01326.0002	25	25948.0000	45	32467.1000	7	32759.1002	29,31,35
01326.0004	5,7,13,33	26528.0000	5	32469.0000	39	32760.0000	37
01327.0000	15	27243.0000	21	32474.0000	5	32761.0000	37
01331.0000	33	27246.0000	9	32477.0000	5	32762.0000	25
01338.0000	27	27257.0000	21	32479.0000	5	32763.0000	7
01345.0000	7	27258.0000	21	32481.1000	5	32776.0001	19
01370.0000	45	27354.0000	5	32489.1000	5	32777.0000	19
01382.0000	7,45	27394.0000	7	32491.0000	45	32778.0000	23
01501.0000	11	27410.0000	15	32539.0000	25	32805.0000	7
01512.0000	33	27442.0000	5	32581.0000	41	32806.0000	41
01522.0000	27,33	28479.0000	15	32583.0000	11	32807.0001	41
01592.0000	45	28480.0000	15	32585.0000	45	32808.0000	43
01663.0000	7	28481.0000	15,25,29	32587.0001	15	32812.0000	41
02331.0000	45	28567.0000	19	32590.0000	15	32813.0000	41
02331.0001	5	28755.1000	35	32594.0000	7	32814.0000	43
02332.0002	19,21	28755.1001	35	32599.0000	7	32824.0001	45
02336.0000	33	28755.1002	35	32602.0000	29	32826.0000	45

NUMERICAL INDEX

PART NO.	PAGE NO.	PART NO.	PAGE NO.	PART NO.	PAGE NO.	PART NO.	PAGE NO.
32837.1000	11	33150.0000	9,11,17	33603.0000	21		
32841.0000	45	33151.0000	17,31	33608.0000	33		
32846.0000	27	33151.0001	15,37	33623.0000	13		
32848.0000	7	33151.0002	15	33645.0000	15		
32849.0001	9,29,31,37	33152.0000	15	33646.0000	15		
32851.0000	29	33153.0000	17	33647.0000	45		
32852.0000	29	33155.0000	29	33648.0000	45		
32853.0000	29	33156.0000	5	33685.0000	13		
32855.0000	29	33165.0000	33	33686.0000	9,11,17		
32856.0000	29	33172.0000	7	33704.0001	41		
32857.0000	25	33180.0000	27	33707.0000	13		
32858.0000	7	33208.0000	41	33719.0000	41		
32860.0000	25,27,29	33217.0000	5	33719.0001	41		
32861.0000	43	33224.0000	11	33725.0000	29		
32863.0000	41	33261.0000	45	33725.0001	49		
32866.0000	45	33263.0000	13	33743.0000	35		
32877.0000	49	33283.0000	5	33744.0000	35		
32914.0000	33	33295.0000	33	33748.0000	35		
32927.0000	33	33297.0000	7	33754.0000	23		
32948.1000	9	33299.0000	13,25	33755.0000	23		
32951.0000	25	33323.1000	11	33756.0000	23		
32957.0000	33	33225.1000	11	33757.0000	23		
32957.0001	25	33226.1000	11	33758.0000	23		
32974.0001	15	33328.0000	13	33759.0000	23		
33039.0000	39	33457.0000	9	33762.0000	23		
33042.0000	39	33458.0000	5	33774.0000	27		
33045.0000	41	33459.0000	7	33801.0000	11		
33046.0000	43	33459.0001	7	33825.0000	33		
33048.1000	5	33459.0002	7	33931.0000	49		
33050.0000	11	33460.0000	5	33953.0000	49		
33052.0000	7	33461.0000	5	33993.0000	43		
33053.0000	7	33462.0000	17	34087.0000	35		
33067.0001	13	33462.0001	15	M2548.1000	35		
33068.0000	13	33462.0002	9	M2568.0000	9,29,35,39		
33096.0001	47	33462.0003	9				
33101.0000	47	33462.0004	9				
33102.0001	19	33463.0000	41				
33103.1000	41	33465.0000	5				
33103.1001	41	33466.0000	15				
33103.1002	41	33467.0000	17				
33103.1003	41	33499.0000	13				
33104.0001	19	33508.0000	27				
33105.0000	19	33511.0000	9				
33108.0000	41	33515.0000	39				
33111.0000	41	33516.0000	7				
33112.0001	19	33547.0000	47				
33113.0000	15	33553.0000	29				
33114.0000	17	33554.0000	29				
33115.0000	47	33580.0000	29				
33140.0001	27	33582.0000	25				
33145.1000	45	33585.0000	29				
33147.0000	45	33587.0000	25				
33148.0000	25	33597.0000	41				
33149.0000	11,17	33601.0000	21				
33149.0001	13,15,25,27	33602.0000	21				