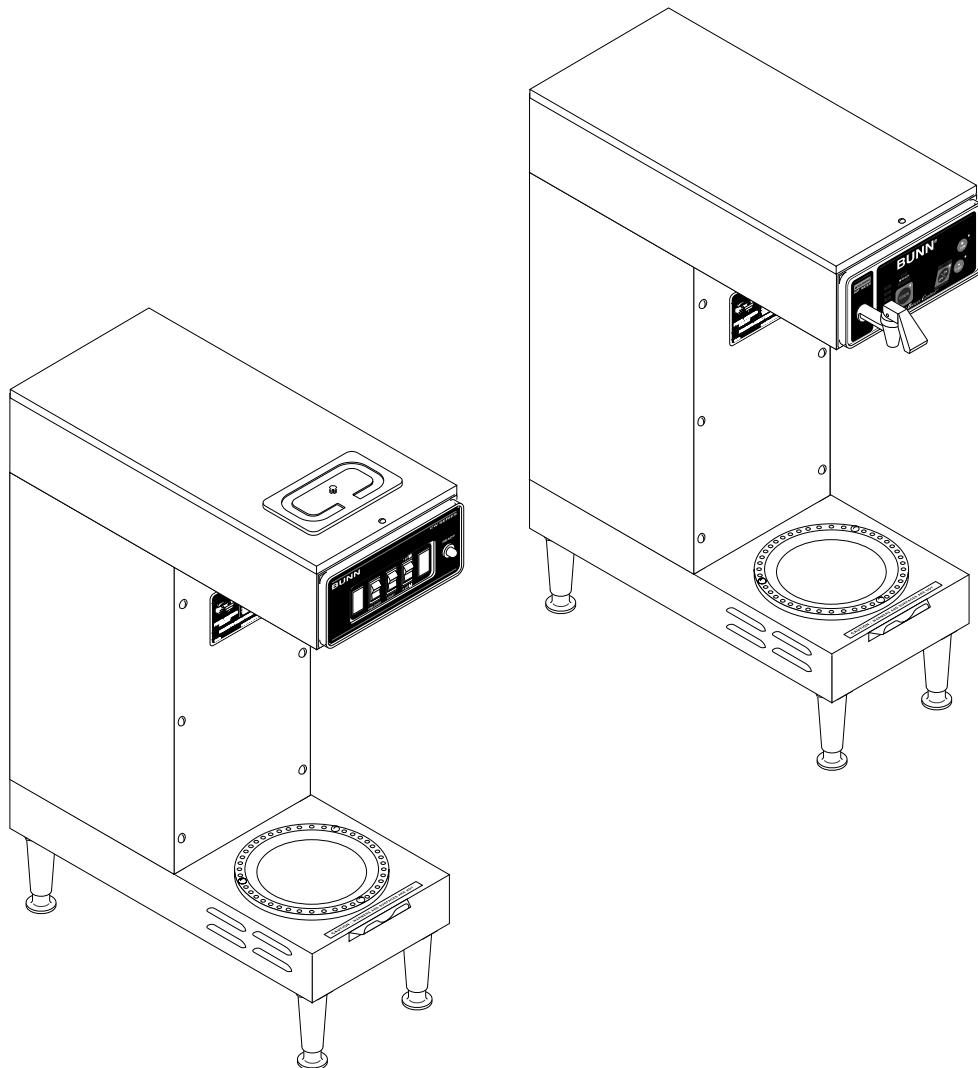


BUNN®

***SINGLE CD,
SINGLE CDF,
SINGLE CW,
SINGLE CWTF***



ILLUSTRATED PARTS CATALOG

Designs, materials, weights, specifications, and dimensions for equipment or replacement parts are subject to change without notice.

BUNN-O-MATIC CORPORATION

POST OFFICE BOX 3227

SPRINGFIELD, ILLINOIS 62708-3227

PHONE: (217) 529-6601 FAX: (217) 529-6644

BUNN-O-MATIC COMMERCIAL PRODUCT WARRANTY

Bunn-O-Matic Corp. ("BUNN") warrants equipment manufactured by it as follows:

- 1) All equipment other than as specified below: 2 years parts and 1 year labor.
- 2) Electronic circuit and/or control boards: parts and labor for 3 years.
- 3) Compressors on refrigeration equipment: 5 years parts and 1 year labor.
- 4) Grinding burrs on coffee grinding equipment to grind coffee to meet original factory screen sieve analysis: parts and labor for 3 years or 30,000 pounds of coffee, whichever comes first.

These warranty periods run from the date of installation BUNN warrants that the equipment manufactured by it will be commercially free of defects in material and workmanship existing at the time of manufacture and appearing within the applicable warranty period. This warranty does not apply to any equipment, component or part that was not manufactured by BUNN or that, in BUNN's judgment, has been affected by misuse, neglect, alteration, improper installation or operation, improper maintenance or repair, damage or casualty. This warranty is conditioned on the Buyer 1) giving BUNN prompt notice of any claim to be made under this warranty by telephone at (217) 529-6601 or by writing to Post Office Box 3227, Springfield, Illinois 62708-3227; 2) if requested by BUNN, shipping the defective equipment prepaid to an authorized BUNN service location; and 3) receiving prior authorization from BUNN that the defective equipment is under warranty.

THE FOREGOING WARRANTY IS EXCLUSIVE AND IS IN LIEU OF ANY OTHER WARRANTY, WRITTEN OR ORAL, EXPRESS OR IMPLIED, INCLUDING, BUT NOT LIMITED TO, ANY IMPLIED WARRANTY OF EITHER MERCHANTABILITY OR FITNESS FOR A PARTICULAR PURPOSE. The agents, dealers or employees of BUNN are not authorized to make modifications to this warranty or to make additional warranties that are binding on BUNN. Accordingly, statements by such individuals, whether oral or written, do not constitute warranties and should not be relied upon.

If BUNN determines in its sole discretion that the equipment does not conform to the warranty, BUNN, at its exclusive option while the equipment is under warranty, shall either 1) provide at no charge replacement parts and/or labor (during the applicable parts and labor warranty periods specified above) to repair the defective components, provided that this repair is done by a BUNN Authorized Service Representative; or 2) shall replace the equipment or refund the purchase price for the equipment.

THE BUYER'S REMEDY AGAINST BUNN FOR THE BREACH OF ANY OBLIGATION ARISING OUT OF THE SALE OF THIS EQUIPMENT, WHETHER DERIVED FROM WARRANTY OR OTHERWISE, SHALL BE LIMITED, AT BUNN'S SOLE OPTION AS SPECIFIED HEREIN, TO REPAIR, REPLACEMENT OR REFUND.

In no event shall BUNN be liable for any other damage or loss, including, but not limited to, lost profits, lost sales, loss of use of equipment, claims of Buyer's customers, cost of capital, cost of down time, cost of substitute equipment, facilities or services, or any other special, incidental or consequential damages.

TABLE OF CONTENTS

SINGLE CD & CW COMPONENTS

HOUSING AND COVERS	4
WARMER ASSEMBLY	6
FUNNELS	8

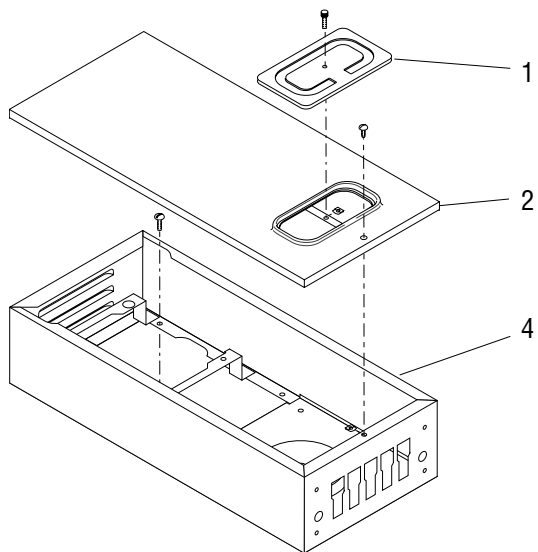
SINGLE CD COMPONENTS

TANK AND COMPONENTS (SINGLE CD)	10
DISPENSE VALVE, TUBES AND SPRAYHEAD (SINGLE CD)	12
SOLENOID VALVE AND LINES (SINGLE CD)	14
FAUCET AND LINES (SINGLE CD)	16
ELECTRICAL AND OPERATING CONTROLS (SINGLE CD)	18

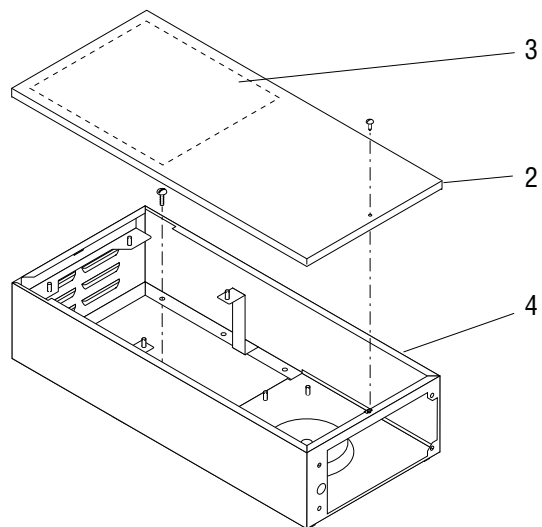
SINGLE CW COMPONENTS

FILL BASIN (SINGLE CW)	20
TANK AND COMPONENTS (SINGLE CW)	22
STRAINER-FLOW CONTROL, SOLENOID & LINES (SINGLE CW).....	24
FAUCET AND LINES (SINGLE CW)	26
ELECTRICAL AND OPERATING CONTROLS (SINGLE CW)	28

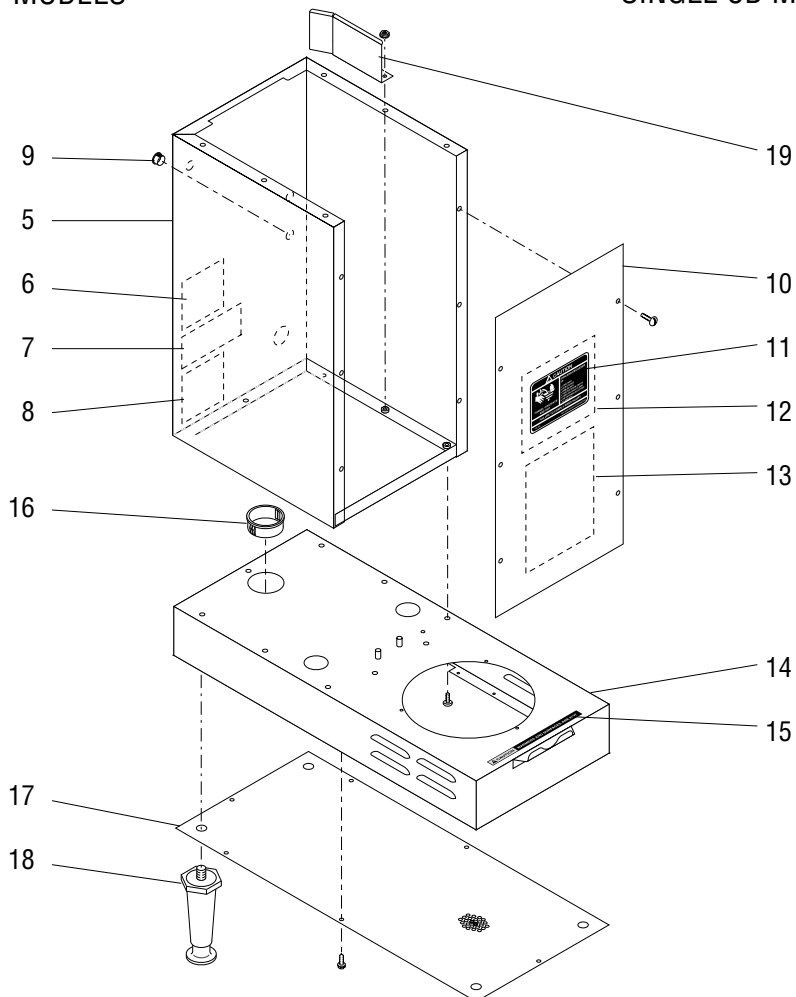
NUMERICAL INDEX	30
-----------------------	----



SINGLE CW MODELS

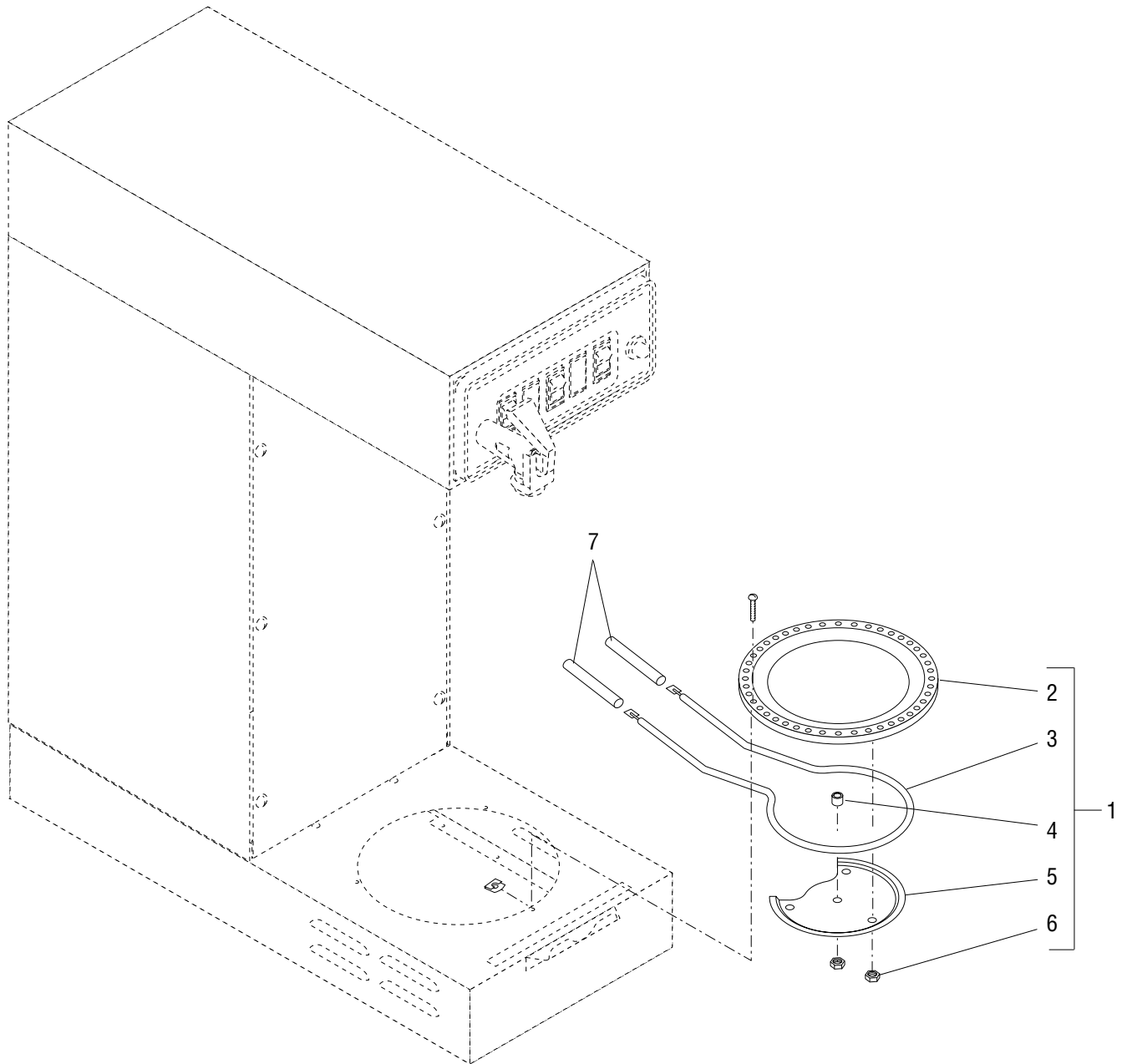


SINGLE CD MODELS



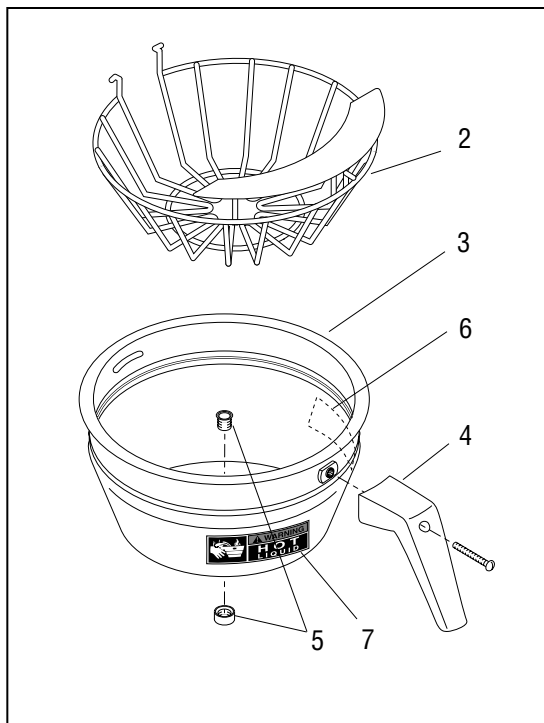
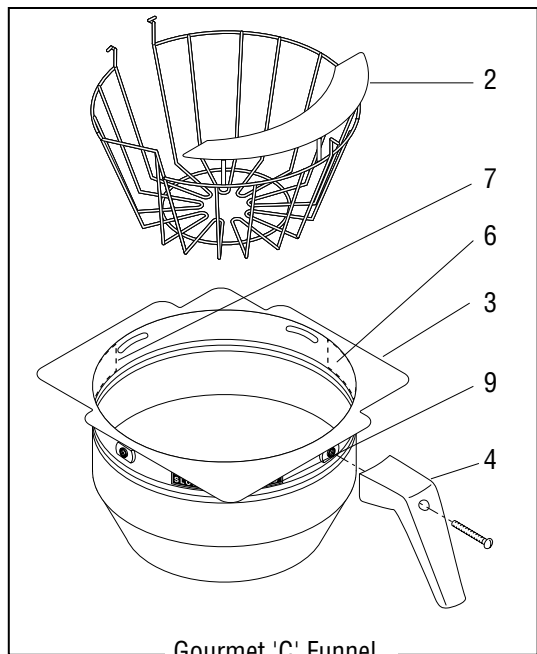
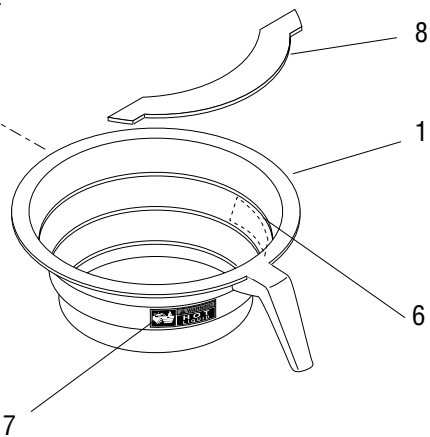
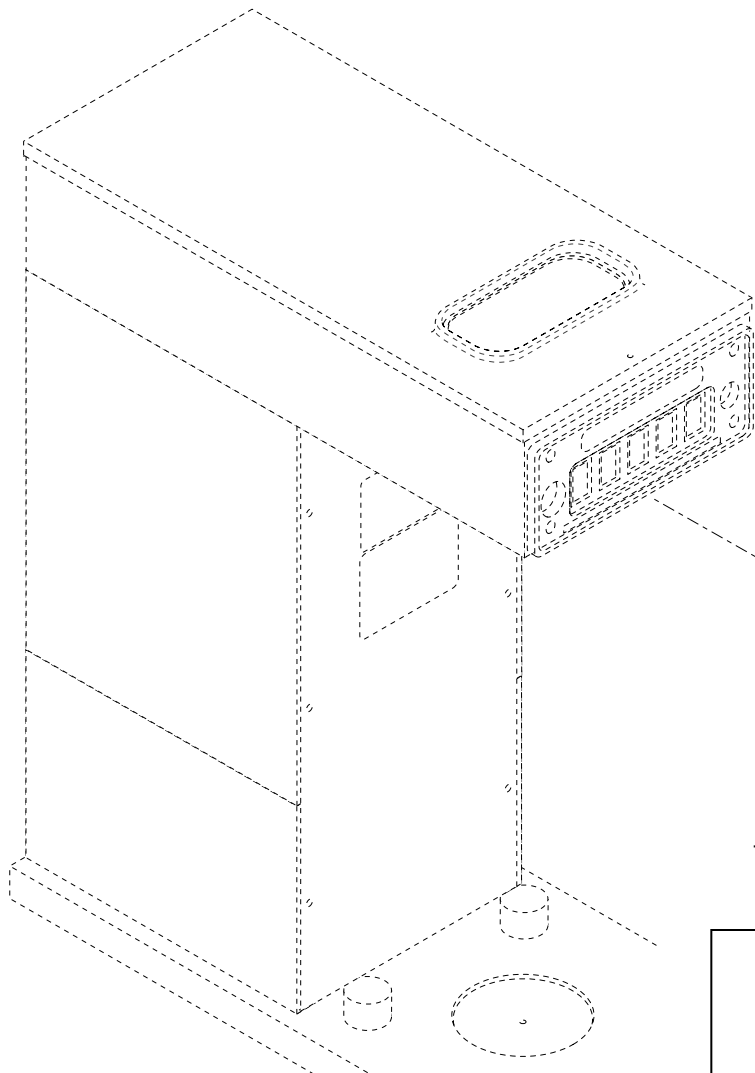
HOUSINGS AND COVERS

ITEM	PART NO.	QTY.	DESCRIPTION
1	02722.0000	1	Lid, Pour-in
	01319.0000	1	Screw, Thumb #8-32 x .75"
	00912.0000	1	Fastener, J-Type #8-32
			} SINGLE CW models only
2	34070.0001	1	Cover, Top (SINGLE CD models) (also order item 3)
	12953.1001	1	Cover, Top (SINGLE CW models)
	01303.0000	1	Screw #4-40 x .50"
	00916.0000	1	Fastener, "J" Type #4-40
3	29206.0000	1	Decal, Diagnostic (SINGLE CD models only)
4	34063.0000	1	Housing, Hood (SINGLE CD models)
	13350.0006	1	Housing, Hood (SINGLE CW models)
	02308.0000	6	Screw #8-32 x .375"
5	34061.1002	1	Housing, Trunk w/Decals (SINGLE CD models) (Includes items 7 thru 9)
	34061.1003	1	Housing, Trunk w/Decals (SINGLE CW models) (Includes items 6 thru 8)
	02308.0000	7	Screw #8-32 x .375"
6	26225.0000	1	Decal, Strainer/Flow Control (SINGLE CW models only)
7	00656.0000	1	Decal, Compliance To Plumbing Code
8	00986.0000	1	Decal, Warning-Electrical (SINGLE CD models)
	00831.0000	1	Decal, Warning-Electrical (SINGLE CW models)
9	00669.0003	2	Plug (SINGLE CD models only)
10	22730.1006	1	Panel, Trunk w/Decals (SINGLE CD models) (Includes items 11 and 12)
	22730.1007	1	Panel, Trunk w/Decals (SINGLE CW models) (Includes items 11, 12 and 13)
	01382.0000	6	Screw #6-32 x .375"
	00988.0000	6	Fastener, "U" Type #6-32
11	00658.0000	1	Decal, Warning-Decanter/Funnel
12	29077.0003	1	Schematic, Electrical (SINGLE CD models)
	10836.0011	1	Schematic, Electrical (SINGLE CW models)
13	32540.0000	1	Decal, Batch Set Digital Timer (SINGLE CW models only)
14	34065.1001	1	Housing, Base w/Decals (Includes item 15)
15	12364.0000	1	Decal, Caution-Warmers and Surfaces are Hot
16	01593.0000	1	Bushing, Snap 1.5" dia.
17	24805.0002	1	Plate, Base
	02332.0002	4	Screw, Hex Crimptite #6-32 x .375"
18	26528.0001	4	Leg, 4.0" adjustable
19	34115.0000	1	Channel, Cordset
	00970.0000	2	Nut, Keps #8-32
			} SINGLE CW models only



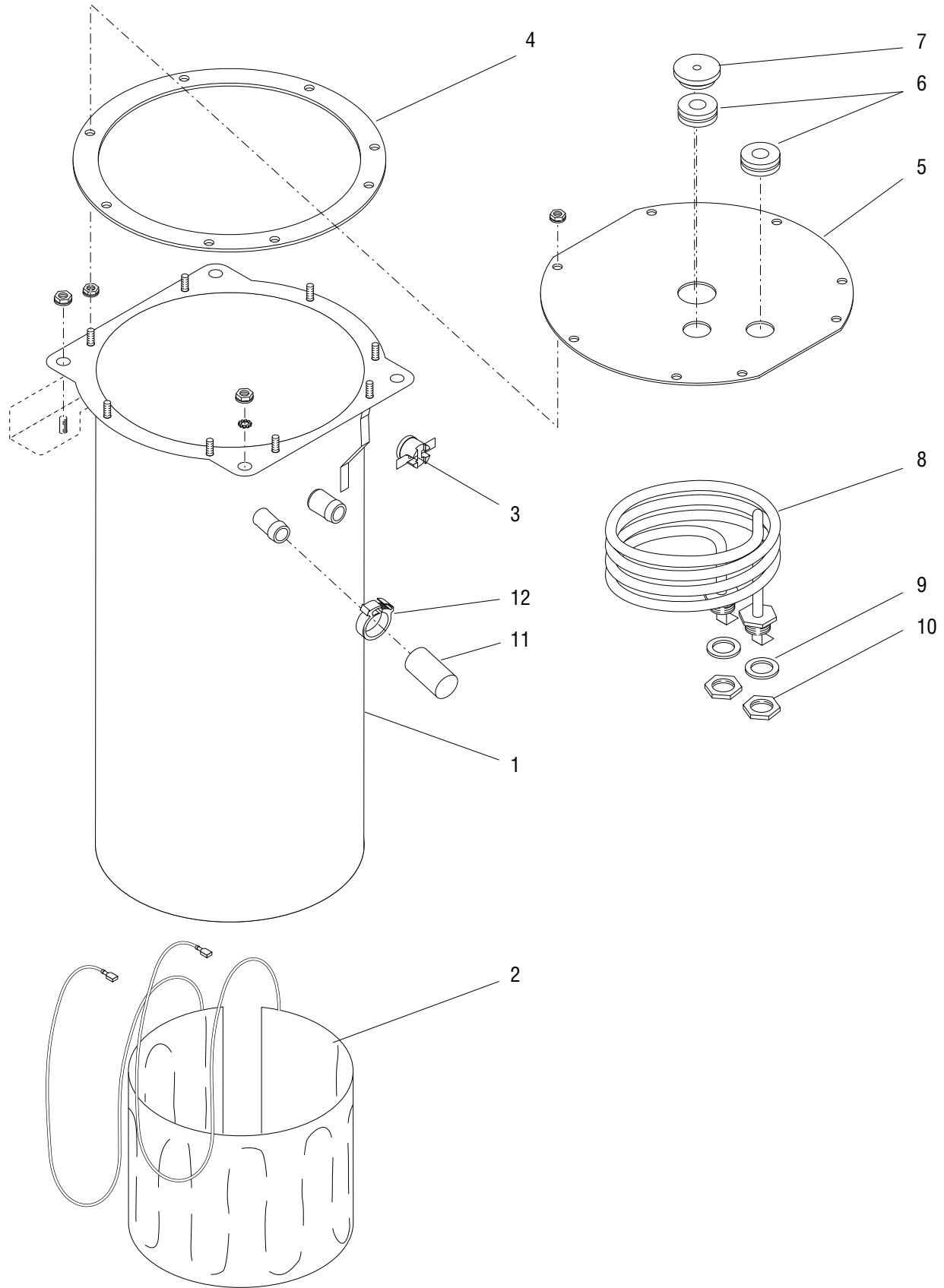
WARMER ASSEMBLY

ITEM	PART NO.	QTY.	DESCRIPTION
1	11440.0005	1	Warmer Assy (Includes items 2 thru 6)
	01303.0000	3	Screw #4-40 x .50"
	00916.0000	3	Fastener, "J" Type #4-40
2	03656.0000	1	Dish
3	11442.0000	1	Element 100W, 120V
4	13042.0001	1	Spacer
5	05212.0000	1	Plate
6	00970.0000	2	Nut, KEPS #8-32
7	-----	2	Tube .25"ID x 1.88" (Order item 8)
8	04828.1001	-	Tube .25"ID x 24.0" (Cut to required length)



FUNNELS

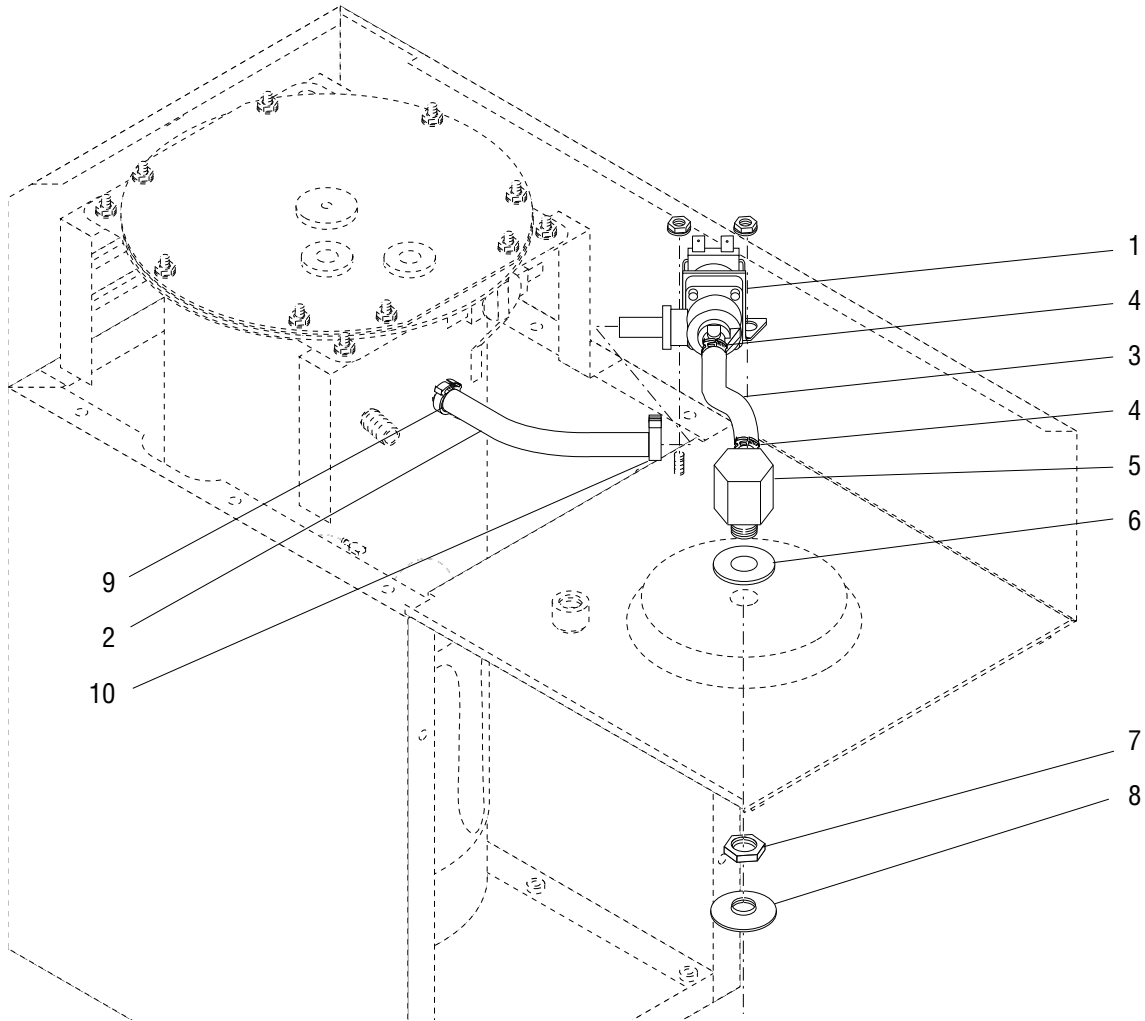
ITEM	PART NO.	QTY.	DESCRIPTION
1	20583.0003	1	Funnel, Plastic (Black) (Includes items 6 thru 8)
	20216.0000	1	Funnel, SST W/Black Handle
	34559.0000	1	Funnel, Gourmet 'C', SST (Includes items 2,3,4,6,7 & 9)
2	33088.0000	1	Filter Basket
	34546.0000	1	Filter Basket, Gourmet 'C'
3	28553.0000	1	Funnel W/Decals, SST (Includes items 6 & 7)
	34558.0000	1	Funnel, Gourmet 'C'
4	20244.1000	1	Handle Kit, Black (Includes mounting screw below)
	01331.0002	1	Screw, Round Head 10-32 x 1.50"
5	01031.0000	1	Funnel Tip Kit
6	03408.0002	1	Decal, Warning - Remove Funnel
7	03409.0002	1	Decal, Warning - Hot Liquid
8	32964.0000	1	Splashguard
9	28694.0000	1	Decal, Warning - Hot Liquid/Remove Funnel



TANK AND COMPONENTS (SINGLE CD models)

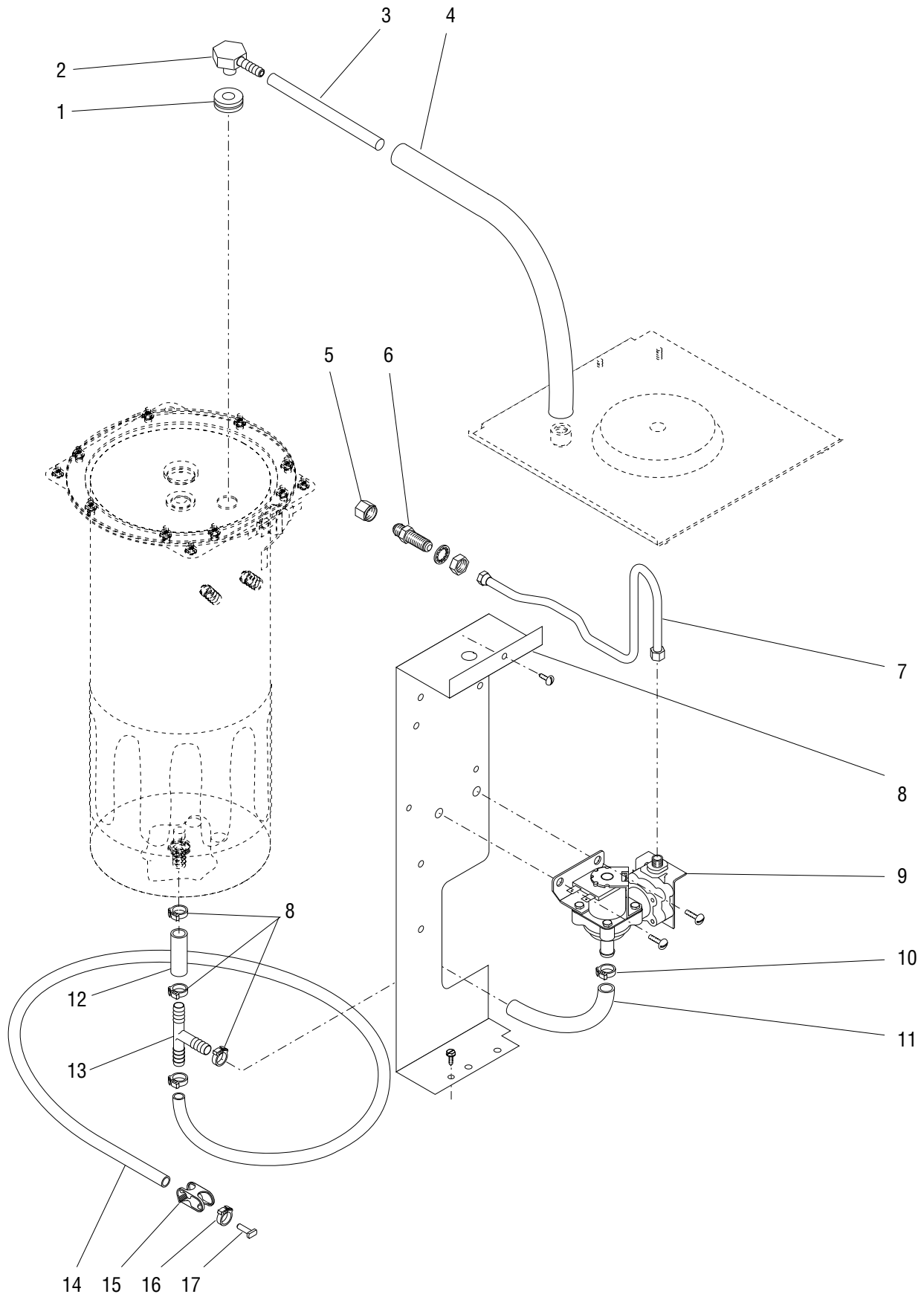
ITEM	PART NO.	QTY.	DESCRIPTION
1	-----	1	Tank (Models with .375 Faucet Tubing)(If for first replacement order item 13)
	33937.0004	1	Tank (Models with .50 Faucet Tubing)
	00908.0000	5	Nut, #8-32
	01511.0000	1	Lockwasher, Ext. Tooth #8
2	04260.0000	1	Blanket Warmer 50W, 120V
3	29329.1000	1	Thermostat, Limit
4	04221.0000	1	Gasket, Tank Lid
5	28735.0000	1	Tank Lid
	00908.0000	8	Nut #8-32
6	02536.0000	2	Grommet
7	12570.0000	1	Grommet, Temperature Sensor
	33801.0001	1	Grommet, Temperature Sensor (Used with 11.5 Probe)
8	02755.1000	1	Tank Heater, 1425W 120V (Includes item 9)
	05037.1000	1	Tank Heater, 3500W 240V (Includes item 9)
9	00943.0000	2	Gasket, Tank Heater
10	00942.0000	2	Nut, Brass .50"-20
11	29279.0000	1	Cap, Silicone
12	12422.0001	1	Clamp, Hose .59-.66" I.D.
13	34074.1005	-	Tank Replacement Kit (NModels with .50 Faucet Tubing)(Includes items 1 thru 10 and .50 tubing on pages 13, 16 and tank drain on page 15)

} Brewers without Faucet



DISPENSE VALVE, TUBES & SPRAYHEAD (SINGLE CD models)

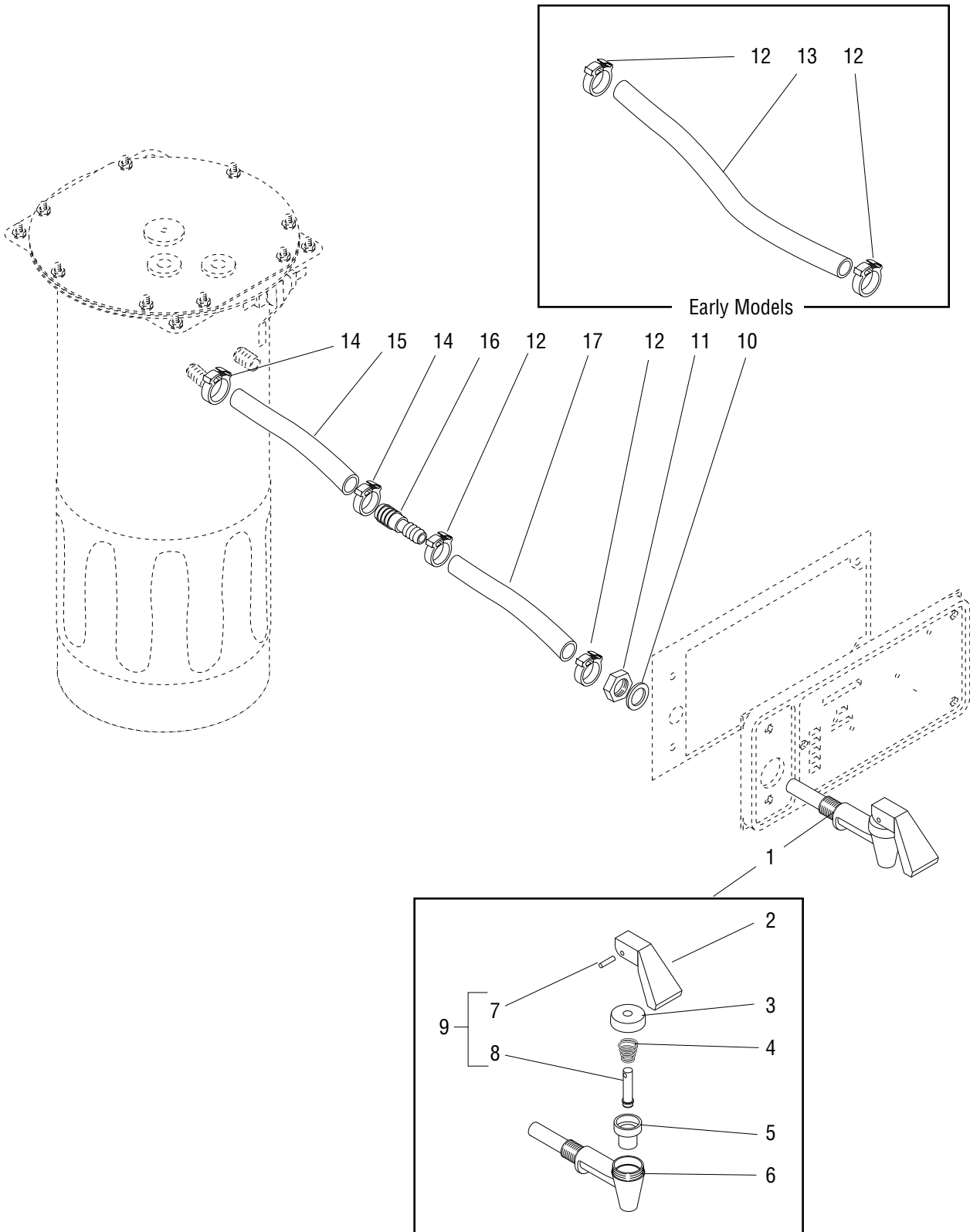
ITEM	PART NO.	QTY.	DESCRIPTION
1	27370.0000	1	Valve, Dispense (120V) (See item 13)
	00970.0000	2	Nut, KEPS #8-32
2	-----	1	Tube .375"ID x 5.0" (Order item 11)
	-----	1	Tube .50"ID x 5.25" (Order item 12)
3	-----	1	Tube .375"ID x 1.60" (Order item 11)
4	12422.0001	4	Clamp, Hose-Snap Type .59-.66"ID (Two less used with .50 tubing)
5	28747.0000	1	Fitting, Sprayhead
6	00943.0000	1	Gasket, Sprayhead Fitting
7	01075.0000	1	Nut, Hex .438"-20
8	01082.0000	1	Sprayhead, 6 Hole
9	12422.0009	1	Clamp, Hose-Snap Type .71 - .80" ID (at Tank)
10	12422.0005	1	Clamp, Hose-Snap Type .59 - .66" ID (at Valve)
11	20976.1000	-	Tube .375"ID x 12.0" rowspan="3"> <div style="display: inline-block; vertical-align: middle;"> <div style="border-left: 1px solid black; border-right: 1px solid black; height: 100%; width: 100%;"></div> <div style="border-top: 1px solid black; border-bottom: 1px solid black; width: 100%;"></div> </div>
	20976.1001	-	Tube .375"ID x 36.0"
	20976.1002	-	Tube .375"ID x 120.0"
12	32591.1001	-	Tube .50"ID x 12.0" <div style="display: inline-block; vertical-align: middle; margin-left: 10px;"> <div style="border-left: 1px solid black; border-right: 1px solid black; height: 100%; width: 100%;"></div> <div style="border-top: 1px solid black; border-bottom: 1px solid black; width: 100%;"></div> </div>
13	11517.0008	-	Repair Kit, Dispense Valve (Includes Plunger, Spring and Diaphragm)



SOLENOID VALVE AND LINES (SINGLE CD models)

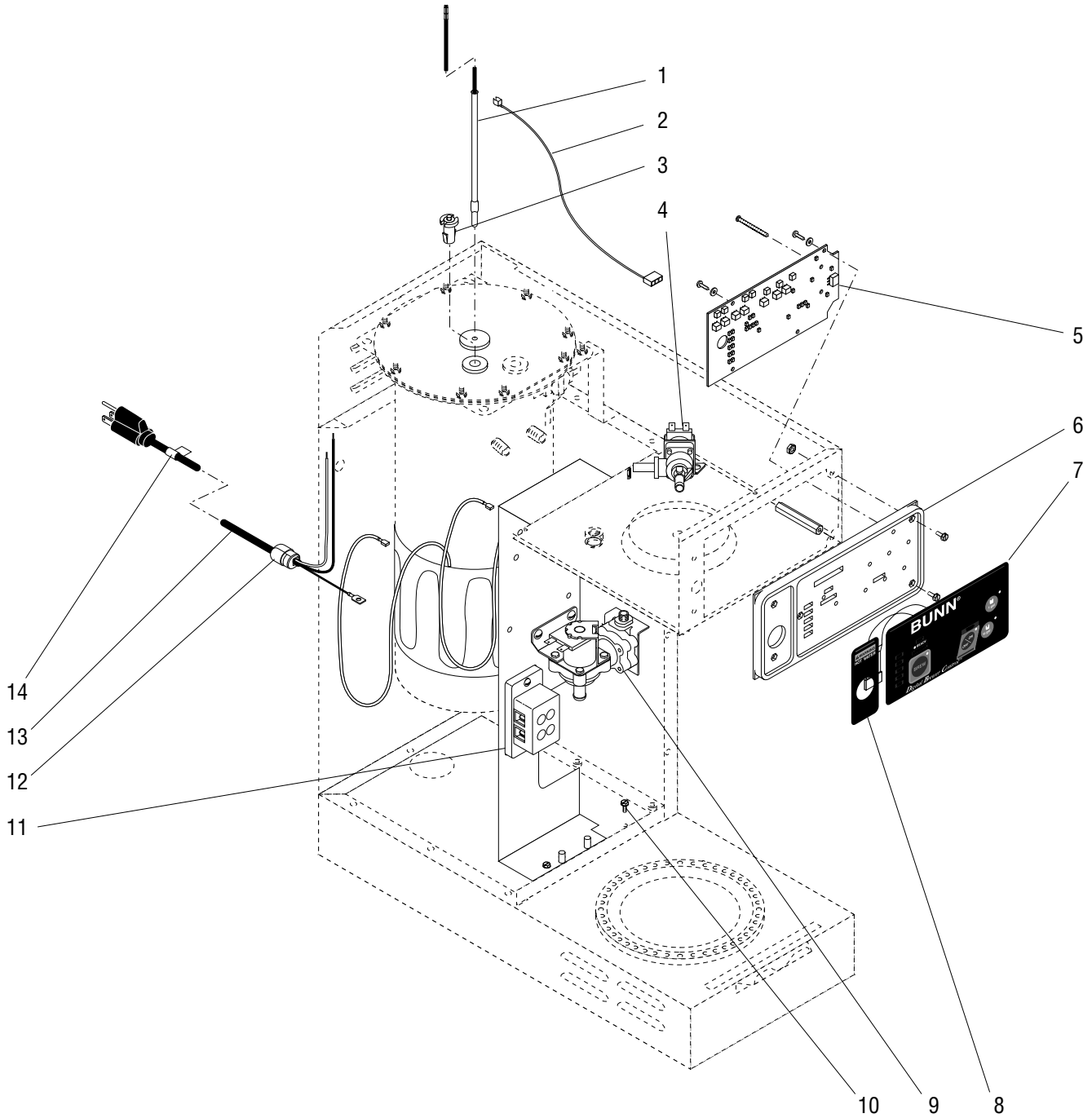
ITEM	PART NO.	QTY.	DESCRIPTION
1	-----	1	Grommet (See Tank & Components)
2	28737.0000	1	Fitting .25" barbed
3	-----	1	Tube .25" x 6.0" (Order item 18)
4	-----	1	Tube .50" x 6.0" (Order item 20)
5	00935.0000	1	Cap (For shipping purposes only)
6	00459.0000	1	Fitting, Bulkhead .25"FLR
	01532.0000	1	Lockwasher, Int. Tooth .438"
	00463.0000	1	Nut, Hex .438"-20
7	29065.0000	1	Tube, Bulkhead to Solenoid
8	28740.0001	1	Bracket, Component Mounting
	02308.0000	1	Screw #8-32 x .375"
	01326.0000	1	Screw, Truss Head #10-32 x .25"
9	28750.0000	1	Solenoid Assy (120V)
	02325.0001	2	Screw .25"-20 x .312"
10	12422.0001	5	Clamp, Hose-Snap Type .59-.66"ID
11	-----	1	Tube .375"ID x 7.00" (Order item 19)
12	-----	2	Tube .375"ID x 1.60" (Order item 19)
13	06866.0000	1	Tee, Hose Barb .38" x .38" x .38"
14	28526.1001	1	Tube, Silicone .313" I.D. x 36.0"
15	11630.0001	1	Clamp, Shut Off
16	12422.0006	1	Clamp, Hose-Snap Type .53" - .59" I.D.
17	34392.0000	1	Plug
18	11707.1000	-	Tube .25"ID x 12.0"
	11707.1001	-	Tube .25"ID x 36.0"
	11707.1002	-	Tube .25"ID x 120.0"
19	20976.1000	-	Tube .375"ID x 12.0"
	20976.1001	-	Tube .375"ID x 36.0"
	20976.1002	-	Tube .375"ID x 120.0"
20	32591.1001	-	Tube .50"ID x 12.0"

} Cut to required length



FAUCET AND LINES (SINGLE CD models)

ITEM	PART NO.	QTY.	DESCRIPTION
1	29075.0000	1	Faucet Assy(Includes items 2 thru 8)
2	02861.0000	1	Handle, Red
3	02854.0000	1	Bonnet
4	02595.0000	1	Spring
5	02766.0000	1	Cup
6	-----	1	Body (Order item 1)
7	02858.0000	1	Pin, Spring
8	13054.0000	1	Stem
9	02594.0000	1	Faucet Stem w/Pin (Includes items 7 and 8)
10	01544.0000	1	Washer, .50" ID x .75" OD
11	29264.0000	1	Nut
12	12422.0001	2	Clamp, Hose-Snap Type .59-.66"ID
13	-----	1	Tube .313" ID x .562" OD x 11.75" (Order item 18)
14	12422.0009	2	Clamp, Hose-Snap Type .71 -.80"ID
15	-----	1	Tube .50"ID x 6.50" (Order item 19)
16	36099.0000	1	Reducer .50" x .375"
17	-----	1	Tube .375"ID x 5.00" (Order item 20)
18	28526.1000	-	Tube .313" ID x .562" OD x 12.0" (Use as required)
	28526.1001	-	Tube .313" ID x .562" OD x 36.0" (Use as required)
	28526.1002	-	Tube .313" ID x .562" OD x 60.0" (Use as required)
	28526.1003	-	Tube .313" ID x .562" OD x 120.0" (Use as required)
19	32591.1001	-	Tube .50"ID x 12.0" (Use as required)
20	20976.1000	-	Tube .375"ID x 12.0" (Use as required)
21	28706.0002	1	Faucet Repair Kit (Includes items 2, 4, 5, 7 & 8)



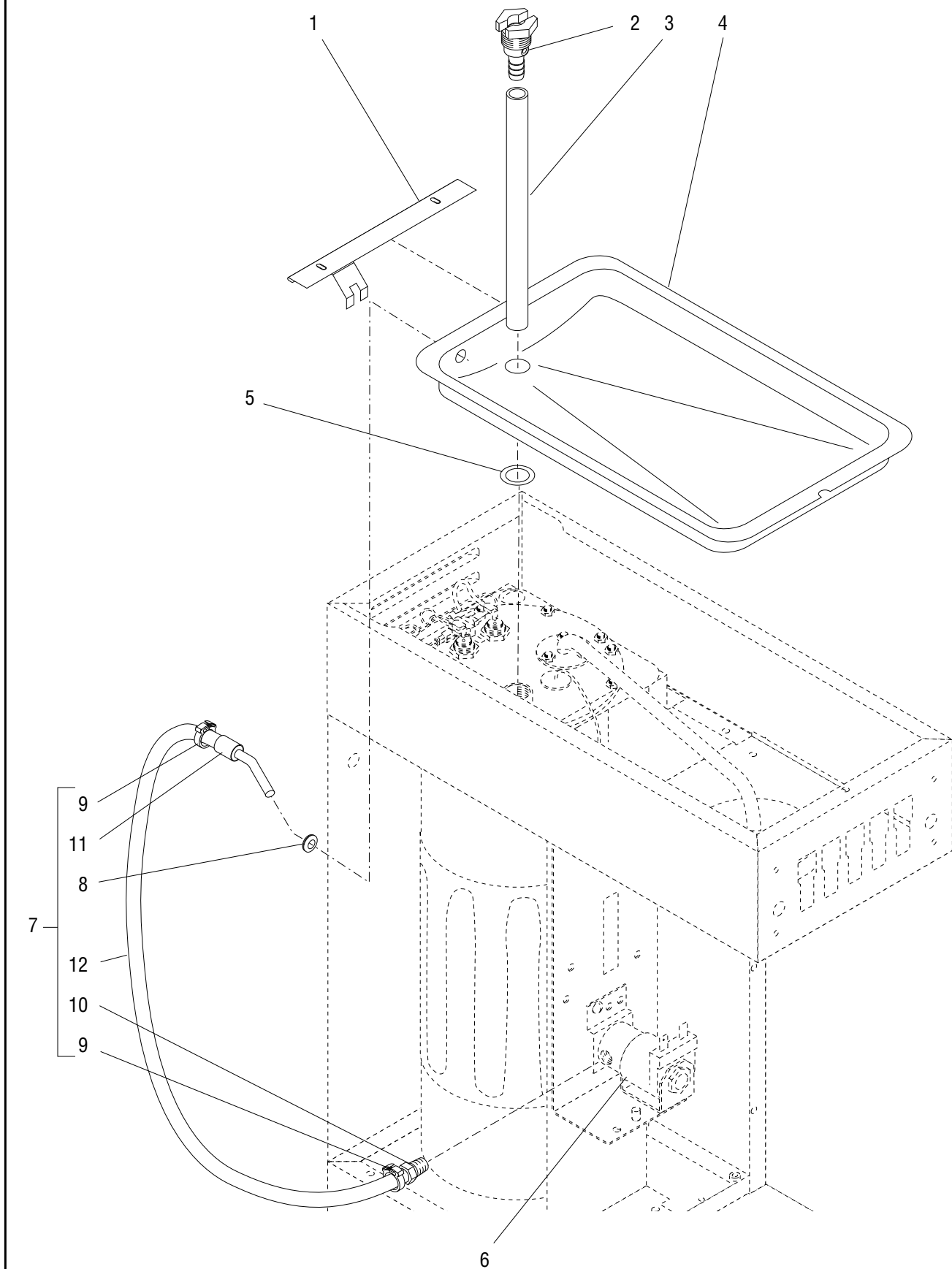
ELECTRICAL AND OPERATING CONTROLS (SINGLE CD models)

ITEM	PART NO.	QTY.	DESCRIPTION
1	29327.0000	1	Probe Kit, Temperature and Dry Plug 7.5" long
	29327.0001	1	Probe Kit, Temperature and Dry Plug 11.5" long
2	34813.0000	1	Probe Clip Assy
3	07412.1001	1	Probe, Liquid Level
	01501.0000	1	Washer
	20203.0100	1	Lockwasher, Internal-tooth #8
	00908.0000	1	Nut, Hex #8-32
4	-----	1	Dispense Valve (See DISPENSE VALVE AND LINES)
5	28975.1003	1	PC Board, Control (120V)
	02362.0000	2	Screw #4-40 x 1.25"
	01360.0002	4	Screw, Plascrew #6 x .375"
	01518.0000	4	Washer, Nylon #6
6	29008.0000	1	Front End Cap
	29082.0000	4	Screw, Hex-head #6-32 x .50"
	00973.0000	3	Nut, Keps #6-32
	29263.0000	1	Nut, Standoff #6-32 x 2.0"
7	29006.0010	1	Switch, Membrane
8	29007.0000	1	Decal, HOT WATER
	29265.0000	1	Decal, Faucet Hole Cover (Brewers without Faucet)
9	-----	1	Solenoid (See SOLENOID AND LINES)
10	02337.0001	1	Screw, Grounding #10 x .375"
11	01106.0000	1	Terminal Block, 2-pole
	07038.0000	1	Terminal Block, 3-pole
	01317.0000	2	Screw #8-32 x .50"
12	01686.0000	1	Bushing, Strain Relief (15 amp brewers)
	01685.0000	1	Connector, Cable .50" (20 amp brewers)
13	01719.1000	1	Power Cord Assy (Includes item 14)
14	06064.0000	1	Label, Cord Warning

} 15 amp brewers only

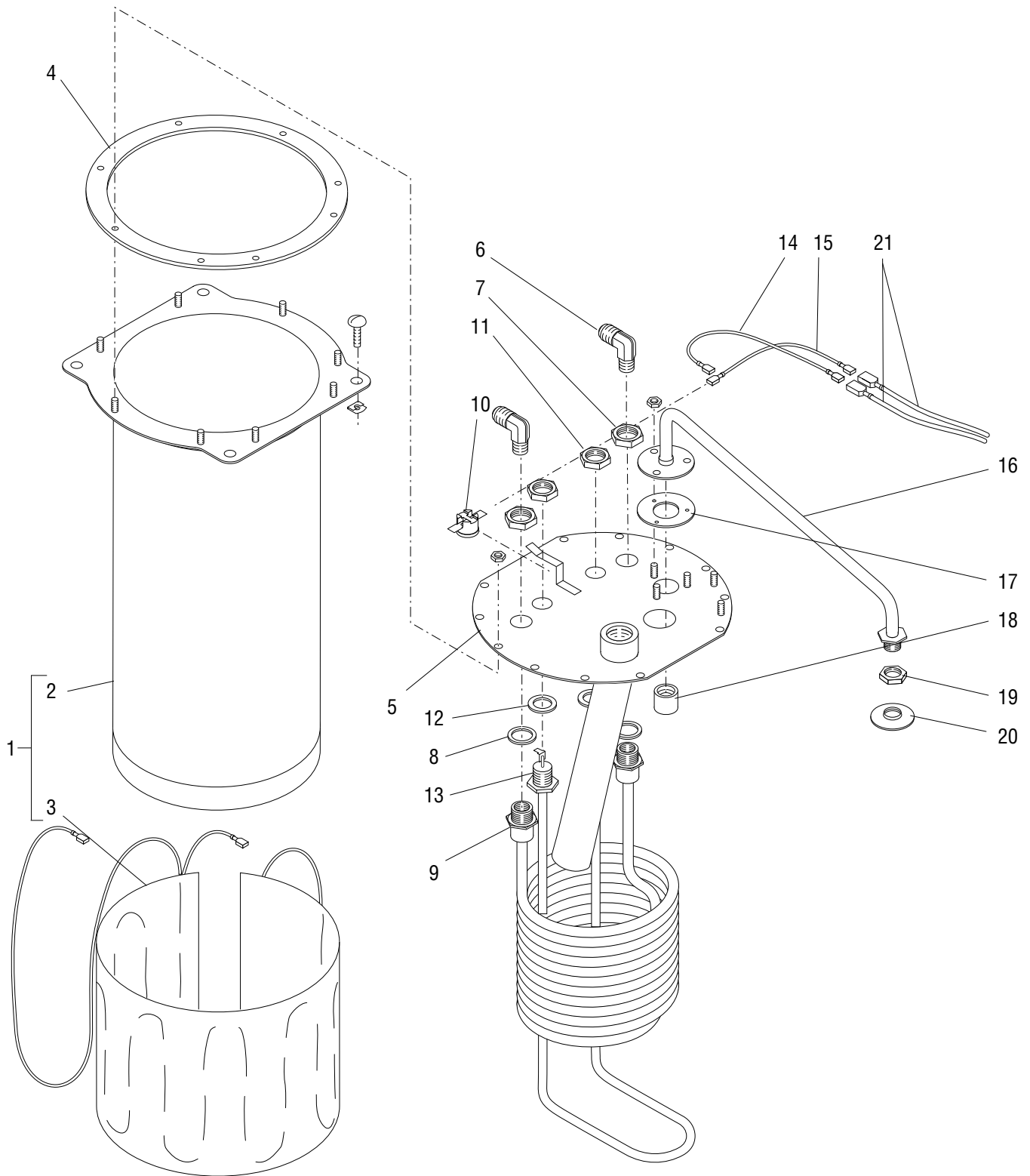
The Following Items Are Not Illustrated

15	28743.0000	1	Wiring Harness, Liquid Level
16	29072.0000	1	Wiring Harness, Main 120V
	29072.0003	1	Wiring Harness, Main 120/240V



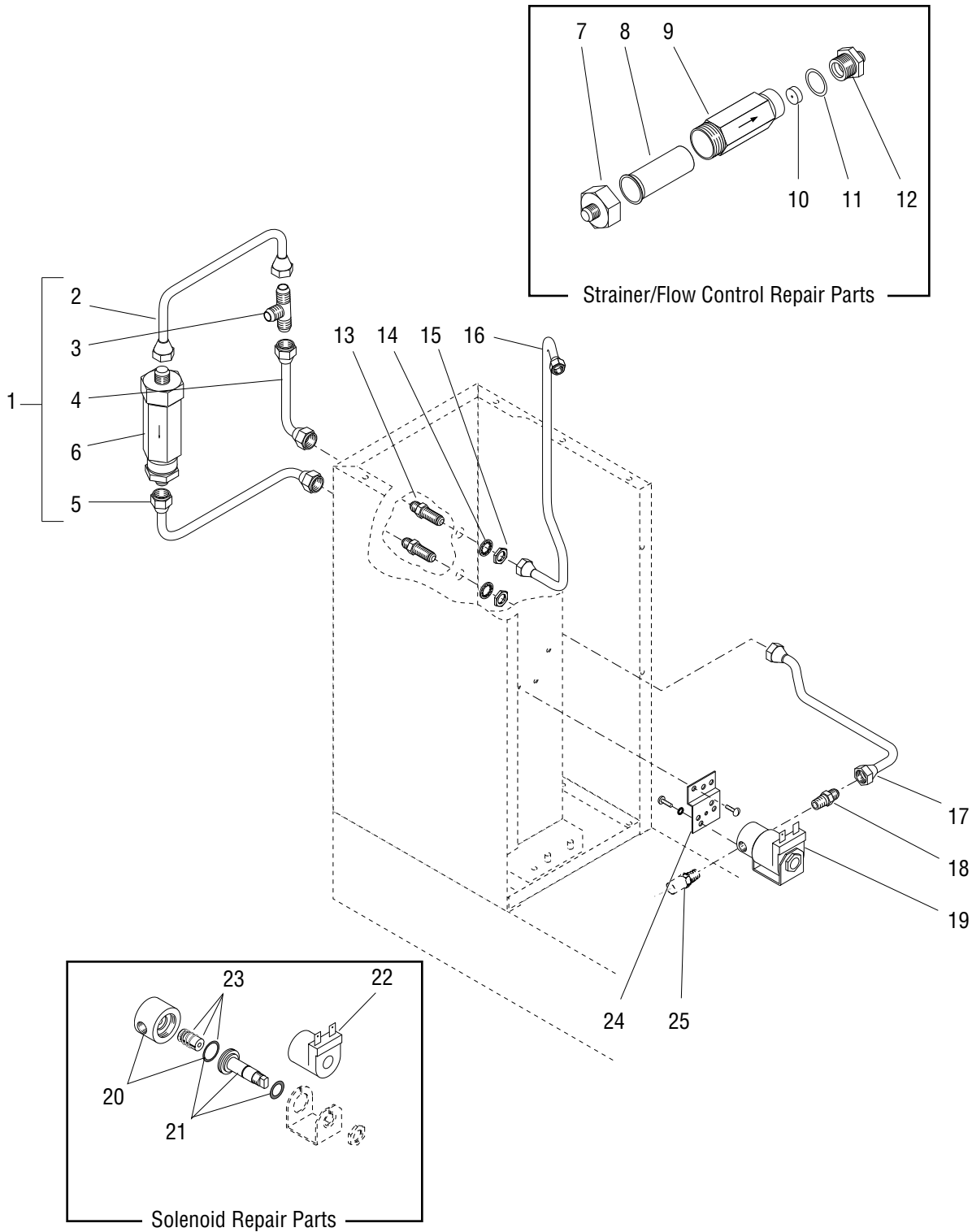
FILL BASIN (SINGLE CW models)

ITEM	PART NO.	QTY.	DESCRIPTION
1	27514.0000	1	Plate, Splash Guard
2	32063.0000	1	Fitting, Fill Basin
3	-----	1	Tube, Silicone .313" I.D. x 13.50" (Order item 13)
4	04270.0002	1	Fill Basin
5	01201.0000	1	Gasket, Tank Inlet
6	-----	-	Solenoid Assembly (See STRAINER-FLOW CONTROL, SOLENOID & LINES)
7	12914.0002	1	Tube Assembly, Solenoid To Fill Basin (Includes item 8 thru 12)
8	12928.0000	1	Grommet, Basin (See Item 7)
9	12422.0000	2	Clamp, Hose-Snap (See Item 7)
10	22397.0001	1	Fitting, .25 Barb x .12 MPT (See Item 7)
11	12913.0000	1	Tube, Fill Basin (See Item 7)
12	11707.0003	1	Tube, Silicone .25" I.D. x 21.5" (Order item 14 - also see Item 7)
13	28526.1001	-	Tube, Silicone .313" I.D. x 36.0" (Cut to required length)
14	11707.1001	-	Tube, Silicone .25" I.D. x 36.0" (Cut to required length)



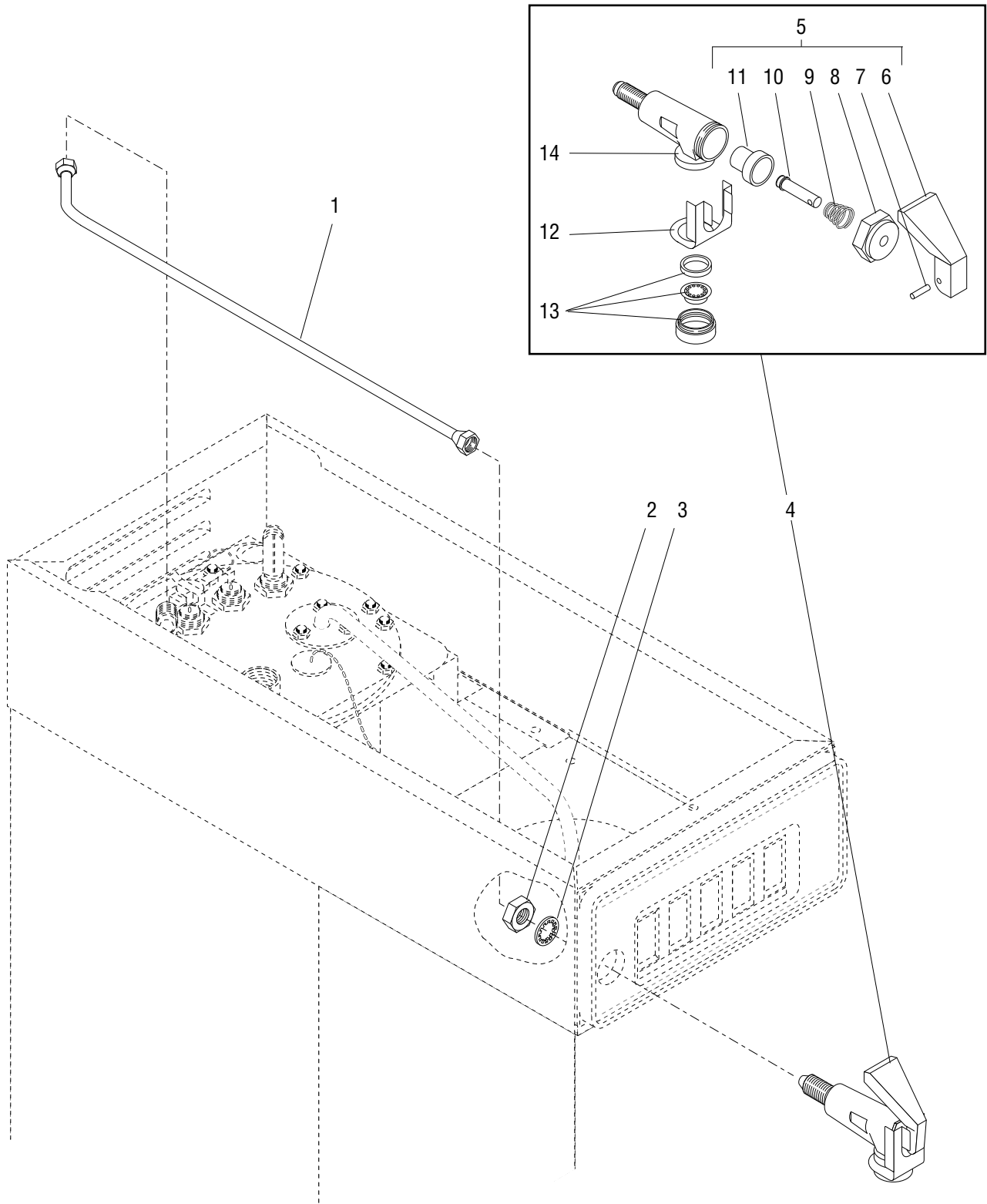
TANK AND COMPONENTS (SINGLE CW)

ITEM	PART NO.	QTY.	DESCRIPTION	
1	20842.0000	1	Tank W/Blanket Warmer, 120V (Includes items 2 & 3)	
2	20201.3000	1	Tank	
3	04260.0000	1	Blanket Warmer, 50W 120V	
4	04221.0000	1	Gasket, Tank Lid	
5	25158.0001	1	Tank Lid Weldment (Brewers with Faucet)	
	25158.0002	1	Tank Lid (Brewers without faucet)	
	00908.0000	8	Nut, Hex #8-32	
6	00400.0001	2	Elbow, Male .250" Flare x .125" MPT	} Brewers with Faucet
7	12687.0000	2	Nut, Hex Brass .562"-24 (Water Coil)	
8	12688.0000	2	Gasket, Water Coil	
9	12689.1000	1	Coil Assy, Hot Water (Includes item 8)	
10	29329.1000	1	Thermostat, Limit	
11	00942.0000	2	Nut, Hex .50"-20 (Tank Heater)	
12	00943.0000	2	Gasket, Tank Heater	
13	03070.1001	1	Tank Heater, 1500W 120V (Includes item 12)	
	20201.0750	1	Tank Heater, 3500W 240V (Includes item 12)	
14	20211.0100	1	Thermal Safety Fuse (Thermostat to Heater)	
15	23768.0000	1	Lead, Electrical BLU (Thermostat to Limit)	
16	11431.0002	1	Sprayhead Tube Kit (Includes 3 mounting nuts below & items 19 & 20)	
	00908.0000	3	Nut, Hex #8-32	
17	05515.0000	1	Gasket, Sprayhead tube	
18	05518.0000	1	Hub, Syphon	
19	01075.0000	1	Nut, Hex .438"-20	
20	01082.0000	1	Sprayhead, 6-Hole	
21	-----	-	Thermostat Leads (See Electrical and Operating Controls)	



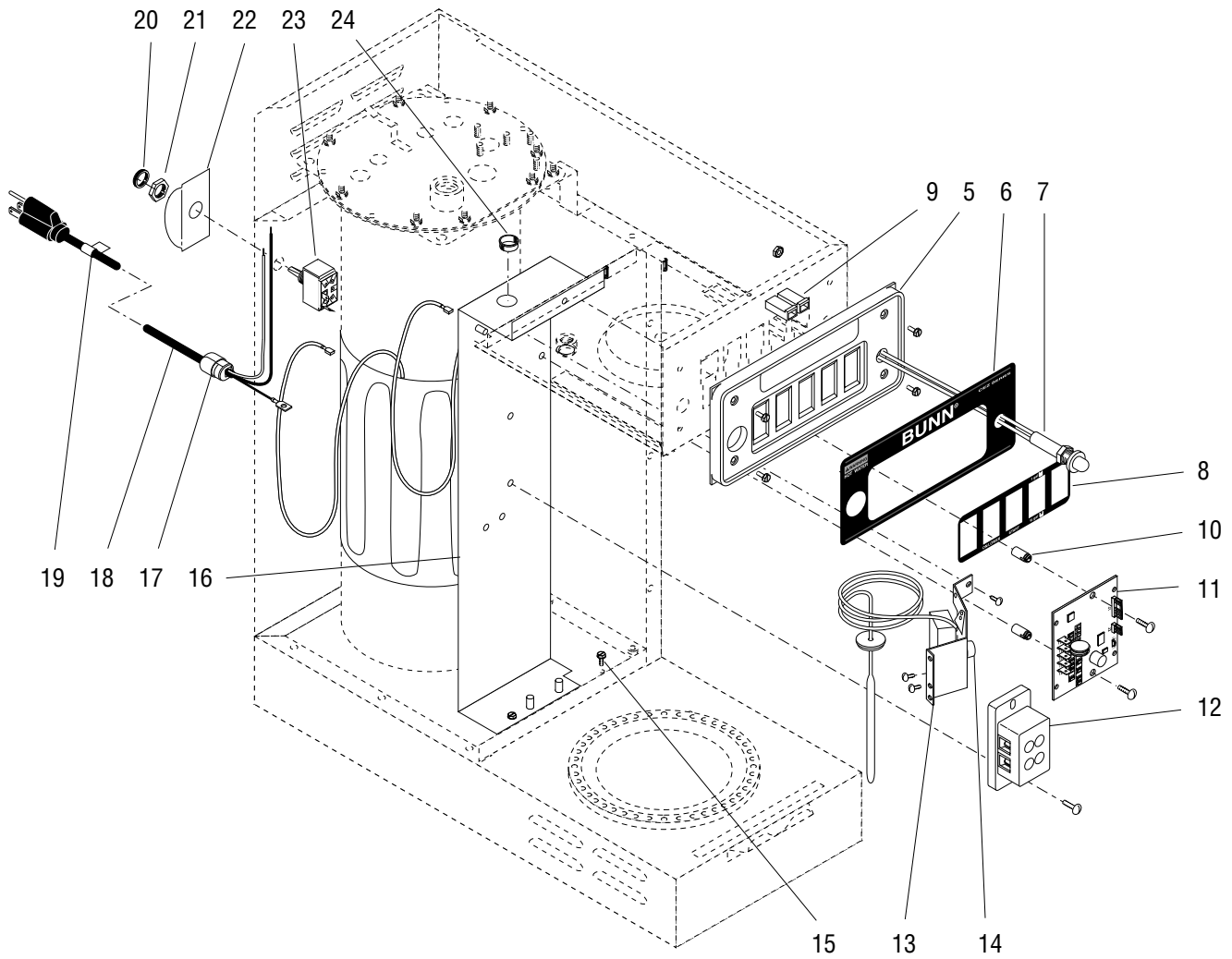
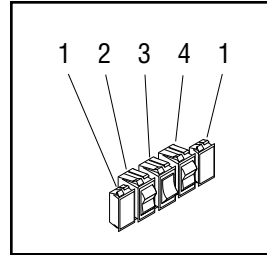
STRAINER - FLOW CONTROL, SOLENOID AND LINES (SINGLE CW models)

ITEM	PART NO.	QTY.	DESCRIPTION
1	24394.0222	1	Strainer/Flow Control Assembly (.222 GPM) (Includes items 2 thru 6)
2	26216.0000	1	Tube Assembly, Flow Control to Tee
3	20577.0001	1	Tee, .250" Flare
4	21814.0016	1	Tube Assembly, Tee to Bulkhead
5	26217.0000	1	Tube Assembly, Flow Control to Bulkhead
6	22300.0222	1	Strainer/Flow Control Assembly (.222 GPM)(Includes items 7 thru 12)
7	22249.0000	1	Fitting, Flow Control Inlet
8	23721.0000	1	Screen
9	-----	1	Body (Not Available. Order Item 6)
10	20526.1222	1	Flow Washer/Gasket Set (.222 GPM) (Includes item 11)
11	01155.0000	1	Gasket, Flow Control
12	01154.0000	1	Fitting, Flow Control Outlet
13	00459.0000	2	Fitting, Bulkhead .250" Flare
14	01532.0000	2	Lockwasher, Internal Tooth .438"
15	00463.0000	2	Nut, Hex .438"-20
16	20690.0000	1	Tube Assembly, Bulkhead to Coil
17	12645.0002	1	Tube Assembly, Bulkhead to Solenoid
18	00402.0001	1	Connector, Male .250" Flare x .125"MPT
19	01085.0002	1	Solenoid Valve, 120V
	01327.0000	2	Screw, Pan Head #10-32 x .375"
	01502.0000	2	Lockwasher, Split #10
20	28479.0000	1	Solenoid Valve Base Kit (Includes O-ring)
21	28481.0000	1	Guide Kit (Includes Washer & O-ring)
22	28480.0000	1	Solenoid Valve Coil, 120V
23	01111.0002	1	Solenoid Valve Repair Kit (Includes Plunger, Spring and O-ring)
24	07441.0000	1	Bracket, Solenoid Mounting
	02308.0000	2	Screw, Pan Head Serrated #8-32 x .375"
25	-----	1	Tube Assembly, Solenoid to Fill Basin (See FILL BASIN)



FAUCET AND LINES (SINGLE CW models)

ITEM	PART NO.	QTY.	DESCRIPTION
1	20691.0000	1	Tube Assembly, Coil to Faucet
2	13059.0000	1	Faucet Jam Nut
3	01532.0000	1	Lockwasher, Internal Tooth .438" I.D.
4	12915.0000	1	Faucet, Hot Water (Includes items 5 thru 14)
5	13061.0000	1	Faucet Handle/Stem Assembly (Includes items 6 thru 11)
6	13053.0000	1	Faucet Handle Kit (Includes item 7)
7	02858.0000	1	Pin, Spring .125" Dia x .50"
8	13060.0000	1	Faucet Bonnet Nut
9	13055.0000	1	Faucet Spring
10	13054.0000	1	Faucet Stem
11	13056.0000	1	Faucet Seat Cup
12	13057.0000	1	Faucet Safety Clip
13	13058.0000	1	Faucet Aerator Kit
14	-----	1	Body, Faucet (Not available. Order item 4)



ELECTRICAL AND OPERATING CONTROLS (SINGLE CW models)

ITEM	PART NO.	QTY.	DESCRIPTION
1	12921.0000	2	Switch Blank, BLK
2	12920.0000	1	Switch, ON/OFF
3	01063.0000	1	Switch, MOMENTARY START
4	20637.0000	1	Switch, SELECTOR
5	13352.0008	1	Front End Cap
	02301.0000	4	Screw, Pan-head #6-32 x .625"
	00973.0000	4	Nut, KEPS #6-32
6	22289.0003	1	Decal, Control Panel (Brewers with Faucet)
	22289.0001	1	Decal, Control Panel (Brewers without Faucet)
7	12984.0002	1	Light Assembly, 120V Green (includes item 9) (120V Brewers)
	12984.0004	1	Light Assembly, 240V Green (includes item 9) (120/240V Brewers)
8	20603.0001	1	Decal, Switch
9	04243.0000	2	Terminal Housing, Receptacle
10	32530.0001	2	Spacer
11	32400.0002	1	PC Board, Control
	01320.0000	1	Screw, Round Head #8-32 x 1.0"
12	01106.0000	1	Terminal Block, 2-pole
	07038.0000	1	Terminal Block, 3-pole
	01317.0000	2	Screw #8-32 x .50"
13	29319.0000	1	Thermostat Kit (Includes item 11)
	02308.0000	1	Screw, Pan Head #8-32 x .375" (Mounting)
	20762.0000	2	Screw, BDG Head #8-32 x .25" (Terminal)
14	00720.0000	1	Knob, Thermostat
15	02337.0001	1	Screw, Grounding #10 x .375"
16	12698.0003	1	Bracket, Component Mounting
	02308.0000	1	Screw, Pan Head #8-32 x .375"
	02332.0001	1	Screw, CrimpTite #6 x .25"
17	01686.0000	1	Bushing, Strain Relief (15 amp brewers)
	01685.0000	1	Connector, cable .50" (20 amp brewers)
18	01719.1000	1	Power Cord Assy (Includes item 19)
19	06064.0000	1	Label, Cord Warning
20	23697.0000	1	Facenut, Plastic
21	23696.0000	1	Nut, Hex
22	25102.0000	1	Bracket, Switch
23	23522.0000	1	Switch, Toggle (Includes item 21)
24	00606.0000	1	Bushing, Nylon .875" hole

} 15 amp brewers only

The Following Items Are Not Illustrated

25	33985.0000	1	Wiring Harness, Main 120V
	34023.0000	1	Wiring Harness, Main 120/240V
26	34602.0000	1	Wiring Harness, Selector Switch
27	12985.0000	1	Wiring Harness, Ready Light
28	25347.0000	1	Wiring Harness, Thermostat

NUMERICAL INDEX

PART NO.	PAGE NO.	PART NO.	PAGE NO.	PART NO.	PAGE NO.	PART NO.	PAGE NO.
00400.0001.....	23	02536.0000.....	11	12985.0000.....	29	28481.0000.....	25
00402.0001.....	25	02594.0000.....	17	13042.0001.....	7	28526.1000.....	17
00459.0000.....	15,25	02595.0000.....	17	13053.0000.....	27	28526.1001.....	15,17,21
00463.0000.....	15,25	02722.0000.....	5	13054.0000.....	17,27	28526.1002.....	17
00606.0000.....	29	02755.1000.....	11	13055.0000.....	27	28526.1003.....	17
00656.0000.....	5	02766.0000.....	17	13056.0000.....	27	28553.0000.....	9
00658.0000.....	5	02854.0000.....	17	13057.0000.....	27	28694.0000.....	9
00669.0003.....	5	02858.0000.....	17,27	13058.0000.....	27	28706.0002.....	17
00720.0000.....	29	02861.0000.....	17	13059.0000.....	27	28735.0000.....	11
00831.0000.....	5	03070.1001.....	23	13060.0000.....	27	28737.0000.....	15
00908.0000.....	11,19,23	03408.0002.....	9	13061.0000.....	27	28740.0001.....	15
00912.0000.....	5,23	03409.0002.....	9	13350.0006.....	5	28747.0000.....	13
00916.0000.....	5,7	03656.0000.....	7	13352.0008.....	29	28743.0000.....	19
00935.0000.....	15	04221.0000.....	11,23	20201.0750.....	23	28750.0000.....	15
00942.0000.....	11,23	04243.0000.....	29	20201.3000.....	19	28975.1003.....	19
00943.0000.....	11,13,23	04260.0000.....	11,23	20203.0100.....	19	29006.0010.....	19
00970.0000.....	5,7,13	04270.0002.....	21	20211.0100.....	23	29007.0000.....	19
00973.0000.....	19,29	04828.1001.....	7	20216.0000.....	9	29008.0000.....	19
00986.0000.....	5	05037.1000.....	11	20244.1000.....	9	29065.0000.....	15
00988.0000.....	5	05212.0000.....	7	20526.1222.....	25	29075.0000.....	17
01031.0000.....	9	05515.0000.....	23	20577.0001.....	25	29072.0000.....	19
01075.0000.....	13,23	05518.0000.....	23	20583.0003.....	9	29072.0003.....	19
01063.0000.....	29	06064.0000.....	19,29	20603.0001.....	29	29077.0003.....	5
01082.0000.....	13,23	06866.0000.....	15	20637.0000.....	29	29082.0000.....	19
01085.0002.....	25	07038.0000.....	19,29	20690.0000.....	25	29206.0000.....	5
01106.0000.....	19,29	07412.1001.....	19	20691.0000.....	27	29263.0000.....	19
01111.0002.....	25	07441.0000.....	25	20762.0000.....	29	29264.0000.....	17
01154.0000.....	25	10836.0011.....	5	20842.0000.....	23	29319.0000.....	29
01155.0000.....	25	11431.0002.....	23	20976.1000.....	13,15,17	29327.0000.....	19
01201.0000.....	21	11440.0005.....	7	20976.1001.....	13,15	29327.0001.....	19
01303.0000.....	5,7	11442.0000.....	7	20976.1002.....	13,15	29329.1000.....	11,23
01315.0000.....	23	11517.0008.....	13	21814.0016.....	25	32063.0000.....	21
01317.0000.....	19,29	11630.0001.....	15	22249.0000.....	25	32400.0002.....	29
01319.0000.....	5	11707.0003.....	21	22289.0003.....	29	32530.0001.....	29
01320.0000.....	29	11707.1000.....	15	22300.0222.....	25	32540.0000.....	5
01326.0000.....	15	11707.1001.....	15,21	22397.0001.....	21	32591.1001.....	13,15,17
01327.0000.....	25	11707.1002.....	15	22730.1006.....	5	32964.0000.....	9
01331.0002.....	9	12364.0000.....	5	22730.1007.....	5	33088.0000.....	9
01360.0002.....	19	12422.0000.....	21	23522.0000.....	29	33801.0001.....	11
01382.0000.....	5	12422.0001.....	13,15,17	23696.0000.....	29	33937.0003.....	11
01501.0000.....	19	12422.0005.....	13	23697.0000.....	29	33985.0000.....	29
01502.0000.....	25	12422.0006.....	15	23721.0000.....	25	34023.0000.....	29
01511.0000.....	11	12422.0009.....	13,17	23768.0000.....	23	34061.1002.....	5
01518.0000.....	19	12570.0000.....	11	24394.0222.....	25	34061.1003.....	5
01532.0000.....	15,25,27	12645.0002.....	25	24805.0002.....	5	34063.0000.....	5
01544.0000.....	17	12687.0000.....	23	25102.0000.....	29	34065.1001.....	5
01593.0000.....	5	12688.0000.....	23	25158.0001.....	23	34070.0001.....	5
01685.0000.....	19,29	12689.1000.....	23	25320.1002.....	23	34074.1005.....	11
01686.0000.....	19,29	12698.0003.....	29	25347.0000.....	29	34115.0000.....	5
01719.1000.....	19,29	12913.0000.....	21	26216.0000.....	25	34392.0000.....	15
02301.0000.....	29	12914.0002.....	21	26217.0000.....	25	34546.0000.....	9
02308.0000.....	5,15,25,29	12915.0000.....	27	26225.0000.....	5	34558.0000.....	9
02325.0001.....	15	12920.0000.....	29	26528.0001.....	5	34559.0000.....	9
02332.0001.....	29	12921.0000.....	29	27370.0000.....	21	34602.0000.....	29
02332.0002.....	5	12928.0000.....	21	27514.0000.....	21	34813.0000.....	19
02337.0001.....	19,29	12953.1001.....	5	28479.0000.....	25	36099.0000.....	17
02362.0000.....	19	12984.0002.....	29	28480.0000.....	25		