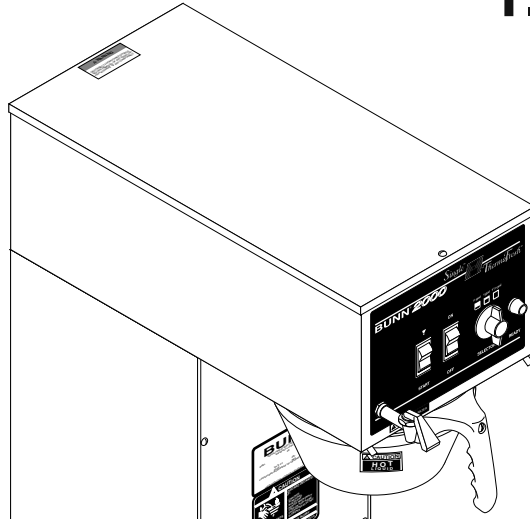


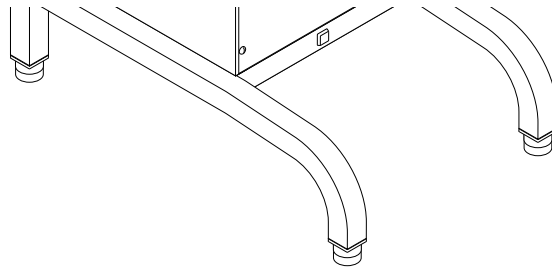
BUNN®

SINGLE™ TF

1.5 GALLON



DISCONTINUED VERSION
Parts listed in this catalog
may no longer be available.



ILLUSTRATED PARTS CATALOG

Designs, materials, weights, specifications, and dimensions for equipment or replacement parts are subject to change without notice.

BUNN-O-MATIC CORPORATION

POST OFFICE BOX 3227

SPRINGFIELD, ILLINOIS 62708-3227

PHONE: (217) 529-6601 FAX: (217) 529-6644

BUNN-O-MATIC COMMERCIAL PRODUCT WARRANTY

Bunn-O-Matic Corp. ("BUNN") warrants equipment manufactured by it as follows:

- 1) All equipment other than as specified below: 2 years parts and 1 year labor.
- 2) Electronic circuit and/or control boards: parts and labor for 3 years.
- 3) Compressors on refrigeration equipment: 5 years parts and 1 year labor.
- 4) Grinding burrs on coffee grinding equipment to grind coffee to meet original factory screen sieve analysis: parts and labor for 3 years or 30,000 pounds of coffee, whichever comes first.

These warranty periods run from the date of installation BUNN warrants that the equipment manufactured by it will be commercially free of defects in material and workmanship existing at the time of manufacture and appearing within the applicable warranty period. This warranty does not apply to any equipment, component or part that was not manufactured by BUNN or that, in BUNN's judgment, has been affected by misuse, neglect, alteration, improper installation or operation, improper maintenance or repair, damage or casualty. This warranty is conditioned on the Buyer 1) giving BUNN prompt notice of any claim to be made under this warranty by telephone at (217) 529-6601 or by writing to Post Office Box 3227, Springfield, Illinois 62708-3227; 2) if requested by BUNN, shipping the defective equipment prepaid to an authorized BUNN service location; and 3) receiving prior authorization from BUNN that the defective equipment is under warranty.

THE FOREGOING WARRANTY IS EXCLUSIVE AND IS IN LIEU OF ANY OTHER WARRANTY, WRITTEN OR ORAL, EXPRESS OR IMPLIED, INCLUDING, BUT NOT LIMITED TO, ANY IMPLIED WARRANTY OF EITHER MERCHANTABILITY OR FITNESS FOR A PARTICULAR PURPOSE. The agents, dealers or employees of BUNN are not authorized to make modifications to this warranty or to make additional warranties that are binding on BUNN. Accordingly, statements by such individuals, whether oral or written, do not constitute warranties and should not be relied upon.

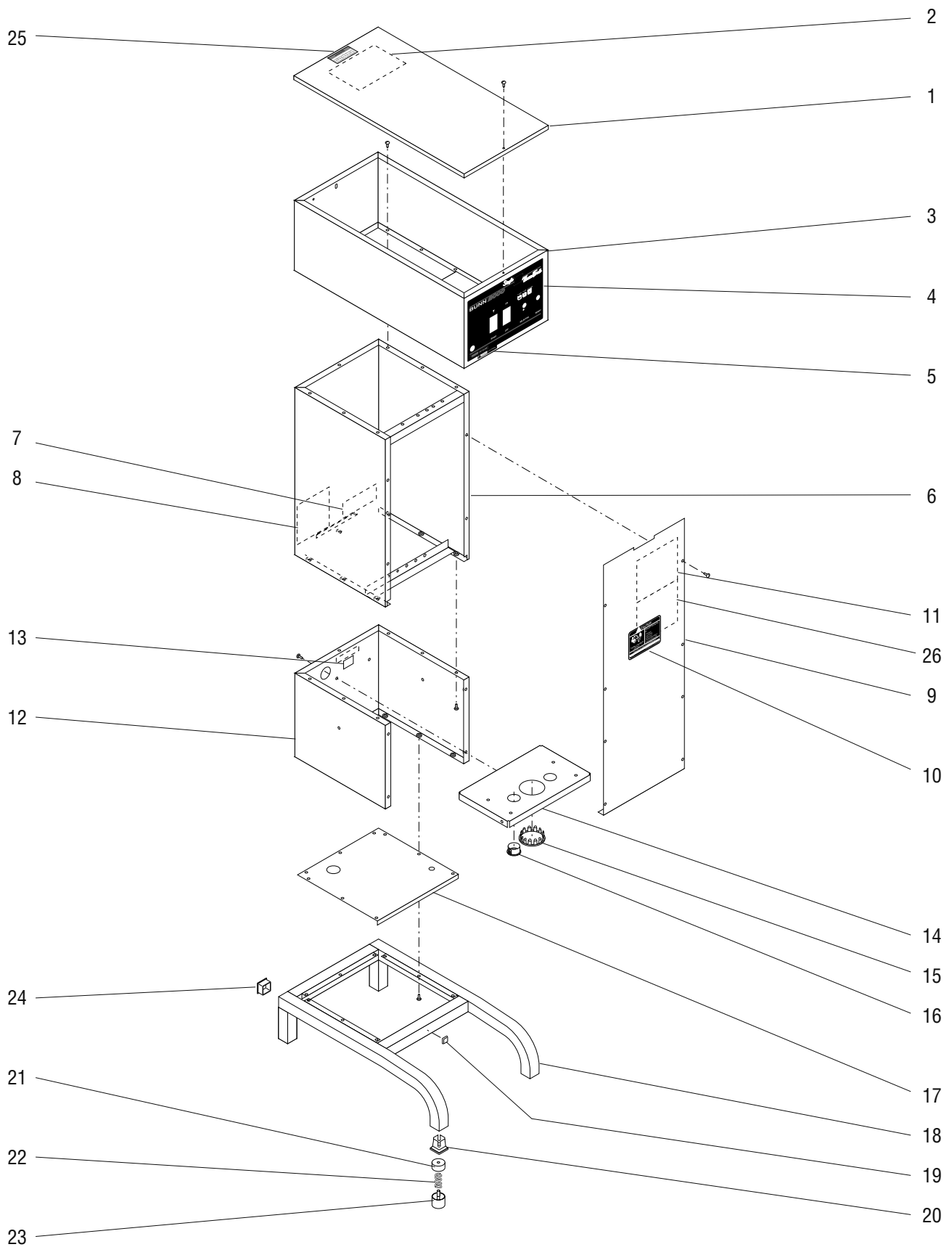
If BUNN determines in its sole discretion that the equipment does not conform to the warranty, BUNN, at its exclusive option while the equipment is under warranty, shall either 1) provide at no charge replacement parts and/or labor (during the applicable parts and labor warranty periods specified above) to repair the defective components, provided that this repair is done by a BUNN Authorized Service Representative; or 2) shall replace the equipment or refund the purchase price for the equipment.

THE BUYER'S REMEDY AGAINST BUNN FOR THE BREACH OF ANY OBLIGATION ARISING OUT OF THE SALE OF THIS EQUIPMENT, WHETHER DERIVED FROM WARRANTY OR OTHERWISE, SHALL BE LIMITED, AT BUNN'S SOLE OPTION AS SPECIFIED HEREIN, TO REPAIR, REPLACEMENT OR REFUND.

In no event shall BUNN be liable for any other damage or loss, including, but not limited to, lost profits, lost sales, loss of use of equipment, claims of Buyer's customers, cost of capital, cost of down time, cost of substitute equipment, facilities or services, or any other special, incidental or consequential damages.

TABLE OF CONTENTS

Base - Trunk - Hood - Covers & Panels	4
Digital Brewer Control Assembly	12
Dispense Valve and Sprayhead (Prior to serial # SNG0005000)	24
Dispense Valve and Sprayhead (Serial # SNG0005000 and up)	26
Electrical Controls & Ready Light	30
Faucet	28
Funnel	32
Numerical Index.....	34
Strainer/Flow Control - Solenoid & Lines.....	18
Tank and Mounting Brackets	16
Tank Heater & Overflow Protection Devices	14
Triple Set Timers & Electronic Control.....	10
Triple Set Timers & Mechanical Thermostat	8
Water By-Pass (Prior to serial # SNG0005000)	20
Water By-Pass (Serial # SNG0005000 and up	22

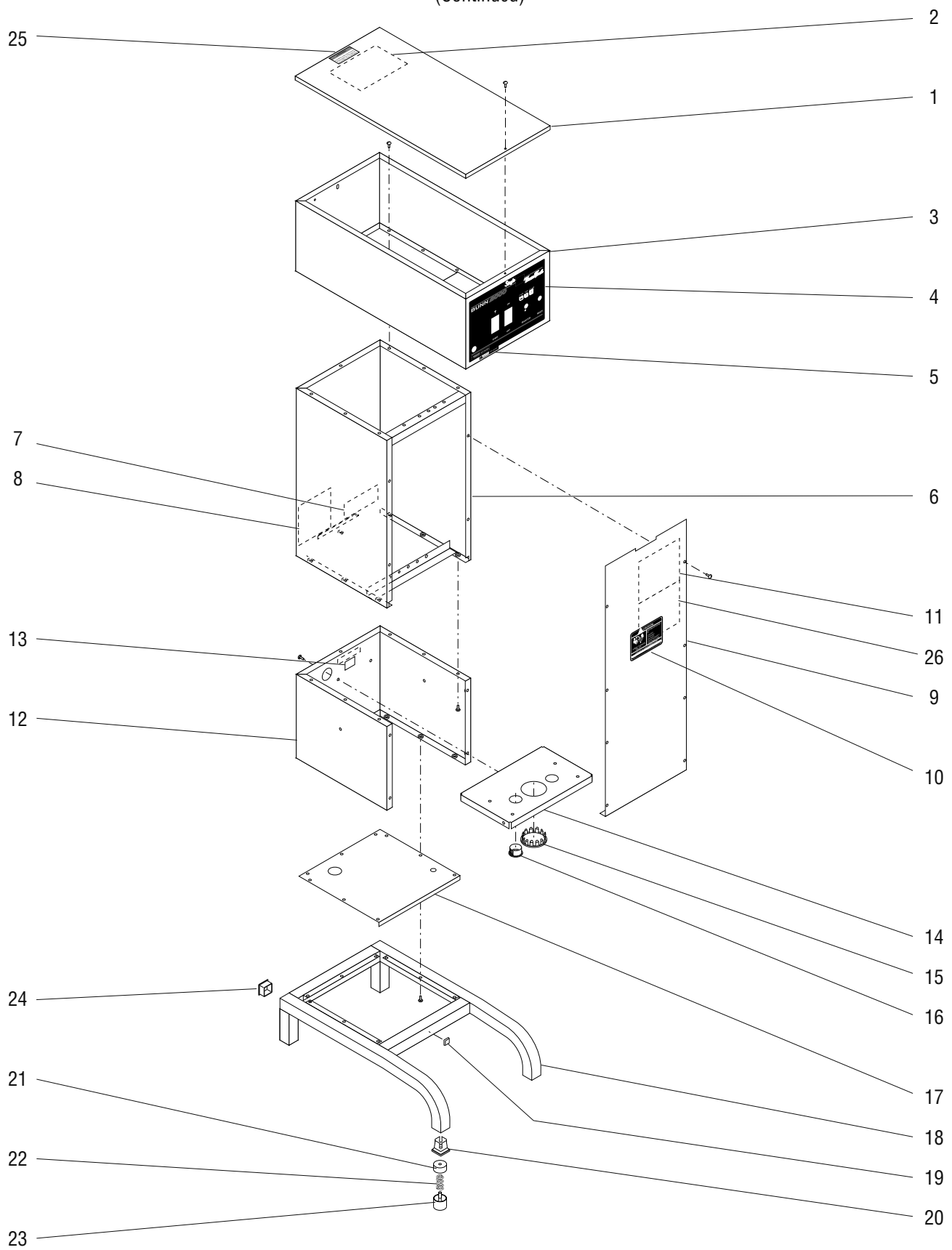


BASE - TRUNK - HOOD - COVERS & PANELS

ITEM	PART NO.	QTY.	DESCRIPTION	
1	25766.0000	1	Cover, Top (Includes item 2 & 25) (Shown)	
	25756.0000	1	Cover, Top (Includes item 2 & 25) (Models with DBC)	
	02336.0000	1	Screw, Truss Head #4-40 x .375"	
2	25151.0000	1	Shield, Insulator	
3	26306.0000	1	Hood W/Decals (Models with Faucet)	Includes item 4
	26306.0001	1	Hood W/Decals (Models W/O Faucet)	
	02308.0000	7	Screw, Pan Head #8-32 x .375"	
4	23024.0005	1	Decal, Control Panel (Models with Faucet)	
	23024.0006	1	Decal, Control Panel (Models W/O Faucet)	
5	20201.5600	1	Decal, Caution Hot Water (Early Brewers only)	
6	23418.0000	1	Trunk W/Decals (Includes items 7 & 8)	
7	00656.0000	1	Decal, Comply to Plumbing Code	
8	00831.0000	1	Decal, Warning - Electrical	
9	26307.0000	1	Panel W/Decals, Trunk (120/208V & 120/240V Models with Mechanical Thermostat) (Includes items 10 & 11)	(Prior to Serial # SNG0005000)
	26307.0001	1	Panel W/Decals, Trunk (120/208V & 120/240V Models with Electronic Control) (Includes items 10 & 11)	
	26307.0003	1	Panel W/Decals, Trunk (120/208V & 120/240V Models with Mechanical Thermostat) (Includes items 10 & 11)	
	26307.0004	1	Panel W/Decals, Trunk (120/208V & 120/240V Models with Electronic Control) (Includes items 10 & 11)	(Serial # SNG0005000 and up)
	26307.0005	1	Panel W/Decals, Trunk (120/208V & 120/240V Brewers W/DBC) (Includes items 9 & 10)	
	26307.0002	1	Panel W/Decals, Trunk (200V - 240V) (Includes items 10)	
	01382.0003	8	Screw, Truss Head #6-32 x .375"	
10	00658.0000	1	Decal, Caution - Decanter/Funnel	
11	10697.0000	1	Schematic (120/208V & 120/240V W/ Mech. Thermostat)	(Prior to Serial # SNG0005000)
	10706.0000	1	Schematic (120/208V & 120/240V W/Electronic Control)	
	26885.0001	1	Schematic (120/208V & 120/240V W/ Mech. Thermostat)	
	26885.0000	1	Schematic (120/208V & 120/240V W/Electronic Control)	(Serial # SNG0005000 and up)
	10851.0000	1	Schematic (120/208V & 120/240V W/DBC)	
12	26308.0000	1	Spacer W/Decals, Trunk (Includes item 13)	
	02308.0000	7	Screw, Pan Head #8-32 x .375"	
13	02822.0000	1	Decal, Auxiliary Outlet	
14	26207.0000	1	Plate, Tank Mounting	
	02308.0000	5	Screw, Pan Head #8-32 x .375"	
15	00619.0008	1	Plug, Hole 2.0" Dia.	
16	03011.0000	2	Plug, Vent 1.0" Dia.	
17	26198.0000	1	Plate, Base	
18	26309.0000	1	Base Assy (Includes items 19 thru 24)	
	02308.0000	9	Pan Head #8-32 x .375"	

(Continued)

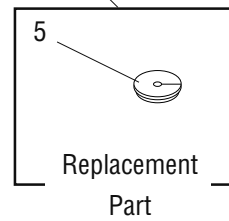
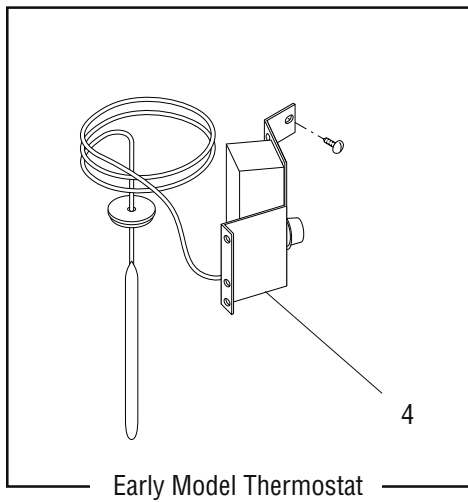
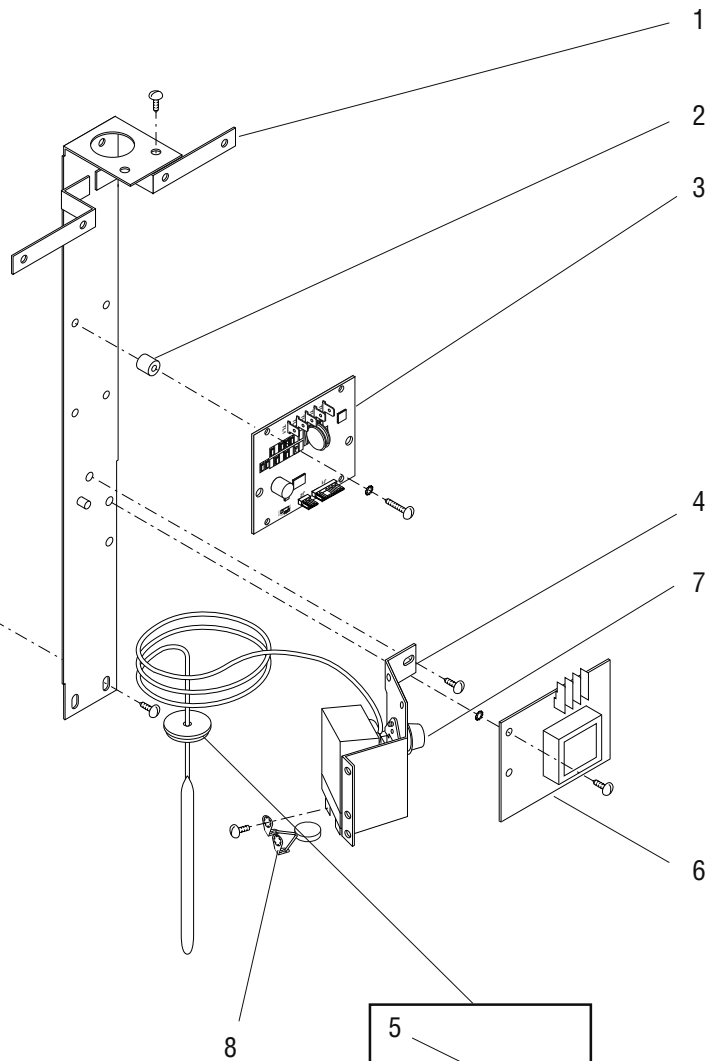
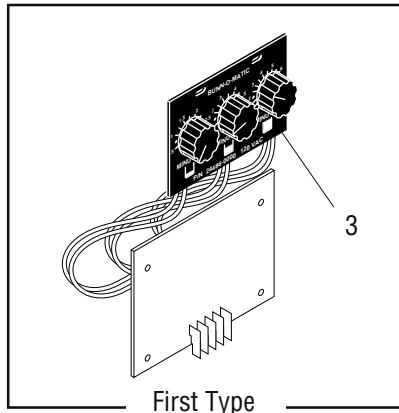
(Continued)



P763

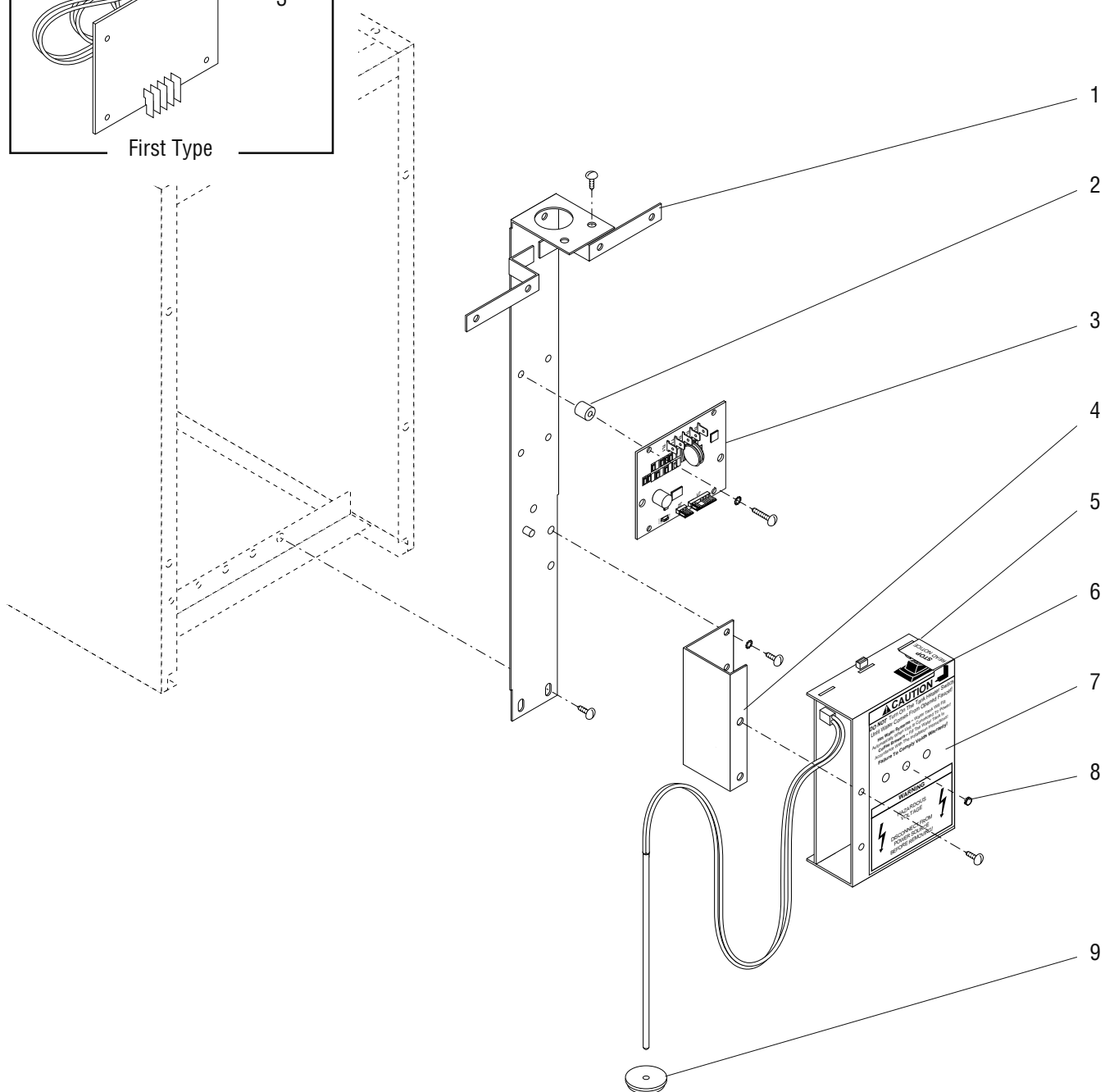
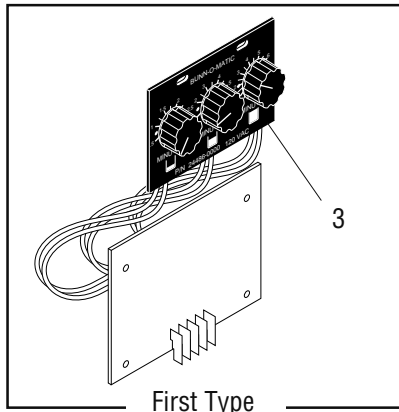
BASE - TRUNK - HOOD - COVERS & PANELS

ITEM	PART NO.	QTY.	DESCRIPTION
19	26173.0000	2	Bumper
20	26343.0000	4	Foot Insert
21	00752.0000	4	Foot Cover
22	00751.0000	4	Spring
23	00754.0001	4	Foot/Locator
24	26196.0000	2	Plug
25	10044.0000	1	Decal, Warning "Shut Off Power"
26	32540.0000	1	Decal, Timer Setting



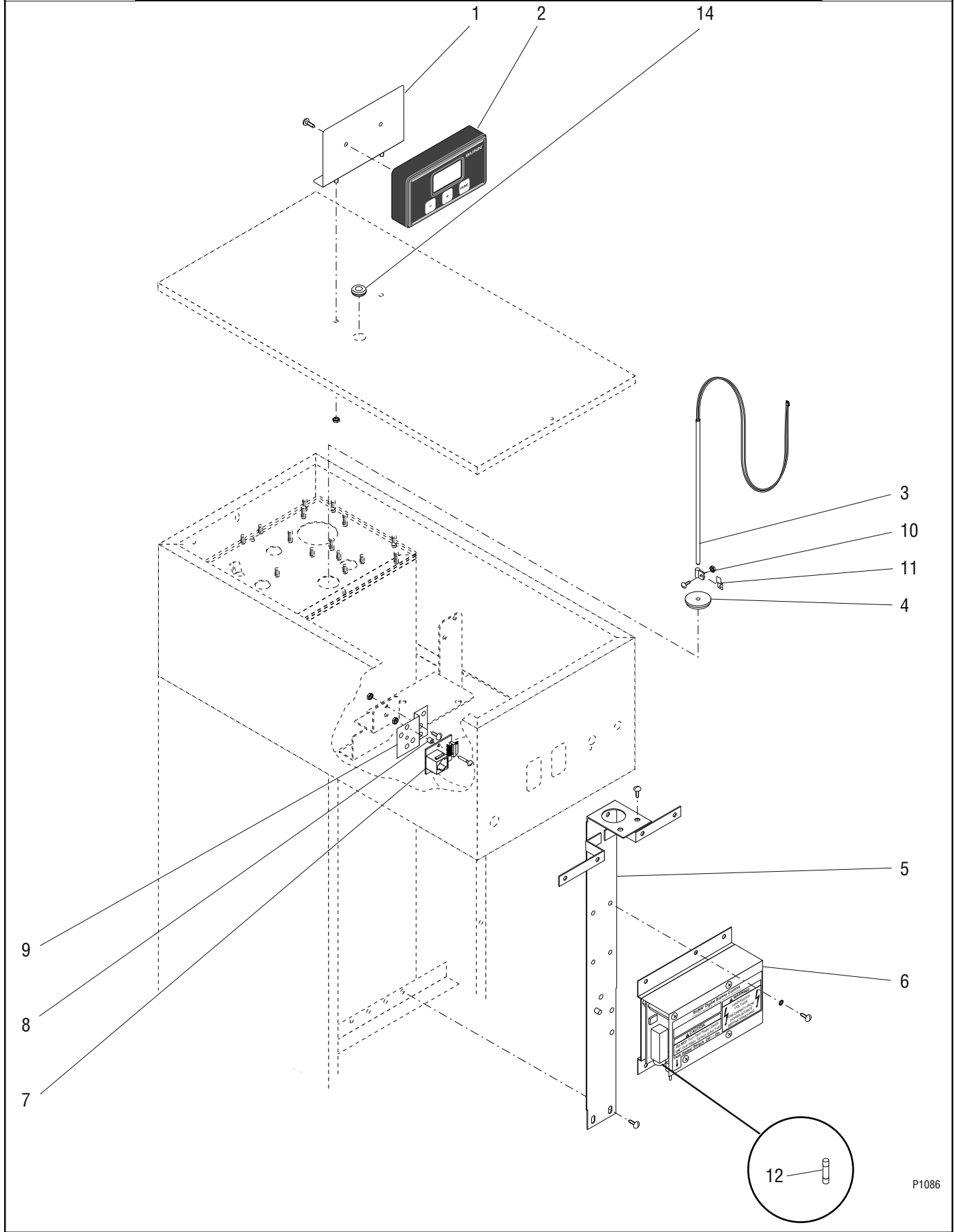
TRIPLE SET TIMER & MECHANICAL THERMOSTAT

ITEM	PART NO.	QTY.	DESCRIPTION
1	20948.0001	1	Bracket, Component Mounting
	02308.0000	4	Screw, Pan Head #8-32 x .375"
2	01533.0000	2	Spacer, Nylon .375"
3	24486.1000	1	Timer, Triple (120/208V & 120/240V Models)(First Type)
	32400.0002	1	Timer, Difital 120V
	32400.0003	1	Timer, Digital 240V
	01347.0000	2	Screw, Truss Head #6-32 x .375" (Not used with Digital Timer)
	01510.0000	2	Lockwasher, External Tooth #6
	01388.0000	2	Screw, Truss Head #6-32 x .75"
	12919.0008	1	Cap, Terminal (Not illustrated)
4	04314.0001	1	Thermostat Kit (Includes items 5 & 7)(Late Models)(Also replaces early model thermostats)
	02308.0000	1	Screw, Pan Head #8-32 x .375"
	20762.0000	2	Screw, Binding Head #8-32 x .25" (Terminal Screws)
5	07073.0000	1	Grommet, Thermostat
6	07074.1026	1	Control Board, Level (120/208V & 120/240V Models)
	02308.0000	2	Screw, Pan Head #8-32 x .375"
	01511.0000	2	Lockwasher, External Tooth #8
7	00720.0000	1	Knob, Thermostat
8	28377.0000	1	Noise Suppressor (Not used with Digital Timer)



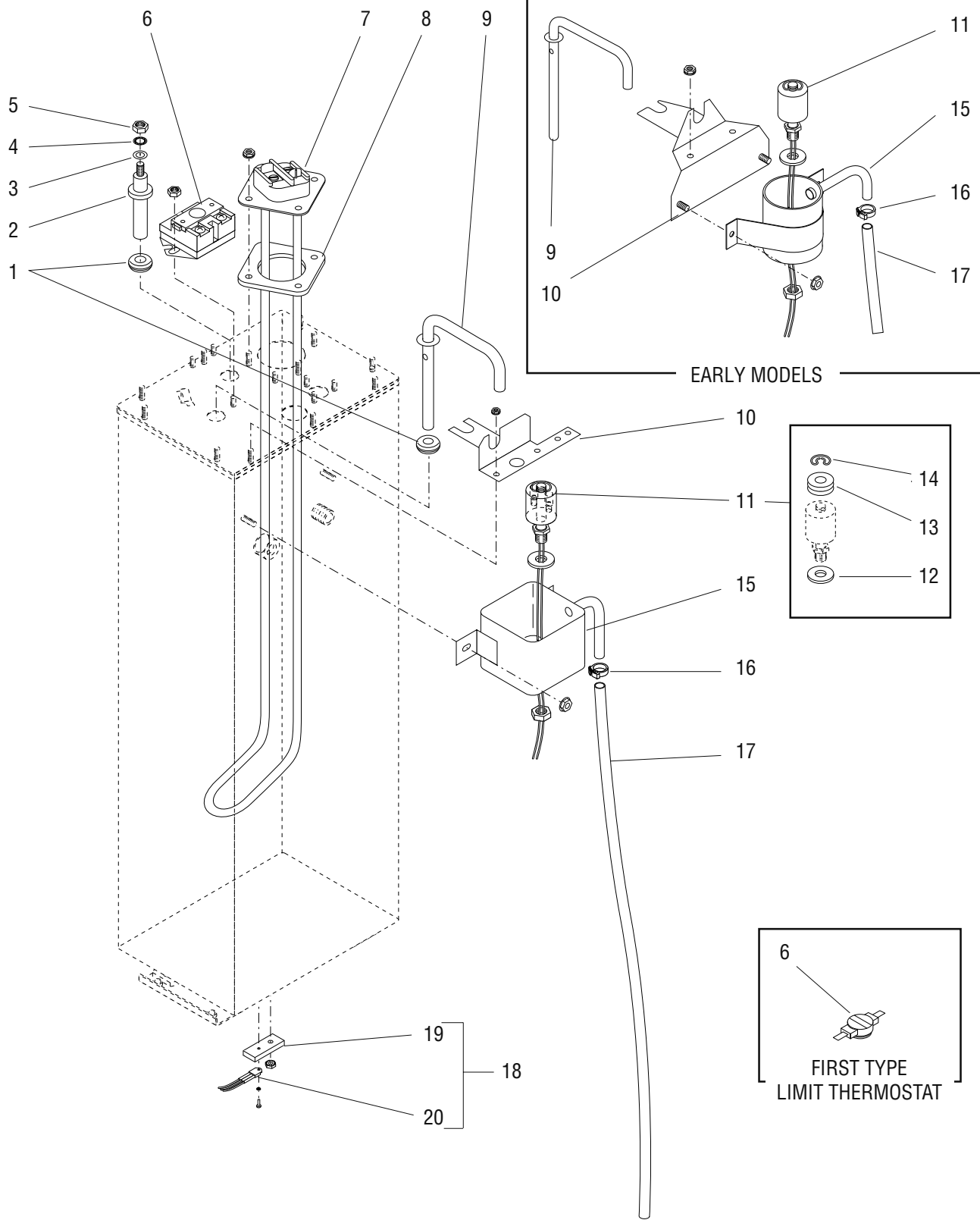
TRIPLE SET TIMER & ELECTRONIC CONTROL

ITEM	PART NO.	QTY.	DESCRIPTION
1	20948.0001	1	Bracket, Component Mounting
	02308.0000	4	Screw, Pan Head #8-32 x .375"
2	01533.0000	2	Spacer, Nylon .375"
3	24486.1000	1	Timer, Triple (120/208V & 120/240V Models)
	24486.1001	1	Timer, Triple (240V Models)
	32400.0002	1	Timer, Difital 120V
	32400.0003	1	Timer, Digital 240V
	01347.0000	2	Screw, Truss Head #6-32 x .375" (Not used with Digital Timer)
	01510.0000	2	Lockwasher, External Tooth #6
	01388.0000	2	Screw, Truss Head #6-32 x .75"
4	21122.0000	1	Bracket, Electronic Control Mounting
	02308.0000	2	Screw, Pan Head #8-32 x .375"
5	12560.1018	1	Control Assy, Electronic (Includes items 6 thru 9)
	02308.0000	2	Screw, Pan Head #8-32 x .375"
6	04786.0002	1	Switch, On/Off
7	12559.0000	1	Decal, Caution/Warning
8	00619.0002	1	Plug, Hole .250" Dia.
9	12570.0000	1	Grommet, Temp. Sensor



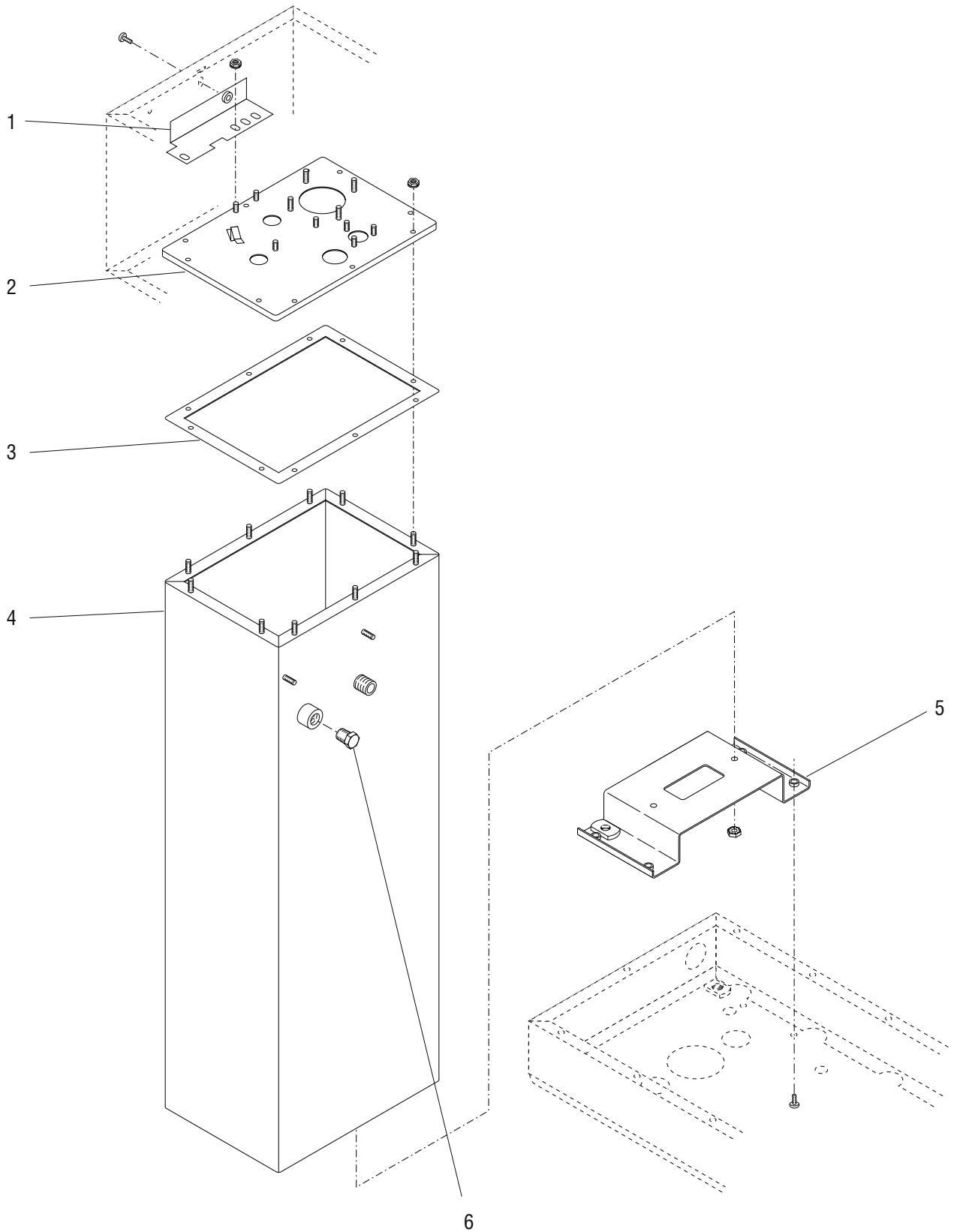
DIGITAL BREWER CONTROL ASSMBLY

ITEM	PART NO.	QTY.	DESCRIPTION
1	25648.0000	1	Bracket, Mounting
	00970.0000	2	Nut, Keps #8-32
2	25654.0000	1	DBC Display Assembly
	02328.0003	2	Screw, Pan Head #6-32 x .312"
3	12568.0003	1	Sensor, Temperature
4	12570.0000	1	Grommet, Silicone .437" I.D.
5	20948.0001	1	Bracket, Component Mounting
	02308.0000	4	Screw, Pan Head #8-32 x .375"
6	25468.0000	1	DBC Power Board Assembly (Includes item 12)
	02308.0000	2	Screw, Pan Head #8-32 x .375"
7	25513.0000	1	Receptacle, Display
	01388.0000	2	Screw, Truss Head #6-32 x .75"
	00973.0000	2	Nut, Keps #6-32
8	01533.0000	2	Spacer, Nylon .375"
9	07441.0000	1	Bracket, Mounting
	01347.0000	2	Screw, Truss #6-32 x .375"
	00973.0000	2	Nut, Keps #6-32
10	26263.0000	1	Clamp, Steel .12"/.19"
	01382.0000	1	Screw, Truss Head #6-32 x .375"
	00973.0000	1	Nut, Keps #6-32
11	01667.0000	1	Terminal .25
12	27035.0000	1	Fuse, AGC 5 AMP 250V
13	25662.0000	1	Cord Assembly, Display 12.0" (Not illustrated)
14	07075.0000	1	Grommet



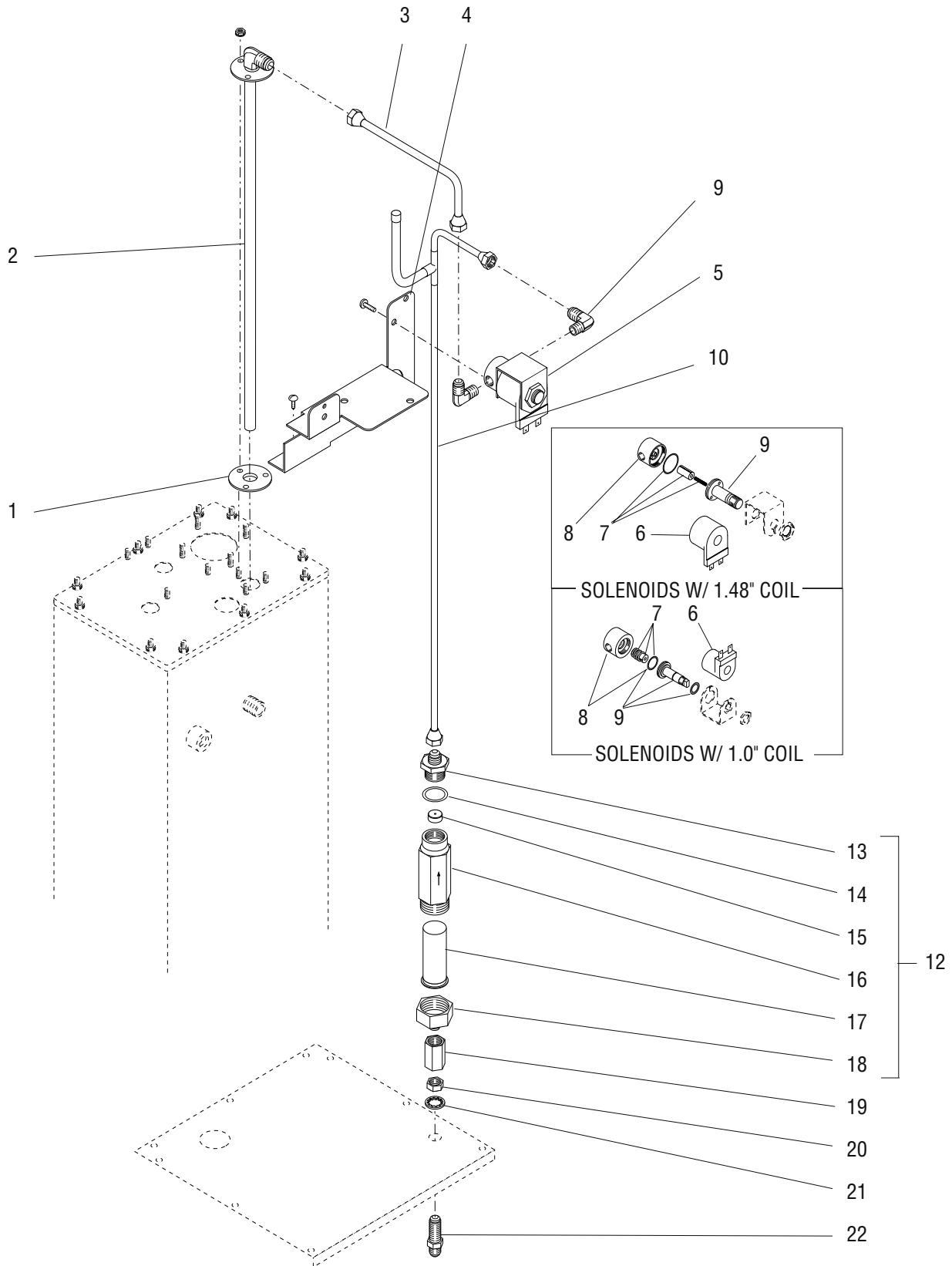
TANK HEATER & OVERFLOW PROTECTION DEVICES

ITEM	PART NO.	QTY.	DESCRIPTION	
1	02536.0000	2	Grommet .375" I.D. (1additional used with First Type Bracket)	
2	20936.1000	1	Probe Kit (Includes items 3, 4 & 5)	
3	01501.0000	1	Washer .164" I.D. x .375" O.D.	
4	20203.0100	1	Lockwasher, Internal Tooth #8	
5	00908.0000	1	Nut, Hex #8-32	
6	04680.0000	1	Thermostat, Limit (Prior to Serial # SNG0005000)	
	23717.0001	1	Thermostat, Limit (Serial # SNG0005000 and up)	
	00932.0000	2	Spacer, Hex #10-32 (Serial # SNG0005000 and up)	
7	20922.1003	1	Tank Heater, 3700W @ 208V	Includes item 8
	12322.1000	1	Tank Heater, 4000W @ 240V	
	00908.0000	4	Nut, Hex #8-32	
8	12398.0002	1	Gasket, Tank Heater	
9	-----	1	Tube Assy, Vent (First type. Not available order item 23)	
	26622.0001	1	Tube Assy, Vent (Second type)	
10	-----	1	Bracket, Overflow Cup Mounting (First type. Not available order item 23)	
	27473.0000	1	Bracket, Overflow Cup Mounting (Second type)	
11	03803.0000	1	Switch Assy, Liquid Level (Includes items 12, 13 & 14)	
	00946.0000	1	Nut, Hex .125" FPT	
12	03633.0000	2	Gasket, Float Switch (Only 1 used in this application)	
13	-----	3	Washer, Adjusting (DO NOT USE IN THIS APPLICATION)	
14	03807.0000	1	Clip, Spring	
15	-----	1	Overflow Cup Assy (First type. Order item 23)	
	22728.0000	1	Overflow Cup Assy (Second type)	
	00971.0000	2	Nut, Kep #10-32	
16	12422.0000	1	Clamp, Hose .47"/.54" I.D.	
17	-----	1	Tube, Silicone .312" I.D. x 21.50" (Order item 22)	
18	12527.0001	1	Triac/Heat Sink Assy (Includes items 19, 20 & 21) (Brewers with Electronic Control only)	Brewers with Electronic Control or DBC only
	12527.0008	1	Triac/Heat Sink Assy (Includes items 19, 20 & 21) (Brewers with DBC only)	
	00971.0000	1	Nut, Keps #10-32	
19	12561.0000	1	Heat Sink, Copper	
20	12565.0002	1	Triac Assy, 40 AMP (Brewers with Electronic Control)	
	12565.0008	1	Triac Assy, 40 AMP (Brewers with DBC)	
	02328.0003	1	Screw, Pan Head #6-32 x .312"	
	01520.0000	1	Lockwasher, Split #6	
21	M2522.1000	-	Heat Sink Compound	Not Illustrated
22	03236.1001	-	Tube, Silicone .312" I.D. x 36.0"	
	03236.1003	-	Tube, Silicone .312" I.D. x 60.0"	
	03236.1002	-	Tube, Silicone .312" I.D. x 120.0"	
23	27461.0000	-	Kit, Square Overflow Cup	



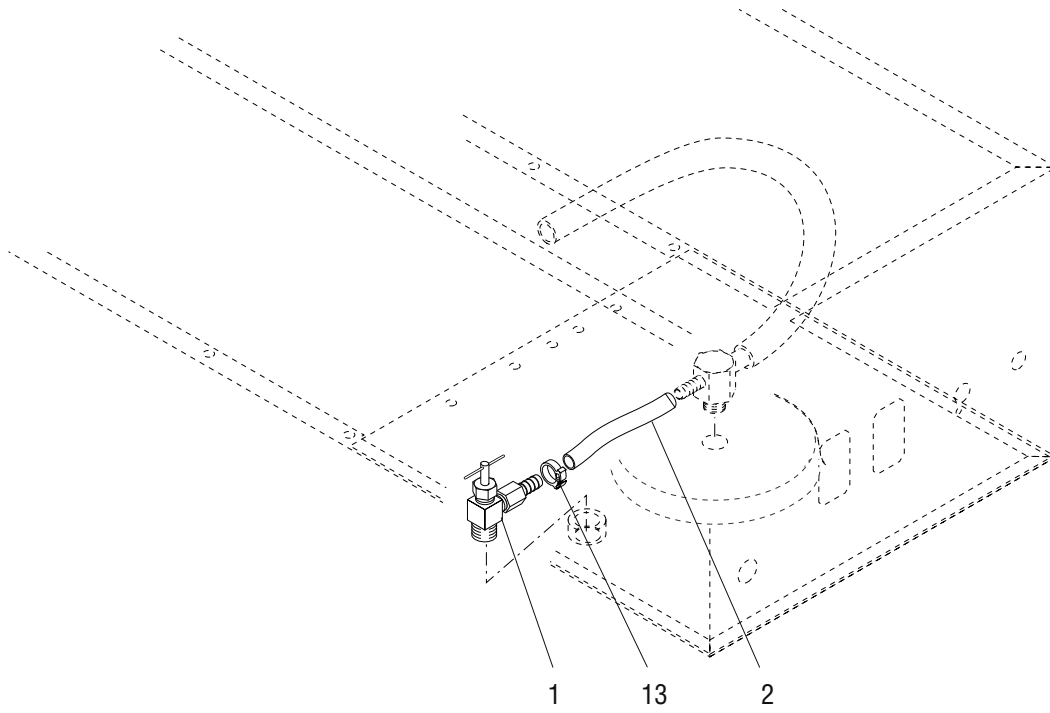
TANK AND MOUNTING BRACKETS

ITEM	PART NO.	QTY.	DESCRIPTION
1	-----	1	Bracket, Tank Support (Top)(Early Models. Not Available, Order 28909.0000)
	28909.0000	1	Bracket, Tank Support (Top)(Late Models)
	02308.0000	1	Screw, Pan Head #8-32 x .375"
	00908.0000	2	Nut, Hex #8-32
2	22976.0000	1	Lid, Tank
	00908.0000	10	Nut, Hex #8-32
3	22978.0000	1	Gasket, Tank
4	23324.1000	1	Tank
5	23193.0000	1	Bracket, Tank Mounting (Bottom)
	00971.0000	2	Nut, Keps #10-32
	02308.0000	4	Screw, Pan Head #8-32 x .375"
6	20201.6001	1	Plug, Pipe .25" NPT (Not used with faucet models)
7	M2517.0000	-	Sealant, Pipe 6 ml (Not illustrated)



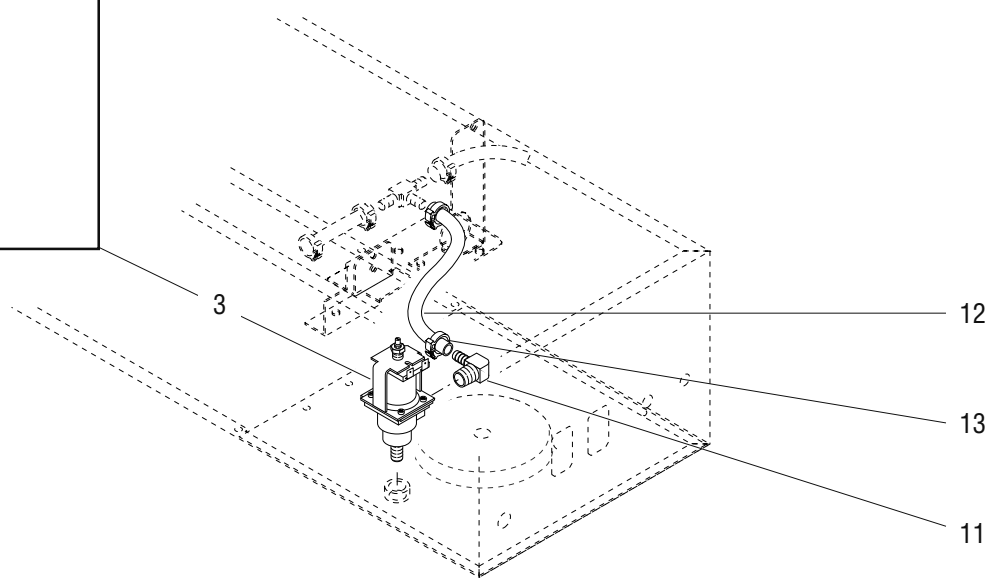
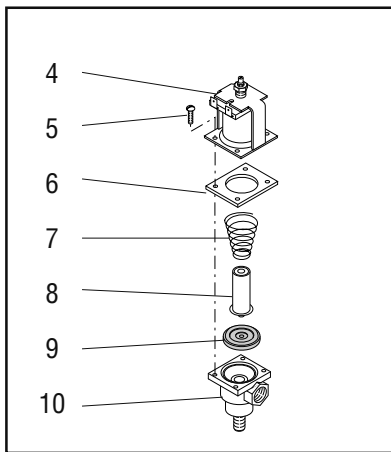
STRAINER/FLOW CONTROL - SOLENOID AND LINES

ITEM	PART NO.	QTY.	DESCRIPTION
1	05515.0000	1	Gasket, Spayhead Tube
2	22992.0001	1	Tube, Tank Fill
	00908.0000	3	Nut, Hex #8-32
3	21812.0007	1	Tube Assy, Solenoid to Tank (Includes Nuts)
4	23015.0000	1	Bracket, Upper Component
	02308.0000	3	Screw, Pan Head #8-32 x .375"
5	-----	1	Solenoid Valve Assy, 120V - 1.48" Dia Coil (Not Available. Order 01085.0002)
	01085.0002	1	Solenoid Valve Assy, 120V - 1.0" Dia Coil
	01975.0000	1	Solenoid Valve Assy, 240V - 1.48" Dia Coil
	01327.0000	2	Screw, Pan Head #10-32 x .375"
	01502.0000	2	Lockwasher, Split #10
6	01101.0000	1	Solenoid Valve Coil, 120V - 1.48" Dia Coil
	28480.0000	1	Solenoid Valve Coil, 120V - 1.0" Dia Coil
	01100.0000	1	Solenoid Valve Coil, 240V - 1.48" Dia Coil
7	01111.0000	1	Solenoid Valve Repair Kit - 1.48" Dia Coil (Includes Plunger, Seal and Spring)
	01111.0002	1	Solenoid Valve Repair Kit - 1.0" Dia Coil (Includes Plunger, Spring and O-ring)
8	01079.0000	1	Solenoid Valve Base - 1.48" Dia Coil
	28479.0000	1	Solenoid Valve Base Kit - 1.0" Dia Coil (Includes O-ring)
9	01116.0000	1	Guide - 1.48" Dia Coil
	28481.0000	1	Guide - 1.0" Dia Coil
10	00400.0001	2	Elbow, Male .250" Flare x .125" MPT
11	26201.0000	1	Tube Assy, Bulkhead to Solenoid (Includes Nuts)
12	-----	1	Strainer/Flow Control Assy (.330 GPM) (Early Brewers order
			.500 GPM Strainer/Flow Control Assy)
	22300.0500	1	Strainer/Flow Control Assy (.500 GPM) (Late Brewers)
			} Includes items 13 thru 18
13	01154.0000	1	Flow Control Outlet
14	01155.0000	1	Flow Control Gasket
15	20526.1330	1	Flow Washer/Gasket Set .330 GPM (Includes item 14)
	20526.1500	1	Flow Washer/Gasket Set .500 GPM (Includes item 14)
16	-----	1	Body (Not available order item 12)
17	23721.0000	1	Screen
18	22249.0000	1	End Cap
19	24614.0001	1	Union, .25" FFL x .25" FFL
20	00463.0000	1	Nut, Hex .438" - 20
21	01532.0000	1	Lockwasher, Internal Tooth .438" I.D.
22	00459.0000	1	Bulkhead Fitting .250" Flare



MECHANICAL TYPE

P293



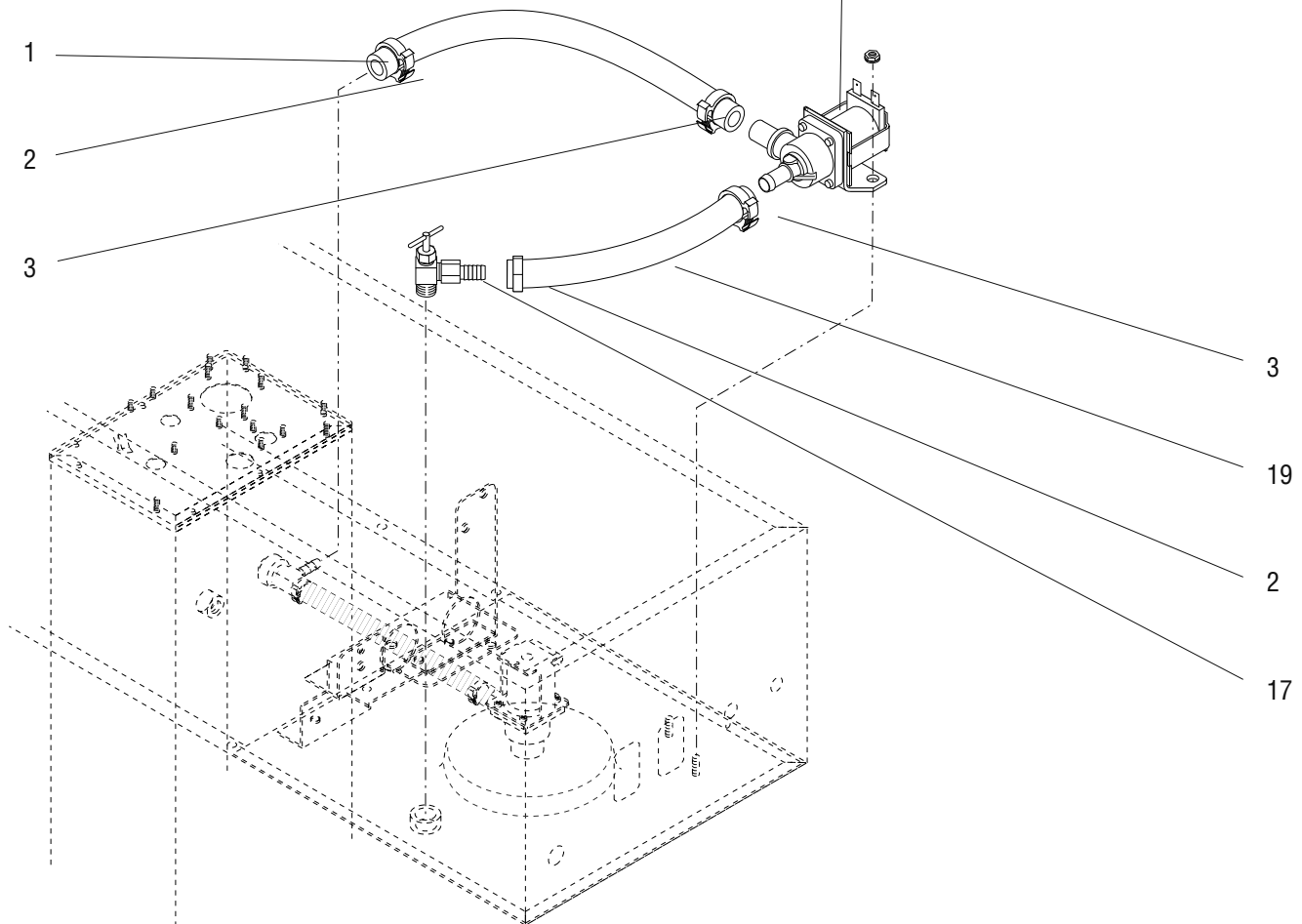
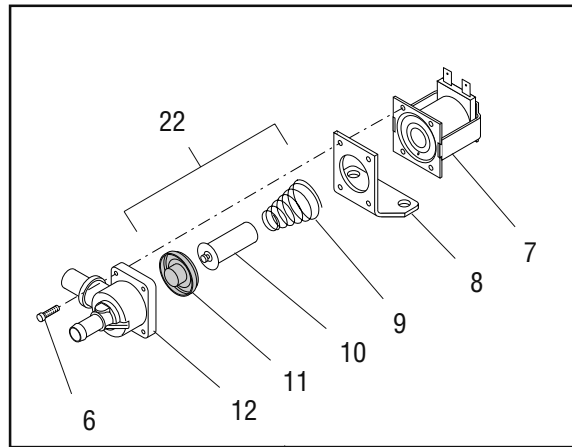
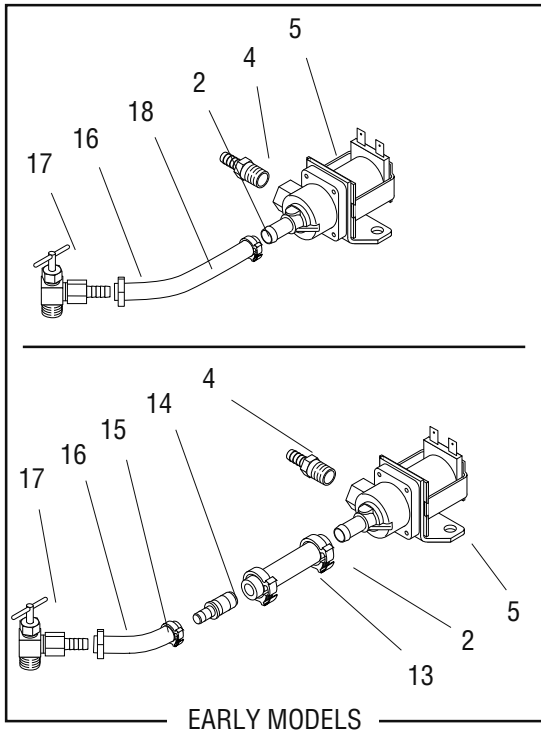
ELECTRO / MECHANICAL TYPE

P767

WATER BY-PASS (Prior to Serial # SNG0005000)

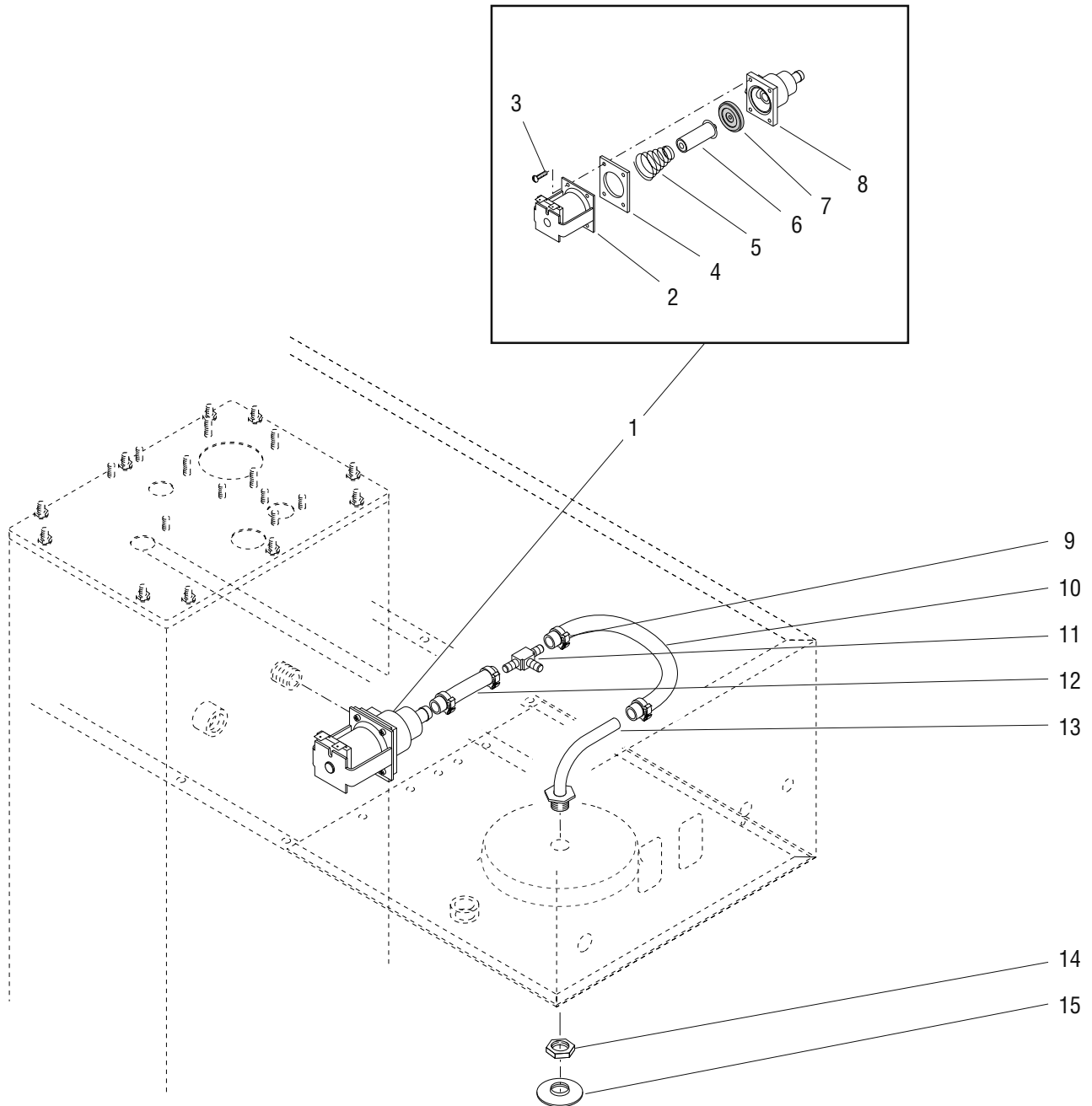
ITEM	PART NO.	QTY.	DESCRIPTION
1	20945.0001	1	Valve Assy, Needle By-Pass
2	-----	1	Tube, Silicone .25" I.D. x .50" x 2.60" (Order item 14)
3	23849.0000 23849.0002	1 1	By-Pass Valve Assy, 120V By-Pass Valve Assy, 240V
			Includes items 4 thru 10
4	24298.0000 24298.0001	1 1	Coil Assy, By-Pass Valve 120V Coil Assy, By-Pass Valve 240V
5	23254.0000	4	Screw #8-32
6	23256.0000	1	Spacer Plate
7	-----	1	Spring (Not available separately order item 16)
8	-----	1	Plunger (Not available separately order item 16)
9	23255.0000	1	Diaphragm
10	-----	1	Body (Not available separately order item 3)
11	20201.1601	1	Elbow, 90° .375" Barb x .25" MPT
12	-----	1	Tube, Silicone .375" I.D. x .62" O.D. x 8.50" (Order item 15)
13	12422.0000 12422.0001	2 2	Clamp, Hose .47"/.54" I.D. (Use with .25" I.D. tube) Clamp, Hose .59"/.66" I.D. (Use with .375" I.D. tube)
14	11707.1000 11707.1001 11707.1002	1 1 1	Tube, Silicone .25" I.D. x .50" O.D. x 12.0" Tube, Silicone .25" I.D. x .50" O.D. x 36.0" Tube, Silicone .25" I.D. x .50" O.D. x 120.0"
15	20976.1000 20976.1001 20976.1002	1 1 1	Tube, Silicone .375" I.D. x .62" O.D. x 12.0" Tube, Silicone .375" I.D. x .62" O.D. x 36.0" Tube, Silicone .375" I.D. x .62" O.D. x 120.0"
16	11517.0008	-	Valve Repair Kit (Includes one each of items 7, 8 & 9)

Not Illustrated



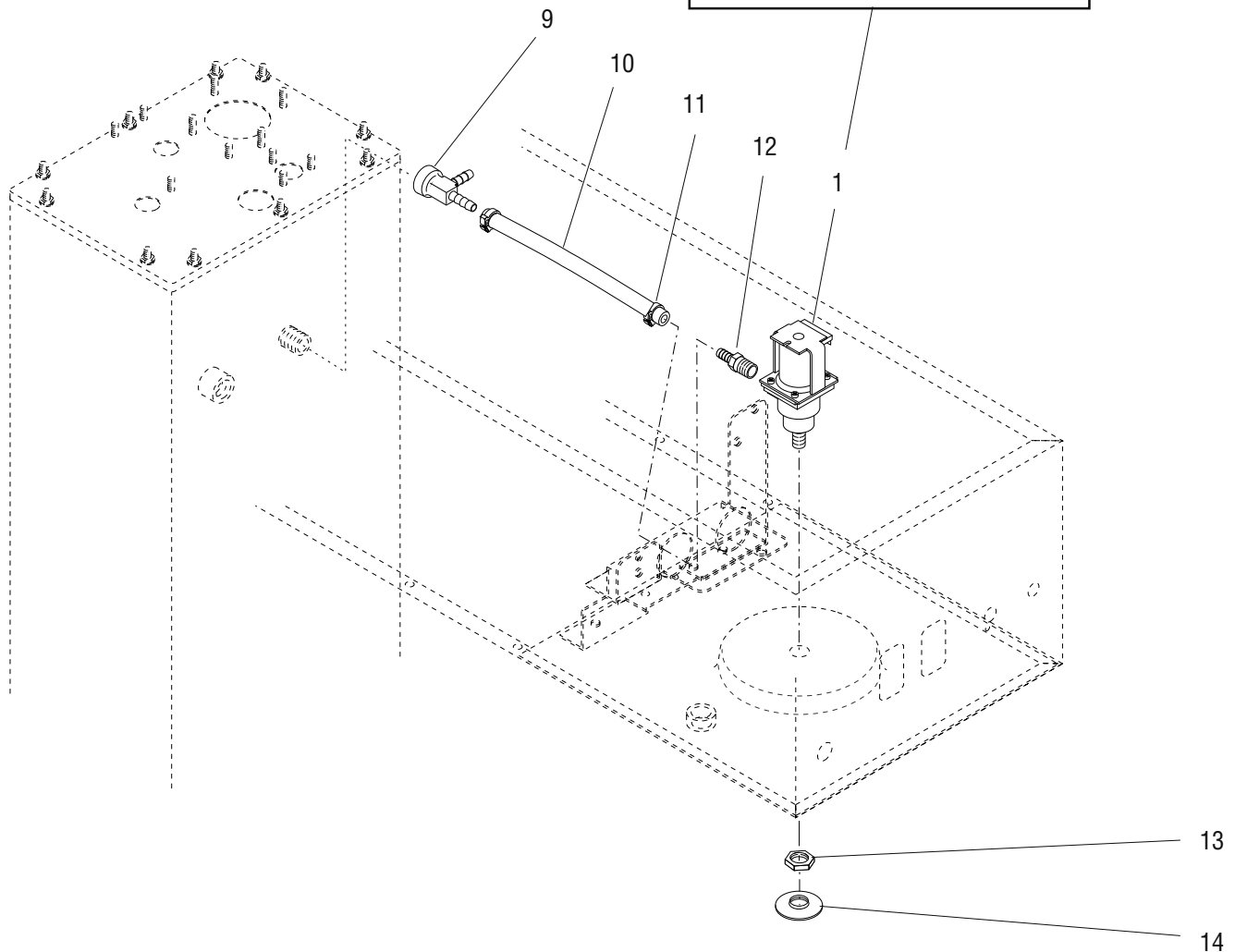
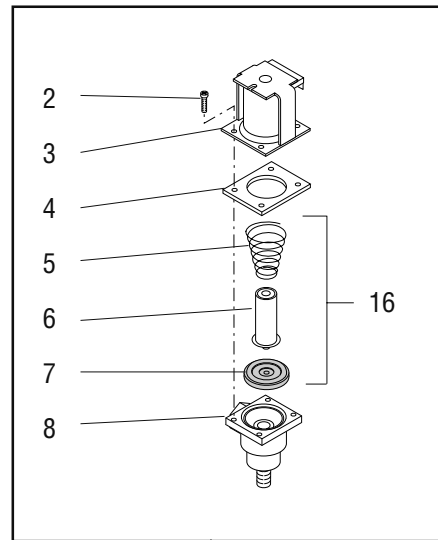
WATER BY-PASS (Serial # SNG0005000 and up)

ITEM	PART NO.	QTY.	DESCRIPTION			
1	-----	1	Tube, Silicone .375" I.D. x .62" O.D. x 9.50" (Order item 21)			
2	12422.0001	2	Clamp, Hose .59"/.66" I.D. (2 additional used on early models)			
3	12422.0005	2	Clamp, Hose .62"/.71" I.D. (Late models only)			
4	21136.0001	1	Fitting, Barb .375" x .25" MPT (Early models only)			
5	-----	1	Valve Assy, By-Pass 120V	} Early models. Not available order late model valve assy	} Includes items 6 thru 12	
	-----	1	Valve Assy, By-Pass 200V			
	-----	1	Valve Assy, By-Pass 220/240V	} Late models		
	27370.0000	1	Valve Assy, By-Pass 120V			
	27370.0001	1	Valve Assy, By-Pass 200V			
	27370.0002	1	Valve Assy, By-Pass 220/240V			
	00970.0000	2	Nut, Keps #8-32			
6	-----	4	Screw #8-32			
7	22305.0000	1	Coil Assy, By-Pass Valve 120V	} Early models		
	22305.0001	1	Coil Assy, By-Pass Valve 200V			
	22305.0002	1	Coil Assy, By-Pass Valve 220/240V			
	-----	1	Coil Assy, By-Pass Valve 120V	} Late models. Not available order 5		
	-----	1	Coil Assy, By-Pass Valve 200V			
	-----	1	Coil Assy, By-Pass Valve 220/240V			
8	-----	1	Bracket (Not available order item 5)			
9	-----	1	Spring (Not available order item 22)			
10	-----	1	Plunger (Not available order item 22)			
11	23255.0000	1	Diaphragm			
12	-----	1	Body (Not available order item 5)			
13	-----	1	Tube, Silicone .375" I.D. x .62" O.D. x 2.0" (Order item 21)	} Early Models only. Can use items 2, 3, 17 & 19		
14	27170.0001	1	Reducer Barb .375" x .25"			
15	-----	1	Tube, Silicone .25" I.D. x .50" O.D. x 2.40" (Order item 20)			
16	12422.0000	2	Clamp, Hose .47"/.54" I.D.			
17	-----	1	Valve Assy, Needle By-Pass .25" Barb (Early models. Use late model valve & item 19)			
	20945.0002	1	Valve Assy, Needle By-Pass .375" Barb (Late models)			
18	-----	1	Tube, Silicone .25" I.D. x .50" O.D. x 4.0" (Early Models. Can use items 2, 3, 17 & 19)			
19	-----	1	Tube, Silicone .375" I.D. x .62" O.D. x 4.75" (Order item 21) (Late models)			
20	11707.1000	1	Tube, Silicone .25" I.D. x .50" O.D. x 12.0"	} Not illustrated		
	11707.1001	1	Tube, Silicone .25" I.D. x .50" O.D. x 36.0"			
	11707.1002	1	Tube, Silicone .25" I.D. x .50" O.D. x 120.0"			
21	20976.1000	1	Tube, Silicone .375" I.D. x .62" O.D. x 12.0"			
	20976.1001	1	Tube, Silicone .375" I.D. x .62" O.D. x 36.0"			
	20976.1002	1	Tube, Silicone .375" I.D. x .62" O.D. x 120.0"			
22	11517.0008	-	Valve Repair Kit (Includes one each of items 9, 10 & 11)			



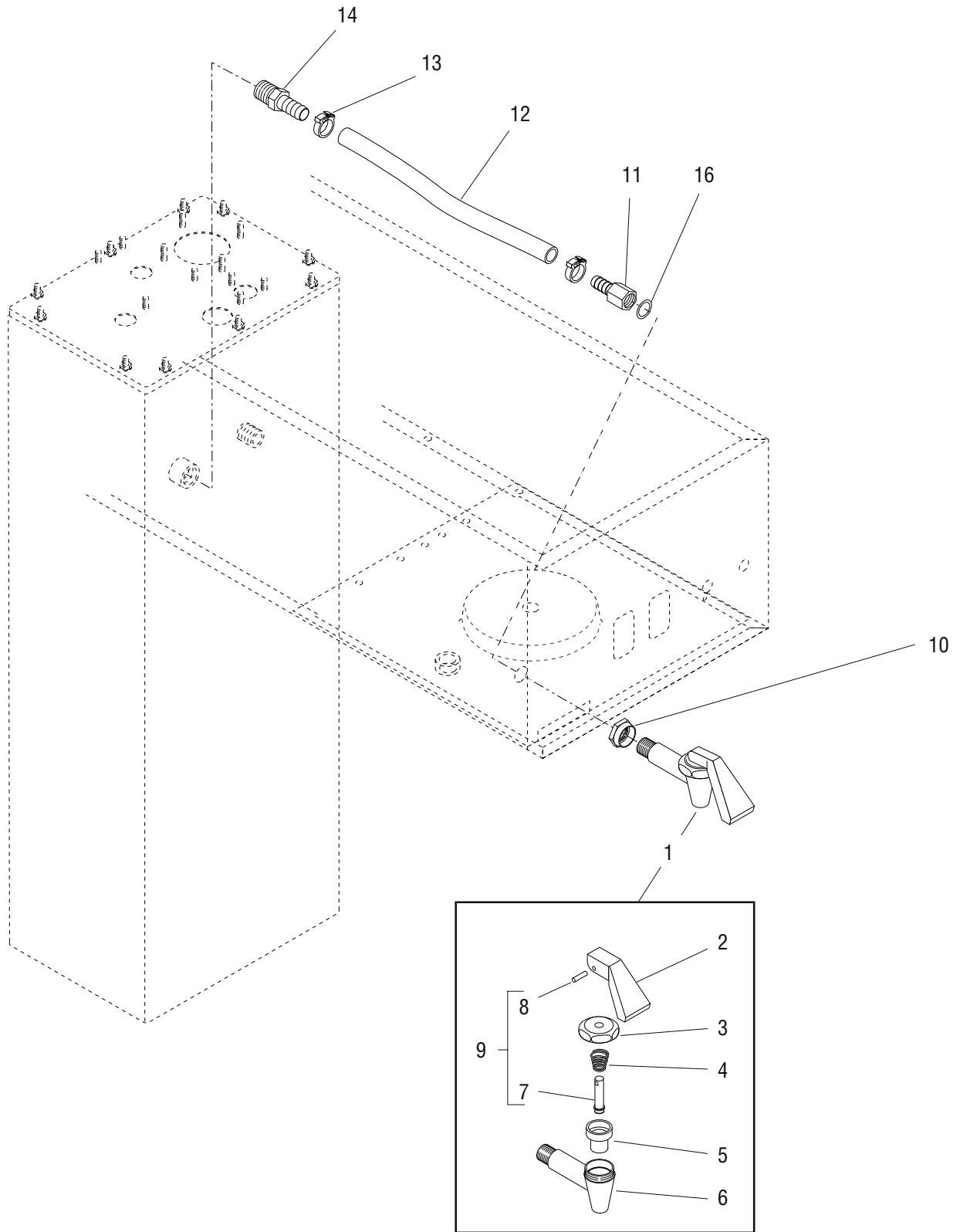
DISPENSE VALVE AND SPRAYHEAD (Prior to Serial # SNG0005000)

ITEM	PART NO.	QTY.	DESCRIPTION
1	20933.0000	1	Dispensing Valve Assy, 120V
	20933.0002	1	Dispensing Valve Assy, 240V
} Includes items 2 thru 8			
2	22305.0000	1	Coil Assy, Dispensing Valve 120V
	22305.0002	1	Coil Assy, Dispensing Valve 240V
3	23254.0000	4	Screw #8-32
4	23256.0000	1	Spacer Plate
5	-----	1	Spring (Not available separately order item 17)
6	-----	1	Plunger (Not available separately order item 17)
7	23255.0000	1	Diaphragm
8	-----	1	Body (Not available separately order item 1)
9	12422.0001	4	Clamp, Hose .59" x .66" I.D.
10	-----	1	Tube, Silicone .38" I.D. x .62" O.D. x 6.50" (Order item 16)
11	06866.0000	1	Fitting, Tee .375" Barb
12	-----	1	Tube, Silicone .38" I.D. x .62" O.D. x 2.25" (Order item 16)
13	25647.0000	1	Tube, Sprayhead
14	01075.0000	1	Nut, Hex .438" - 20
15	01082.0002	1	Sprayhead
16	20976.1000	1	Tube, Silicone .38" I.D. x .62" O.D. x 12.0"
	20976.1001	1	Tube, Silicone .38" I.D. x .62" O.D. x 36.0"
	20976.1002	1	Tube, Silicone .38" I.D. x .62" O.D. x 120.0"
} Not illustrated			
17	11517.0008	-	Valve Repair Kit (Includes one each of items 5, 6 & 7)



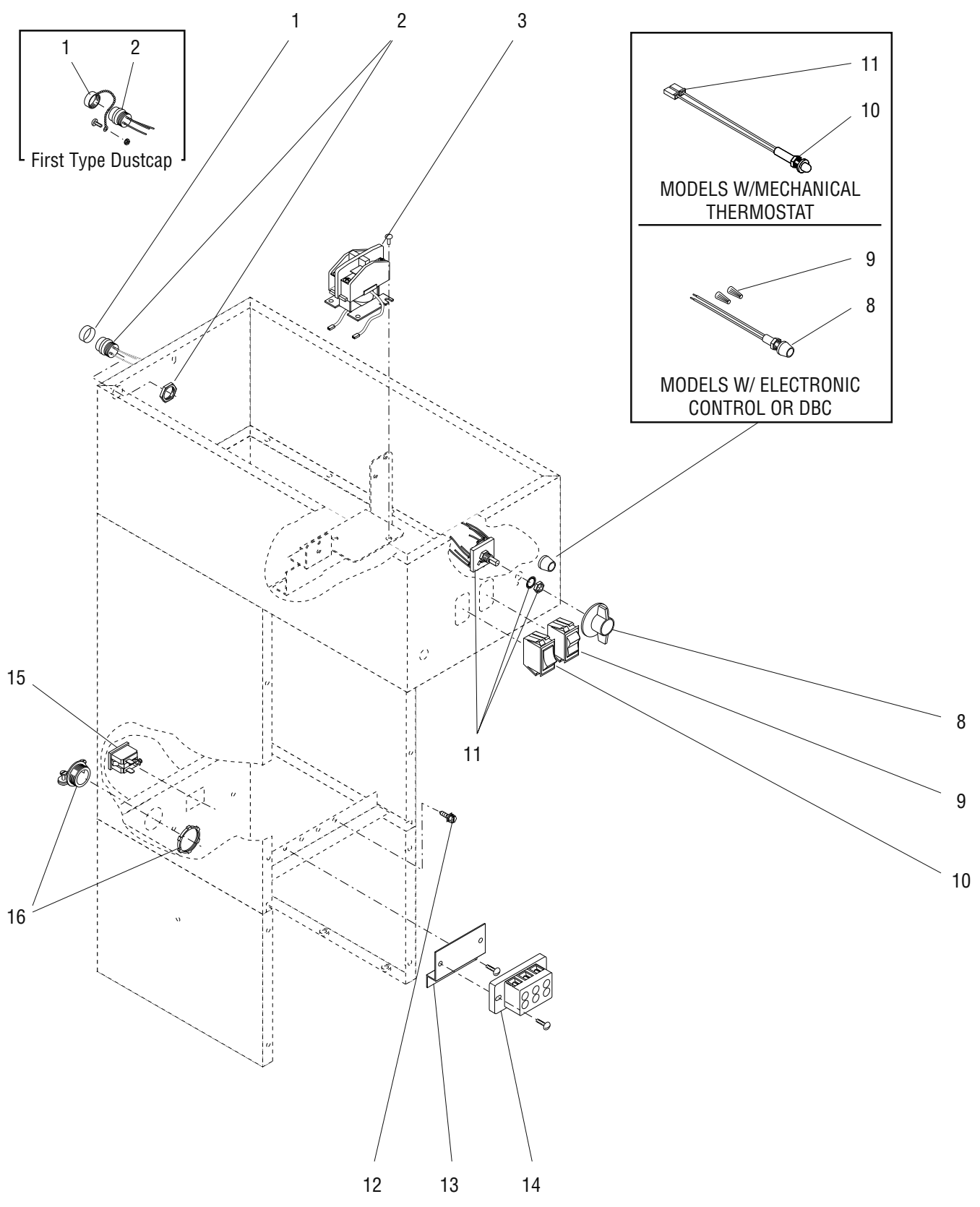
DISPENSE VALVE & SPRAYHEAD (Serial # SNG0005000 and up)

ITEM	PART NO.	QTY.	DESCRIPTION	
1	26846.0000	1	Valve Assy, Sprayhead 120V	} Includes items 2 thru 8
	26846.0001	1	Valve Assy, Sprayhead 200V	
	26846.0002	1	Valve Assy, Sprayhead 220/240V	
2	23254.0000	4	Screw #8-32	
3	22305.0000	1	Coil Assy, Dispensing Valve 120V	
	22305.0001	1	Coil Assy, Dispensing Valve 200V	
	22305.0002	1	Coil Assy, Dispensing Valve 220/240V	
4	23256.0000	1	Spacer Plate	
5	-----	1	Spring (Not available order item 16)	
6	-----	1	Plunger (Not available order item 16)	
7	23255.0000	1	Diaphragm	
8	-----	1	Body (Not available order item 1)	
9	26924.0000	1	Tee, Run .25" MPTF x .38" x .38" Barb	
10	-----	1	Tube, Silicone .38" I.D. x .62" O.D. x 5.25" (Order item 15)	
11	12422.0001	2	Clamp, Hose .59"/.66" I. D.	
12	21136.0001	1	Fitting, Barb .375" x .25" MPT	
13	01075.0000	1	Nut, Hex .438" - 20	
14	01082.0002	1	Sprayhead	
15	20976.1000	1	Tube, Silicone .375" I.D. x .62" O.D. x 12.0"	} Not illustrated
	20976.1001	1	Tube, Silicone .375" I.D. x .62" O.D. x 36.0"	
	20976.1002	1	Tube, Silicone .375" I.D. x .62" O.D. x 120.0"	
16	11517.0008	-	Valve Repair Kit (Includes one each of items 5, 6 & 7)	



FAUCET

ITEM	PART NO.	QTY.	DESCRIPTION
1	02596.1005	1	Faucet Assy (Includes items 2 thru 8)
2	02861.0000	1	Handle, Faucet
3	02854.0000	1	Bonnet, Faucet
4	02595.0000	1	Spring, Faucet
5	02766.0000	1	Seat Cup, Faucet
6	02856.0002	1	Body, Faucet
7	13054.0000	1	Stem, Faucet
8	02858.0000	1	Pin, Spring .125" Dia. x .50"
9	02594.0000	1	Faucet Stem W/Pin (Includes items 7 & 8)
10	02850.0000	1	Jam Nut, Faucet
11	12437.0000	1	Adapter, Barb
12	-----	1	Tube, Silicone .38" I.D. x .62" O.D. x 10.25" (Order item 15)
13	12422.0001	2	Clamp, Hose .59" x .66" I.D.
14	21136.0001	1	Fitting, Barb .375" x .25" MPT
15	20976.1000	1	Tube, Silicone .38" I.D. x .62" O.D. x 12.0"
	20976.1001	1	Tube, Silicone .38" I.D. x .62" O.D. x 36.0"
	20976.1002	1	Tube, Silicone .38" I.D. x .62" O.D. x 120.0"
			} Not Illustrated
16	27574.0000	1	Washer, Sealing
17	28706.0002	1	Faucet Kit (Includes items 2,4,5,7 & 8)

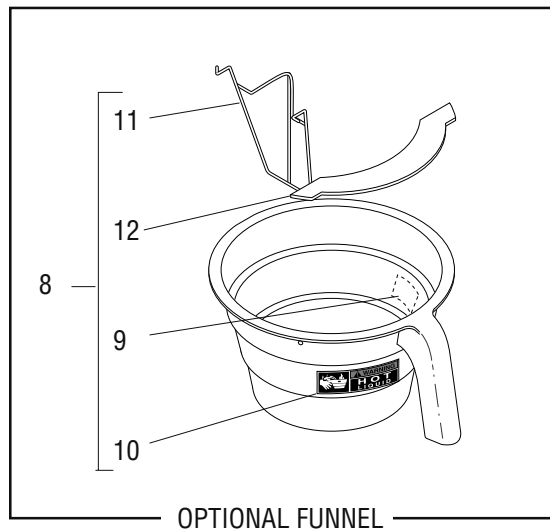
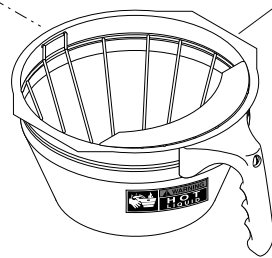
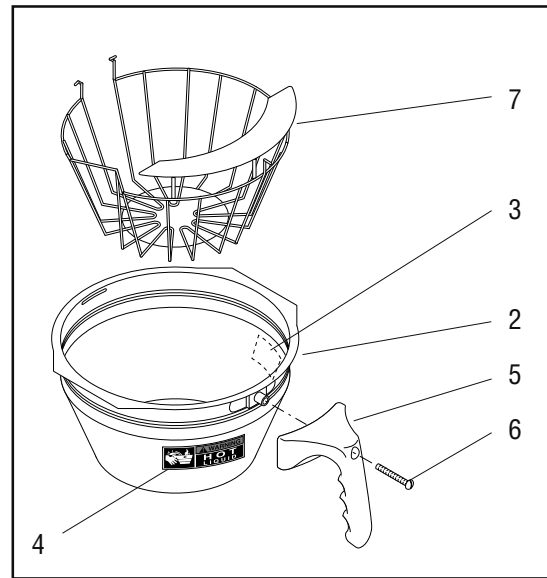
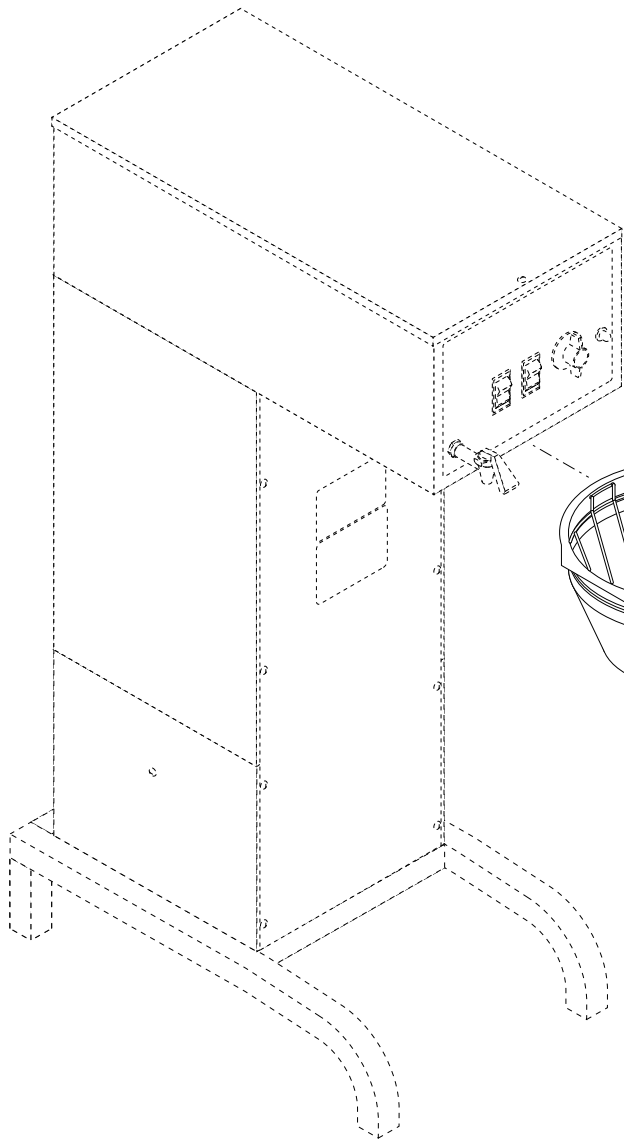


ELECTRICAL CONTROLS & READY LIGHT

ITEM	PART NO.	QTY.	DESCRIPTION	
1	-----	1	Dustcap W/Chain (First Type. Not available order second type Dustcap)	
	01382.0000	1	Screw, Truss Head #6-32 x .375"	
	00973.0000	1	Nut, Keps #6-32	
	27657.0000	1	Dustcap, Socket (Second type)	
2	12274.0002	1	Socket Assy W/Leads, Interface	
3	06335.1000	1	Contactor Assy, 120V Coil (Brewers with Mechanical Thermostat only)	
	01327.0000	2	Screw, Pan Head #10-32 x .375"	
4	12517.0002	1	Ready Light Replacement Kit (Includes item 5)	} Brewers with Electronic Control or DBC only
	25292.0000	1	Lockwasher M6	
	34130.0000	1	Nut M6	
5	01570.0000	2	Wire Nut 2 - 24AWG	
6	12984.0002	1	Light Assy 120V (Includes item 7)	} Brewers with Mechanical Thermostat only
7	04243.0000	2	Terminal Housing, Receptacle	
8	12246.0000	1	Knob, Rotary Switch	
9	02753.0000	1	Switch, On/Off 120V	
	02754.0000	1	Switch, On/Off 240V	
10	02628.0000	1	Switch, Momentary- Start	
11	20969.0000	1	Switch Assy, Rotary (Mechanical Valve By-Pass) (Prior to Serial # SNG0005000)	
	20969.0001	1	Switch Assy, Rotary (Brewers with Mechanical Thermostat or Electronic Control)	
	20969.0004	1	Switch Assy, Rotary (Brewers with DBC)	
12	01309.0000	1	Ground Screw W/Terminal Washer #10-32 x .50"	
13	23004.0000	1	Bracket, Terminal Block Mounting	
	02308.0000	2	Screw, Pan Head #8-32 x .375"	
14	07038.0000	1	Terminal Block, 3 Pole (120/208V & 120/240V)	
	01106.0001	1	Terminal Block, 2 Pole (240V)	
	01317.0000	2	Screw, Truss Head #8-32 x .375"	
15	03628.0000	1	Receptacle, Grounded	
16	01590.0000	1	Connector, Cable	

NOTE: The following items are not illustrated

17	23354.0006	1	Wiring Harness, Main (120/208V & 120/240V Models with Mechanical Thermostat only)	} (Prior to Serial # SNG0005000)
	23354.0007	1	Wiring Harness, Main (120/208V & 120/240V Models with Electronic Control only)	
	23354.0008	1	Wiring Harness, Main (240V)	
	27026.0006	1	Wiring Harness, Main (120/208V & 120/240V Models with Mechanical Thermostat only)	} (Serial # SNG0005000 and up)
	27026.0007	1	Wiring Harness, Main (120/208V & 120/240V Models with Electronic Control only)	
	27076.0008	1	Wiring Harness, Main (240V)	
18	23378.0000	1	Wiring Harness, Contactor (Models with Mechanical Thermostat only)	
20	25645.0003	1	Wiring Harness, Signal	} Brewers with DBC only
21	25646.0000	1	Wiring Harness, Power	



FUNNEL

ITEM	PART NO.	QTY.	DESCRIPTION
1	20201.1201	1	Funnel Assy, SST (Includes Items 2 thru 7)
2	24462.0000	1	Funnel W/Decals (Includes items 3 & 4)
3	03408.0000	1	Decal, Caution-Remove Funnel
4	03409.0000	1	Decal, Caution-Hot Liquid
5	20201.1100	1	Handle, Funnel-Black
6	12499.0002	1	Screw, Round Head .25"-20 x 1.50"
7	----- 33089.0000	1 1	Filter Basket (First Type. Not available, order Second Type) Filter Basket W/Splash Guard (Second Type)
8	22735.0000 22735.0001	1 1	Funnel Assy, Plastic-Black (Includes items 9, 10,11 & 12) Funnel Assy, Plastic-Smoke (Includes items 9, 10,11 & 12)
9	03408.0000	1	Decal, Caution-Remove Funnel
10	03409.0000	1	Decal, Caution-Hot Liquid
11	21911.0000	1	Funnel Adapter, Water By-Pass
12	32965.0000	1	Splash Guard

NUMERICAL INDEX

PART NO.	PAGE NO.	PART NO.	PAGE NO.	PART NO.	PAGE NO.	PART NO.	PAGE NO.
00400.0001	19	02754.0000	31	12984.0002	31	24298.0000	21
00459.0000	19	02766.0000	29	12919.0008	9	24298.0001	21
00463.0000	19	02822.0000	5	13054.0000	29	24462.0000	33
00619.0002	11	02850.0000	29	20201.1100	33	24486.1000	9,11
00619.0008	5	02854.0000	29	20201.1201	33	24486.1001	11
00656.0000	5	02856.0002	29	20201.1601	21	24614.0001	19
00658.0000	5	02858.0000	29	20201.5600	5	25151.0000	5
00720.0000	9	02861.0000	29	20201.6001	17	25292.0000	31
00751.0000	7	03011.0000	5	20203.0100	15	25468.0000	13
00752.0000	7	03236.1001	15	20526.1330	19	25513.0000	13
00754.0001	7	03236.1002	15	20526.1500	19	25645.0003	31
00831.0000	5	03236.1003	15	20762.0000	9	25646.0000	31
00908.0000	15,17,19	03408.0000	33	20922.1003	15	25647.0000	25
00932.0000	15	03409.0000	33	20933.0000	25	25648.0000	13
00946.0000	15	03628.0000	31	20933.0002	25	25654.0000	13
00970.0000	13,23	03633.0000	15	20936.1000	15	25662.0000	13
00971.0000	15,17	03803.0000	15	20945.0001	21	25756.0000	5
00973.0000	13,31	03807.0000	15	20945.0002	23	25766.0000	5
01075.0000	25,27	04243.0000	31	20948.0001	9,11,13	26173.0000	7
01079.0000	19	04314.0001	9	20969.0000	31	26196.0000	7
01082.0002	25,27	04680.0000	15	20969.0001	31	26198.0000	5
01085.0002	19	04786.0002	11	20969.0004	31	26201.0000	19
01100.0000	19	05515.0000	19	20976.1000	21,23,25,27,29	26207.0000	5
01101.0000	19	06335.1000	31	20976.1001	21,23,25,27,29	26263.0000	13
01106.0001	31	06866.0000	25	20976.1002	21,23,25,27,29	26306.0000	5
01111.0000	19	07038.0000	31	21122.0000	11	26306.0001	5
01111.0002	19	07073.0000	9	21136.0001	23,27,29	26307.0000	5
01116.0000	19	07074.1026	9	21812.0007	19	26307.0001	5
01154.0000	19	07075.0000	13	21911.0000	33	26307.0002	5
01155.0000	19	07441.0000	13	22249.0000	19	26307.0003	5
01309.0000	31	10044.0000	7	22300.0500	19	26307.0004	5
01317.0000	31	10697.0000	5	22305.0000	23,25,27	26307.0005	5
01327.0000	19,31	10706.0000	5	22305.0001	23,25,27	26308.0000	5
01347.0000	9,11,13	10851.0000	5	22305.0002	23,25,27	26309.0000	5
01382.0000	13,31	11517.0008	21,23,25,27	22728.0000	15	26343.0000	7
01382.0003	5	11707.1000	21,23	22735.0000	33	26622.0001	15
01388.0000	9,11,13	11707.1001	21,23	22735.0001	33	26846.0000	27
01501.0000	15	11707.1002	21,23	22976.0000	17	26846.0001	27
01502.0000	19	12246.0000	31	22978.0000	17	26846.0002	27
01510.0000	9,11	12274.0002	31	22992.0001	19	26885.0000	5
01511.0000	9	12322.1000	15	23004.0000	31	26885.0001	5
01520.0000	15	12398.0002	15	23015.0000	19	26924.0000	27
01532.0000	19	12422.0000	15,21,23	23024.0005	5	27026.0006	31
01533.0000	9,11,15	12422.0001		23024.0006	5	27026.0007	31
01570.0000	31		21,23,25,27,29	23193.0000	17	27035.0000	13
01590.0000	31	12422.0005	23	23254.0000	21,25,27	27076.0008	31
01667.0000	13	12437.0000	29	23255.0000	21,23,25,27	27170.0001	23
01975.0000	19	12499.0002	33	23256.0000	21,25,27	27370.0000	23
02308.0000	5,9,11	12517.0002	31	23324.1000	17	27370.0001	23
02308.0000	13,17,19,31	12527.0001	15	23354.0006	31	27370.0002	23
02328.0003	13,15	12527.0008	15	23354.0007	31	27461.0000	15
02336.0000	5	12559.0000	11	23354.0008	31	27473.0000	15
02536.0000	15	12560.0018	11	23378.0000	31	27574.0000	29
02594.0000	29	12561.0000	15	23418.0000	5	27657.0000	31
02595.0000	29	12565.0002	15	23717.0001	15	28377.0000	9
02596.1005	29	12565.0008	15	23721.0000	19	28479.0000	19
02628.0000	31	12568.0003	13	23849.0000	21	28480.0000	19
02753.0000	31	12570.0000	11,13	23849.0002	21	28481.0000	19

NUMERICAL INDEX

PART NO.	PAGE NO.	PART NO.	PAGE NO.	PART NO.	PAGE NO.	PART NO.	PAGE NO.
28706.0002	29						
28909.0000	17						
32400.0002	9,11						
32400.0003	9,11						
32540.0000	7						
32965.0000	33						
33089.0000	33						
34130.0000	31						
M2517.0000	17						
M2522.1000	15						