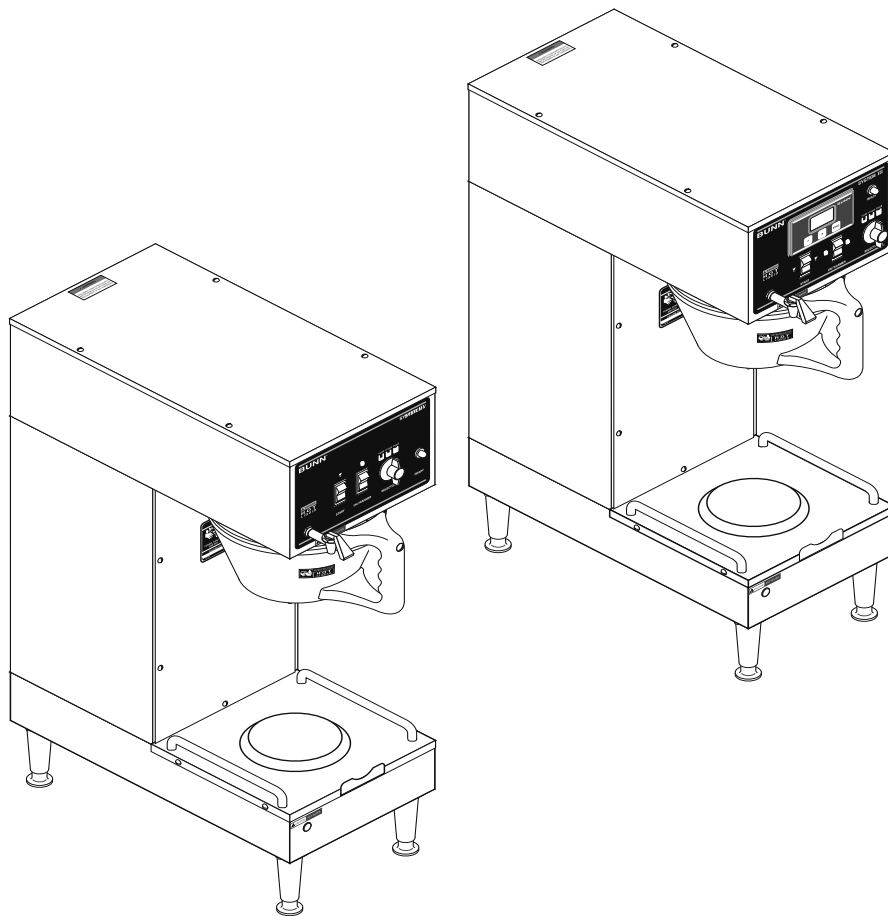


BUNN[®] ***SYSTEM III***[®]



ILLUSTRATED PARTS CATALOG

Designs, materials, weights, specifications, and dimensions for equipment or replacement parts are subject to change without notice.

BUNN-O-MATIC CORPORATION

POST OFFICE BOX 3227

SPRINGFIELD, ILLINOIS 62708-3227

PHONE: (217) 529-6601 FAX: (217) 529-6644

BUNN-O-MATIC COMMERCIAL PRODUCT WARRANTY

Bunn-O-Matic Corp. ("BUNN") warrants equipment manufactured by it as follows:

- 1) All equipment other than as specified below: 2 years parts and 1 year labor.
- 2) Electronic circuit and/or control boards: parts and labor for 3 years.
- 3) Compressors on refrigeration equipment: 5 years parts and 1 year labor.
- 4) Grinding burrs on coffee grinding equipment to grind coffee to meet original factory screen sieve analysis: parts and labor for 3 years or 30,000 pounds of coffee, whichever comes first.

These warranty periods run from the date of installation BUNN warrants that the equipment manufactured by it will be commercially free of defects in material and workmanship existing at the time of manufacture and appearing within the applicable warranty period. This warranty does not apply to any equipment, component or part that was not manufactured by BUNN or that, in BUNN's judgment, has been affected by misuse, neglect, alteration, improper installation or operation, improper maintenance or repair, damage or casualty. This warranty is conditioned on the Buyer 1) giving BUNN prompt notice of any claim to be made under this warranty by telephone at (217) 529-6601 or by writing to Post Office Box 3227, Springfield, Illinois 62708-3227; 2) if requested by BUNN, shipping the defective equipment prepaid to an authorized BUNN service location; and 3) receiving prior authorization from BUNN that the defective equipment is under warranty.

THE FOREGOING WARRANTY IS EXCLUSIVE AND IS IN LIEU OF ANY OTHER WARRANTY, WRITTEN OR ORAL, EXPRESS OR IMPLIED, INCLUDING, BUT NOT LIMITED TO, ANY IMPLIED WARRANTY OF EITHER MERCHANTABILITY OR FITNESS FOR A PARTICULAR PURPOSE. The agents, dealers or employees of BUNN are not authorized to make modifications to this warranty or to make additional warranties that are binding on BUNN. Accordingly, statements by such individuals, whether oral or written, do not constitute warranties and should not be relied upon.

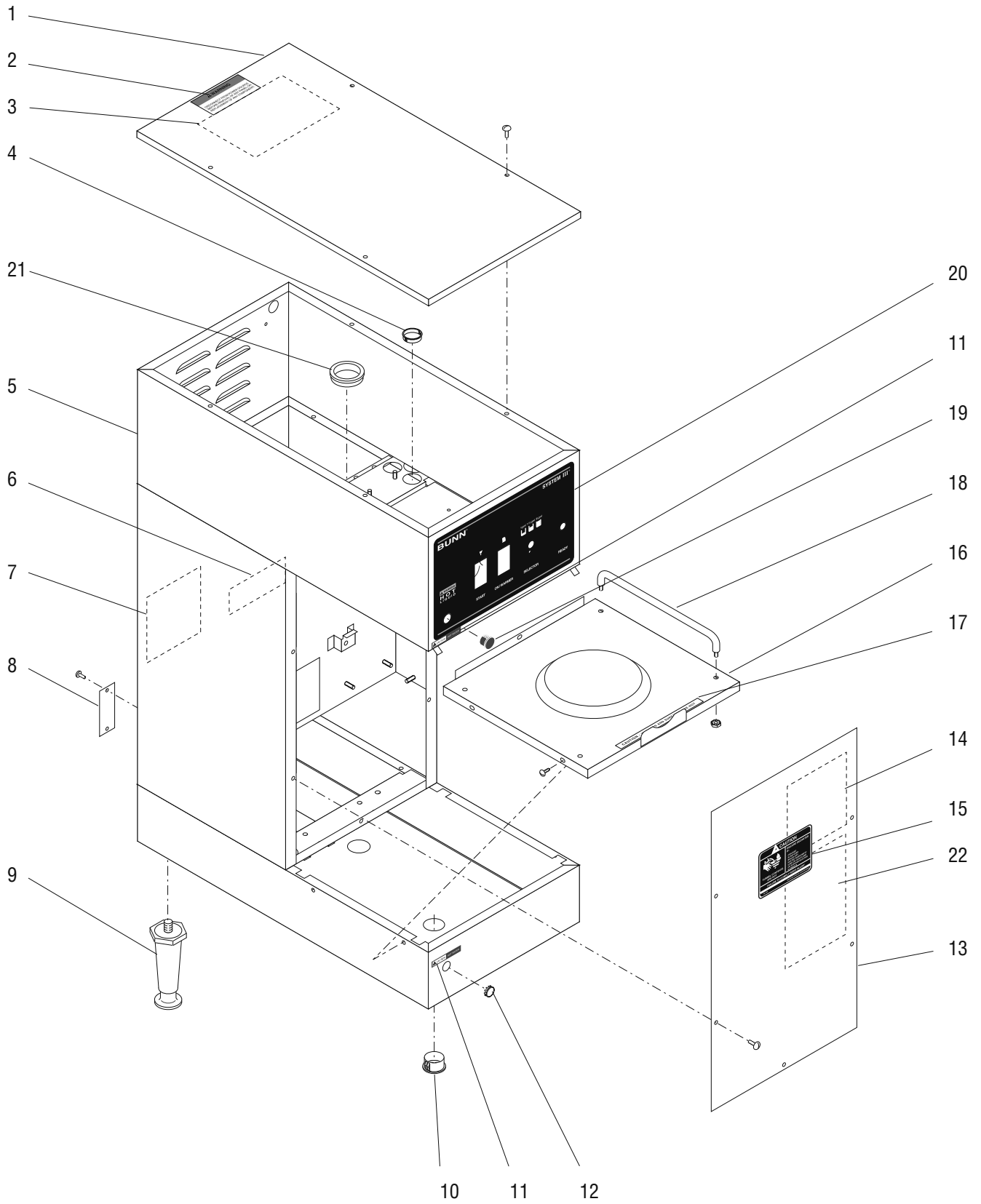
If BUNN determines in its sole discretion that the equipment does not conform to the warranty, BUNN, at its exclusive option while the equipment is under warranty, shall either 1) provide at no charge replacement parts and/or labor (during the applicable parts and labor warranty periods specified above) to repair the defective components, provided that this repair is done by a BUNN Authorized Service Representative; or 2) shall replace the equipment or refund the purchase price for the equipment.

THE BUYER'S REMEDY AGAINST BUNN FOR THE BREACH OF ANY OBLIGATION ARISING OUT OF THE SALE OF THIS EQUIPMENT, WHETHER DERIVED FROM WARRANTY OR OTHERWISE, SHALL BE LIMITED, AT BUNN'S SOLE OPTION AS SPECIFIED HEREIN, TO REPAIR, REPLACEMENT OR REFUND.

In no event shall BUNN be liable for any other damage or loss, including, but not limited to, lost profits, lost sales, loss of use of equipment, claims of Buyer's customers, cost of capital, cost of down time, cost of substitute equipment, facilities or services, or any other special, incidental or consequential damages.

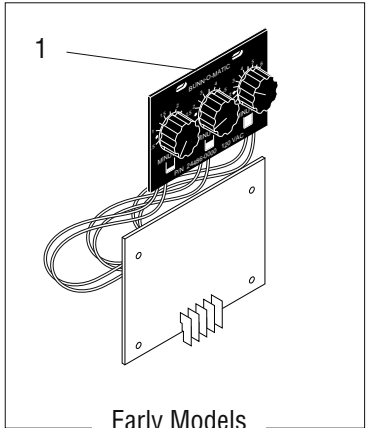
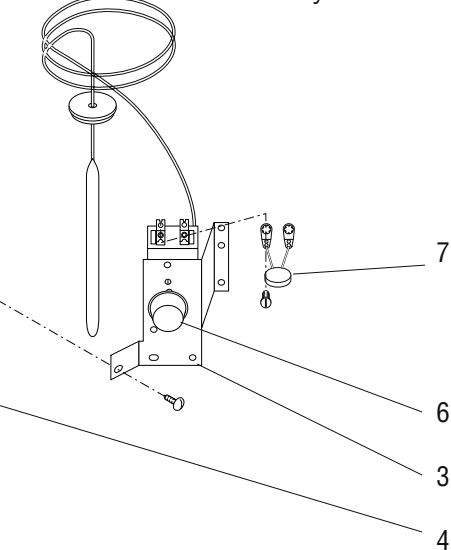
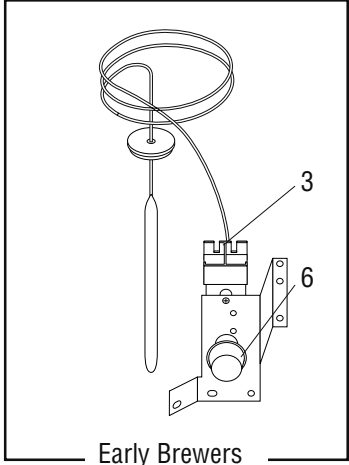
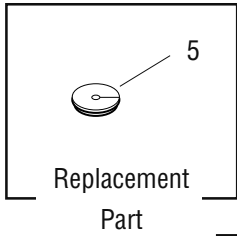
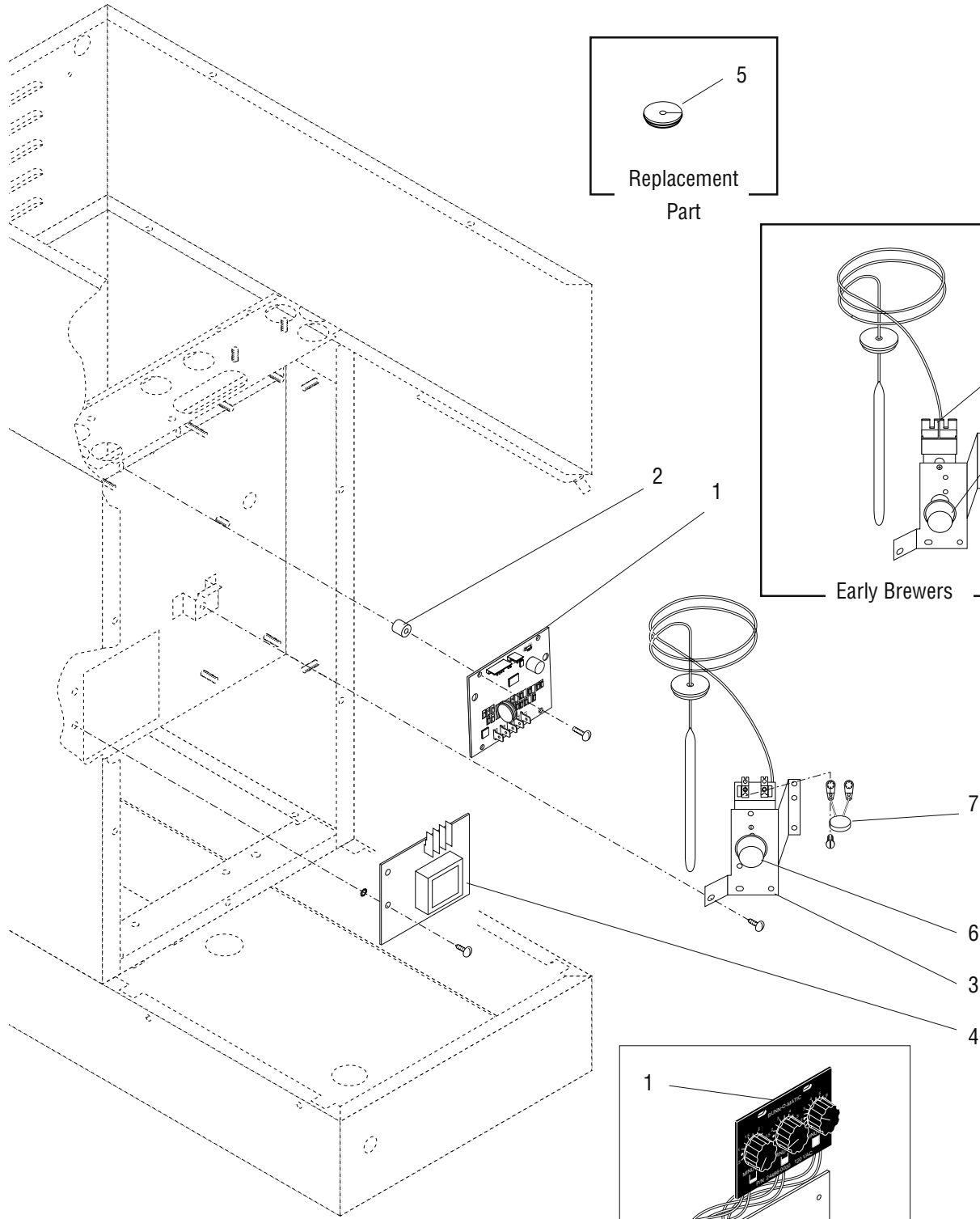
TABLE OF CONTENTS

TITLE	PAGE NO.
Digital Brewer Control Assembly	8
Dispense Valve and Sprayhead	16
Electrical Controls, Warmers & Ready Light	20
Faucet	18
Funnel	22
Housing, Panels & Covers	4
Numerical Index	24
Strainer/Flow Control - Solenoid & Lines	12
Tank, Heater & Overflow Protection Devices	10
Triple Set Timer & Mechanical Thermostat	6
Water By-Pass	14



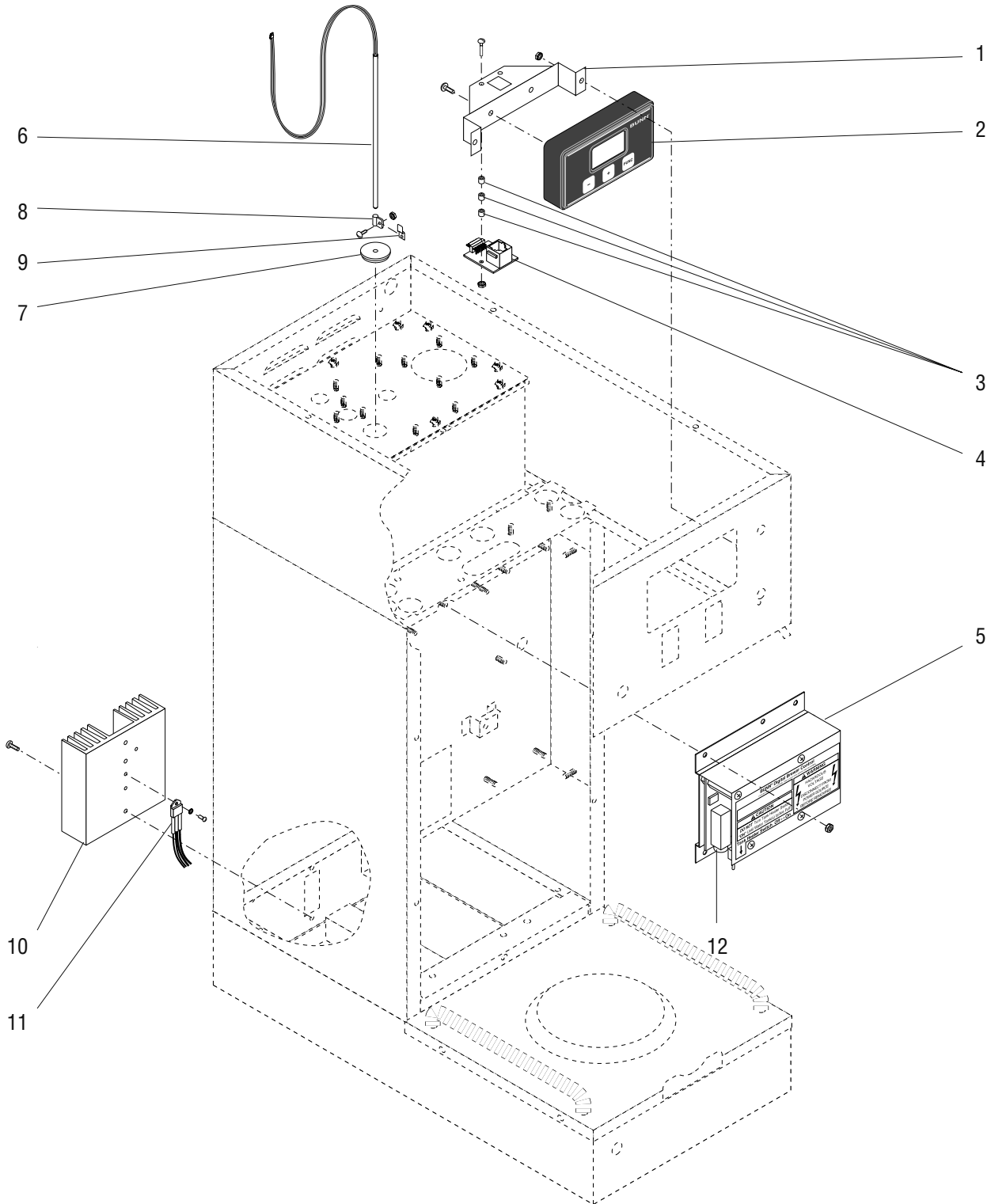
HOUSING, PANELS & COVERS

ITEM	PART NO.	QTY.	DESCRIPTION	
1	27533.0000	1	Cover W/Decals, Top (Includes item 2 & 3)	
	01382.0000	4	Screw, Truss Head 6 - 32 x .38"	
2	10044.0000	1	Decal, Warning-Shutt Off Power	
3	25151.0000	1	Shield, Insulator	
4	27354.0000	3	Bushing, .875" Dia. (1 additional used on models with lower faucet)	
5	-----	1	Housing (Not available)	
6	00656.0000	1	Decal, Comply to Plumbing Code	
7	00831.0000	1	Decal, Warning-Electrical	
8	27344.0000	1	Plate, Heat Sink Cover (Not used on DBC models)	
	01382.0000	2	Screw, Truss Head 6 - 32 x .38"	
9	26528.0000	4	Leg, 4.0" adjustable Black	
	00502.0000	4	Leg, 4.0" adjustable Satin Nickel	
10	03011.0000	1	Plug, Vent	
11	20201.5600	1	Decal, Caution Hot Water (Early Models)	
12	00619.0007	1	Plug, Hole .50" Dia. (Not used on Models with Lower Faucet)	
13	-----	1	Panel W/Decal (Models with Mech. Thermostat)(Not available)	} Includes items 14 & 15
	27537.0001	1	Panel W/Decal, Trunk Access (Models with DBC)	
	27537.0002	1	Panel W/Decal, Trunk Access ("A" Models. Includes item 15)	
	01382.0000	5	Screw, Truss Head 6 - 32 x .38"	
14	-----	1	Schematic, Electrical (120/240V) (Models with Mech. Thermostat)	} Not available
	-----	1	Schematic, Electrical (120/240V) (Models with DBC)	
15	00658.0000	1	Decal, Funnel Contents	
16	27536.0000	1	Panel W/Decal, Warmer (Includes item 17)	
	01382.0000	4	Screw, Truss Head 6 - 32 x .38"	
17	12364.0000	1	Decal, Caution Warmers are Hot	
18	12249.0001	2	Guide Rail	
	00991.0000	4	Nut, Lock 8 - 32	
19	00669.0002	1	Plug, Hole .50" Dia. (Not used on Models with upper Faucet)	
20	27356.0000	1	Decal, Control Panel (Models with Mech. Thermostat)	
	-----	1	Decal, Control Panel (Models with DBC)(Not available)	
21	01593.0000	1	Bushing, Snap 1.50" Dia.	
22	32540.0000	1	Decal, Instruction - Batch Set (Digital Timer)	



TRIPLE SET TIMER & MECHANICAL THERMOSTAT

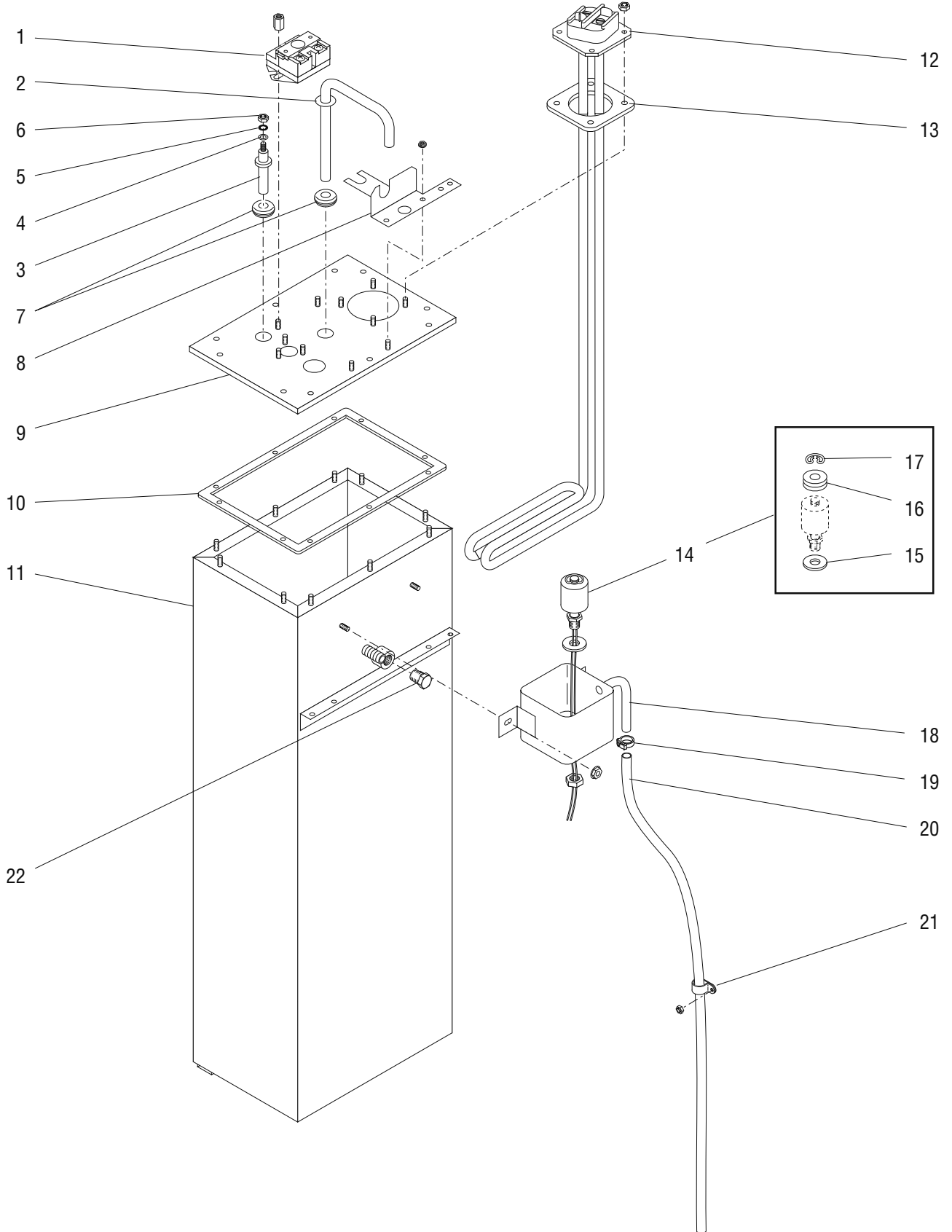
ITEM	PART NO.	QTY.	DESCRIPTION
1	-----	-	Timer, Triple 120V (Early Models) (Order Digital Timer)
	-----	-	Timer, Triple 240V (Early Models) (Order Digital Timer)
	32400.0002	1	Digital Timer 120V (Late Models)
	32400.0003	1	Digital Timer 240V (Late Models)
	00970.0000	2	Nut, Keps #8-32 (Early Models)
	00973.0000	2	Nut, Keps #6-32 (Early Models)
	02367.0000	2	Screw, TRH SLTD SST #6-32 x .62" (Late Models)
	12919.0008	1	Cap, Terminal (Not illustrated)
2	01533.0000	2	Spacer, Nylon .375"
3	-----	1	Thermostat Assy (Early Brewers. Order Late Brewer Thermostat Kit)
	04314.0001	1	Thermostat Kit (Late Brewers)(Includes items 5, 6 & 7)
	02308.0000	1	Screw, Pan Head 8 - 32 x .375" (Mounting)
	20762.0000	2	Screw, Binding Head 8-32 x .25"
4	07074.1026	1	Control Board, Level (120V)
	07074.1027	1	Control Board, Level (240V)
	02308.0000	2	Screw, Pan Head 8 - 32 x .375"
	01511.0000	2	Lockwasher, External Tooth #8
5	07073.0000	1	Grommet, Thermostat
6	00720.0000	1	Knob, Thermostat Adjustment
7	28377.0000	1	Noise Suppressor



DIGITAL BREWER CONTROL ASSEMBLY

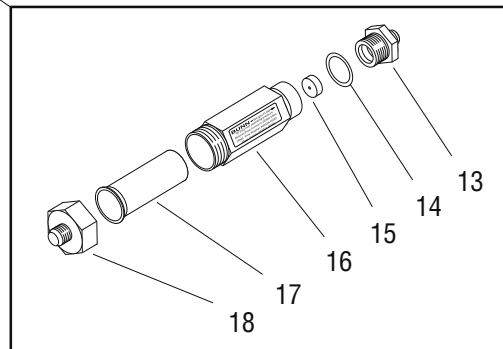
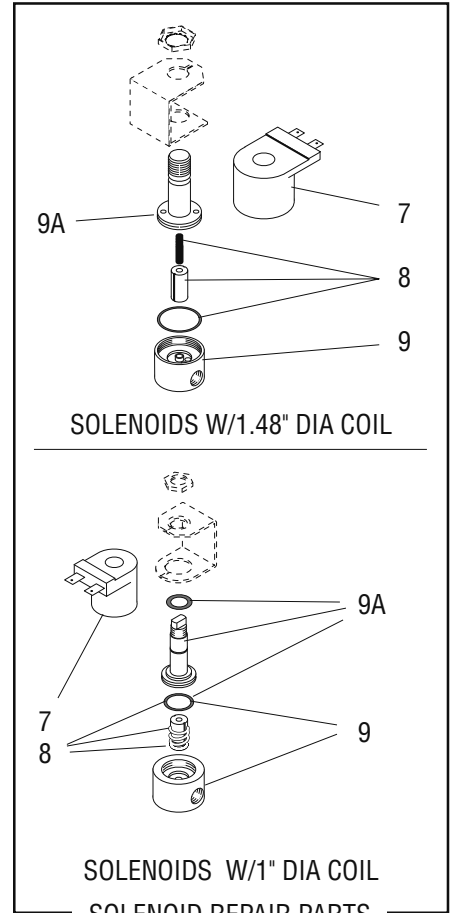
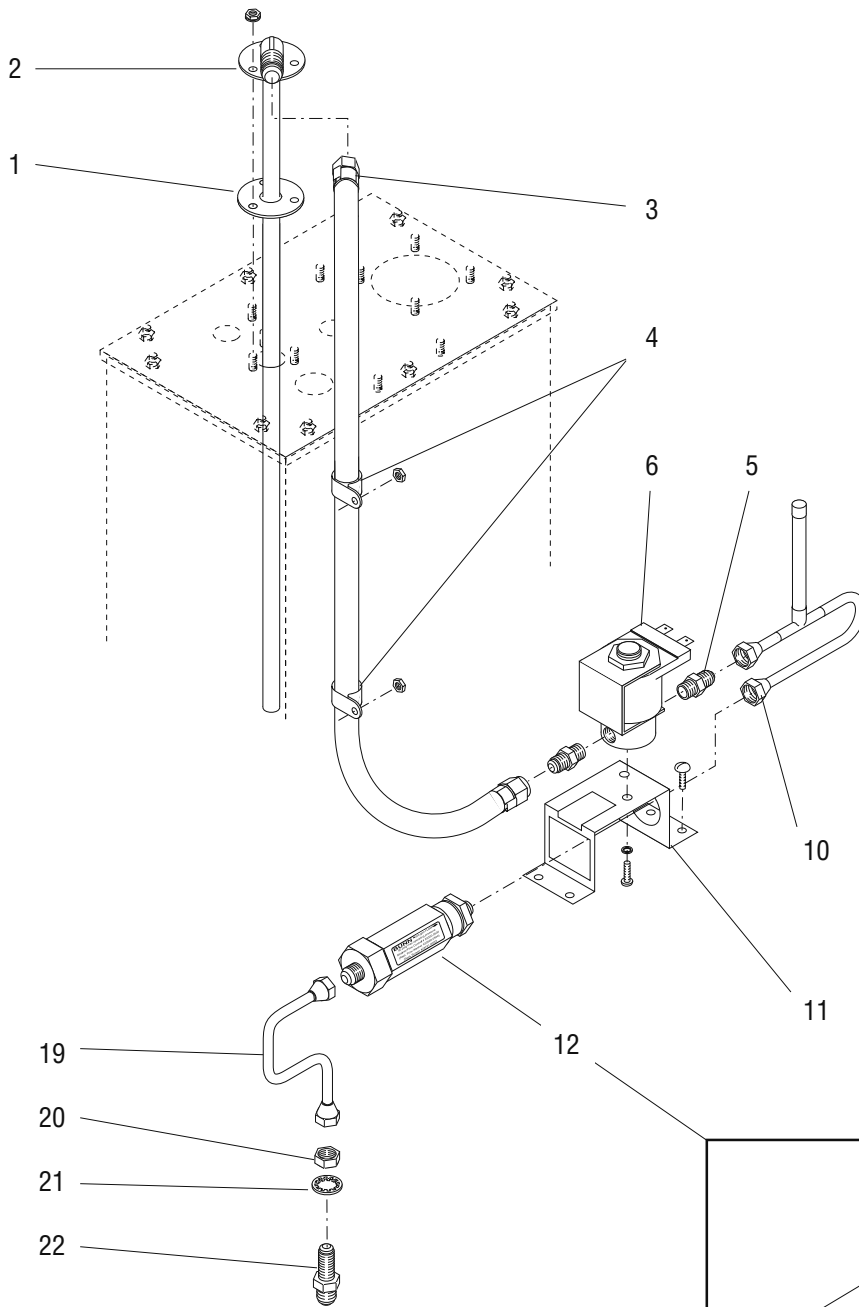
ITEM	PART NO.	QTY.	DESCRIPTION
1	-----	1	Bracket, Display/ Receptacle Mounting (Not available)
	00970.0000	2	Nut, Keps 8 - 32
2	25654.0000	1	DBC Display Assembly
	02328.0004	2	Screw, Pan Head 6 - 32 x .312" Locking
3	01533.0004	6	Spacer, Nylon .19"
4	25513.0000	1	Receptacle, Display
	02302.0000	2	Screw, Round Head 6 - 32 x .88"
	00973.0000	2	Nut, Keps 6 - 32
5	25468.0002	1	DBC Power Board Assembly (Includes item 12)
	00970.0000	2	Nut, Keps 8 - 32
6	12568.0003	1	Sensor, Temperature
7	12570.0000	1	Grommet, Silicone Temperature Sensor
8	26263.0000	1	Clamp, Steel .12"/.19"
	01382.0000	1	Screw, Truss Head 6 - 32 x .375"
	00973.0000	1	Nut, Keps 6 - 32
9	01667.0000	1	Terminal, .25"
10	-----	1	Heat Sink (Not available)
	01347.0002	2	Screw, Truss Head 6 - 32 x .38"
11	12565.0008	1	Triac Assembly, 40 Amp
	02328.0003	1	Screw, Pan Head 6- 32 x .312"
	01520.0000	1	Lockwasher, Split #6
12	27035.0000	1	Fuse, AGC 5amp 250V
13	M2522.1000	-	Heat Sink Compound (Not illustrated)
14	25662.0000	1	Cord Assembly, Display 12.0" (Not illustrated)

Also order item 13



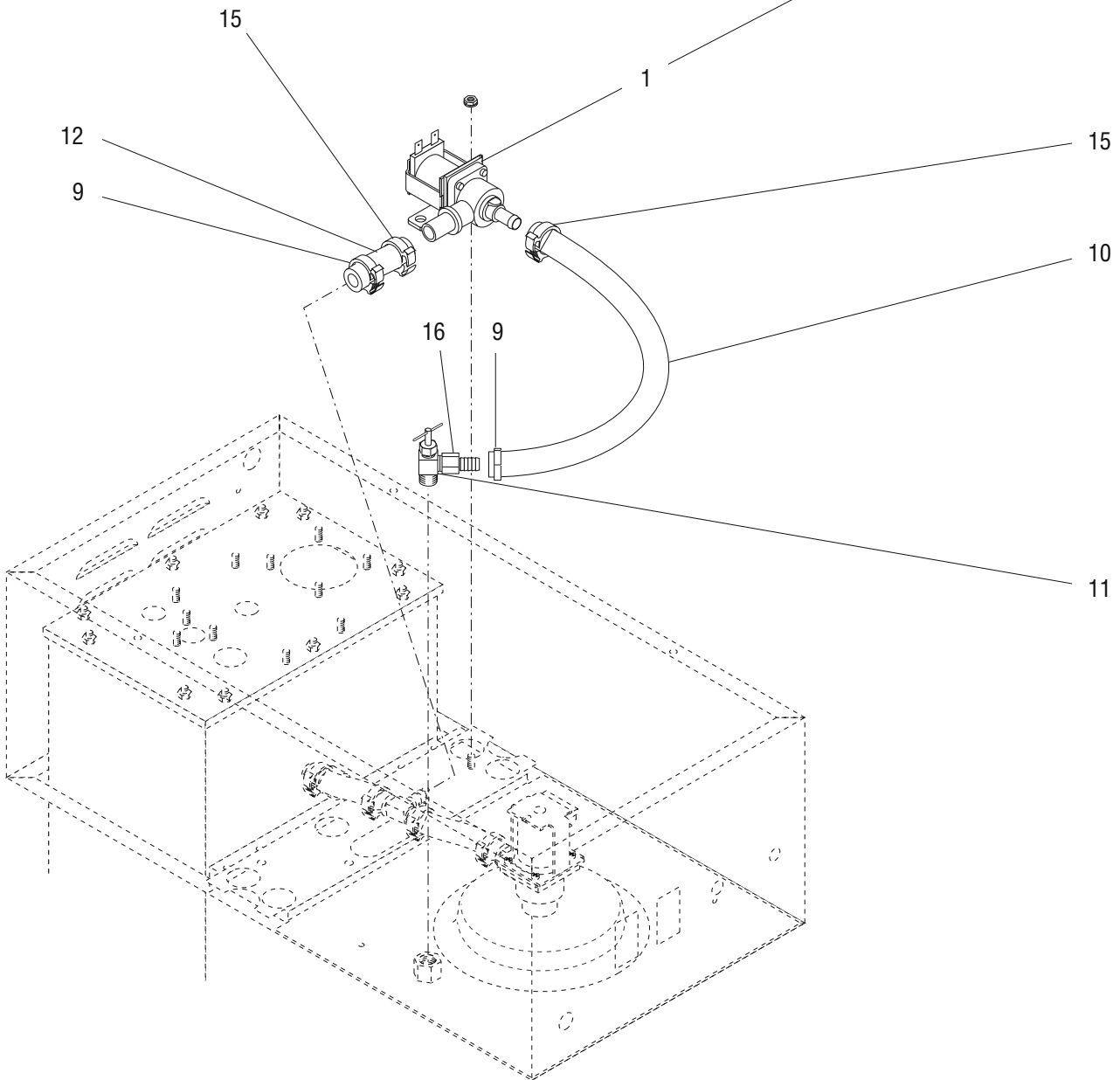
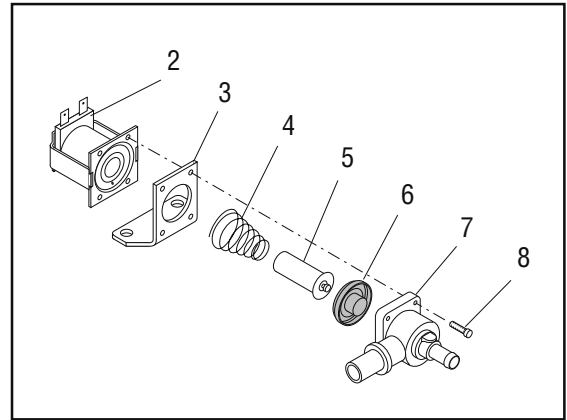
TANK, HEATER & OVERFLOW PROTECTION DEVICES

ITEM	PART NO.	QTY.	DESCRIPTION
1	23717.0001	1	Thermostat, Limit
	00932.0000	2	Spacer, Hex 10 - 32
2	26622.0001	1	Tube Assy, Vent
3	20936.1000	1	Probe Kit (Includes items 4, 5 & 6)
4	01501.0000	1	Washer, .164" I.D. x .375" O.D.
5	20203.0100	1	Lockwasher, Internal Tooth #8
6	00908.0000	1	Nut, Hex 8 - 32
7	02536.0000	2	Grommet, Probe
8	27473.0000	1	Bracket, Vent Tube Mounting
9	27332.0000	1	Tank Lid
	00908.0000	10	Nut, Hex 8 - 32
10	12377.0000	1	Gasket, Tank Lid
11	27330.0000	1	Tank
	02308.0000	6	Screw, Pan Head 8 - 32 x .375"
12	27349.1001	1	Tank Heater, 3700W @ 208V
	27349.1000	1	Tank Heater, 4000W @ 240V
	27349.1002	1	Tank Heater, 6000W @ 240V
	27349.1003	1	Tank Heater, 5700W @ 208V
	00908.0000	4	Nut, Hex 8 - 32
13	12398.0002	1	Gasket, Tank Heater
14	03803.0000	1	Switch Assy, Liquid Level (Includes items 15, 16 & 17)
	00946.0000	1	Nut, Hex .125" FPT
15	03633.0000	2	Gasket, Float Switch (Only 1 used in this application)
16	-----	3	Washer, Adjusting (DO NOT USE IN THIS APPLICATION)
17	03807.0000	1	Clip, Spring
18	22728.0000	1	Overflow Cup Assy
	00971.0000	2	Nut, Keps #8 - 32
19	12422.0000	1	Clamp, Hose .47"/.54" I.D.
20	-----	1	Tube, Silicone .312" I.D. x 21.50" (Order item 23)
21	00603.0000	2	Clamp, .438" I.D.
	00908.0000	2	Nut, Hex 8 - 32
22	20201.6001	1	Plug, Pipe .25" NPT (Not used with faucet models)
23	03236.1001	-	Tube, Silicone .312" I.D. x 36.0" (Not illustrated)



STRAINER/FLOW CONTROL - SOLENOID AND LINES

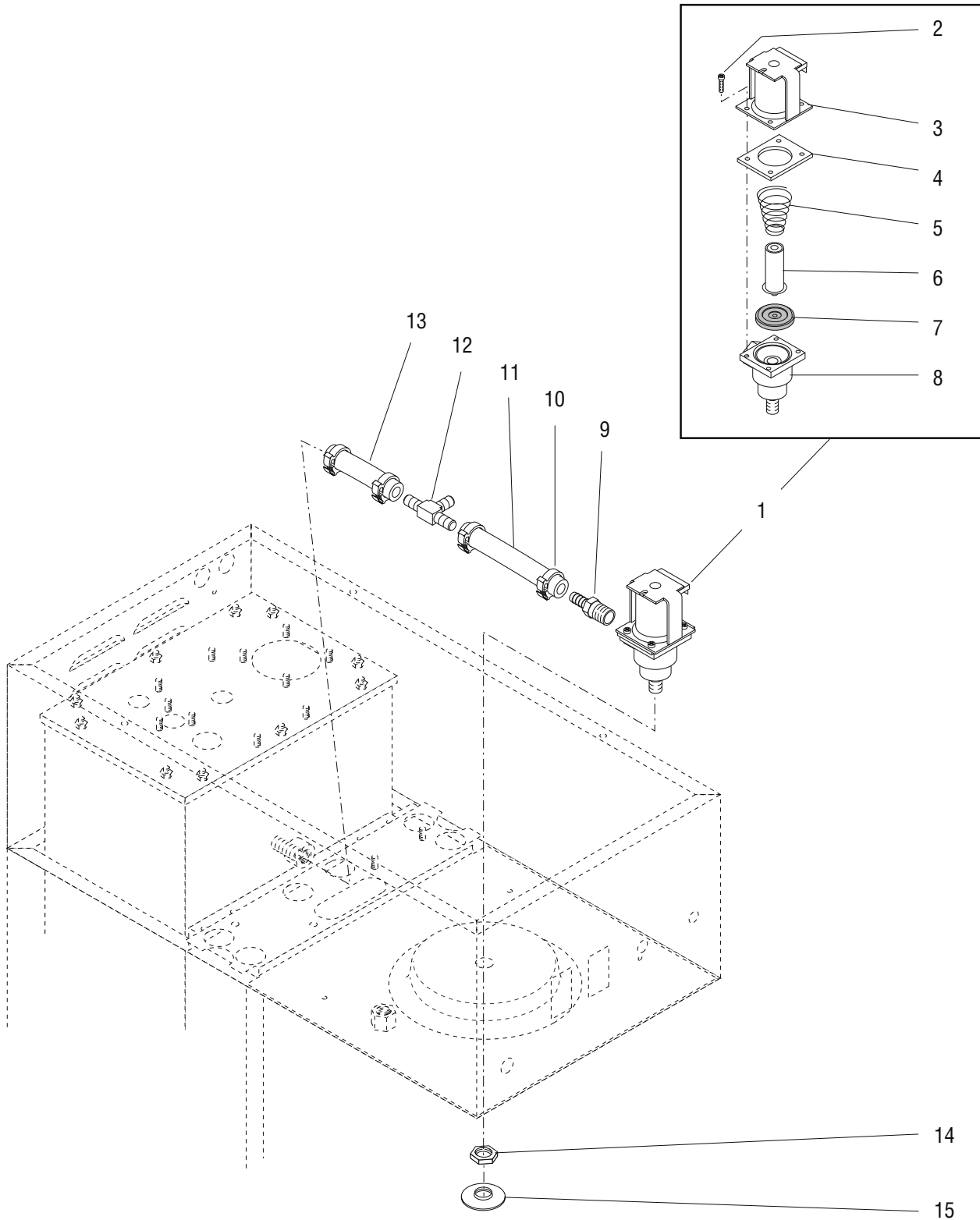
ITEM	PART NO.	QTY.	DESCRIPTION
1	05515.0000	1	Gasket, Spayhead Tube
2	22992.0001	1	Tube, Tank Fill
	00908.0000	3	Nut, Hex 8 - 32
3	20977.1001	1	Hose Assy, Solenoid to Tank
4	00604.0000	2	Clamp, Hose
	00908.0000	2	Nut, Hex 8 - 32
5	00402.0001	2	Connector, Male .250" Flare x .125" MPT
6	-----	1	Solenoid Valve Assy, 120V - 1.48" Dia Coil (Not Available. Order 01085.0002)
	01085.0002	1	Solenoid Valve Assy, 120V - 1" Dia Coil
	01975.0000	1	Solenoid Valve Assy, 240V - 1.48" Dia Coil
	01327.0000	2	Screw, Pan Head 10 - 32 x .375"
	01502.0000	2	Lockwasher, Split #10
7	01101.0000	1	Solenoid Valve Coil, 120V - 1.48" Dia Coil
	28480.0000	1	Solenoid Valve Coil, 120V - 1" Dia Coil
8	01111.0000	1	Solenoid Valve Repair Kit - 1.48" Dia Coil (Includes Plunger, Seal and Spring)
	01111.0002	1	Solenoid Valve Repair Kit - 1" Dia Coil (Includes Plunger, Spring and O-ring)
9	01079.0000	1	Solenoid Valve Base - 1.48" Dia Coil
	28479.0000	1	Solenoid Valve Base Kit - 1" Dia Coil (Includes O-ring)
9A	01116.0000	1	Guide - 1.48" Dia Coil
	28481.0000	1	Guide Kit - 1" Dia Coil (Includes Washer and O-ring)
10	27342.0000	1	Tube Assy, Flow Control to Solenoid
11	27340.0000	1	Bracket, Solenoid/Flow Control
	02308.0000	4	Screw, Pan Head 8 - 32 x .375"
12	22300.0500	1	Strainer/Flow Control Assy (Includes items 13 thru 18)
13	01154.0000	1	Flow Control Outlet
14	01155.0000	1	Flow Control Gasket
15	20526.1500	1	Flow Washer/Gasket Set (Includes item 14), .500 GPM
16	-----	1	Body (Not available order item 12)
17	23721.0000	1	Screen
18	22249.0000	1	End Cap
19	27343.0000	1	Tube Assy, Bulkhead to Flow Control
20	00463.0000	1	Nut, Hex .438" - 20
21	01532.0000	1	Lockwasher, Internal Tooth .438" I.D.
22	27352.0000	1	Bulkhead Fitting, .250" Flare x .375" Flare



WATER BY-PASS

ITEM	PART NO.	QTY.	DESCRIPTION
1	27370.0000	1	Valve Assy, By-Pass 120V (Includes items 2 thru 8)
	27370.0002	1	Valve Assy, By-Pass 240V (Includes items 2 thru 8)
	00970.0000	2	Nut, Keps 8 - 32
2	-----	1	Coil Assy, By-Pass Valve (Not available order item 1)
3	-----	1	Bracket (Not available order item 1)
4	-----	1	Spring (Not available order item 14)
5	-----	1	Plunger (Not available order item 14)
6	23255.0000	1	Diaphragm
7	-----	1	Body (Not available order item 1)
8	-----	4	Screw, 8 - 32
9	12422.0001	2	Clamp, Hose .59"/.66" I.D.
10	-----	1	Tube, Silicone .375" I.D. x .62" O.D. x 11.0" (Order item 13)
11	22738.0000	1	Valve Assy, Needle By-Pass
12	-----	1	Tube, Silicone .375" I.D. x .62" O.D. x 1.20" (Order item 13)
13	20976.1000	1	Tube, Silicone .375" I.D. x .62" O.D. x 12.0"
	20976.1001	1	Tube, Silicone .375" I.D. x .62" O.D. x 36.0"
	20976.1002	1	Tube, Silicone .375" I.D. x .62" O.D. x 120.0"
14	11517.0008	-	Valve Repair Kit (Includes one each of items 4, 5 & 6)
15	12422.0005	2	Clamp, Hose .62/.71 I.D..
16	22396.1000	1	Fitting Assy (Includes nut & sleeve)

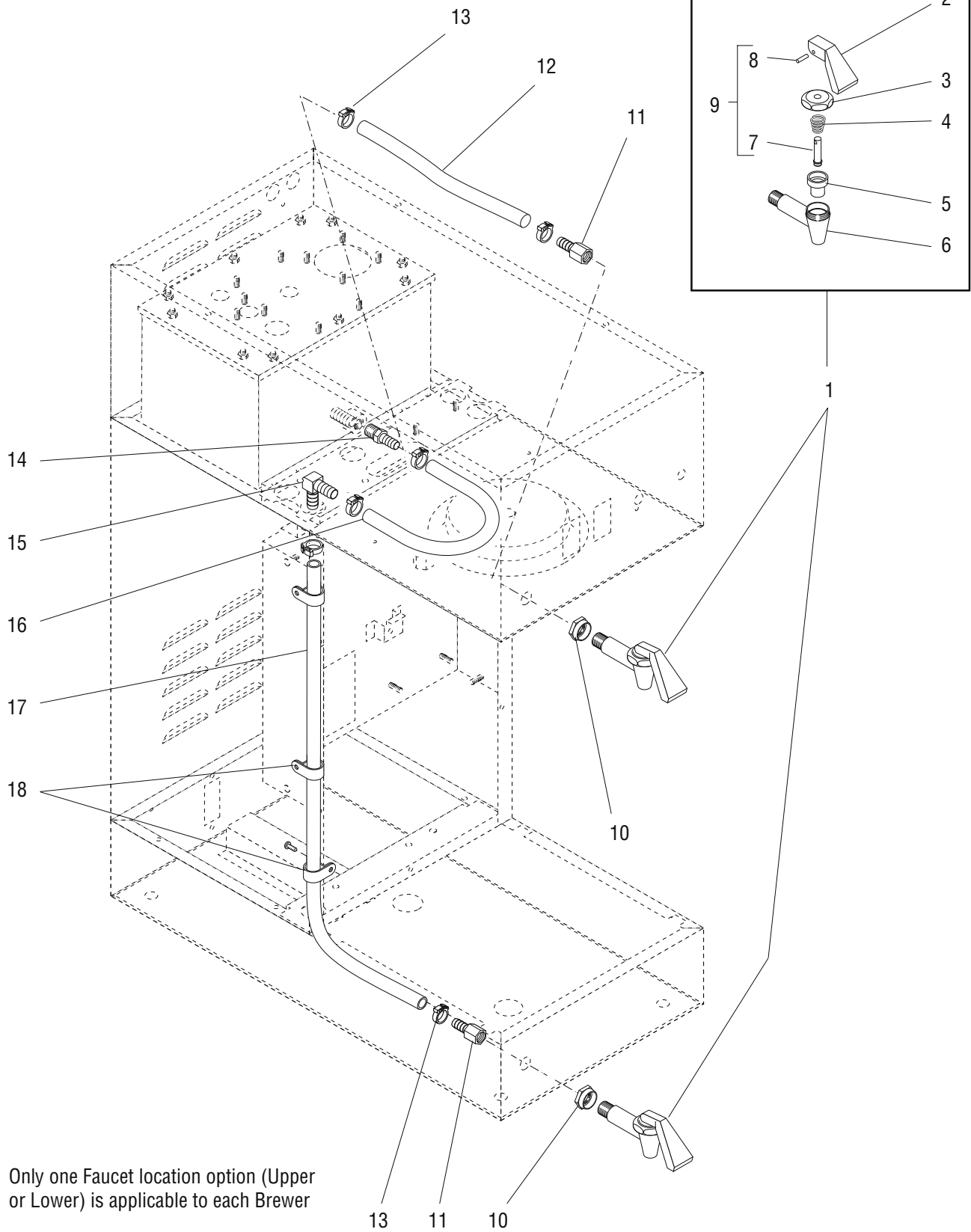
} Not illustrated



DISPENSE VALVE AND SPRAYHEAD

ITEM	PART NO.	QTY.	DESCRIPTION
1	26846.0000	1	Valve Assy, Sprayhead 120V (Includes items 2 thru 8)
	26846.0002	1	Valve Assy, Sprayhead 240V (Includes items 2 thru 8)
2	23254.0000	4	Screw, 8 - 32
3	22305.0000	1	Coil Assy, Dispensing Valve 120V
4	23256.0000	1	Spacer Plate
5	-----	1	Spring (Not available order item 17)
6	-----	1	Plunger (Not available order item 17)
7	23255.0000	1	Diaphragm
8	-----	1	Body (Not available order item 1)
9	21136.0001	1	Fitting, Barb .375" x .25" MPT
10	12422.0001	4	Clamp, Hose .59"/.66" I. D.
11	-----	1	Tube, Silicone .375" I.D. x .62" O.D. x 3.40" (Order item 16)
12	06866.0000	1	Fitting, Tee .38" Barb
13	-----	1	Tube, Silicone .375" I.D. x .62" O.D. x 2.75" (Order item 16)
14	01075.0000	1	Nut, Hex .438" - 20
15	01082.0002	1	Sprayhead
16	20976.1000	1	Tube, Silicone .375" I.D. x .62" O.D. x 12.0"
	20976.1001	1	Tube, Silicone .375" I.D. x .62" O.D. x 36.0"
	20976.1002	1	Tube, Silicone .375" I.D. x .62" O.D. x 120.0"
17	11517.0008	-	Valve Repair Kit (Includes one each of items 5, 6 & 7)

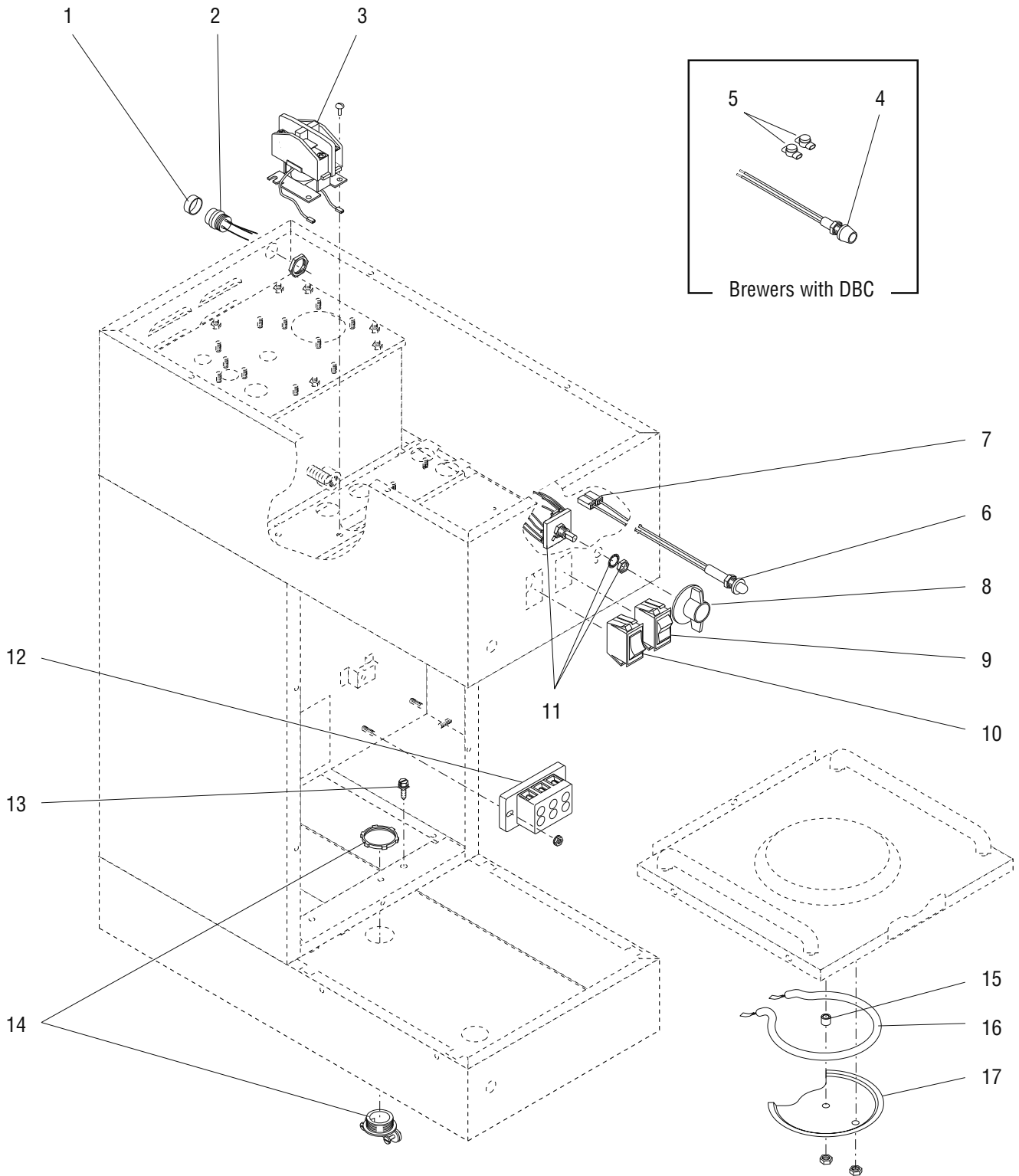
Not illustrated



Only one Faucet location option (Upper or Lower) is applicable to each Brewer

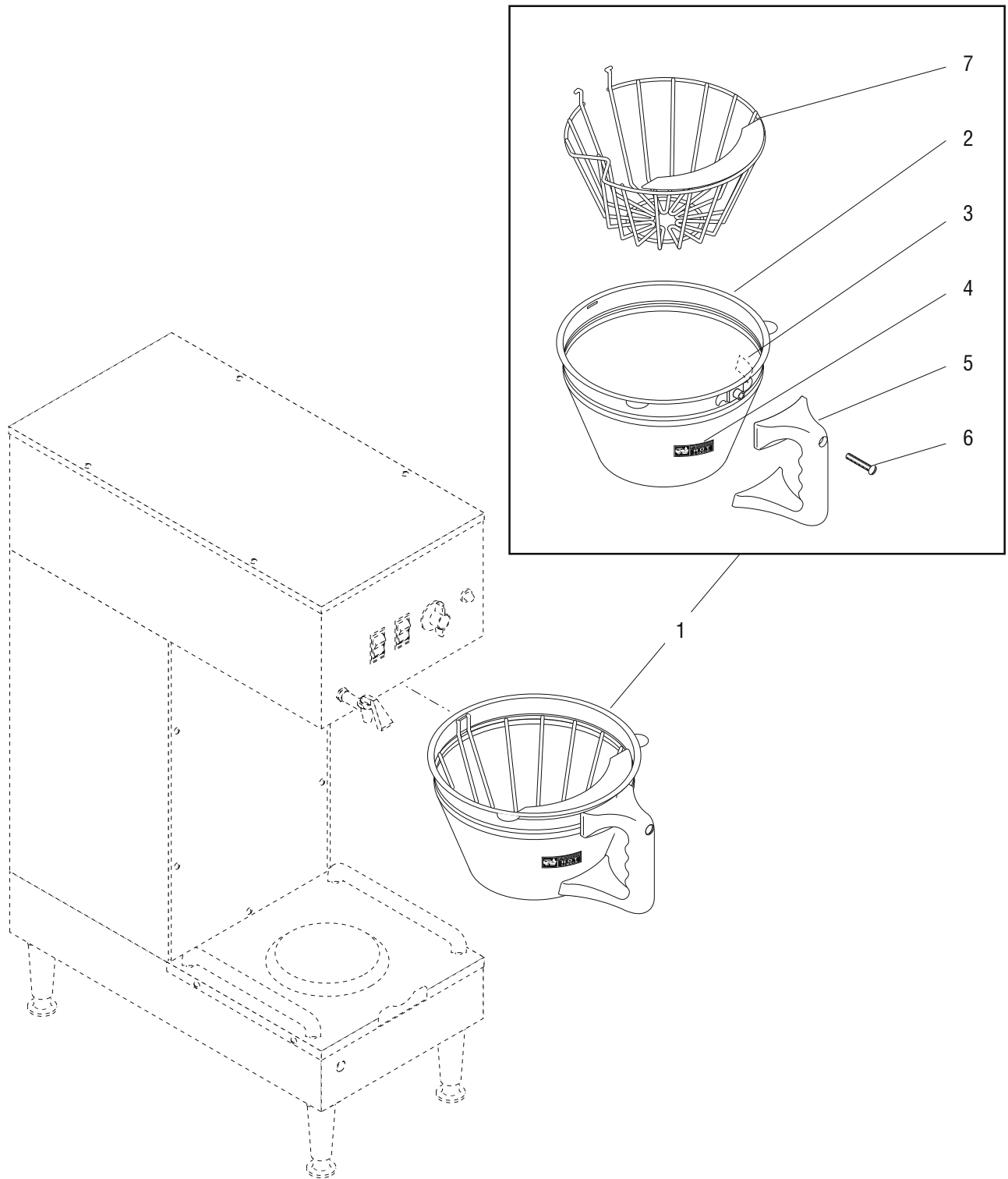
FAUCET - UPPER AND LOWER

ITEM	PART NO.	QTY.	DESCRIPTION	
1	02596.1005	1	Faucet Assy (Includes items 2 thru 8)	
2	02861.0000	1	Handle, Faucet	
3	02854.0000	1	Bonnet, Faucet	
4	02595.0000	1	Spring, Faucet	
5	02766.0000	1	Seat Cup, Faucet	
6	02856.0002	1	Body, Faucet	
7	13054.0000	1	Stem, Faucet	
8	02858.0000	1	Pin, Spring .125" Dia. x .50"	
9	02594.0000	1	Faucet Stem W/Pin (Includes items 7 & 8)	
10	02850.0000	1	Jam Nut, Faucet	
11	12437.0000	1	Adapter, Barb	
12	-----	1	Tube, Silicone .38" I.D. x .62" O.D. x 13.38" (Order item 19) (Brewers With Upper Faucet Only)	
13	12422.0001	2	Clamp, Hose .59" x .66" I.D. (2 additional used with Lower Faucet)	
14	21136.0001	1	Fitting, Barb .375" x .25" MPT	
15	27465.0000	1	Elbow, Union .375" Barb	} Brewers With Lower Faucet Only
16	-----	1	Tube, Silicone .38" I.D. x .62" O.D. x .0" (Order item 19)	
17	-----	1	Tube, Silicone .38" I.D. x .62" O.D. x 30.0" (Order item 19)	
18	00620.0000	3	Clamp, Hose	} Not Illustrated
	02308.0000	1	Screw, Pan Head 8 - 32 x .38"	
19	20976.1000	1	Tube, Silicone .38" I.D. x .62" O.D. x 12.0"	} Not Illustrated
	20976.1001	1	Tube, Silicone .38" I.D. x .62" O.D. x 36.0"	
	20976.1002	1	Tube, Silicone .38" I.D. x .62" O.D. x 120.0"	
20	28706.0002	1	Faucet Repair Kit (Includes Items 2,4,5,7 & 8)	



ELECTRICAL CONTROLS, WARMERS & READY LIGHT

ITEM	PART NO.	QTY.	DESCRIPTION	
1	27657.0000	1	Cap, Socket	
2	12274.0002	1	Socket Assy W/Leads, Interface	
3	06335.0000	1	Contactor Assy, 120V Coil (Brewers with Mechanical Thermostat only)	
	06335.0002	1	Contactor Assy, 240V Coil (Brewers with Mechanical Thermostat only)	
	02308.0000	2	Screw, Pan Head 8 - 32 x .375"	
4	12517.0002	1	Ready Light Replacement Kit (Includes item 5)	} Brewers with DBC only
	25292.0000	1	Lockwasher M6	
	34130.0000	1	Nut M6	
5	27796.0000	2	UR Connector RED 19-2GAWG	
6	12984.0002	1	Light Assy, 120V (Includes item 7)	} Brewers with Mechanical Thermostat only
	12984.0004	1	Light Assy, 240V (Includes item 7)	
7	04243.0000	2	Terminal Housing, Receptacle	
8	12246.0000	1	Knob, Rotary Switch	
9	02753.0000	1	Switch, On/Off 120V	
	02754.0000	1	Switch, On/Off 240V	
10	02628.0000	1	Switch, Momentary- Start	
11	20969.0001	1	Switch Assy, Rotary (Brewers with Mech. Thermostat)	
	20969.0004	1	Switch Assy, Rotary (Brewers with DBC)	
12	07038.0000	1	Terminal Block, 3 Pole (120/240V)	
	01106.0001	1	Terminal Block, 2 Pole (240V)	
	00970.0000	2	Nut, Keps 8 - 32	
13	01309.0000	1	Ground Screw W/Terminal Washer 10 - 32 x .50" 120V/240V	
	01375.0000	1	Ground Screw, Brass Pan Head 10-32 x .50" 240V	
	01512.0000	1	Lockwasher, External Tooth #10 240V	
14	01590.0000	1	Connector, Cable	
15	13042.0001	1	Spacer, .174" I. D. x .188"	
16	01227.0000	1	Warmer Element, 100W 120V	
	01951.0000	1	Warmer Element, 100W 220V	
17	05212.0000	1	Plate, Warmer Retainer	
	00970.0000	2	Nut, Keps 8 - 32	
Note: The following items are not illustrated				
18	27351.0000	1	Wiring Harness, Main 120/240V (Brewers with Mechanical Thermostat only)	
	27351.0001	1	Wiring Harness, Main 240V (Brewers with Mechanical Thermostat only)	
	25646.0000	1	Wiring Harness, Main 120/240V (Brewers with DBC only)	
19	23378.0000	1	Wiring Harness, Contactor (Brewers with Mechanical Thermostat only)	
20	25645.0003	1	Wiring Harness, Signal (Brewers with DBC only)	
21	21012.0004	1	Lead, Electrical Blk 6.50" (Limit Thermostat to Tank Heater)	
22	21016.0012	1	Lead, Electrical GRN/YEL - Ground 240V	



FUNNELS

ITEM	PART NO.	QTY.	DESCRIPTION
1	12300.0005	1	Funnel Assembly, SST Black Handle (Includes items 2 thru 7)
2	22370.0001	1	Funnel W/Decals (Includes items 3 & 4)
3	03408.0000	1	Decal, Caution- Remove Funnel
4	03409.0000	1	Decal, Caution-Hot Liquid
5	12485.0000	1	Handle, Funnel
6	12499.0002	1	Screw, Round Head .25" - 20 x 1.50"
7	33171.0000	1	Basket, Funnel (w/splashguard)

NUMERICAL INDEX

PART NO.	PAGE NO.	PART NO.	PAGE NO.	PART NO.	PAGE NO.	PART NO.	PAGE NO.
00402.0001	13	02594.0000	19	20201.6001	11	27352.0000	13
00463.0000	13	02595.0000	19	20203.0100	11	27354.0000	5
00502.0000	5	02596.1005	19	20526.1500	13	27356.0000	5
00603.0000	11	02628.0000	21	20762.0000	7	27370.0000	15
00619.0007	5	02753.0000	21	20936.1000	11	27370.0002	15
00604.0000	13	02754.0000	21	20969.0001	21	27465.0000	19
00620.0000	19	02766.0000	19	20969.0004	21	27473.0000	11
00656.0000	5	02850.0000	19	20976.1000	15,17,19	27533.0000	5
00658.0000	5	02854.0000	19	20976.1001	15,17,19	27536.0000	5
00669.0000	5	02856.0002	19	20976.1002	15,17,19	27537.0001	5
00720.0000	7	02858.0000	19	20977.1001	13	27537.0002	5
00831.0000	5	02861.0000	19	21012.0004	21	27657.0000	21
00908.0000	11,13	03011.0000	5	21016.0012	21	27796.0000	21
00932.0000	11	03236.1001	11	21136.0001	17,19	28479.0000	13
00946.0000	11	03408.0000	13	22249.0000	13	28480.0000	13
00970.0000	7,9,15,21	03409.0000	13	22300.0500	13	28481.0000	13
00971.0000	11	03633.0000	11	22305.0000	17	28377.0000	7
00973.0000	7,9	03803.0000	11	22370.0001	23	28706.0002	19
00991.0000	5	03807.0000	11	22396.1000	15	32400.0002	7
01075.0000	17	04243.0000	21	22728.0000	11	32400.0003	7
01079.0000	13	04314.0001	7	22738.0000	15	32540.0000	5
01082.0002	17	05212.0000	21	22992.0001	13	33171.0000	23
01085.0002	13	05515.0000	13	23254.0000	17	34130.0000	21
01101.0000	13	06335.0000	21	23255.0000	15,17	M2522.1000	9
01106.0001	21	06335.0002	21	23256.0000	17		
01111.0000	13	06866.0000	17	23378.0000	21		
01111.0002	13	07038.0000	21	23717.0001	11		
01116.0000	13	07073.0000	7	23721.0000	13		
01154.0000	13	07074.1026	7	25151.0000	5		
01155.0000	13	07074.1027	7	25292.0000	21		
01227.0000	21	10044.0000	5	25468.0002	9		
01309.0000	21	11517.0008	15,17	25513.0000	9		
01327.0000	13	12246.0000	21	25645.0003	21		
01347.0002	9	12249.0001	5	25646.0000	21		
01375.0000	21	12274.0002	21	25654.0000	9		
01382.0000	5,9,11	12300.0005	23	25662.0000	9		
01501.0000	11	12364.0000	5	26263.0000	9		
01502.0000	13	12377.0000	11	26528.0000	5		
01511.0000	7	12398.0002	11	26622.0001	11		
01512.0000	21	12422.0000	11	26810.0000	21		
01520.0000	9	12422.0001	15,17,19	26846.0000	17		
01532.0000	13	12442.0005	15	26846.0002	17		
01533.0000	7	12437.0000	19	27035.0000	9		
01533.0004	9	12485.0000	23	27330.0000	11		
01590.0000	21	12499.0002	23	27332.0000	11		
01593.0000	5	12517.0002	21	27340.0000	13		
01667.0000	9	12565.0008	9	27342.0000	13		
01951.0000	21	12568.0003	9	27343.0000	13		
01975.0000	13	12570.0000	9	27344.0000	5		
02302.0000	9	12919.0008	7	27349.1000	11		
02308.0000	7,11,13,19,21	12984.0002	21	27349.1001	11		
02328.0003	9	12984.0004	21	27349.1002	11		
02328.0004	9	13042.0001	21	27349.1003	11		
02367.0000	7	13054.0000	19	27351.0000	21		
02536.0000	11	20201.5600	5	27351.0001	21		