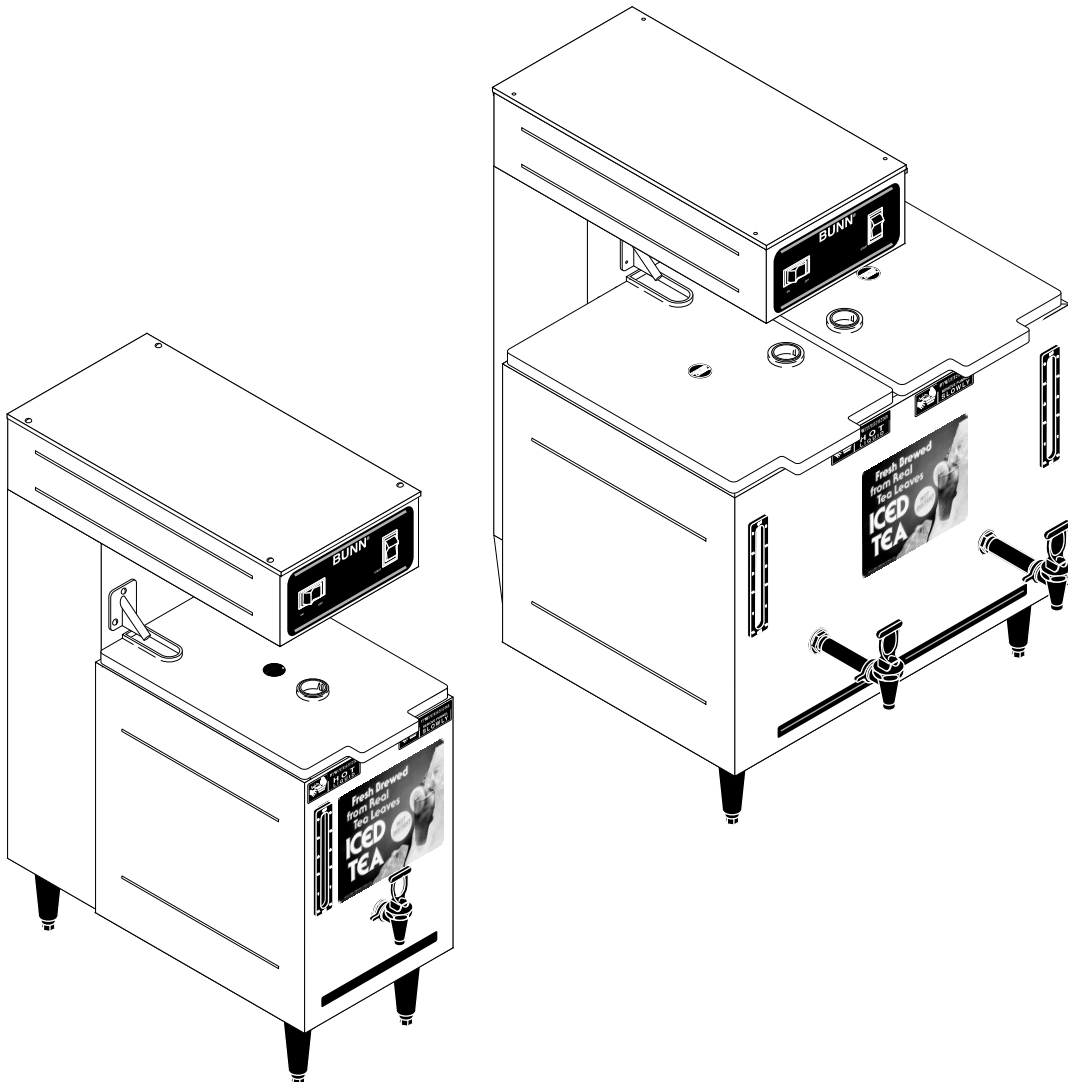


BUNN®

T3, T3A T6, T6A



OPERATING & SERVICE MANUAL

BUNN-O-MATIC CORPORATION

POST OFFICE BOX 3227

SPRINGFIELD, ILLINOIS 62708-3227

TELEPHONE: (217) 529-6601 FAX: (217) 529-6644

CONTENTS

Introduction	2
Warranty	2
User Notices	3
Electrical Requirements	4
Plumbing Requirements	4
Initial Set-Up	5
Adjusting Brew Volumes	6
Operating Controls	6
Cleaning	7
Tea Brewing	7
Troubleshooting	8
Service	14
Wiring Diagrams	28

INTRODUCTION

The T3 will brew a three-gallon batch of fresh tea into a reservoir, the T6 will brew a three-gallon batch into either the right or left reservoir. The tea will be dispensed at approximately room temperature to conserve ice. The brewer is only for indoor use on a sturdy counter or shelf.

WARRANTY

Bunn-O-Matic Corp. (“Bunn”) warrants the equipment manufactured by it to be commercially free from defects in material and workmanship existing at the time of manufacture and appearing within one year from the date of installation. In addition:

- 1.) Bunn warrants electronic circuit and/or control boards to be commercially free from defects in material and workmanship for two years from the date of installation.
- 2.) Bunn warrants the compressor on refrigeration equipment to be commercially free from defects in material and workmanship for two years from the date of installation.
- 3.) Bunn warrants that the grinding burrs on coffee grinding equipment will grind coffee to meet original factory screen sieve analysis for three years from date of installation or for 30,000 pounds of coffee, whichever comes first.

This warranty does not apply to any equipment, component or part that was not manufactured by Bunn or that, in Bunn’s judgement, has been affected by misuse, neglect, alteration, improper installation or operation, improper maintenance or repair, damage or casualty.

THE FOREGOING WARRANTY IS EXCLUSIVE AND IS IN LIEU OF ANY OTHER WARRANTY, WRITTEN OR ORAL, EXPRESS OR IMPLIED, INCLUDING, BUT NOT LIMITED TO, ANY IMPLIED WARRANTY OF EITHER MERCHANTABILITY OR FITNESS FOR A PARTICULAR PURPOSE. The agents, dealers or employees of Bunn are not authorized to make modifications to this warranty or to make additional warranties that are binding on Bunn. Accordingly, statements by such individuals, whether oral or written, do not constitute warranties and should not be relied upon.

The Buyer shall give Bunn prompt notice of any claim to be made under this warranty by telephone at (217) 529-6601 or by writing to Post Office Box 3227, Springfield, Illinois, 62708-3227. If requested by Bunn, the Buyer shall ship the defective equipment prepaid to an authorized Bunn service location. If Bunn determines, in its sole discretion, that the equipment does not conform to the warranty, Bunn shall repair the equipment with no charge for parts during the warranty period and no charge for labor by a Bunn Authorized Service Representative during the warranty period. If Bunn determines that repair is not feasible, Bunn shall, at its sole option, replace the equipment or refund the purchase price for the equipment.

THE BUYER’S REMEDY AGAINST BUNN FOR THE BREACH OF ANY OBLIGATION ARISING OUT OF THE SALE OF THIS EQUIPMENT, WHETHER DERIVED FROM WARRANTY OR OTHERWISE, SHALL BE LIMITED, AS SPECIFIED HEREIN, TO REPAIR OR, AT BUNN’S SOLE OPTION, REPLACEMENT OR REFUND.

In no event shall Bunn be liable for any other damage or loss, including, but not limited to, lost profits, lost sales, loss of use of equipment, claims of Buyer’s customers, cost of capital, cost of down time, cost of substitute equipment, facilities or services, or any other special, incidental or consequential damages.

USER NOTICES

Carefully read and follow all notices on the equipment and in this manual. They were written for your protection. All notices on the equipment should be kept in good condition. Replace any unreadable or damaged labels.

#00831.0000

⚠ WARNING
<ul style="list-style-type: none">◆ Fill water tank before turning -on thermostat or connecting appliance to power source.◆ Use only on a properly protected circuit capable of the rated load.◆ Electrically ground the chassis.◆ Follow national/local electrical codes.◆ Do not use near combustibles.
FAILURE TO COMPLY RISKS EQUIPMENT DAMAGE, FIRE, OR SHOCK HAZARD
READ THE ENTIRE OPERATING MANUAL BEFORE BUYING OR USING THIS PRODUCT
THIS APPLIANCE IS HEATED WHENEVER CONNECTED TO A POWER SOURCE
<small>00831.0000F 3/98 © 1988 BUNN-O-MATIC CORPORATION</small>

#00656.0000

This equipment is to be installed to comply with the Basic Plumbing Code of the Building Officials and Code Administrators International, Inc. (BOCA) and the Food Service Sanitation Manual of the Food and Drug Administration (FDA).

#03408.0000

	⚠ WARNING
	REMOVE FUNNEL SLOWLY

#03409.0000

	⚠ WARNING
	HOT LIQUID

ELECTRICAL REQUIREMENTS

CAUTION - The brewer must be disconnected from the power source until specified in *Initial Set-Up*.

120V model brewers require 2-wire, grounded service rated 120 volts ac, 15 amp, single phase, 60 Hz.

"A" model brewers require 2-wire, grounded service rated 240 volts ac, 10 amp, single phase, 50 Hz.

"B" model brewers require 2-wire, grounded service rated 100 volts ac, 15 amp, single phase, 60 Hz.

Proceed as follows:

Electrical Hook-Up

CAUTION – Improper electrical installation will damage electronic components.

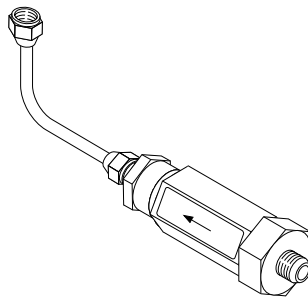
1. An electrician must provide electrical service as specified.
2. Using a voltmeter, check the voltage and color coding of each conductor at the electrical source.
3. Remove top cover from the brewer.
4. Rotate the control thermostat knob fully counterclockwise to the "OFF" position and replace the top cover.
5. Connect the brewer to the power source.
6. If plumbing is to be hooked up later be sure the brewer is disconnected from the power source. If plumbing has been hooked up, the brewer is ready for *Initial Set-Up*.

PLUMBING REQUIREMENTS

These brewers must be connected to a cold water system with operating pressure between 20 (138) and 90 psi (620 kPa) from a ½" or larger supply line. A shut-off valve should be installed in the line before the brewer. Install a regulator in the line when pressure is greater than 90 psi (620 kPa) to reduce it to 50 psi(345 kPa). The water inlet fitting is ¼" flare.

NOTE - Bunn-O-Matic recommends ¼" copper tubing for installations of less than 25 feet and ⅜" for more than 25 feet from the ½" water supply line. A tight coil of copper tubing in the water line will facilitate moving the brewer to clean the countertop. Bunn-O-Matic does not recommend the use of a saddle valve to install the brewer. The size and shape of the hole made in the supply line by this type of device may restrict water flow.

This equipment must be installed to comply with the Basic Plumbing Code of the Building Officials and Code Administrators International, Inc. (BOCA) and the Food Service Sanitation Manual of the Food and Drug Administration (FDA).



1. Remove the shipping cap from the bulkhead fitting on the bottom of the brewer.
2. Attach the flare fitting from the short piece of tubing on the strainer/flow control (supplied) to the water inlet fitting at the rear of the brewer.
3. Flush the water line and securely attach it to the flare fitting on the strainer/flow control.
4. Turn on the water supply.

INITIAL SET-UP (FILL & HEAT)

CAUTION - The brewer must be disconnected from the power source throughout the *Initial Set-Up*, except when specified in the instructions.

1. Complete the electrical and plumbing instructions prior to starting this procedure.
2. Remove the top panel and check that the thermostat dial is rotated fully counterclockwise to the “OFF” position.
3. Set the delay dial at eight minutes. Replace top panel. Plug in brewer.
4. Remove the filter screen and metal ferrule from the funnel to speed this procedure. Insert the funnel into the funnel rail and push it until it stops. Rotate the funnel handle to the left or right (T6) to align the funnel discharge over the hole in the reservoir cover. (Model T3 funnel does not rotate.)
5. Turn the ON/OFF switch (T3) to “ON” or SELECTOR switch (T6) to the “LEFT” or “RIGHT” and momentarily depress the start switch. Water will immediately start flowing into the water tank and will automatically shut off at the end of three minutes. Depress the start switch again. During the second period the tank will fill to its capacity and the excess will flow from the sprayhead and out of the funnel.
6. Wait until the flow stops then turn the ON/OFF or SELECTOR switch to the “OFF” position.
7. Rotate the thermostat fully clockwise, (“ON”) and wait for the water tank to stabilize at its proper temperature. During this period some water will come out of the funnel due to expansion, this will not occur thereafter.
8. Turn the ON/OFF switch (T3) to “ON” or SELECTOR switch (T6) to the “LEFT” or “RIGHT” and depress the start switch to cycle the control thermostat.
9. Wait until the flow stops then turn the ON/OFF or SELECTOR switch to the “OFF” position.
10. The brewer is now ready for initial timer adjustment.

INITIAL TIMER ADJUSTMENT

1. Complete the initial fill and heat instructions prior to starting this procedure.
2. With the filter screen and metal ferrule removed from the funnel, water will flow quickly from the funnel and speed this procedure. Insert the funnel into the funnel rails and push it until it stops. Rotate the funnel handle to the left or right (T6) to align the funnel discharge over the hole in the reservoir cover. (Model T3 funnel does not rotate.)
3. Check the delay dial is at eight minutes and the dilution dial is at three minutes and forty-five seconds.
4. Empty the tea reservoir of any water that may have accumulated.
5. Turn the ON/OFF switch to “ON” (T3), or the SELECTOR switch to “LEFT” or “RIGHT”, (T6), and momentarily depress the start switch. After a few seconds water should flow from the funnel into the reservoir. Allow this to continue until it stops and immediately turn the ON/OFF or SELECTOR switch to “OFF”.
6. Measure the water collected in the reservoir. It should equal seventy-six ounces. If it is less or more than this amount, adjust the brew timer accordingly (See *Adjusting Brew Volumes*) and repeat Steps 5 and 6 until you get the proper amount.
7. Rotate the delay dial fully counterclockwise to speed this next procedure. Drain the reservoir.
8. Momentarily depress the start switch and allow both the concentrate and dilution cycles to occur. When all water stops flowing, the level in the reservoir should be in the middle of the two lower stud heads that hold the dilution water nozzle in place. If it is not correct, rotate the dilution dial up or down accordingly and repeat this step until the proper level is achieved.
9. Return the delay dial to eight minutes.

INITIAL TIMER ADJUSTMENT (cont.)

10. Install the ferrule and screen in the funnel. Load the funnel with a BUNN® paper filter and approximately four ounces of loose tea leaves. Depress the start button to brew tea and observe the funnel drip out and the dilution streams near the end of the cycle. The dilution stream should stop approximately thirty seconds after the drip out has stopped.
11. If this does not happen, load the funnel with a fresh filter and tea, rotate the delay dial up or down accordingly and repeat Step 10 until proper timing is achieved.
12. Replace the top panel. The brewer is now ready for normal operation.

ADJUSTING BREW VOLUMES

CAUTION - Disconnect the power source from the brewer prior to the removal of any panel for the replacement or adjustment of any component.

NOTE: Prior to setting or modifying batch sizes, check that the brewer is connected to water supply, the tank is properly filled, and a funnel and server are in place.

1. **Modifying batch sizes.** To modify a batch volume, first check that the SET/LOCK switch is in the "SET" position on the circuit board.

To increase a batch size. Press and hold the START or BREW switch until three clicks are heard. Release the switch (Failure to release the switch within two seconds after the third click causes the volume setting to be aborted and previous volume setting will remain in memory) and press it again one or more times. Each time the switch is pressed, two seconds are added to the brew time period. Allow the brew cycle to finish in order to verify that the desired volume has been achieved.

To decrease a batch size. Press and release the START or BREW switch once for every two-second interval to be removed from the total brew time period; then immediately press and hold down the START or BREW switch until three clicks are heard. Release the switch. (Failure to release the switch within two seconds after the third click causes the volume setting to be aborted and previous volume setting will remain in memory). Allow the brew cycle to finish in order to verify that the desired volume has been achieved.

2. **Setting batch sizes.** To set a batch volume, first check that the SET/LOCK switch is in the "SET" position on the circuit board. Press and hold the START or BREW switch until three distinct clicks are heard, and then release the switch. (Failure to release the switch within two seconds after the third click causes the volume setting to be aborted and previous volume setting will remain in memory). View the level of the liquid being dispensed. When the desired level is reached, turn the ON/OFF switch to "OFF" (lower). The brewer remembers this volume and will continue to brew batches of this size until the volume setting procedure is repeated.

NOTE: When brewing coffee, batch volumes will decrease due to absorption by the coffee grounds.

3. **Setting programming disable feature.** If it becomes necessary to prevent anyone from changing brew times once programmed, you can set the SET/LOCK switch to the "LOCK" position. This will prevent any programming to be done until switch is once again placed in the "SET" position.

OPERATING CONTROLS

A. ON/OFF SWITCH (T3 ONLY)

ON - Placing the switch in the "ON" (left) position allows the start switch to activate a timed brew cycle for three gallons of tea.

OFF - Placing the switch in the "OFF" (right) position stops the brew cycle. Stopping a brew cycle after it has been started will not stop the flow of water into the funnel until the tank syphons down to its proper level. **The switch should always be placed in this position after a brew cycle and whenever the brewer is unattended.**

OPERATING CONTROLS (cont.)

B. SELECTOR SWITCH (T6 ONLY)

Placing the selector switch in the "ON" (left or right) position allows the start switch to activate a timed brew cycle for three gallons of tea. It also selects into which reservoir dilution water will be introduced. **This switch should always be in the "OFF" (center) position after a brew cycle or when the brewer is unattended.**

C. START SWITCH

Starts a brew cycle when the ON/OFF or SELECTOR switch is in the "ON" position.

CLEANING

CAUTION - CLEAN AND SANITIZE YOUR ICED TEA BREWER DAILY

1. Remove and thoroughly clean the entire brew funnel. The funnel tip and screen must be free from any tea particles or residue. Reassemble the funnel.
2. Place the ON/OFF or SELECTOR switch in the "OFF" position. Remove and thoroughly rinse the sprayhead. The holes must be open and clear of any mineral deposits. Wipe the sprayhead panel clean with a damp cloth.
3. Insert the delimiting spring into the sprayhead fitting until no more than two inches is visible and move it in and out 5 or 6 times. Insert the spring into the airvent hole in the sprayhead panel and move it in and out 5 or 6 times. Reattach the sprayhead.
4. Twist the faucet shank nut in a clockwise direction and remove the faucet from the brewer.
5. Thoroughly clean the entire inside surface of the reservoir, the surfaces behind the reservoir rim, and the faucet with a brush using a mild detergent and water solution. Rinse the reservoir and shank in warm water.
6. Disassemble the faucet. The faucet cleaning procedure requires a three compartment sink. Thoroughly wash all faucet parts in a mild detergent and water solution in the first sink. Rinse the parts in hot water in the second sink. Sanitize the parts for one minute in 75° warm chlorine solution (at least 50 ppm) in the third sink. Reassemble the faucet and attach it to the brewer.
7. Sanitize all exposed surfaces of the reservoir with a 75° warm chlorine solution (at least 100 ppm). Empty the reservoir, insert the brew funnel and thoroughly rinse everything by running two complete brew cycles, empty the reservoir after each brew cycle.
8. Wash the entire outside surface of the brewer with a clean damp cloth.

CAUTION - DO NOT KEEP BREWED ICED TEA OVERNIGHT. THE SERVER MUST BE CLEANED DAILY.

TEA BREWING

1. Begin each brew cycle with a clean empty brew funnel and reservoir(s).
2. Insert a BUNN® filter into the funnel.
3. Pour the packet of loose fresh tea leaves into the filter. Approximately four ounces is recommended.
4. Level the bed of tea leaves by gently shaking.
5. Slide the funnel into the funnel rails until it stops. On T6 brewers, fully rotate the funnel handle to the left or right to align the funnel discharge over the selected reservoir.
6. Place the ON/OFF or SELECTOR switch in the "ON" position.
7. Momentarily press the start switch.

CAUTION - The funnel contains hot liquids. Remove funnel slowly.

8. Carefully remove the brew funnel and discard the used filter when tea no longer drips from the funnel tip.
9. Place the ON/OFF or SELECTOR switch in the "OFF" position to prevent a false start.
10. Fresh tea is available at the faucet.

TROUBLESHOOTING

A troubleshooting guide is provided to suggest probable causes and remedies for the most likely problems encountered. If the problem remains after exhausting the troubleshooting steps, contact the Bunn-O-Matic Technical Service Department.

- Inspection, testing, and repair of electrical equipment should be performed only by qualified service personnel.
- All electronic components have 120 volt ac and low voltage dc potential on their terminals. Shorting of terminals or the application of external voltages may result in board failure.
- Intermittent operation of electronic circuit boards is unlikely. Board failure will normally be permanent. If an intermittent condition is encountered, the cause will likely be a switch contact or a loose connection at a terminal or crimp.
- Solenoid removal requires interrupting the water supply to the valve. Damage may result if solenoids are energized for more than ten minutes without a supply of water.
- The use of two wrenches is recommended whenever plumbing fittings are tightened or loosened. This will help to avoid twists and kinks in the tubing.
- Make certain that all plumbing connections are sealed and electrical connections tight and isolated.
- This brewer is heated at all times. Keep away from combustibles.

WARNING –

- Exercise extreme caution when servicing electrical equipment.
- Unplug the brewer when servicing, except when electrical tests are specified.
- Follow recommended service procedures
- Replace all protective shields or safety notices

Problem	Probable Cause	Remedy
Brew cycle will not start	1. No water	Water lines and valves to the brewer must be open.
	2. No power or incorrect voltage to the brewer	Check circuit breakers or fuses.
	3. External Strainer/ Flow Control (.750 GPM)	(A) Direction of flow arrow must be pointing towards the brewer. (B) Remove the strainer/flow control and check for obstructions. Clear or replace.
	4. (A) ON/OFF Switch (T3) (B) Selector Switch (T6)	Refer to <i>Service</i> - ON/OFF Switch for testing. See page 24 Refer to <i>Service</i> - Selector Switch for testing. See page 24

TROUBLESHOOTING (cont.)

PROBLEM

PROBABLE CAUSE

REMEDY

Brew cycle will not start (cont.)

5. Start Switch

Refer to *Service* - Start Switch for testing procedures. See page 26

6. Brew Timer

Refer to *Service* - Brew Timer for testing procedures. See page 17 or 18

7. Brew Solenoid Valve

Refer to *Service* - Brew Solenoid Valve for testing procedures. See page 15

8. Internal Flow control (.195 GPM)

(A) Direction of flow arrow must be pointing towards brewer.

(B) Remove the flow control and check for obstructions. Clear or replace.

Water is not hot

1. Limit Thermostat

CAUTION - Do not eliminate or bypass limit thermostat or thermal cut-off. Use only BOM replacement part #29329.1000

Refer to *Service* - Limit Thermostat for testing procedures. See page 23

2. Control Thermostat

Refer to *Service* - Control Thermostat for testing procedures. See page 20

3. Tank Heater

Refer to *Service* - Tank Heater for testing procedures. See page 27

Dilution cycle will not start

1. (A) ON/OFF Switch (T3)

Refer to *Service* - ON/OFF Switch for testing procedures. See page 24

(B) Selector Switch (T6)

Refer to *Service* - Selector Switch for testing procedures. See page 24

2. Start Switch

Refer to *Service* - Start Switch for testing procedures. See page 26

3. Dilution Timer

Refer to *Service* - Dilution Timer for testing procedures. See page 22

TROUBLESHOOTING (cont.)

PROBLEM

Dilution cycle will not start (cont.)

PROBABLE CAUSE

4. Dilution Solenoid Valve

REMEDY

Refer to *Service* - Dilution Solenoid Valve for testing procedures. See page 21

Inconsistent beverage level in dispenser

1. Internal Flow Control (.195 GPM)

(A) Direction of flow arrow must be pointing towards the brewer.

(B) Remove the flow control and check for obstruction. Clear or replace.

2. Syphon System

The brewer must be level or slightly lower in front to syphon properly.

3. Lime Build-up

CAUTION - Tank and tank components should be delimed regularly depending on local water conditions. Excessive mineral build-up on stainless steel surfaces can initiate corrosive reactions resulting in serious leaks.

Inspect the tank assembly for excessive lime deposits. Delime as required.

4. Water Pressure

The water pressure to the brewer must be at least 20 psi (138 kPa).

Consistently high or low beverage level in the dispenser

1. Brew Timer/Dilution Timer

With the ON/OFF switch "ON" adjust the brew timer to achieve the recommended 76 oz of concentrate then the dilution timer to achieve a total of 396 oz for each three-gallon brew cycle.

2. External Strainer/Flow Control (.750GPM)

(A) Direction of flow arrow must be pointing towards brewer.

(B) Remove the strainer/flow control and check for obstructions. Clear or replace.

TROUBLESHOOTING (cont.)

PROBLEM

PROBABLE CAUSE

REMEDY

Spitting or excessive steaming

1. Lime Build-up
CAUTION - Tank and tank components should be delimed regularly depending on local water conditions. Excessive mineral build-up on stainless steel surfaces can initiate corrosive reactions resulting in serious leaks.

Inspect tank assembly for excessive lime deposits. Delime as required.

2. Control Thermostat

Refer to *Service* - Control Thermostat for testing procedures. See page 20

Drip-out time too long

1. Funnel Tip

The brew funnel should be cleaned thoroughly before each brew cycle to lessen the chance of tea leaf particles clogging the drip-out tip.

Dripping from sprayhead

1. Syphon System

The brewer must be level or slightly lower in front to syphon properly.

2. Lime Build-up
CAUTION - Tank and tank components should be delimed regularly depending on local water conditions. Excessive mineral build-up on stainless steel surfaces can initiate corrosive reactions resulting in serious leaks.

Inspect the tank assembly for excessive lime deposits. Delime as required.

3. Brew Solenoid Valve

Refer to *Service* - Brew Solenoid Valve for testing procedures. See page 15

Water flows into tank continuously (ON/OFF or Selector Switch "ON")

1. Brew Timer

Refer to *Service* - Brew Timer for testing procedures. See page 17 or 18

Water flows into tank continuously (ON/OFF or Selector Switch "OFF")

1. Brew Solenoid Valve

Refer to *Service* - Brew Solenoid Valve for testing procedures. See page 15

TROUBLESHOOTING (cont.)

PROBLEM

PROBABLE CAUSE

REMEDY

Beverage overflows dispenser

1. Dispenser

The dispenser must be completely empty before starting a brew cycle.

2. Brew Timer

Refer to *Service* - Brew Timer for testing procedures. See page 17 or 18

3. Brew Solenoid Valve

Remove the Brew Solenoid Valve and clean any obstruction. Rebuild or replace the valve if necessary. See page 15

4. Dilution Timer

Refer to *Service* - Dilution Timer for testing procedures. See page 22

5. Dilution Solenoid Valve

Refer to *Service* - Dilution Solenoid Valve for testing procedures. See page 21

Weak beverage

1. Filter Type

BUNN® paper filters must be used for proper extraction.

2. Tea

A sufficient quantity of fresh, loose tea leaves should be used for proper extraction.

3. Sprayhead

A six-hole stainless steel sprayhead must be used for proper extraction.

4. Funnel Loading

The BUNN® paper filter must be centered in the funnel and the bed of tea leaves leveled by gentle shaking.

5. Water Temperature

Place an empty funnel into the funnel rails on the brewer. Initiate a brew cycle and check the water temperature immediately below the sprayhead with a thermometer. The reading should not be less than 200°F(93°C). Adjust the control thermostat to increase the water temperature. Replace if necessary.

TROUBLESHOOTING (cont.)

PROBLEM	PROBABLE CAUSE	REMEDY
Dry tea leaves remain in the funnel	1. Funnel Loading	The BUNN® paper filter must be centered in the funnel and the bed of grounds leveled by gently shaking.
Brewer is making unusual noises	1. Solenoid(s)	The nut on the solenoid(s) must be tight or it will vibrate during operation.
	2. Plumbing Lines	Plumbing lines should not be resting on the counter top.
	3. Water Supply	(A) The brewer must be connected to a cold water line. (B) Water pressure to the brewer must not exceed 90 psi(620 kPa). Install a regulator if necessary to lower the working pressure to approximately 50 psi (345 kPa).
	4. Tank Heater	Remove and clean lime off the tank heater. See page 27

SERVICE

This section provides procedures for testing and replacing various major components used in this brewer should service become necessary. Refer to *Troubleshooting* for assistance in determining the cause of any problem.

WARNING - Inspection, testing, and repair of electrical equipment should be performed only by qualified service personnel. The brewer should be disconnected from the power source when servicing, except when electrical tests are required and the test procedure specifically states to plug in the brewer.

COMPONENT ACCESS

WARNING - Disconnect the brewer from the power source before the removal of any panel or the replacement of any component.

All components are accessible by the removal of the top cover and rear inspection panel.

The top cover is attached with four #6-32 screws. Removal of the top cover will allow access to ON/OFF or SELECTOR switch, start switch, brew timer, dilution timer, control thermostat, limit thermostat and tank heater,

The rear inspection panel is attached with six #8-32 screws. Removal of the rear panel will allow access to the brew solenoid valve, dilution solenoid valve(s) and .195 GPM flow control and check valve.

Contents

Brew Solenoid Valve	15
Brew Timer (Early Models)	17
Digital Brew Timer (Late Models)	18
Control Thermostat	20
Dilution Solenoid Valve	21
Dilution Timer	22
Limit Thermostat	23
ON/OFF Switch & Selector Switch	24
Start Switch	26
Tank Heater	27
Wiring Diagrams	28 thru 30

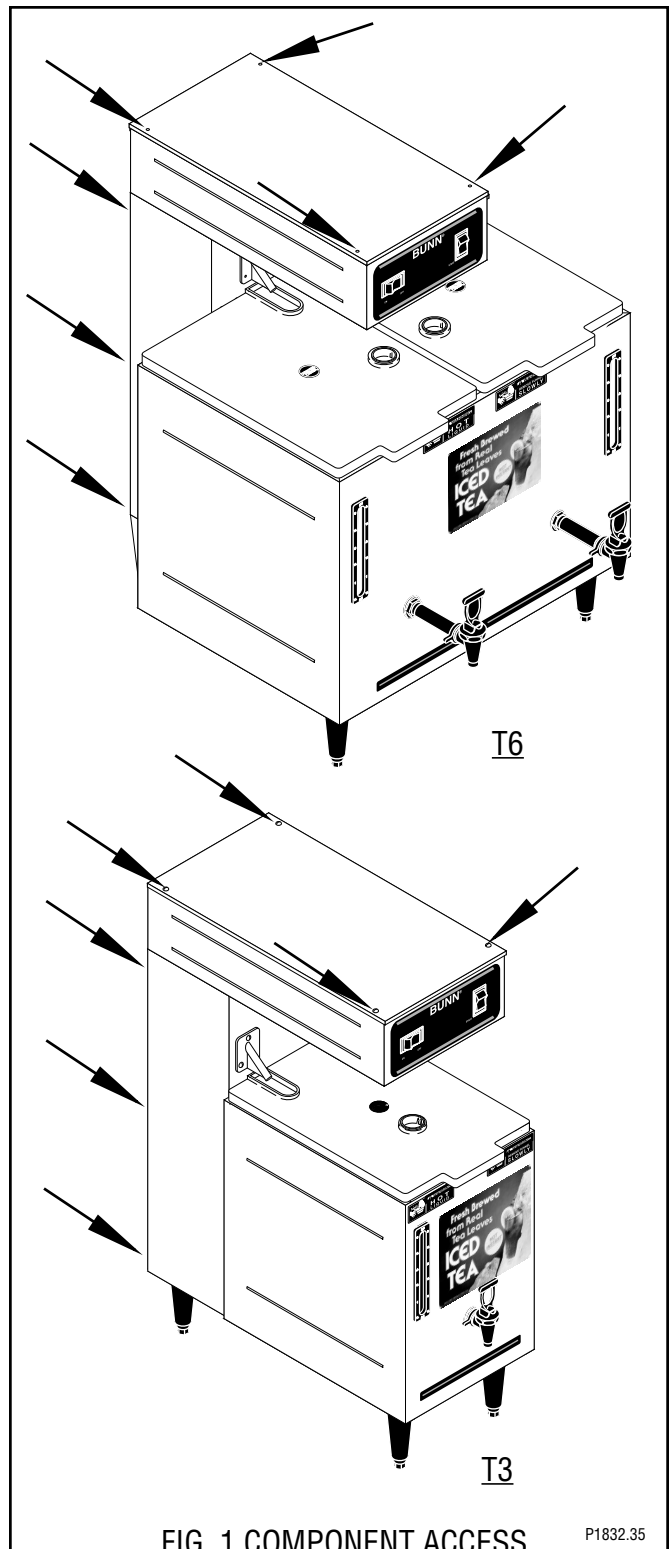


FIG. 1 COMPONENT ACCESS

P1832.35

SERVICE (cont.)

BREW SOLENOID VALVE

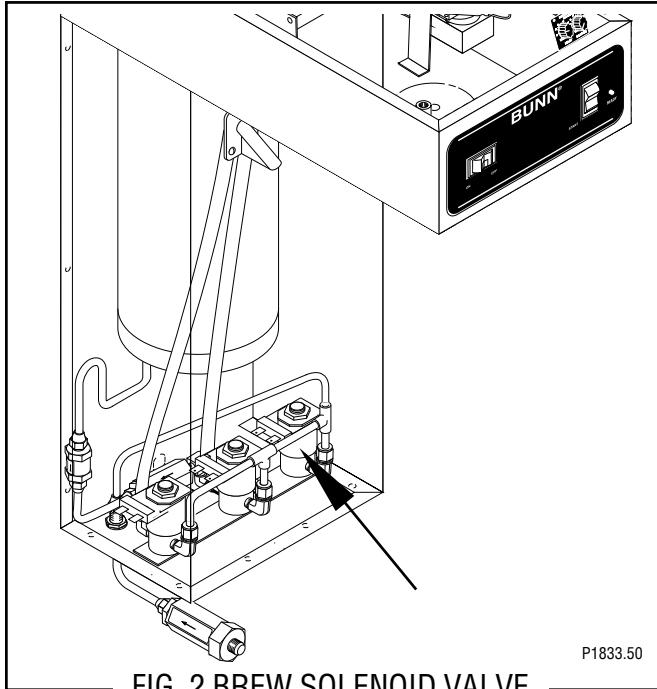


FIG. 2 BREW SOLENOID VALVE

Location:

Viewing the brewer from the rear the brew solenoid valve is mounted on the left side of the mounting bracket.

Test Procedures:

1. Disconnect the brewer from the power source.
2. Disconnect the white/violet and white/green wires from the solenoid valve. With the ON/OFF or SELECTOR switch in the "ON" (T3 left, T6 Left or right) position and press the start switch.
3. With a voltmeter, check the voltage across the white/violet and white/green wires. Connect the brewer to the power source. The indication must be:
 - a) 120 volts ac for two wire 120 volt models.
 - b) 240 volts ac for two wire 240 volt models.
 - c) 100 volts ac for two wire 100 volt models.
4. Disconnect the brewer from the power source,

If voltage is present as described, proceed to #5.

If voltage is not present as described, refer to *Wiring Diagrams* and check brewer wiring harness.

5. Check for continuity across the solenoid valve coil terminals.

If continuity is present as described, reconnect the white/violet from the switch and white/green wire from the brew timer.

If continuity is not present as described, replace the solenoid valve.

6. Check the solenoid valve for coil action. Connect the brewer to the power source. With ON/OFF or SELECTOR switch in the "ON" (T3 left, T6 left or right) position press start switch and listen carefully in the vicinity of the solenoid valve for a "clicking" sound as the coil magnet attracts.
7. Disconnect the brewer from the power source.

If the sound is heard as described and water will not pass through the solenoid valve, there may be a blockage in the water line before the solenoid valve or, the solenoid valve may require inspection for wear, and removal of waterborne particles.

If the sound is not heard as described, replace the solenoid valve.

Removal and Replacement:

1. Remove all wires from solenoid valves.
2. Turn off the water supply to the brewer.
3. Disconnect the water lines to and from the solenoid valves.
4. Remove the two #8-32 keps nuts holding the mounting bracket to the brewer base.
5. Lift out the bracket.
6. Remove the two #10-32 slotted-head screws holding the solenoid valve to the mounting bracket.
7. Securely install the new solenoid valve to the mounting bracket.
8. Attach the mounting bracket to the brewer base.
9. Securely fasten the water lines to and from the solenoid valves.
10. Refer to the Fig. 3 when reconnecting the wires.

SERVICE (cont.)

BREW SOLENOID VALVE (cont.)

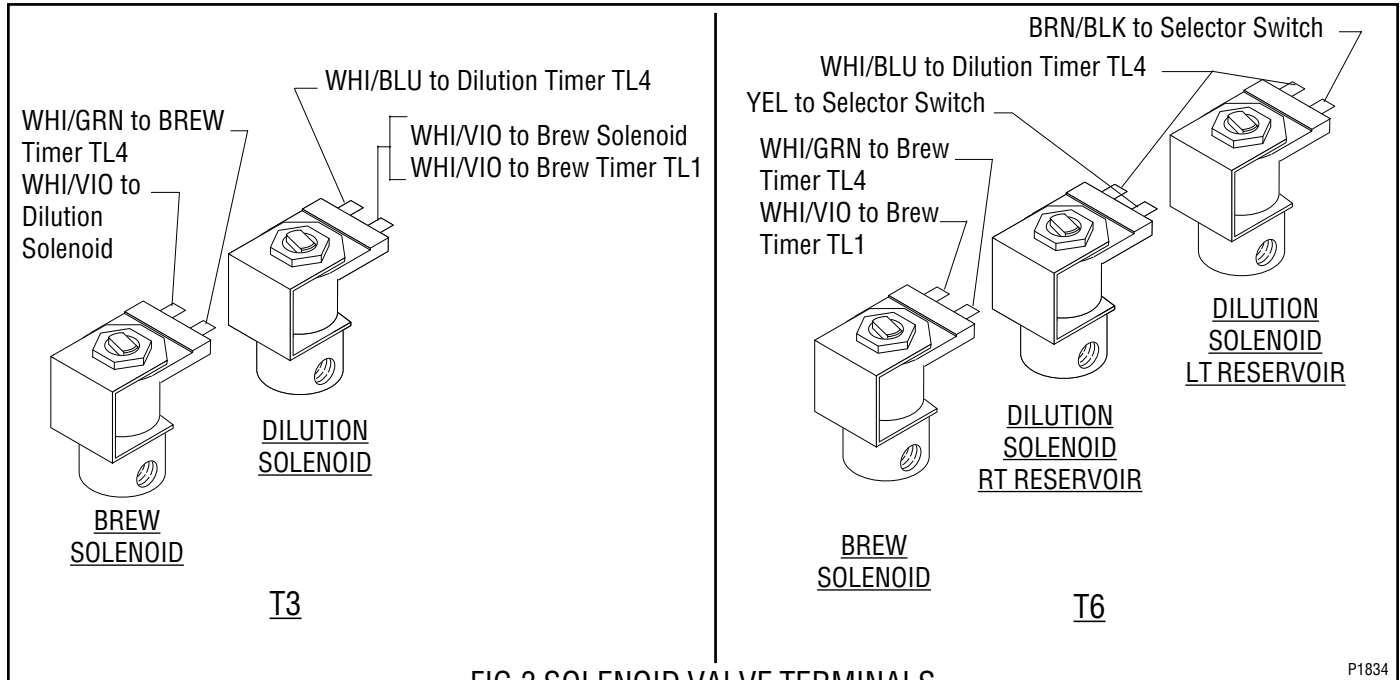


FIG.3 SOLENOID VALVE TERMINALS

P1834

SERVICE (cont.)

BREW TIMER

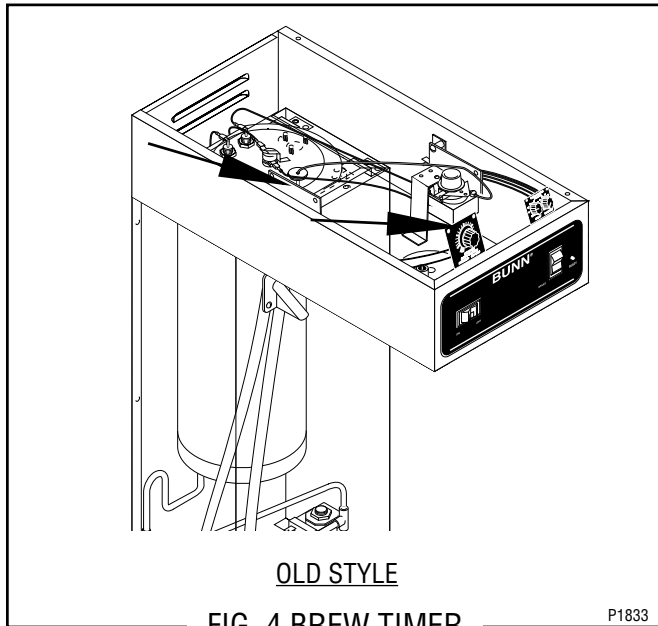


FIG. 4 BREW TIMER

Location:

The brew timer is located in the hood. It consists of the left dial plate and circuit board.

Test Procedure:

1. Disconnect the brewer from the power source.
2. Remove the wires from terminals TL3, TL4, & TL5 of the timer and rotate the dial fully counterclockwise.
2. With a voltmeter, check the voltage across terminals TL1 and TL2 when the ON/OFF or SELECTOR switch is in the "ON" (T3 left, T6 left or right) position. Connect the brewer to the power source. The indication must be:
 - a) 120 volts ac for two wire 120 volt models.
 - b) 240 volts ac for two wire 240 volt models.
 - c) 100 volts ac for two wire 100 volt models.
3. Disconnect the brewer from the power source.

If voltage is present as described, proceed to #4.

If voltage is not present as described, refer to the *Wiring Diagrams* and check the wiring harness.

4. Check for continuity across the white/orange and white/yellow wires when the start switch is held in the lower position.

If continuity is present as described, refer to Fig. 5 and reconnect the wires to terminals TL3, TL4, & TL5 of the timer board and proceed to #5.

If continuity is not present as described, refer to the

Wiring Diagrams and check the wiring harness.

5. Check the voltage across terminals TL1 and TL4 with a voltmeter when the ON/OFF or SELECTOR switch is in the "ON" (T3 left, T6 left or right) position and the start switch is momentarily placed in the lower position. Connect the brewer to the power source. The indication must be:
 - a) 120 volts ac for two wire 120 volt models for approximately twenty seconds and then return to its previous indication.
 - b) 240 volts ac for two wire 240 volt models for approximately twenty seconds and then return to its previous indication.
 - c) 100 volts ac for two wire 100 volt models for approximately twenty seconds and then return to its previous indication.
6. Disconnect the brewer from the power source.

If voltage is present as described, the timer is operating properly. Adjust the timer dial as required. If voltage is not present as described, replace the timer.

Removal and Replacement:

1. Remove all wires from the timer.
2. Remove the circuit board and dial plate from the brackets.
3. Install the new timer circuit board as described in the *Late Model Timer* Section.
4. Refer to Fig. 7 when reconnecting the wires.
5. Install the Timer Setting Decal, provided with the timer replacement kit, to the rear of the schematic, on the top cover.
5. Adjust the timer as required. Refer to *Late Model Timer* Section.

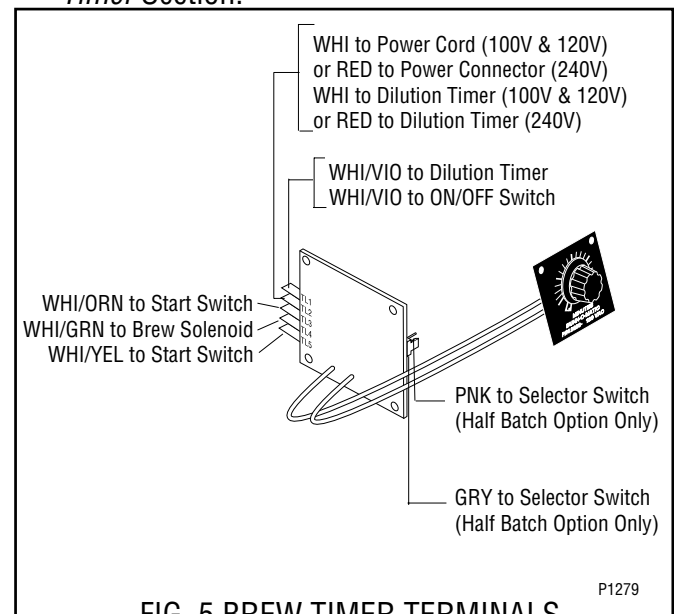


FIG. 5 BREW TIMER TERMINALS

SERVICE (cont.)

DIGITAL BREW TIMER (Late Models)

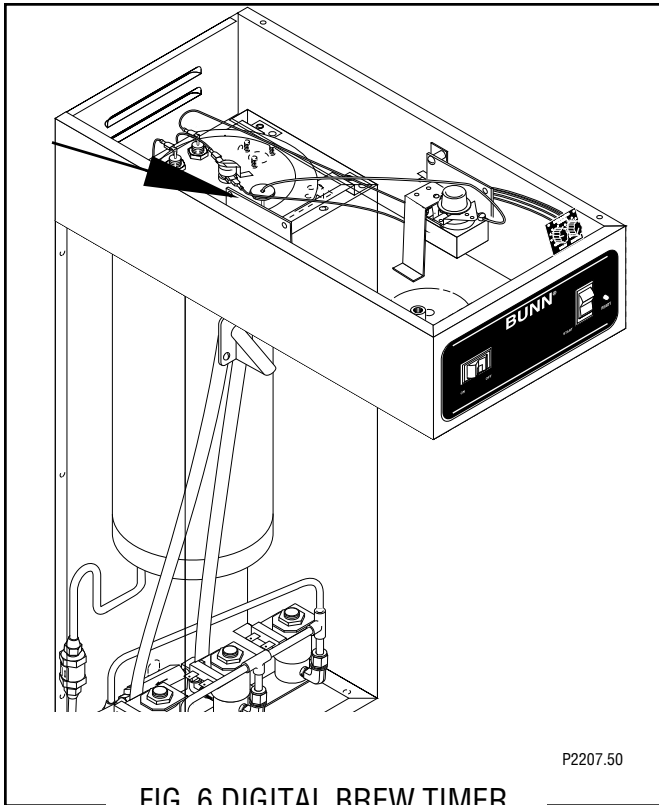


FIG. 6 DIGITAL BREW TIMER

Location:

The timer is located inside the hood, attached to the left side.

Test Procedure.

NOTE: Do not remove or install wires while timer board is installed. Pressure applied to one side may cause damage to the board.

1. Disconnect the brewer from the power source and remove the front access panel.
2. Remove the two #8-32 screws securing circuit board to the mounting bracket.
3. Remove circuit board and spacers (as required).
4. With a voltmeter, check the voltage across terminals TL1 and TL2 when the "ON/OFF" switch is in the "ON" position. Connect the brewer to the power source. The indication must be:
 - a) 120 volts ac for two wire 120 volt models.
 - b) 240 volts ac for two wire 240 volt models.
 - c) 100 volts ac for two wire 100 volt models.
5. Disconnect the brewer from the power source.

If voltage is present as described, proceed to #6.

If voltage is not present as described, refer to the *Wiring Diagrams* and check the brewer wiring harness.

6. With a voltmeter, check the voltage across terminals TL1 and TL4 when the "ON/OFF" switch is in the "ON" position. Connect the brewer to the power source. The indication must be 0 volts.

If voltage is as described, proceed to #7.

If voltage is not as described, disconnect the brewer from the power source and replace the timer.

7. With a voltmeter, check the voltage across terminals TL1 and TL4 when the "ON/OFF" switch is in the "ON" position. Connect the brewer to the power source and press the "START" switch. The indication must be as follows:
 - a) 120 volts ac for two wire 120 volt models.
 - b) 240 volts ac on two wire 240 volt models.
 - c) 100 volts ac for two wire 100 volt models.

If voltage is present as described, the brew timer is operating properly. Reset the timer as required, to obtain the desired brew volume.

If voltage is not present as described, disconnect the brewer from the power source and replace the timer.

Removal and Replacement:

1. Remove the two #8-32 screws securing circuit board to the mounting bracket.
2. Remove circuit board and spacers (as required).
3. Remove all wires from the timer.
4. Attach all wires to the replacement timer board prior to installation to the component mounting bracket. Refer to FIG. 7 when reconnecting the wires.
5. Install new circuit board with spacers (as required) to the component mounting bracket.
6. Adjust the timer as described below.

Timer Setting:

NOTE: Prior to setting or modifying volumes, check that the brewer is connected to water supply, the tank is properly filled, and a funnel and server are in place.

NOTE: All volume settings must be done with the sprayhead installed.

SERVICE (cont.)

DIGITAL BREW TIMER (Late Models)(cont.)

1. **Modifying brew volumes.** To modify a brew volume, first check that the SET/LOCK switch is in the “SET” position on the circuit board.

To increase a brew volume, place the ON/OFF switch in the “ON” position, press and hold the START switch until three clicks are heard. Release the switch and press it again one or more times. (Failure to release the switch within two seconds after the third click causes the volume setting to be aborted and previous volume setting will remain in memory.) Each time the switch is pressed, two seconds are added to the brew time period. Allow the brew cycle to finish in order to verify that the desired volume has been achieved.

To decrease a brew volume, place the ON/OFF switch in the “ON” position, press and release the START switch once for every two-second interval to be removed from the total brew time period; then immediately press and hold down the START switch until three clicks are heard. Release the switch. (Failure to release the switch within two seconds after the third click causes the volume setting to be aborted and previous volume setting will remain in memory). Allow the brew cycle to finish in order to verify that the desired volume has been achieved.

2. **Setting brew volumes.** To set a brew volume, first check that the SET/LOCK switch is in the “SET” position on the circuit board. Place the ON/OFF switch in the “ON” position, press and hold the START switch until three distinct clicks are heard and then release the switch. (Failure to release the switch within two seconds after the third click causes the volume setting to be aborted and previous volume setting will remain in memory.) View the level of the liquid being dispensed. When the desired level is reached, turn the ON/OFF switch to “OFF”.

NOTE: Several ounces of water will continue to syphon from the tank after turning the switch “OFF”. The brewer remembers this volume and will continue to brew batches of this size until the volume setting procedure is repeated.

NOTE: When brewing coffee, volume will decrease due to absorption by the coffee grounds.

3. **Setting programming disable feature.** If it becomes necessary to prevent anyone from changing brew time once programmed, you can set the SET/LOCK switch to the “LOCK” position. This will prevent any further programming until switch is once again put into the “SET” position.

NOTE - Brewers with half-batch option will have to be set for both full and half-batch settings.

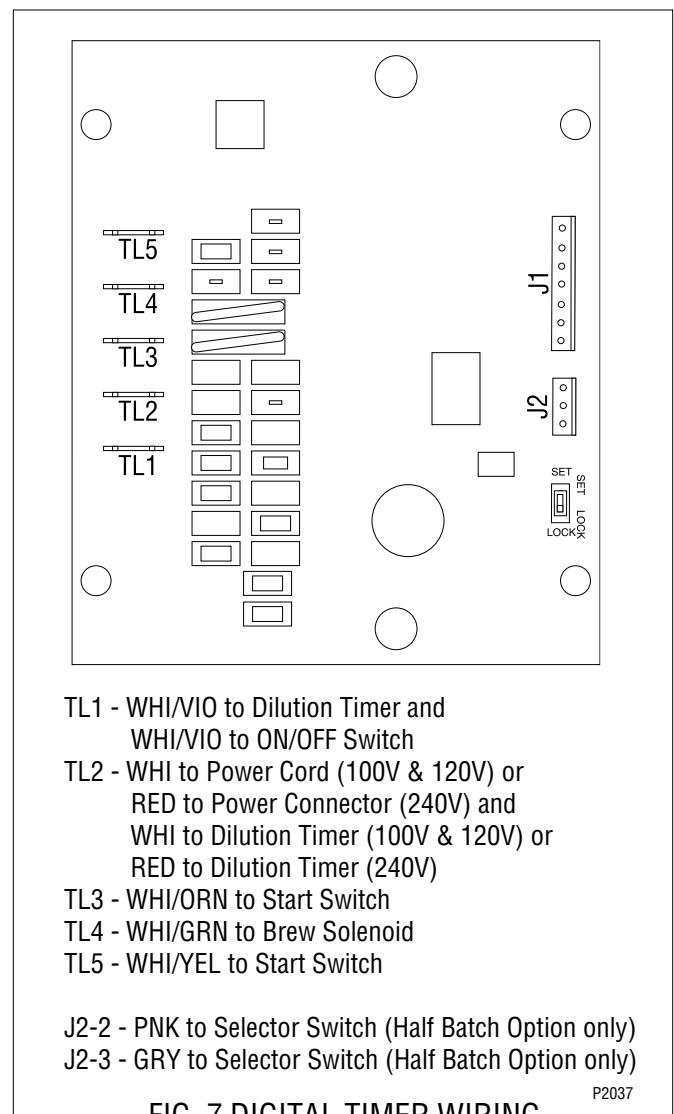
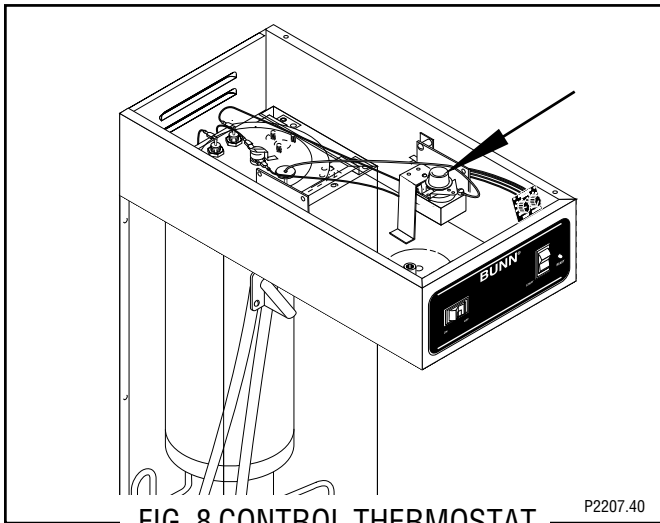


FIG. 7 DIGITAL TIMER WIRING

SERVICE (cont.)

CONTROL THERMOSTAT



Location:

The control thermostat is located inside hood on the right side just behind the dilution timer.

Test Procedures:

1. Disconnect the brewer from the power source.
2. Locate the blue/black wire on the control thermostat.
3. With a voltmeter, check the voltage across the blue/black wire on the control thermostat and the white wire on the tank heater for 100 volt and 120 volt two wire models or red wire on the tank heater for 240 volt two wire models. Connect the brewer to the power source. The indication must be:
 - a) 120 volts ac for two wire 120 volt models.
 - b) 240 volts ac for two wire 240 volt models.
 - c) 100 volts ac for two wire 100 volt models.
4. Disconnect the brewer from the power source.

If voltage is present as described, proceed to #5. If voltage is not present as described, refer to the *Wiring Diagrams* and check the brewer wiring harness.

5. Locate the black wire on the control thermostat.
6. Gently remove the capillary bulb and grommet from the tank.
7. With a voltmeter, check the voltage across the black wire of the control thermostat and the white wire on the tank heater for 100 volt and 120 volt two wire models or red wire on the tank heater for

240 volt two wire models when the control thermostat is turned fully clockwise. Connect the brewer to the power source. The indication must be:

- a) 120 volts ac for two wire 120 volt models.
- b) 240 volts ac for two wire 240 volt models.
- c) 100 volts ac for two wire 100 volt models.

8. Disconnect the brewer from the power source.

If voltage is present as described, reinstall the capillary tube into the tank to the line 4.5" above the bulb, the control thermostat is operating properly.

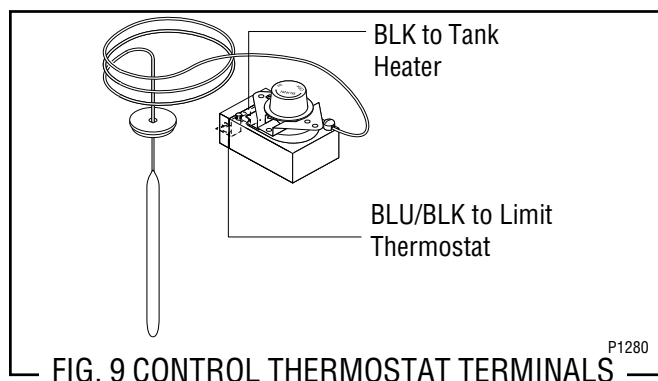
If voltage is not present as described, replace the thermostat.

Removal and Replacement:

1. Remove both wires from the control thermostat terminals.
2. Remove the thermostat capillary bulb by firmly pulling up on the capillary tube at the tank lid. This will disengage the grommet from the tank lid.
3. Remove the #8-32 screw holding the control thermostat to its bracket.
4. Slide the grommet to the line 4.5" above the bulb on the new capillary tube.
5. Insert the capillary bulb through the hole in the tank lid and press the grommet firmly and evenly so that the groove in the grommet fits into the tank lid.
6. Carefully bend the capillary tube so that the tube and bulb inside the tank are in a vertical position.

NOTE – The capillary tube must be clear of any electrical termination and not kinked.

7. Fasten the new control thermostat to its bracket.
8. Refer to Fig. 9 when reconnecting the wires.
9. Adjust the control thermostat as required.



SERVICE (cont.) DILUTION SOLENOID VALVE(S)

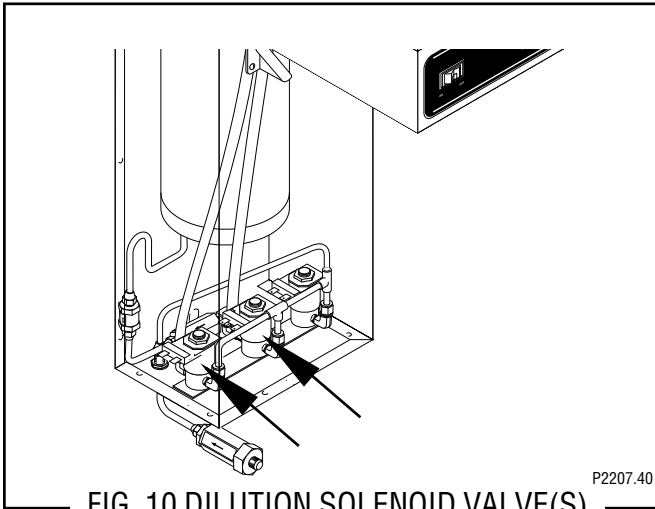


FIG. 10 DILUTION SOLENOID VALVE(S)

Location:

Viewing the brewer from the rear the dilution solenoid for the T3 is mounted on the center of the solenoid mounting bracket, the T6 solenoids are mounted in the center and the right side of the mounting bracket.

Test Procedure:

1. Disconnect the brewer from the power source.
2. T3 - With a voltmeter, check the voltage across the white/blue and white/violet wires on the dilution solenoid terminals when the ON/OFF switch is in the "ON" (left) position and the start switch is momentarily placed in the lower position. Connect the brewer to the power source. After the approximate setting on the delay dial, the indication must be:
 - a) 120 volts ac for two wire 120 volt models.
 - b) 240 volts ac for two wire 240 volt models.
 - c) 100 volts ac for two wire 100 volt models, remain for the approximate setting on the dilution dial, and then return to its previous indication.T6 - With a voltmeter, check the voltage across the white/blue and yellow wires on the dilution solenoid terminals for the right reservoir and the white/blue and the brown/black for the left reservoir when the SELECTOR switch is in the "ON" (left for the left reservoir or right for the right reservoir) position and the start switch is momentarily placed in the lower position. Connect the brewer to the power source. After the approximate setting on the delay dial, the indication must be:
 - a) 120 volts ac for two wire 120 volt models.
 - b) 240 volts ac for two wire 240 volt models.
 - c) 100 volts ac for two wire 100 volt models, re-

main for the approximate setting on the dilution dial, then return to its previous indication.

If voltage is present as described, proceed to #4. If voltage is not present as described, refer to the *Wiring Diagrams* and check the wiring harness.

4. Remove both wires from the coil and check for continuity across the coil terminals.

If continuity is present as described, reconnect the white/blue and white/violet wires and proceed to #5. If continuity is not present as described, replace the solenoid valve.

5. Check the solenoid valve for coil action. Connect the brewer to the power source, place the ON/OFF or SELECTOR switch in the "ON" (T3 left, T6 left or right) position and momentarily place the start switch in the lower position and release. Listen carefully after the approximate setting on the delay dial in the vicinity of the solenoid valve for a "clicking" sound as the coil magnet attracts and after the approximate setting on the dilution dial, repels the plunger.
6. Disconnect the brewer from the power source.

If the sound is heard as described and water will not pass through the solenoid valve, there may be a blockage in the water line before or after the solenoid valve or, the solenoid valve may require inspection for wear, and removal of waterborne particles.

If the sound is not heard as described, replace the solenoid valve.

Removal and Replacement:

1. Remove all wires from the solenoid valves.
2. Turn off the water supply to the brewer.
3. Disconnect the water lines to and from the solenoid valves.
4. Remove the two #8-32 keps nuts holding the mounting bracket to the trunk base.
5. Lift out the bracket.
6. Remove the two #10-32 slotted-head screws holding the solenoid valve to the mounting bracket.
7. Securely install the new solenoid valve to the mounting bracket.
8. Attach the mounting bracket to the trunk base.
9. Securely fasten the water lines to and from the solenoid valves.
10. Refer to Fig. 3 when reconnecting the wires.

SERVICE (cont.)
DILUTION TIMER

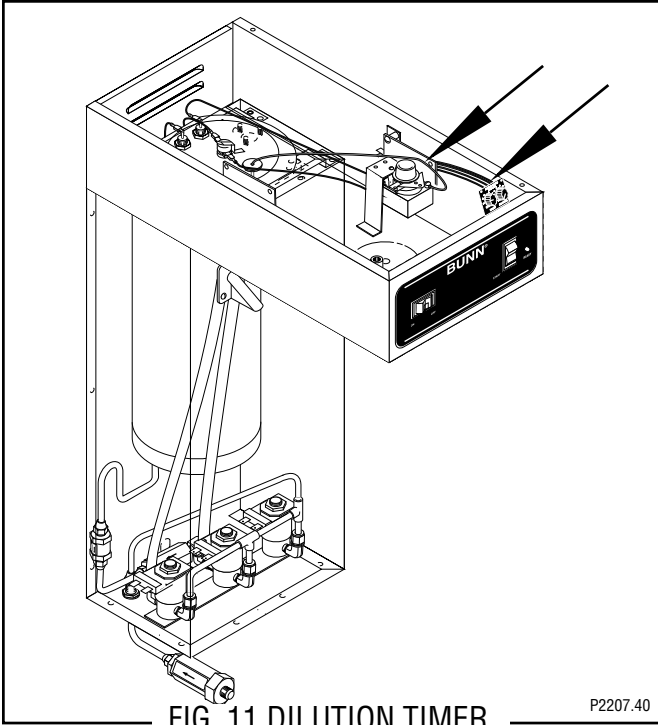


FIG. 11 DILUTION TIMER P2207.40

Location:

The dilution timer is located inside the hood on the right side. It consists of the dial plate with two dials and circuit board.

Test Procedure:

1. Disconnect the brewer from the power source and remove the wires from terminals TL3, TL4, & TL5 of the timer and rotate both dials fully counter-clockwise.
2. With a voltmeter, check the voltage across terminals TL1 and TL2 when the ON/OFF switch is in the "ON" position. Connect the brewer to the power source. The indication must be:
 - a) 120 volts ac for two wire 120 volt models.
 - b) 240 volts ac for two wire 240 volt models.
 - c) 100 volts ac for two wire 100 volt models.
3. Disconnect the brewer from the power source.

If voltage is present as described, proceed to #4.
 If voltage is not present as described, refer to the *Wiring Diagrams* and check the wiring harness.

4. Check for continuity across the green and red/black wires when the start switch is held in the lower position.

If continuity is present as described, reconnect the wires to terminals TL3, TL4, & TL5 of the timer board and proceed to #5.

If continuity is not present as described, refer to the *Wiring Diagrams* and check the wiring harness.

5. With a voltmeter, check the voltage across terminals TL1 and TL4 when the ON/OFF or selector switch is in the "ON" (T3 left, T6 left or right) position and the start switch is momentarily placed in the lower position. Connect the brewer to the power source. After a delay of approximately three minutes, the indication must be:
 - a) 120 volts ac for two wire 120 volt models for approximately one minute and then return to its previous indication.
 - b) 240 volts ac for two wire 240 volt models for approximately one minute and then return to its previous indication.
 - c) 100 volts ac for two wire 100 volt models for approximately one minute and then return to its previous indication.
6. Disconnect the brewer from the power source.

If voltage is present as described, the timer is operating properly. Adjust the timer dials as required.
 If voltage is not present as described, replace the timer.

Removal and Replacement:

1. Remove all wires from the timer.
2. Remove the circuit board and dial plate from the brackets.
4. Install the new dial plate and circuit board to the brackets.
5. Refer to Fig. 12 when reconnecting the wires.
6. Adjust the timer dials as required.

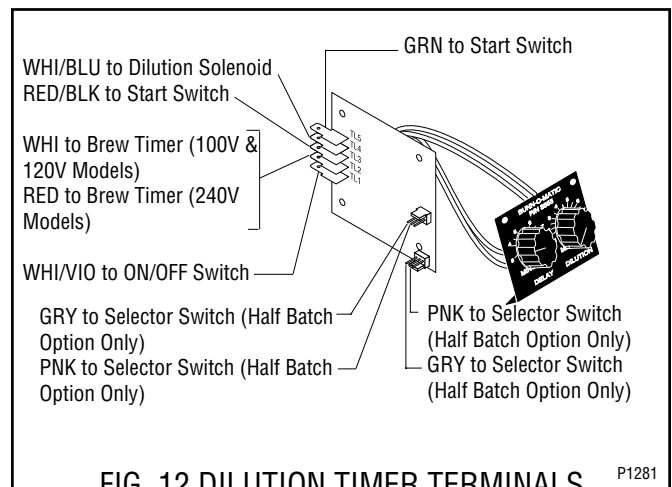


FIG. 12 DILUTION TIMER TERMINALS P1281

SERVICE (cont.)
LIMIT THERMOSTAT

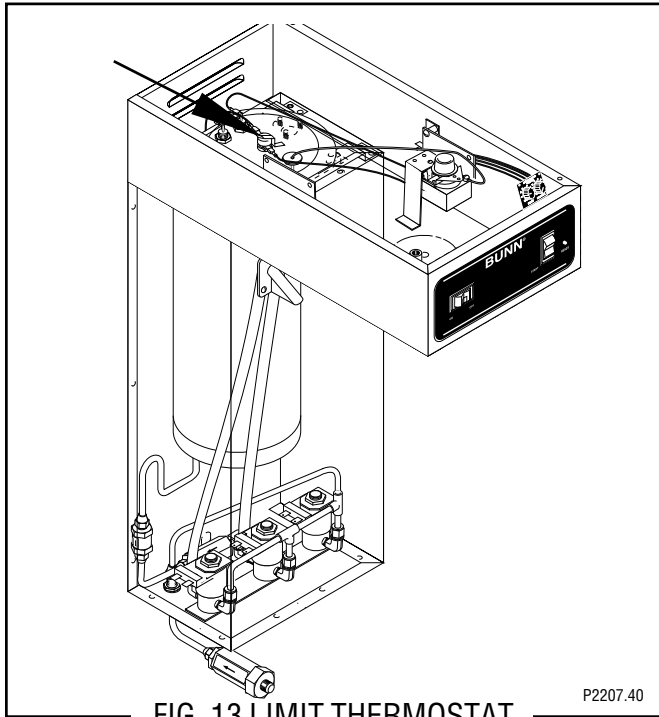


FIG. 13 LIMIT THERMOSTAT

P2207.40

Location:

The limit thermostat is located inside the hood on the tank lid.

Test Procedure:

1. Disconnect the brewer from the power source and remove the black wire from the limit thermostat.
2. With a voltmeter, check the voltage across the black wire removed from the limit thermostat and the white wire or red wire on the tank heater terminal. Connect the brewer to the power source. The indication must be:
 - a) 120 volts ac for two wire 120 volt models.
 - b) 240 volts ac for two wire 240 volt models.
 - c) 100 volts ac for two wire 100 volt models.
3. Disconnect the brewer to from the power source.

If voltage is present as described, reconnect the black wire and proceed to #4.

If voltage is not present as described, refer to the *Wiring Diagrams* and check the wiring harness.

4. Remove the blue/black wire from the limit thermostat.
5. With a voltmeter, check the voltage across the exposed terminal of the limit thermostat and the white wire or red wire on the tank heater. Connect the brewer to the power source. The indication must be:
 - a) 120 volts ac for two wire 120 volt models.
 - b) 240 volts ac for two wire 240 volt models.
 - c) 100 volts ac for two wire 100 volt models.
6. Disconnect the brewer from the power source.

If voltage is present as described, reconnect the blue wire to the limit thermostat. The limit thermostat is operating properly.

If voltage is not present as described, replace the limit thermostat.

Removal and Replacement

1. Remove both wires from the limit thermostat terminals.
2. Carefully slide the limit thermostat out from under the retaining clip.
3. Carefully slide the new limit thermostat into the retaining clip.
4. Refer to Fig. 14 when reconnecting the wires.

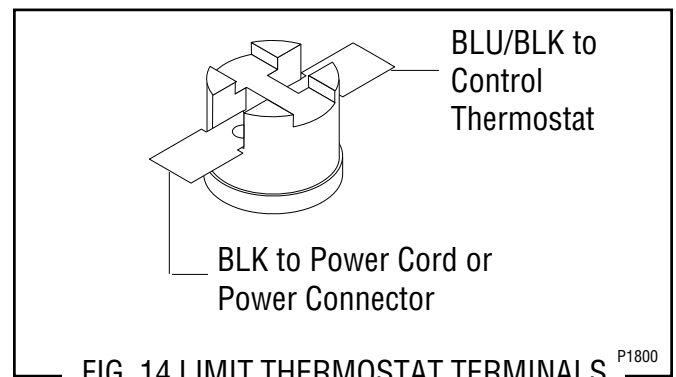


FIG. 14 LIMIT THERMOSTAT TERMINALS

P1800

SERVICE (cont.)

ON/OFF SWITCH (T3 W/OUT HALF BATCH) or SELECTOR SWITCH (T3 W/HALF BATCH and T6 BREWERS)

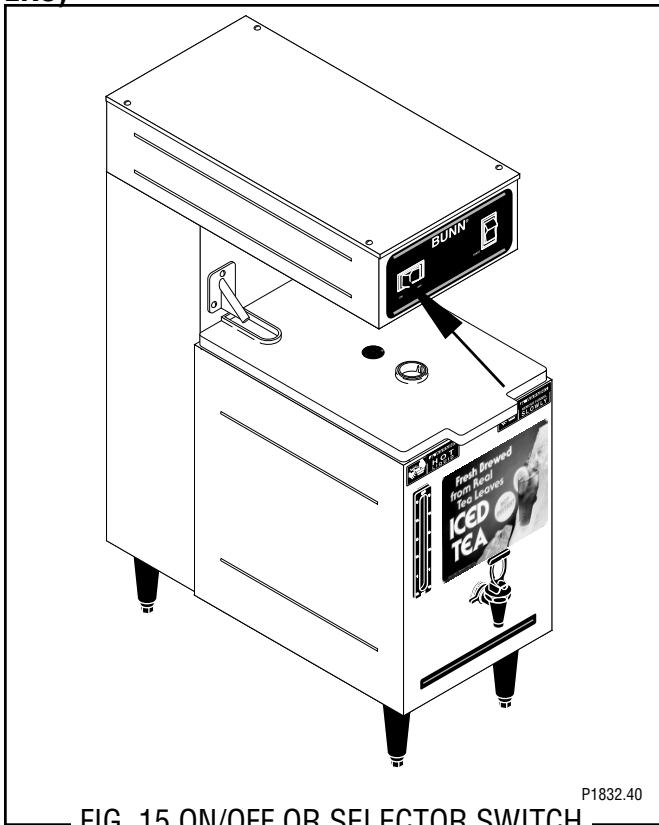


FIG. 15 ON/OFF OR SELECTOR SWITCH

Location:

The ON/OFF or SELECTOR switch is located in the left front of the hood.

Test Procedure:

T3 Brewers W/Out Half Batch Option

1. Disconnect the brewer from the power source.
2. Remove the black and white/violet wires from the switch terminals.
3. With a voltmeter, check the voltage across the black wire removed from the ON/OFF switch and the white wire remaining on the switch terminal.
4. Connect the brewer to the power source. The indication must be 120 volts ac for two wire 120 volt models.
5. Disconnect the brewer from the power source.

If voltage is present as described, proceed to #6.
If voltage is not present as described, refer to the *Wiring Diagrams* and check the wiring harness.

6. Check for continuity across the center and end terminals of the top row when the switch is in the "ON" (left) position.

If continuity is present as described, replace the wires, the switch is operating properly.

If continuity is not present as described, replace the switch.

T3 Brewers W/Half Batch Option

1. Disconnect the brewer from the power source.
2. Remove the black wire from the top center switch terminal.
3. With a voltmeter, check the voltage across the black wire removed from the selector switch and the white wire or red wire on the tank heater.
4. Connect the brewer to the power source. The indication must be:
 - a) 120 volts ac for two wire 120 volt models.
 - a) 240 volts ac for two wire 240 volt models.
 - b) 100 volts ac for two wire 100 volt models.
5. Disconnect the brewer from the power source.

If voltage is present as described, proceed to #6.

If voltage is not present as described, refer to the *Wiring Diagrams* and check the wiring harness.

6. Check for continuity across the center and left or right terminals of the top row when the switch is "FULL" or "HALF" (left or right) position.

If continuity is present as described, replace the wires, the switch is operating properly.

If continuity is not present as described, replace the switch.

7. On T3 brewers disconnect the pink and gray wires from the left and center terminals.
8. Check for continuity across the left and center terminals in rows two, three and four with the switch in the half batch position.

If continuity is present as described, replace the wires the switch is operating properly.

If continuity is not present as described, replace the switch.

SERVICE (cont.)

ON/OFF SWITCH (T3 W/OUT HALF BATCH) or SELECTOR SWITCH (T3 W/HALF BATCH and T6 BREWERS)(cont.)

T6 Brewers

1. Disconnect the brewer from the power source.
2. Remove the black wire from the top center switch terminal.
3. With a voltmeter, check the voltage across the black wire removed from the selector switch and the white wire or red wire on the tank heater.
4. Connect the brewer to the power source. The indication must be:
 - a) 120 volts ac for two wire 120 volt models.
 - a) 240 volts ac for two wire 240 volt models.
 - b) 100 volts ac for two wire 100 volt models.
5. Disconnect the brewer from the power source.

If voltage is present as described, proceed to #6. If voltage is not present as described, refer to the *Wiring Diagrams* and check the wiring harness.

6. Check for continuity across the center and left or right terminals of the top row when the switch is "ON" (left or right) position.

If continuity is present as described, replace the wires, the switch is operating properly. If continuity is not present as described, replace the switch.

7. Check for continuity across the left and center terminals in rows two, three and four with the switch in the "ON" (left or right) position.

If continuity is present as described, replace the wires. The switch is operating properly. If continuity is not present as described, replace the switch.

Removal and Replacement:

1. Remove the wires from the switch terminals.
2. Compress the clips inside the hood and gently push the switch through the opening.
3. Push the new switch into the opening and spread the clips to hold the switch captive in the hood.
4. Refer to FIG. 16 when reconnecting the wires.

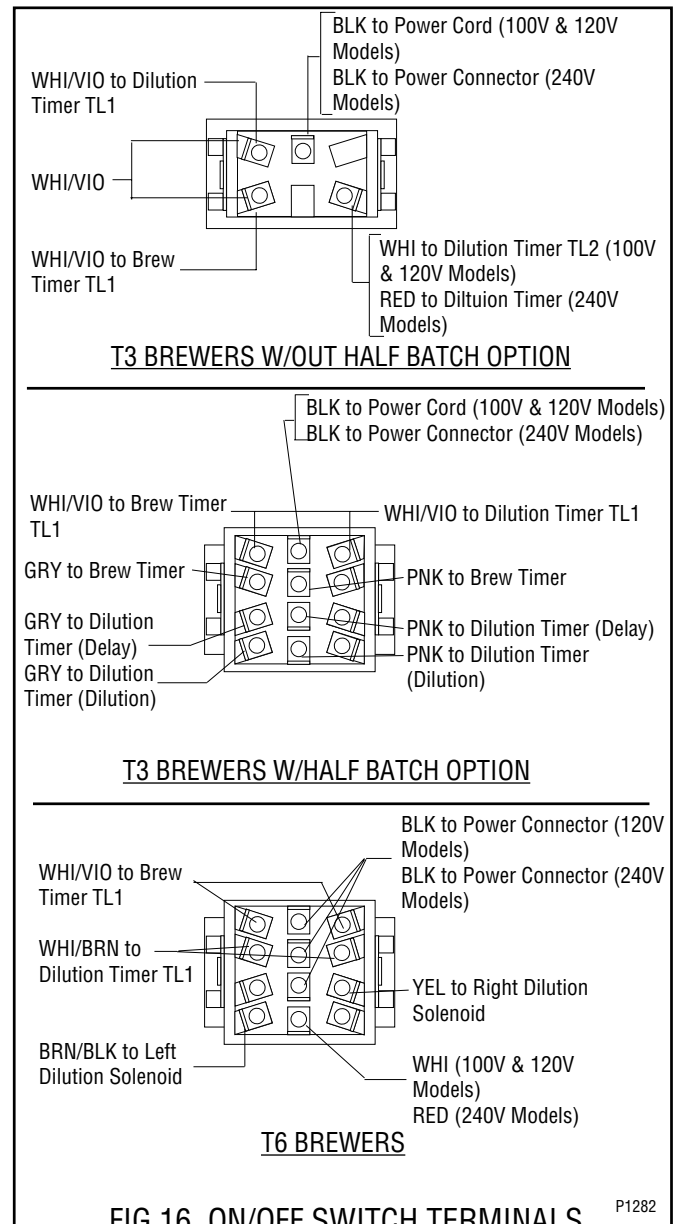


FIG.16 ON/OFF SWITCH TERMINALS P1282

SERVICE (cont.)

START SWITCH

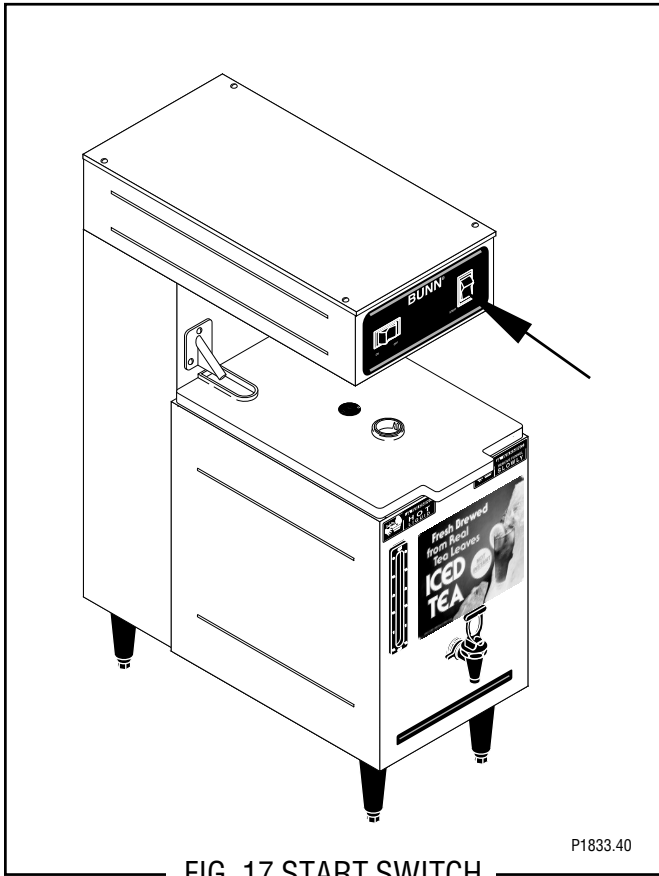


FIG. 17 START SWITCH

Location:

The start switch is located in the right front of the hood.

Test Procedure:

1. Disconnect the brewer from the power source.
2. Remove the wires from all four terminals.
3. Check for continuity across the two terminals on the right side of the switch when it is held in the lower position. Continuity must not be present across these terminals in the upper position.

If continuity is present as described, proceed to #4.
If continuity is not present as described, replace the switch.

4. Check for continuity across the two terminals on the left side of the switch when it is held in the lower position. Continuity must not be present across these terminals in the upper position.

If continuity is present as described, reconnect the wires, the switch is operating properly.
If continuity is not present as described, replace the switch.

Removal and Replacement:

1. Remove the wires from the switch terminals.
2. Compress the clips inside the hood and gently push the switch through the opening.
3. Push the new switch into the opening and spread the clips to hold the switch captive in the hood.
4. Refer to Fig. 18 when reconnecting the wires.

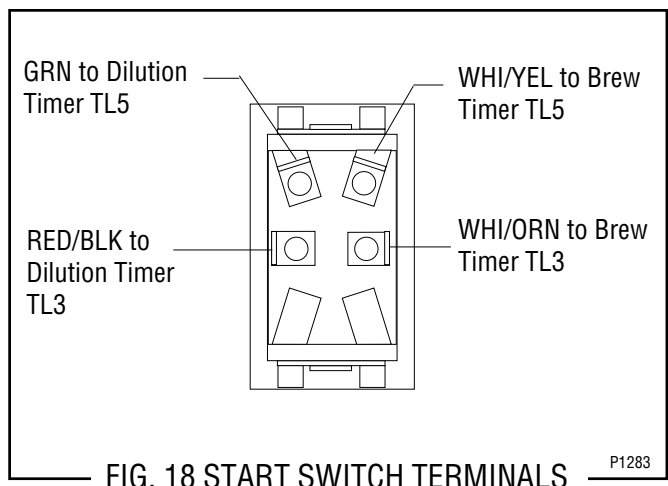
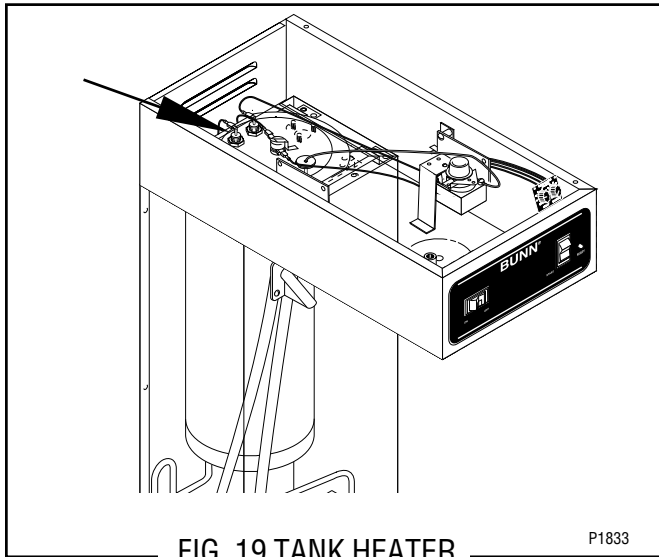


FIG. 18 START SWITCH TERMINALS

SERVICE (cont.)

TANK HEATER



Location:

The tank heater is located inside the tank and secured to the tank lid.

Test Procedures:

1. Disconnect the brewer from the power supply.
2. With a voltmeter, check the voltage across the black and white wires on 100 volt and 120 volt models or the black and red wires for 240 volt models. Connect the brewer to the power source. The indication must be:
 - a) 120 volts ac for two wire 120 volt models .
 - b) 240 volts ac for two wire 240 volt models.
 - c) 100 volts ac for two wire 100 volt models.
3. Disconnect the brewer from the power source.

If voltage is present as described, proceed to #4

If voltage is not present as described, refer to the *Wiring Diagrams* and check wiring harness.

4. Disconnect the black wire and the white wire or red wire from the tank heater terminals.
5. Check for continuity across the tank heater terminals.

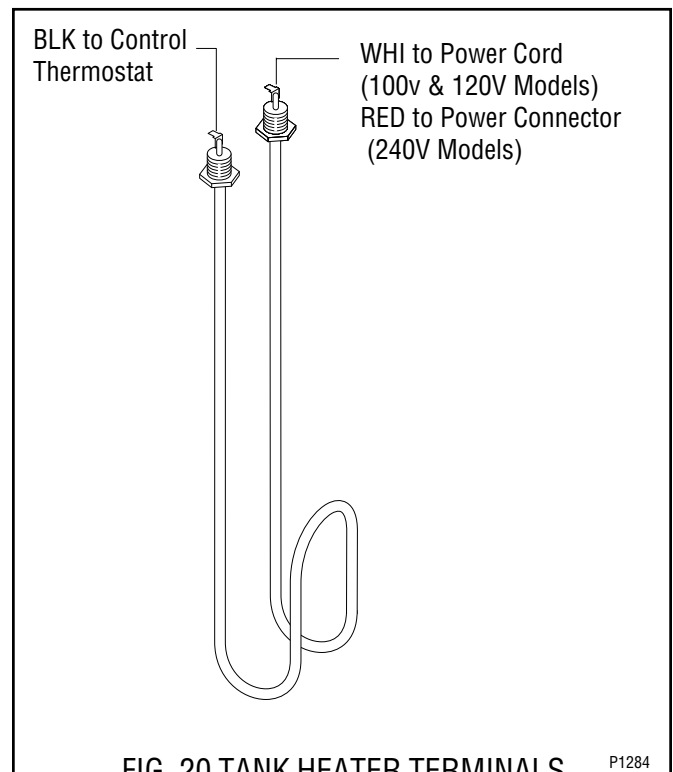
If continuity is present as described, reconnect the wires, the tank heater is operating properly.

If continuity is not present as described, replace the tank heater.

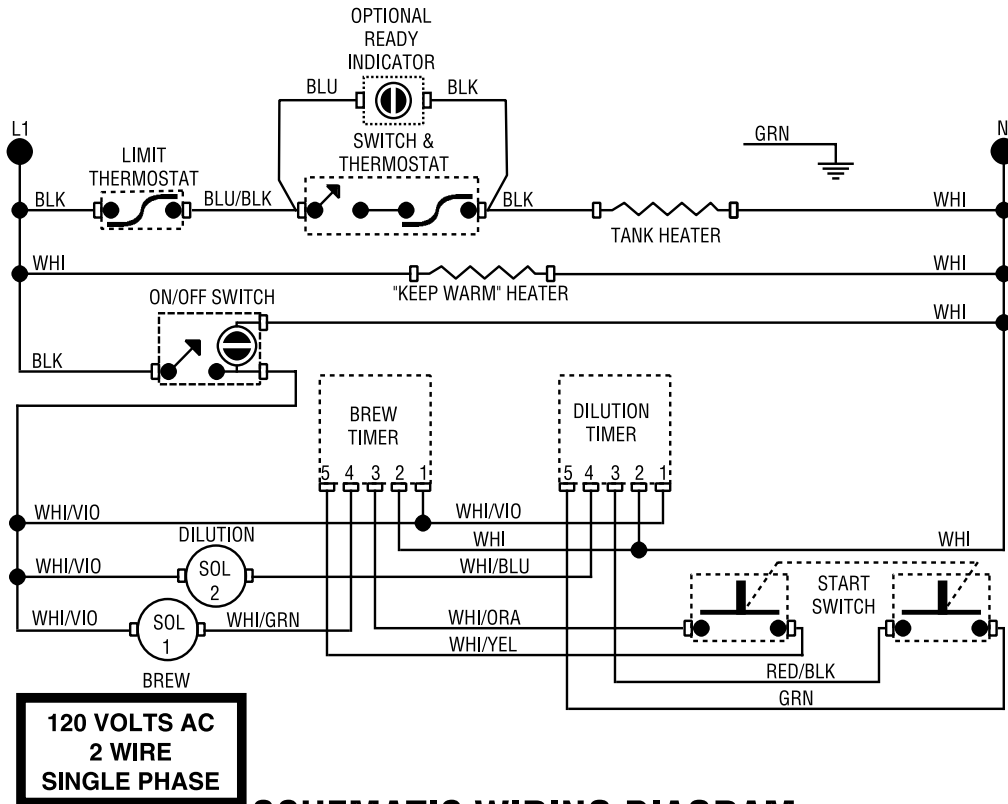
NOTE- If the tank heater remains unable to heat, remove and inspect heater for cracks in the sheath.

Removal and Replacement:

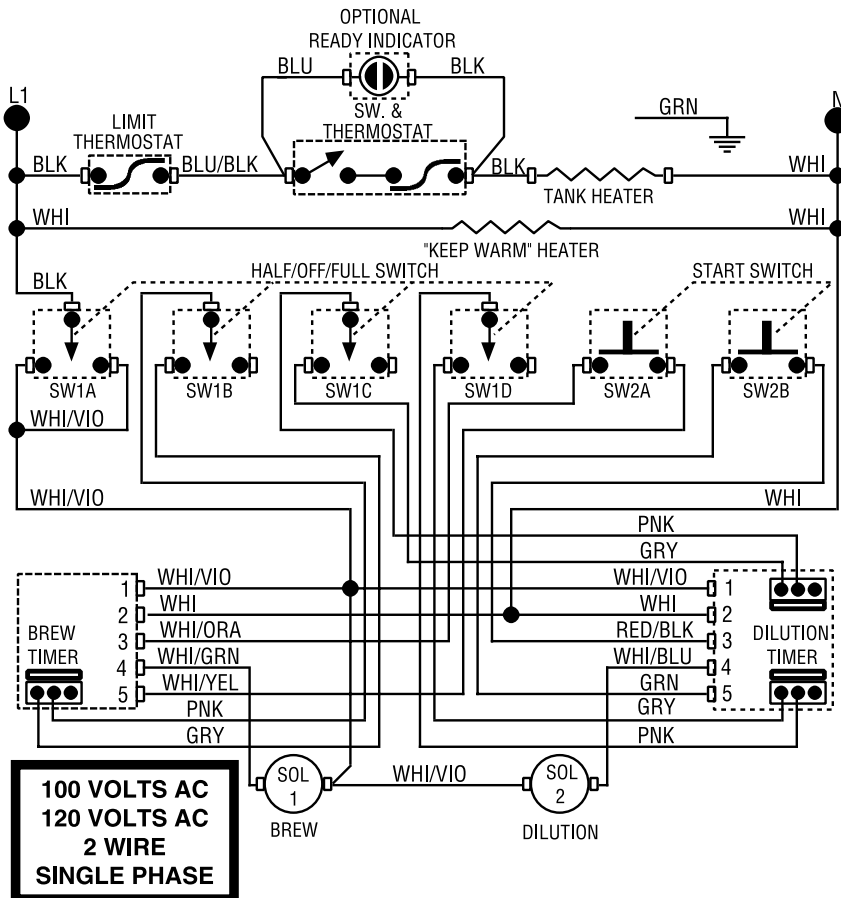
1. Disconnect the black wire and the white or red wire from the tank heater terminals.
2. Remove sprayhead and the hex nut securing the sprayhead tube to the hood. Set aside for reassembly.
3. Disconnect vent tube.
4. Remove the six #10 thread cutting screws securing the tank lid to the tank.
5. Remove the tank lid with limit thermostat, sprayhead tube, tank heater and vent tube.
6. Remove the two hex nuts securing the tank heater to the tank lid. Remove tank heater with gaskets and discard.
7. Install new tank heater with gaskets on the tank lid and secure with two hex nuts.
8. Install tank lid with limit thermostat, sprayhead tube, tank heater and vent tube using six #10 thread cutting screws.
9. Secure sprayhead tube to hood using a hex nut.
10. Install sprayhead.
11. Connect vent tube to fitting.
12. Reconnect the wires to the limit thermostat, tank heater. See limit thermostat section in this manual when reconnecting wires.
13. Refer to Fig. 20 when reconnecting the tank heater wires.



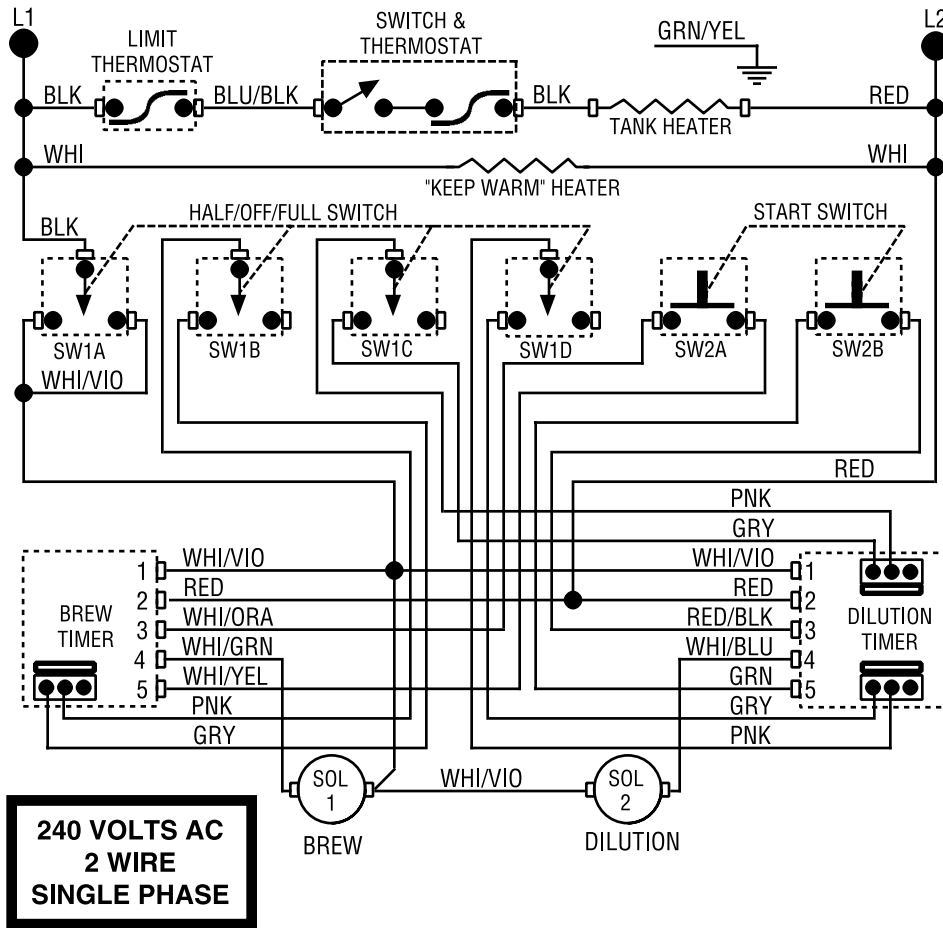
SCHEMATIC WIRING DIAGRAM T3 OR TU3



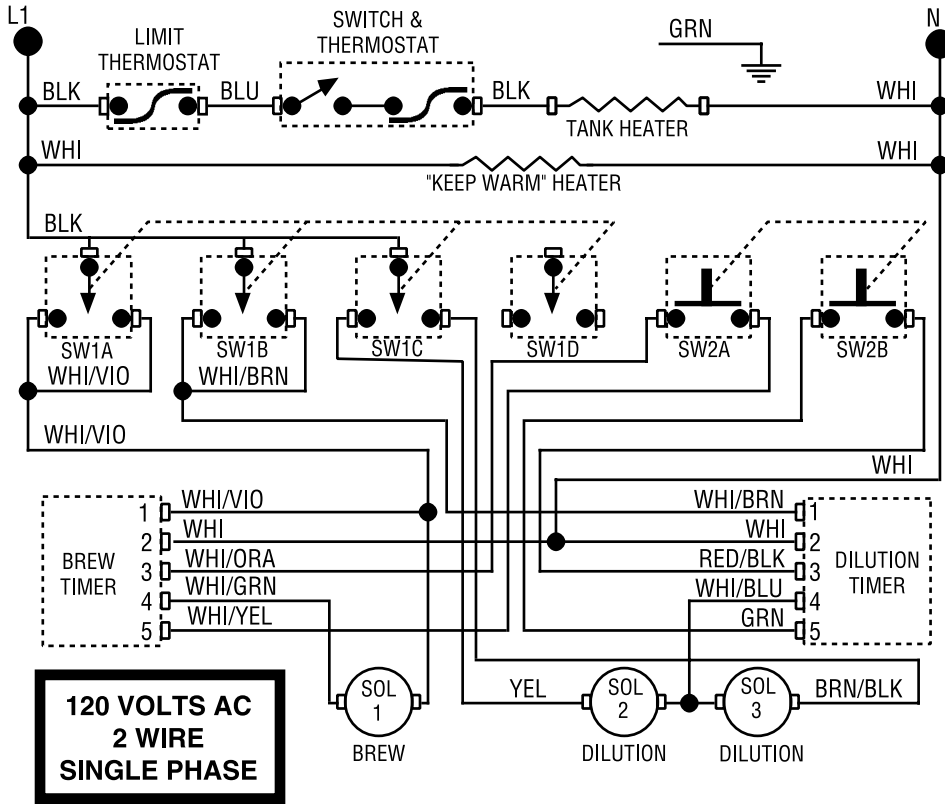
SCHEMATIC WIRING DIAGRAM T3, TU3 & TU3B W/HALF-BATCH



SCHEMATIC WIRING DIAGRAM T3A & TU3A W/HALF-BATCH



SCHEMATIC WIRING DIAGRAM T6



SCHEMATIC WIRING DIAGRAM T6A

