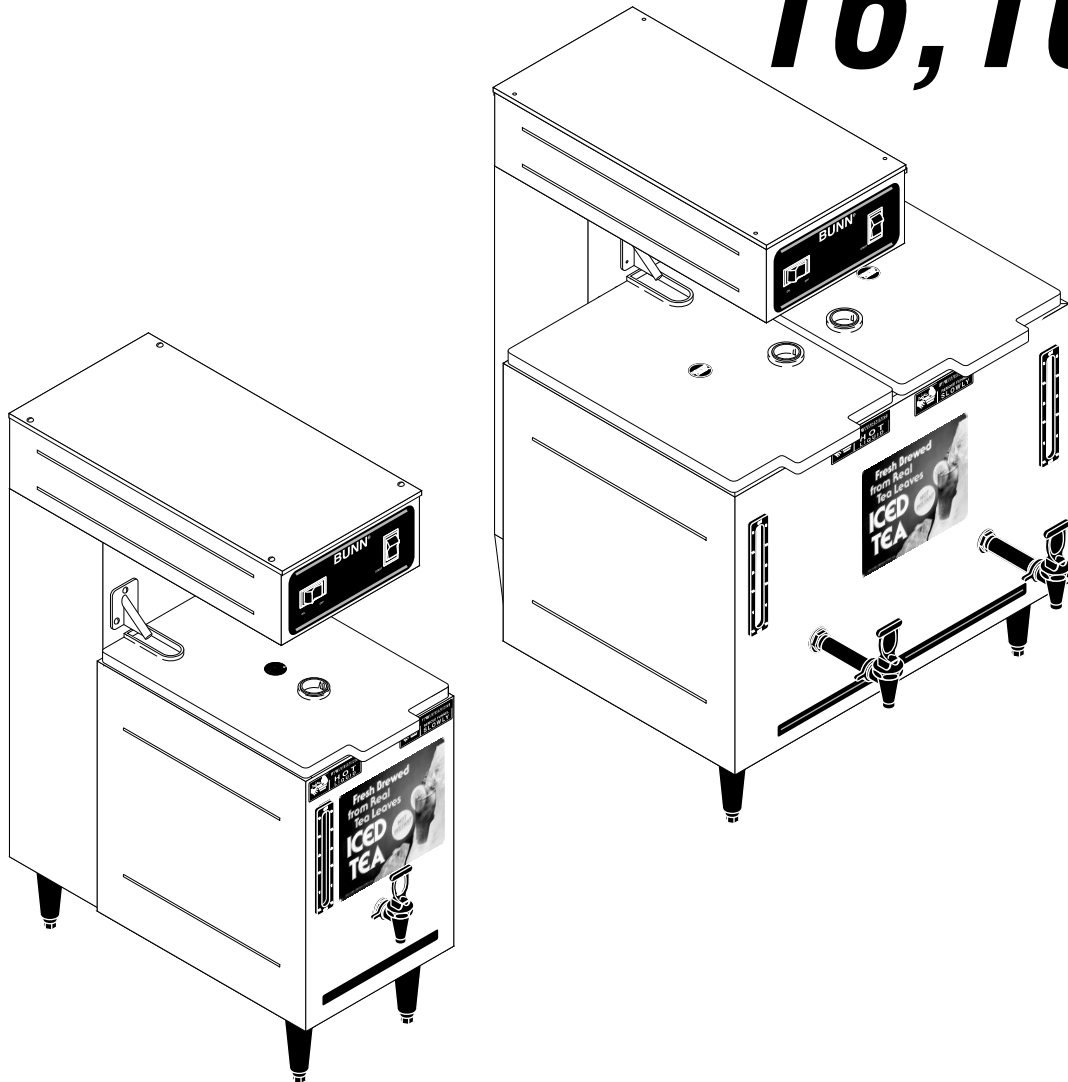


BUNN®

T3, T3A

T6, T6A



ILLUSTRATED PARTS CATALOG

Designs, materials, weights, specifications, and dimensions for equipment or replacement parts are subject to change without notice.

BUNN-O-MATIC CORPORATION

POST OFFICE BOX 3227

SPRINGFIELD, ILLINOIS 62708-3227

PHONE: (217) 529-6601 FAX: (217) 529-6644

BUNN-O-MATIC COMMERCIAL PRODUCT WARRANTY

Bunn-O-Matic Corp. ("BUNN") warrants equipment manufactured by it as follows:

- 1) All equipment other than as specified below: 2 years parts and 1 year labor.
- 2) Electronic circuit and/or control boards: parts and labor for 3 years.
- 3) Compressors on refrigeration equipment: 5 years parts and 1 year labor.
- 4) Grinding burrs on coffee grinding equipment to grind coffee to meet original factory screen sieve analysis: parts and labor for 3 years or 30,000 pounds of coffee, whichever comes first.

These warranty periods run from the date of installation BUNN warrants that the equipment manufactured by it will be commercially free of defects in material and workmanship existing at the time of manufacture and appearing within the applicable warranty period. This warranty does not apply to any equipment, component or part that was not manufactured by BUNN or that, in BUNN's judgment, has been affected by misuse, neglect, alteration, improper installation or operation, improper maintenance or repair, damage or casualty. This warranty is conditioned on the Buyer 1) giving BUNN prompt notice of any claim to be made under this warranty by telephone at (217) 529-6601 or by writing to Post Office Box 3227, Springfield, Illinois 62708-3227; 2) if requested by BUNN, shipping the defective equipment prepaid to an authorized BUNN service location; and 3) receiving prior authorization from BUNN that the defective equipment is under warranty.

THE FOREGOING WARRANTY IS EXCLUSIVE AND IS IN LIEU OF ANY OTHER WARRANTY, WRITTEN OR ORAL, EXPRESS OR IMPLIED, INCLUDING, BUT NOT LIMITED TO, ANY IMPLIED WARRANTY OF EITHER MERCHANTABILITY OR FITNESS FOR A PARTICULAR PURPOSE. The agents, dealers or employees of BUNN are not authorized to make modifications to this warranty or to make additional warranties that are binding on BUNN. Accordingly, statements by such individuals, whether oral or written, do not constitute warranties and should not be relied upon.

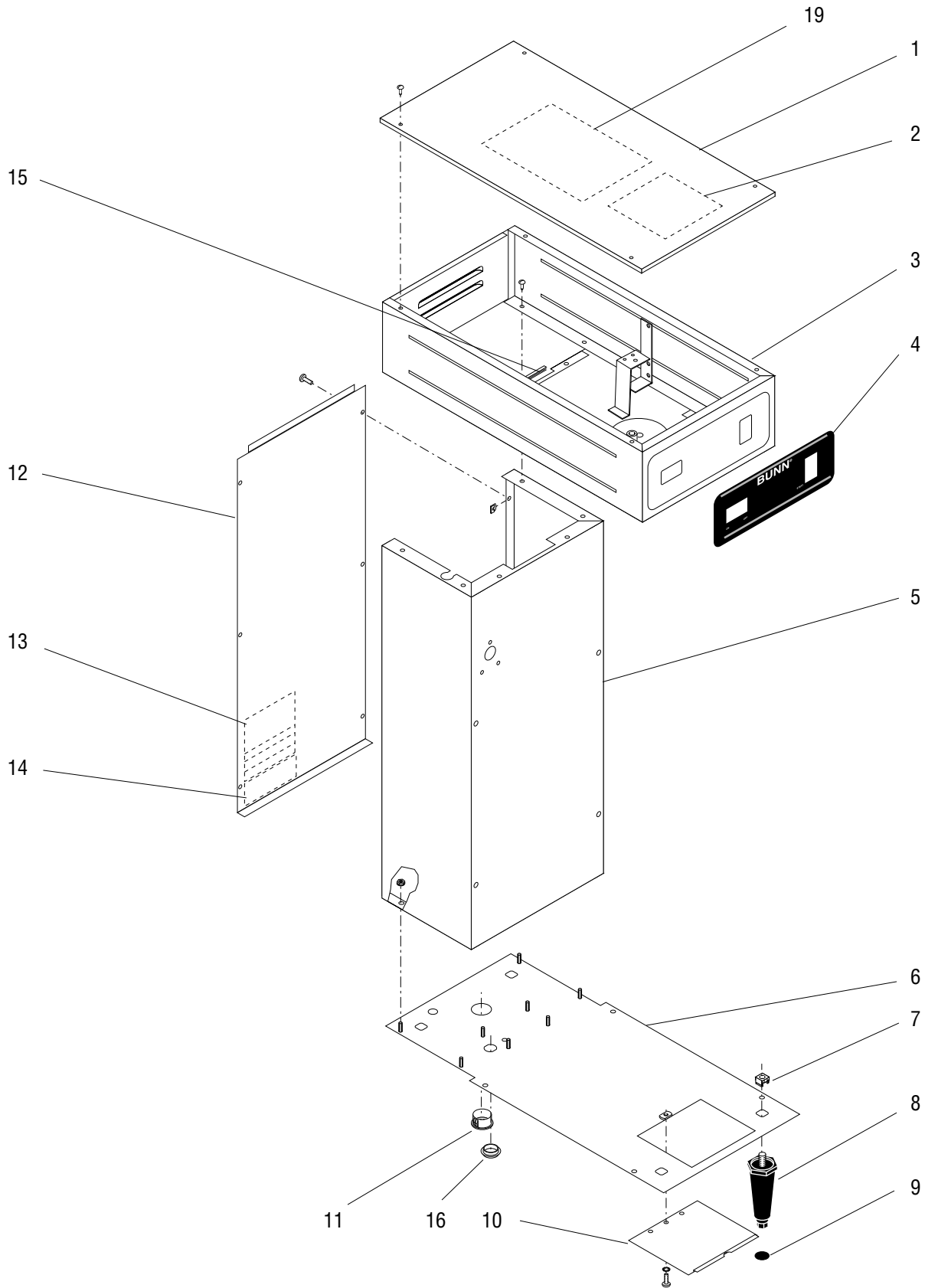
If BUNN determines in its sole discretion that the equipment does not conform to the warranty, BUNN, at its exclusive option while the equipment is under warranty, shall either 1) provide at no charge replacement parts and/or labor (during the applicable parts and labor warranty periods specified above) to repair the defective components, provided that this repair is done by a BUNN Authorized Service Representative; or 2) shall replace the equipment or refund the purchase price for the equipment.

THE BUYER'S REMEDY AGAINST BUNN FOR THE BREACH OF ANY OBLIGATION ARISING OUT OF THE SALE OF THIS EQUIPMENT, WHETHER DERIVED FROM WARRANTY OR OTHERWISE, SHALL BE LIMITED, AT BUNN'S SOLE OPTION AS SPECIFIED HEREIN, TO REPAIR, REPLACEMENT OR REFUND.

In no event shall BUNN be liable for any other damage or loss, including, but not limited to, lost profits, lost sales, loss of use of equipment, claims of Buyer's customers, cost of capital, cost of down time, cost of substitute equipment, facilities or services, or any other special, incidental or consequential damages.

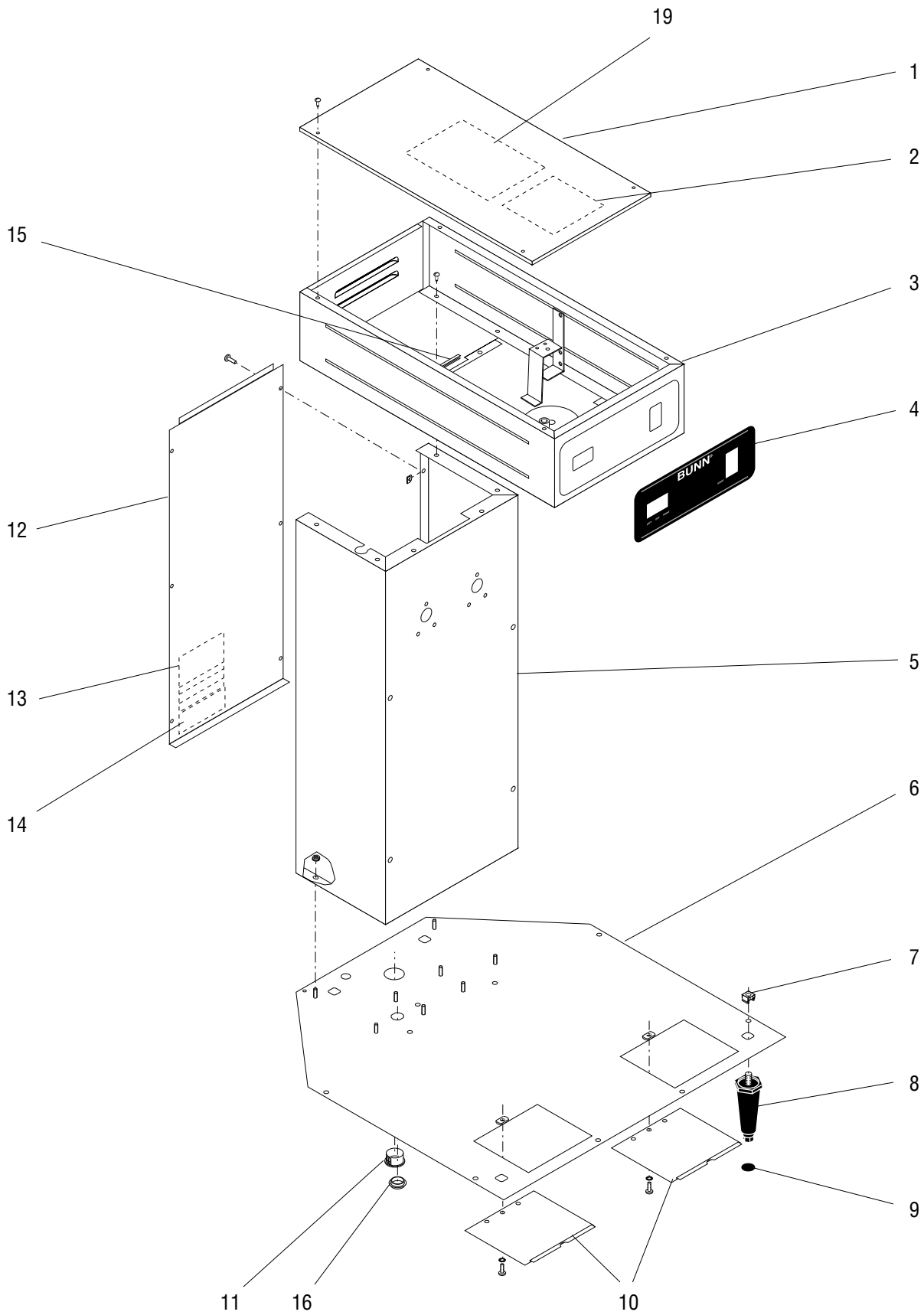
TABLE OF CONTENTS

Electrical and Operating Controls	22
Funnel Assembly	26
Numerical Index	28
Reservoir, Gauge and Faucet (T3)	8
Reservoir, Gauge and Faucet (T6)	10
Strainer/Flow Control, Solenoids and Lines (T3)	14
Strainer/Flow Control, Solenoids and lines (T6)	18
Tank Assembly	12
Top Cover, Hood, Trunk, Base and Panels (T3)	4
Top Cover, Hood, Trunk, Base and Panels (T6)	6



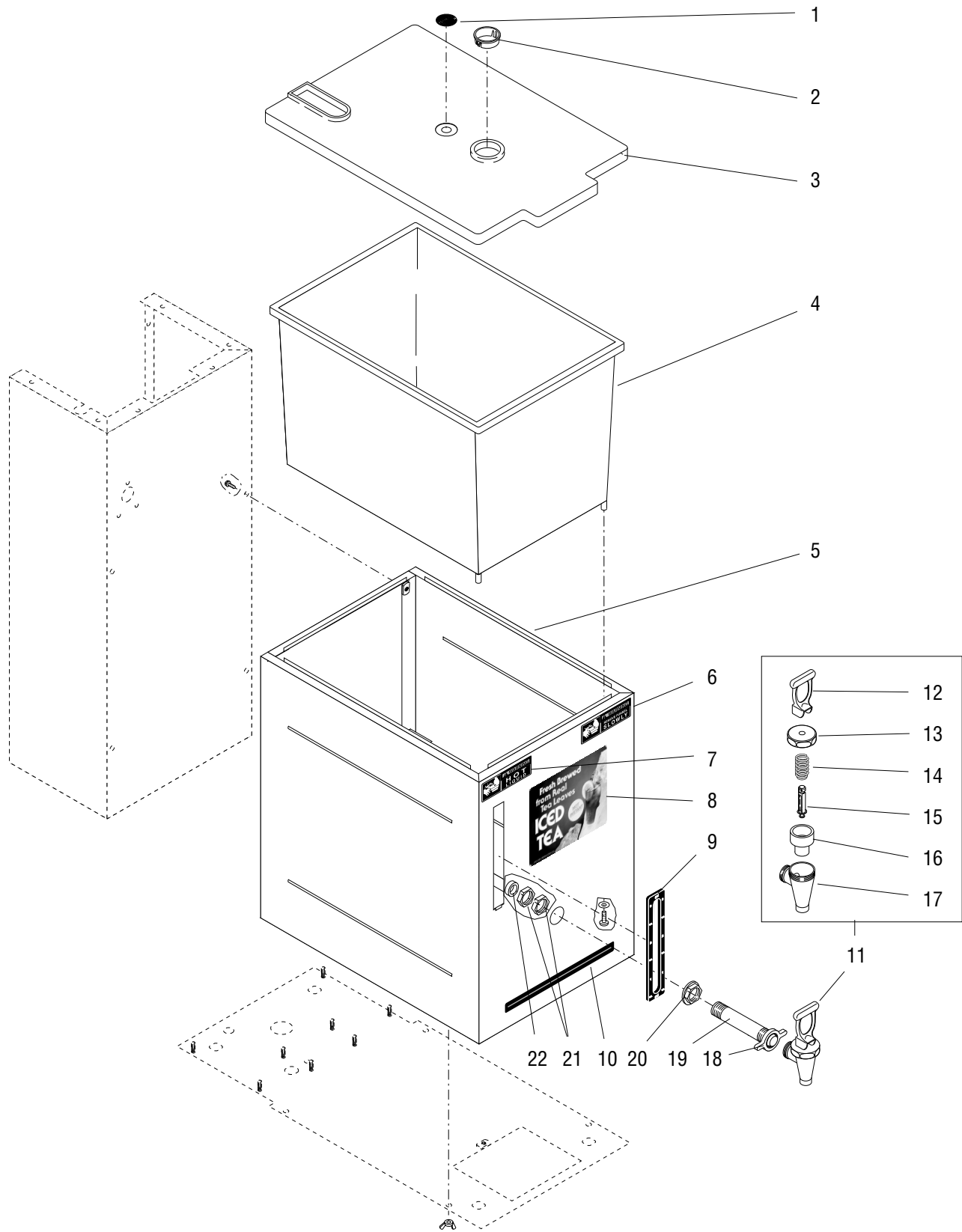
TOP COVER, HOOD, TRUNK, BASE AND PANELS (T3)

ITEM	PART NO.	QTY.	DESCRIPTION
1	03423.1000	1	Cover, Top (Includes 10299.0000) (Also Order item 19)
	03423.1002	1	Cover, Top (Includes 10558.0000) (Also Order item 19)
	03423.0000	1	Cover, Top ("A" Models) (Also order item19)
	01382.0000	4	Screw, Truss Head #6-32 x .375"
2	10299.0000	1	Schematic, Electrical 120V
	10558.0000	1	Schematic, Electrical 100V & 120V (Brewers with half batch option)
3	03381.0000	1	Hood (Also order item 4)
	03381.0005	1	Hood (Brewers with ready light) (Also order item 4)
	02308.0000	6	Screw, Pan Head - Serrated #8-32 x .375"
4	03363.0000	1	Decal, Hood-Switch
	03363.0001	1	Decal, Hood-Switch (Brewers with ready light)
	03352.0000	1	Decal, Hood-Switch (Brewers with half batch option)
	03352.0001	1	Decal, Hood-Switch (Brewers with ready light & half batch option)
5	-----	1	Trunk Assy (T3)(Not Available)
	-----	1	Trunk Assy (T3A)(Not Available)
	00970.0000	6	Nut, Hex Keps #8-32
6	-----	1	Base (Not Available)
7	00983.0000	4	Nut, Cage .357"-16
8	03359.0000	4	Leg, Adjustable (See item 17)
9	03993.0000	4	Pad, Rubber .70" Dia (See item 17)
10	03427.0000	1	Cover, Access
	01315.0000	1	Screw, Truss Head #8-32 x .375"
	01511.0000	1	Lockwasher, External Tooth #8
11	03011.0000	1	Plug, Vent 1.0" Dia
12	03428.1000	1	Panel W/Decals, Trunk (Includes items 13 & 14)
	01315.0000	6	Screw, Truss Head #8-32 x .375"
	00917.0000	6	Fastener, J-Type #8-32
13	00831.0000	1	Decal, Electrical Warning
14	00656.0000	1	Decal, Comply With Plumbing Code
15	-----	1	Edging, 2" LG (Order item 18)
16	05749.0001	1	Plug, Hole .625" Dia ("A" Models only)
17	24600.0000	-	Kit, Legs (Includes four legs and pads)
18	02712.1000	-	Edging, 18" LG
19	32540.0000	1	Decal, Batch Set (Digital Timer) (Late Models)



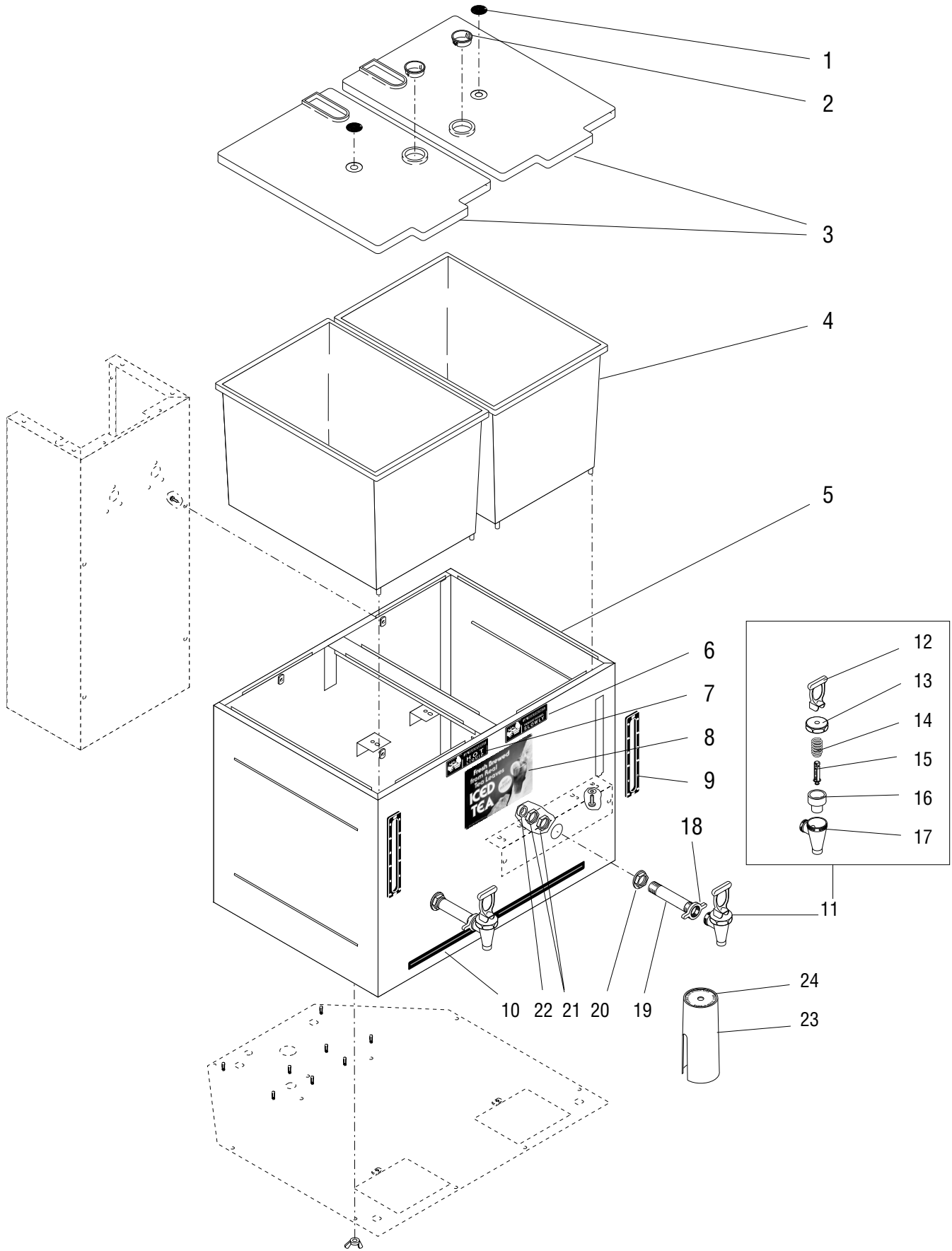
TOP COVER, HOOD, TRUNK, BASE AND PANELS (T6)

ITEM	PART NO.	QTY.	DESCRIPTION
1	03423.1001	1	Cover, Top (Includes item 2) (Also order item 19)
	03423.0000	1	Cover, Top ("A" Models only) (Also order item 19)
	01382.0000	4	Screw, Truss Head #6-32 x .375"
2	10830.0000	1	Schematic, Electrical 120V
3	03381.0000	1	Hood (Also order item 4)
	03381.0005	1	Hood (Brewers with ready light) (Also order item 4)
	02308.0000	6	Screw, Pan Head - Serrated #8-32 x .375"
4	03364.0000	1	Decal, Hood-Switch
	03364.0001	1	Decal, Hood-Switch (Brewers with ready light)
5	-----	1	Trunk Assy (Not Available)
	-----	1	Trunk Assy ("A" Models only)(Not Available)
	00970.0000	6	Nut, Hex Keps #8-32
6	03426.0000	1	Base
7	00983.0000	4	Nut, Cage .357"-16
8	03359.0000	4	Leg, Adjustable (See item 17)
9	03993.0000	4	Pad, Rubber .70" Dia (See item 17)
10	03427.0000	2	Cover, Access
	01315.0000	2	Screw, Truss Head #8-32 x .375"
	01511.0000	2	Lockwasher, External Tooth #8
11	03011.0000	1	Plug, Vent 1.0" Dia
12	03428.1000	1	Panel W/Decals, Trunk (Includes items 13 & 14)
	01315.0000	6	Screw, Truss Head #8-32 x .375"
	00917.0000	6	Fastener, J-Type #8-32
13	00831.0000	1	Decal, Electrical Warning
14	00656.0000	1	Decal, Comply With Plumbing Code
15	-----	1	Edging, 2" LG (Order item 18)
16	05749.0001	1	Plug, Hole .625" Dia ("A" Models only)
17	24600.0000	-	Kit, Legs (Includes four legs and pads)
18	02712.1000	-	Edging, 18" LG
19	32540.0000	1	Decal, Batch set (Digital Timer) (Late Models)



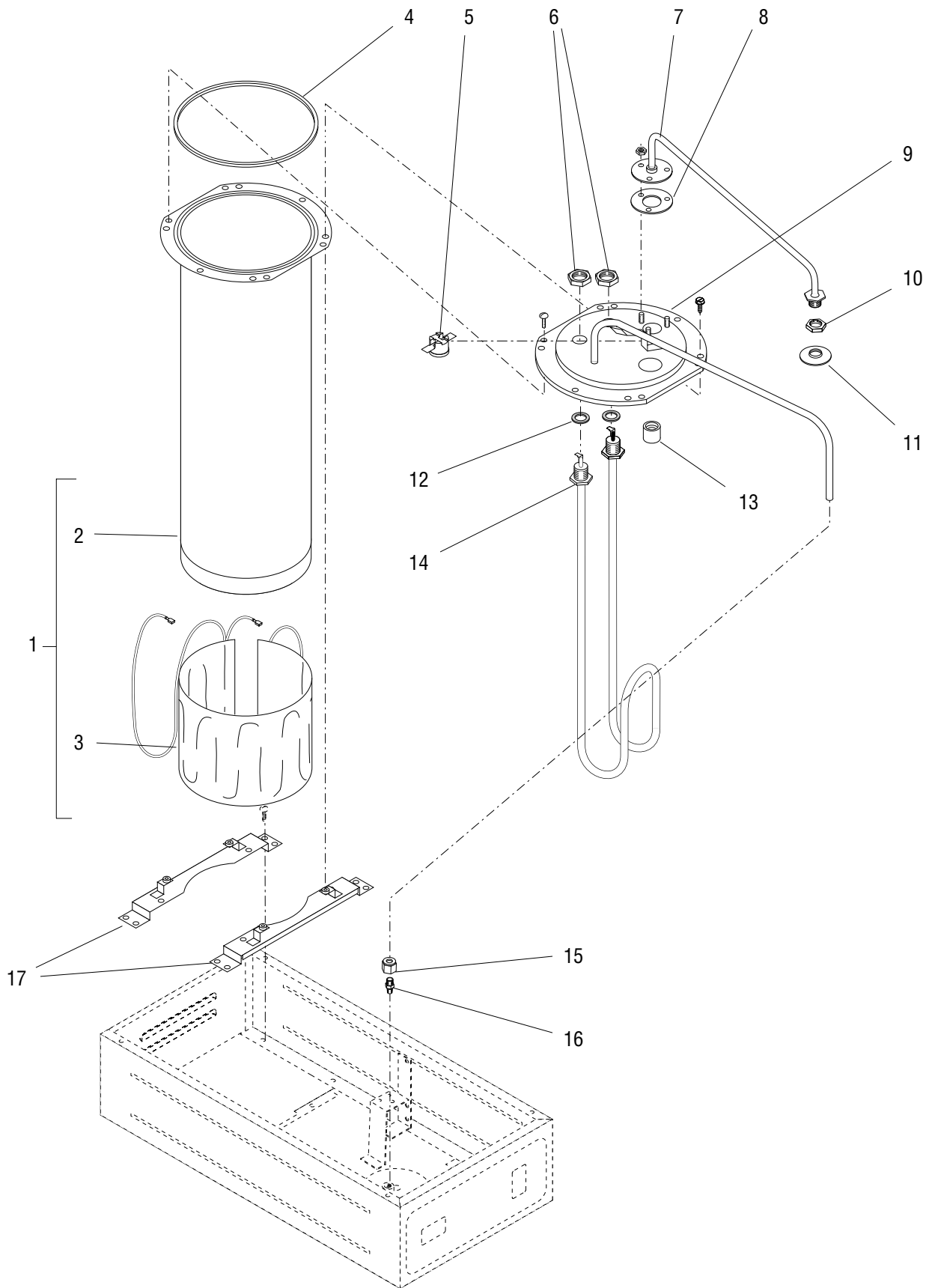
RESERVOIR, GAUGE AND FAUCET - T3 & T3A

ITEM	PART NO.	QTY.	DESCRIPTION
1	00778.0000	1	Decal, BUNN-O-MATIC, Round
2	03285.0000	1	Bushing, Lid Insert
3	03711.0000	1	Lid, Reservoir
4	03078.1002	1	Reservoir
	01395.0000	4	Screw, Thuss Head Thread Cutting #6 x .375"
	01501.0000	4	Washer, Flat .164" I.D. x .375" O.D.
5	-----	1	Housing, Reservoir (Not Available)
	01386.0000	4	Wing Nut, #8-32
6	03408.0000	1	Decal, Warning - Remove Funnel
7	03409.0000	1	Decal, Warning - Hot Liquid
8	03043.0002	1	Decal, Fresh Brewed Iced Tea
9	03754.0002	1	Gauge, Sight
10	22306.0000	1	Decal, Red Decorative Stripe
11	03260.0000	1	Faucet Assy, Brown (Includes items 12 thru 17)
	03260.0001	1	Faucet Assy, Black (Includes items 12 thru 17)
12	29163.0000	1	Handle, Faucet - Brown (See item 23)
	29163.0001	1	Handle, Faucet - Black (See item 23)
13	29165.0000	1	Nut, Faucet Bonnet - Brown
	29165.0001	1	Nut, Faucet Bonnet - Black
14	00601.0000	1	Spring, Faucet (See item 23)
15	29164.0000	1	Stem, Faucet (See item 23)
16	00600.0000	1	Cup, Faucet (See item 23)
17	-----	1	Body, Faucet (Not available order item 11)
18	03093.0000	1	Wing Nut, Faucet - Brown
	03093.0002	1	Wing Nut, Faucet - Black
19	03362.0002	1	Shank, Faucet - Brown
	03362.0003	1	Shank, Faucet - Black (5.25")
	03362.0004	1	Shank, Faucet - Black (4.88")
20	03092.0000	1	Nut, Flanged - Brown
	03092.0001	1	Nut, Flanged - Black
21	00958.0000	2	Nut, Hex Brass .50"-14 NPSM
22	03099.0000	1	Gasket
23	29166.0000	1	Faucet Repair Kit - Brown (Includes items 12, 14, 15 & 16)
	29166.0001	1	Faucet Repair Kit - Black (Includes items 12, 14, 15 & 16)
24	00674.0000	1	Brush, Faucet (Not Illustrated)



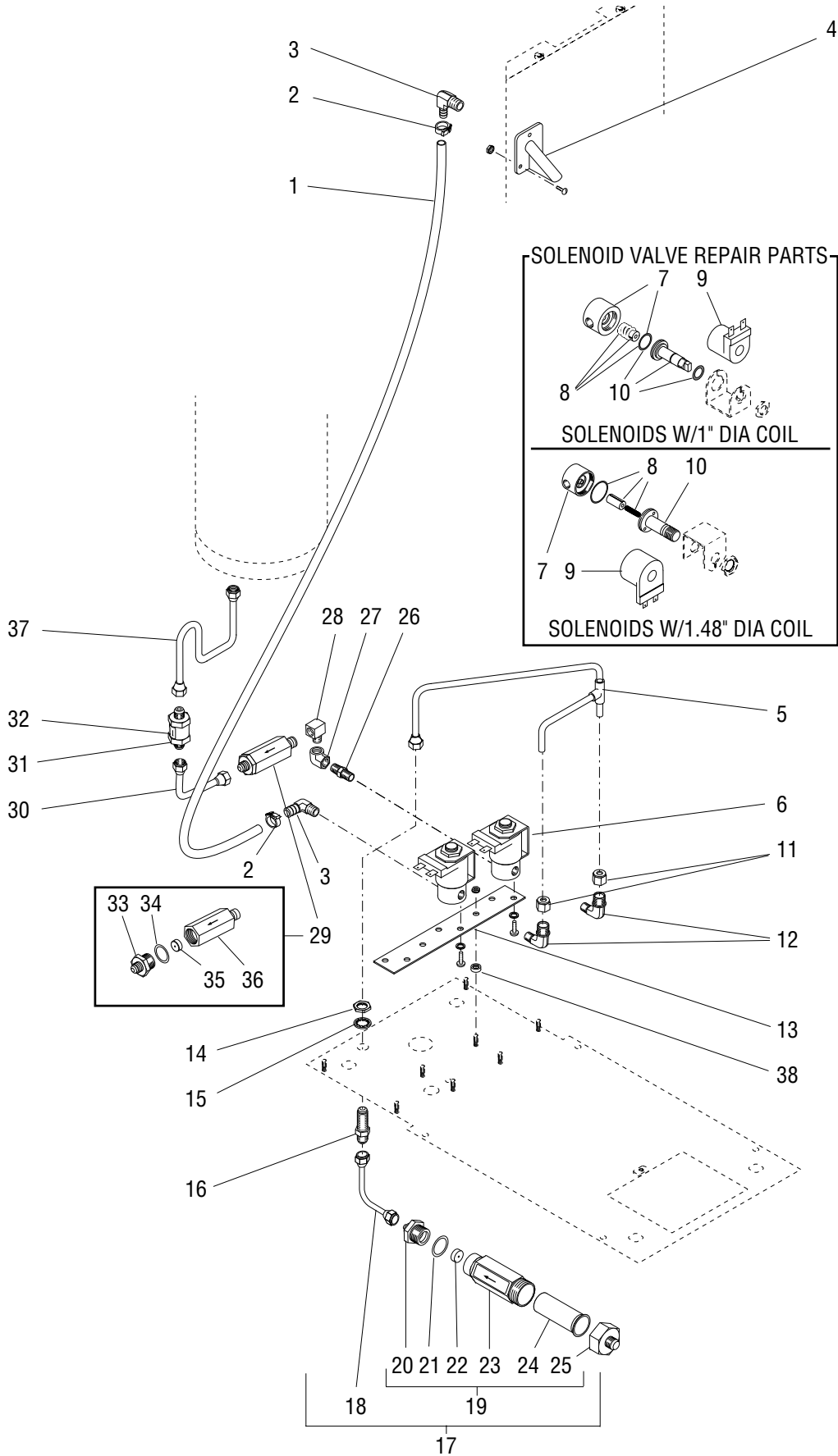
RESERVOIR, GAUGE AND FAUCET - T6 & T6A

ITEM	PART NO.	QTY.	DESCRIPTION
1	00778.0000	1	Decal, BUNN-O-MATIC, Round
2	03285.0000	1	Bushing, Lid Insert
3	03019.0002	1	Lid, Reservoir - Right
	03020.0002	1	Lid, Reservoir - Left
4	03078.1002	2	Reservoir
	01395.0000	8	Screw, Thuss Head Thread Cutting #6 x .375"
	01501.0000	8	Washer, Flat .164" I.D. x .375" O.D.
5	-----	1	Housing, Reservoir (Not Available)
	01386.0000	4	Wing Nut, #8-32
6	03408.0000	1	Decal, Warning - Remove Funnel
7	03409.0000	1	Decal, Warning - Hot Liquid
8	03043.0002	1	Decal, Fresh Brewed Iced Tea
9	03754.0002	2	Gauge, Sight
10	24230.0000	1	Decal, Red Decorative Stripe
11	03260.0000	2	Faucet Assy, Brown (Includes items 12 thru 17)
	03260.0001	2	Faucet Assy, Black (Includes items 12 thru 17)
12	29163.0000	1	Handle, Faucet - Brown (See item 25)
	29163.0001	1	Handle, Faucet - Black (See item 25)
13	29165.0000	1	Nut, Faucet Bonnet - Brown
	29165.0001	1	Nut, Faucet Bonnet - Black
14	00601.0000	1	Spring, Faucet (See item 25)
15	29164.0000	1	Stem, Faucet (See item 25)
16	00600.0000	1	Cup, Faucet (See item 25)
17	-----	1	Body, Faucet (Not available order item 11)
18	03093.0000	2	Wing Nut, Faucet - Brown
	03093.0002	2	Wing Nut, Faucet - Black
19	03362.0000	2	Shank, Faucet - Brown
	03362.0003	2	Shank, Faucet - Black
20	03092.0000	2	Nut, Flanged - Brown
	03092.0001	2	Nut, Flanged - Black
21	00958.0000	4	Nut, Hex Brass .50"-14 NPSM
22	03099.0000	2	Gasket
23	07187.0001	1	Cover, Faucet (Includes item 24)
24	00855.0000	1	Decal, Faucet Cover
25	29166.0000	1	Faucet Repair Kit - Brown (Includes items 12, 14, 15 & 16)
	29166.0001	1	Faucet Repair Kit - Black (Includes items 12, 14, 15 & 16)
26	00674.0000	1	Brush, Faucet (Not Illustrated)



TANK ASSEMBLY

ITEM	PART NO.	QTY.	DESCRIPTION
-	05696.0007	1	Tank Assembly, 1680W 120V (Includes items 1 thru 9, 12, 13, 14)
-	-----	1	Tank Assembly, 1680W 100V (Includes items 2, 4 thru 9, 12, 13, 14)(Not Available. Order components)
-	-----	1	Tank Assembly, 1680W 230V (Includes items 1 thru 9, 12, 13, 14)(Not Available. Order Components)
	01315.0000	4	Screw, Truss Head #8-32 x .375"
1	03045.0000	1	Tank W/Blanket Warmer 120V (Includes items 2 &3)
	03045.0003	1	Tank W/Blanket Warmer 230V (Includes items 2 &3)
2	03068.0000	1	Tank
3	03468.0000	1	Blanket Warmer, 55W 120V
	03470.0000	1	Blanket Warmer, 55W 230V
4	04844.0000	1	Gasket, Tank Lid
5	29329.1000	1	Thermostat, Limit 30 amp
6	00942.0000	2	Nut, Hex .50"-20
7	05557.0000	1	Sprayhead Tube Kit (Includes 3 mounting nuts below, items 8 & 13)
	00908.0000	3	Nut, Hex #8-32
8	05515.0000	1	Gasket, Sprayhead Tube
9	03371.0000	1	Lid Assembly, Tank (Includes item 15)
	02337.0002	6	Screw, Hex Head Thread Forming #10 x .50"
10	01075.0000	1	Nut, Hex .438"-20
11	01082.0000	1	Sprayhead, 6 Hole
	01082.0003	1	Sprayhead, 7 Hole
12	00943.0000	2	Gasket, Tank Heater
13	05518.0000	1	Syphon Hub
14	03070.1000	1	Tank Heater, 1680W 120V
	03299.1000	1	Tank Heater, 1680W 230V
	03297.1000	1	Tank Heater, 1680W 100V
			} Includes item 12
15	00929.0001	1	Nut/Sleeve, .375" Tube
16	00406.0001	1	Fitting, .375" Tube x .125" MPT
17	03387.0000	2	Bracket, Tank Mounting
	01315.0000	4	Screw, Truss Head #8-32 x .375"

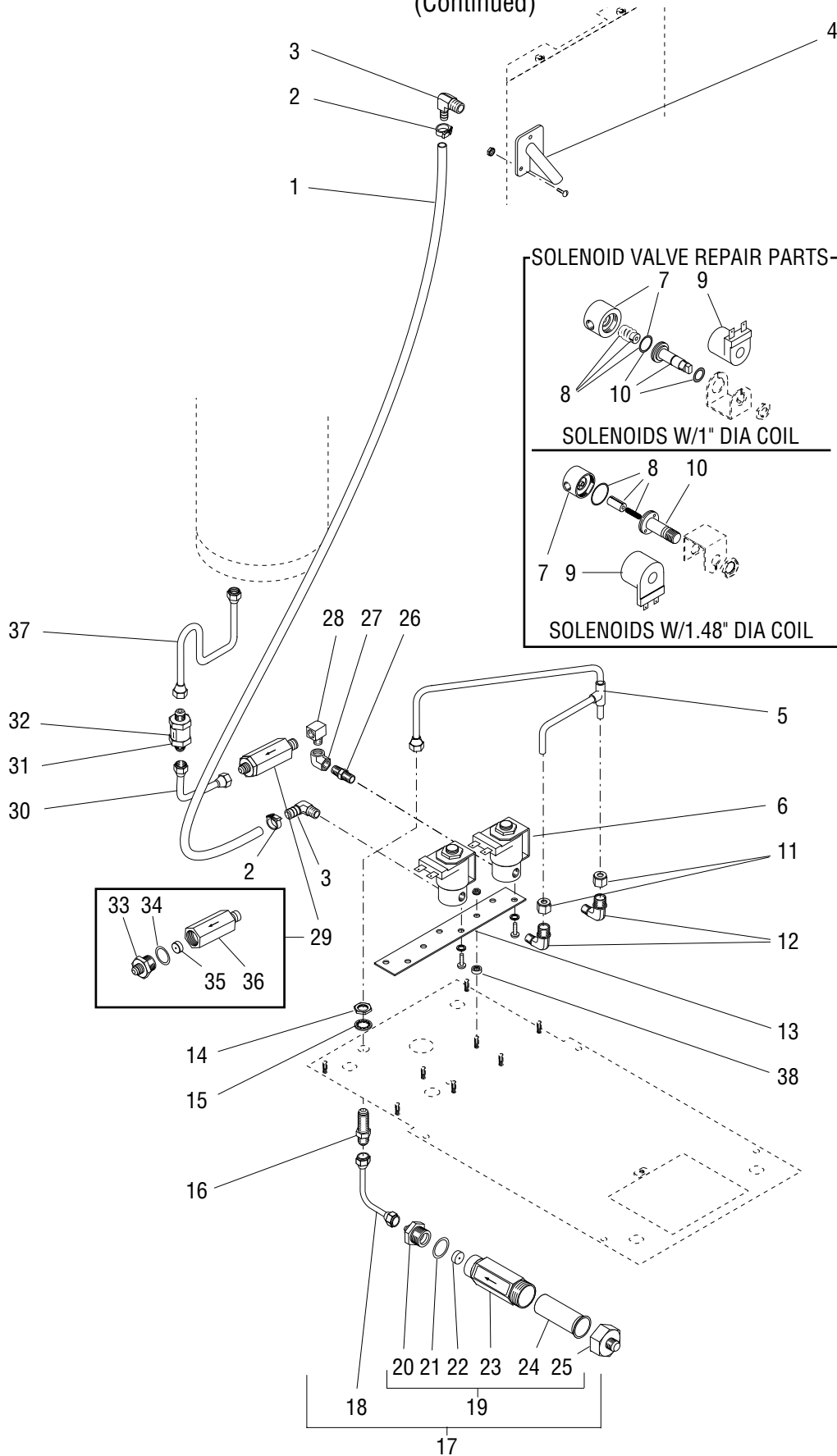


STRAINER/FLOW CONTROL, SOLENOIDS AND LINES - T3

ITEM	PART NO.	QTY.	DESCRIPTION
1	-----	1	Tube, Silicone, .250" I.D. x 18.5" LG (Order item 39)
2	12422.0000	2	Clamp, Hose - Snap Type .47".54" I.D.
3	00464.0001	2	Elbow, .250" Barb x .125" MPT
4	03717.0000	1	Nozzle, Dilution
	01382.0000	3	Screw, Truss Head Serrated #6-32 x .375"
	00973.0000	3	Nut, Keps #6-32
5	25521.0000	1	Tube Assembly, Solenoids to Bulkhead (Includes items 11)
6	-----	2	Solenoid Valve, 120V - 1.48" Dia Coil (Not Available. Order 01085.0002)
	01085.0002	2	Solenoid Valve, 120V - 1" Dia Coil
	01975.0000	2	Solenoid Valve, 240V - 1.48" Dia Coil
	01327.0000	4	Screw, Pan Head #10-32 x .375"
	01502.0000	4	Lockwasher, Split #10
7	01079.0000	1	Solenoid Valve Base - 1.48" Dia Coil
	28479.0000	1	Solenoid Valve Base Kit -1" Dia Coil (Includes O-ring)
8	01111.0000	1	Solenoid Valve Repair Kit - 1.48" Dia Coil (Includes Plunger, Seal and Spring)
	01111.0002	1	Solenoid Valve Repair Kit - 1" Dia Coil (Includes Plunger, Spring and O-ring)
9	01101.0000	1	Solenoid Valve Coil, 120V - 1.48" Dia Coil
	28480.0000	1	Solenoid Valve Coil, 120V - 1" Dia Coil
	01100.0000	1	Solenoid Valve Coil, 240V - 1.48" Dia Coil
10	01116.0000	1	Guide - 1.48" Dia Coil
	28481.0000	1	Guide Kit - 1" Dia Coil (Includes Washer and O-ring)
11	00443.0001	2	Nut/Sleeve, .250" Tube
12	00465.0001	2	Elbow Assembly, .125" MPT x .250" Tube (Includes item 11)
13	03170.0000	1	Plate, Solenoid Valve Mounting
	00970.0000	2	Nut, Keps #8-32
14	00463.0000	1	Nut, Hex - Brass .438"-20
15	01532.0000	1	Lockwasher, Internal Tooth .438"
16	00459.0000	1	Fitting, Bulkhead .250" Flare
17	24356.0750	1	Strainer/Flow Control W/Tubing (.750 GPM) (Includes items 18 & 19)
18	00310.0000	1	Tube Assembly, Strainer/Flow Control to Bulkhead
19	22300.0750	1	Strainer/Flow Control Assembly (Includes items 20 thru 25)
20	01154.0000	1	Fitting, Flow Control Outlet
21	01155.0000	1	Gasket, Flow Control
22	20526.1750	1	Flow Washer/Gasket Kit (.750 GPM) (Includes item 21)
23	-----	1	Body (Not Available. Order item 19)
24	23721.0000	1	Screen

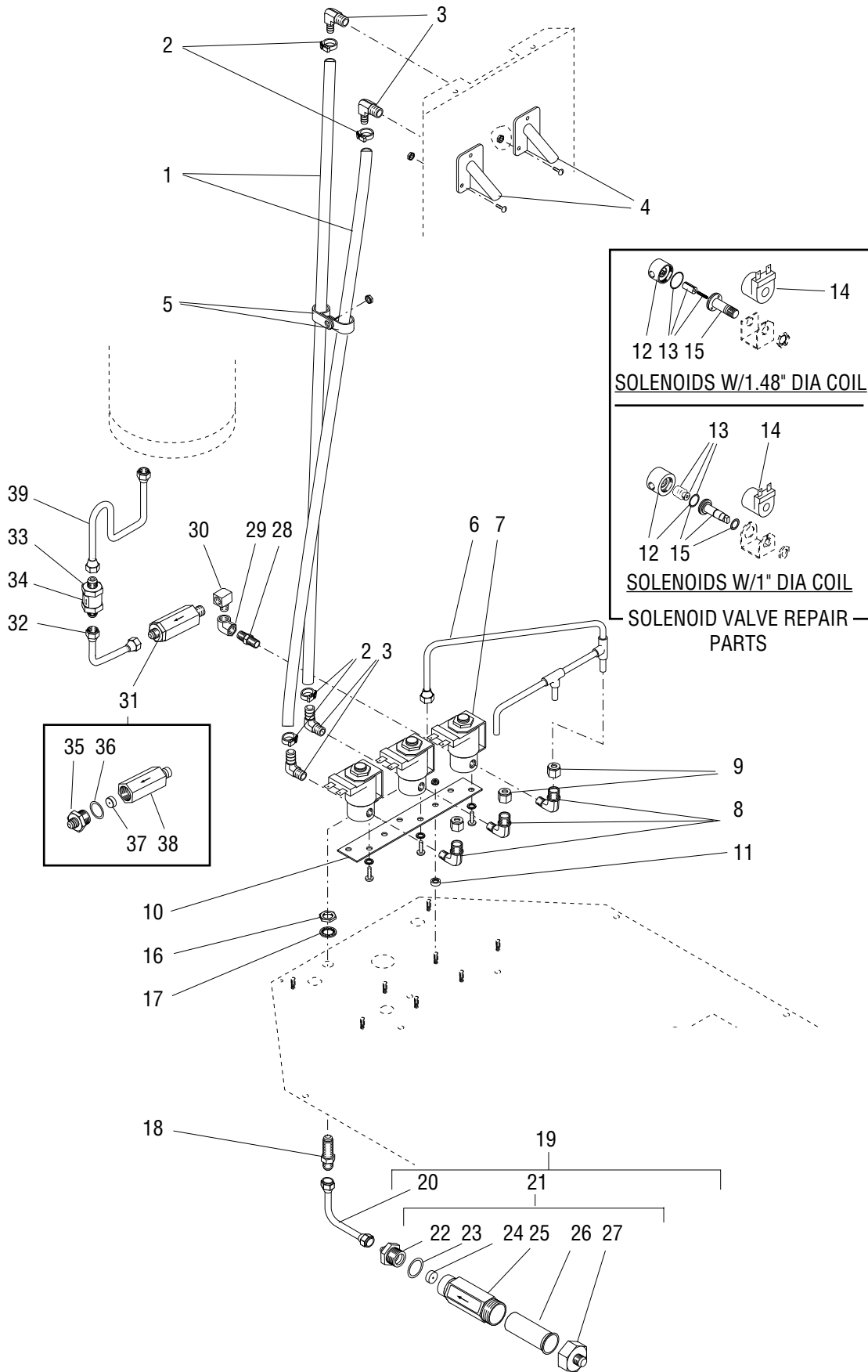
(Continued)

(Continued)



STRAINER/FLOW CONTROL, SOLENOIDS AND LINES - T3

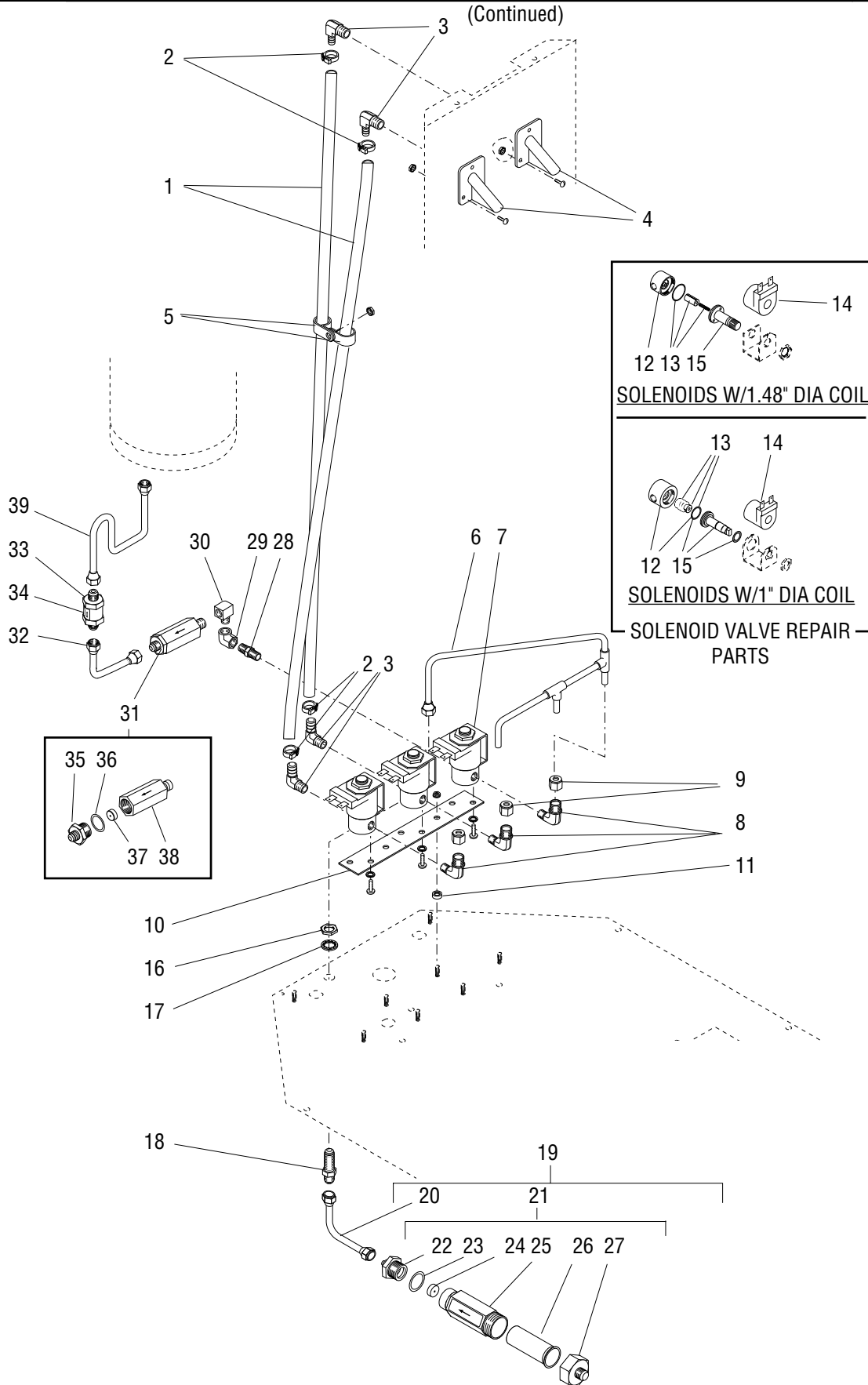
ITEM	PART NO.	QTY.	DESCRIPTION
25	22249.0000	1	Fitting, Flow Control Inlet
26	00412.0001	1	Nipple, Hex .125" MPT
27	00435.0001	1	Elbow, .125" NPT Female
28	00432.0001	1	Elbow, .125" NPT Male/Female
29	20528.1195	1	Flow Control Assembly (.195 GPM) (Includes items 33 thru 36)
30	00310.0002	1	Tube Assembly, Flow Control to Check Valve
31	01171.0001	1	Valve, Check (Includes item 32) (Refer to item 40 for repair kit)
32	20554.0001	1	Decal, Check Valve
33	01154.0001	1	Fitting, Flow Control Outlet
34	01155.0000	1	Gasket, Flow Control
35	20526.1195	1	Flow Washer/Gasket Kit (.195 GPM) (Includes item 34)
36	-----	1	Body, Flow Control (Not Available. Order item 29)
37	03453.0000	1	Tube Assembly, Check Valve to Tank
38	20895.0000	2	Washer, Shouldered
39	11707.1001	-	Tube, Silicone .250" I.D. x .50" O.D. x 36" LG (Not Illustrated)
	11707.1002	-	Tube, Silicone .250" I.D. x .50" O.D. x 120" LG (Not Illustrated)
40	01170.0000	1	Check Valve Repair Kit (Contains gasket, spring & seat assembly)(Not Illustrated)



STRAINER/FLOW CONTROL, SOLENOIDS AND LINES - T6

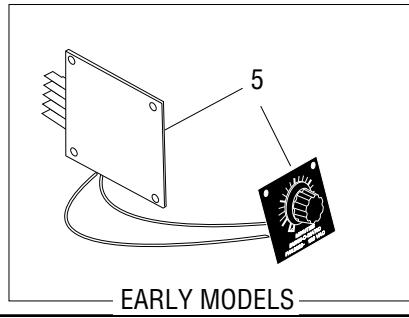
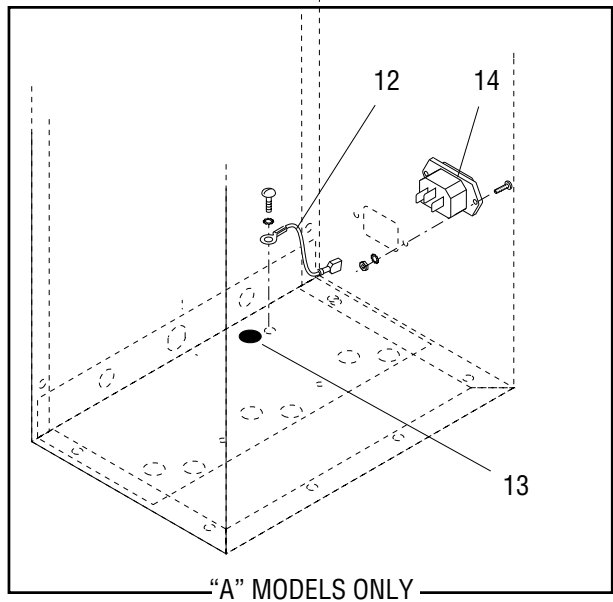
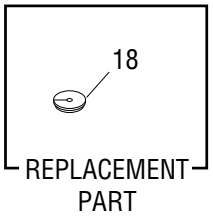
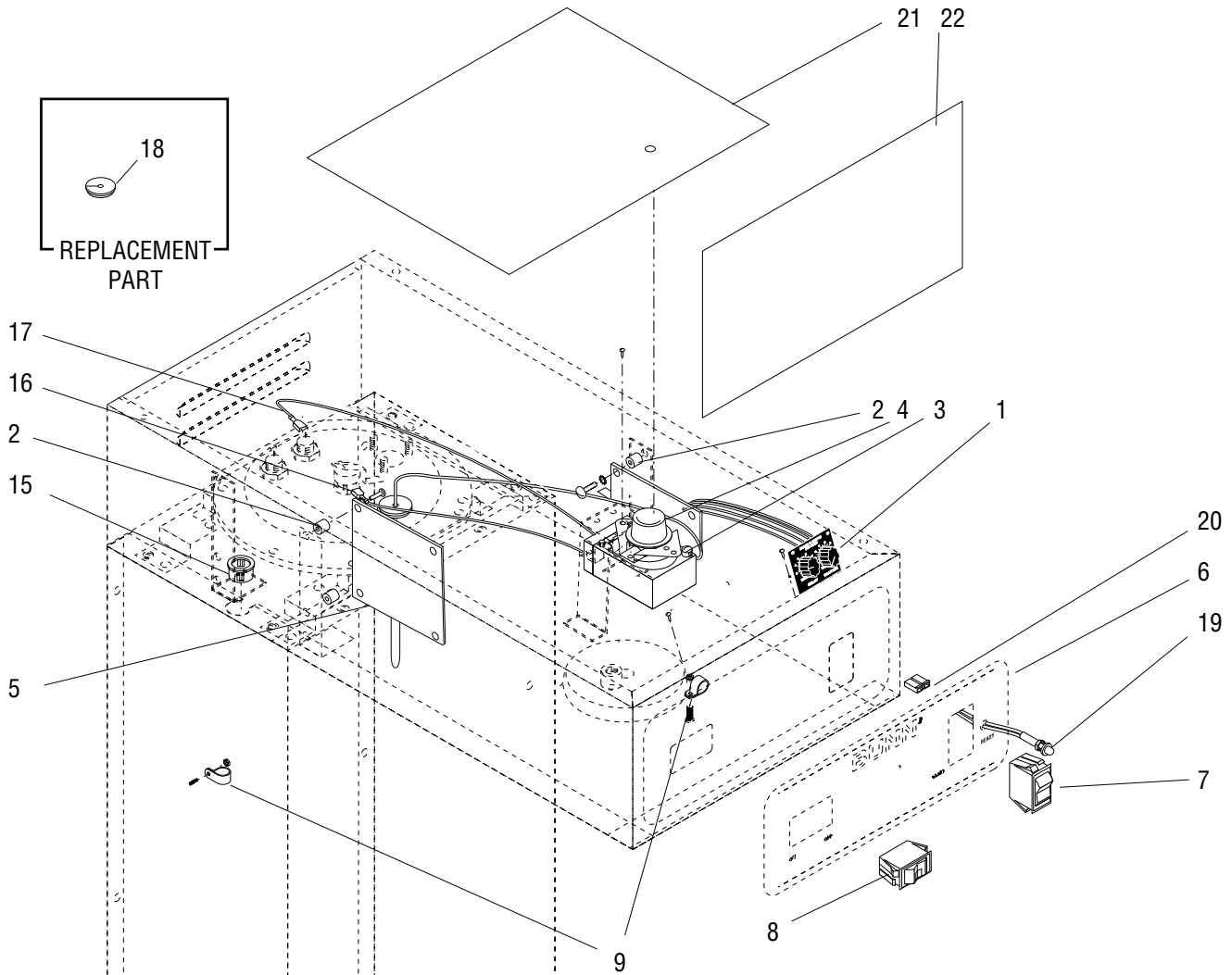
ITEM	PART NO.	QTY.	DESCRIPTION
1	-----	2	Tube, Silicone, .250" I.D. x .50" O.D. x 18.5" LG (Order item40)
2	12422.0000	4	Clamp, Hose - Snap Type .47"/.54" I.D.
3	00464.0001	4	Elbow, .250" Barb x .125" MPT
4	03717.0000	2	Nozzle, Dilution
	01382.0000	6	Screw, Truss Head Serrated #6-32 x .375"
	00973.0000	6	Nut, Keps #6
5	00603.0000	2	Clamp, Hose
6	25522.0000	1	Tube Assembly, Solenoids to Bulkhead (Includes item 9)
7	-----	3	Solenoid Valve, 120V - 1.48" Dia Coil (Not Available. Order 01085.0002)
	01085.0002	3	Solenoid Valve, 120V - 1" Dia Coil
	01975.0000	3	Solenoid Valve, 240V - 1.48" Dia Coil
	01327.0000	6	Screw, Pan Head #10-32 x .375"
	01502.0000	6	Lockwasher, Split #10
8	00465.0001	2	Elbow Assembly, .125" MPT x .250" Tube (Includes item 9)
9	00443.0001	3	Nut/Sleeve, .250" Tube
10	03170.0000	1	Plate, Solenoid Valve Mounting
	00970.0000	2	Nut, Keps #8-32
11	20875.0000	2	Washer, Shouldered
12	01079.0000	1	Solenoid Valve Base - 1.48" Dia Coil
	28479.0000	1	Solenoid Valve Base Kit - 1" Dia Coil (Includes O-ring)
13	01111.0000	1	Solenoid Valve Repair Kit - 1.48" Dia Coil (Includes Plunger, Seal and Spring)
	01111.0002	1	Solenoid Valve Repair Kit - 1" Dia Coil (Includes Plunger, Spring and O-ring)
14	01101.0000	1	Solenoid Valve Coil, 120V - 1.48" Dia Coil
	28480.0000	1	Solenoid Valve Coil, 120V - 1" Dia Coil
	01100.0000	1	Solenoid Valve Coil, 240V - 1.48" Dia Coil
	01139.0000	1	Solenoid Valve Coil, 100V - 1.48" Dia Coil
15	01116.0000	1	Guide - 1.48" Dia Coil
	28481.0000	1	Guide Kit - 1" Dia Coil (Includes Washer and O-ring)
16	00463.0000	1	Nut, Hex - Brass .438"-20
17	01532.0000	1	Lockwasher, Internal Tooth .438"
18	00459.0000	1	Fitting, Bulkhead .250" Flare
19	24356.0750	1	Strainer/Flow Control W/Tubing (.750 GPM) (Includes items 20 & 21)
20	00310.0000	1	Tube Assembly, Strainer/Flow Control to Bulkhead
21	22300.0750	1	Strainer/Flow Control Assembly (Includes items 22 thru 27)
22	01154.0000	1	Fitting, Flow Control Outlet
23	01155.0000	1	Gasket, Flow Control

(Continued)



STRAINER/FLOW CONTROL, SOLENOIDS AND LINES - T6

ITEM	PART NO.	QTY.	DESCRIPTION
24	20526.1750	1	Flow Washer/Gasket Kit (.750 GPM) (Includes item 23)
25	-----	1	Body (Not Available. Order item 21)
26	23721.0000	1	Screen
27	22249.0000	1	Fitting, Flow Control Inlet
28	00412.0001	1	Nipple, Hex .125" MPT
29	00435.0001	1	Elbow, .125" NPT Female
30	00432.0001	1	Elbow, .125" NPT Male/Female
31	20528.1195	1	Flow Control Assembly (.195 GPM) (Includes items 35 thru 38)
32	00310.0002	1	Tube Assembly, Flow Control to Check Valve
33	01171.0001	1	Valve, Check (Includes item 34) (Refer to item 41 for repair kit)
34	20554.0001	1	Decal, Check Valve
35	01154.0001	1	Fitting, Flow Control Outlet
36	01155.0000	1	Gasket, Flow Control
37	20526.1195	1	Flow Washer/Gasket Kit (.195 GPM) (Includes item 34)
38	-----	1	Body, Flow Control (Not Available. Order item 29)
39	03453.0000	1	Tube Assembly, Check Valve to Tank
40	11707.1001	-	Tube, Silicone .250" I.D. x .50" O.D. x 36" LG
	11707.1002	-	Tube, Silicone .250" I.D. x .50" O.D. x 120" LG
41	01170.0000	1	Check Valve Repair Kit (Contains a gasket, spring & seat assembly)(Not Illustrated)

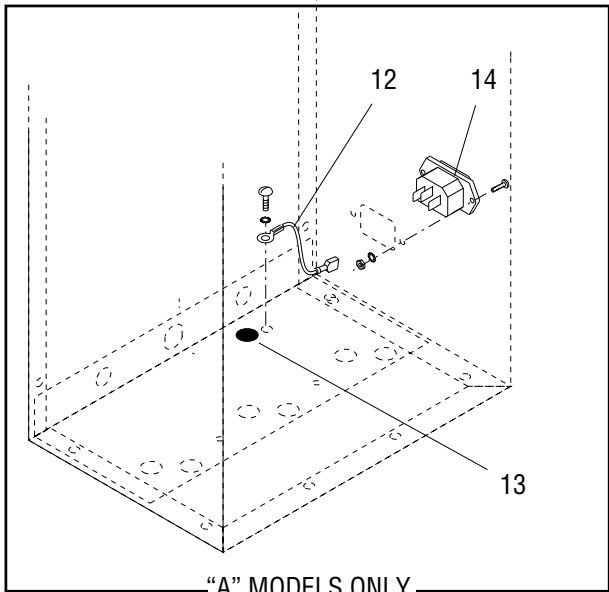
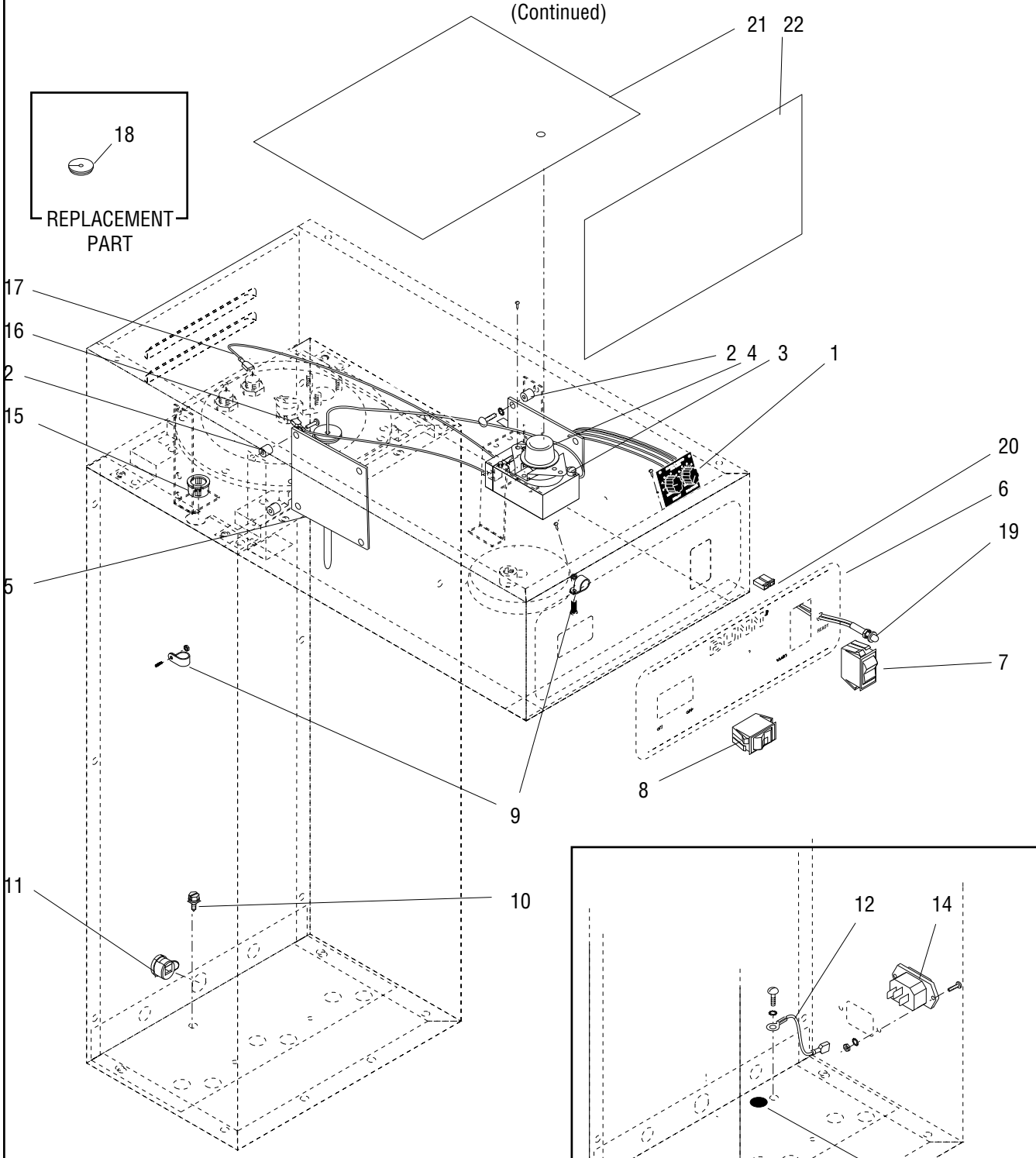


ELECTRICAL AND OPERATING CONTROLS

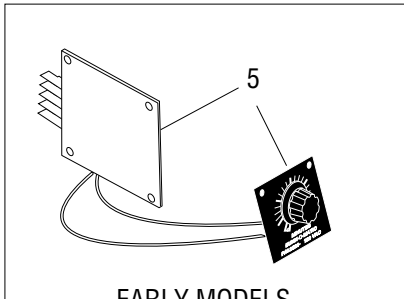
ITEM	PART NO.	QTY.	DESCRIPTION
1	03355.1000	1	Timer, Dual - 120V
	03355.1030	1	Timer, Dual - 120V (Long Delay)
	03355.1003	1	Timer, Dual - 120V (Brewers W/Full - Half Batch Option; also "B" Models)
	03355.1011	1	Timer, Dual - 240V ("A" Models)
	01347.0000	2	Screw, Truss Head Serrated #6-32 x .375"
	01388.0000	2	Screw, Pan Head #6-32 x .75"
	01510.0000	2	Lockwasher, External Tooth #6
2	01533.0000	4	Spacer, .171" I.D. x .375" O.D. x .375" LG
3	03024.0005	1	Thermostat Kit 120V (Includes item 4)(Late Models. Also replaces early model thermostat)
	01310.0000	1	Screw, Pan Head #6-32 x .25"]
	01510.0000	1	Lockwasher, External Tooth #6] Mounting
	20762.0000	1	Screw, Binding Head #8-32 x .25" (Terminal)
4	00720.0000	1	Knob, Thermostat
5	-----	1	Timer, 5 Min - 120V (Early Models - Order Item 27)
	-----	1	Timer, 5 Min - 120V (Brewers W/Full - Half Batch Option; also "B" Models)(Early Models - Order Item 27)
	-----	1	Timer, 5 Min - 240V (T3 "A" Models)(Early Models - Order Item 27)
	-----	1	Timer, 5 Min - 240V (T6 "A" Models)(Early Models - Order Item 27)
	32400.0002	1	Digital Timer, 120V (Late Models)
	32400.0003	1	Digital Timer, 240V (Late Models)
	01347.0000	2	Screw, Truss Head Serrated #6-32 x .375"
	01388.0000	2	Screw, Pan Head #6-32 x .75"
	01510.0000	2	Lockwasher, External Tooth #6
	12919.0008	1	Cap, Terminal (Not illustrated)
6	-----	1	Decal (See TOP COVER, HOOD, TRUNK, BASE AND PANELS)
7	03358.0000	1	Switch, Start (Brown)
	03358.0001	1	Switch, Start (Black)
8	03357.0000	1	Switch, ON/OFF (Brown)
	03357.0003	1	Switch, ON/OFF (Black)
	03356.0000	1	Switch, ON/OFF/ON (Brown) (Brewers W/Full - Half Batch Option; also "A" Models)
	03356.0001	1	Switch, ON/OFF/ON (Black) (Brewers W/Full - Half Batch Option; also "A" Models)
9	00603.0000	3	Clamp, Cable
	00970.0000	3	Nut, Keps #8-32
10	01309.0000	1	Screw, Power Cord Ground - Pan Head W/Washer #10-32 x .50"
11	00707.0000	1	Bushing, Strain Relief
12	21016.0044	1	Lead, Electrical Ground 16AWG GRN/YEL 15" Long
	01375.0000	1	Screw, Pan Head - Brass #10-32 x .50"
	01512.0000	1	Lockwasher, External Tooth #10
13	00824.0000	1	Decal, Ground
14	01908.0000	1	Connector, Power - 3 Pin 10 amp 250V
	01362.0000	2	Screw, Oval Head #4-40 x .50"
	01509.0000	2	Lockwasher, External Tooth #4
	00937.0000	2	Nut, Hex #4-40

"A" Models Only

(Continued)



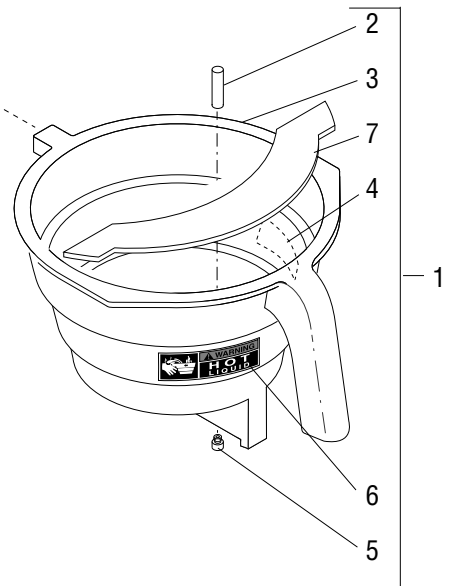
"A" MODELS ONLY



EARLY MODELS

ELECTRICAL AND OPERATING CONTROLS

ITEM	PART NO.	QTY.	DESCRIPTION	
15	00614.0000	1	Bushing, .469" I.D.	
16	21016.0002	1	Lead, Heater to Control Thermostat - BLK 16AWG 15" LG	
17	21016.0001	1	Lead, Limit Thermostat to Control Thermostat - BLU/BLK 16AWG 11" LG	
18	07073.0000	1	Grommet, Thermostat	
19	12984.0002	1	Lamp Assy, Green - 120V (Includes item 20)	
20	04243.0000	2	Terminal Housing	
21	00636.0000	1	Shield, Polyester - Timer Boards	
22	00637.0000	1	Shield, Polyester - Switch Terminals	
23	21000.0074	1	Lead, Warmer Blanket to Main Harness 18AWG BLK 7.5" LG	<div style="display: flex; align-items: center;"> <div style="border-left: 1px solid black; border-right: 1px solid black; border-top: 1px solid black; border-bottom: 1px solid black; width: 100px; height: 100px; margin-right: 10px;"></div> <div style="display: flex; flex-direction: column; justify-content: space-between; align-items: center;"> <div style="font-size: 2em;">}</div> <div style="font-size: 1.2em;">"A" Models Only</div> <div style="font-size: 2em;">}</div> </div> <div style="margin-left: 10px;"> <p>Not Illustrated</p> </div> </div>
	21001.0098	1	Lead, Warmer Blanket to Main Harness 18AWG WHI 7.5" LG	
	21003.0174	1	Lead, Warmer Blanket to Main Harness 18AWG RED 6.5" LG (“A” Models)	
	21003.0173	1	Lead, Power Connector to Main Harness 18AWG RED 14.0" LG	
	21000.0421	1	Lead, Power Connector to Main Harness 18AWG BLK 14.0" LG	
	02240.0002	3	Lead Assembly, Timers to Selector Switch 22AWG PNK & GRY (Brewers W/Half-Full Batch Option)	
24	01637.0000	1	Cord, Power 120V & 100V	
25	03739.0000	1	Wiring Harness, Main 120V (T3)	
	03740.0000	1	Wiring Harness, Main 240V (T3)	
	20794.0000	1	Wiring Harness, Main 120V (T6)	
	-----	1	Wiring Harness, Main 240V (T6)(Not Available)	
	12985.0000	1	Wiring Harness, Ready Light	
26	00617.0000	-	Tie, Cable 3.9" LG	
27	32400.0000	-	Digital Timer Kit - 120V (Replaces early model timers with Digital Timer)	
28	32400.0001	-	Digital Timer Kit - 240V (Replaces early model timers with Digital Timer)	



FUNNEL ASSEMBLY

ITEM	PART NO.	QTY.	DESCRIPTION
1	03021.0004	1	Funnel Assembly, Brew Tea - Smoke (Includes items 2 thru 7) (T3)
	03021.0003	1	Funnel Assembly, Brew Tea - Smoke (Includes items 2 thru 7) (T6)
2	03284.0000	1	Adaptror W/Screen, Funnel (See item 8)
3	-----	1	Funnel, Brew Tea - Smoke (Not Available. Order item 1)
4	03408.0000	1	Decal, Caution - Remove Funnel
5	03407.0000	1	Funnel Tip, .082" Dia (See item 8)
6	03409.0000	1	Decal, Caution - Hot Liquid
7	32965.0000	1	Splashguard
8	01037.0002	-	Funnel Tip & Screen Kit (Includes items 2 & 5)

NUMERICAL INDEX

PART NO.	PAGE NO.	PART NO.	PAGE NO.	PART NO.	PAGE NO.	PART NO.	PAGE NO.
00310.0000	15,19	01327.0000	15,19	03357.0000	23	20528.1195	17,21
00310.0002	17,21	01347.0000	23	03357.0003	23	20554.0001	17,21
00406.0001	13	01362.0000	25	03358.0000	23	20762.0000	23
00412.0001	17,21	01375.0000	25	03358.0001	23	20794.0000	25
00432.0001	17,21	01382.0000	5,7,15,19	03359.0000	5,7	20875.0000	19
00435.0001	17,21	01386.0000	9,11	03362.0000	11	20895.0000	17
00443.0001	15,19	01388.0000	23	03362.0002	9	21000.0074	25
00459.0000	15,19	01395.0000	9,11	03362.0003	9,11	21000.0421	25
00463.0000	15,19	01501.0000	9,11	03362.0004	9	21001.0098	25
00464.0001	15,19	01502.0000	15,19	03363.0000	5	21003.0173	25
00465.0001	15,19	01509.0000	25	03363.0001	5	21003.0174	25
00600.0000	9,11	01510.0000	23	03364.0000	7	21016.0001	25
00601.0000	9,11	01511.0000	5,7	03364.0001	7	21016.0002	25
00603.0000	19,23	01512.0000	25	03371.0000	13	21016.0044	25
00614.0000	25	01532.0000	15,19	03381.0000	5,7	22249.0000	17,21
00617.0000	25	01533.0000	23	03381.0005	5,7	22300.0750	15,19
00636.0000	25	01637.0000	25	03387.0000	13	22306.0000	9
00637.0000	25	01908.0000	25	03407.0000	27	23721.0000	15,21
00656.0000	5,7	01975.0000	15,19	03408.0000	9,11,27	24230.0000	11
00674.0000	9,11	02240.0002	25	03409.0000	9,11,27	24356.0750	15,19
00707.0000	23	02308.0000	5,7	03423.0000	5,7	24600.0000	5,7
00720.0000	23	02337.0002	13	03423.1000	5	25521.0000	15
00778.0000	9,11	02712.1000	7	03423.1001	7	25522.0000	19
00824.0000	25	03011.0000	5,7	03423.1002	5	28479.0000	15,19
00831.0000	5,7	03019.0002	11	03426.0000	7	28480.0000	15,19
00855.0000	11	03020.0002	11	03427.0000	5,5	28481.0000	15,19
00908.0000	13	03021.0003	27	03428.1000	5,7	29163.0000	9,11
00917.0000	5	03021.0004	27	03453.0000	17,21	29163.0001	9,11
00929.0001	13	03024.0000	23	03468.0000	13	29164.0000	9,11
00937.0000	25	03043.0002	9,11	03470.0000	13	29165.0000	9,11
00942.0000	13	03045.0000	13	03711.0000	9	29165.0001	9,11
00943.0000	13	03045.0003	13	03717.0000	15,19	29166.0000	9,11
00958.0000	9,11	03068.0000	13	03739.0000	25	29166.0001	9,11
00970.0000	5,7,19,23	03070.1000	13	03740.0000	25	29329.1000	13
00973.0000	15,19	03078.1002	9,11	03754.0002	9,11	32400.0000	25
00983.0000	5,7	03092.0000	9,11	03993.0000	5,7	32400.0001	25
01037.0002	27	03092.0001	9,11	04243.0000	25	32400.0002	23
01075.0000	13	03093.0000	9,11	04844.0000	13	32400.0003	23
01079.0000	15,19	03093.0002	9,11	05515.0000	13	32540.0000	5,7
01082.0000	13	03099.0000	9,11	05518.0000	13	32965.0000	27
01082.0003	13	03170.0000	15,19	05557.0000	13		
01085.0002	15,19	03260.0000	9,11	05696.0007	13		
01100.0000	15,19	03260.0001	9,11	05749.0001	5		
01101.0000	15,19	03284.0000	27	07073.0000	25		
01111.0000	15,19	03285.0000	9	07187.0001	11		
01111.0002	15,19	03285.0000	11	10299.0000	5		
01116.0000	15,19	03297.1000	13	10558.0000	5		
01139.0000	19	03299.1000	13	10830.0000	7		
01154.0000	15,19	03352.0000	5	11707.1001	17,21		
01154.0001	17,21	03352.0001	5	11707.1002	17,21		
01155.0000	15,17,19,21	03355.1000	23	12422.0000	15,19		
01170.0000	19,21	03355.1003	23	12919.0008	23		
01171.0001	17,21	03355.1011	23	12984.0002	25		
01309.0000	23	03355.1030	23	12985.0000	25		
01310.0000	23	03356.0000	23	20526.1195	17,21		
01315.0000	5,7,13	03356.0001	23	20526.1750	15,21		