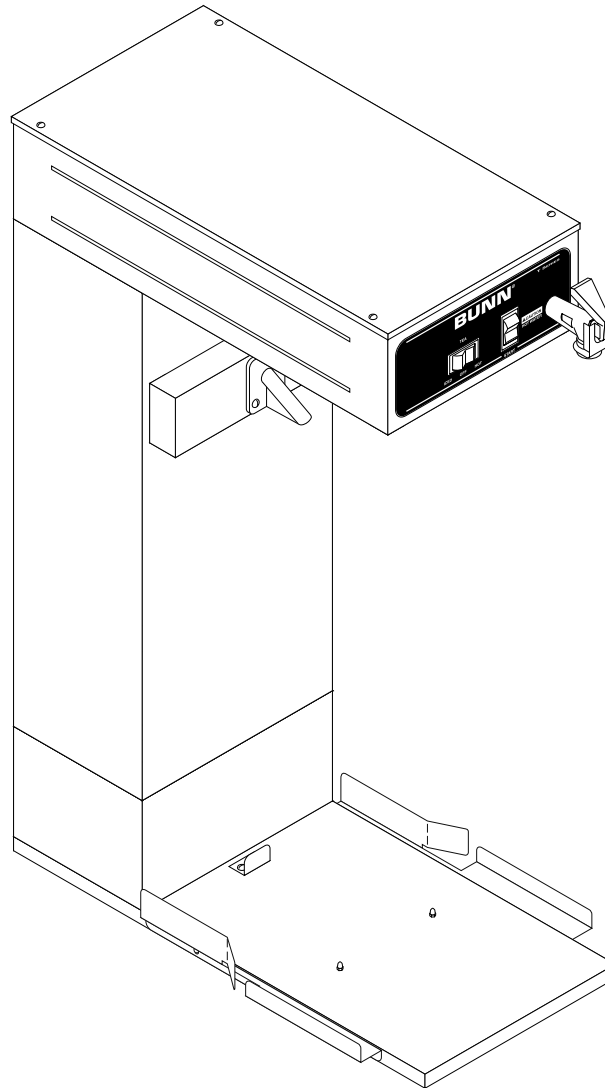


# **BUNN**®

## ***TNT-3*** ***TNTF-3***



## **ILLUSTRATED PARTS CATALOG**

Designs, materials, weights, specifications, and dimensions for equipment or replacement parts are subject to change without notice.

### **BUNN-O-MATIC CORPORATION**

**POST OFFICE BOX 3227**

**SPRINGFIELD, ILLINOIS 62708-3227**

**PHONE: (217) 529-6601 FAX: (217) 529-6644**

## **BUNN-O-MATIC COMMERCIAL PRODUCT WARRANTY**

Bunn-O-Matic Corp. ("BUNN") warrants equipment manufactured by it as follows:

- 1) All equipment other than as specified below: 2 years parts and 1 year labor.
- 2) Electronic circuit and/or control boards: parts and labor for 3 years.
- 3) Compressors on refrigeration equipment: 5 years parts and 1 year labor.
- 4) Grinding burrs on coffee grinding equipment to grind coffee to meet original factory screen sieve analysis: parts and labor for 3 years or 30,000 pounds of coffee, whichever comes first.

These warranty periods run from the date of installation BUNN warrants that the equipment manufactured by it will be commercially free of defects in material and workmanship existing at the time of manufacture and appearing within the applicable warranty period. This warranty does not apply to any equipment, component or part that was not manufactured by BUNN or that, in BUNN's judgment, has been affected by misuse, neglect, alteration, improper installation or operation, improper maintenance or repair, damage or casualty. This warranty is conditioned on the Buyer 1) giving BUNN prompt notice of any claim to be made under this warranty by telephone at (217) 529-6601 or by writing to Post Office Box 3227, Springfield, Illinois 62708-3227; 2) if requested by BUNN, shipping the defective equipment prepaid to an authorized BUNN service location; and 3) receiving prior authorization from BUNN that the defective equipment is under warranty.

**THE FOREGOING WARRANTY IS EXCLUSIVE AND IS IN LIEU OF ANY OTHER WARRANTY, WRITTEN OR ORAL, EXPRESS OR IMPLIED, INCLUDING, BUT NOT LIMITED TO, ANY IMPLIED WARRANTY OF EITHER MERCHANTABILITY OR FITNESS FOR A PARTICULAR PURPOSE.** The agents, dealers or employees of BUNN are not authorized to make modifications to this warranty or to make additional warranties that are binding on BUNN. Accordingly, statements by such individuals, whether oral or written, do not constitute warranties and should not be relied upon.

If BUNN determines in its sole discretion that the equipment does not conform to the warranty, BUNN, at its exclusive option while the equipment is under warranty, shall either 1) provide at no charge replacement parts and/or labor (during the applicable parts and labor warranty periods specified above) to repair the defective components, provided that this repair is done by a BUNN Authorized Service Representative; or 2) shall replace the equipment or refund the purchase price for the equipment.

**THE BUYER'S REMEDY AGAINST BUNN FOR THE BREACH OF ANY OBLIGATION ARISING OUT OF THE SALE OF THIS EQUIPMENT, WHETHER DERIVED FROM WARRANTY OR OTHERWISE, SHALL BE LIMITED, AT BUNN'S SOLE OPTION AS SPECIFIED HEREIN, TO REPAIR, REPLACEMENT OR REFUND.**

In no event shall BUNN be liable for any other damage or loss, including, but not limited to, lost profits, lost sales, loss of use of equipment, claims of Buyer's customers, cost of capital, cost of down time, cost of substitute equipment, facilities or services, or any other special, incidental or consequential damages.

**TABLE OF CONTENTS**

Electrical and Operating Controls ..... 16

Faucet ..... 14

Funnel Assembly ..... 18

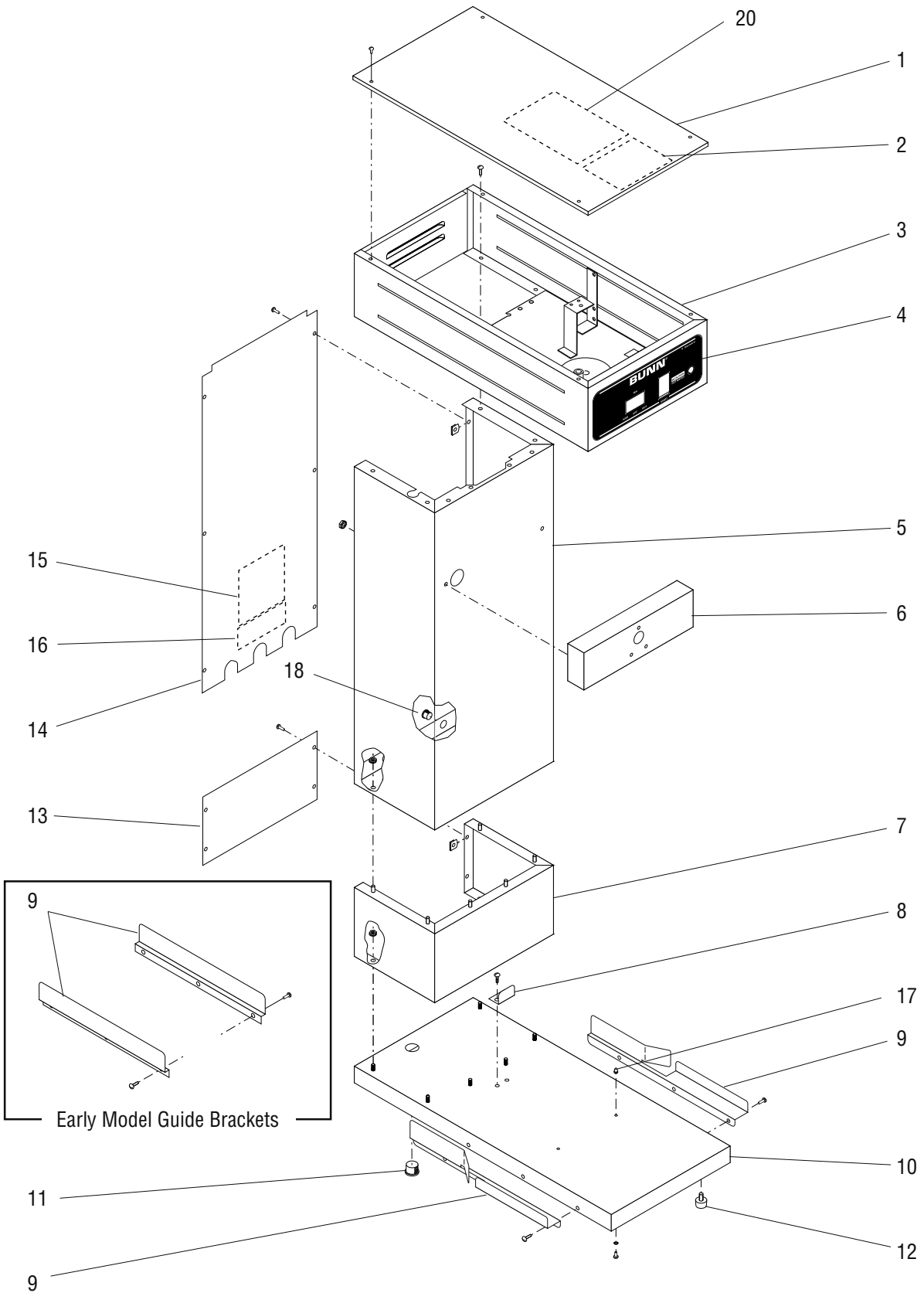
Numerical Index ..... 20

Strainer/Flow Control, Solenoids and Lines ..... 10

Tank Assembly (Without Faucet) ..... 6

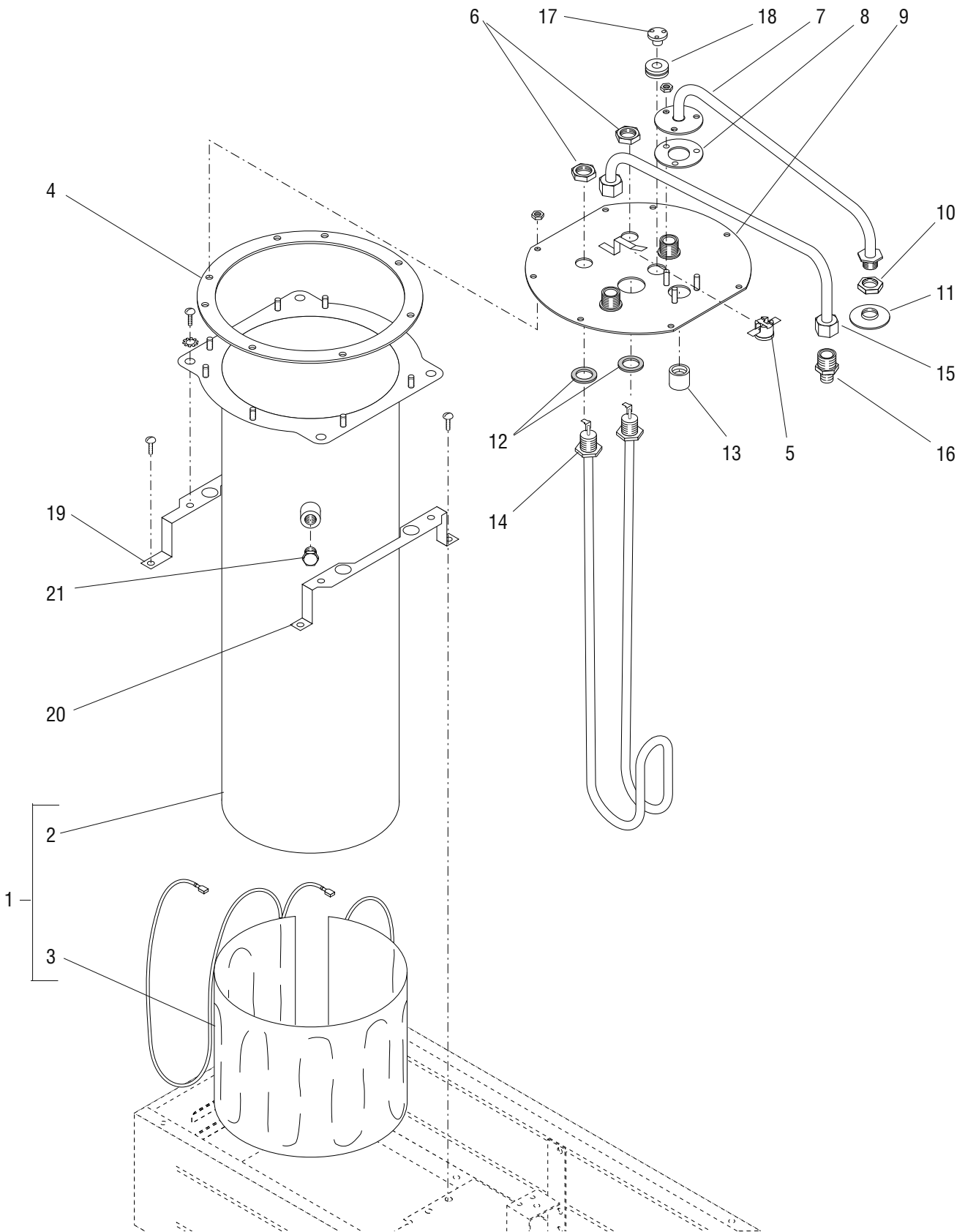
Tank Assembly (With Faucet) ..... 8

Top Cover, Hood, Trunk, Base and Panels ..... 4



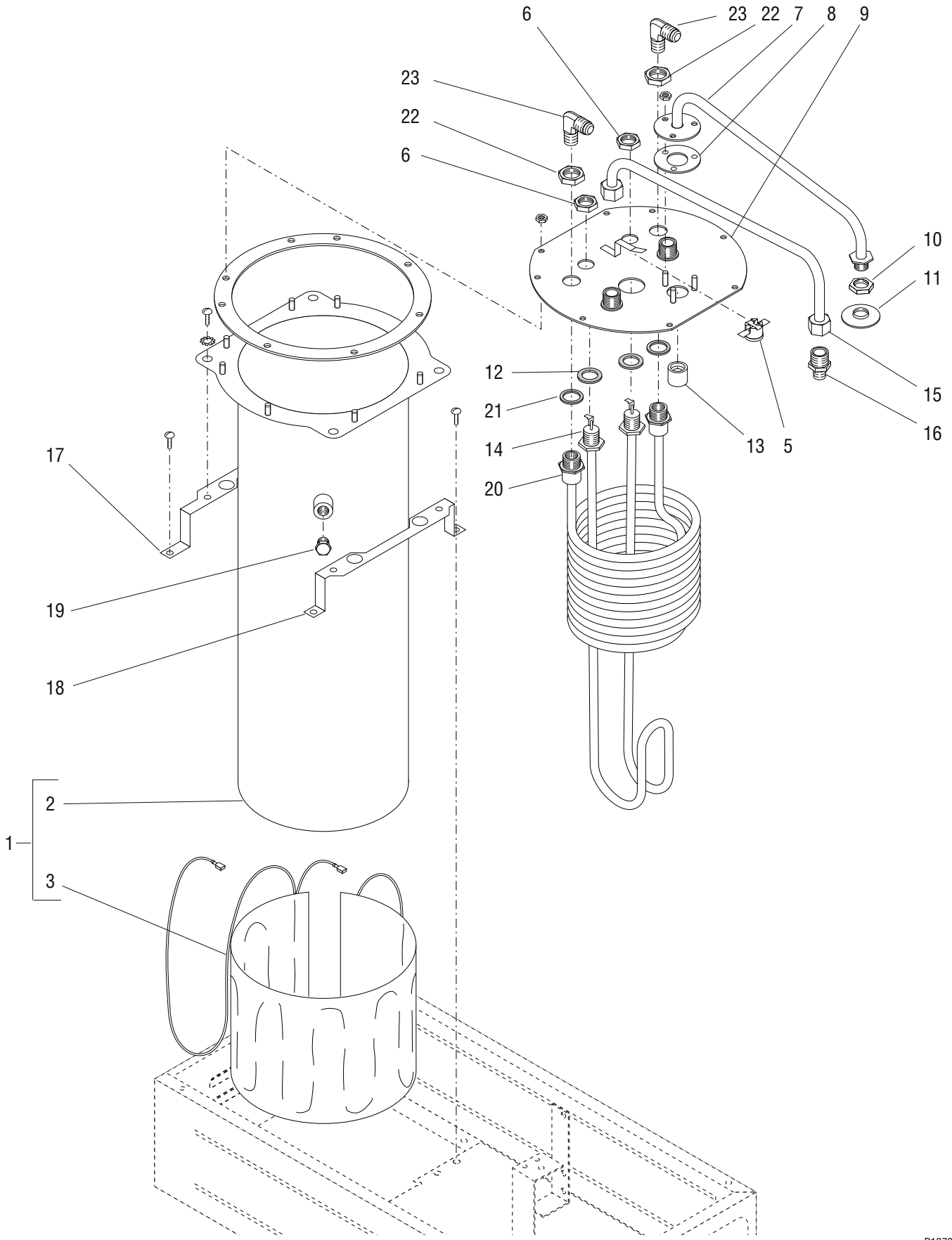
## TOP COVER, HOOD, TRUNK, BASE AND PANELS

| ITEM | PART NO.   | QTY. | DESCRIPTION                                    |
|------|------------|------|--|
| 1    | 03423.0000 | 1    | Cover, Top (Also order item 2)                 |
|      | 01382.0000 | 4    | Screw, Truss Head #6-32 x .375"                |
| 2    | 10502.0002 | 1    | Schematic, Electrical 120V                     |
| 3    | 03381.0003 | 1    | Hood (Also order item 4)                       |
|      | 02308.0000 | 6    | Screw, Pan Head - Serrated #8-32 x .375"       |
| 4    | 28197.0000 | 1    | Decal, Hood-Switch (Brewers W/Faucet)          |
|      | 28197.0001 | 1    | Decal, Hood-Switch (Brewers W/Out Faucet)      |
| 5    | 03762.0003 | 1    | Trunk Assy                                     |
|      | 00970.0000 | 6    | Nut, Hex Keps #8-32                            |
| 6    | 03773.0000 | 1    | Housing, Nozzle Mounting                       |
|      | 00970.0000 | 2    | Nut, Hex Keps #8-32                            |
| 7    | 03765.0005 | 1    | Housing Assy, Trunk Extension 4.64" HT         |
|      | 00970.0000 | 6    | Nut, Hex Keps #8-32                            |
| 8    | 03770.0000 | 1    | Bracket, Stop                                  |
|      | 01315.0000 | 2    | Screw, Truss Head #8-32 x .375"                |
| 9    | 03772.0000 | 2    | Guide, Base (Early models)                     |
|      | 32035.0000 | 1    | Guide, Base (Left side)                        |
|      | 32035.0001 | 1    | Guide, Base (Right side)                       |
|      | 01315.0000 | 6    | Screw, Truss Head #8-32 x .375"                |
| 10   | 03767.0002 | 1    | Base   |
| 11   | 00668.0000 | 1    | Plug, Hole .75" Dia                            |
| 12   | 25137.0001 | 4    | Foot .75" O.D. x .48" HT (See item 19)         |
| 13   | 03771.0004 | 1    | Cover, Trunk Extension - Rear 4.64" HT         |
|      | 01315.0000 | 4    | Screw, Truss Head #8-32 x .375"                |
|      | 00917.0000 | 4    | Fastener, J-Type #8-32                         |
| 14   | 22297.0001 | 1    | Panel W/Decals, Trunk (Includes items 15 & 16) |
|      | 01315.0000 | 6    | Screw, Truss Head #8-32 x .375"                |
|      | 00917.0000 | 6    | Fastener, J-Type #8-32                         |
| 15   | 00831.0000 | 1    | Decal, Electrical Warning                      |
| 16   | 00656.0000 | 1    | Decal, Comply With Plumbing Code               |
| 17   | 02319.0000 | 2    | Nut, Acorn #6-32                               |
|      | 01510.0000 | 2    | Lockwasher, External Tooth #6                  |
|      | 01308.0000 | 2    | Screw, Truss Head #6-32 x .25"                 |
| 18   | 00669.0003 | 1    | Plug, Hole .437" Dia (Brewers W/Out Faucet)    |
| 19   | 24600.0000 | -    | Kit, Foot (Includes four feet)                 |
| 20   | 32540.0000 | 1    | Decal, Batch Set (Digital Timer)(Late Models)  |



## TANK ASSEMBLY W/OUT FAUCET

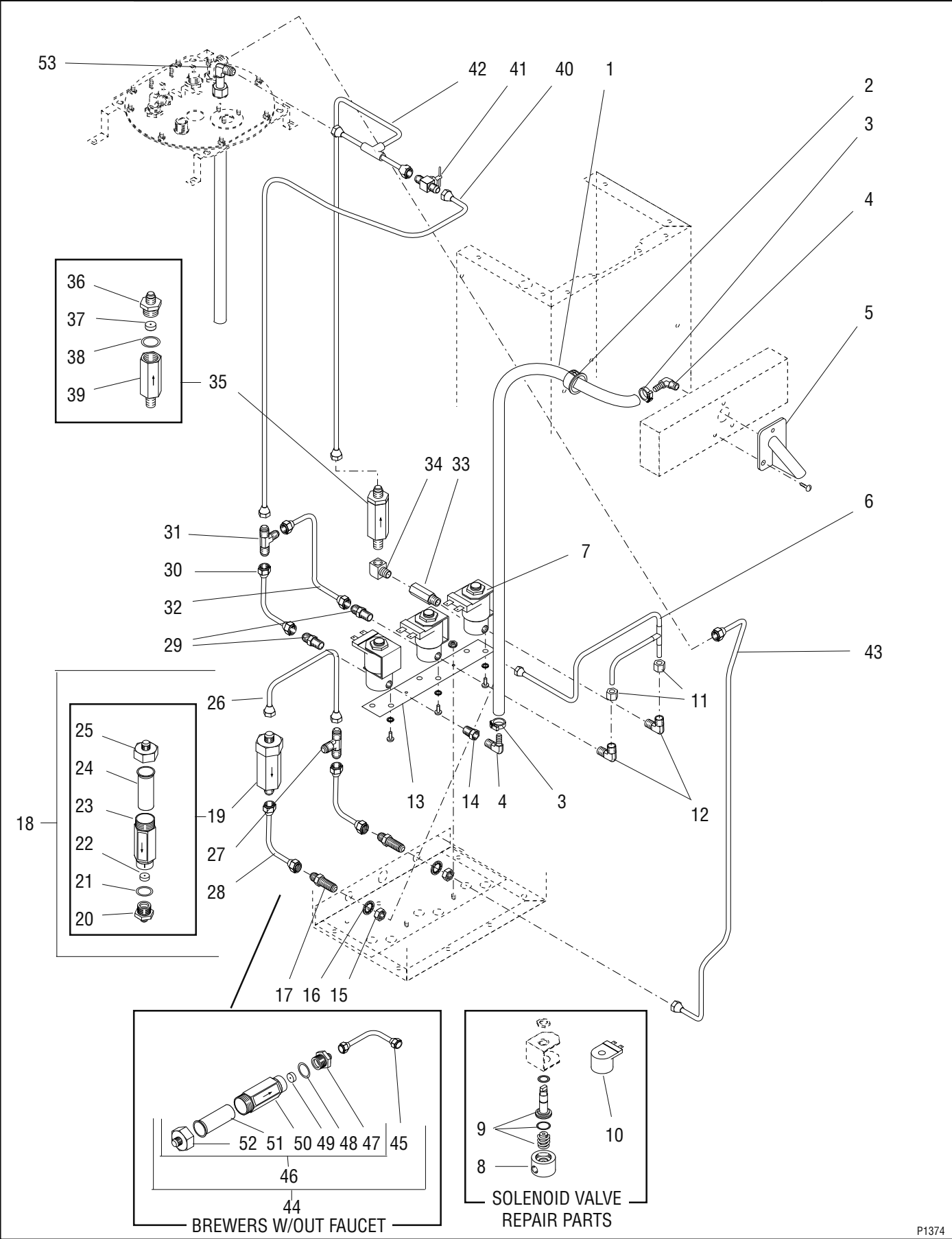
| ITEM | PART NO.   | QTY. | DESCRIPTION   |
|------|------------|------|---|
| 1    | 20842.0000 | 1    | Tank W/Blanket Warmer 120V (Includes items 2, 3 & 21)             |
|      | 01315.0000 | 4    | Screw, Truss Head #8-32 x .375"                                   |
|      | 01512.0000 | 4    | Lockwasher, External Tooth #10                                    |
| 2    | 20201.3000 | 1    | Tank  |
| 3    | 04260.0000 | 1    | Blanket Warmer, 50W 120V  |
| 4    | 04221.0000 | 1    | Gasket, Tank Lid  |
| 5    | 29329.1000 | 1    | Thermostat, Limit 30 amp  |
| 6    | 00942.0000 | 2    | Nut, Hex .50"-20  |
| 7    | 20544.0000 | 1    | Sprayhead Tube Kit (Includes 3 mounting nuts below, items 8 & 13) |
|      | 00908.0000 | 3    | Nut, Hex #8-32  |
| 8    | 05515.0000 | 1    | Gasket, Sprayhead Tube  |
| 9    | 20201.3102 | 1    | Lid Assembly, Tank  |
|      | 00908.0000 | 8    | Nut, Hex #8-32  |
| 10   | 01075.0000 | 1    | Nut, Hex .438"-20   |
| 11   | 01082.0000 | 1    | Sprayhead, 6 Hole   |
| 12   | 00943.0000 | 2    | Gasket, Tank Heater   |
| 13   | 05518.0000 | 1    | Syphon Hub  |
| 14   | 03070.1000 | 1    | Tank Heater, 1680W 120V (Includes Item 12)                        |
| 15   | 20262.0000 | 1    | Tube Assembly, Vent   |
| 16   | 00406.0001 | 1    | Fitting .375" Tube x .125" MPT                                    |
| 17   | 01425.0000 | 1    | Pin .375" Dia x .50"  |
| 18   | 02536.0000 | 1    | Grommet .375" I.D.  |
| 19   | 20254.0001 | 1    | Bracket, Tank Mounting - Rear                                     |
|      | 02308.0000 | 2    | Screw, Pan Head - Serrated #8-32 x .375"                          |
| 20   | 20254.0000 | 1    | Bracket, Tank Mounting - Front                                    |
|      | 02308.0000 | 2    | Screw, Pan Head - Serrated #8-32 x .375"                          |
| 21   | 20201.6001 | 1    | Plug, Hex Head .25" NPT   |





## TANK ASSEMBLY W/FAUCET

| ITEM | PART NO.   | QTY. | DESCRIPTION   |
|------|------------|------|---|
| 1    | 20842.0000 | 1    | Tank W/Blanket Warmer 120V (Includes items 2, 3 & 19)             |
|      | 01315.0000 | 4    | Screw, Truss Head #8-32 x .375"                                   |
|      | 01512.0000 | 4    | Lockwasher, External Tooth #10                                    |
| 2    | 20201.3000 | 1    | Tank  |
| 3    | 04260.0000 | 1    | Blanket Warmer, 50W 120V  |
| 4    | 04221.0000 | 1    | Gasket, Tank Lid  |
| 5    | 29329.1000 | 1    | Thermostat, Limit 30 amp  |
| 6    | 00942.0000 | 2    | Nut, Hex .50"-20  |
| 7    | 20544.0000 | 1    | Sprayhead Tube Kit (Includes 3 mounting nuts below, items 8 & 13) |
|      | 00908.0000 | 3    | Nut, Hex #8-32  |
| 8    | 05515.0000 | 1    | Gasket, Sprayhead Tube  |
| 9    | 20201.3103 | 1    | Lid Assembly, Tank  |
|      | 00908.0000 | 8    | Nut, Hex #8-32  |
| 10   | 01075.0000 | 1    | Nut, Hex .438"-20   |
| 11   | 01082.0000 | 1    | Sprayhead, 6 Hole   |
| 12   | 00943.0000 | 2    | Gasket, Tank Heater   |
| 13   | 05518.0000 | 1    | Syphon Hub  |
| 14   | 03070.1000 | 1    | Tank Heater, 1680W 120V (Includes Item 12)                        |
| 15   | 20262.0000 | 1    | Tube Assembly, Vent   |
| 16   | 00406.0001 | 1    | Fitting .375" Tube x .125" MPT                                    |
| 17   | 20254.0001 | 1    | Bracket, Tank Mounting - Rear                                     |
|      | 02308.0000 | 2    | Screw, Pan Head - Serrated #8-32 x .375"                          |
| 18   | 20254.0000 | 1    | Bracket, Tank Mounting - Front                                    |
|      | 02308.0000 | 2    | Screw, Pan Head - Serrated #8-32 x .375"                          |
| 19   | 20201.6001 | 1    | Plug, Hex Head .25" NPT   |
| 20   | 12689.1000 | 1    | Coil Assembly, Hot Water (Includes item 21)                       |
| 21   | 12688.0000 | 2    | Gasket, Hot Water Coil  |
| 22   | 12687.0000 | 2    | Nut, Hex - Brass .562"-24   |
| 23   | 00400.0001 | 2    | Elbow, Male .25" Flare x .125" MPT                                |



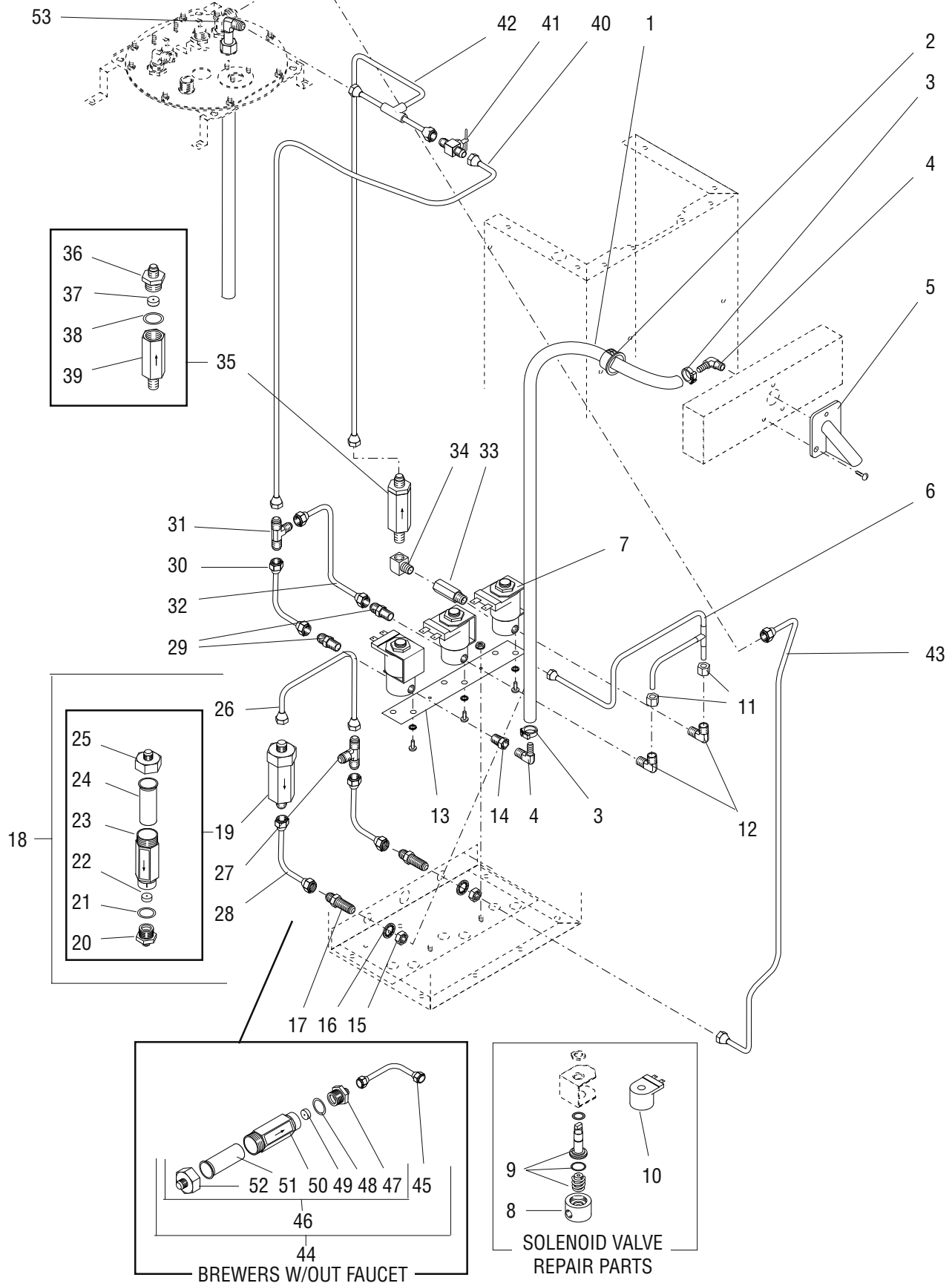
## STRAINER/FLOW CONTROL, SOLENOIDS AND LINES

| ITEM | PART NO.   | QTY. | DESCRIPTION  |
|------|------------|------|--|
| 1    | -----      | 1    | Tube, Silicone .250" I.D. x 21" LG (Order item 54)   |
| 2    | 01592.0000 | 1    | Bushing, Snap 1" Dia Hole  |
| 3    | 12422.0000 | 2    | Clamp, Hose - Snap Type .47"/.54" I.D.   |
| 4    | 00464.0001 | 2    | Elbow, .250" Barb x .125" MPT  |
| 5    | 03717.0000 | 1    | Nozzle, Dilution   |
|      | 01382.0000 | 3    | Screw, Truss Head Serrated #6-32 x .375"   |
| 6    | 25523.0000 | 1    | Tube Assembly, Solenoids to Bulkhead (Includes items 11)                                   |
| 7    | 01085.0000 | 3    | Solenoid Valve, 120V   |
|      | 01327.0000 | 6    | Screw, Pan Head #10-32 x .375"   |
|      | 01502.0000 | 6    | Lockwasher, Split #10  |
| 8    | 01079.0000 | 1    | Base, Solenoid Valve   |
| 9    | 01111.0000 | 1    | Solenoid Valve Repair Kit (Includes Plunger, Seal and Spring)                              |
| 10   | 01101.0000 | 1    | Coil, Solenoid Valve 120V  |
| 11   | 00443.0001 | 2    | Nut/Sleeve .250" Tube  |
| 12   | 00465.0001 | 2    | Elbow Assembly .125" MPT x .250" Tube (Includes item 11)                                   |
| 13   | 03170.0000 | 1    | Plate, Solenoid Valve Mounting   |
|      | 00970.0000 | 2    | Nut, Keps #8-32  |
| 14   | 00430.0001 | 1    | Adapter, .125 NPT Male & Female  |
| 15   | 00463.0000 | 2    | Nut, Hex - Brass .438"-20  |
| 16   | 01532.0000 | 2    | Lockwasher, Internal Tooth .438"   |
| 17   | 00459.0000 | 2    | Fitting, Bulkhead .250" Flare  |
| 18   | 24368.0000 | 1    | Strainer/Flow Control W/Tubing, .750 GPM (Includes items 19 thru 28)(Brewers W/<br>Faucet) |
| 19   | 22300.0750 | 1    | Strainer/Flow Control, .750 GPM (Includes item 20 thru 25)                                 |
| 20   | 01154.0000 | 1    | Fitting, Flow Control Outlet   |
| 21   | 01155.0000 | 1    | Gasket, Flow Control   |
| 22   | 20526.1750 | 1    | Flow Washer/Gasket Kit (.750 GPM) (Includes item 21)                                       |
| 23   | -----      | 1    | Body (Not Available. Order item 19)  |
| 24   | 23721.0000 | 1    | Screen   |
| 25   | 22249.0000 | 1    | Fitting, Flow Control Inlet  |
| 26   | 26280.0000 | 1    | Tube Assembly, Tee to Strainer/Flow Control  |
| 27   | 20577.0000 | 1    | Tee .250" Flare  |
| 28   | 21814.0016 | 2    | Tube Assembly, Bulkhead  |

} One Less  
Used on  
Brewers W/  
Out Faucet

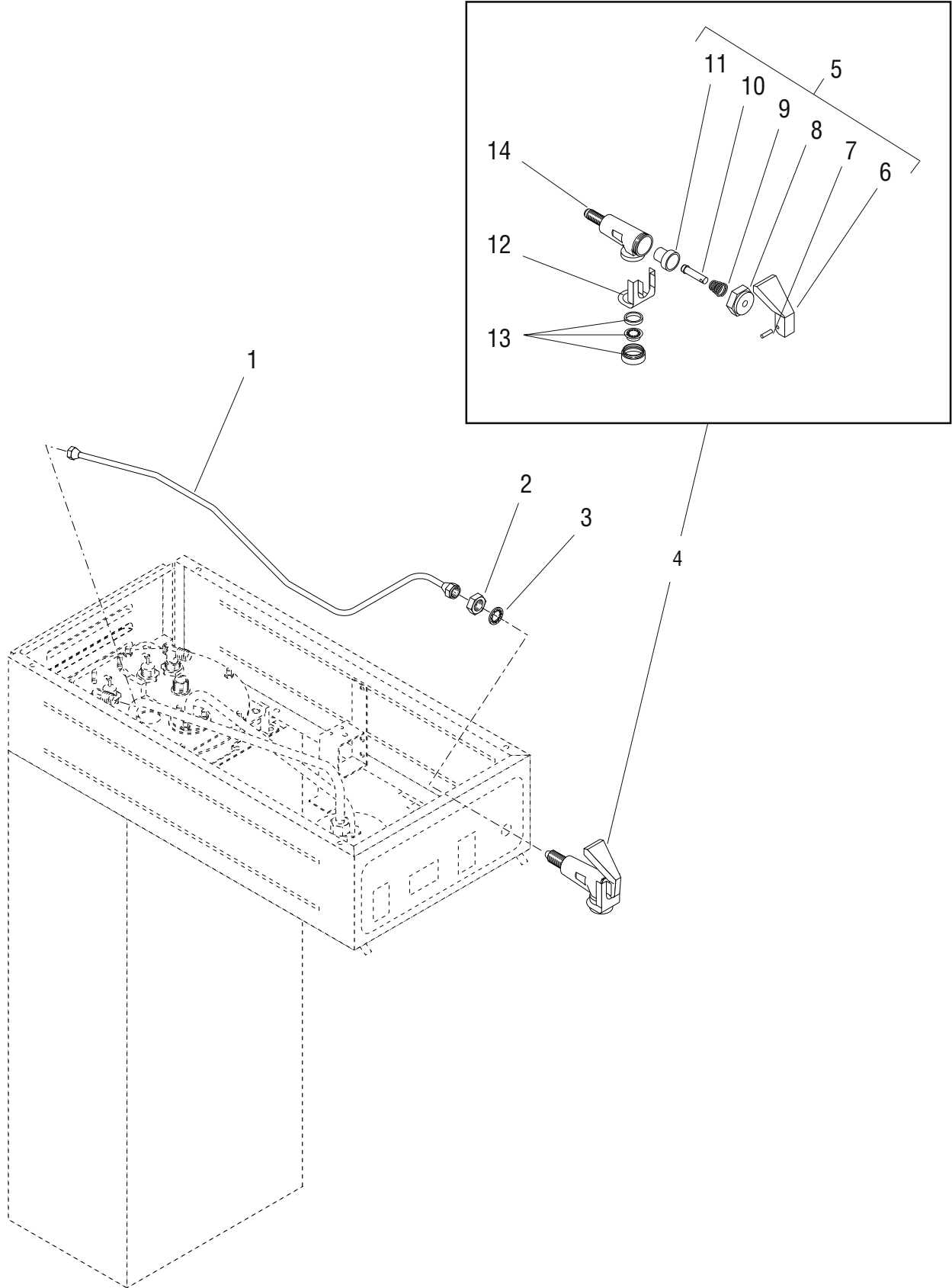
(Continued)

(Continued)



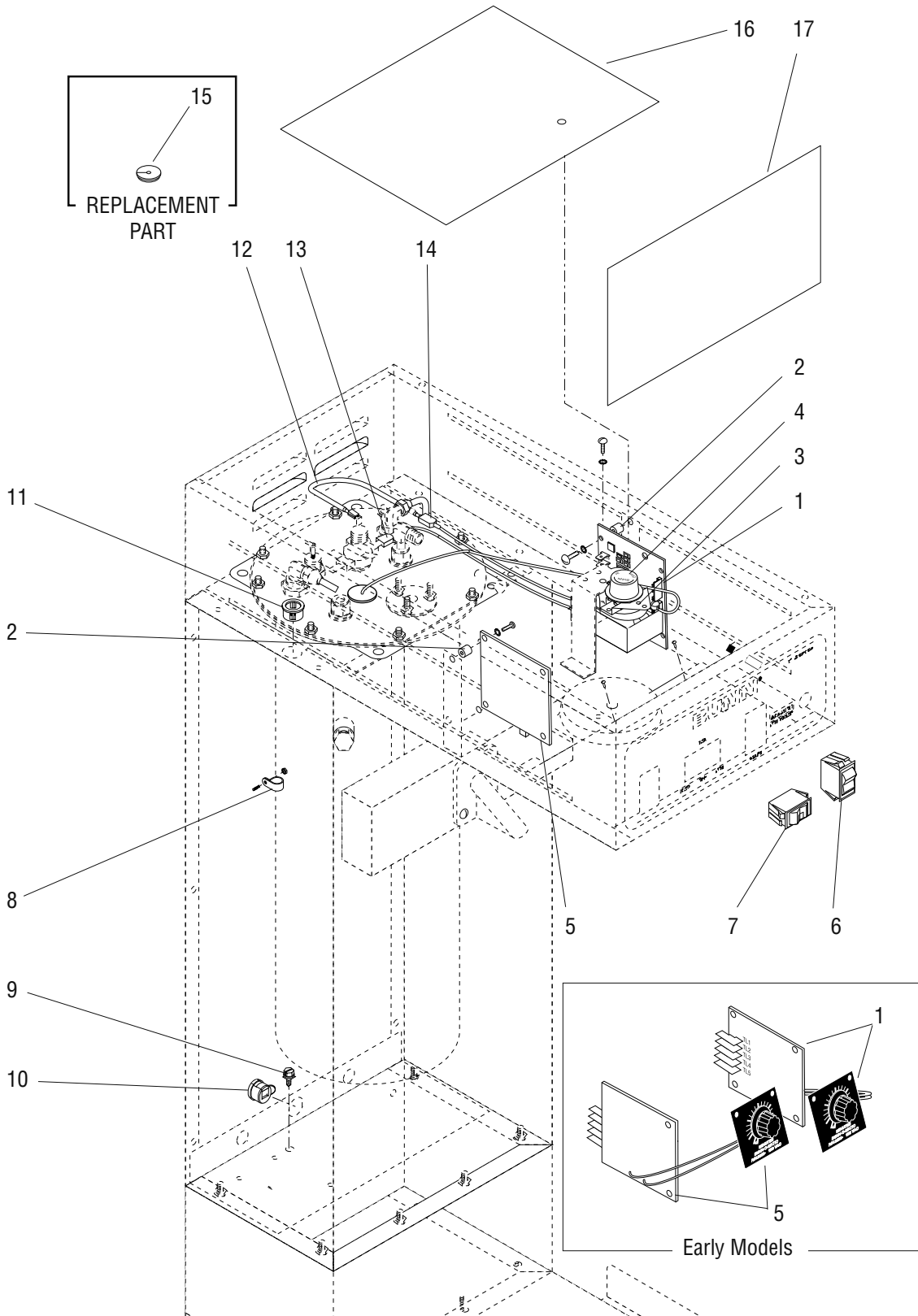
## STRAINER/FLOW CONTROL, SOLENOIDS AND LINES

| ITEM | PART NO.   | QTY. | DESCRIPTION   |
|------|------------|------|---|
| 29   | 00402.0001 | 3    | Connector .25" Male Flare x .125" MPT                                       |
| 30   | 00310.0006 | 1    | Tube Assembly, Dilution to Tee  |
| 31   | 20577.0001 | 1    | Tee .250" Flare   |
| 32   | 20628.0001 | 1    | Tube Assembly, Tee to Iced Tea Brew Solenoid                                |
| 33   | 00458.0001 | 1    | Adapter .125" MPT x .125" FPT   |
| 34   | 00432.0001 | 1    | Elbow .125" NPT Male & Female   |
| 35   | 20528.1222 | 1    | Flow Control Assembly (.222 GPM) (Includes items 36 thru 39)                |
| 36   | 01154.0001 | 1    | Fitting, Flow Control Outlet  |
| 37   | 20526.1222 | 1    | Flow Washer/Gasket Kit (.222 GPM) (Includes item 38)                        |
| 38   | 01155.0000 | 1    | Gasket, Flow Control  |
| 39   | -----      | 1    | Body, Flow Control (Not Available. Order item 35)                           |
| 40   | 20260.0000 | 1    | Tube Assembly, Tee to Needle Valve  |
| 41   | 00484.0001 | 1    | Valve, Needle .250" Flare   |
| 42   | 20257.0000 | 1    | Tube Assembly, Flow Control to Tank   |
| 43   | 20256.0000 | 1    | Tube Assembly, Bulkhead to Coil (Brewers W/Faucet)                          |
| 44   | 24356.0750 | 1    | Strainer/Flow Control W/Tube (Includes items 45 & 46)(Brewers W/Out Faucet) |
| 45   | 00310.0000 | 1    | Tube Assembly, Strainer/Flow Control to Bulkhead                            |
| 46   | 22300.0750 | 1    | Strainer/Flow Control (Includes Items 47 thru 52)                           |
| 47   | 01154.0000 | 1    | Fitting, Flow Control Outlet  |
| 48   | 01155.0000 | 1    | Gasket, Flow Control  |
| 49   | 20526.1750 | 1    | Flow Washer/Gasket Kit, .750 GPM (Includes item 48)                         |
| 50   | -----      | 1    | Body (Not Available. Order item 46)   |
| 51   | 23721.0000 | 1    | Screen  |
| 52   | 22249.0000 | 1    | Fitting, Flow Control Inlet   |
| 53   | 13085.0002 | 1    | Tube Assembly, Tank Fill  |
| 54   | 11707.1001 | -    | Tube, Silicone .250" I.D. x .50" O.D. x 36" LG                              |
|      | 11707.1002 | -    | Tube, Silicone .250" I.D. x .50" O.D. x 120" LG                             |



## FAUCET

| ITEM | PART NO.   | QTY. | DESCRIPTION  |
|------|------------|------|--|
| 1    | 20274.0000 | 1    | Tube Assy, Coil to Faucet                          |
| 2    | 13059.0000 | 1    | Faucet Jam Nut                                     |
| 3    | 01532.0000 | 1    | Lockwasher, Internal Tooth .438" I.D.              |
| 4    | 12915.0000 | 1    | Faucet, Hot Water (Includes items 5 thru 14)       |
| 5    | 13061.0000 | 1    | Faucet Handle/Stem Assy (Includes items 6 thru 11) |
| 6    | 13053.0000 | 1    | Faucet Handle/Pin Kit (Includes item 7)            |
| 7    | 02858.0000 | 1    | Pin, Spring .125" Dia. x .50"                      |
| 8    | 13060.0000 | 1    | Faucet Bonnet Nut                                  |
| 9    | 13055.0000 | 1    | Faucet Spring                                      |
| 10   | 13054.0000 | 1    | Faucet Stem  |
| 11   | 13056.0000 | 1    | Faucet Seat Cup                                    |
| 12   | 13057.0000 | 1    | Faucet Safety Clip                                 |
| 13   | 13058.0000 | 1    | Faucet Aerator Kit                                 |
| 14   | -----      | 1    | Body, Faucet (Not available order item 4)          |

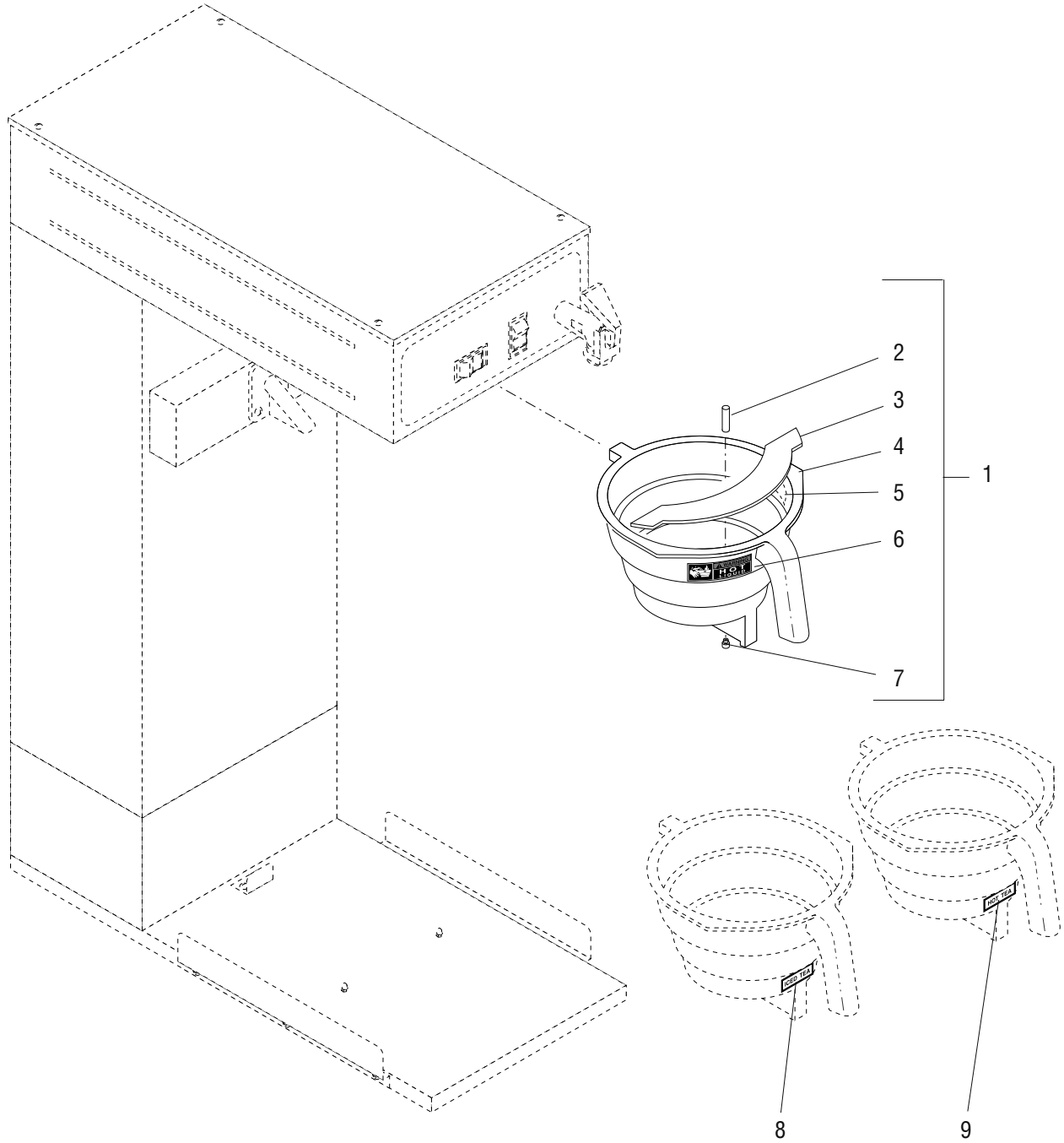




## ELECTRICAL AND OPERATING CONTROLS

| ITEM | PART NO.   | QTY. | DESCRIPTION  |
|------|------------|------|--|
| 1    | -----      | 1    | Timer, 5 Min - 120V (Hot Tea)(Early Models)  |
|      | 32400.0002 | 1    | Digital Timer - 120V   |
|      | 01388.0000 | 2    | Screw, Truss Head #6-32 x .75"   |
|      | 01347.0000 | 2    | Screw, Truss Head Serrated #6-32 x .375"   |
|      | 01510.0000 | 2    | Lockwasher, External Tooth #6  |
|      | 12919.0008 | 1    | Cap, Terminal (Not Illustrated)  |
| 2    | 01533.0000 | 4    | Spacer .171" I.D. x .375" O.D. x .375" LG  |
| 3    | 03024.0005 | 1    | Thermostat Assembly (Includes item 4)  |
|      | 01310.0000 | 1    | Screw, Pan Head #6-32 x .25" (Mounting)  |
|      | 20762.0000 | 2    | Screw, Binding Head #8-32 x .25" (Terminal)  |
|      | 01510.0000 | 1    | Lockwasher, External Tooth #6  |
| 4    | 00720.0000 | 1    | Knob, Thermostat   |
| 5    | -----      | 1    | Timer, 8 Min - 120V (Iced Tea)(Early Models)   |
|      | 32400.0002 | 1    | Digital Timer - 120V   |
|      | 01388.0000 | 2    | Screw, Truss Head #6-32 x .75"   |
|      | 01347.0000 | 2    | Screw, Truss Head Serrated #6-32 x .375"   |
|      | 01510.0000 | 2    | Lockwasher, External Tooth #6  |
| 6    | 11633.0000 | 1    | Switch, Start  |
| 7    | 20234.0000 | 1    | Switch, ON/OFF/ON 120V   |
| 8    | 00603.0000 | 1    | Clamp, Cable   |
|      | 00970.0000 | 1    | Nut, Keps #8-32  |
| 9    | 01309.0000 | 1    | Screw, Power Cord Ground - Pan Head W/Washer #10-32 x .50"                           |
| 10   | 00707.0000 | 1    | Bushing, Strain Relief   |
| 11   | 00614.0000 | 1    | Bushing .469" I.D.   |
| 12   | 20211.0100 | 1    | Thermal Fuse, Tank Heater to BLK Lead from Thermostat (Brewers W/Faucet)             |
| 13   | 21016.0001 | 1    | Lead, Limit Thermostat to Control Thermostat - BLU/BLK 16AWG 11.0" LG                |
| 14   | 21016.0000 | 1    | Lead, Thermal Fuse to Control Thermostat - BLK 16AWG 6.50" LG (Brewers W/<br>Faucet) |
|      | 21016.0002 | 1    | Lead, Tank Heater to Control Thermostat - BLK 16AWG 15" LG (Brewers W/Out<br>Faucet) |
| 15   | 07073.0000 | 1    | Grommet, Thermostat  |
| 16   | 00636.0000 | 1    | Shield, Polyester - Timer Boards   |
| 17   | 00637.0000 | 1    | Shield, Polyester - Switch Terminals   |
| 18   | 01637.0000 | 1    | Cord, Power 120V   |
| 19   | 21000.0019 | 1    | Lead, Warmer Blanket to Main Harness 18AWG BLK 5.0" LG                               |
|      | 21001.0016 | 1    | Lead, Warmer Blanket to Main Harness 18AWG WHI 5.0" LG                               |
| 20   | 20272.0000 | 1    | Wiring Harness, Main 120V  |
| 21   | 00617.0000 | 2    | Tie, Cable   |

} Not Illustrated



## FUNNEL ASSEMBLY

| ITEM | PART NO.   | QTY. | DESCRIPTION  |
|------|------------|------|--|
| 1    | 03021.0004 | 2    | Funnel Assembly, Smoke (Includes items 2 thru7)(Also order items 8 or 9) |
| 2    | 03284.0000 | 1    | Adapter W/Screen, Funnel (See item 10)                                   |
| 3    | 32965.0000 | 1    | Splashguard  |
| 4    | -----      | 1    | Funnel, Brew Tea - Smoke (Not Available. Order item 1)                   |
| 5    | 03408.0000 | 1    | Decal, Caution - Remove Funnel   |
| 6    | 03409.0000 | 1    | Decal, Caution - Hot Liquid  |
| 7    | 03407.0000 | 1    | Funnel Tip, .082" Dia. (See item 10)                                     |
| 8    | 28198.0000 | 1    | Decal, Iced Tea  |
| 9    | 28199.0000 | 1    | Decal, Hot Tea   |
| 10   | 01037.0002 | -    | Funnel Tip & Screen Kit (Includes items 2 & 7)                           |

NUMERICAL INDEX

| PART NO.   | PAGE NO. | PART NO.   | PAGE NO. | PART NO.   | PAGE NO. | PART NO. | PAGE NO. |
|------------|----------|------------|----------|------------|----------|----------|----------|
| 00310.0000 | 13       | 01637.0000 | 17       | 20254.0001 | 7,9      |          |          |
| 00310.0006 | 13       | 02308.0000 | 5,7,9    | 20256.0000 | 13       |          |          |
| 00400.0001 | 9        | 02319.0000 | 5        | 20257.0000 | 13       |          |          |
| 00402.0001 | 13       | 02536.0000 | 7        | 20260.0000 | 13       |          |          |
| 00406.0001 | 7,9      | 02858.0000 | 15       | 20262.0000 | 7,9      |          |          |
| 00430.0001 | 11       | 03021.0004 | 19       | 20272.0000 | 17       |          |          |
| 00432.0001 | 13       | 03024.0005 | 17       | 20274.0000 | 15       |          |          |
| 00443.0001 | 11       | 03070.1000 | 7,9      | 20526.1222 | 13       |          |          |
| 00458.0001 | 13       | 03170.0000 | 11       | 20526.1750 | 11,13    |          |          |
| 00459.0000 | 11       | 03284.0000 | 19       | 20528.1222 | 13       |          |          |
| 00463.0000 | 11       | 03381.0003 | 5        | 20544.0000 | 7,9      |          |          |
| 00464.0001 | 11       | 03407.0000 | 19       | 20577.0000 | 11       |          |          |
| 00465.0001 | 11       | 03408.0000 | 19       | 20577.0001 | 13       |          |          |
| 00484.0001 | 13       | 03409.0000 | 19       | 20628.0001 | 13       |          |          |
| 00603.0000 | 17       | 03423.0000 | 5        | 20762.0000 | 17       |          |          |
| 00614.0000 | 17       | 03717.0000 | 11       | 20842.0000 | 7,9      |          |          |
| 00617.0000 | 17       | 03762.0003 | 5        | 21000.0019 | 17       |          |          |
| 00636.0000 | 17       | 03765.0005 | 5        | 21001.0016 | 17       |          |          |
| 00637.0000 | 17       | 03767.0002 | 5        | 21016.0000 | 17       |          |          |
| 00656.0000 | 5        | 03770.0000 | 5        | 21016.0001 | 17       |          |          |
| 00668.0000 | 5        | 03771.0004 | 5        | 21016.0002 | 17       |          |          |
| 00669.0003 | 5        | 03772.0000 | 5        | 21814.0016 | 11       |          |          |
| 00707.0000 | 17       | 03773.0000 | 5        | 22249.0000 | 11,13    |          |          |
| 00720.0000 | 17       | 04221.0000 | 7,9      | 22297.0001 | 5        |          |          |
| 00831.0000 | 5        | 04260.0000 | 7,9      | 22300.0750 | 11,13    |          |          |
| 00908.0000 | 7,9      | 05515.0000 | 7,9      | 23721.0000 | 11,13    |          |          |
| 00917.0000 | 5        | 05518.0000 | 7,9      | 24356.0750 | 13       |          |          |
| 00942.0000 | 7,9      | 07073.0000 | 17       | 24368.0000 | 11       |          |          |
| 00943.0000 | 7,9      | 10502.0002 | 5        | 24600.0000 | 5        |          |          |
| 00970.0000 | 5,11,17  | 11633.0000 | 17       | 25137.0001 | 5        |          |          |
| 01037.0002 | 19       | 11707.1001 | 13       | 25523.0000 | 11       |          |          |
| 01075.0000 | 7,9      | 11707.1002 | 13       | 26280.0000 | 11       |          |          |
| 01079.0000 | 11       | 12422.0000 | 11       | 28197.0000 | 5        |          |          |
| 01082.0000 | 7,9      | 12687.0000 | 9        | 28197.0001 | 5        |          |          |
| 01085.0000 | 11       | 12688.0000 | 9        | 28198.0000 | 19       |          |          |
| 01101.0000 | 11       | 12689.1000 | 9        | 28199.0000 | 19       |          |          |
| 01111.0000 | 11       | 12915.0000 | 15       | 29329.1000 | 7,9      |          |          |
| 01154.0000 | 11,13    | 12919.0008 | 17       | 32035.0000 | 5        |          |          |
| 01154.0001 | 13       | 13053.0000 | 15       | 32035.0001 | 5        |          |          |
| 01155.0000 | 11,13    | 13054.0000 | 15       | 32400.0002 | 17       |          |          |
| 01308.0000 | 5        | 13055.0000 | 15       | 32540.0000 | 5        |          |          |
| 01309.0000 | 17       | 13056.0000 | 15       | 32965.0000 | 19       |          |          |
| 01310.0000 | 17       | 13057.0000 | 15       |            |          |          |          |
| 01315.0000 | 5,7,9    | 13058.0000 | 15       |            |          |          |          |
| 01327.0000 | 11       | 13059.0000 | 15       |            |          |          |          |
| 01347.0000 | 17       | 13060.0000 | 15       |            |          |          |          |
| 01382.0000 | 5,11     | 13061.0000 | 15       |            |          |          |          |
| 01388.0000 | 17       | 13085.0002 | 13       |            |          |          |          |
| 01425.0000 | 7        | 20201.3000 | 7,9      |            |          |          |          |
| 01502.0000 | 11       | 20201.3102 | 7        |            |          |          |          |
| 01510.0000 | 5,17     | 20201.3103 | 9        |            |          |          |          |
| 01512.0000 | 7,9      | 20201.6001 | 7,9      |            |          |          |          |
| 01532.0000 | 11,15    | 20211.0100 | 17       |            |          |          |          |
| 01533.0000 | 17       | 20234.0000 | 17       |            |          |          |          |
| 01592.0000 | 11       | 20254.0000 | 7,9      |            |          |          |          |