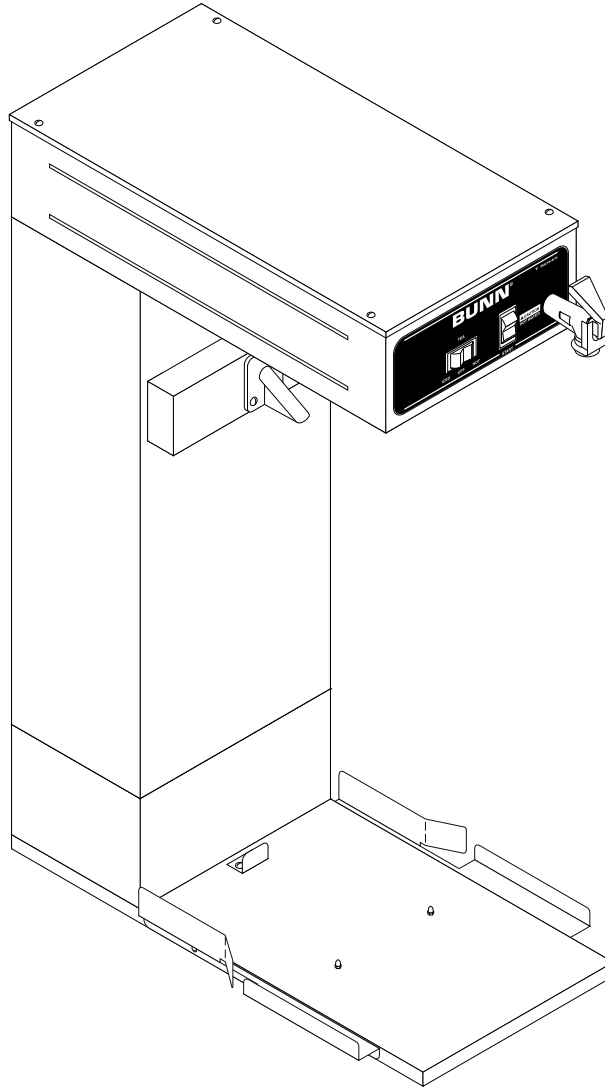


# **BUNN**®

# ***TNT-3*** ***TNTF-3***



## **ILLUSTRATED PARTS CATALOG**

Designs, materials, weights, specifications, and dimensions for equipment or replacement parts are subject to change without notice.

### **BUNN-O-MATIC CORPORATION**

**POST OFFICE BOX 3227**

**SPRINGFIELD, ILLINOIS 62708-3227**

**PHONE: (217) 529-6601 FAX: (217) 529-6644**

## **BUNN-O-MATIC COMMERCIAL PRODUCT WARRANTY**

Bunn-O-Matic Corp. ("BUNN") warrants equipment manufactured by it as follows:

- 1) All equipment other than as specified below: 2 years parts and 1 year labor.
- 2) Electronic circuit and/or control boards: parts and labor for 3 years.
- 3) Compressors on refrigeration equipment: 5 years parts and 1 year labor.
- 4) Grinding burrs on coffee grinding equipment to grind coffee to meet original factory screen sieve analysis: parts and labor for 3 years or 30,000 pounds of coffee, whichever comes first.

These warranty periods run from the date of installation BUNN warrants that the equipment manufactured by it will be commercially free of defects in material and workmanship existing at the time of manufacture and appearing within the applicable warranty period. This warranty does not apply to any equipment, component or part that was not manufactured by BUNN or that, in BUNN's judgment, has been affected by misuse, neglect, alteration, improper installation or operation, improper maintenance or repair, damage or casualty. This warranty is conditioned on the Buyer 1) giving BUNN prompt notice of any claim to be made under this warranty by telephone at (217) 529-6601 or by writing to Post Office Box 3227, Springfield, Illinois 62708-3227; 2) if requested by BUNN, shipping the defective equipment prepaid to an authorized BUNN service location; and 3) receiving prior authorization from BUNN that the defective equipment is under warranty.

**THE FOREGOING WARRANTY IS EXCLUSIVE AND IS IN LIEU OF ANY OTHER WARRANTY, WRITTEN OR ORAL, EXPRESS OR IMPLIED, INCLUDING, BUT NOT LIMITED TO, ANY IMPLIED WARRANTY OF EITHER MERCHANTABILITY OR FITNESS FOR A PARTICULAR PURPOSE.** The agents, dealers or employees of BUNN are not authorized to make modifications to this warranty or to make additional warranties that are binding on BUNN. Accordingly, statements by such individuals, whether oral or written, do not constitute warranties and should not be relied upon.

If BUNN determines in its sole discretion that the equipment does not conform to the warranty, BUNN, at its exclusive option while the equipment is under warranty, shall either 1) provide at no charge replacement parts and/or labor (during the applicable parts and labor warranty periods specified above) to repair the defective components, provided that this repair is done by a BUNN Authorized Service Representative; or 2) shall replace the equipment or refund the purchase price for the equipment.

**THE BUYER'S REMEDY AGAINST BUNN FOR THE BREACH OF ANY OBLIGATION ARISING OUT OF THE SALE OF THIS EQUIPMENT, WHETHER DERIVED FROM WARRANTY OR OTHERWISE, SHALL BE LIMITED, AT BUNN'S SOLE OPTION AS SPECIFIED HEREIN, TO REPAIR, REPLACEMENT OR REFUND.**

In no event shall BUNN be liable for any other damage or loss, including, but not limited to, lost profits, lost sales, loss of use of equipment, claims of Buyer's customers, cost of capital, cost of down time, cost of substitute equipment, facilities or services, or any other special, incidental or consequential damages.

**TABLE OF CONTENTS**

Electrical and Operating Controls ..... 16

Faucet ..... 14

Funnel Assembly ..... 18

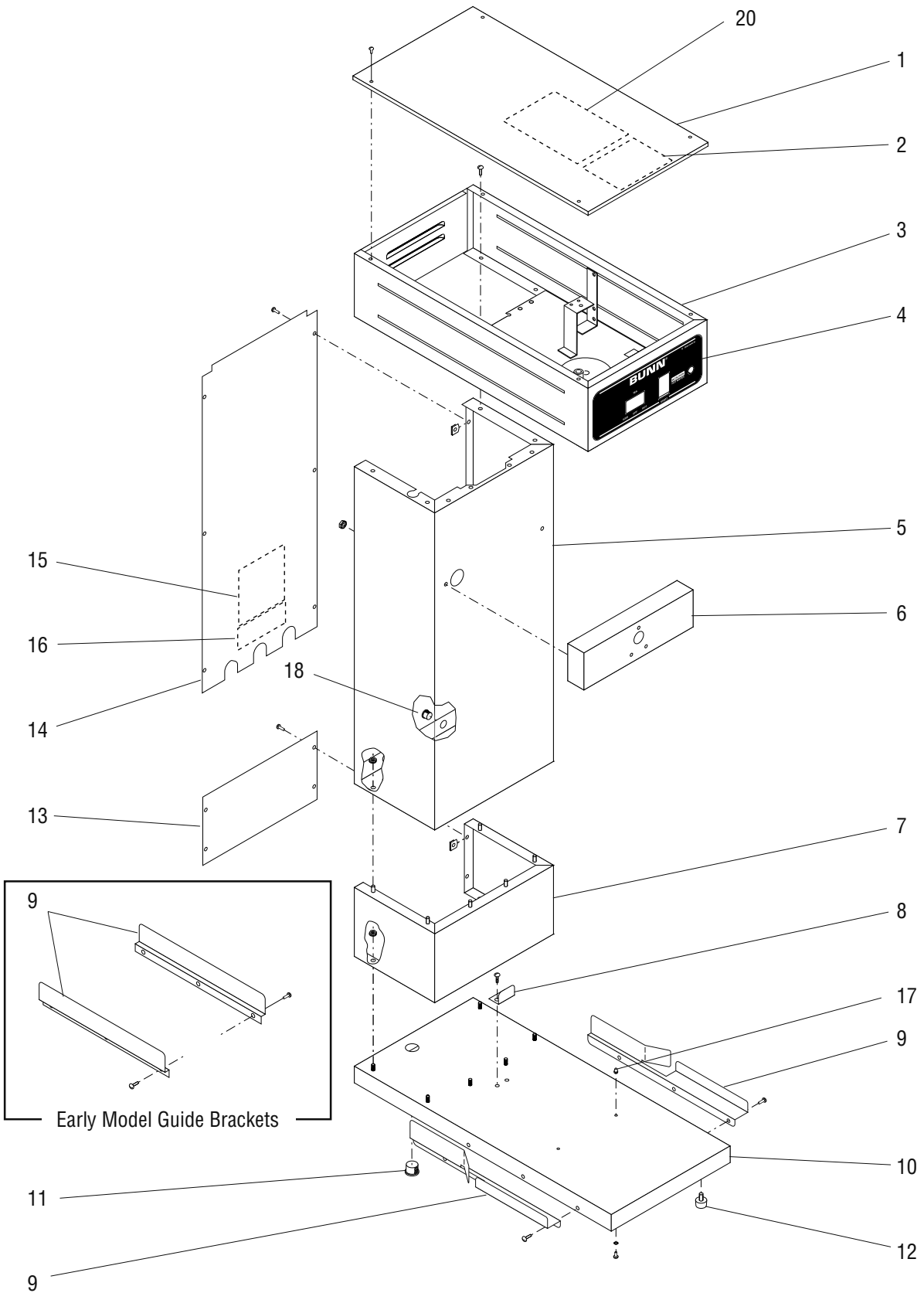
Numerical Index ..... 20

Strainer/Flow Control, Solenoids and Lines ..... 10

Tank Assembly (Without Faucet) ..... 6

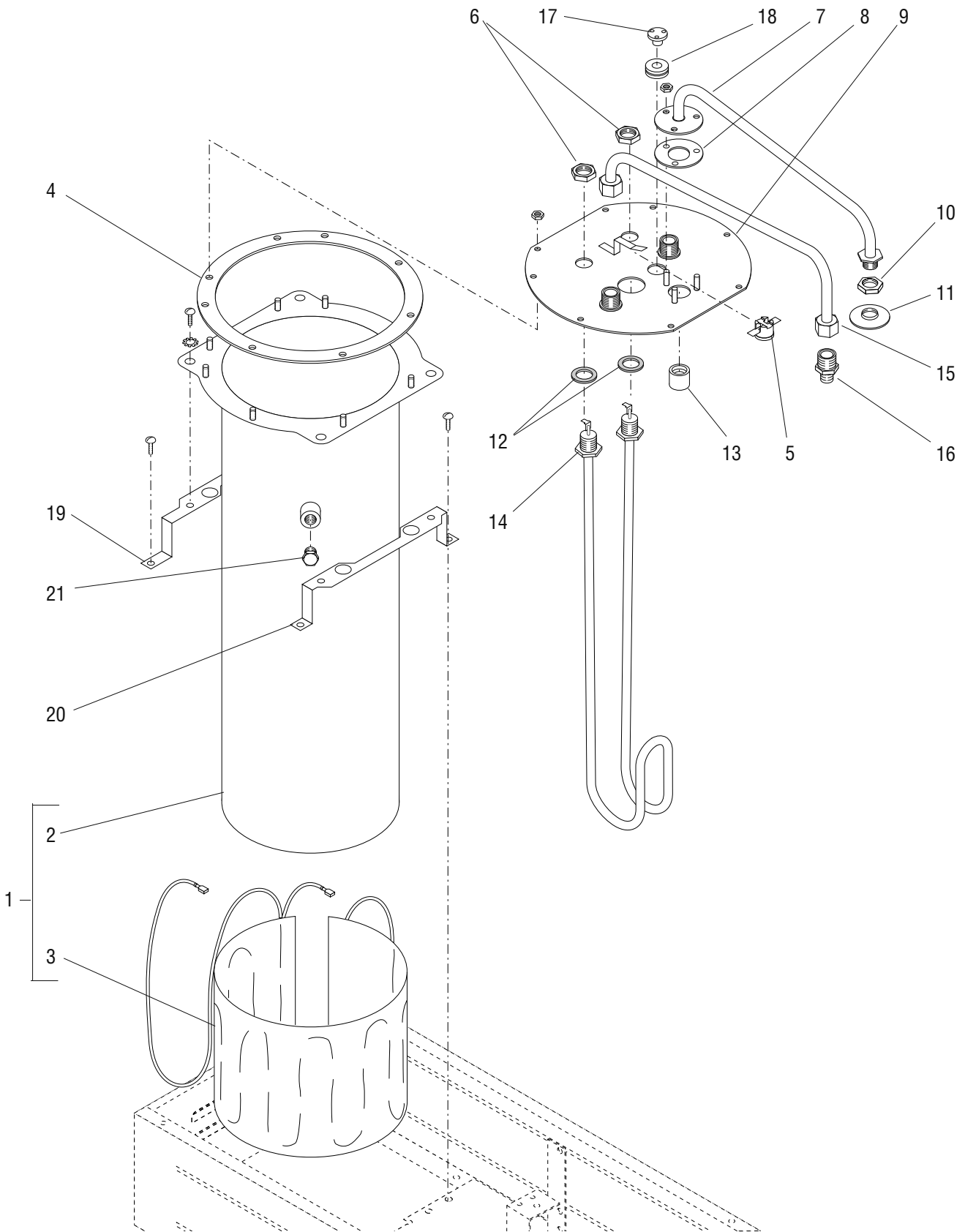
Tank Assembly (With Faucet) ..... 8

Top Cover, Hood, Trunk, Base and Panels ..... 4



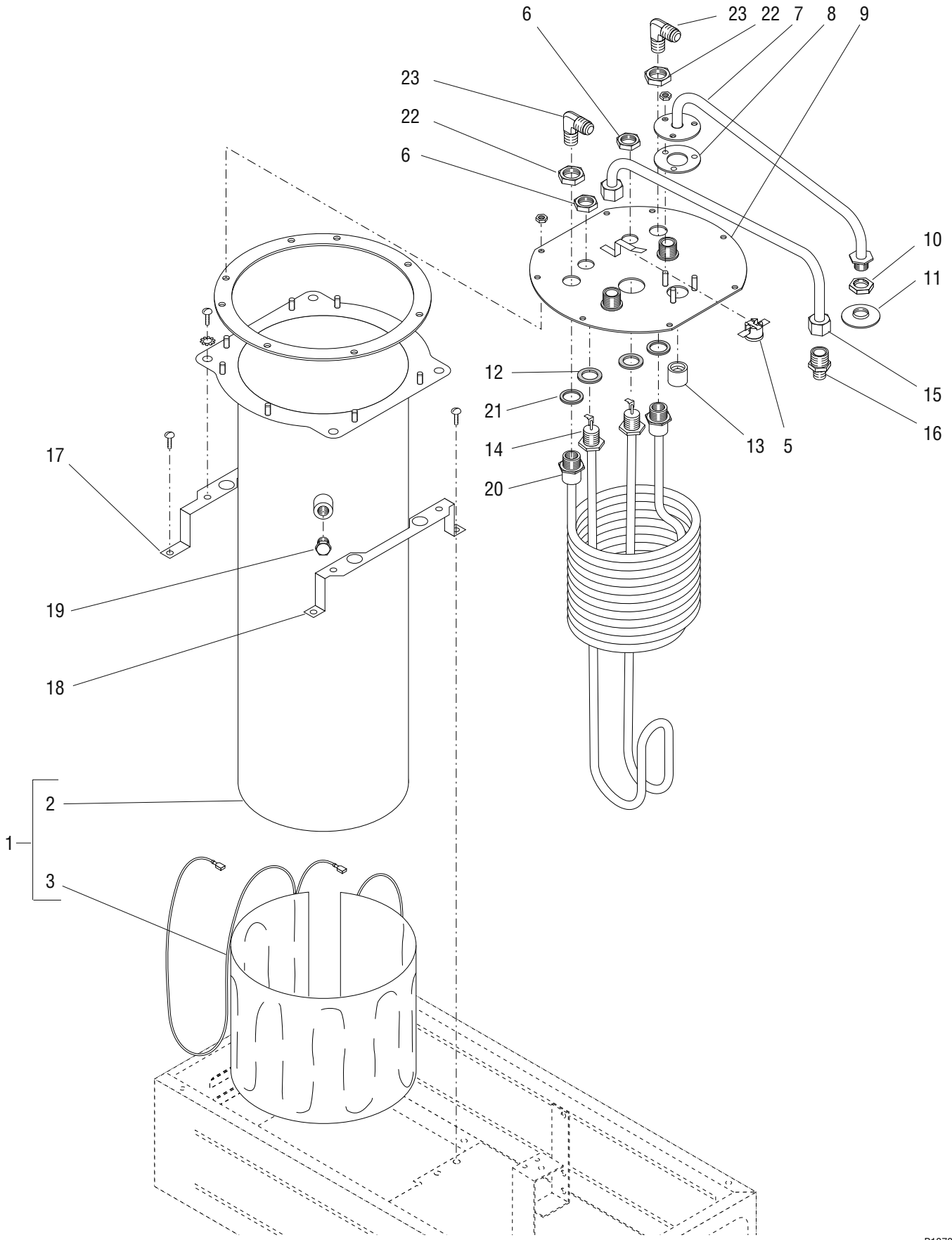
## TOP COVER, HOOD, TRUNK, BASE AND PANELS

ITEM	PART NO.	QTY.	DESCRIPTION
1	03423.0000	1	Cover, Top (Also order item 2)
	01382.0000	4	Screw, Truss Head #6-32 x .375"
2	10502.0002	1	Schematic, Electrical 120V
3	03381.0003	1	Hood (Also order item 4)
	02308.0000	6	Screw, Pan Head - Serrated #8-32 x .375"
4	28197.0000	1	Decal, Hood-Switch (Brewers W/Faucet)
	28197.0001	1	Decal, Hood-Switch (Brewers W/Out Faucet)
5	03762.0003	1	Trunk Assy
	00970.0000	6	Nut, Hex Keps #8-32
6	03773.0000	1	Housing, Nozzle Mounting
	00970.0000	2	Nut, Hex Keps #8-32
7	03765.0005	1	Housing Assy, Trunk Extension 4.64" HT
	00970.0000	6	Nut, Hex Keps #8-32
8	03770.0000	1	Bracket, Stop
	01315.0000	2	Screw, Truss Head #8-32 x .375"
9	03772.0000	2	Guide, Base (Early models)
	32035.0000	1	Guide, Base (Left side)
	32035.0001	1	Guide, Base (Right side)
	01315.0000	6	Screw, Truss Head #8-32 x .375"
10	03767.0002	1	Base
11	00668.0000	1	Plug, Hole .75" Dia
12	25137.0001	4	Foot .75" O.D. x .48" HT (See item 19)
13	03771.0004	1	Cover, Trunk Extension - Rear 4.64" HT
	01315.0000	4	Screw, Truss Head #8-32 x .375"
	00917.0000	4	Fastener, J-Type #8-32
14	22297.0001	1	Panel W/Decals, Trunk (Includes items 15 & 16)
	01315.0000	6	Screw, Truss Head #8-32 x .375"
	00917.0000	6	Fastener, J-Type #8-32
15	00831.0000	1	Decal, Electrical Warning
16	00656.0000	1	Decal, Comply With Plumbing Code
17	02319.0000	2	Nut, Acorn #6-32
	01510.0000	2	Lockwasher, External Tooth #6
	01308.0000	2	Screw, Truss Head #6-32 x .25"
18	00669.0003	1	Plug, Hole .437" Dia (Brewers W/Out Faucet)
19	24600.0000	-	Kit, Foot (Includes four feet)
20	32540.0000	1	Decal, Batch Set (Digital Timer)(Late Models)



## TANK ASSEMBLY W/OUT FAUCET

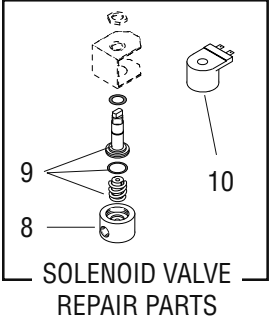
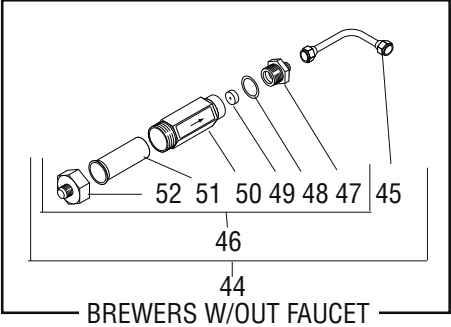
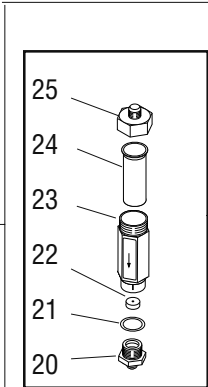
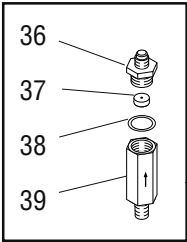
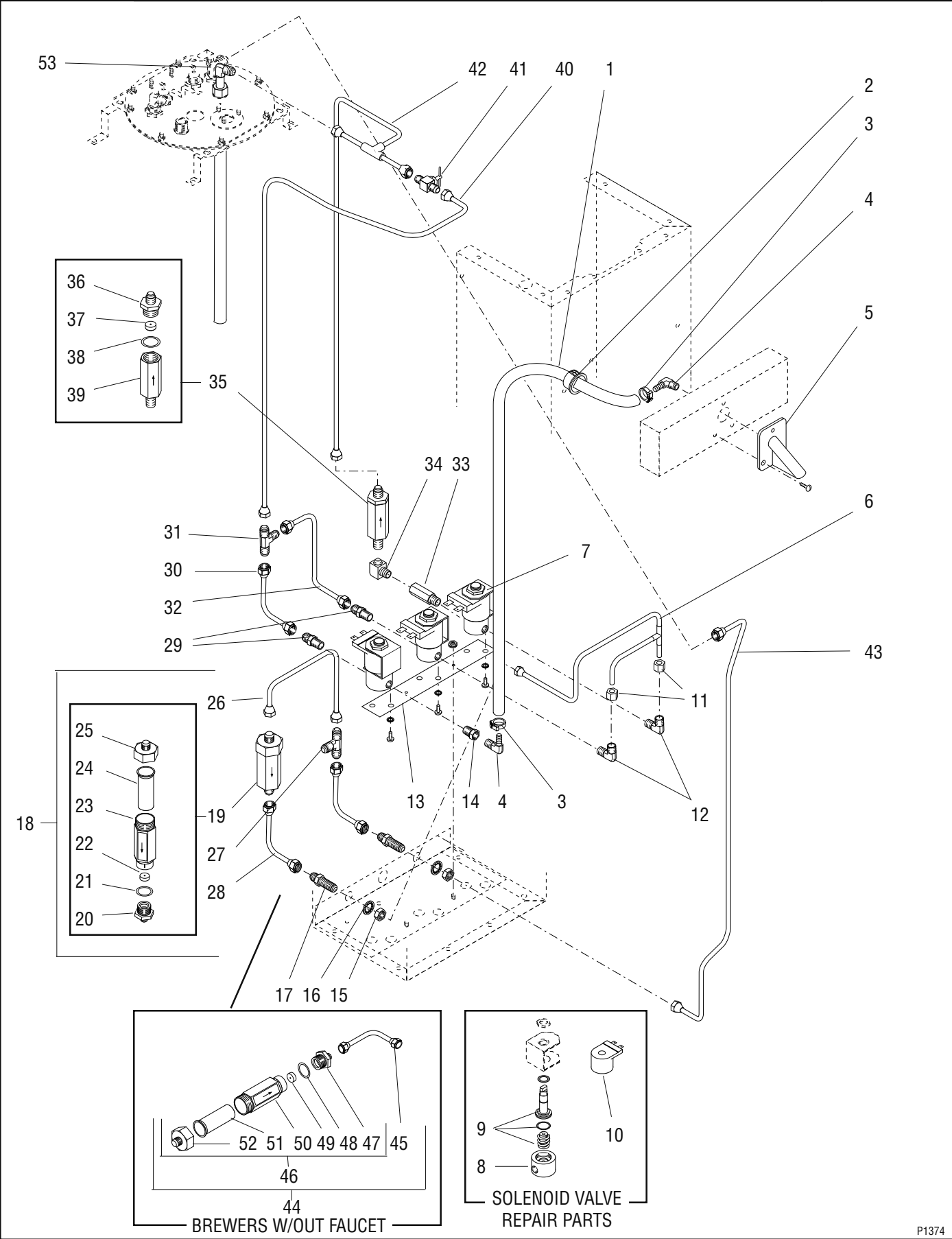
ITEM	PART NO.	QTY.	DESCRIPTION
1	20842.0000	1	Tank W/Blanket Warmer 120V (Includes items 2, 3 & 21)
	01315.0000	4	Screw, Truss Head #8-32 x .375"
	01512.0000	4	Lockwasher, External Tooth #10
2	20201.3000	1	Tank
3	04260.0000	1	Blanket Warmer, 50W 120V
4	04221.0000	1	Gasket, Tank Lid
5	29329.1000	1	Thermostat, Limit 30 amp
6	00942.0000	2	Nut, Hex .50"-20
7	20544.0000	1	Sprayhead Tube Kit (Includes 3 mounting nuts below, items 8 & 13)
	00908.0000	3	Nut, Hex #8-32
8	05515.0000	1	Gasket, Sprayhead Tube
9	20201.3102	1	Lid Assembly, Tank
	00908.0000	8	Nut, Hex #8-32
10	01075.0000	1	Nut, Hex .438"-20
11	01082.0000	1	Sprayhead, 6 Hole
12	00943.0000	2	Gasket, Tank Heater
13	05518.0000	1	Syphon Hub
14	03070.1000	1	Tank Heater, 1680W 120V (Includes Item 12)
15	20262.0000	1	Tube Assembly, Vent
16	00406.0001	1	Fitting .375" Tube x .125" MPT
17	01425.0000	1	Pin .375" Dia x .50"
18	02536.0000	1	Grommet .375" I.D.
19	20254.0001	1	Bracket, Tank Mounting - Rear
	02308.0000	2	Screw, Pan Head - Serrated #8-32 x .375"
20	20254.0000	1	Bracket, Tank Mounting - Front
	02308.0000	2	Screw, Pan Head - Serrated #8-32 x .375"
21	20201.6001	1	Plug, Hex Head .25" NPT





## TANK ASSEMBLY W/FAUCET

ITEM	PART NO.	QTY.	DESCRIPTION
1	20842.0000	1	Tank W/Blanket Warmer 120V (Includes items 2, 3 & 19)
	01315.0000	4	Screw, Truss Head #8-32 x .375"
	01512.0000	4	Lockwasher, External Tooth #10
2	20201.3000	1	Tank
3	04260.0000	1	Blanket Warmer, 50W 120V
4	04221.0000	1	Gasket, Tank Lid
5	29329.1000	1	Thermostat, Limit 30 amp
6	00942.0000	2	Nut, Hex .50"-20
7	20544.0000	1	Sprayhead Tube Kit (Includes 3 mounting nuts below, items 8 & 13)
	00908.0000	3	Nut, Hex #8-32
8	05515.0000	1	Gasket, Sprayhead Tube
9	20201.3103	1	Lid Assembly, Tank
	00908.0000	8	Nut, Hex #8-32
10	01075.0000	1	Nut, Hex .438"-20
11	01082.0000	1	Sprayhead, 6 Hole
12	00943.0000	2	Gasket, Tank Heater
13	05518.0000	1	Syphon Hub
14	03070.1000	1	Tank Heater, 1680W 120V (Includes Item 12)
15	20262.0000	1	Tube Assembly, Vent
16	00406.0001	1	Fitting .375" Tube x .125" MPT
17	20254.0001	1	Bracket, Tank Mounting - Rear
	02308.0000	2	Screw, Pan Head - Serrated #8-32 x .375"
18	20254.0000	1	Bracket, Tank Mounting - Front
	02308.0000	2	Screw, Pan Head - Serrated #8-32 x .375"
19	20201.6001	1	Plug, Hex Head .25" NPT
20	12689.1000	1	Coil Assembly, Hot Water (Includes item 21)
21	12688.0000	2	Gasket, Hot Water Coil
22	12687.0000	2	Nut, Hex - Brass .562"-24
23	00400.0001	2	Elbow, Male .25" Flare x .125" MPT



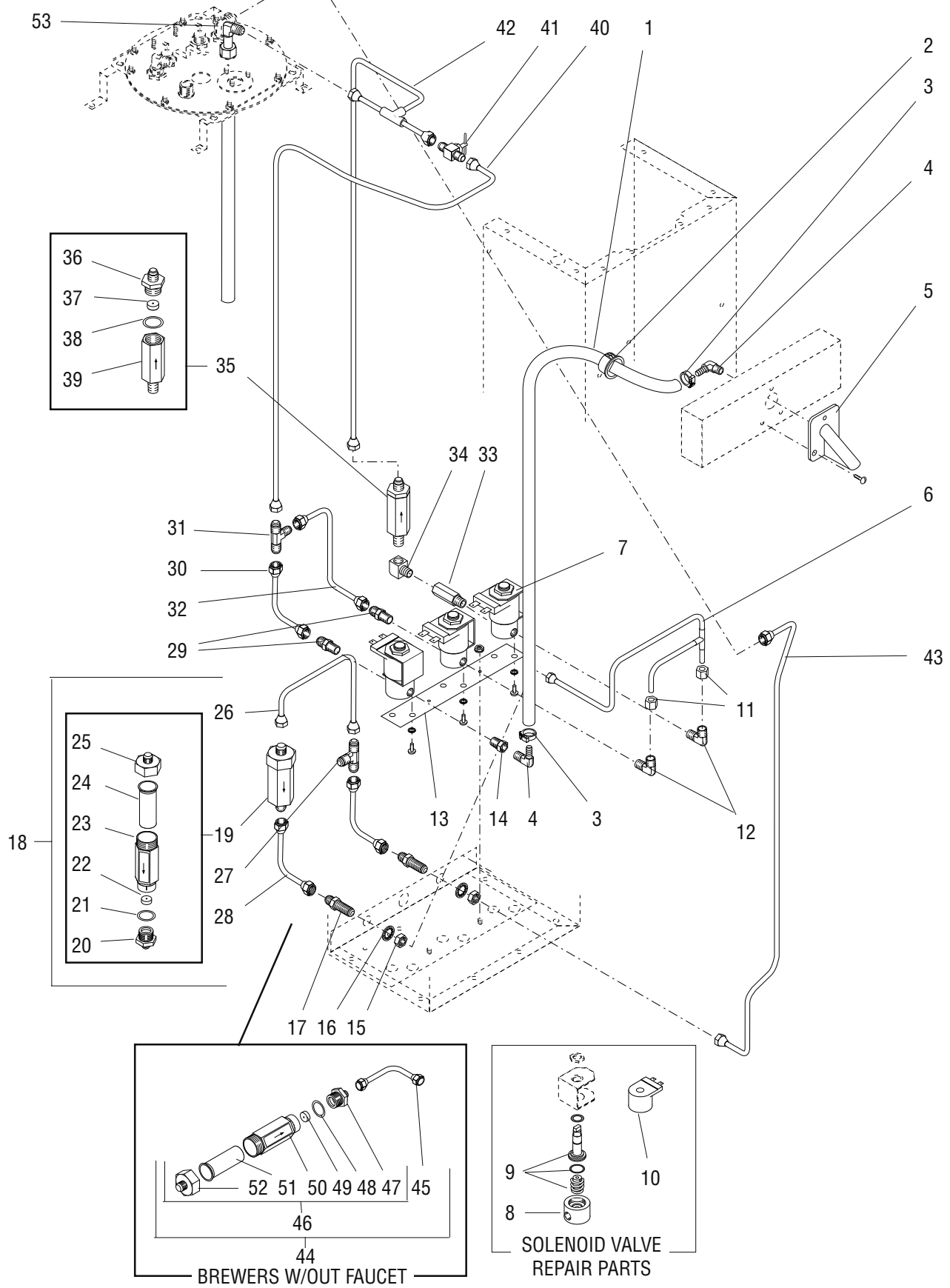
## STRAINER/FLOW CONTROL, SOLENOIDS AND LINES

ITEM	PART NO.	QTY.	DESCRIPTION
1	-----	1	Tube, Silicone .250" I.D. x 21" LG (Order item 54)
2	01592.0000	1	Bushing, Snap 1" Dia Hole
3	12422.0000	2	Clamp, Hose - Snap Type .47"/.54" I.D.
4	00464.0001	2	Elbow, .250" Barb x .125" MPT
5	03717.0000	1	Nozzle, Dilution
	01382.0000	3	Screw, Truss Head Serrated #6-32 x .375"
6	25523.0000	1	Tube Assembly, Solenoids to Bulkhead (Includes items 11)
7	01085.0000	3	Solenoid Valve, 120V
	01327.0000	6	Screw, Pan Head #10-32 x .375"
	01502.0000	6	Lockwasher, Split #10
8	01079.0000	1	Base, Solenoid Valve
9	01111.0000	1	Solenoid Valve Repair Kit (Includes Plunger, Seal and Spring)
10	01101.0000	1	Coil, Solenoid Valve 120V
11	00443.0001	2	Nut/Sleeve .250" Tube
12	00465.0001	2	Elbow Assembly .125" MPT x .250" Tube (Includes item 11)
13	03170.0000	1	Plate, Solenoid Valve Mounting
	00970.0000	2	Nut, Keps #8-32
14	00430.0001	1	Adapter, .125 NPT Male & Female
15	00463.0000	2	Nut, Hex - Brass .438"-20
16	01532.0000	2	Lockwasher, Internal Tooth .438"
17	00459.0000	2	Fitting, Bulkhead .250" Flare
18	24368.0000	1	Strainer/Flow Control W/Tubing, .750 GPM (Includes items 19 thru 28)(Brewers W/ Faucet)
19	22300.0750	1	Strainer/Flow Control, .750 GPM (Includes item 20 thru 25)
20	01154.0000	1	Fitting, Flow Control Outlet
21	01155.0000	1	Gasket, Flow Control
22	20526.1750	1	Flow Washer/Gasket Kit (.750 GPM) (Includes item 21)
23	-----	1	Body (Not Available. Order item 19)
24	23721.0000	1	Screen
25	22249.0000	1	Fitting, Flow Control Inlet
26	26280.0000	1	Tube Assembly, Tee to Strainer/Flow Control
27	20577.0000	1	Tee .250" Flare
28	21814.0016	2	Tube Assembly, Bulkhead

} One Less  
Used on  
Brewers W/  
Out Faucet

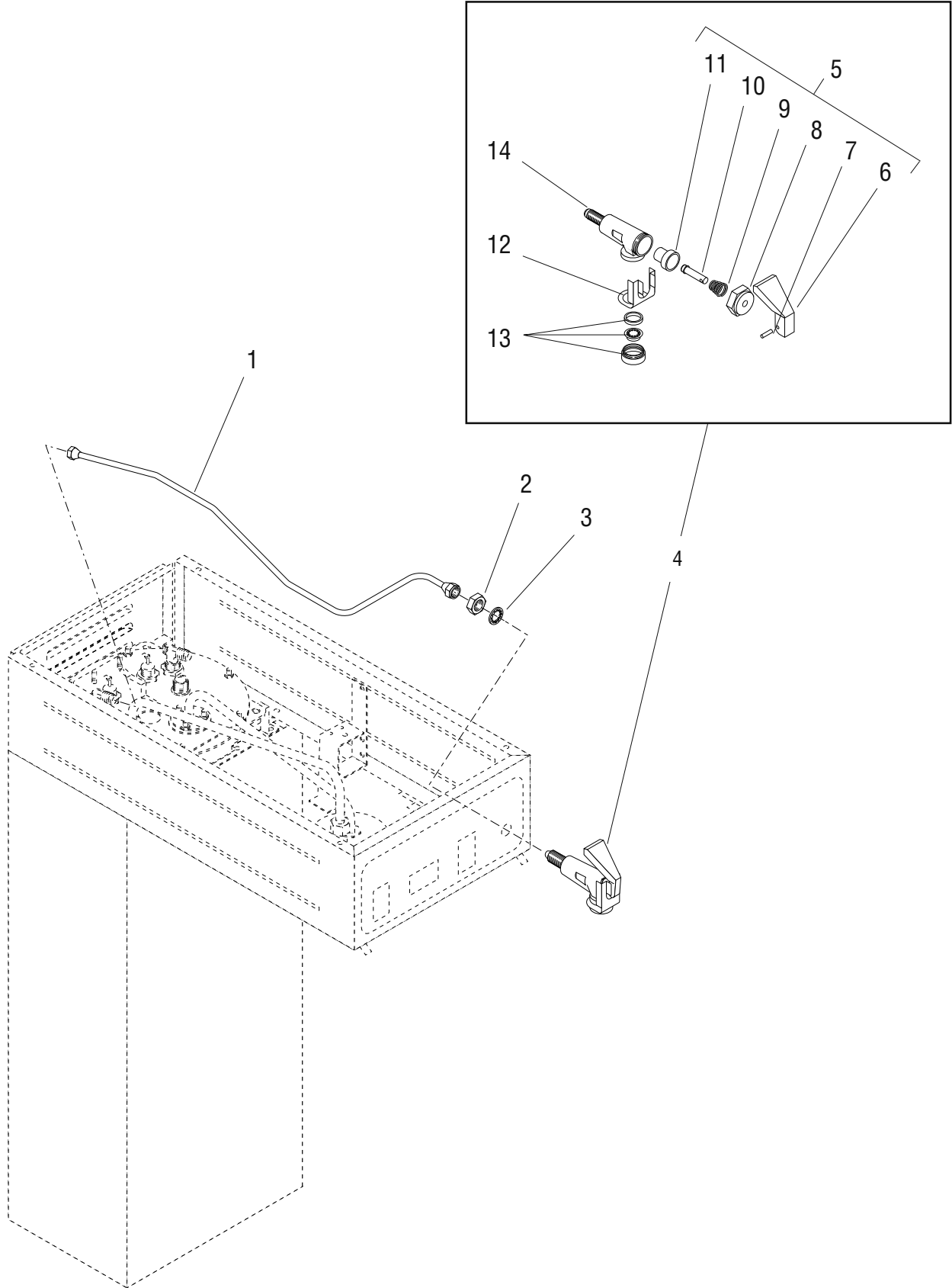
(Continued)

(Continued)



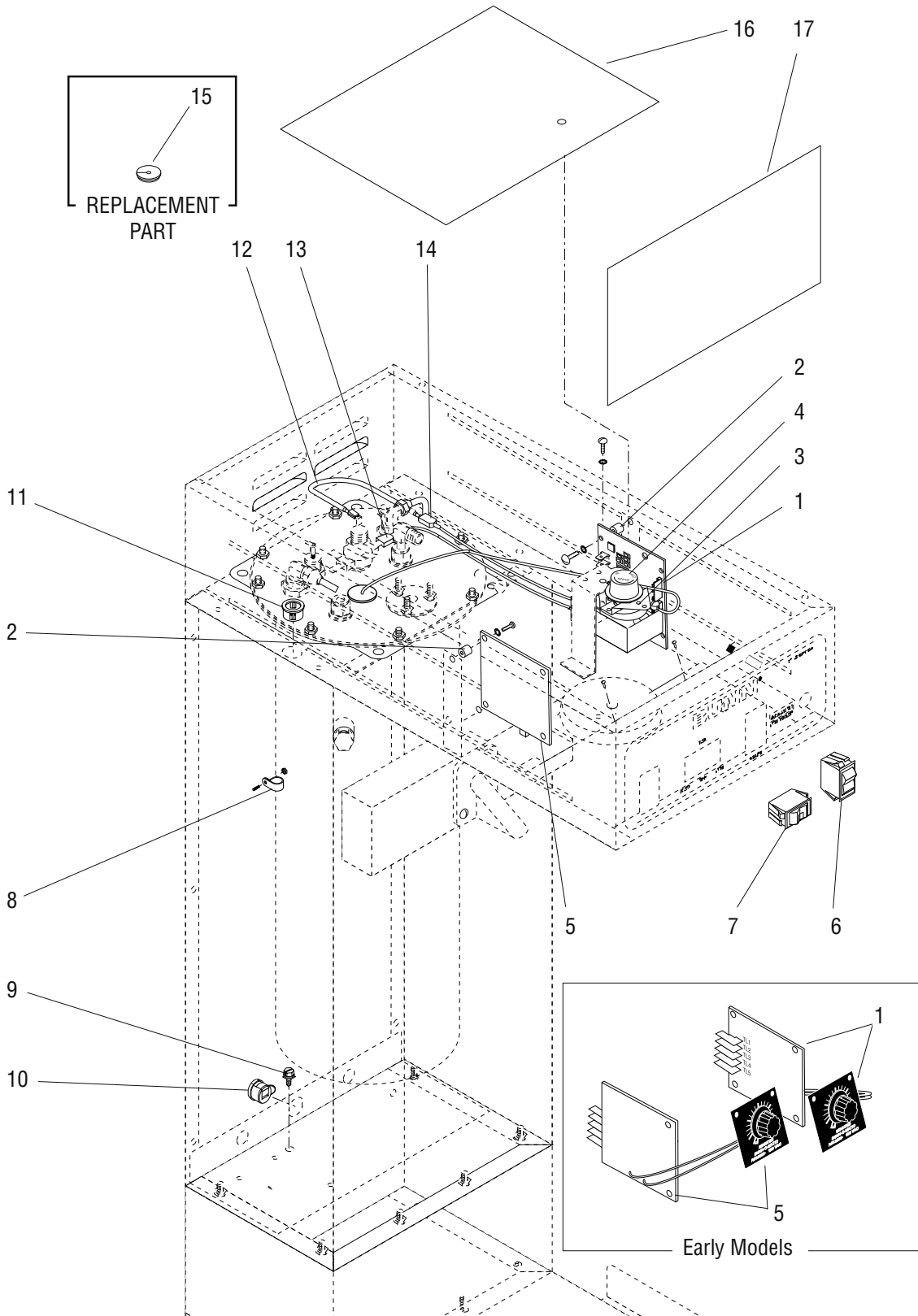
## STRAINER/FLOW CONTROL, SOLENOIDS AND LINES

ITEM	PART NO.	QTY.	DESCRIPTION
29	00402.0001	3	Connector .25" Male Flare x .125" MPT
30	00310.0006	1	Tube Assembly, Dilution to Tee
31	20577.0001	1	Tee .250" Flare
32	20628.0001	1	Tube Assembly, Tee to Iced Tea Brew Solenoid
33	00458.0001	1	Adapter .125" MPT x .125" FPT
34	00432.0001	1	Elbow .125" NPT Male & Female
35	20528.1222	1	Flow Control Assembly (.222 GPM) (Includes items 36 thru 39)
36	01154.0001	1	Fitting, Flow Control Outlet
37	20526.1222	1	Flow Washer/Gasket Kit (.222 GPM) (Includes item 38)
38	01155.0000	1	Gasket, Flow Control
39	-----	1	Body, Flow Control (Not Available. Order item 35)
40	20260.0000	1	Tube Assembly, Tee to Needle Valve
41	00484.0001	1	Valve, Needle .250" Flare
42	20257.0000	1	Tube Assembly, Flow Control to Tank
43	20256.0000	1	Tube Assembly, Bulkhead to Coil (Brewers W/Faucet)
44	24356.0750	1	Strainer/Flow Control W/Tube (Includes items 45 & 46)(Brewers W/Out Faucet)
45	00310.0000	1	Tube Assembly, Strainer/Flow Control to Bulkhead
46	22300.0750	1	Strainer/Flow Control (Includes Items 47 thru 52)
47	01154.0000	1	Fitting, Flow Control Outlet
48	01155.0000	1	Gasket, Flow Control
49	20526.1750	1	Flow Washer/Gasket Kit, .750 GPM (Includes item 48)
50	-----	1	Body (Not Available. Order item 46)
51	23721.0000	1	Screen
52	22249.0000	1	Fitting, Flow Control Inlet
53	13085.0002	1	Tube Assembly, Tank Fill
54	11707.1001	-	Tube, Silicone .250" I.D. x .50" O.D. x 36" LG
	11707.1002	-	Tube, Silicone .250" I.D. x .50" O.D. x 120" LG



## FAUCET

ITEM	PART NO.	QTY.	DESCRIPTION
1	20274.0000	1	Tube Assy, Coil to Faucet
2	13059.0000	1	Faucet Jam Nut
3	01532.0000	1	Lockwasher, Internal Tooth .438" I.D.
4	12915.0000	1	Faucet, Hot Water (Includes items 5 thru 14)
5	13061.0000	1	Faucet Handle/Stem Assy (Includes items 6 thru 11)
6	13053.0000	1	Faucet Handle/Pin Kit (Includes item 7)
7	02858.0000	1	Pin, Spring .125" Dia. x .50"
8	13060.0000	1	Faucet Bonnet Nut
9	13055.0000	1	Faucet Spring
10	13054.0000	1	Faucet Stem
11	13056.0000	1	Faucet Seat Cup
12	13057.0000	1	Faucet Safety Clip
13	13058.0000	1	Faucet Aerator Kit
14	-----	1	Body, Faucet (Not available order item 4)

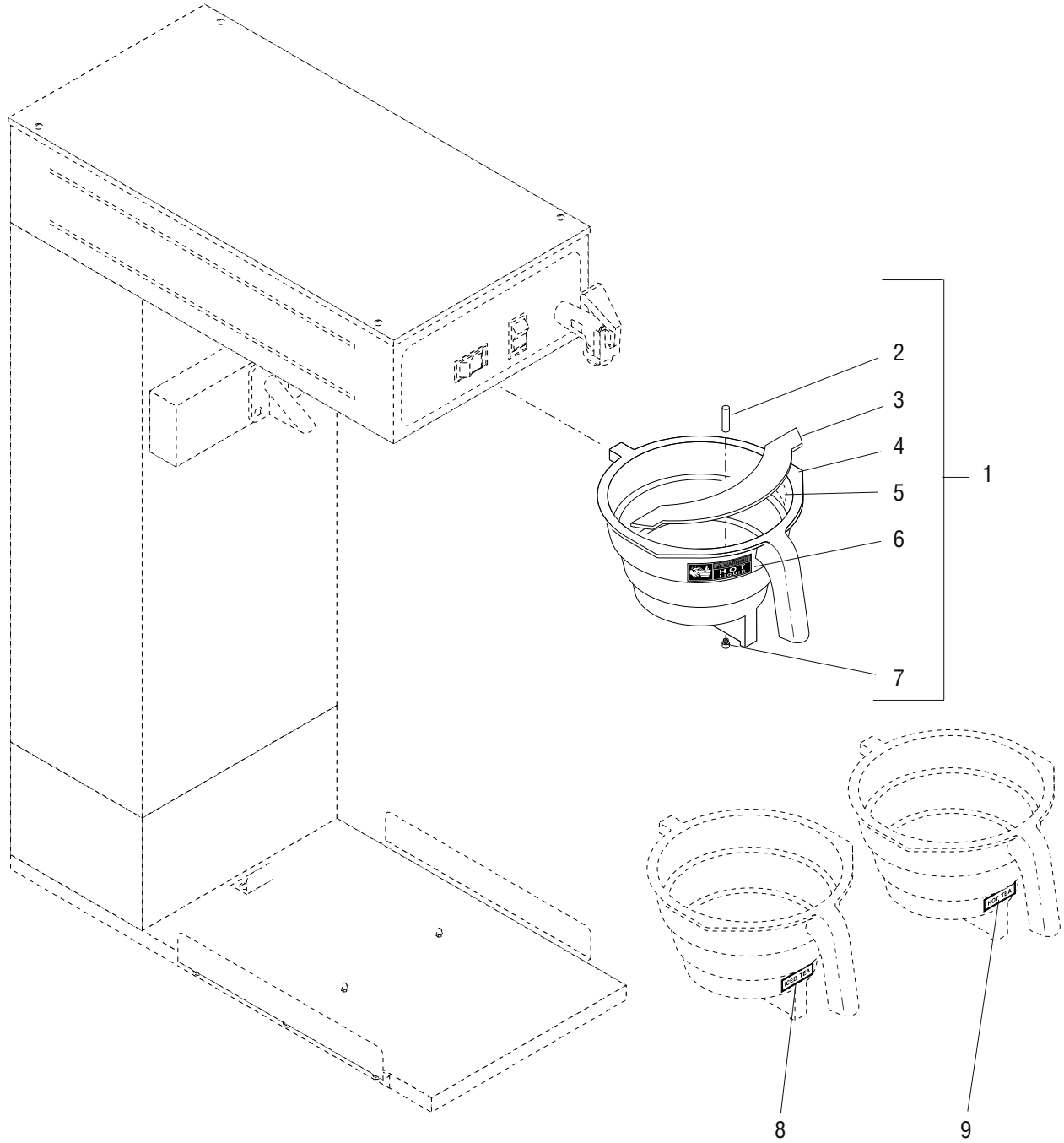




## ELECTRICAL AND OPERATING CONTROLS

ITEM	PART NO.	QTY.	DESCRIPTION
1	-----	1	Timer, 5 Min - 120V (Hot Tea)(Early Models)
	32400.0002	1	Digital Timer - 120V
	01388.0000	2	Screw, Truss Head #6-32 x .75"
	01347.0000	2	Screw, Truss Head Serrated #6-32 x .375"
	01510.0000	2	Lockwasher, External Tooth #6
	12919.0008	1	Cap, Terminal (Not Illustrated)
2	01533.0000	4	Spacer .171" I.D. x .375" O.D. x .375" LG
3	03024.0005	1	Thermostat Assembly (Includes item 4)
	01310.0000	1	Screw, Pan Head #6-32 x .25" (Mounting)
	20762.0000	2	Screw, Binding Head #8-32 x .25" (Terminal)
	01510.0000	1	Lockwasher, External Tooth #6
4	00720.0000	1	Knob, Thermostat
5	-----	1	Timer, 8 Min - 120V (Iced Tea)(Early Models)
	32400.0002	1	Digital Timer - 120V
	01388.0000	2	Screw, Truss Head #6-32 x .75"
	01347.0000	2	Screw, Truss Head Serrated #6-32 x .375"
	01510.0000	2	Lockwasher, External Tooth #6
6	11633.0000	1	Switch, Start
7	20234.0000	1	Switch, ON/OFF/ON 120V
8	00603.0000	1	Clamp, Cable
	00970.0000	1	Nut, Keps #8-32
9	01309.0000	1	Screw, Power Cord Ground - Pan Head W/Washer #10-32 x .50"
10	00707.0000	1	Bushing, Strain Relief
11	00614.0000	1	Bushing .469" I.D.
12	20211.0100	1	Thermal Fuse, Tank Heater to BLK Lead from Thermostat (Brewers W/Faucet)
13	21016.0001	1	Lead, Limit Thermostat to Control Thermostat - BLU/BLK 16AWG 11.0" LG
14	21016.0000	1	Lead, Thermal Fuse to Control Thermostat - BLK 16AWG 6.50" LG (Brewers W/ Faucet)
	21016.0002	1	Lead, Tank Heater to Control Thermostat - BLK 16AWG 15" LG (Brewers W/Out Faucet)
15	07073.0000	1	Grommet, Thermostat
16	00636.0000	1	Shield, Polyester - Timer Boards
17	00637.0000	1	Shield, Polyester - Switch Terminals
18	01637.0000	1	Cord, Power 120V
19	21000.0019	1	Lead, Warmer Blanket to Main Harness 18AWG BLK 5.0" LG
	21001.0016	1	Lead, Warmer Blanket to Main Harness 18AWG WHI 5.0" LG
20	20272.0000	1	Wiring Harness, Main 120V
21	00617.0000	2	Tie, Cable

} Not Illustrated



## FUNNEL ASSEMBLY

ITEM	PART NO.	QTY.	DESCRIPTION
1	03021.0004	2	Funnel Assembly, Smoke (Includes items 2 thru7)(Also order items 8 or 9)
2	03284.0000	1	Adapter W/Screen, Funnel (See item 10)
3	32965.0000	1	Splashguard
4	-----	1	Funnel, Brew Tea - Smoke (Not Available. Order item 1)
5	03408.0000	1	Decal, Caution - Remove Funnel
6	03409.0000	1	Decal, Caution - Hot Liquid
7	03407.0000	1	Funnel Tip, .082" Dia. (See item 10)
8	28198.0000	1	Decal, Iced Tea
9	28199.0000	1	Decal, Hot Tea
10	01037.0002	-	Funnel Tip & Screen Kit (Includes items 2 & 7)

NUMERICAL INDEX

PART NO.	PAGE NO.	PART NO.	PAGE NO.	PART NO.	PAGE NO.	PART NO.	PAGE NO.
00310.0000	13	01637.0000	17	20254.0001	7,9		
00310.0006	13	02308.0000	5,7,9	20256.0000	13		
00400.0001	9	02319.0000	5	20257.0000	13		
00402.0001	13	02536.0000	7	20260.0000	13		
00406.0001	7,9	02858.0000	15	20262.0000	7,9		
00430.0001	11	03021.0004	19	20272.0000	17		
00432.0001	13	03024.0005	17	20274.0000	15		
00443.0001	11	03070.1000	7,9	20526.1222	13		
00458.0001	13	03170.0000	11	20526.1750	11,13		
00459.0000	11	03284.0000	19	20528.1222	13		
00463.0000	11	03381.0003	5	20544.0000	7,9		
00464.0001	11	03407.0000	19	20577.0000	11		
00465.0001	11	03408.0000	19	20577.0001	13		
00484.0001	13	03409.0000	19	20628.0001	13		
00603.0000	17	03423.0000	5	20762.0000	17		
00614.0000	17	03717.0000	11	20842.0000	7,9		
00617.0000	17	03762.0003	5	21000.0019	17		
00636.0000	17	03765.0005	5	21001.0016	17		
00637.0000	17	03767.0002	5	21016.0000	17		
00656.0000	5	03770.0000	5	21016.0001	17		
00668.0000	5	03771.0004	5	21016.0002	17		
00669.0003	5	03772.0000	5	21814.0016	11		
00707.0000	17	03773.0000	5	22249.0000	11,13		
00720.0000	17	04221.0000	7,9	22297.0001	5		
00831.0000	5	04260.0000	7,9	22300.0750	11,13		
00908.0000	7,9	05515.0000	7,9	23721.0000	11,13		
00917.0000	5	05518.0000	7,9	24356.0750	13		
00942.0000	7,9	07073.0000	17	24368.0000	11		
00943.0000	7,9	10502.0002	5	24600.0000	5		
00970.0000	5,11,17	11633.0000	17	25137.0001	5		
01037.0002	19	11707.1001	13	25523.0000	11		
01075.0000	7,9	11707.1002	13	26280.0000	11		
01079.0000	11	12422.0000	11	28197.0000	5		
01082.0000	7,9	12687.0000	9	28197.0001	5		
01085.0000	11	12688.0000	9	28198.0000	19		
01101.0000	11	12689.1000	9	28199.0000	19		
01111.0000	11	12915.0000	15	29329.1000	7,9		
01154.0000	11,13	12919.0008	17	32035.0000	5		
01154.0001	13	13053.0000	15	32035.0001	5		
01155.0000	11,13	13054.0000	15	32400.0002	17		
01308.0000	5	13055.0000	15	32540.0000	5		
01309.0000	17	13056.0000	15	32965.0000	19		
01310.0000	17	13057.0000	15				
01315.0000	5,7,9	13058.0000	15				
01327.0000	11	13059.0000	15				
01347.0000	17	13060.0000	15				
01382.0000	5,11	13061.0000	15				
01388.0000	17	13085.0002	13				
01425.0000	7	20201.3000	7,9				
01502.0000	11	20201.3102	7				
01510.0000	5,17	20201.3103	9				
01512.0000	7,9	20201.6001	7,9				
01532.0000	11,15	20211.0100	17				
01533.0000	17	20234.0000	17				
01592.0000	11	20254.0000	7,9				