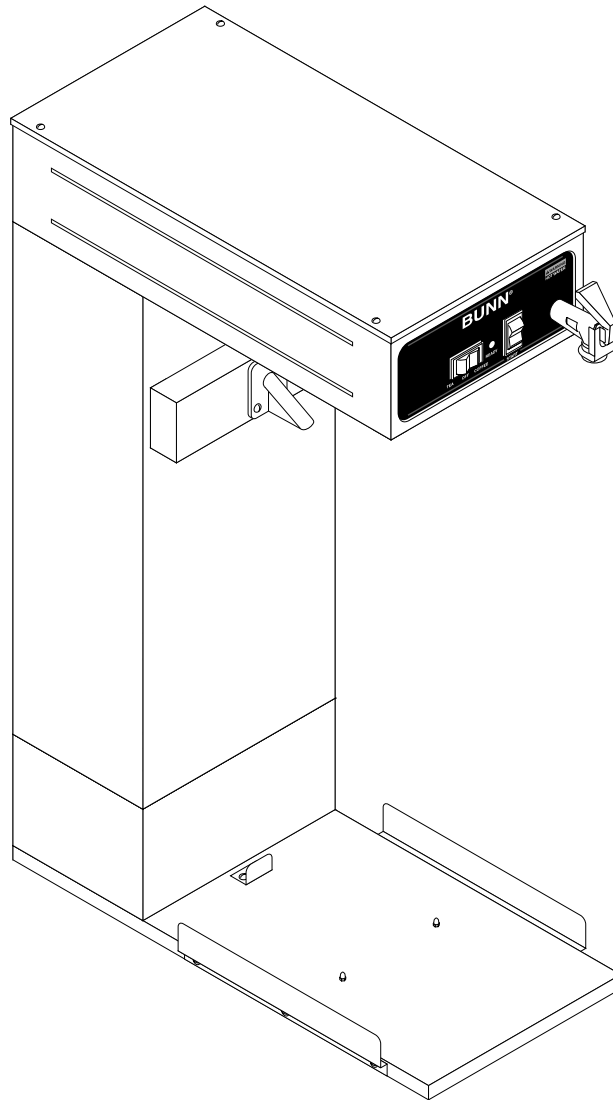


# BUNN®

# TWF-EZ



## ILLUSTRATED PARTS CATALOG

Designs, materials, weights, specifications, and dimensions for equipment or replacement parts are subject to change without notice.

**BUNN-O-MATIC CORPORATION**

**POST OFFICE BOX 3227**

**SPRINGFIELD, ILLINOIS 62708-3227**

**PHONE: (217) 529-6601 FAX: (217) 529-6644**

## WARRANTY

Bunn-O-Matic Corp. ("Bunn") warrants the equipment manufactured by it to be commercially free from defects in material and workmanship existing at the time of manufacture and appearing within one year from the date of installation. In addition:

1.) Bunn warrants electronic circuit and/or control boards to be commercially free from defects in material and workmanship for two years from the date of installation.

2.) Bunn warrants the compressor on refrigeration equipment to be commercially free from defects in material and workmanship for two years from the date of installation.

3.) Bunn warrants that the grinding burrs on coffee grinding equipment will grind coffee to meet original factory screen sieve analysis for three years from date of installation or for 30,000 pounds of coffee, whichever comes first.

This warranty does not apply to any equipment, component or part that was not manufactured by Bunn or that, in Bunn's judgement, has been affected by misuse, neglect, alteration, improper installation or operation, improper maintenance or repair, damage or casualty.

**THE FOREGOING WARRANTY IS EXCLUSIVE AND IS IN LIEU OF ANY OTHER WARRANTY, WRITTEN OR ORAL, EXPRESS OR IMPLIED, INCLUDING, BUT NOT LIMITED TO, ANY IMPLIED WARRANTY OF EITHER MERCHANTABILITY OR FITNESS FOR A PARTICULAR PURPOSE.** The agents, dealers or employees of Bunn are not authorized to make modifications to this warranty or to make additional warranties that are binding on Bunn. Accordingly, statements by such individuals, whether oral or written, do not constitute warranties and should not be relied upon.

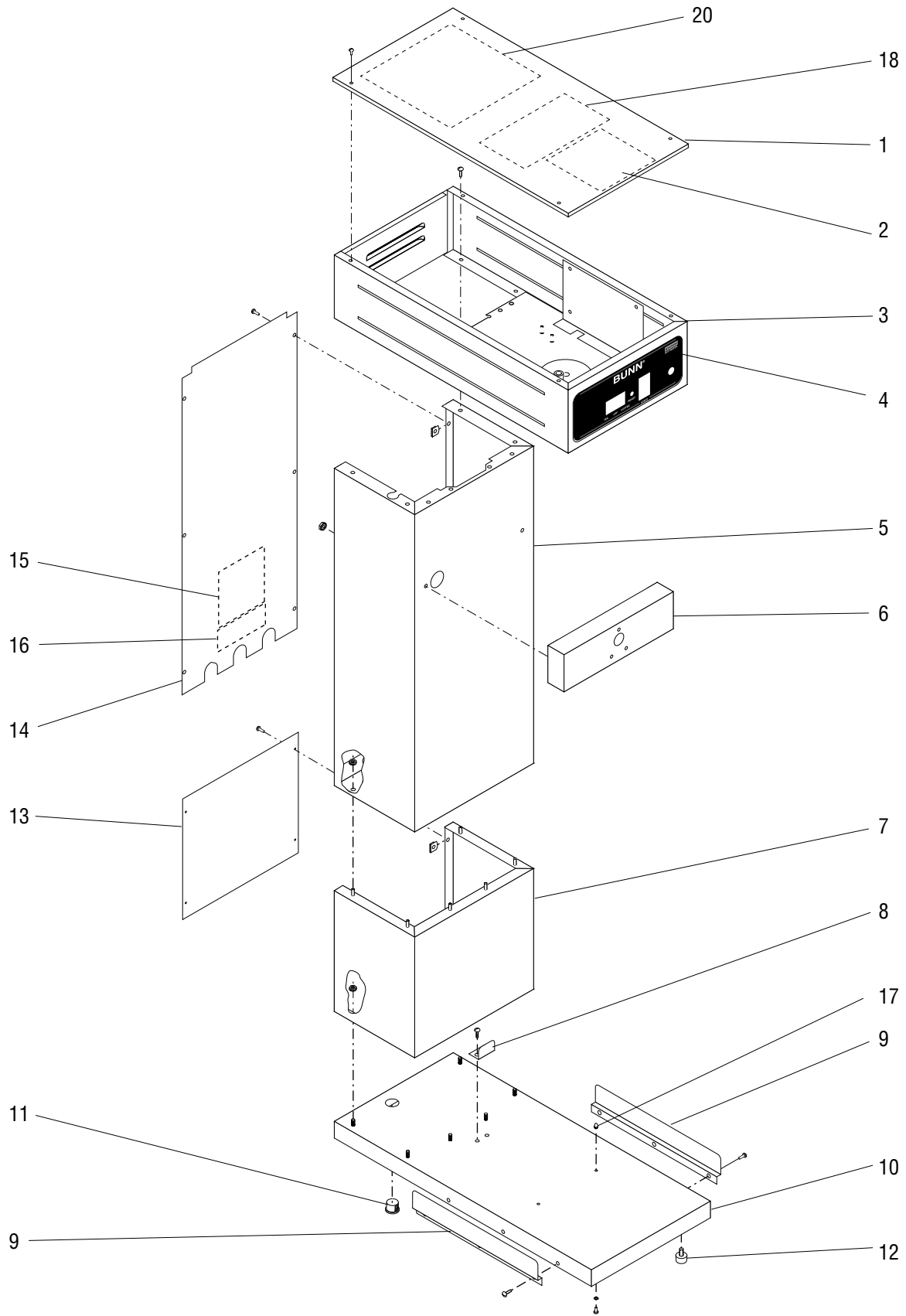
The Buyer shall give Bunn prompt notice of any claim to be made under this warranty by telephone at (217) 529-6601 or by writing to Post Office Box 3227, Springfield, Illinois, 62708-3227. If requested by Bunn, the Buyer shall ship the defective equipment prepaid to an authorized Bunn service location. If Bunn determines, in its sole discretion, that the equipment does not conform to the warranty, Bunn shall repair the equipment with no charge for parts during the warranty period and no charge for labor by a Bunn Authorized Service Representative during the warranty period. If Bunn determines that repair is not feasible, Bunn shall, at its sole option, replace the equipment or refund the purchase price for the equipment.

**THE BUYER'S REMEDY AGAINST BUNN FOR THE BREACH OF ANY OBLIGATION ARISING OUT OF THE SALE OF THIS EQUIPMENT, WHETHER DERIVED FROM WARRANTY OR OTHERWISE, SHALL BE LIMITED, AS SPECIFIED HEREIN, TO REPAIR OR, AT BUNN'S SOLE OPTION, REPLACEMENT OR REFUND.**

In no event shall Bunn be liable for any other damage or loss, including, but not limited to, lost profits, lost sales, loss of use of equipment, claims of Buyer's customers, cost of capital, cost of down time, cost of substitute equipment, facilities or services, or any other special, incidental or consequential damages.

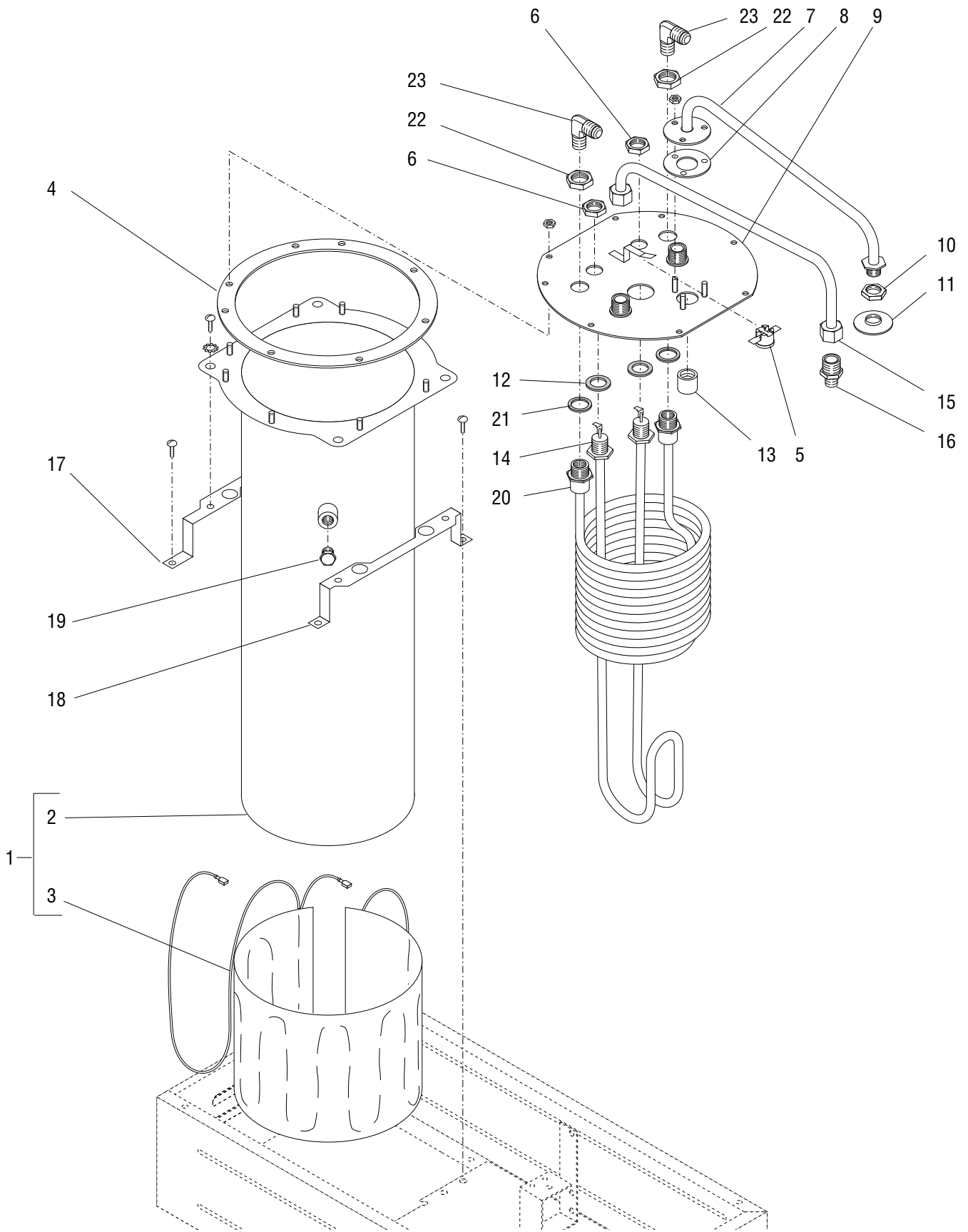
## TABLE OF CONTENTS

Electrical and Operating Controls .....	14
Faucet .....	12
Funnel Assembly .....	16
Numerical Index .....	18
Strainer/Flow Control, Solenoids and Lines .....	8
Tank Assembly .....	6
Top Cover, Hood, Trunk, Base and Panels .....	4



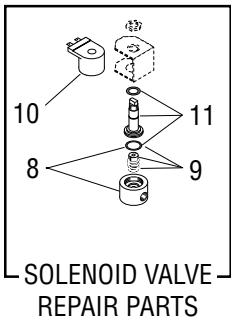
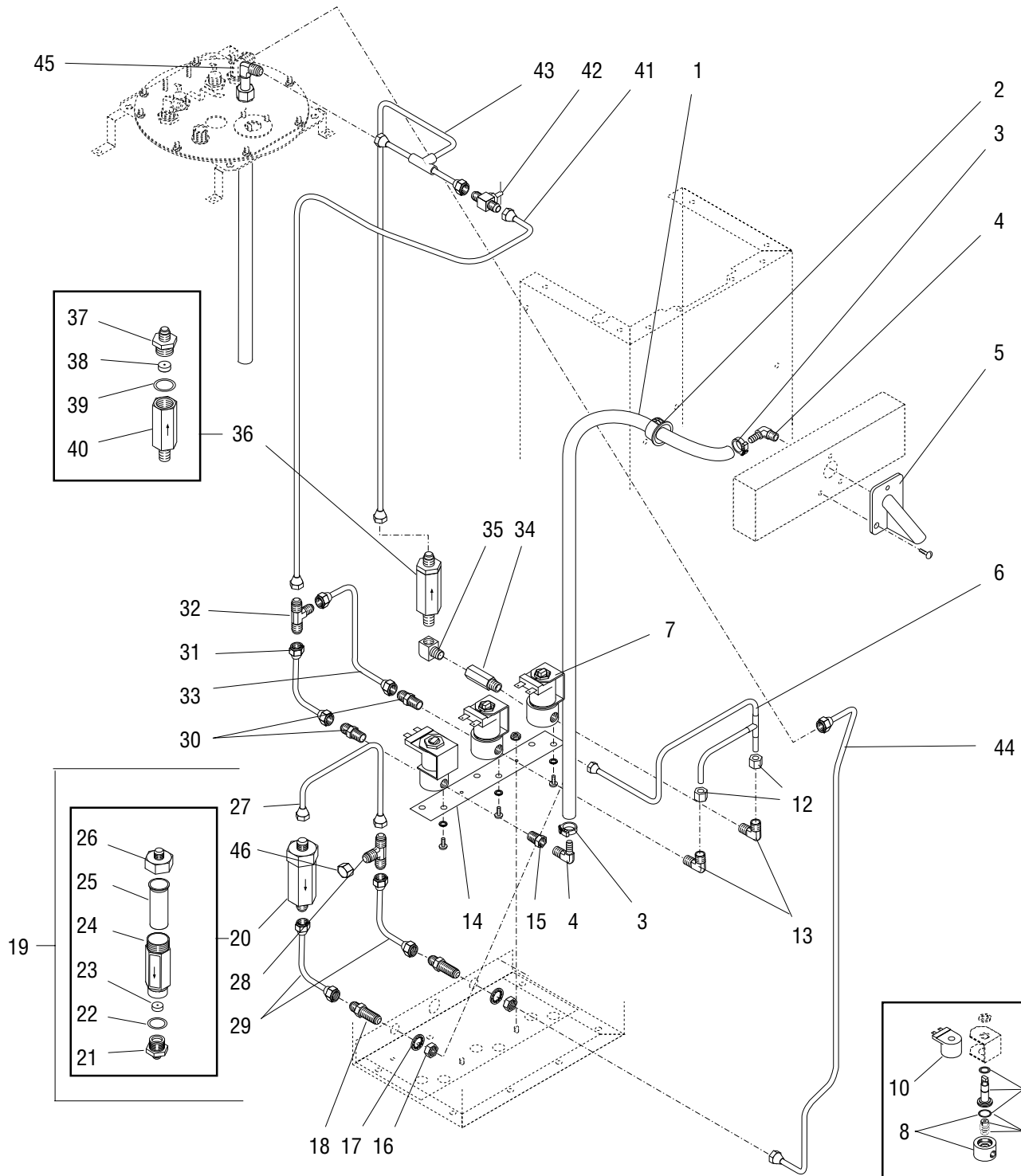
## TOP COVER, HOOD, TRUNK, BASE AND PANELS

ITEM	PART NO.	QTY.	DESCRIPTION
1	03423.1004	1	Cover, Top (Includes items 2,18 & 19)
	01382.0000	4	Screw, Truss Head #6-32 x .375"
2	29468.0000	1	Schematic, Electrical 120V
3	03381.0007	1	Hood (Also order items 4)
	02308.0000	6	Screw, Pan Head - Serrated #8-32 x .375"
4	20268.0003	1	Decal, Hood-Switch
5	03762.0003	1	Trunk Assy
	00970.0000	6	Nut, Hex Keps #8-32
6	03773.0000	1	Housing, Nozzle Mounting
	00970.0000	2	Nut, Hex Keps #8-32
7	03765.0003	1	Housing Assy, Trunk Extension 8.12" HT
	00970.0000	6	Nut, Hex Keps #8-32
8	03770.0000	1	Bracket, Stop
	01315.0000	2	Screw, Truss Head #8-32 x .375"
9	03772.0000	2	Guide, Base
	01317.0003	6	Screw, Locking, Truss Head #8-32 x .375"
10	03767.0002	1	Base
11	00668.0000	1	Plug, Hole .75" Dia
12	25137.0001	4	Foot, .75" O.D. x .48" HT (See item 20)
13	03771.0003	1	Cover, Trunk Extension - Rear 8.12" HT
	01315.0000	4	Screw, Truss Head #8-32 x .375"
	00917.0000	4	Fastener, J-Type #8-32
14	22297.0001	1	Panel W/Decals, Trunk (Includes items 15 & 16)
	01315.0000	6	Screw, Truss Head #8-32 x .375"
	00917.0000	6	Fastener, J-Type #8-32
15	00831.0000	1	Decal, Electrical Warning
16	00656.0000	1	Decal, Comply With Plumbing Code
17	02319.0000	2	Nut, Acorn #6-32
	01510.0000	2	Lockwasher, External Tooth #6
	01308.0000	2	Screw, Truss Head #6-32 x .25"
18	29167.0000	1	Decal, Brew Lockout
19	29206.0001	1	Decal, Diagnostics
20	24600.0000	-	Kit, Foot (Includes four feet)



## TANK ASSEMBLY

ITEM	PART NO.	QTY.	DESCRIPTION
1	20842.0000	1	Tank W/Blanket Warmer 120V (Includes items 2, 3 & 19)
	01315.0000	4	Screw, Truss Head #8-32 x .375"
	01512.0000	4	Lockwasher, External Tooth #10
2	20201.3000	1	Tank
3	04260.0000	1	Blanket Warmer, 50W 120V
4	04221.0000	1	Gasket, Tank Lid
5	29329.0000	1	Thermostat, Limit 30 amp
6	00942.0000	2	Nut, Hex .50"-20
7	20544.0000	1	Sprayhead Tube Kit (Includes 3 mounting nuts below, items 8 & 13)
	00908.0000	3	Nut, Hex #8-32
8	05515.0000	1	Gasket, Sprayhead Tube
9	20201.3103	1	Lid Assembly, Tank
	00908.0000	8	Nut, Hex #8-32
10	01075.0000	1	Nut, Hex .438"-20
11	01082.0003	1	Sprayhead, 7 Hole
12	00943.0000	2	Gasket, Tank Heater
13	05518.0000	1	Syphon Hub
14	03070.1000	1	Tank Heater, 1680W 120V (Includes Item 12)
15	20262.0000	1	Tube Assembly, Vent
16	00406.0001	1	Fitting, .375" Tube x .125" MPT
17	20254.0001	1	Bracket, Tank Mounting - Rear
	02308.0000	2	Screw, Pan Head - Serrated #8-32 x .375"
18	20254.0000	1	Bracket, Tank Mounting - Front
	02308.0000	2	Screw, Pan Head - Serrated #8-32 x .375"
19	20201.6001	1	Plug, Hex Head .25" NPT
20	12689.1000	1	Coil Assembly, Hot Water (Includes item 21)
21	12688.0000	2	Gasket, Hot Water Coil
22	12687.0000	2	Nut, Hex - Brass .562"-24
23	00400.0001	2	Elbow, Male .25" Flare x .125" MPT



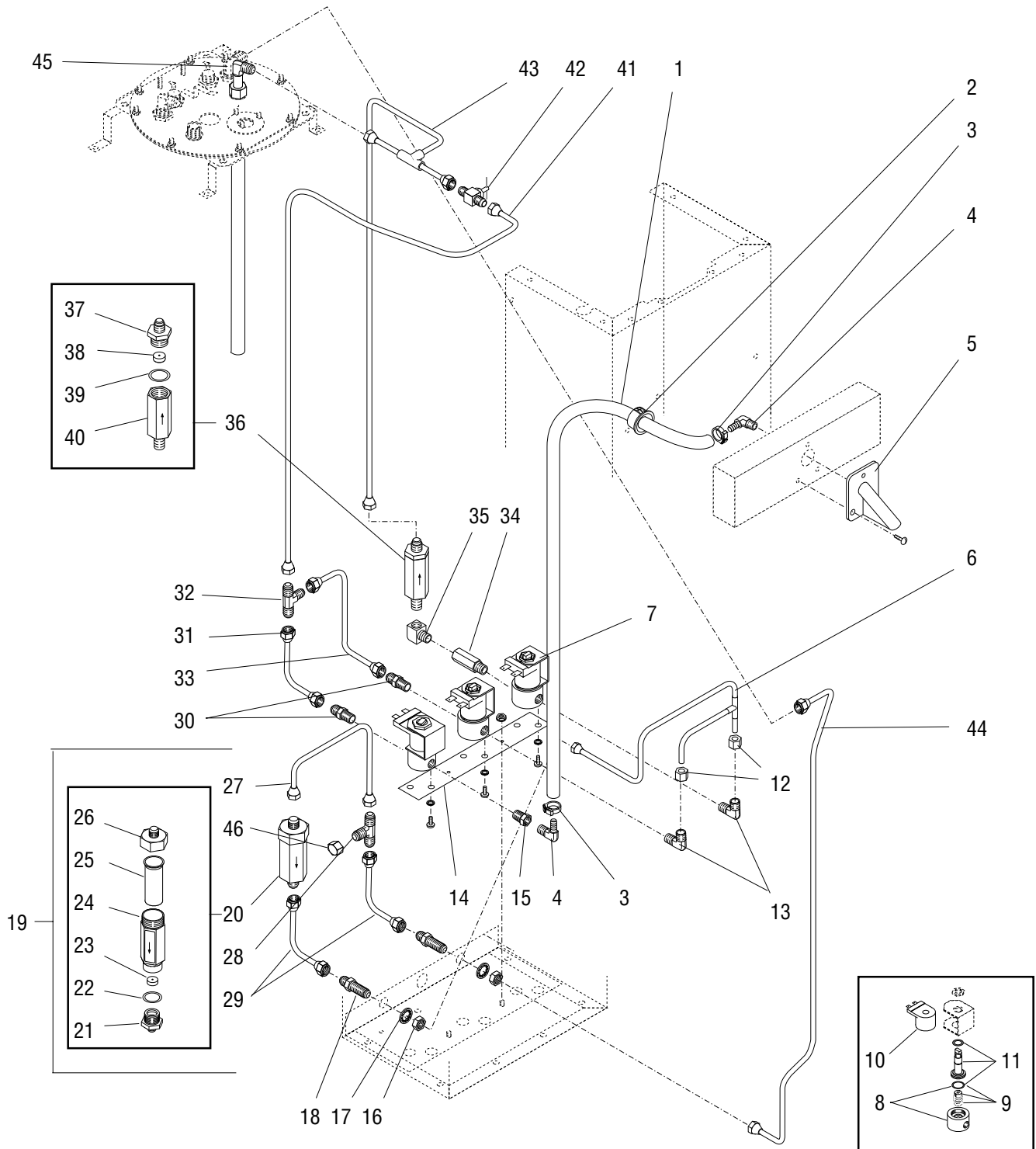


## STRAINER/FLOW CONTROL, SOLENOIDS AND LINES

ITEM	PART NO.	QTY.	DESCRIPTION
1	-----	1	Tube, Silicone, .250" I.D. x 21" LG (Order item 47)
2	01592.0000	1	Bushing, Snap 1" Dia Hole
3	12422.0000	2	Clamp, Hose - Snap Type .47"/.54" I.D.
4	00464.0001	2	Elbow, .250" Barb x .125" MPT
5	03717.0000	1	Nozzle, Dilution
	01382.0000	3	Screw, Truss Head Serrated #6-32 x .375"
6	25523.0000	1	Tube Assembly, Solenoids to Bulkhead (Includes items 12)
7	01085.0002	3	Solenoid Valve, 120V (Each includes items 8 thru 11)
	01327.0000	6	Screw, Pan Head #10-32 x .375"
	01502.0000	6	Lockwasher, Split #10
8	28479.0000	1	Base Kit (Includes O-ring)
9	01111.0002	1	Valve Repair Kit (Includes Plunger, Spring and O-ring)
10	28480.0000	1	Valve Coil, 120V
11	28481.0000	1	Guide Kit (Includes Washer and O-ring)
12	00443.0001	2	Nut/Sleeve, .250" Tube
13	20581.0001	2	Elbow Assembly, .125" MPT x .250" Tube (Includes item 12)
14	03170.0000	1	Plate, Solenoid Valve Mounting
	00970.0000	2	Nut, Keps #8-32
15	00430.0001	1	Adapter, .125 NPT Male & Female
16	00463.0000	2	Nut, Hex - Brass .438"-20
17	01532.0000	2	Lockwasher, Internal Tooth .438"
18	00459.0000	2	Fitting, Bulkhead .250" Flare
19	24368.0000	1	Strainer/Flow Control W/Tubing, .750 GPM (Includes items 20 thru 29)
20	22300.0750	1	Strainer/Flow Control, .750 GPM (Includes item 21 thru 26)
21	01154.0000	1	Fitting, Flow Control Outlet
22	01155.0000	1	Gasket, Flow Control
23	20526.1750	1	Flow Washer/Gasket Kit (.750 GPM) (Includes item 22)
24	-----	1	Body (Not Available. Order item 20)
25	23721.0000	1	Screen
26	22249.0000	1	Fitting, Flow Control Inlet
27	26280.0000	1	Tube Assembly, Tee to Strainer/Flow Control

(Continued)

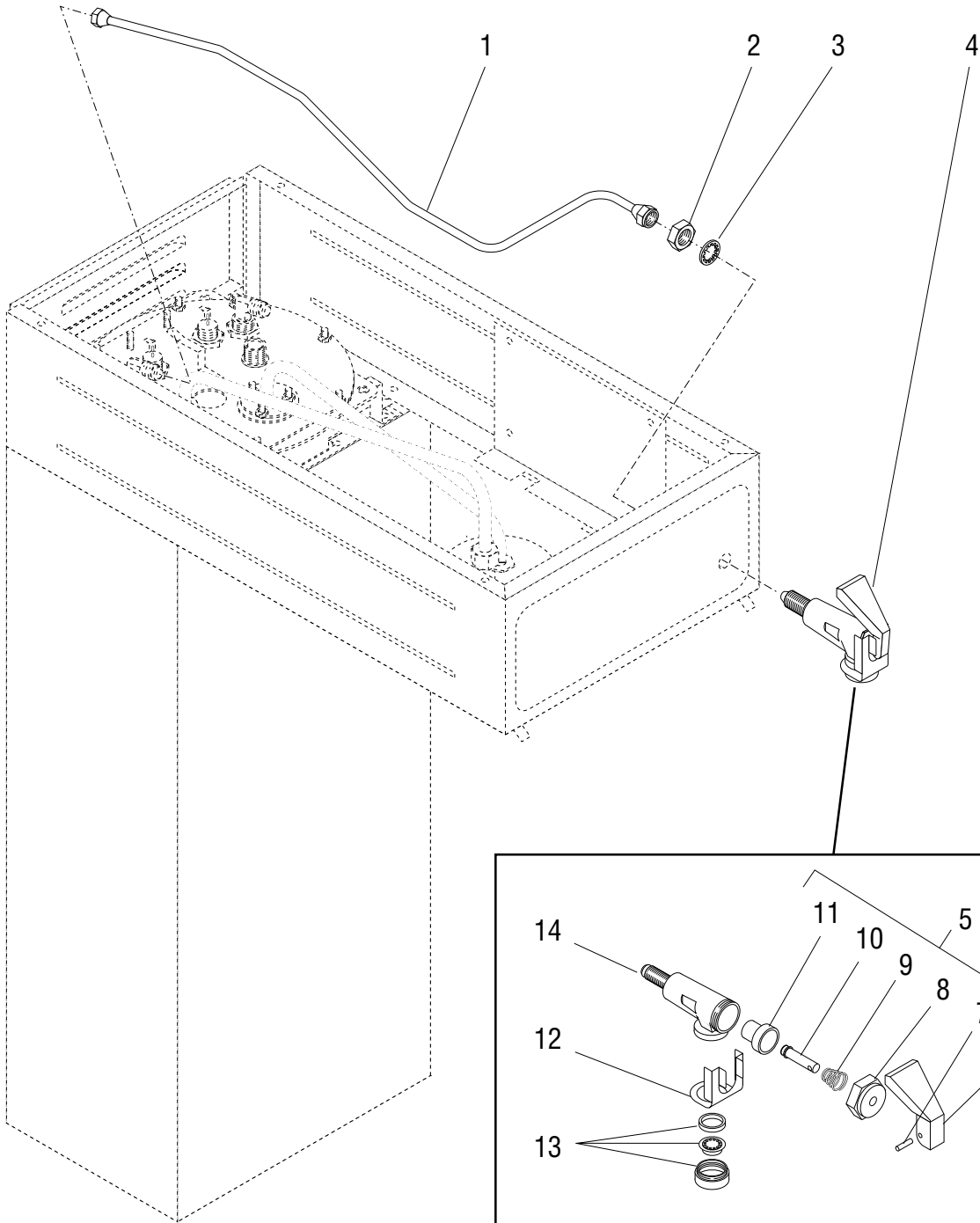
(Continued)



SOLENOID VALVE  
REPAIR PARTS

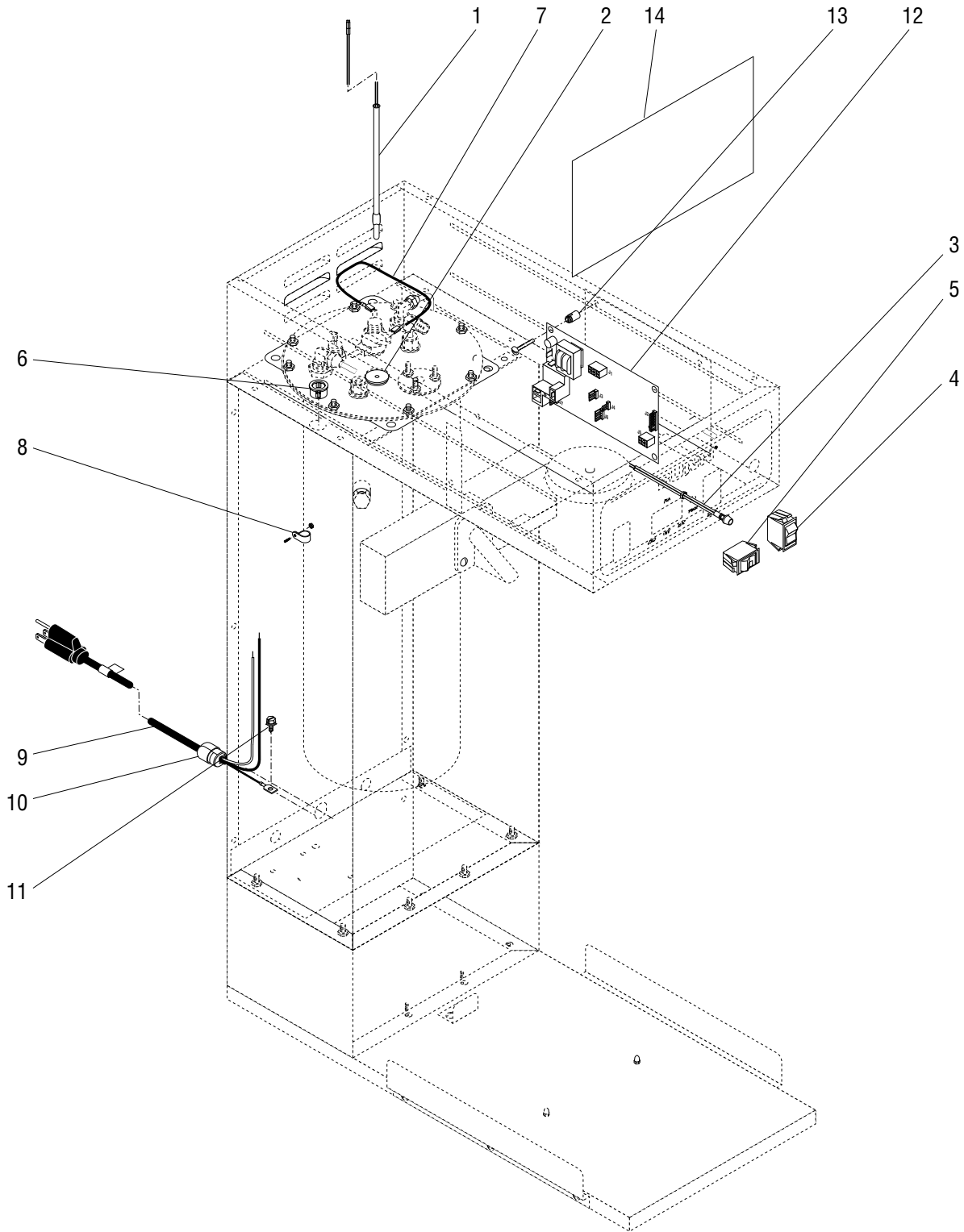
## STRAINER/FLOW CONTROL, SOLENOIDS AND LINES

ITEM	PART NO.	QTY.	DESCRIPTION
28	20577.0000	1	Tee, .250" Flare
29	21814.0016	2	Tube Assembly, Bulkhead
30	00402.0001	2	Connector, .25" Male Flare x .125" MPT
31	00310.0006	1	Tube Assembly, Dilution to Tee
32	20577.0001	1	Tee, .250" Flare
33	20628.0001	1	Tube Assembly, Tee to Iced Tea Brew Solenoid
34	00458.0001	1	Adapter, .125" MPT x .125" FPT
35	00432.0001	1	Elbow, .125" NPT Male & Female
36	20528.0195	1	Flow Control Assembly (.195 GPM) (Includes items 37 thru 40)
37	01154.0001	1	Fitting, Flow Control Outlet
38	20526.0195	1	Flow Washer/Gasket Kit (.195 GPM) (Includes item 39)
39	01155.0000	1	Gasket, Flow Control
40	-----	1	Body, Flow Control (Not Available. Order item 36)
41	20260.0000	1	Tube Assembly, Tee to Needle Valve
42	00484.0001	1	Valve, Needle .250" Flare
43	20257.0000	1	Tube Assembly, Flow Control to Tank
44	20256.0000	1	Tube Assembly, Bulkhead to Coil (Brewers W/Faucet)
45	13085.0002	1	Tube Assembly, Tank Fill
46	00935.0000	1	Cap (For Shipping Purposes only)
47	11707.1001	-	Tube, Silicone .250" I.D. x .50" O.D. x 36" LG
	11707.1002	-	Tube, Silicone .250" I.D. x .50" O.D. x 120" LG



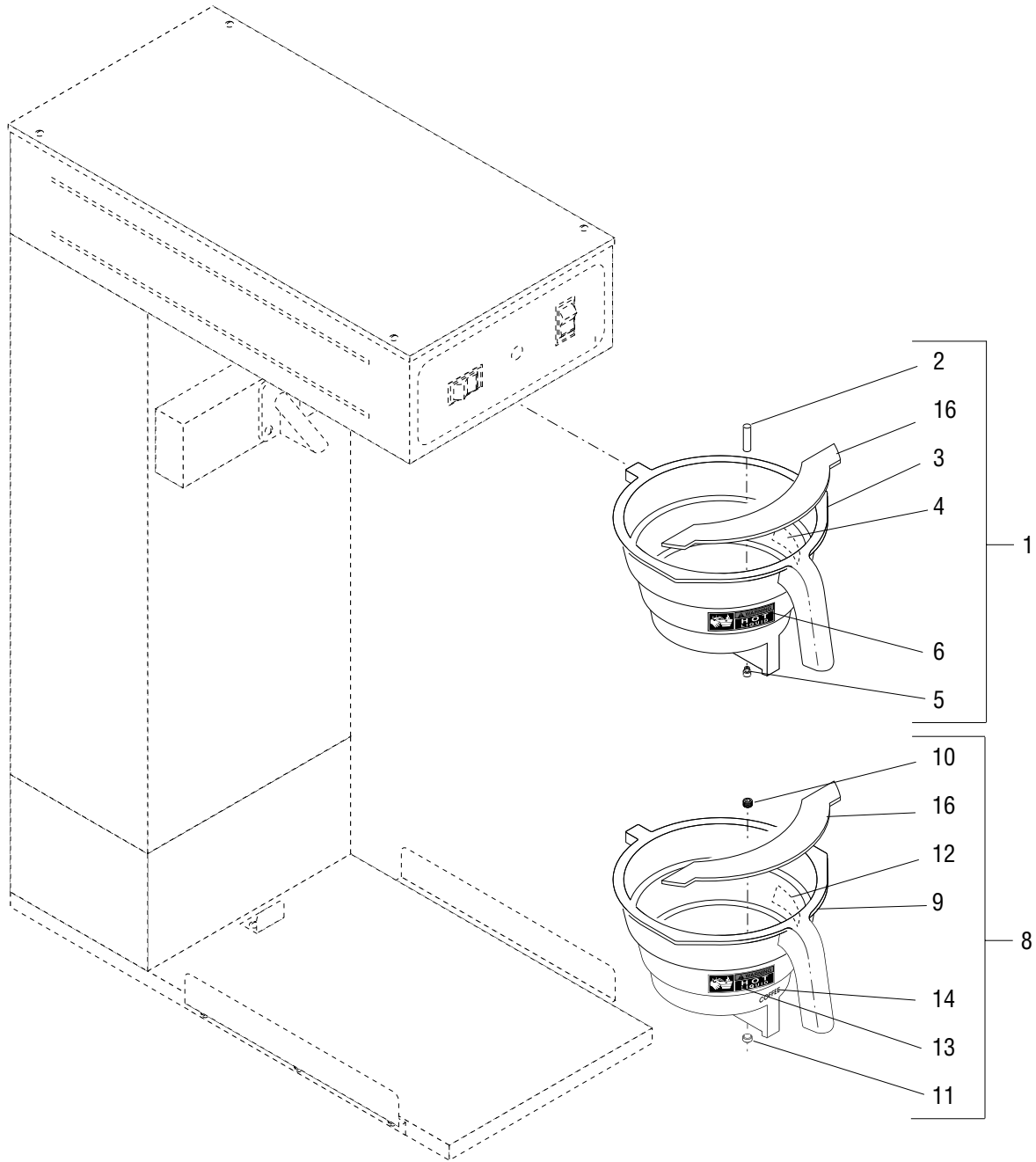
## FAUCET

ITEM	PART NO.	QTY.	DESCRIPTION
1	20274.0000	1	Tube Assy, Coil to Faucet
2	13059.0000	1	Faucet Jam Nut
3	01532.0000	1	Lockwasher, Internal Tooth .438" I.D.
4	12915.0000	1	Faucet, Hot Water (Includes items 5 thru 14)
5	13061.0000	1	Faucet Handle/Stem Assy (Includes items 6 thru 11)
6	13053.0000	1	Faucet Handle/Pin Kit (Includes item 7)
7	02858.0000	1	Pin, Spring .125" Dia. x .50"
8	13060.0000	1	Faucet Bonnet Nut
9	13055.0000	1	Faucet Spring
10	13054.0000	1	Faucet Stem
11	13056.0000	1	Faucet Seat Cup
12	13057.0000	1	Faucet Safety Clip
13	13058.0000	1	Faucet Aerator Kit
14	-----	1	Body, Faucet (Not available order item 4)



## ELECTRICAL AND OPERATING CONTROLS

ITEM	PART NO.	QTY.	DESCRIPTION
1	29327.0000	1	Kit, Temperature Probe
2	12570.0000	1	Grommet
3	12517.0001	1	LED Indicator Kit, Green
4	03358.0001	1	Switch, Start
5	03356.0001	1	Switch, ON/OFF/ON 120V
6	00614.0000	1	Bushing, .469" I.D
7	20211.0100	1	Thermal Fuse, Tank Heater to BLK Lead from Thermostat
8	00603.0000	1	Clamp, Cable
	00970.0000	1	Nut, Keps #8-32
9	01637.0000	1	Cord, Power 120V
10	00707.0000	1	Bushing, Strain Relief
11	01309.0000	1	Screw, Power Cord Ground - Pan Head W/Washer #10-32 x .50"
12	28742.0000	1	PC Control Board
	01388.0000	4	Screw, Round Head, Slotted #6-32 x .75"
13	29081.0000	4	Spacer
14	00637.0000	1	Shield
Items 15 thru 17 are not illustrated.			
15	29430.0000	1	Wiring Harness, Main 120V
16	00617.0000	2	Tie, Cable
17	-----	2	Splice, Cable (Not Serviced)





## FUNNEL ASSEMBLY

ITEM	PART NO.	QTY.	DESCRIPTION
1	03021.0004	1	Funnel Assembly, Smoke (Includes items 2 thru 6 and 16)
2	03284.0000	1	Adapter W/Screen, Funnel (See item 7)
3	-----	1	Funnel, Brew Tea - Smoke (Not Available. Order item 1)
4	03408.0000	1	Decal, Caution - Remove Funnel
5	03407.0000	1	Funnel Tip, .082" Dia (See item 7)
6	03409.0000	1	Decal, Caution - Hot Liquid
7	01037.0002	-	Funnel Tip & Screen Kit (Includes items 2 & 5)
8	03021.0007	1	Funnel Assembly, Black (Includes items 9 thru 14 and 16)
9	-----	1	Funnel, Coffee-Black (Not Available. Order item 8)
10	-----	1	Funnel Tip, Male (See item 15)
11	-----	1	Funnel Tip, Female (See item 15)
12	03408.0000	1	Decal, Caution - Remove Funnel
13	03409.0000	1	Decal, Caution - Hot Liquid
14	20269.0000	1	Decal, COFFEE
15	01031.0000	1	Funnel Tip Assy (Includes items 10 and 11)
16	32954.0000	1	Splashguard

NUMERICAL INDEX

PART NO.	PAGE NO.	PART NO.	PAGE NO.	PART NO.	PAGE NO.	PART NO.	PAGE NO.
00310.0006	11	01382.0000	5,9	12688.0000	7	24600.0000	5
00400.0001	7	01388.0000	15	12689.1000	7	25137.0001	5
00402.0001	11	01502.0000	9	12915.0000	13	25523.0000	9
00406.0001	7	01510.0000	5	13053.0000	13	26280.0000	9
00430.0001	9	01512.0000	7	13054.0000	13	28479.0000	9
00432.0001	11	01532.0000	9,13	13055.0000	13	28480.0000	9
00443.0001	9	01592.0000	9	13056.0000	13	28481.0000	9
00458.0001	11	01637.0000	15	13057.0000	13	28742.0000	15
00459.0000	9	02308.0000	5,7	13058.0000	13	29081.0000	15
00463.0000	9	02319.0000	5	13059.0000	13	29206.0001	5
00464.0001	9	02858.0000	13	13060.0000	13	29327.0000	15
00484.0001	11	03021.0004	17	13061.0000	13	29329.0000	7
00603.0000	15	03021.0007	17	13085.0002	11	29167.0000	5
00614.0000	15	03070.1000	7	20201.3000	7	29430.0000	15
00617.0000	15	03170.0000	9	20201.3103	7	29468.0000	5
00637.0000	15	03284.0000	17	20201.6001	7	32965.0000	17
00656.0000	5	03356.0001	15	20211.0100	15		
00668.0000	5	03358.0001	15	20254.0000	7		
00707.0000	15	03381.0007	5	20254.0001	7		
00831.0000	5	03407.0000	17	20256.0000	11		
00908.0000	7	03408.0000	17	20257.0000	11		
00917.0000	5	03409.0000	17	20260.0000	11		
00935.0000	11	03423.1004	5	20262.0000	7		
00942.0000	7	03717.0000	9	20268.0003	5		
00943.0000	7	03762.0003	5	20269.0000	17		
00970.0000	5,9,15	03765.0003	5	20274.0000	13		
01031.0000	17	03767.0002	5	20526.0195	11		
01037.0002	17	03770.0000	5	20526.1750	9		
01075.0000	7	03771.0003	5	20528.1195	11		
01082.0003	7	03772.0000	5	20544.0000	7		
01085.0002	9	03773.0000	5	20577.0000	11		
01111.0002	9	04221.0000	7	20577.0001	11		
01154.0000	9	04260.0000	7	20581.0001	9		
01154.0001	11	05515.0000	7	20628.0001	11		
01155.0000	9	05518.0000	7	20842.0000	7		
01155.0000	11	11707.1001	11	21814.0000	11		
01308.0000	5	11707.1002	11	22249.0000	9		
01309.0000	15	12422.0000	9	22297.0001	5		
01315.0000	5,7	12517.0001	15	22300.0750	9		
01317.0003	5	12570.0000	15	23721.0000	9		
01327.0000	9	12687.0000	7	24368.0000	9		