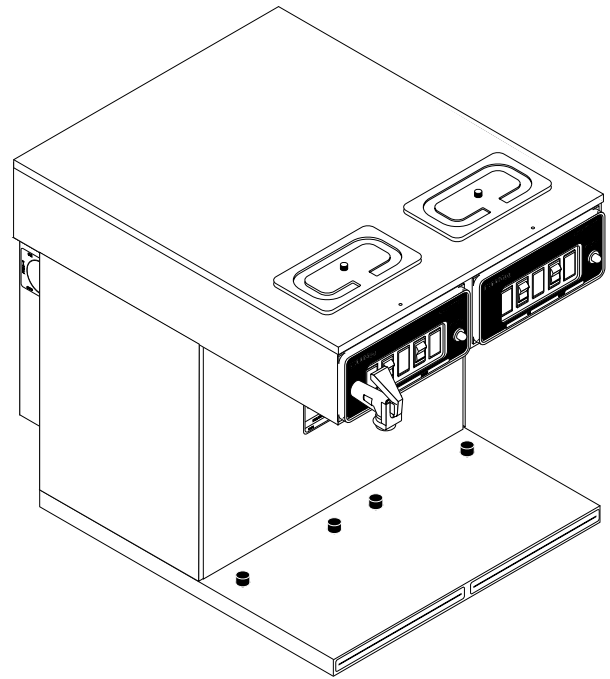
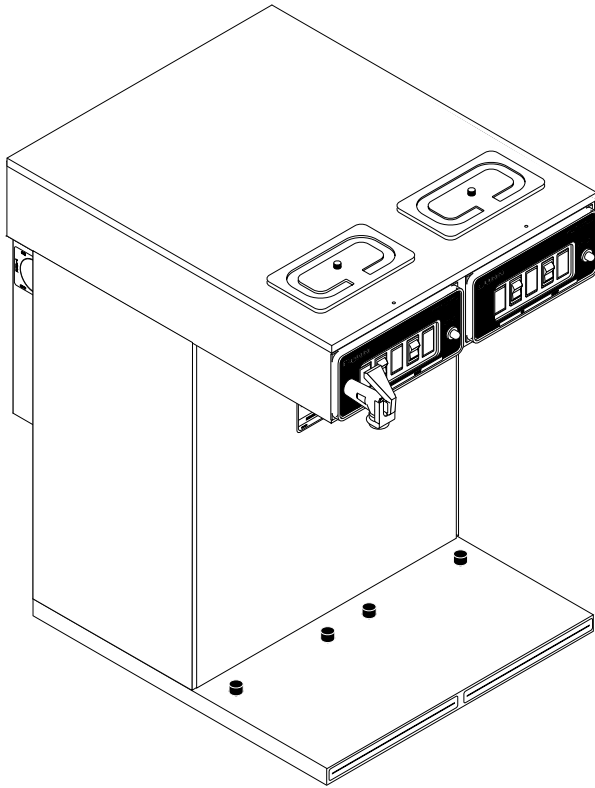


BUNN®

CWTF TWIN-APS, TWIN-TC



ILLUSTRATED PARTS CATALOG

Designs, materials, weights, specifications, and dimensions for equipment or replacement parts are subject to change without notice.

BUNN-O-MATIC CORPORATION

POST OFFICE BOX 3227

SPRINGFIELD, ILLINOIS 62708-3227

PHONE: (217) 529-6601 FAX: (217) 529-6644

BUNN-O-MATIC COMMERCIAL PRODUCT WARRANTY

Bunn-O-Matic Corp. ("BUNN") warrants equipment manufactured by it as follows:

- 1) All equipment other than as specified below: 2 years parts and 1 year labor.
- 2) Electronic circuit and/or control boards: parts and labor for 3 years.
- 3) Compressors on refrigeration equipment: 5 years parts and 1 year labor.
- 4) Grinding burrs on coffee grinding equipment to grind coffee to meet original factory screen sieve analysis: parts and labor for 3 years or 30,000 pounds of coffee, whichever comes first.

These warranty periods run from the date of installation BUNN warrants that the equipment manufactured by it will be commercially free of defects in material and workmanship existing at the time of manufacture and appearing within the applicable warranty period. This warranty does not apply to any equipment, component or part that was not manufactured by BUNN or that, in BUNN's judgment, has been affected by misuse, neglect, alteration, improper installation or operation, improper maintenance or repair, damage or casualty. This warranty is conditioned on the Buyer 1) giving BUNN prompt notice of any claim to be made under this warranty by telephone at (217) 529-6601 or by writing to Post Office Box 3227, Springfield, Illinois 62708-3227; 2) if requested by BUNN, shipping the defective equipment prepaid to an authorized BUNN service location; and 3) receiving prior authorization from BUNN that the defective equipment is under warranty.

THE FOREGOING WARRANTY IS EXCLUSIVE AND IS IN LIEU OF ANY OTHER WARRANTY, WRITTEN OR ORAL, EXPRESS OR IMPLIED, INCLUDING, BUT NOT LIMITED TO, ANY IMPLIED WARRANTY OF EITHER MERCHANTABILITY OR FITNESS FOR A PARTICULAR PURPOSE. The agents, dealers or employees of BUNN are not authorized to make modifications to this warranty or to make additional warranties that are binding on BUNN. Accordingly, statements by such individuals, whether oral or written, do not constitute warranties and should not be relied upon.

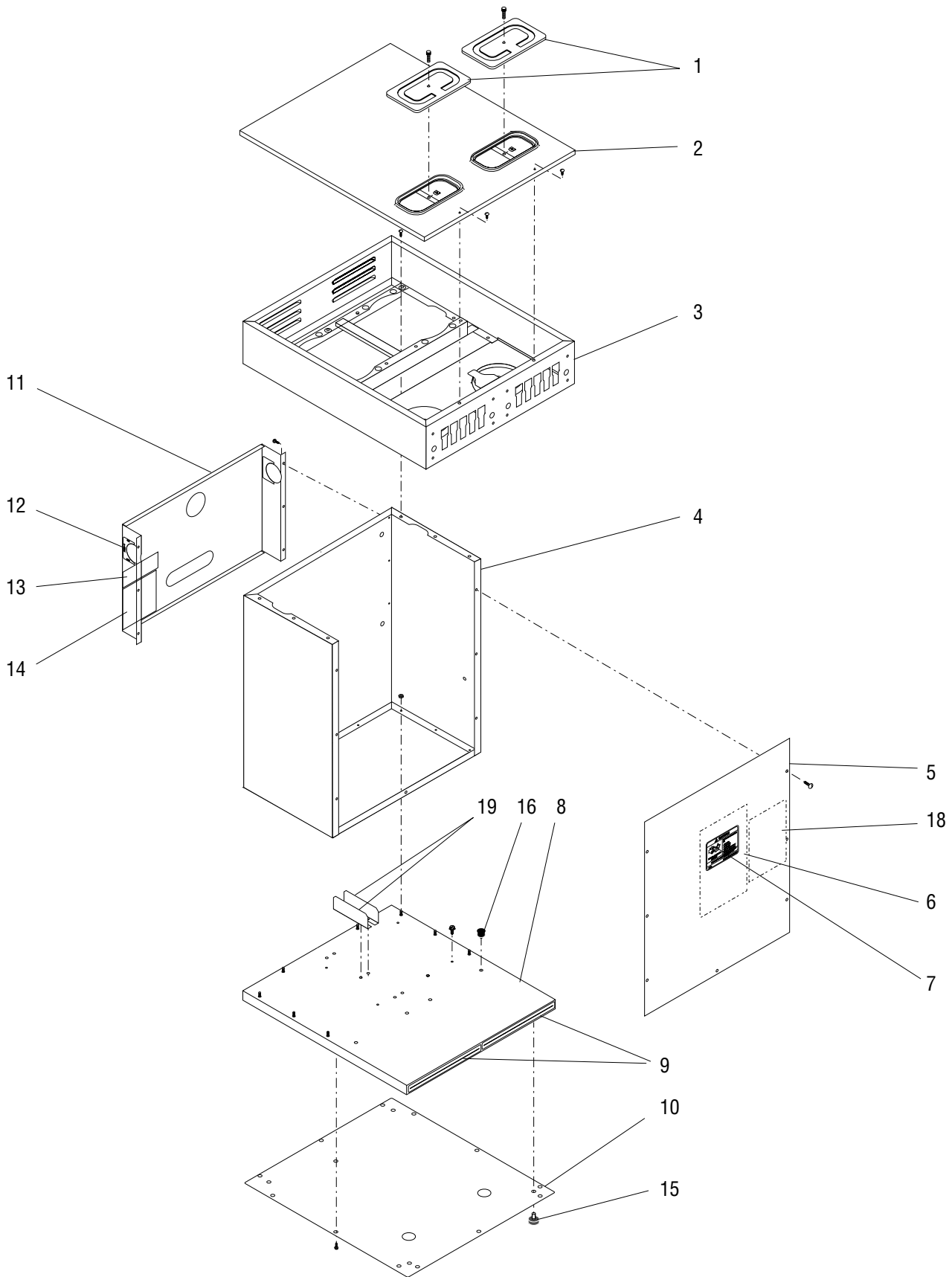
If BUNN determines in its sole discretion that the equipment does not conform to the warranty, BUNN, at its exclusive option while the equipment is under warranty, shall either 1) provide at no charge replacement parts and/or labor (during the applicable parts and labor warranty periods specified above) to repair the defective components, provided that this repair is done by a BUNN Authorized Service Representative; or 2) shall replace the equipment or refund the purchase price for the equipment.

THE BUYER'S REMEDY AGAINST BUNN FOR THE BREACH OF ANY OBLIGATION ARISING OUT OF THE SALE OF THIS EQUIPMENT, WHETHER DERIVED FROM WARRANTY OR OTHERWISE, SHALL BE LIMITED, AT BUNN'S SOLE OPTION AS SPECIFIED HEREIN, TO REPAIR, REPLACEMENT OR REFUND.

In no event shall BUNN be liable for any other damage or loss, including, but not limited to, lost profits, lost sales, loss of use of equipment, claims of Buyer's customers, cost of capital, cost of down time, cost of substitute equipment, facilities or services, or any other special, incidental or consequential damages.

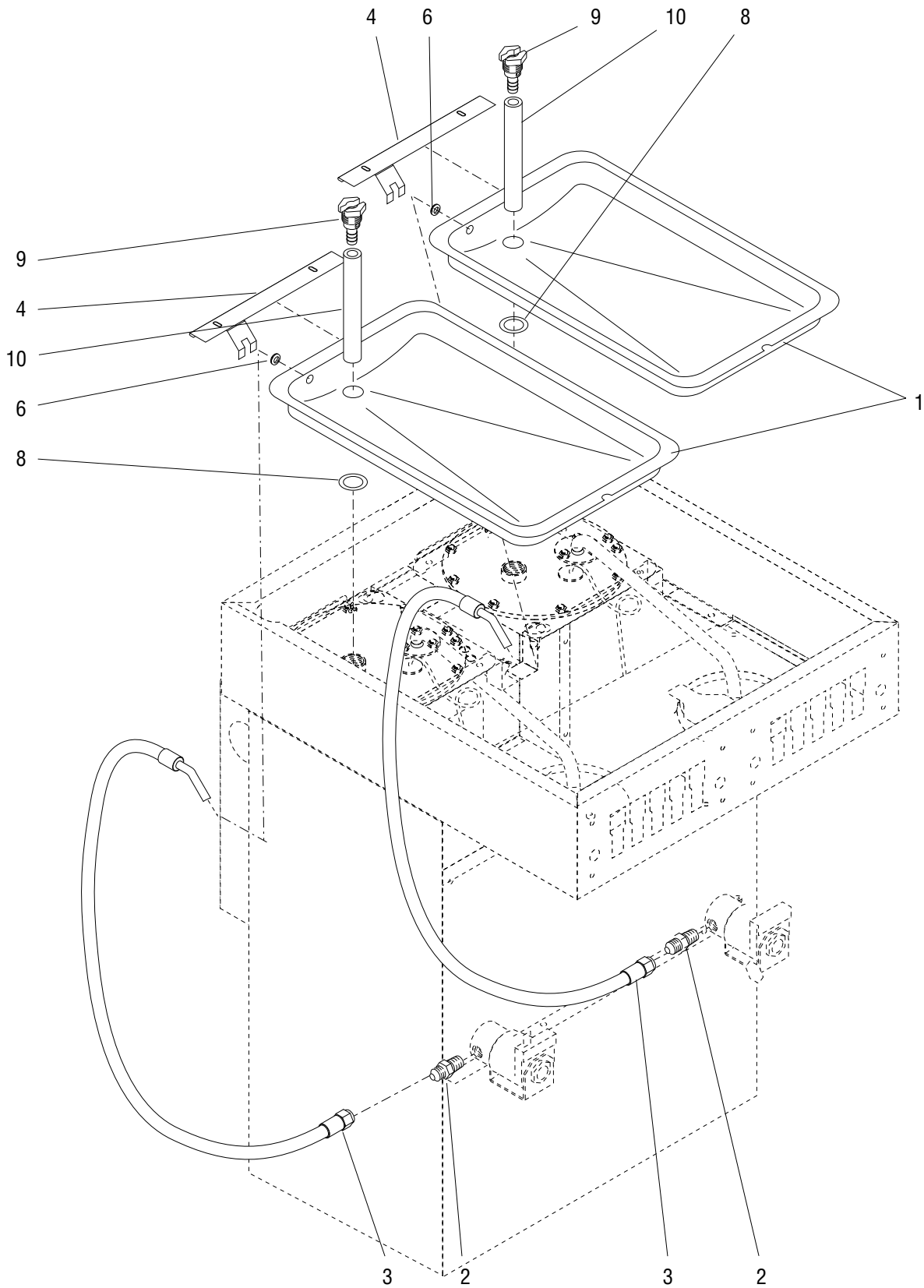
TABLE OF CONTENTS

Electrical and Operating Controls	16
Faucet and Tubing	14
Funnels and Filter Basket	20
Fill Basin and Lines	6
Hood, Trunk, Covers and Base	4
Numerical Index	22
Strainer, Flow Control, Solenoid and Lines	12
Tank and Components without Faucet	8
Tank and Components with Faucet	10



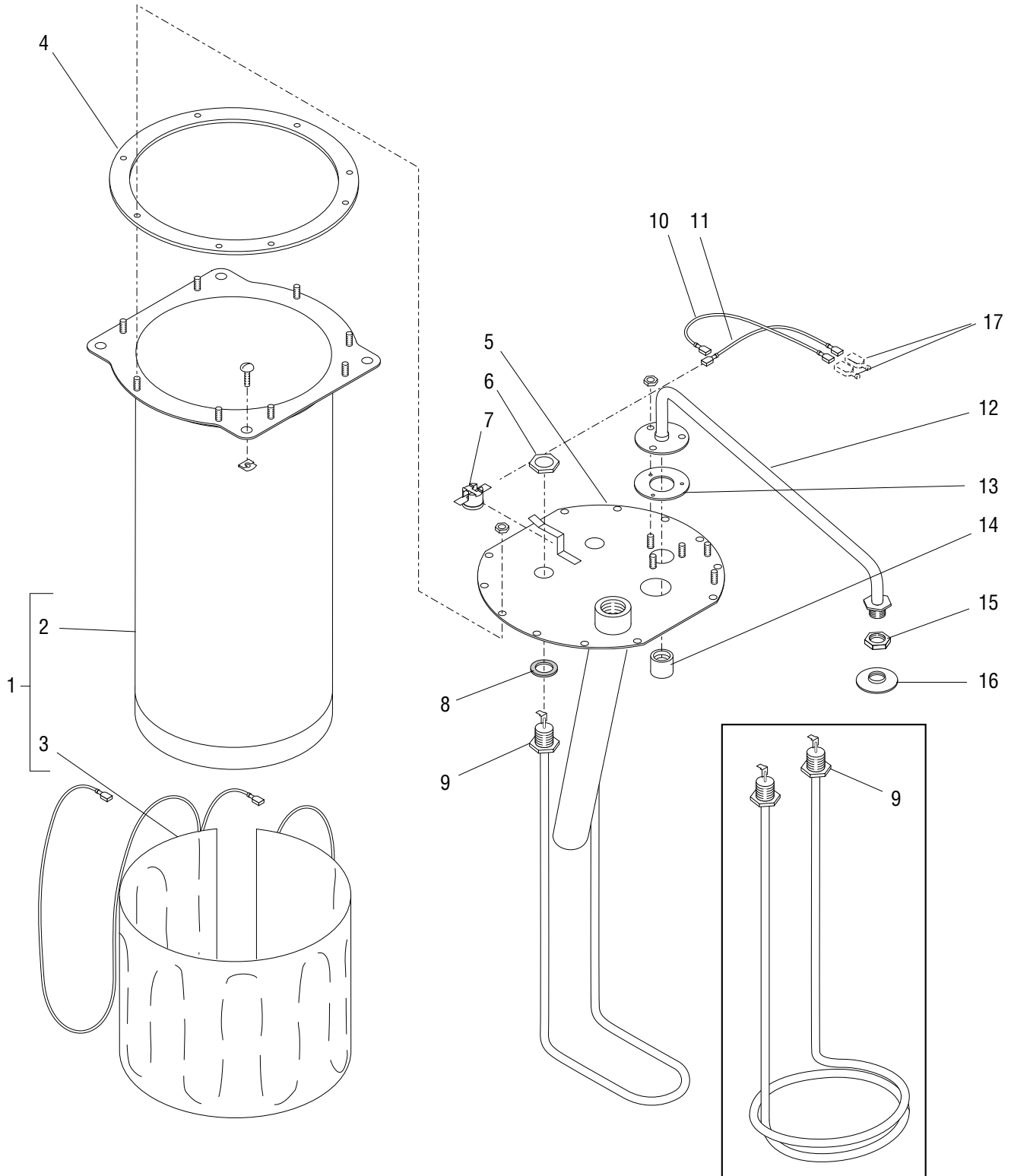
HOOD, TRUNK, COVERS AND BASE

ITEM	PART NO.	QTY.	DESCRIPTION
1	02722.0000	2	Lid, Pour-In
	01319.0000	2	Screw, Thumb #8-32 x .75"
	00912.0000	2	Fastener, J-Type #8-32
2	24251.0002	1	Cover, Top SST
	24251.0004	1	Cover, Top BLK
	01303.0000	2	Screw, Pan Head, SST #4-40 x .50"
	01303.0002	2	Screw, Pan Head, BLK #4-40 x .50"
	00916.0000	2	Fastener, J-Type #4-40
3	23232.0001	1	Housing, Hood SST
	23232.0004	1	Housing, Hood BLK
	02308.0000	6	Screw, Pan Head-Serrated #8-32 x .38"
4	26285.0000	1	Trunk SST
	26285.0001	1	Trunk BLK
	26285.0002	1	Trunk SST (Used on models TWIN-TC)
	00970.0000	8	Nut, Keps #8-32
5	26412.0000	1	Panel W/Decals, Trunk SST (Includes items 6 & 7)(Also order item 18)
	26412.0001	1	Panel W/Decals, Trunk BLK (Includes items 6 & 7)(Also order item 18)
	26412.0002	1	Panel W/Decals, Trunk SST (Includes items 6 & 7)(Also order item 18) (Used on models TWIN-TC)
	01315.0000	7	Screw, Truss Head SST #8-32 x .38"
	02322.0002	7	Screw, Truss Head BLK #8-32 x .38"
6	10736.0000	1	Schematic, Electrical 120/240V
7	00658.0000	1	Decal, Caution-Decanter/Funnel
8	26413.0000	1	Housing W/Decals, Base SST (Includes item 9)
	26413.0001	1	Housing W/Decals, Base BLK (Includes item 9)
	02308.0000	4	Screw, Pan Head 8 - 32 x .375"
9	22306.0000	2	Decal, Decorative Strip
10	12667.0001	1	Cover, Base
	02332.0002	4	Screw, Hex-Crimptite #6 x .38"
11	23270.0000	1	Cover Assy W/Decals SST (Includes items 12, 13 and 14)
	23270.0002	1	Cover Assy W/Decals BLK (Includes items 12, 13 and 14)
	02332.0002	6	Screw, Hex-Crimptite #6 x .38"
12	24213.0000	1	Decal, ON/OFF (Includes left & right decal)
13	00656.0000	1	Decal, Comply to Plumbing Code
14	00831.0000	1	Decal, Warning-Electrical
15	25137.0001	4	Foot, Rubber (See item 17)
16	00754.0001	4	Foot/Locator
17	24600.0000	-	Foot Kit (Set of four feet)
18	32540.0000	1	Decal, Batch Set (Digital Timer) (Late Models)
19	26953.0000	2	Guard, Wiring (Used on models TWIN-TC)
	02308.0000	4	Screw, Pan Head Sltd. #8 - 32 x .38"



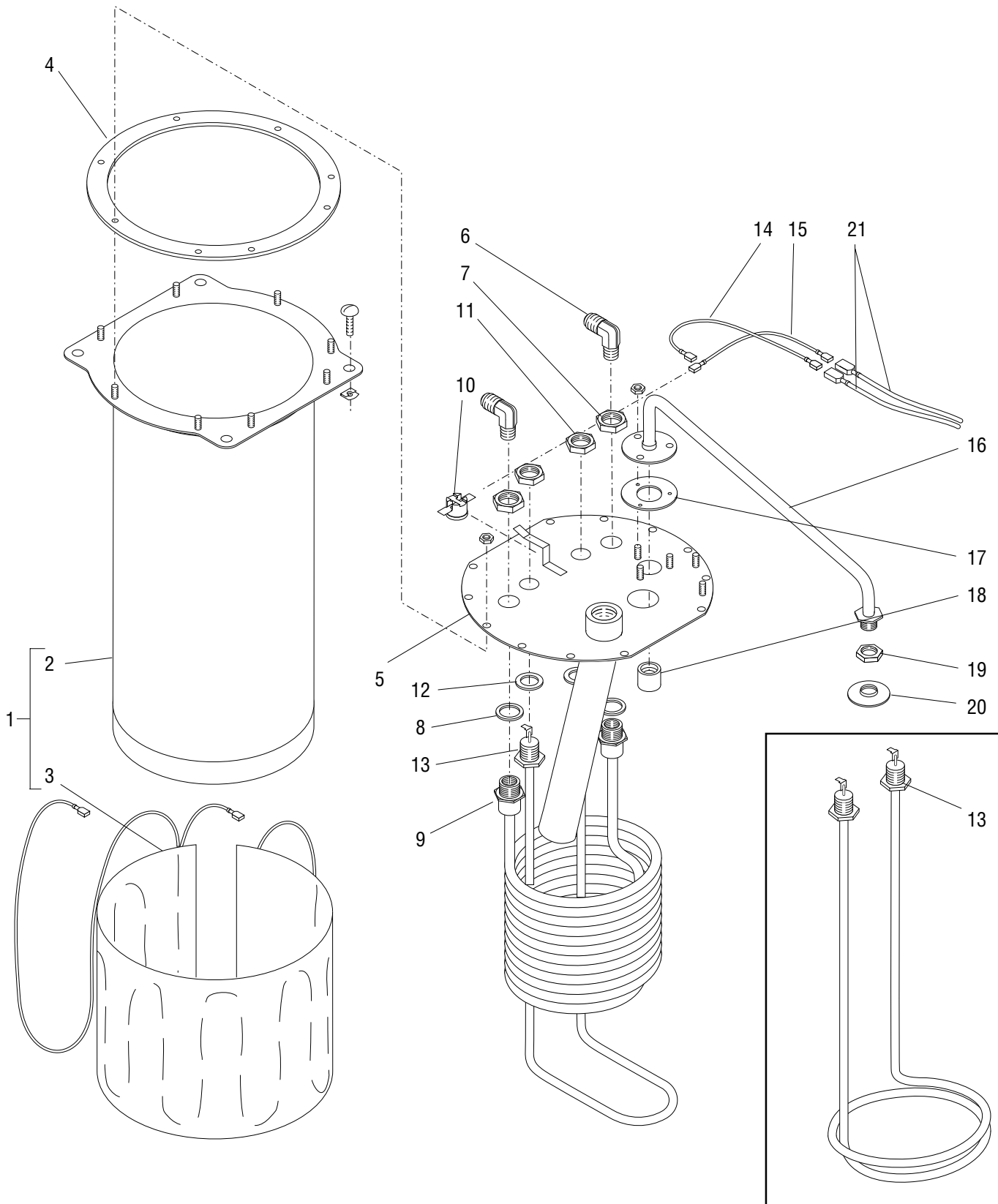
FILL BASIN AND LINES

ITEM	PART NO.	QTY.	DESCRIPTION	
1	04270.0002	2	Fill Basin	
2	00402.0001	2	Connector, .250" Flare x .125" MPT	
3	12914.0002	2	Tube Assy, Solenoid to Fill Basin (Includes item 6)	
4	27514.0000	2	Plate, Splash Guard	
5	01212.0000	2	Fitting, Tank Inlet (Early models)	
6	12928.0000	2	Grommet, Pour-In Basin	
7	01540.0000	2	Washer, .75" I.D. x 1" O.D.	
8	01201.0000	2	Gasket, Tank Inlet	
9	32063.0000	2	Fitting, Tank Inlet	} Late models
10	-----	2	Tube, Silicone .313" I.D. x 4.0" (Order item 11)	
11	28526.1000	-	Tube, Silicone .313" I.D. x 12.0" (Cut to required length)	



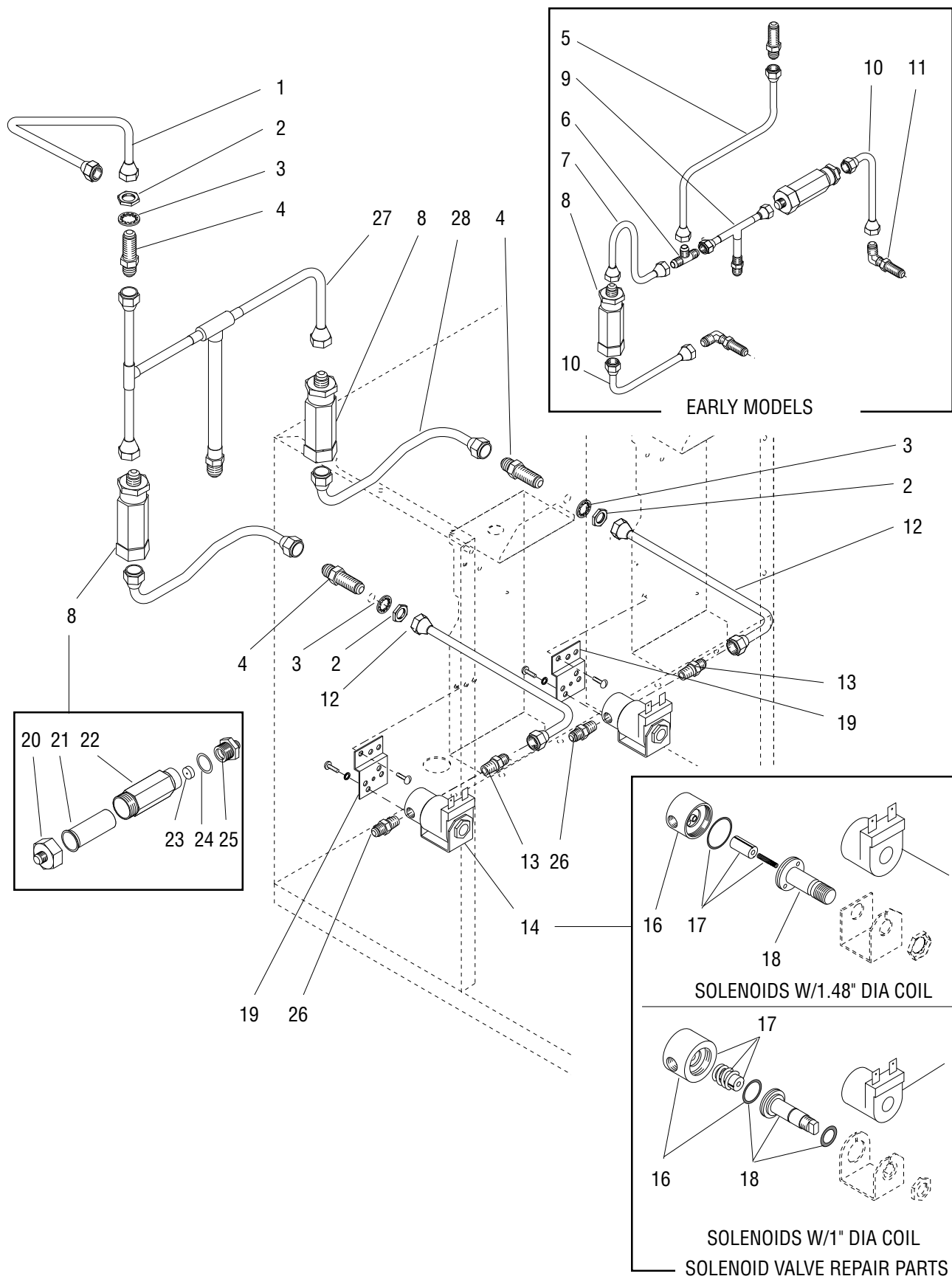
TANK AND COMPONENTS W/OUT FAUCET

ITEM	PART NO.	QTY.	DESCRIPTION
-	25319.1010	1	Tank Assy, 3000W 120/240V (Includes items 1 thru 14)
	01315.0000	4	Screw, Truss Head #8-32 x .3/8"
1	04119.0000	1	Tank W/Blanket Warmer, 120V
	04133.0000	1	Tank W/Blanket Warmer, 220V
]— Includes items 2 & 3
2	04118.0000	1	Tank
3	04260.0000	1	Blanket Warmer, 50W 120V
	01927.0000	1	Blanket Warmer, 50W 220V
4	04221.0000	1	Gasket, Tank Lid
5	25158.0002	1	Tank Lid Weldment
	00908.0000	8	Nut, Hex #8-32
6	00942.0000	2	Nut, Hex .50"-20
7	29329.1000	1	Thermostat, Limit
8	00943.0000	2	Gasket, Tank Heater
9	23930.1000	1	Tank Heater, 3000W 240V (Includes item 8)
10	23769.0000	1	Lead, Electrical BLK (Thermostat to Heater)
11	23768.0000	1	Lead, Electrical BLU(Thermostat to Limit Thermostat)
12	11431.0002	1	Sprayhead Tube Kit (Includes 3 mounting nuts below & items 15 & 16)
	00908.0000	3	Nut, Hex #8-32
13	05515.0000	1	Gasket, Sprayhead Tube
14	05518.0000	1	Hub, Syphon
15	01075.0000	1	Nut, Hex .438" - 20
16	01082.0000	1	Sprayhead, 6-Hole
17	-----	-	Thermostat Leads (See Electrical and Operating Controls)



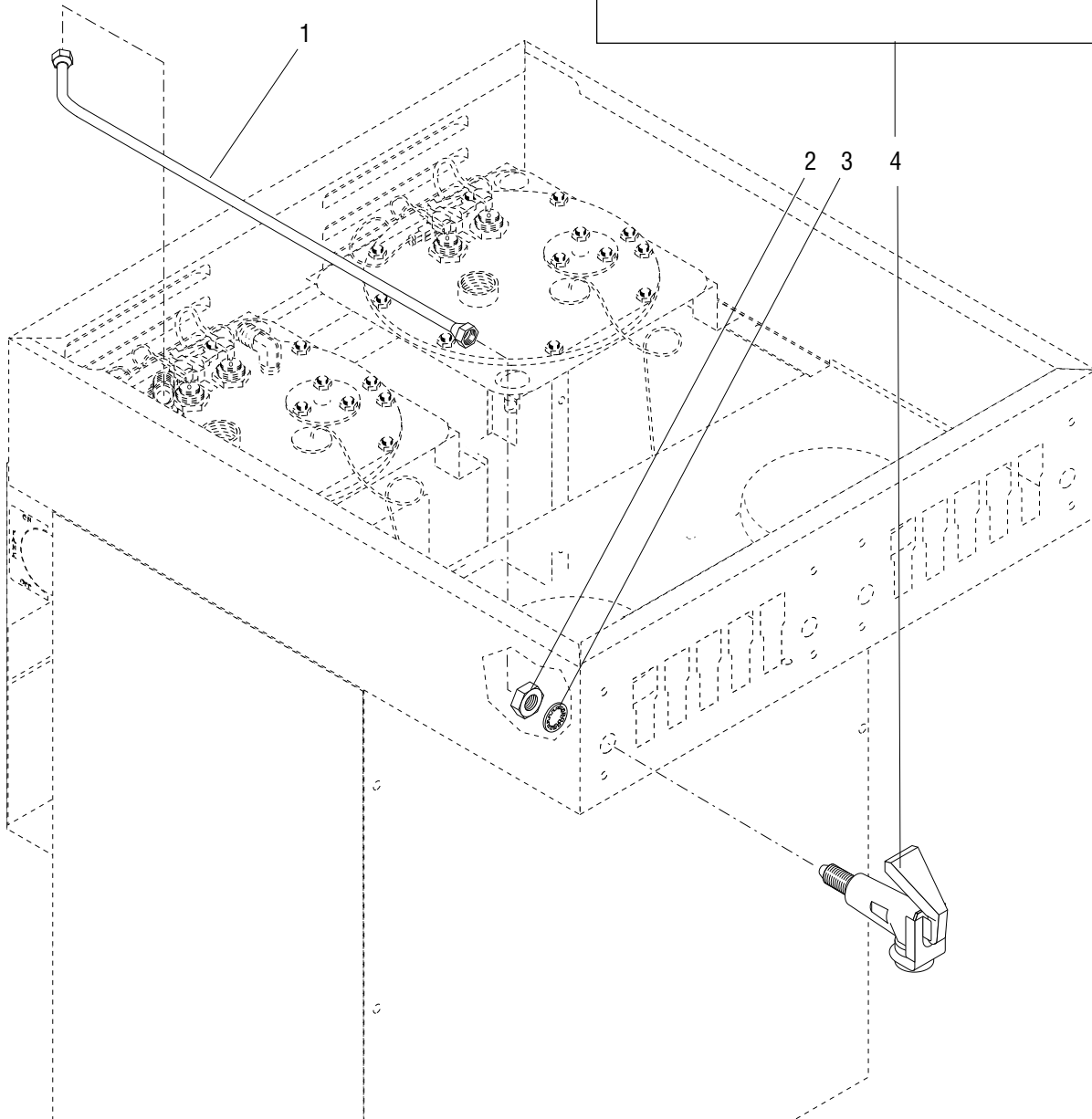
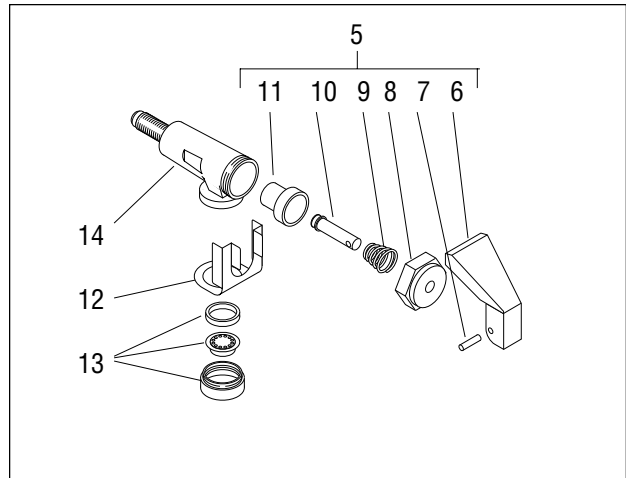
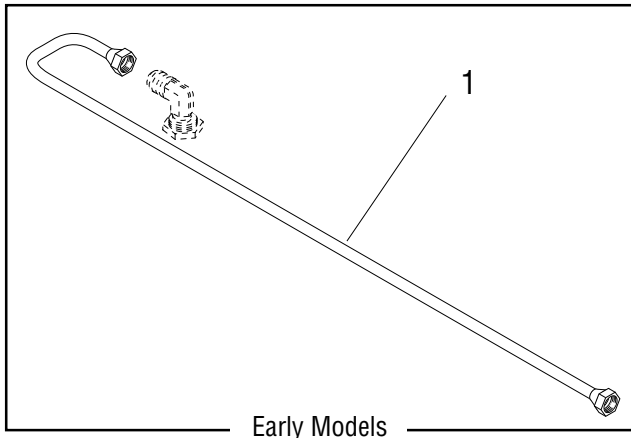
TANK AND COMPONENTS W/FAUCET

ITEM	PART NO.	QTY.	DESCRIPTION
-	25320.1007	1	Tank Assy, 3000W 120/240V (Includes items 1 thru 18)
	01315.0000	4	Screw, Truss Head #8-32 x .38 "
1	04119.0000	1	Tank W/Blanket Warmer, 120V (Includes items 2 & 3)
2	04118.0000	1	Tank
3	04260.0000	1	Blanket Warmer, 50W 120V
	01927.0000	1	Blanket Warmer, 50W 220V
4	04221.0000	1	Gasket, Tank Lid
5	25158.0003	1	Tank Lid Weldment
	00908.0000	8	Nut, Hex #8-32
6	00400.0001	2	Elbow, Male .250" Flare x .125" MPT
7	12687.0000	2	Nut, Hex .562"-24 (Water Coil)
8	12688.0000	2	Gasket, Water Coil
9	12689.1000	1	Coil Assy, Hot Water (Includes item 8)
10	29329.1000	1	Thermostat, Limit
11	00942.0000	2	Nut, Hex .50"-20 (Tank Heater)
12	00943.0000	2	Gasket, Tank Heater
13	23930.1000	1	Tank Heater, 3000W 240V (Includes item 12)
	24217.1000	1	Tank Heater, 1800W 230V (Includes item 12)
14	20211.0100	1	Thermal Safety Fuse (Thermostat to Heater)
15	23768.0000	1	Lead, Electrical (Thermostat to Limit
16	11431.0002	1	Sprayhead Tube Kit (Includes 3 mounting nuts below & items 17 & 18)
	00908.0000	3	Nut, Hex #8-32
17	05515.0000	1	Gasket, Sprayhead tube
18	05518.0000	1	Hub, Syphon
19	01075.0000	1	Nut, Hex .438"-20
20	01082.0000	1	Sprayhead, 6-Hole
21	-----	-	Thermostat Leads (See Electrical and Operating Controls)



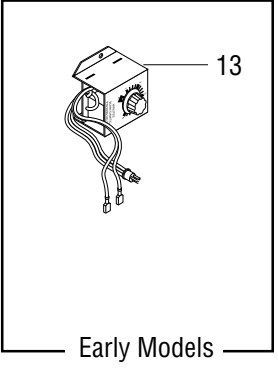
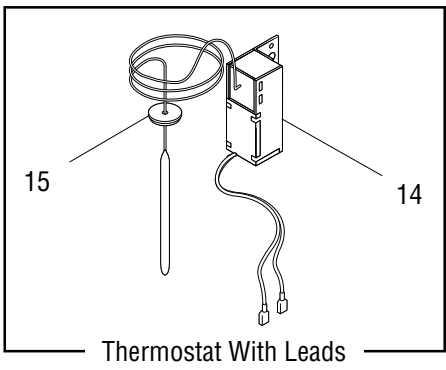
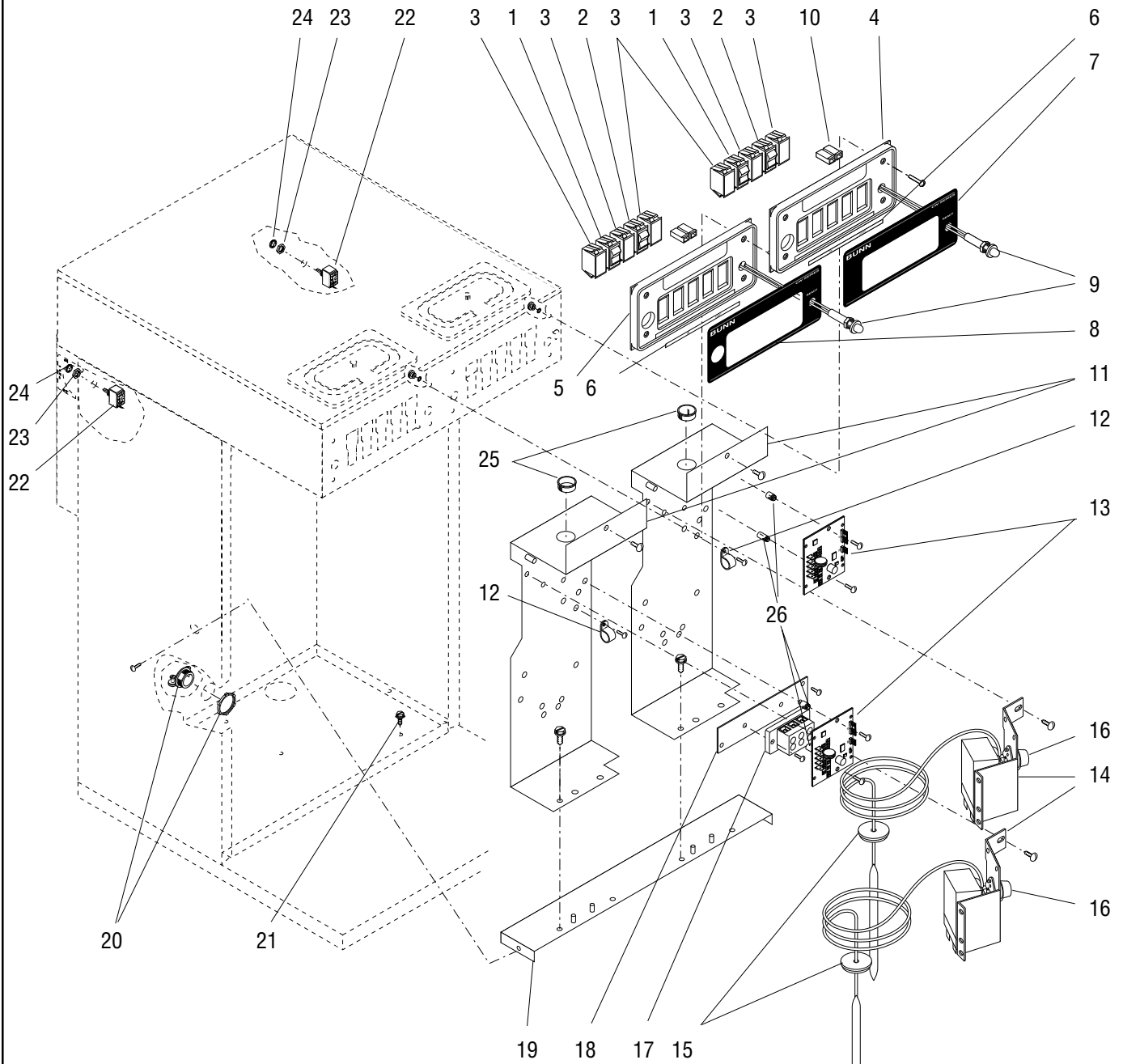
STRAINER - FLOW CONTROL - SOLENOID AND LINES

ITEM	PART NO.	QTY.	DESCRIPTION
1	23413.0000	1	Tube Assy, Bulkhead to Coil
2	00463.0000	3	Nut, Hex .438"-20
3	01532.0000	3	Lockwasher, Internal Tooth .438" I.D.
4	00459.0000	3	Fitting, Bulkhead .250" Flare (Two less used on Early Models)
5	26301.0000	1	Tube Assy, Tee to Bulkhead (Early Models)
6	20577.0001	1	Tee .250" Flare (Early Models)
7	26318.0000	1	Tube Assy, Tee to Left Strainer/Flow Control (Early Models)
8	22300.0222	2	Strainer/Flow Control Assy .22 GPM (Includes items 20 thru 25)
9	24220.0000	1	Tube Assy (Early Models)
10	21814.0011	2	Tube Assy, Strainer/Flow Control to Bulkhead Fittings (Early Models)
11	23924.0000	2	Fitting, 90° Bulkhead .250" Flare (Early Models)
12	21814.0008	2	Tube Assy, Bulkhead Fittings to Solenoid Valve
13	00402.0001	2	Connector .250" Flare x .125" MPT
14	-----	2	Solenoid Valve, 120V - 1.48" Dia Coil (Not Available. Order 01085.0002)
	01085.0002	2	Solenoid Valve, 120V - 1" Dia Coil
	01975.0000	2	Solenoid Valve, 240V
	01327.0000	4	Screw, Pan Head #10-32 x .38"
	01502.0000	4	Lockwasher, Split #10
15	01101.0000	1	Solenoid Valve Coil, 120V - 1.48" Dia Coil
	28480.0000	1	Solenoid Valve Coil, 120V - 1" Dia Coil
	01100.0000	1	Solenoid Valve Coil, 240V
16	01079.0000	1	Solenoid Valve Base - 1.48" Dia Coil
	28479.0000	1	Solenoid Valve Base Kit - 1" Dia Coil (Includes O-ring)
17	01111.0000	1	Solenoid Valve Repair Kit - 1.48" Dia Coil (Includes Plunger Seal and Spring)
	01111.0002	1	Solenoid Valve Repair Kit - 1" Dia Coil (Includes Plunger, Spring and O-ring)
18	01116.0000	1	Guide - 1.48" Dia Coil
	28481.0000	1	Guide Kit - 1" Dia Coil (Includes Washer and O-ring)
19	07441.0000	2	Bracket, Solenoid Mounting
	02308.0000	4	Screw, Pan Head #8.32 x .38"
20	22249.0000	1	Fitting, Flow Control Inlet
21	23721.0000	1	Screen
22	-----	1	Body (Not Serviced. Order Item 8)
23	20526.1222	1	Flow Washer/Gasket Set, .22 GPM (Includes item 24)
24	01155.0000	1	Gasket, Flow Control
25	01154.0000	1	Fitting, Flow Control Outlet
26	-----	2	Fitting (See Fill Basin & Lines)
27	33637.0000	1	Tube Assy, Manifold (Late Models)
28	33643.0000	2	Tube (Late Models)



FAUCET AND TUBING

ITEM	PART NO.	QTY.	DESCRIPTION
1	20691.0001	1	Tube Assy, Coil to Faucet (Early Models)
	20691.0000	1	Tube Assy, Coil to Faucet (Late Models)
2	13059.0000	1	Faucet Jam Nut
3	01532.0000	1	Lockwasher, Internal Tooth .438" I.D.
4	12915.0000	1	Faucet, Hot Water (Includes items 5 thru 14)
5	13061.0000	1	Faucet Handle/Stem Assy (Includes items 6 thru 11)
6	13053.0000	1	Faucet Handle Kit (Includes item 7)
7	02858.0000	1	Pin, Spring .125" Dia. x .50"
8	13060.0000	1	Faucet Bonnet Nut
9	13055.0000	1	Faucet Spring
10	13054.0000	1	Faucet Stem
11	13056.0000	1	Faucet Seat Cup
12	13057.0000	1	Faucet Safety Clip
13	13058.0000	1	Faucet Aerator Kit
14	-----	1	Body, Faucet (Not available order item 4)

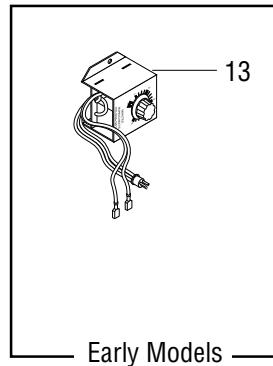
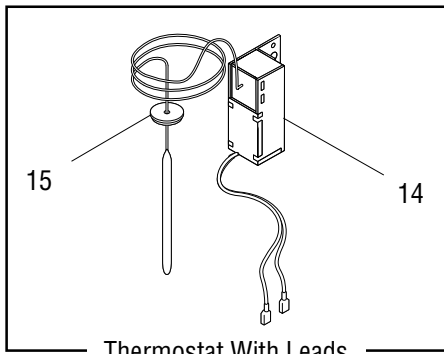
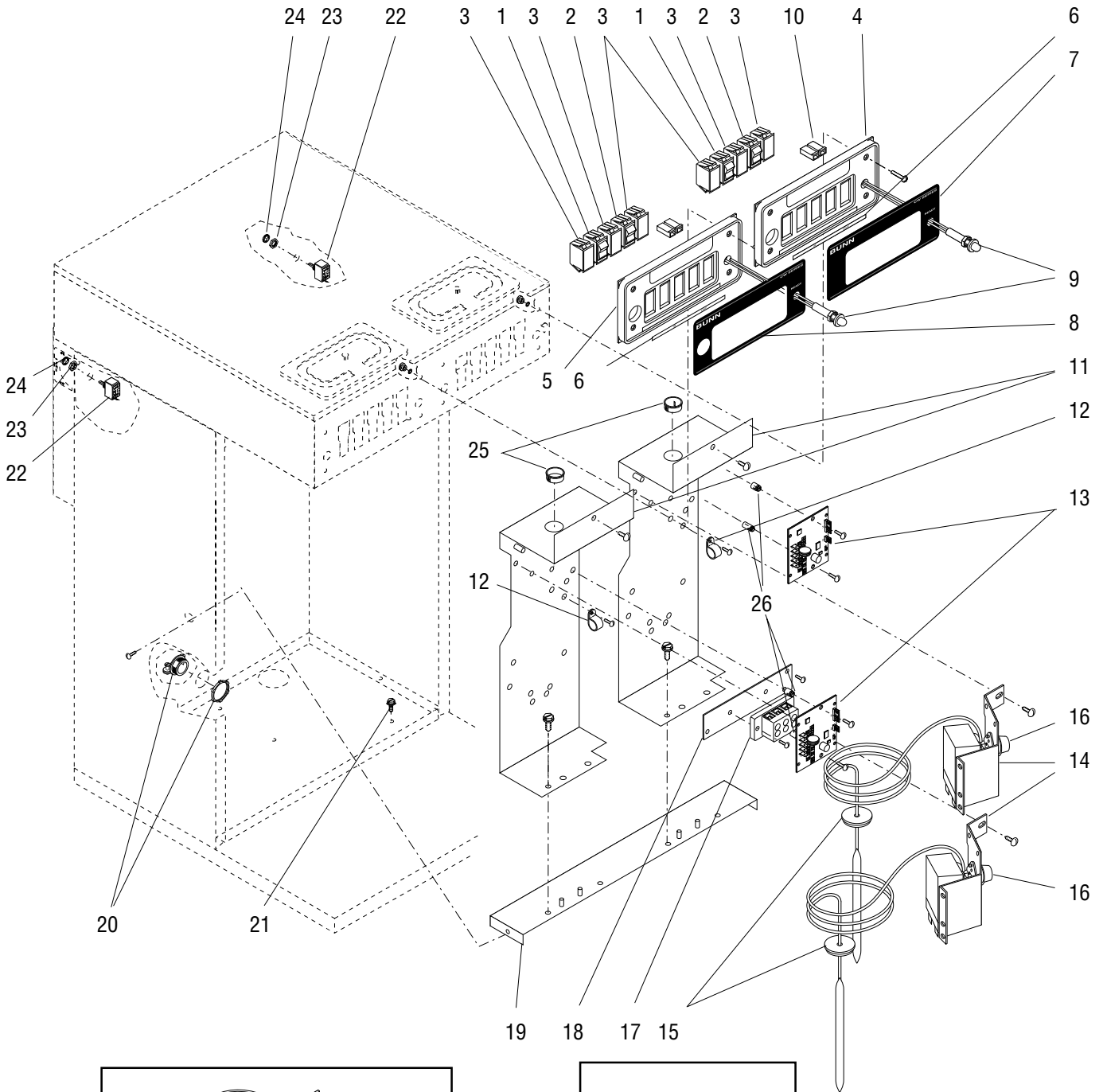


ELECTRICAL AND OPERATING CONTROLS

ITEM	PART NO.	QTY.	DESCRIPTION
1	12920.0000	2	Switch, On/Off 120V
	12920.0002	2	Switch, On/Off 240V
2	01063.0000	2	Switch, Momentary Start
3	12921.0000	6	Switch Blank
4	23227.1001	1	Control Panel/Decal (Includes item 6 & 7)
	02301.0000	4	Screw, Phillip Pan Head #6-32 x .625"
	01510.0000	4	Lockwasher, External Tooth #6
	02371.0000	4	Thumb Nut, Knurled # 6-32
	00973.0000	4	Nut, Keps #6-32 (Late Brewers)
			} Early Brewers
5	23227.1002	1	Control Panel W/Decal (Includes item 6 & 8)
	02301.0000	4	Screw, Phillip Pan Head #6-32 x .625"
	01510.0000	4	Lockwasher, External Tooth #6
	02371.0000	4	Thumb Nut, Knurled #6-32
	00973.0000	4	Nut, Keps #6-32 (Late Brewers)
			} Early Brewers
6	22295.0011	2	Label, Switch On/Start
7	22289.0001	1	Decal, Control Panel (Ready Light)
8	22289.0003	1	Decal, Control Panel (Ready Light & Faucet)
9	12984.0004	2	Light Assy, 240V (Includes item 10)
10	04243.0000	4	Terminal Housing, Receptacle
11	12698.0000	2	Bracket Assy, Component Mounting
	01347.0000	2	Screw, Truss Head #6-32 x .375" (Early models)
	02308.0000	2	Screw, Pan Head #8-32 x .375" (Late models)
	01330.0000	2	Screw, Hex Head Serrated #10 x .375"
12	05920.0000	2	Clamp, Wiring Harness
	02308.0000	2	Screw, Pan Head #8-32 x .38"
13	-----	2	Timer, 5 Min. 120V (Early Models, Order item 32)
	32400.0002	2	Timer, Digital 120V (Late Models)
	32400.0003	2	Timer, Digital 240V (Late Models)
	02308.0000	2	Screw, Pan Head # 8-32 x .375"(Early Models)
	01320.0000	4	Screw, Round Head #8-32 x 1.0" (Late Models)
	12919.0008	2	Cap, Terminal (Not illustrated)
14	04314.0001	2	Thermostat Kit, 120V (Includes items 15 & 16) (Thermostat W/ Terminals)
	28319.0000	2	Thermostat Kit, 120V (Includes items 15, 16 & 28) (This Kit Converts Thermostats W/Leads to Thermostats W/Terminals)
	02308.0000	2	Screw, Pan Head #8-32 x .375"
	20762.0000	4	Screw, Binding Head #8-32 x .25" (Thermostats W/Terminals)
15	07073.0000	2	Grommet, Thermostat
16	00720.0000	2	Knob, Thermostat (Thermostat W/Terminals only)
17	07038.0000	1	Terminal Block, 3 Pole Red/White/Black
	01106.0001	1	Terminal Block, 2 Pole Red/Black
	01317.0000	2	Screw, Truss Head #8-32 x .50"

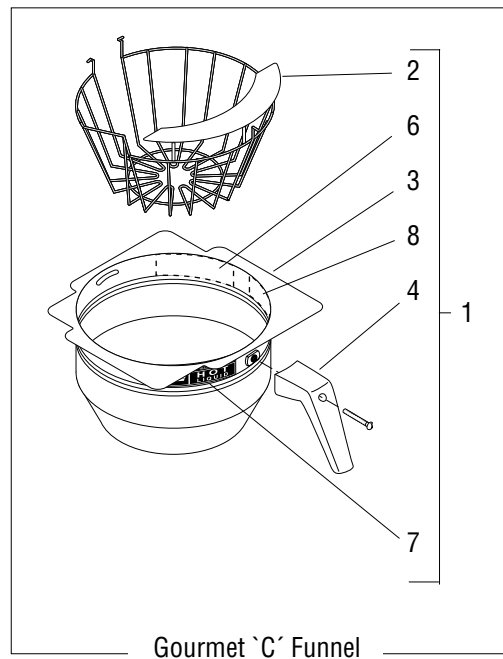
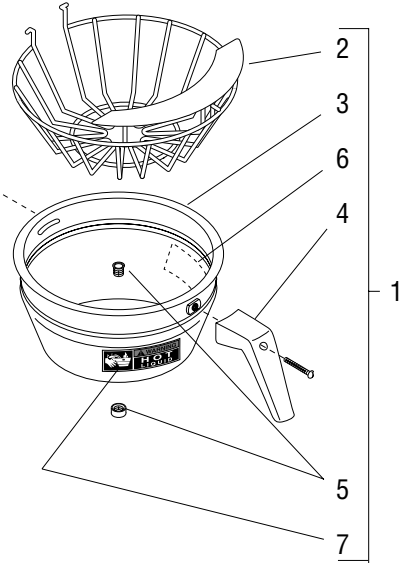
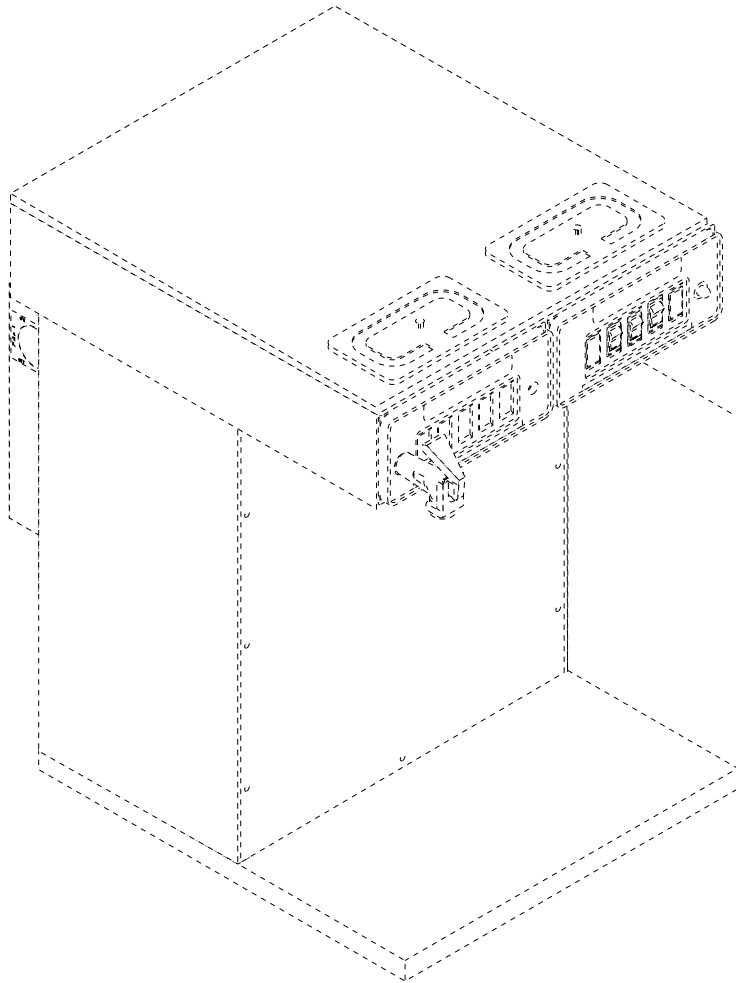
(Continued)

(Continued)



ELECTRICAL AND OPERATING CONTROLS

ITEM	PART NO.	QTY.	DESCRIPTION	
18	23376.0000	1	Bracket, Terminal Block Mounting	
	02308.0000	3	Screw, Pan Head, #8-32 x .38"	
19	26287.0000	1	Bracket, Component Bracket Mounting	
	02308.0000	2	Screw, Pan Head #8-32 x .375"	
20	01590.0000	1	Connector, Cable	
21	01309.0000	1	Ground Screw W/Terminal Washer 10-32 x .50"	
22	23522.0000	2	Switch, On/Off Toggle (Includes item 22)	
23	23696.0000	2	Facenut, Hex.	
24	23697.0000	2	Facenut, Plastic	
25	00606.0000	2	Bushing, Snap .875" Dia	
26	32530.0000	2	Spacer .31" (Early Model Timer)	
	32530.0001	4	Spacer .50" (2 less used W/Early Model Timer)	
27	29445.0000	2	Wiring Harness, Digital Timer (Late Models)	<div style="display: flex; align-items: center;"> <div style="border-left: 1px solid black; border-right: 1px solid black; border-top: 1px solid black; border-bottom: 1px solid black; width: 100px; height: 100px; margin-right: 10px;"></div> <p>Not Illustrated</p> </div>
28	23989.0000	1	Wiring Harness, Main 120V/240V	
	23990.0001	1	Wiring Harness, Main 230V	
29	12985.0000	2	Wiring Harness, Ready Light	
30	25347.0000	2	Wiring Harness, Thermostat (Mech. Thermostat W/Terminals)	
31	12919.0000	13	Cap, Terminal Cover - BLK (As Required)	
32	32400.0000	-	Timer Kit, Digital 120V (Replaces Early Model with Digital Timer)	
	32400.0001	-	Timer Kit, Digital 240V (Replaces Early Model with Digital Timer)	



FUNNEL AND FILTER BASKET

ITEM	PART NO.	QTY.	DESCRIPTION
1	20217.0000	2	Funnel, SST W/Black Handle (7.625" Dia.)(Includes items 2 thru 5)
	34559.0001	2	Funnel, Gourmet `C`, SST (7.625" dia.)(Includes items 2,3,4,6,7 & 8)
2	33090.0000	1	Filter Basket
	34546.0000	1	Filter Basket, Gourmet `C`
3	28554.0000	1	Funnel, SST (Includes items 6 & 7)
	34558.0000	1	Funnel, Gourmet `C`, SST
4	20244.1000	1	Funnel Handle Kit, Black (Includes Handle and Screw)
	01331.0002	1	Screw, Round Head #10-32 x 1.50
5	01031.0000	1	Funnel Tip Kit
6	03408.0002	1	Decal, Warning-Remove Funnel
7	03409.0002	1	Decal, Warning-Hot Liquid
8	28694.0000	1	Decal, Warning-Hot Liquid/Remove Funnel

NUMERICAL INDEX

PART NO.	PAGE NO.	PART NO.	PAGE NO.	PART NO.	PAGE NO.	PART NO.	PAGE NO.
00400.0001	11	02722.0000	5	22289.0003	17	32063.0000	7
00402.0001	7,13	02858.0000	15	22295.0011	17	32400.0000	19
00459.0000	13	03408.0002	21	22300.0222	13	32400.0001	19
00463.0000	13	03409.0002	21	22306.0000	5	32400.0002	17
00606.0000	19	04118.0000	9,11	23227.1001	17	32400.0003	17
00656.0000	5	04119.0000	9,11	23227.1002	17	32530.0000	19
00658.0000	5	04133.0000	9	23232.0001	5	32530.0001	19
00720.0000	17	04221.0000	9,11	23232.0004	5	32540.0000	5
00754.0001	5	04243.0000	17	23270.0000	5	33090.0000	21
00831.0000	5	04260.0000	9,11	23270.0002	5	33637.0000	13
00908.0000	9,11	04270.0002	7	23376.0000	19	33643.0000	13
00912.0000	5	04314.0001	17	23413.0000	13	34546.0000	21
00916.0000	5	05515.0000	9,11	23522.0000	19	34558.0000	21
00942.0000	9,11	05518.0000	9,11	23696.0000	19	34559.0001	21
00943.0000	9,11	05920.0000	17	23697.0000	19		
00970.0000	5	07038.0000	17	23721.0000	13		
00973.0000	17	07073.0000	17	23768.0000	9,11		
01031.0000	21	07441.0000	13	23769.0000	9		
01063.0000	17	10736.0000	5	23924.0000	13		
01075.0000	9,11	11431.0002	9,11	23930.1000	9,11		
01079.0000	13	12667.0001	5	23989.0000	19		
01082.0000	9,11	12687.0000	11	23990.0001	19		
01085.0002	13	12688.0000	11	24213.0000	5		
01100.0000	13	12689.1000	11	24217.1000	11		
01101.0000	13	12698.0000	17	24220.0000	13		
01106.0001	17	12914.0002	7	24251.0002	5		
01111.0000	13	12915.0000	15	24251.0004	5		
01111.0002	13	12919.0000	19	24600.0000	5		
01116.0000	13	12919.0008	17	25137.0001	5		
01154.0000	13	12920.0000	17	25158.0002	9		
01155.0000	13	12920.0002	17	25158.0003	11		
01201.0000	7	12921.0000	17	25319.1010	9		
01212.0000	7	12928.0000	7	25320.1007	11		
01303.0000	5	12984.0004	17	25347.0000	19		
01303.0002	5	12985.0000	19	26285.0000	5		
01309.0000	19	13053.0000	15	26285.0001	5		
01315.0000	5,9,11	13054.0000	15	26285.0002	5		
01317.0000	17	13055.0000	15	26287.0000	19		
01319.0000	5	13056.0000	15	26301.0000	13		
01320.0000	17	13057.0000	15	26318.0000	13		
01327.0000	13	13058.0000	15	26412.0000	5		
01330.0000	17	13059.0000	15	26412.0001	5		
01331.0002	21	13060.0000	15	26412.0002	5		
01347.0000	17	13061.0000	15	26413.0000	5		
01502.0000	13	20211.0100	11	26413.0001	5		
01510.0000	17	20217.0000	21	26953.0000	5		
01532.0000	13,15	20244.1000	21	27514.0000	7		
01540.0000	7	20526.1222	13	28319.0000	17		
01590.0000	19	20577.0001	13	28479.0000	13		
01927.0000	9,11	20691.0000	15	28480.0000	13		
01975.0000	13	20691.0001	15	28481.0000	13		
02301.0000	17	20762.0000	17	28526.1000	7		
02308.0000	5,13,17,19	21814.0008	13	28554.0000	21		
02322.0000	5	21814.0011	13	28694.0000	21		
02332.0002	5	22249.0000	13	29329.1000	9,11		
02371.0000	17	22289.0001	17	29445.0000	19		