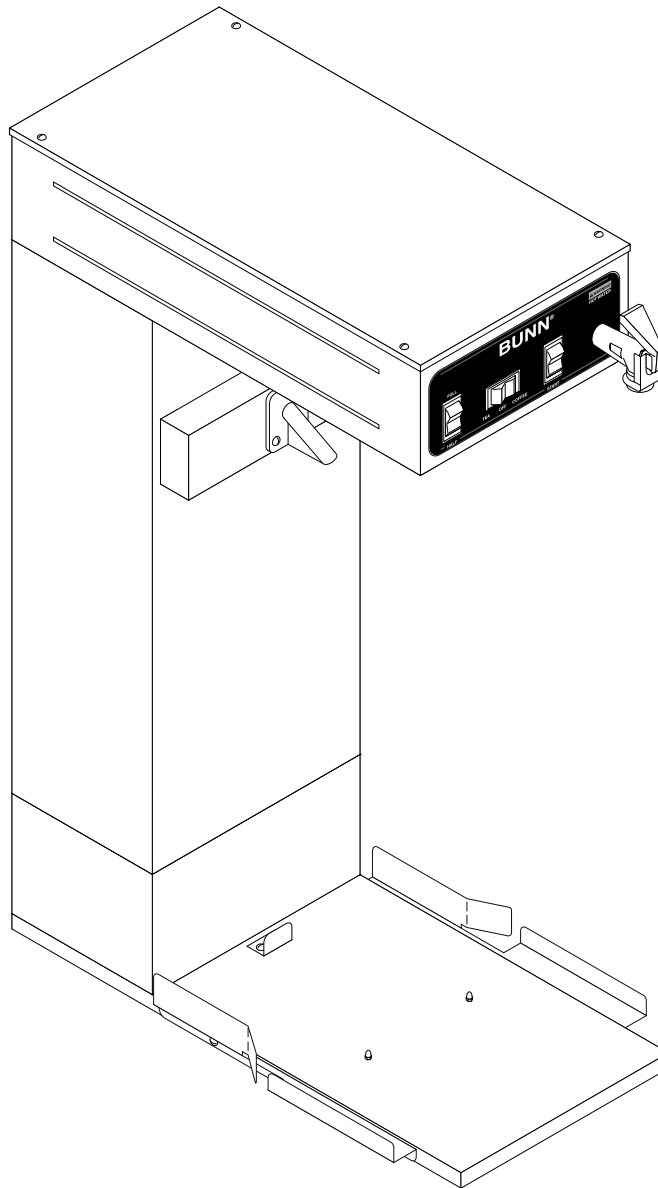


BUNN®

TW

TWF



ILLUSTRATED PARTS CATALOG

Designs, materials, weights, specifications, and dimensions for equipment or replacement parts are subject to change without notice.

BUNN-O-MATIC CORPORATION

POST OFFICE BOX 3227

SPRINGFIELD, ILLINOIS 62708-3227

PHONE: (217) 529-6601 FAX: (217) 529-6644

BUNN-O-MATIC COMMERCIAL PRODUCT WARRANTY

Bunn-O-Matic Corp. ("BUNN") warrants equipment manufactured by it as follows:

- 1) All equipment other than as specified below: 2 years parts and 1 year labor.
- 2) Electronic circuit and/or control boards: parts and labor for 3 years.
- 3) Compressors on refrigeration equipment: 5 years parts and 1 year labor.
- 4) Grinding burrs on coffee grinding equipment to grind coffee to meet original factory screen sieve analysis: parts and labor for 3 years or 30,000 pounds of coffee, whichever comes first.

These warranty periods run from the date of installation BUNN warrants that the equipment manufactured by it will be commercially free of defects in material and workmanship existing at the time of manufacture and appearing within the applicable warranty period. This warranty does not apply to any equipment, component or part that was not manufactured by BUNN or that, in BUNN's judgment, has been affected by misuse, neglect, alteration, improper installation or operation, improper maintenance or repair, damage or casualty. This warranty is conditioned on the Buyer 1) giving BUNN prompt notice of any claim to be made under this warranty by telephone at (217) 529-6601 or by writing to Post Office Box 3227, Springfield, Illinois 62708-3227; 2) if requested by BUNN, shipping the defective equipment prepaid to an authorized BUNN service location; and 3) receiving prior authorization from BUNN that the defective equipment is under warranty.

THE FOREGOING WARRANTY IS EXCLUSIVE AND IS IN LIEU OF ANY OTHER WARRANTY, WRITTEN OR ORAL, EXPRESS OR IMPLIED, INCLUDING, BUT NOT LIMITED TO, ANY IMPLIED WARRANTY OF EITHER MERCHANTABILITY OR FITNESS FOR A PARTICULAR PURPOSE. The agents, dealers or employees of BUNN are not authorized to make modifications to this warranty or to make additional warranties that are binding on BUNN. Accordingly, statements by such individuals, whether oral or written, do not constitute warranties and should not be relied upon.

If BUNN determines in its sole discretion that the equipment does not conform to the warranty, BUNN, at its exclusive option while the equipment is under warranty, shall either 1) provide at no charge replacement parts and/or labor (during the applicable parts and labor warranty periods specified above) to repair the defective components, provided that this repair is done by a BUNN Authorized Service Representative; or 2) shall replace the equipment or refund the purchase price for the equipment.

THE BUYER'S REMEDY AGAINST BUNN FOR THE BREACH OF ANY OBLIGATION ARISING OUT OF THE SALE OF THIS EQUIPMENT, WHETHER DERIVED FROM WARRANTY OR OTHERWISE, SHALL BE LIMITED, AT BUNN'S SOLE OPTION AS SPECIFIED HEREIN, TO REPAIR, REPLACEMENT OR REFUND.

In no event shall BUNN be liable for any other damage or loss, including, but not limited to, lost profits, lost sales, loss of use of equipment, claims of Buyer's customers, cost of capital, cost of down time, cost of substitute equipment, facilities or services, or any other special, incidental or consequential damages.

TABLE OF CONTENTS

Electrical and Operating Controls.....	18
Faucet	16
Funnel Assembly	22
Numerical Index.....	24
Strainer/Flow Control, Solenoids and Lines	12
Tank Assembly	8,10
Top Cover, Hood, Trunk, Base and Panels	4

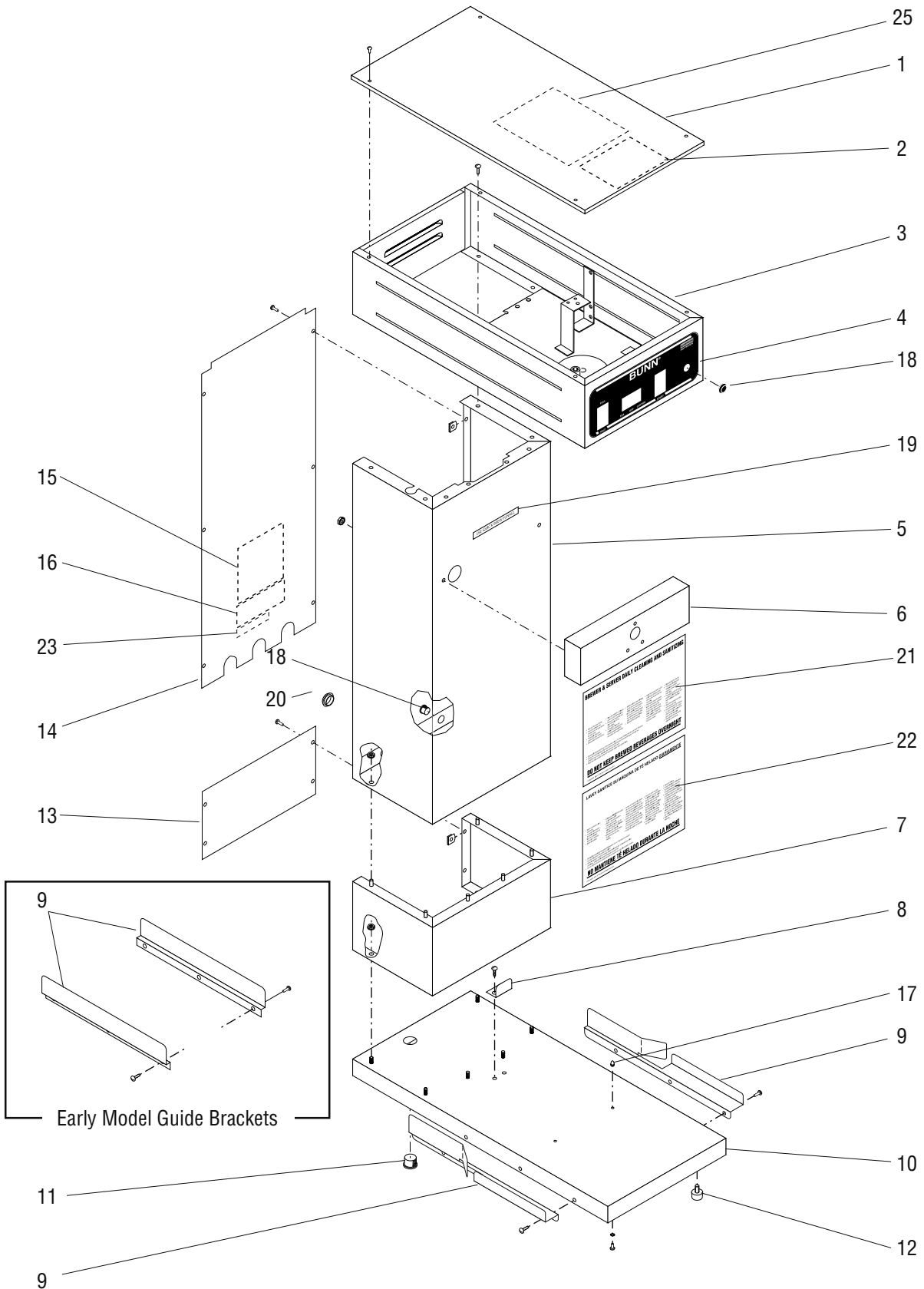
MODELS COVERED IN THIS MANUAL

TW - Brewers without Faucet

- TW - 120V, Standard Height (4.64" extention)
- TW - 120V, 23" Height (8.12" extention)
- TW - 120V, 23" Height with 1/2 Batch Option
- TW - 120/208V, Standard Height (4.64" extention)
- TW - 120/208V, 23" Height (8.12" extention) with 90oz. Concentrate Option
- TWDB - 200V, 3500W

TWF - Brewers with Faucet

- TWF - 120V, Standard Height (4.64" extention)
- TWF - 120V, Standard Height with Optional Rear Receptacle
- TWF - 120V, 23" Height (8.12" extention)
- TWF - 120V, Standard Height with 1/2 Batch Option
- TWF - 120V, 23" Height with 1/2 Batch Option
- TWF - 120V, 23" Height (8.12" extention) with 90oz. Concentrate Option
- TWF - 120/208V, Standard Height (4.64" extention)
- TWF - 120/208V, 23" Height (8.12" extention)
- TWF - 120/208V, Standard Height with 1/2 Batch Option

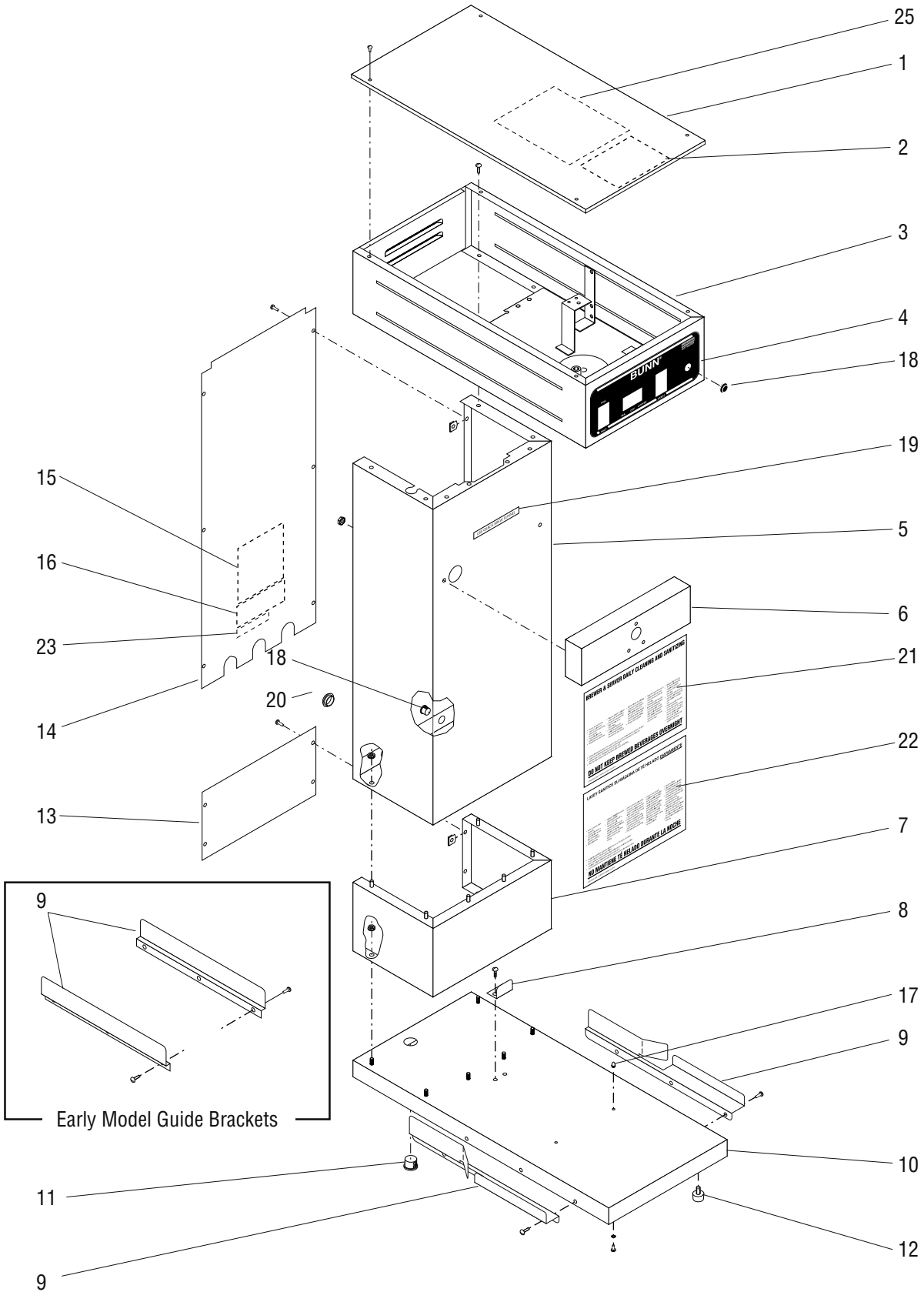


TOP COVER, HOOD, TRUNK, BASE AND PANELS

ITEM	PART NO.	QTY.	DESCRIPTION
1	03423.0000	1	Cover, Top (Also order items 2 & 25)
	01382.0000	4	Screw, Truss Head #6-32 x .375"
2	10502.0000	1	Schematic, Electrical 120V
	10502.0003	1	Schematic, Electrical 200V (TWDB)
3	21836.0000	1	Hood (Includes item 4)
	21836.0001	1	Hood (Includes Item 4)(TWDB)
	02308.0000	6	Screw, Pan Head - Serrated #8-32 x .375"
4	20268.0000	1	Decal, Hood-Switch
	20268.0007	1	Decal, Hood-Switch (Models with Ready Light)
5	03762.0003	1	Trunk Assy (Also order items 19,21 & 22; if applicable)
	00970.0000	6	Nut, Hex Keps #8-32
6	03773.0000	1	Housing, Nozzle Mounting
	00970.0000	2	Nut, Hex Keps #8-32
7	03765.0005	1	Housing Assy, Trunk Extension 4.64" HT
	03765.0003	1	Housing Assy, Trunk Extension 8.12" HT
	00970.0000	6	Nut, Hex Keps #8-32
8	03770.0000	1	Bracket, Stop
	01315.0000	2	Screw, Truss Head #8-32 x .375"
9	03772.0000	2	Guide, Base (Early models)
	32035.0000	1	Guide, Base (Left side)
	32035.0001	1	Guide, Base (Right side) } Late models
	01317.0003	6	Screw, Truss Head-Locking #8-32 x .375"
10	03767.0002	1	Base
11	00668.0000	1	Plug, Hole .75" Dia
12	25137.0001	4	Foot, .75" O.D. x .48" HT (See item 24)
13	03771.0004	1	Cover, Trunk Extension - Rear 4.64" HT (120V)
	20910.0000	1	Cover, Trunk Extension - Rear 4.64" HT (120/208V)
	03771.0003	1	Cover, Trunk Extension - Rear 8.12" HT (120V)
	20910.0002	1	Cover, Trunk Extension - Rear 8.12" HT (120/208V)
	01315.0000	4	Screw, Truss Head #8-32 x .375"
	00917.0000	4	Fastener, J-Type #8-32
	14	22297.0001	1
25615.0000		1	Panel W/Decals, Trunk (120/208V)(Includes items 15 & 16)
25615.0001		1	Panel W/Decals, Trunk (120/208V)(Includes items 15,16 & 23)(Models with Rear Receptacle)
01315.0000		6	Screw, Truss Head #8-32 x .375"
00917.0000		6	Fastener, J-Type #8-32
15	00831.0000	1	Decal, Electrical Warning
16	00656.0000	1	Decal, Comply With Plumbing Code
17	02319.0000	2	Nut, Acorn #6-32
	01510.0000	2	Lockwasher, External Tooth #6
	01308.0000	2	Screw, Truss Head #6-32 x .25"

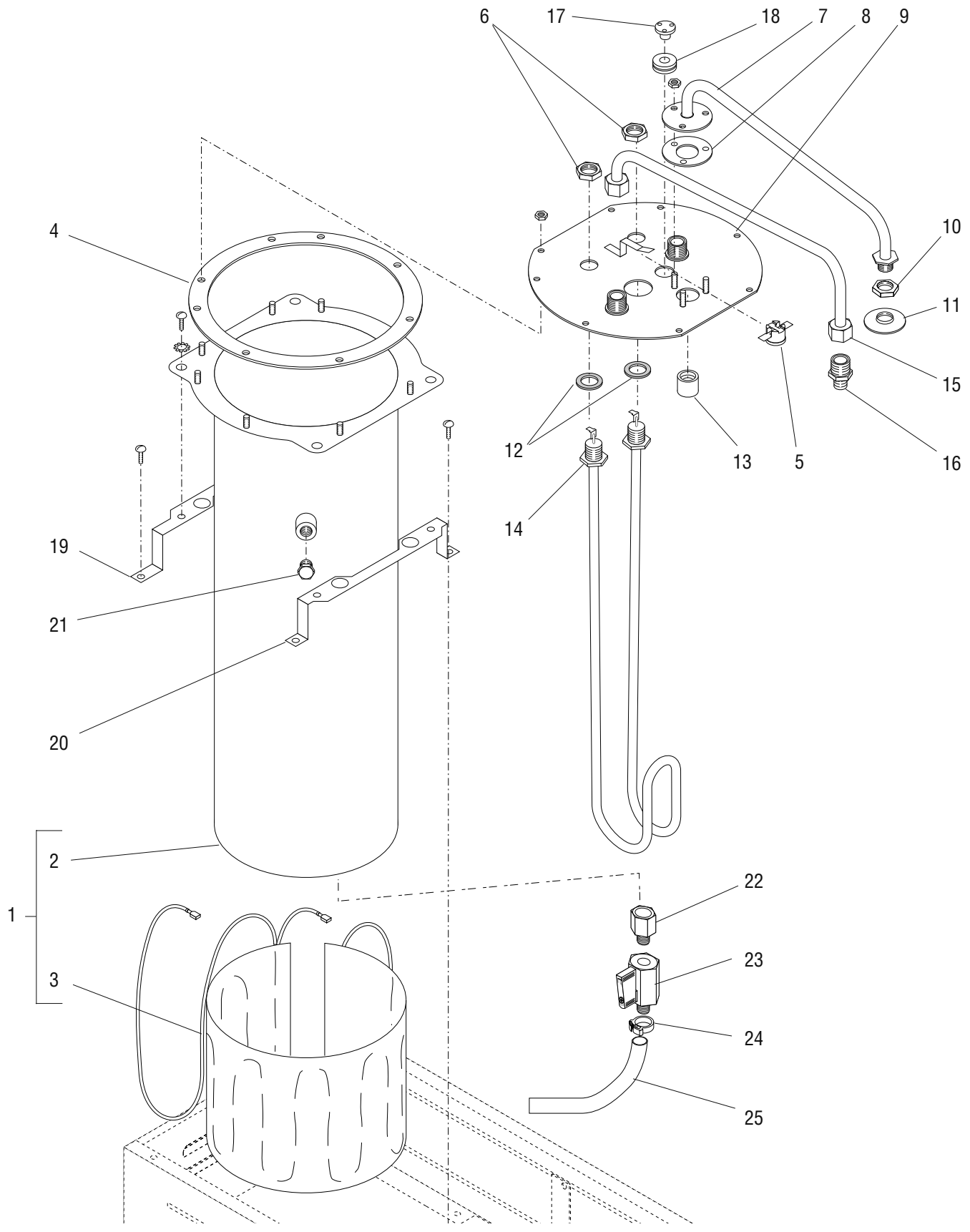
(Continued)

(Continued)



TOP COVER, HOOD, TRUNK, BASE AND PANELS

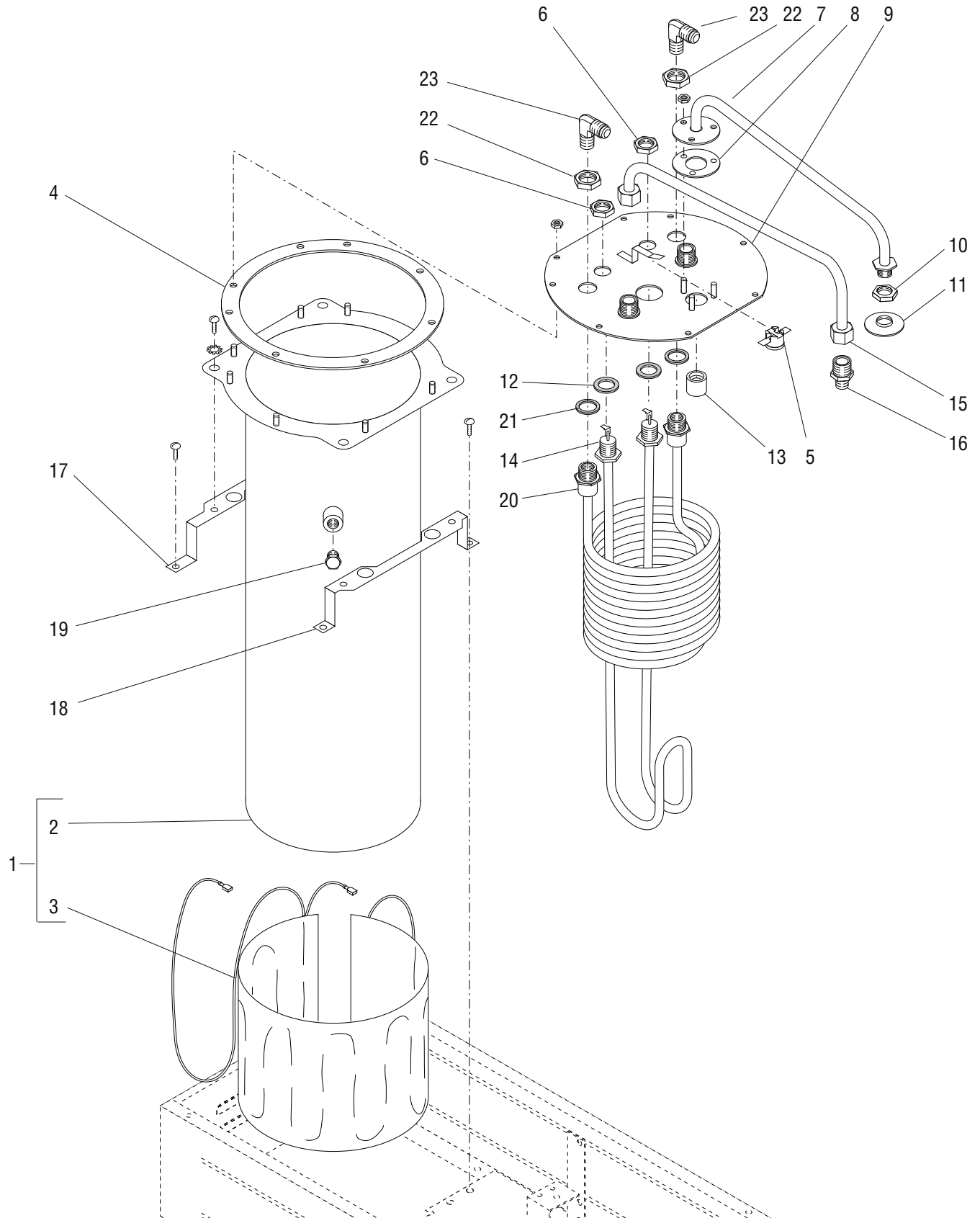
ITEM	PART NO.	QTY.	DESCRIPTION
18	00669.0003	2	Plug, Hole .437" Dia (Brewers W/Out Faucet)
19	03537.0000	1	Decal, USE QUICK BREW FUNNEL
20	05749.0001	1	Plug, Nylon-Black .625" Dia. (120/208V Models only)
21	27294.0000	1	Decal, CLEANING AND SANITIZING
22	27294.0001	1	Decal, CLEANING AND SANITIZING (Spanish)
23	02822.0000	1	Decal, AUXILLARY OUTLET (Models with Rear Receptacle)
24	24600.0000	-	Kit, Foot (Includes four feet)
25	32540.0000	1	Decal, Batch Set (Digital Timer, Late Models)



TANK ASSEMBLY W/OUT FAUCET

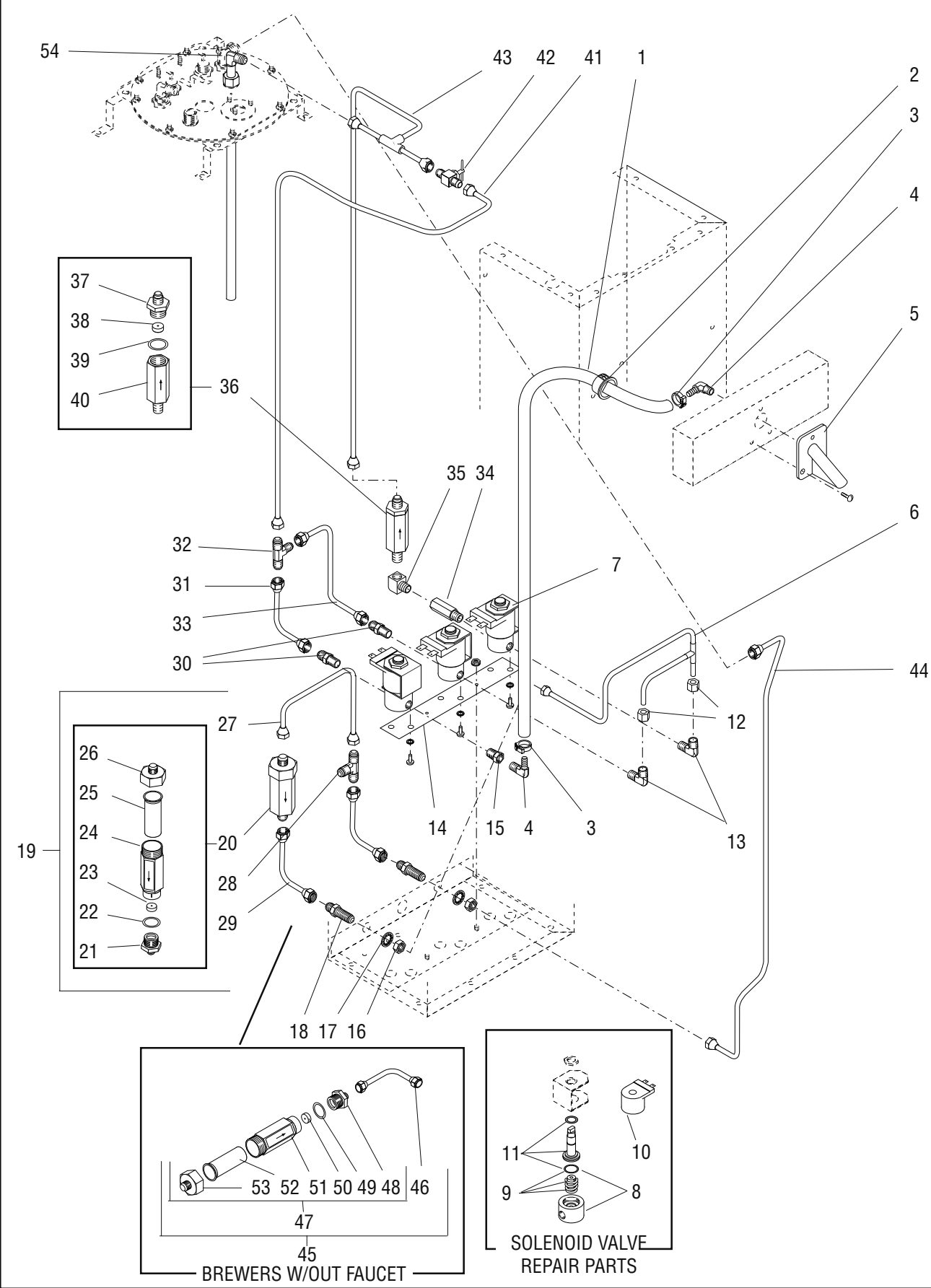
ITEM	PART NO.	QTY.	DESCRIPTION
1	20842.0000	1	Tank W/Blanket Warmer 120V (Includes items 2, 3 & 21)
	01315.0000	4	Screw, Truss Head #8-32 x .375"
	01512.0000	4	Lockwasher, External Tooth #10
2	20201.3000	1	Tank
	33620.0000	1	Tank (TWDB)
3	04260.0000	1	Blanket Warmer, 50W 120V
	01927.0000	1	Blanket Warmer 50W, 220V (TWDB)
4	04221.0000	1	Gasket, Tank Lid
5	29329.1000	1	Thermostat, Limit 30 amp
6	00942.0000	2	Nut, Hex .50"-20
7	20544.0000	1	Sprayhead Tube Kit (Includes 3 mounting nuts below, items 8 & 13)
	00908.0000	3	Nut, Hex #8-32
8	05515.0000	1	Gasket, Sprayhead Tube
9	20201.3102	1	Lid Assembly, Tank
	00908.0000	8	Nut, Hex #8-32
10	01075.0000	1	Nut, Hex .438"-20
11	01082.0000	1	Sprayhead, 6 Hole
	01082.0003	1	Sprayhead, 7 Hole
12	00943.0000	2	Gasket, Tank Heater
13	05518.0000	1	Syphon Hub
	03070.1000	1	Tank Heater, 1680W 120V (Includes Item 12)
	20201.6350	1	Tank Heater, 3500W 208V (Includes Item 12)
15	20262.0000	1	Tube Assembly, Vent
16	00406.0001	1	Fitting, .375" Tube x .125" MPT
17	01425.0000	1	Pin, .375" Dia x .50"
18	02536.0000	1	Grommet, .375" I.D.
19	20254.0001	1	Bracket, Tank Mounting - Rear
	02308.0000	2	Screw, Pan Head - Serrated #8-32 x .375"
20	20254.0000	1	Bracket, Tank Mounting - Front
	02308.0000	2	Screw, Pan Head - Serrated #8-32 x .375"
21	20201.6001	1	Plug, Hex Head .25" NPT
22	00430.0001	1	Adapter, .125" NPT Male-Female
23	33624.0000	1	Valve Assy, Ball
24	12422.0001	1	Clamp, Hose
25	11707.1001	1	Tube, Silicone .250" I.D. x .50" O.D. x 36" long (Cut to 31")

Used on TWDB
Brewers



TANK ASSEMBLY W/FAUCET

ITEM	PART NO.	QTY.	DESCRIPTION
1	20842.0000	1	Tank W/Blanket Warmer 120V (Includes items 2, 3 & 19)
	01315.0000	4	Screw, Truss Head #8-32 x .375"
	01512.0000	4	Lockwasher, External Tooth #10
2	20201.3000	1	Tank
3	04260.0000	1	Blanket Warmer, 50W 120V
4	04221.0000	1	Gasket, Tank Lid
5	29329.1000	1	Thermostat, Limit 30 amp
6	00942.0000	2	Nut, Hex .50"-20
7	20544.0000	1	Sprayhead Tube Kit (Includes 3 mounting nuts below, items 8 & 13)
	00908.0000	3	Nut, Hex #8-32
8	05515.0000	1	Gasket, Sprayhead Tube
9	20201.3103	1	Lid Assembly, Tank
	00908.0000	8	Nut, Hex #8-32
10	01075.0000	1	Nut, Hex .438"-20
11	01082.0000	1	Sprayhead, 6 Hole
	01082.0003	1	Sprayhead, 7 Hole
12	00943.0000	2	Gasket, Tank Heater
13	05518.0000	1	Syphon Hub
14	03070.1000	1	Tank Heater, 1680W 120V (Includes Item 12)
	03070.1001	1	Tank Heater, 1500W 120V (Includes Item 12)
	20201.6350	1	Tank Heater, 3500W 208V (Includes Item 12)
15	20262.0000	1	Tube Assembly, Vent
16	00406.0001	1	Fitting, .375" Tube x .125" MPT
17	20254.0001	1	Bracket, Tank Mounting - Rear
	02308.0000	2	Screw, Pan Head - Serrated #8-32 x .375"
18	20254.0000	1	Bracket, Tank Mounting - Front
	02308.0000	2	Screw, Pan Head - Serrated #8-32 x .375"
19	20201.6001	1	Plug, Hex Head .25" NPT
20	12689.1000	1	Coil Assembly, Hot Water (Includes item 21)
21	12688.0000	2	Gasket, Hot Water Coil
22	12687.0000	2	Nut, Hex - Brass .562"-24
23	00400.0001	2	Elbow, Male .25" Flare x .125" MPT



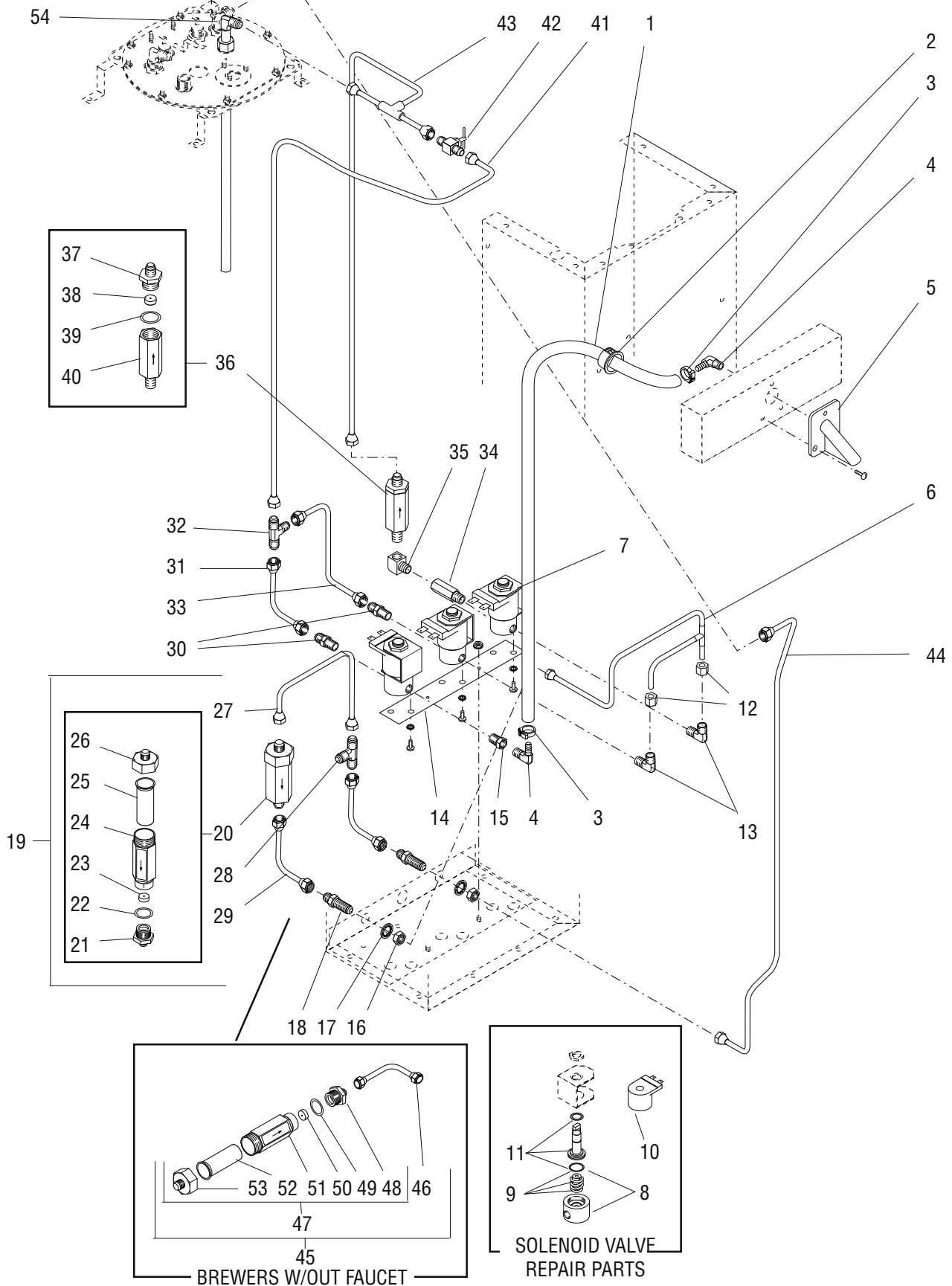
STRAINER/FLOW CONTROL, SOLENOIDS AND LINES

ITEM	PART NO.	QTY.	DESCRIPTION
1	-----	1	Tube, Silicone, .250" I.D. x 21" LG (Order item 55)
2	01592.0000	1	Bushing, Snap 1" Dia Hole
3	12422.0000	2	Clamp, Hose - Snap Type .47"/.54" I.D.
4	00464.0001	2	Elbow, .250" Barb x .125" MPT
5	03717.0000	1	Nozzle, Dilution
	01382.0000	3	Screw, Truss Head Serrated #6-32 x .375"
6	25523.0000	1	Tube Assembly, Solenoids to Bulkhead (Includes items 12)
7	01085.0002	3	Solenoid Valve, 120V (Includes items 8 thru 11)
	01327.0000	6	Screw, Pan Head #10-32 x .375"
	01502.0000	6	Lockwasher, Split #10
8	28479.0000	1	Base Kit (Includes O-ring)
9	01111.0002	1	Valve Repair Kit (Includes Plunger, Spring and O-ring)
10	28480.0000	1	Valve Coil 120V
11	28481.0000	1	Guide Kit (Includes Washer and O-ring)
12	00443.0001	2	Nut/Sleeve, .250" Tube
13	00465.0001	2	Elbow Assembly, .125" MPT x .250" Tube (Includes item 12)
14	03170.0000	1	Plate, Solenoid Valve Mounting
	00970.0000	2	Nut, Keps #8-32
15	00430.0001	1	Adapter, .125 NPT Male & Female
16	00463.0000	2	Nut, Hex - Brass .438"-20
17	01532.0000	2	Lockwasher, Internal Tooth .438"
18	00459.0000	2	Fitting, Bulkhead .250" Flare
19	24368.0000	1	Strainer/Flow Control W/Tubing, .750 GPM (Includes items 20 thru 29)(Brewers W/ Faucet)
20	22300.0750	1	Strainer/Flow Control, .750 GPM (Includes item 21 thru 26)
21	01154.0000	1	Fitting, Flow Control Outlet
22	01155.0000	1	Gasket, Flow Control
23	20526.1750	1	Flow Washer/Gasket Kit (.750 GPM) (Includes item 22)
24	-----	1	Body (Not Available. Order item 20)
25	23721.0000	1	Screen
26	22249.0000	1	Fitting, Flow Control Inlet
27	26280.0000	1	Tube Assembly, Tee to Strainer/Flow Control

One Less
 Used on
 Brewers W/
 Out Faucet

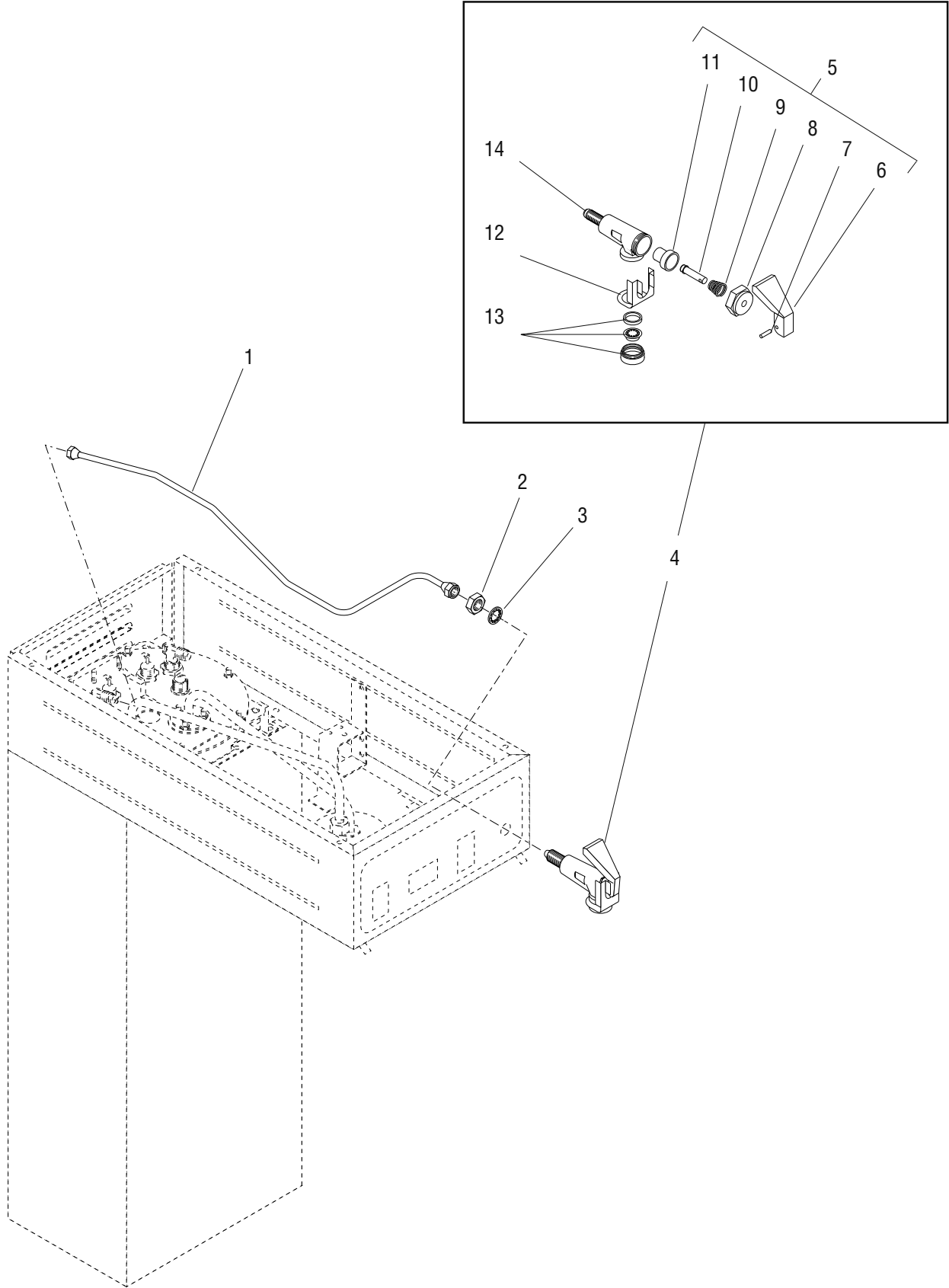
(Continued)

(Continued)



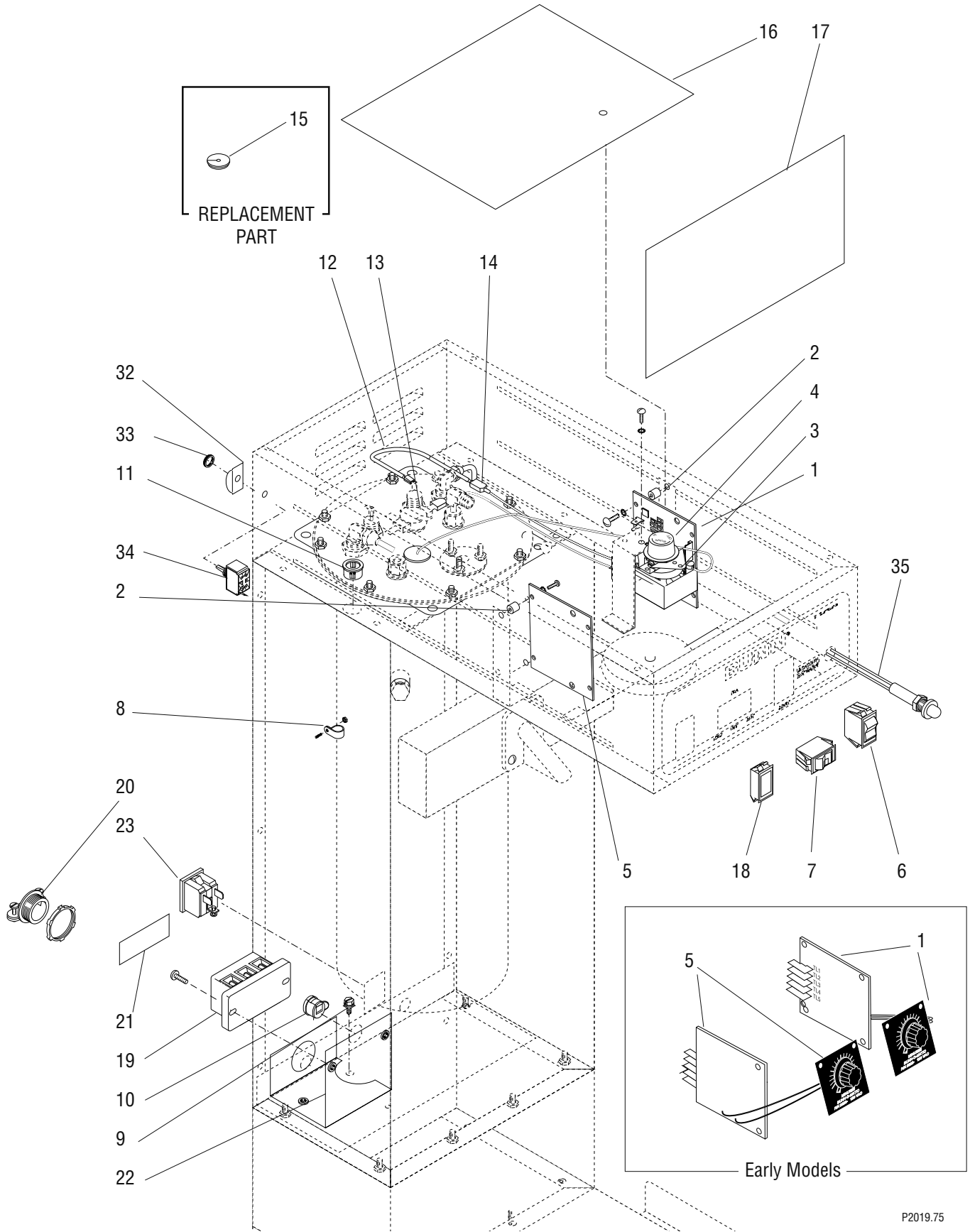
STRAINER/FLOW CONTROL, SOLENOIDS AND LINES

ITEM	PART NO.	QTY.	DESCRIPTION
28	20577.0000	1	Tee, .250" Flare
29	21814.0016	2	Tube Assembly, Bulkhead
30	00402.0001	2	Connector, .25" Male Flare x .125" MPT
31	00310.0006	1	Tube Assembly, Dilution to Tee
32	20577.0001	1	Tee, .250" Flare
33	20628.0001	1	Tube Assembly, Tee to Iced Tea Brew Solenoid
34	00458.0001	1	Adapter, .125" MPT x .125" FPT
35	00432.0001	1	Elbow, .125" NPT Male & Female
36	20528.1195	1	Flow Control Assembly (.195 GPM) (Includes items 37 thru 40)
37	01154.0001	1	Fitting, Flow Control Outlet
38	20526.1195	1	Flow Washer/Gasket Kit (.195 GPM) (Includes item 39)
39	01155.0000	1	Gasket, Flow Control
40	-----	1	Body, Flow Control (Not Available. Order item 36)
41	20260.0000	1	Tube Assembly, Tee to Needle Valve
42	00484.0001	1	Valve, Needle .250" Flare
43	20257.0000	1	Tube Assembly, Flow Control to Tank
44	20256.0000	1	Tube Assembly, Bulkhead to Coil (Brewers W/Faucet)
45	24356.0750	1	Strainer/Flow Control W/Tube (Includes items 46 & 47)(Brewers W/Out Faucet)
46	00310.0000	1	Tube Assembly, Strainer/Flow Control to Bulkhead
47	22300.0750	1	Strainer/Flow Control (Includes Items 48 thru 53)
48	01154.0000	1	Fitting, Flow Control Outlet
49	01155.0000	1	Gasket, Flow Control
50	20526.1750	1	Flow Washer/Gasket Kit, .750 GPM (Includes item 49)
51	-----	1	Body (Not Available. Order item 47)
52	23721.0000	1	Screen
53	22249.0000	1	Fitting, Flow Control Inlet
54	13085.0002	1	Tube Assembly, Tank Fill
55	11707.1001	-	Tube, Silicone .250" I.D. x .50" O.D. x 36" LG
	11707.1002	-	Tube, Silicone .250" I.D. x .50" O.D. x 120" LG



FAUCET

ITEM	PART NO.	QTY.	DESCRIPTION
1	20274.0000	1	Tube Assy, Coil to Faucet
2	13059.0000	1	Faucet Jam Nut
3	01532.0000	1	Lockwasher, Internal Tooth .438" I.D.
4	12915.0000	1	Faucet, Hot Water (Includes items 5 thru 14)
5	13061.0000	1	Faucet Handle/Stem Assy (Includes items 6 thru 11)
6	13053.0000	1	Faucet Handle/Pin Kit (Includes item 7)
7	02858.0000	1	Pin, Spring .125" Dia. x .50"
8	13060.0000	1	Faucet Bonnet Nut
9	13055.0000	1	Faucet Spring
10	13054.0000	1	Faucet Stem
11	13056.0000	1	Faucet Seat Cup
12	13057.0000	1	Faucet Safety Clip
13	13058.0000	1	Faucet Aerator Kit
14	-----	1	Body, Faucet (Not available order item 4)

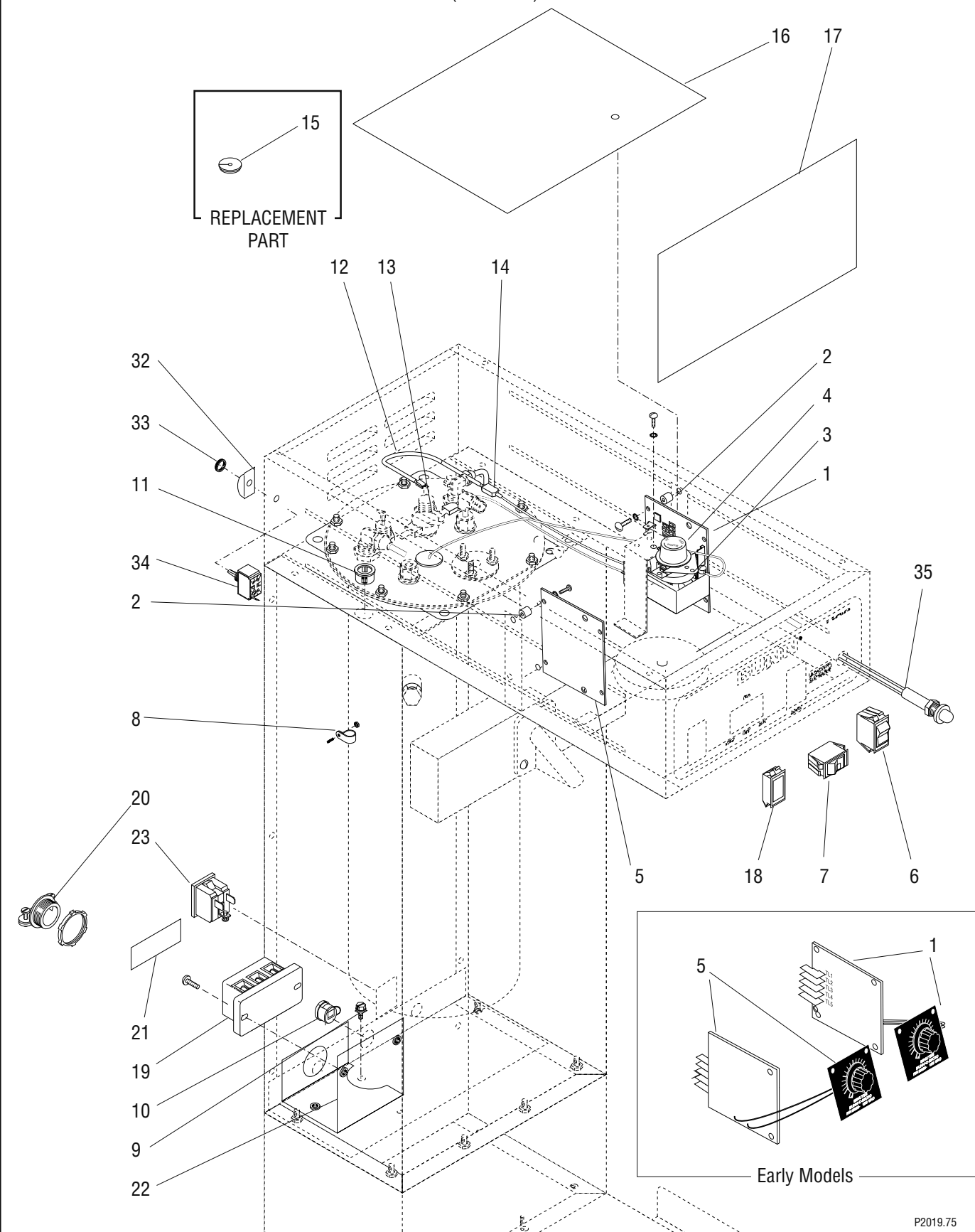


ELECTRICAL AND OPERATING CONTROLS

ITEM	PART NO.	QTY.	DESCRIPTION
1	-----	1	Timer, 5 Min - 120V (Hot Coffee)(Early Models, Order Item 31)
	32400.0002	1	Timer, Digital - 120V
	01388.0000	2	Screw, Truss Head #6-32 x .75"
	01510.0000	2	Lockwasher, External Tooth #6
2	01533.0000	4	Spacer, .171" I.D. x .375" O.D. x .375" LG
3	03024.0005	1	Thermostat Assembly (Includes item 4)
	01310.0000	1	Screw, Pan Head #6-32 x .25" (Mounting)
	20762.0000	2	Screw, Binding Head #8-32 x .25" (Terminal)
	01510.0000	1	Lockwasher, External Tooth #6
4	00720.0000	1	Knob, Thermostat
5	-----	1	Timer, 8 Min - 120V (Iced Tea) (Early Models, order Item 31)
	32400.0002	1	Timer, Digital - 120V
	01388.0000	2	Screw, Truss Head #6-32 x .75"
	01510.0000	2	Lockwasher, External Tooth #6
	12919.0008	1	Cap, Terminal (Not illustrated)
6	11633.0000	1	Switch, Start
7	20234.0000	1	Switch, ON/OFF/ON 120V
	20234.0001	1	Switch, ON/OFF/ON Lighted 240V (TWDB)
8	00603.0000	1	Clamp, Cable
	00970.0000	1	Nut, Keps #8-32
9	01309.0000	1	Screw, Power Cord Ground - Pan Head W/Washer #10-32 x .50"
10	00707.0000	1	Bushing, Strain Relief (120V Models only)
11	00614.0000	1	Bushing, .469" I.D.
12	20211.0100	1	Thermal Fuse, Tank Heater to BLK Lead from Thermostat (Brewers W/Faucet)
13	21016.0001	1	Lead, Limit Thermostat to Control Thermostat - BLU/BLK 16AWG 11" LG
14	21016.0000	1	Lead, Thermal Fuse to Control Thermostat - BLK 16AWG 6.50" LG (Brewers W/Faucet)
	21016.0002	1	Lead, Tank Heater to Control Thermostat - BLK 16AWG 15" LG (Brewers W/Out Faucet)
15	07073.0000	1	Grommet, Thermostat
16	00636.0000	1	Shield, Polyester - Timer Boards
17	00637.0000	1	Shield, Polyester - Switch Terminals
18	02677.0000	1	Switch Blank
	06536.0000	1	Switch, ON/OFF (Models with Half Batch option)
19	07038.0000	1	Terminal Block, 3-pole, 120/208V
	01106.0001	1	Terminal Block, 2-pole, RED/BLK (TWDB)
	01317.0000	2	Screw, Truss Head #8-32 x .50"
20	01590.0000	1	Connector, Cable (120/208V Models only)
21	00985.0000	1	Decal, INDIVIDUAL CIRCUIT INFO

(Continued)

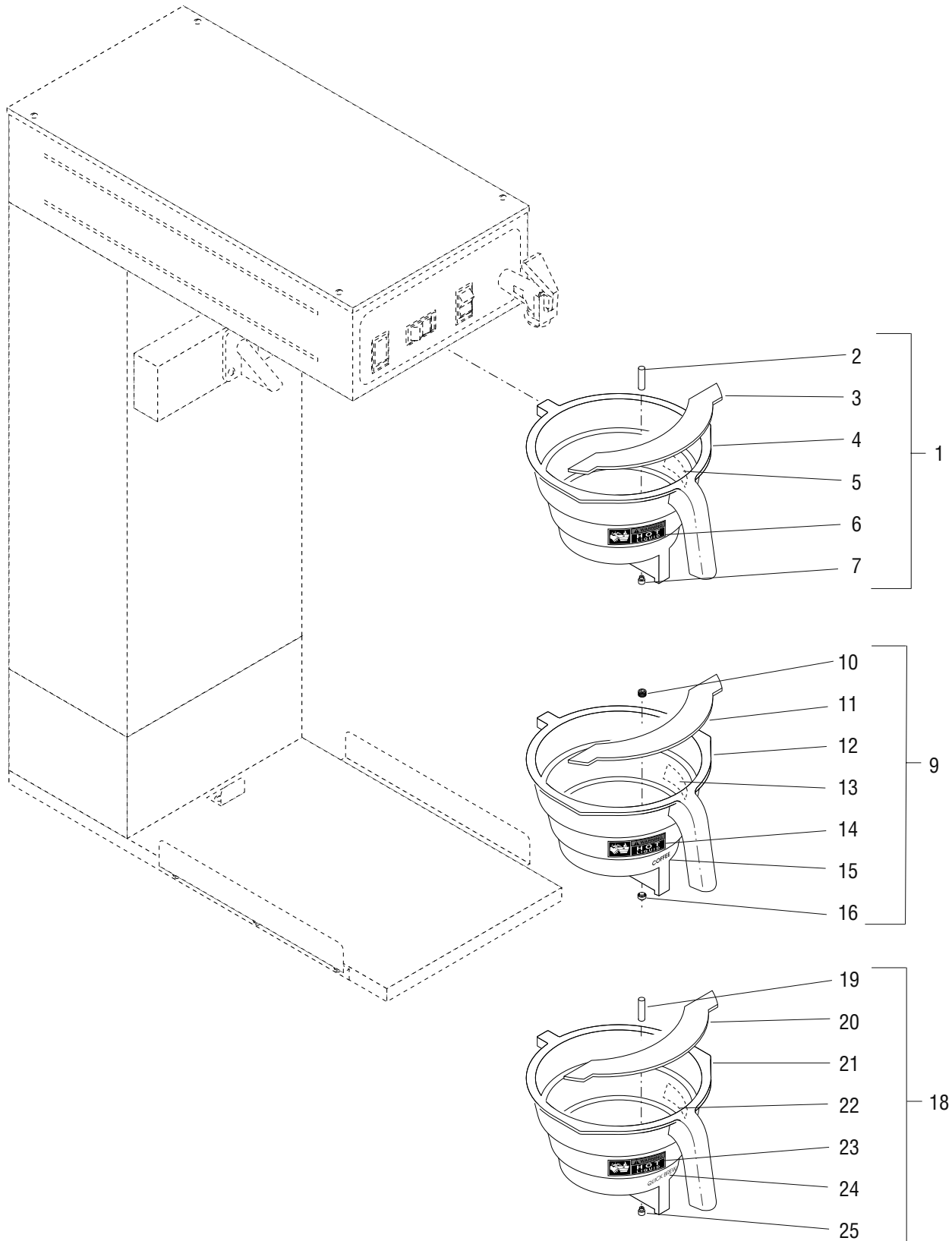
(Continued)



P2019.75

ELECTRICAL AND OPERATING CONTROLS

ITEM	PART NO.	QTY.	DESCRIPTION	
22	20956.0000	1	Bracket, Terminal Block	
	01315.0000	2	Screw, Truss Head #8-32 x .375"	
23	03628.0000	1	Receptacle (Models with rear receptacle)	
24	13307.1001	1	Wiring Harness (Models with rear receptacle)	<div style="display: flex; align-items: center; justify-content: center;"> <div style="border-left: 1px solid black; border-right: 1px solid black; border-top: 1px solid black; border-bottom: 1px solid black; width: 20px; height: 100%;"></div> <div style="margin-left: 10px;">Not Illustrated</div> </div>
25	02240.0002	1	Lead, Timer (Models with Half Batch option)	
26	-----	2	Cable Splice (Not serviced)	
27	01637.0000	1	Cord, Power 120V	
28	21000.0019	1	Lead, Warmer Blanket to Main Harness 18AWG BLK 5.0" LG	
	21001.0016	1	Lead, Warmer Blanket to Main Harness 18AWG WHI 5.0" LG	
29	20272.0000	1	Wiring Harness, Main 120V	
	20272.0002	1	Wiring Harness, Main 120/208V	
	20272.0003	1	Wiring Harness, Main 200V (TWDB)	
30	00617.0000	2	Tie, Cable	
31	32400.0000	-	Timer Kit, Digital - 120V (Replaces early model timer with digital timer)	
32	25102.0000	1	Bracket, Switch Indicator/Guard (TWDB only)	
33	23697.0000	1	Facenut, plastic - BLK (TWDB only)	
34	23522.0000	1	Switch, Toggle (TWDB only)	
35	12984.0004	1	Lamp Assy, GRN 208/250V (TWDB only)	
	02957.0000	1	Lamp Assy, GRN 120V (Models with Ready Light)	
36	34889.0000	1	Wiring Harness, Ready Light (Not Illustrated)	



FUNNEL ASSEMBLY

ITEM	PART NO.	QTY.	DESCRIPTION
1	03021.0004	1	Funnel Assembly, Brew Tea - Smoke (Models with 90oz. Concentrate option)(Includes items 2 thru 7)
2	03284.0000	1	Adapter W/Screen, Funnel (See item 8)
3	32965.0000	1	Splashguard
4	-----	1	Funnel, Brew Tea - Smoke (Not Available. Order item 1)
5	03408.0000	1	Decal, Caution - REMOVE FUNNEL
6	03409.0000	1	Decal, Caution - HOT LIQUID
7	03407.0000	1	Funnel Tip, .082" Dia (See item 8)
8	01037.0002	-	Funnel Tip & Screen Kit (Includes items 2 & 7)
9	03021.0007	1	Funnel Assembly, Coffee-Black (Includes items 10 thru 16)
10	-----	1	Funnel Tip, Male (See item 17)
11	32965.0000	1	Splashguard
12	-----	1	Funnel, Coffee-Black (Not Available. Order item 9)
13	03408.0000	1	Decal, Caution - REMOVE FUNNEL
14	03409.0000	1	Decal, Caution - HOT LIQUID
15	20269.0000	1	Decal, COFFEE
16	-----	1	Funnel Tip, Female (See item 17)
17	01031.0000	1	Funnel Tip Assy (Includes items 10 and 16)
18	03021.0005	1	Funnel Assembly, Brew Tea - Smoke (Includes items 19 thru 25)
19	03284.0000	1	Adapter W/Screen, Funnel (See item 26)
20	32965.0000	1	Splashguard
21	-----	1	Funnel, Brew Tea - Smoke (Not Available. Order item 18)
22	03408.0000	1	Decal, Caution - REMOVE FUNNEL
23	03409.0000	1	Decal, Caution - HOT LIQUID
24	03536.0000	1	Decal, QUICK BREW
25	03407.0002	1	Funnel Tip, .114" Dia (See item 26)
26	01037.0003	-	Funnel Tip & Screen Kit (Includes items 19 & 25)

NUMERICAL INDEX

PART NO.	PAGE NO.	PART NO.	PAGE NO.	PART NO.	PAGE NO.	PART NO.	PAGE NO.
00310.0000	15	01512.0000	9,11	12422.0001	9	21016.0002	19
00310.0006	15	01532.0000	13,17	12687.0000	11	21814.0016	15
00400.0001	11	01533.0000	19	12688.0000	11	21836.0000	5
00402.0001	15	01590.0000	19	12689.1000	11	21836.0001	5
00406.0001	9,11	01592.0000	13	12915.0000	17	22249.0000	13,15
00430.0001	9,13	01637.0000	19	12919.0008	19	22297.0001	5
00432.0001	15	01927.0000	9	12984.0004	21	22300.0750	13,15
00443.0001	13	02240.0002	21	13053.0000	17	23522.0000	21
00458.0001	15	02308.0000	5,9,11	13054.0000	17	23697.0000	21
00459.0000	13	02319.0000	5	13055.0000	17	23721.0000	13,15
00463.0000	13	02536.0000	9	13056.0000	17	24356.0750	15
00464.0001	13	02677.0000	19	13057.0000	17	24368.0000	13
00465.0001	13	02822.0000	7	13058.0000	17	24600.0000	7
00484.0001	15	02858.0000	17	13059.0000	17	25102.0000	21
00603.0000	19	02957.0000	21	13060.0000	17	25137.0001	5
00614.0000	19	03021.0004	23	13061.0000	17	25523.0000	13
00617.0000	21	03021.0005	23	13085.0002	15	25615.0000	5
00636.0000	19	03021.0007	23	13307.1001	21	25615.0001	5
00637.0000	19	03024.0005	19	20201.3000	9,11	26280.0000	13
00656.0000	5	03070.1000	9,11	20201.3102	9	27294.0000	7
00668.0000	5	03070.1001	11	20201.3103	11	27294.0001	7
00669.0003	7	03170.0000	13	20201.6001	9,11	28479.0000	13
00707.0000	19	03284.0000	23	20201.6350	9,11	28480.0000	13
00720.0000	19	03407.0000	23	20268.0007	5	28481.0000	13
00831.0000	5	03407.0002	23	20211.0100	19	29329.1000	9,11
00908.0000	9,11	03408.0000	23	20234.0000	19	32035.0000	5
00917.0000	5	03409.0000	23	20234.0001	19	32035.0001	5
00942.0000	9,11	03423.0000	5	20254.0000	9,11	32400.0000	21
00943.0000	9,11	03536.0000	23	20254.0001	9,11	32400.0002	19
00970.0000	5,13,19	03537.0000	7	20256.0000	15	32540.0000	7
00985.0000	19	03628.0000	21	20257.0000	15	32965.0000	23
01031.0000	23	03717.0000	13	20260.0000	15	33620.0000	9
01037.0002	23	03762.0003	5	20262.0000	9,11	33624.0000	9
01037.0003	23	03765.0003	5	20268.0000	5	34889.0000	21
01075.0000	9,11	03765.0005	5	20269.0000	23		
01082.0000	9,11	03767.0002	5	20272.0000	21		
01082.0003	9,11	03770.0000	5	20272.0002	21		
01085.0002	13	03771.0003	5	20272.0003	21		
01106.0001	19	03771.0004	5	20274.0000	17		
01111.0002	13	03772.0000	5	20526.1195	15		
01154.0000	13,15	03773.0000	5	20526.1750	13,15		
01154.0001	15	04221.0000	9,11	20528.1195	15		
01155.0000	13,15	04260.0000	9,11	20544.0000	9,11		
01308.0000	5	05515.0000	9,11	20577.0000	15		
01309.0000	19	05518.0000	9,11	20577.0001	15		
01310.0000	19	05749.0001	7	20628.0001	15		
01315.0000	5,9,11,21	06536.0000	19	20762.0000	19		
01317.0000	19	07038.0000	19	20842.0000	9,11		
01317.0003	5	07073.0000	19	20910.0000	5		
01327.0000	13	10502.0000	5	20910.0002	5		
01382.0000	5,13	10502.0003	5	20956.0000	21		
01388.0000	19	11633.0000	19	21000.0019	21		
01425.0000	9	11707.1001	9,15	21001.0016	21		
01502.0000	13	11707.1002	15	21016.0000	19		
01510.0000	5,19	12422.0000	13	21016.0001	19		