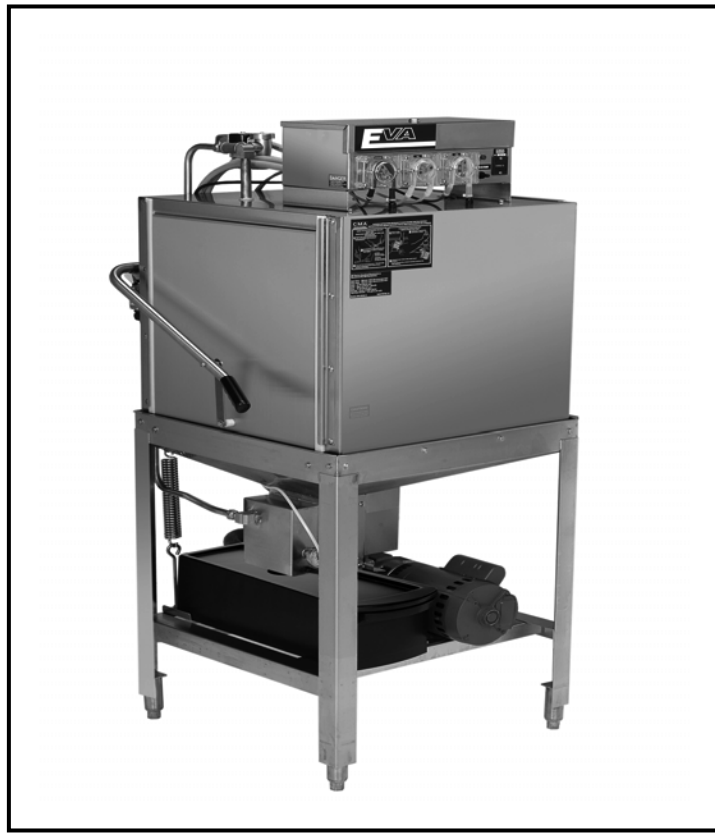




# MODEL EVA

PARTS MANUAL

Rev.1.03



**CMA DISHMACHINES**  
**12700 KNOTT AVENUE**  
**GARDEN GROVE, CALIFORNIA 92841**  
**800-854-6417**  
**FAX 714-895-2141**

[www.cmadishmachines.com](http://www.cmadishmachines.com)

# TABLE OF CONTENTS

## MODEL EVA

<b>1. PARTS MANUAL .....</b>	<b>3</b>
1.1. INITIAL PARTS KIT (P/N 01100.84).....	3
1.2. OPTIONAL SANI ALARM .....	4
1.3. EXPLODED VIEW DRAWINGS.....	5
1.3.1. Cabinet Assembly .....	5
1.3.2. Cabinet Assembly for Corner EVA .....	6
1.3.3. Control Box Assembly .....	7
1.3.4. Door Actuator Assembly.....	8
1.3.5. Door Actuator Assembly for Corner EVA .....	9
1.3.6. Pump Assembly.....	10
1.3.7. Plumbing System Assembly.....	11
1.3.8. Spray System Assembly.....	12
1.3.9. Power Drain Assembly .....	13
1.3.10. Peristaltic Pump Assembly .....	14

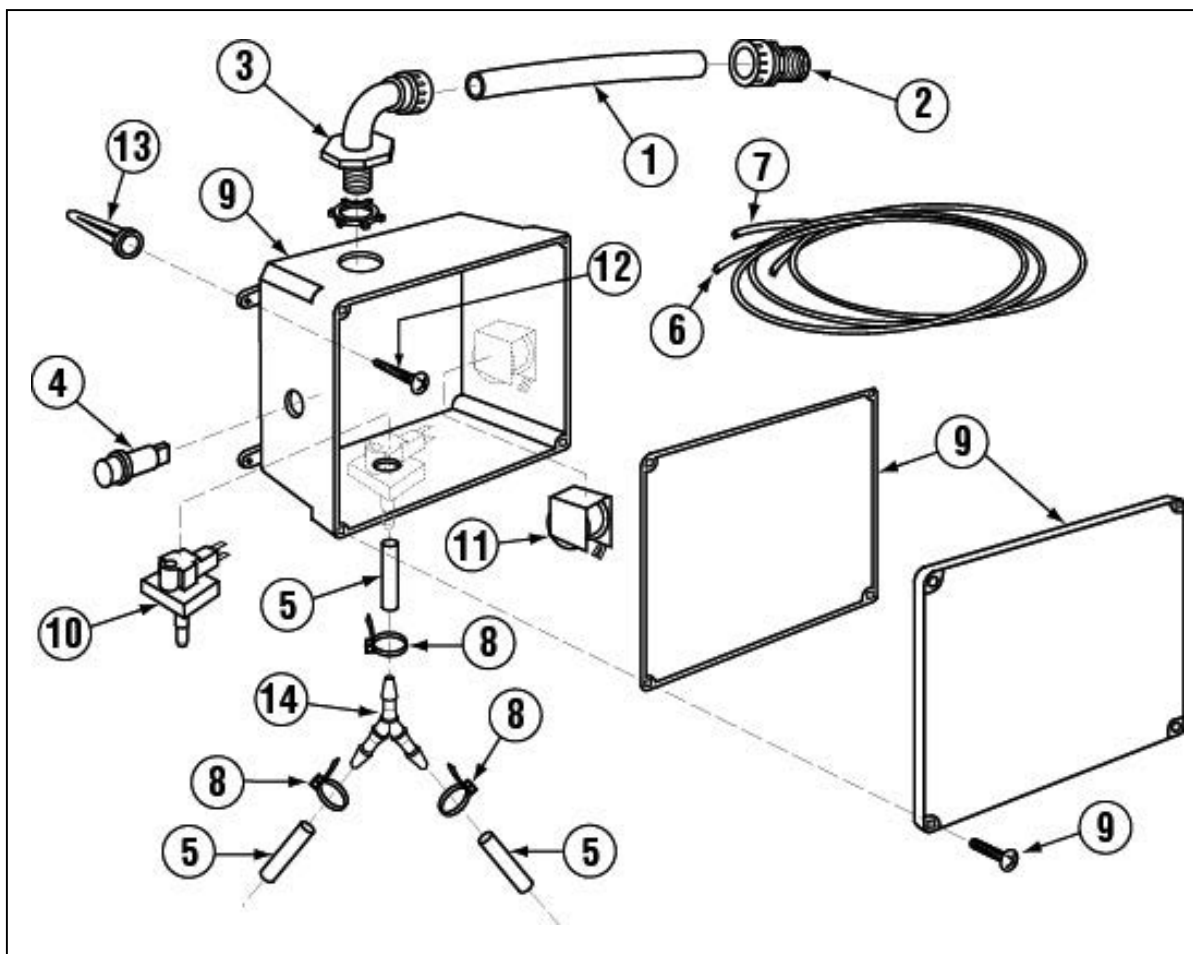
## 1. Parts Manual

### 1.1. Initial Parts Kit (P/N 01100.84)

P/N	DESCRIPTION	Qty
00104.82	50 RPM Drain Motor, 117V 60Hz	1
00105.82	Drain Spring (V)	1
00108.82	Drain Actuator Arm (V)	1
00109.82	Drain Actuator Shaft (V)	1
00115.85	Drain Screen	1
00121.60	Drain Diaphragm	1
00200.10	Pump Assembly, 110/220V 60Hz	1
00206.00	Pump Seal Kit	1
00308.20	Spray Arm End Plug, E-VA	1
00341.20	Spray Arm Bearing	1
00406.00	Control Box Light, .5" Diameter, Red	1
00407.83	Timer, 90 Sec, 8 Cam	1
00416.00	Peristaltic Pump Assembly, 120V/60Hz	1
00435.00	Squeeze Tube, 8", Silicon	1
00470.10	Toggle Switch Rubber Boot	3
00471.10	Toggle Switch, Off/On, 20-Amp	1
00475.00	Toggle Switch, DPDT, 15-Amp, Delimer	1
00562.00	Door Limit Switch, Roller Action	1
00602.00	Door Spring	1
00631.00	Ice Cube Relay, 120V	1
00707.00	1/2" Water Solenoid Repair Kit, JE	1
00738.10	Solenoid Coil, JE, 120V ( 3/4" & 1/2" )	1
00935.00	1/4-20 x 1/4" Allen Screw	2
00938.82	1/2" Drain Bushing, Brass (V)	2
03202.00	Thermometer	1
03415.50	Flex-Tight Fitting	1
03470.00	Toggle Switch, Momentary, Screw Terminals	1
03623.00	1/2" Vacuum Breaker Repair Kit, Watts	1
00425.51	Chemical Tubing, Blue	50 ft
00425.53	Chemical Tubing, Red	50 ft
00425.54	Chemical Tubing, White	50 ft

**1.2. Optional Sani Alarm**

**Part Number 12508.00**



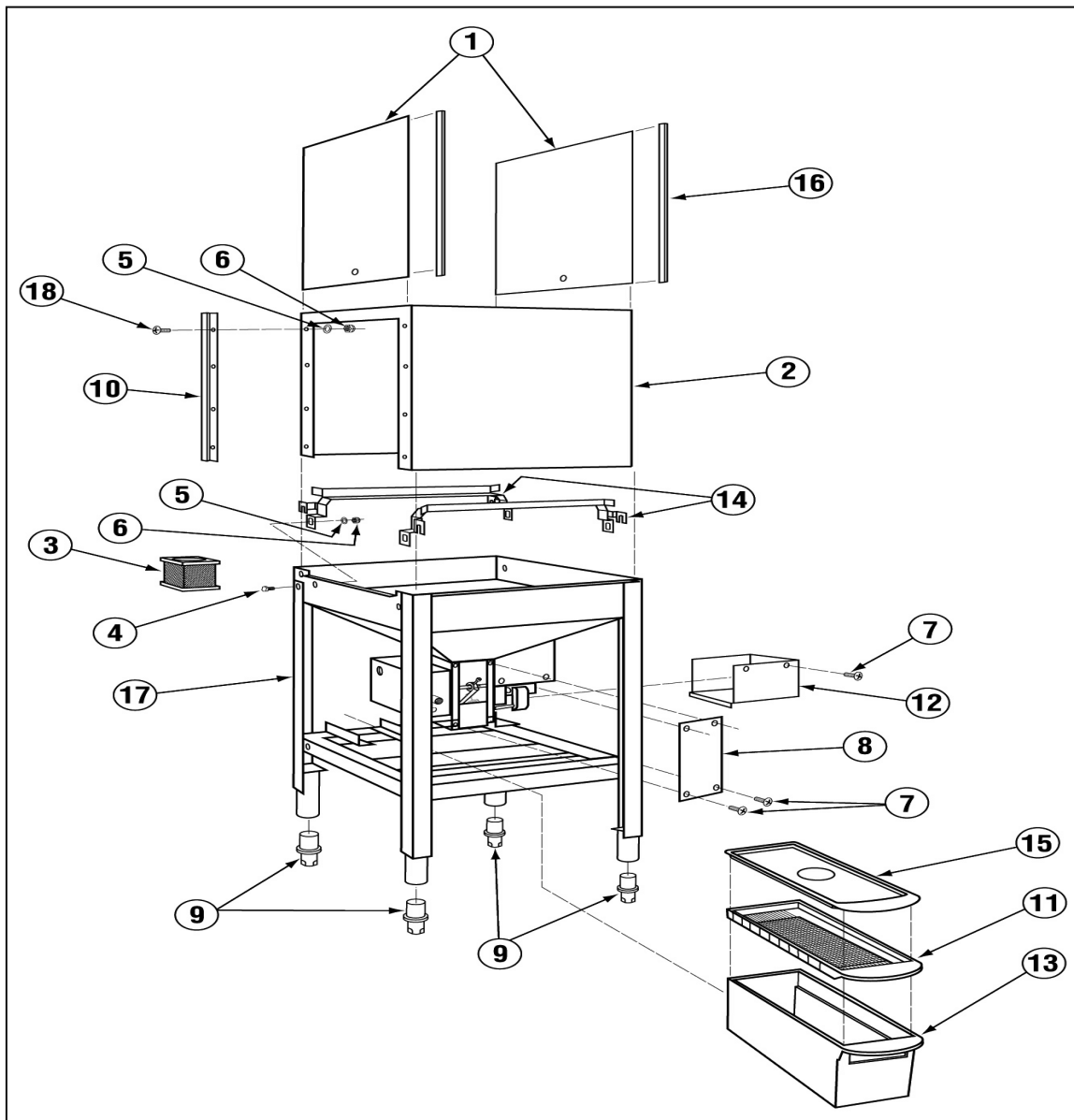
**Exploded View**

ITEM NO.	NO. REQ'D	P/N	DESCRIPTION
1	3	00400.00	Conduit, 3/8" Sealtite
2	1	00401.00	S.T. 3/8" Straight Connector
3	1	00402.00	S.T. 90 Degree 3/8" Connector
4	1	00406.00	Control Box Light, .5" Diameter, Red
5	1	00435.00	Squeeze Tube, 8"
6	1	00521.00	Wire, 18 Gauge, Orange, 6 ft.
7	1	00531.00	Wire, 18 Gauge, White, 6 ft.

ITEM NO.	NO. REQ'D	P/N	DESCRIPTION
8	5	00931.00	Wire Tie, Small
9	1	12510.00	Sanitizer Alarm Box Assembly
10	1	12511.00	Sanitizer Low Level Vacuum Switch
11	1	12512.00	Sanitizer Alarm Buzzer, 120 Volts
12	4	40126.10	#10 x 3/4" Sheet metal Screw
13	4	40127.00	Wall Anchors
14	1	00426.00	Y Hose Connector, 3/16"

### 1.3. Exploded View Drawings

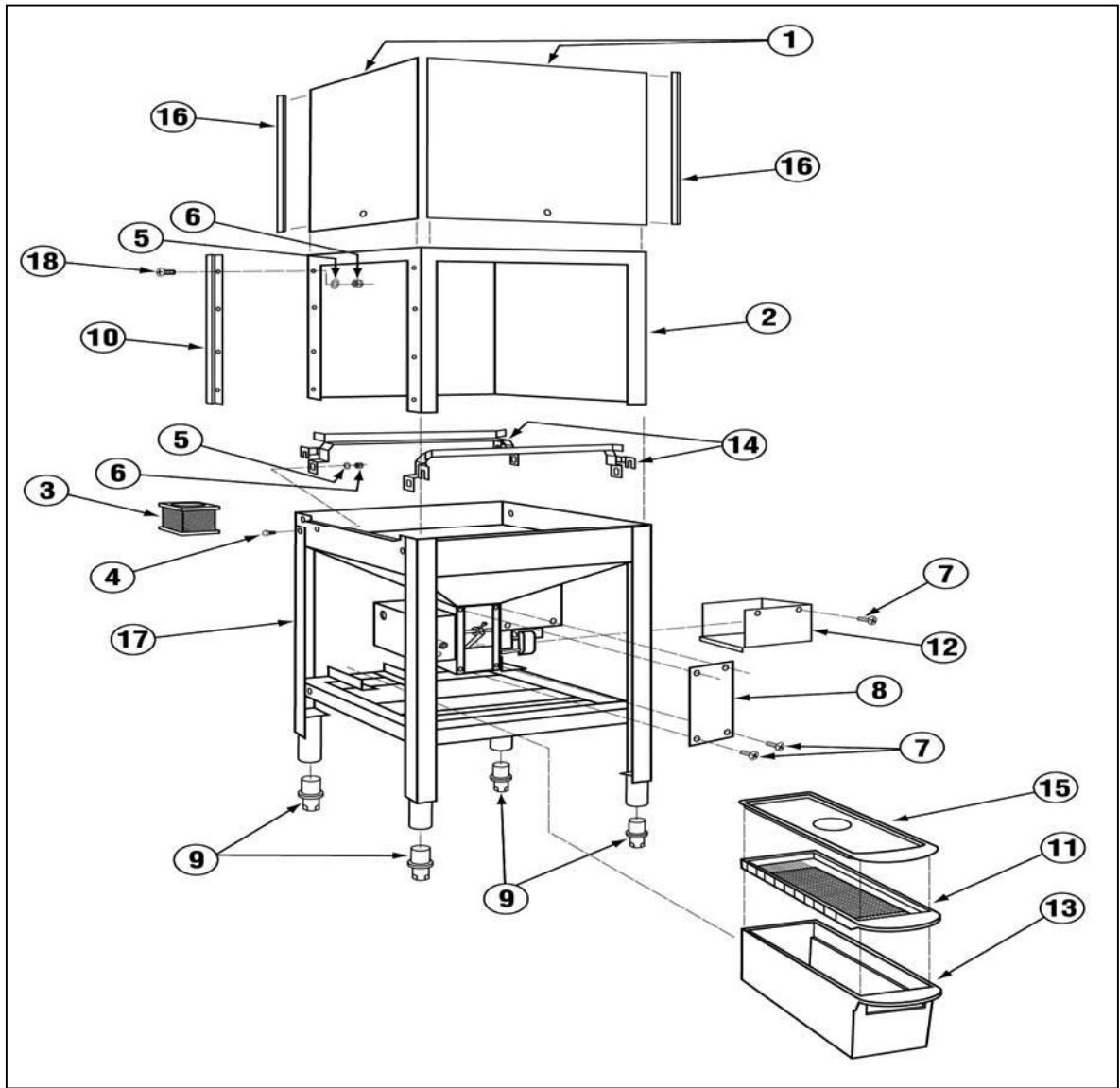
#### 1.3.1. Cabinet Assembly



ITEM NO.	NO. REQ'D	P/N	DESCRIPTION
1	2	01506.30	Door
2	1	01530.30	Wrapper
3	1	00115.85	Drain Screen
4	18	00906.00	1/4-20 x 1/2" Hex head Bolt
5	60	00924.00	1/4" SS Washer
6	40	00912.00	1/4-20 Nylon Lock Nut
7	6	00940.50	10-32 x 3/8" Truss Head Screw
8	1	00120.50	Power Drain Cover
9	4	01310.00	Bullet Foot
10	4	01554.30	Door Guide, SS

ITEM NO.	NO. REQ'D	P/N	DESCRIPTION
11	1	01577.20	Scrap Trap Drawer
12	1	01573.30	Sani Mount/Drain Lid
13	1	01577.10	Scrap Trap Body
14	2	01505.32	Tray Track, Inline
15	4	01577.25	Scrap Trap Lid
16	4	00636.10	EZ Glide Door Guide, Plastic
17	1	01502.30	Pan / Stand
18	16	00905.00	1/4-20 x 1/2" Truss Head Bolt

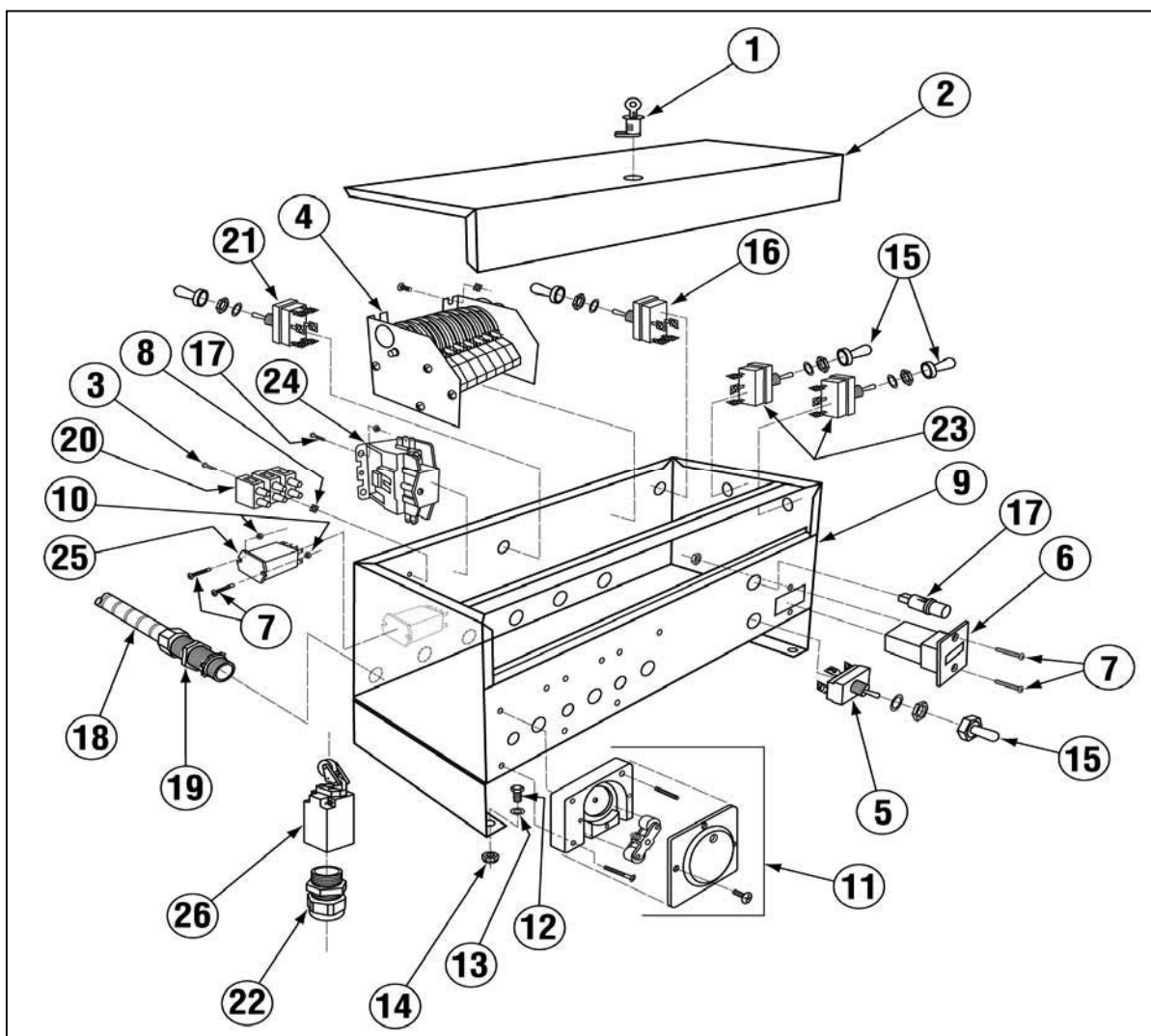
1.3.2. Cabinet Assembly for Corner EVA



ITEM NO.	NO. REQ'D	P/N	DESCRIPTION
1	2	01506.30	Door
2	1	01530.40	Wrapper, Corner
3	1	00115.85	Drain Screen
4	18	00906.00	1/4-20 x 1/2" Hex head Bolt
5	60	00924.00	1/4" SS Washer
6	40	00912.00	1/4-20 Nylon Lock Nut
7	6	00940.50	10-32 x 3/8" Truss Head Screw
8	1	00120.50	Power Drain Cover
9	4	01310.00	Bullet Foot, Plastic
10	4	01554.30	Door Guide, SS

ITEM NO.	NO. REQ'D	P/N	DESCRIPTION
11	1	01577.20	Scrap Trap Drawer Molded
12	1	01573.30	Sani Mount/Drain Lid
13	1	01577.10	Scrap Trap Body Molded
14	1	01505.04	Tray Track, Corner
15	4	01577.25	Scrap Trap Lid Molded
16	4	00636.10	EZ Glide Door Guide, Plastic
17	1	01502.30	Stand / Pan
18	16	00905.00	1/4-20 x 1/2" Truss Head Bolt

## 1.3.3. Control Box Assembly



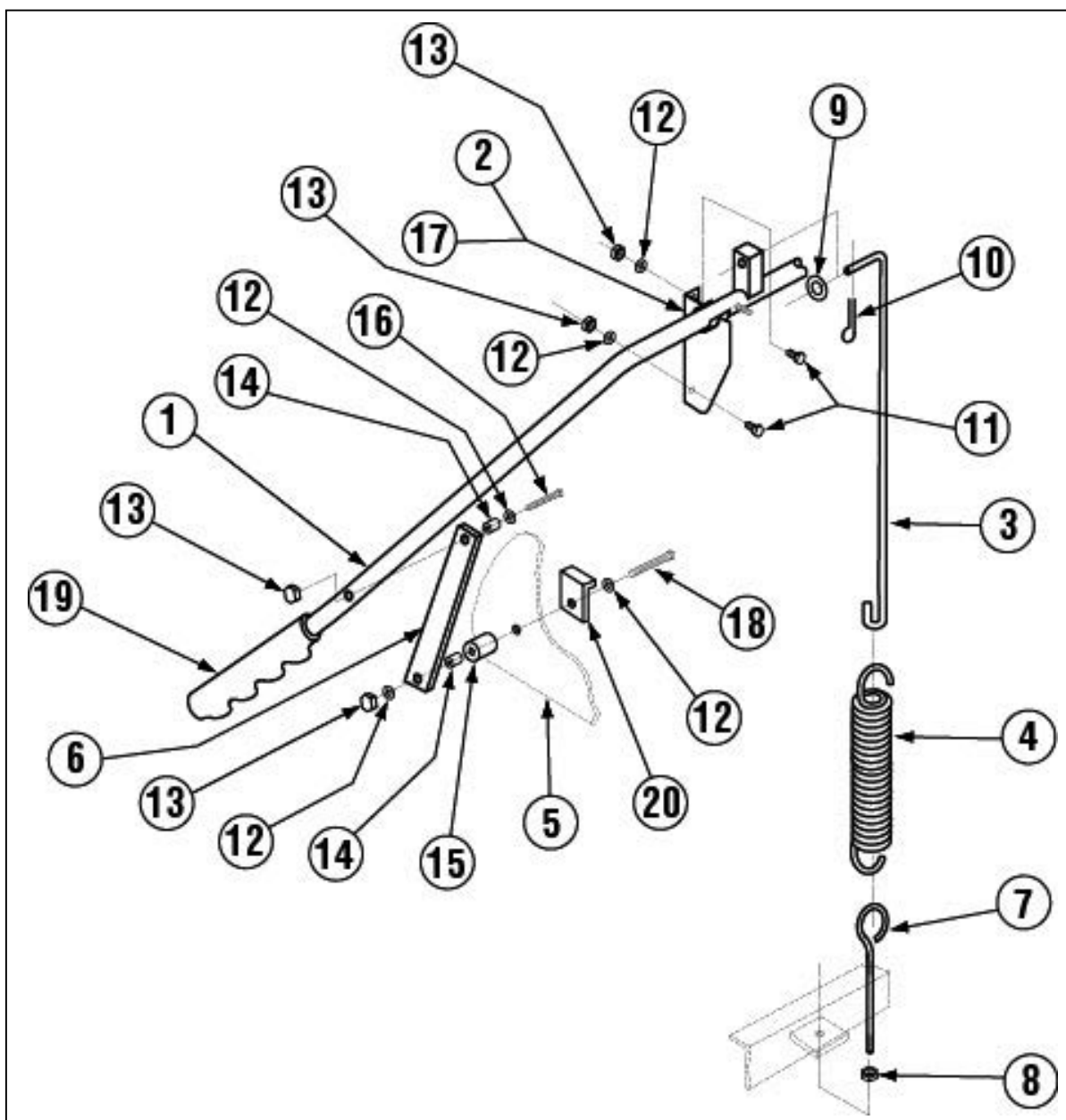
**Note:** Wiring Harness (V)—Part Number 00414.82—(not shown).

ITEM NO.	NO. REQ'D	P/N	DESCRIPTION
1	1	00449.00	Lock and Key
2	1	01504.09	Control Box Lid
3	5	00911.50	8-32 x 3/8" Pan Head Screw
4	1	00407.83	Timer, 90 Seconds
5	1	03470.01	Toggle Switch, Momentary
6	1	03408.50	Counter (Face Mount)
7	4	00907.00	6-32 x 1/2" SS Pan Head Screw
8	4	00917.00	8-32 PM Nut
9	1	01503.09	Control Box Body
10	4	00916.00	6-32 pm nut
11	3	00415.00	Peristaltic Pump Assembly*
12	4	00906.00	1/2-20 x 1/2" Hex Head Bolt
13	4	00924.00	1/4" SS Washer
14	4	00912.00	1/4-20 Nylon Lock Nut

ITEM NO.	NO. REQ'D	P/N	DESCRIPTION
15	5	00470.10	Toggle Switch Boot
16	1	00471.10	Toggle Switch Off/On 20 Amp
17	2	00406.00	Control Box Light, 120V, 60Hz
18	1	00400.00	Conduit, 3/8" Sealtite
19	3	00401.00	S.T. 3/8" Straight Connector
20	1	00454.10	3-Pole Socket Terminal Block
21	1	00475.00	Toggle Switch, 15 Amp
22	1	00562.60	Connector, #562 Door Limit Switch
23	2	03470.00	Toggle Switch
24	1	00404.82	Contactor Relay
25	1	00631.00	Ice Cube Relay
26	1	00562.00	Door Limit Switch, Roller Action

\*See section 1.3.10 Peristaltic Pump Assembly for details

1.3.4. Door Actuator Assembly

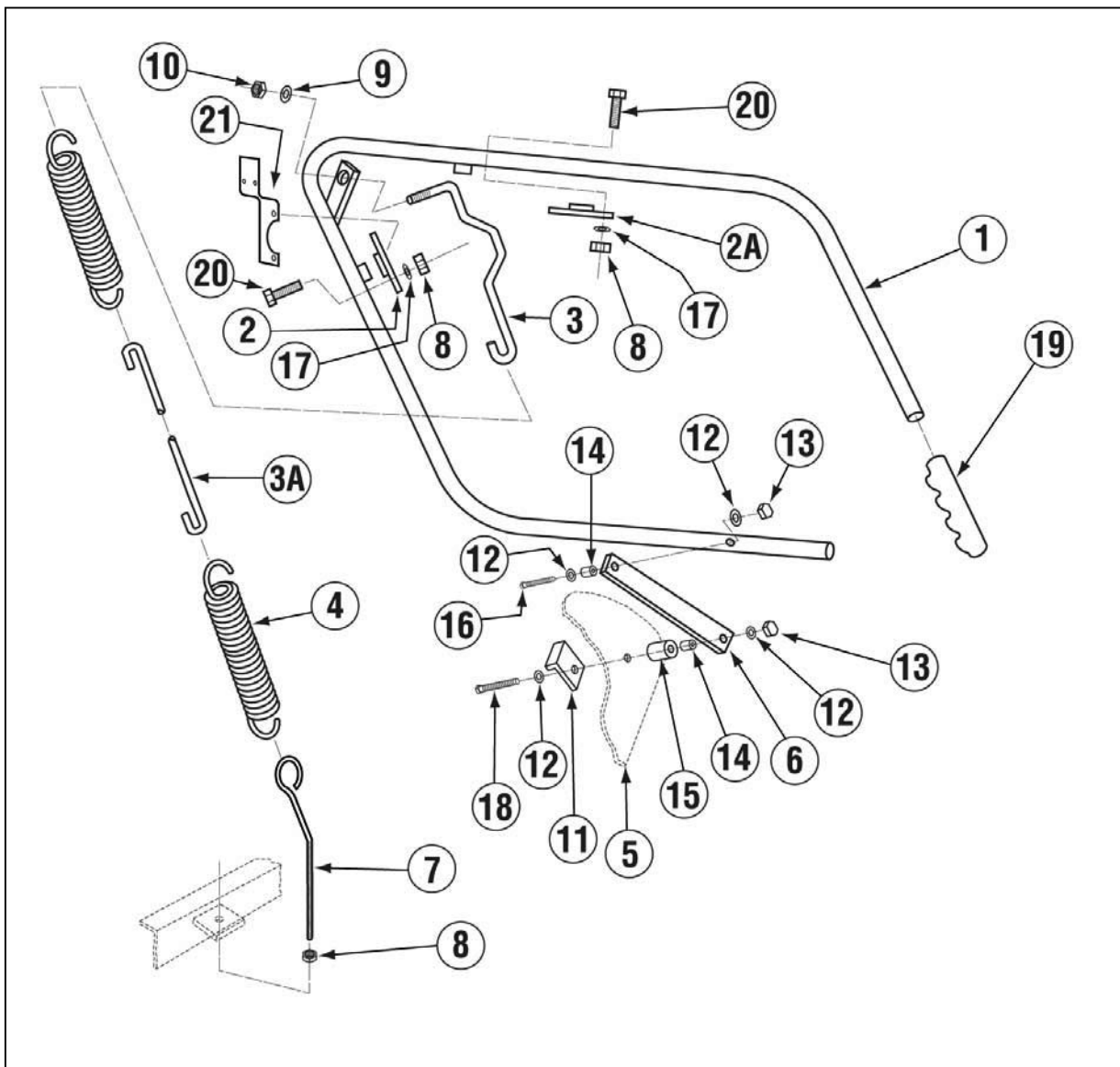


ITEM NO.	NO. REQ'D	P/N	DESCRIPTION
1	1	00613.32	Door Handle, 1"
2	1	01556.50	Door Handle Support, 1" (Right)
3	2	00603.07	Door Spring Extension Rod
4	2	00602.00	Door Spring
5	2	01506.30	Door (Cut Away)
6	2	01553.00	Door Handle Link
7	2	00606.00	5/16-18 x 7" Eyebolt
8	2	00913.00	5/16-18 Nut
9	2	00926.00	5/16" SS Washer
10	2	00900.00	Cotter Pin

ITEM NO.	NO. REQ'D	P/N	DESCRIPTION
11	4	00906.00	1/4-20 x 1/2" Hex Head Screw
12	6	00924.00	1/4" SS Washer
13	8	00912.00	1/4-20 Nylon Locknut
14	4	00610.00	Door Handle Spacer, Small
15	4	00611.00	Door Handle Spacer, Large
16	2	00910.00	1/4-20 x 1-1/2" Hex Bolt
17	1	01555.50	Door Handle Support, 1" (Left)
18	2	00903.00	1/4-20 x 1-3/4" Hex Head Bolt
19	2	00607.04	Door Handle Cap, 1"
20	2	01552.00	Door Stop



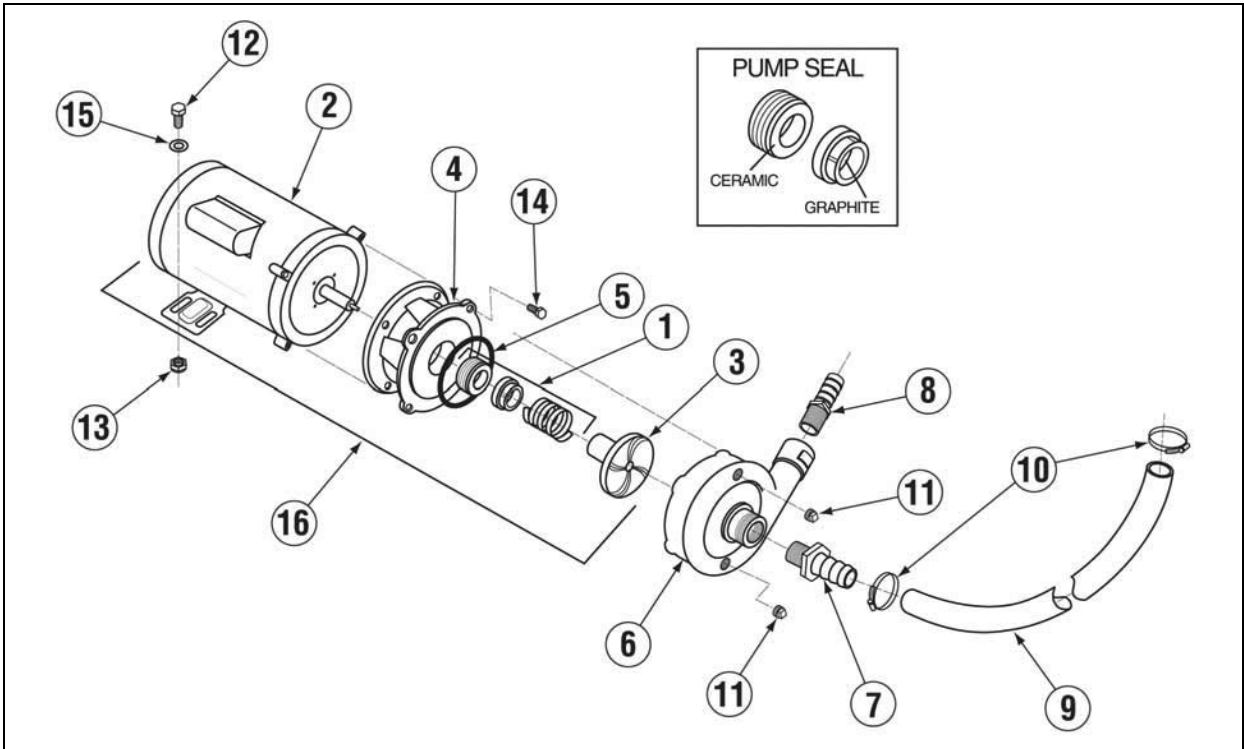
1.3.5. Door Actuator Assembly for Corner EVA



ITEM NO.	NO. REQ'D	P/N	DESCRIPTION
1	1	00613.44	Door Handle EVA-C
2	1	00619.34	Door Handle Mounting Plate, Long
2A	1	00619.44	Door Handle Mounting Plate, Short
3	1	00603.84	Extension Rod EVA-C
3A	1	00604.84	Door Extension Link
4	2	00602.00	Door Spring
5	2	01506.30	Door
6	2	01553.00	Door Handle Link
7	1	00606.82	5/16-18 x 7\"/>
8	9	00913.00	5/16-18 Nut
9	9	00926.00	5/16 SS Washer
10	1	13805.00	5/16-18 Nylon Lock Nut

ITEM NO.	NO. REQ'D	P/N	DESCRIPTION
11	2	01552.00	Door Stop
12	6	00924.00	1/4\"/>
13	4	00912.00	1/4-20 Nylon Lock Nut
14	4	00610.00	Door Handle Spacer, Small
15	4	00611.00	Door Spacer, Large
16	2	00903.00	1/4-20 x 1-3/4\"/>
17	8	00926.00	5/16\"/>
18	2	00910.00	1/4-20 x 1-1/2\"/>
19	2	00607.04	Door Handle Cap
20	8	00920.00	5/16-18 x 3/4\"/>
21	1	00563.20	Limit Switch Door Bracket, E-VAC

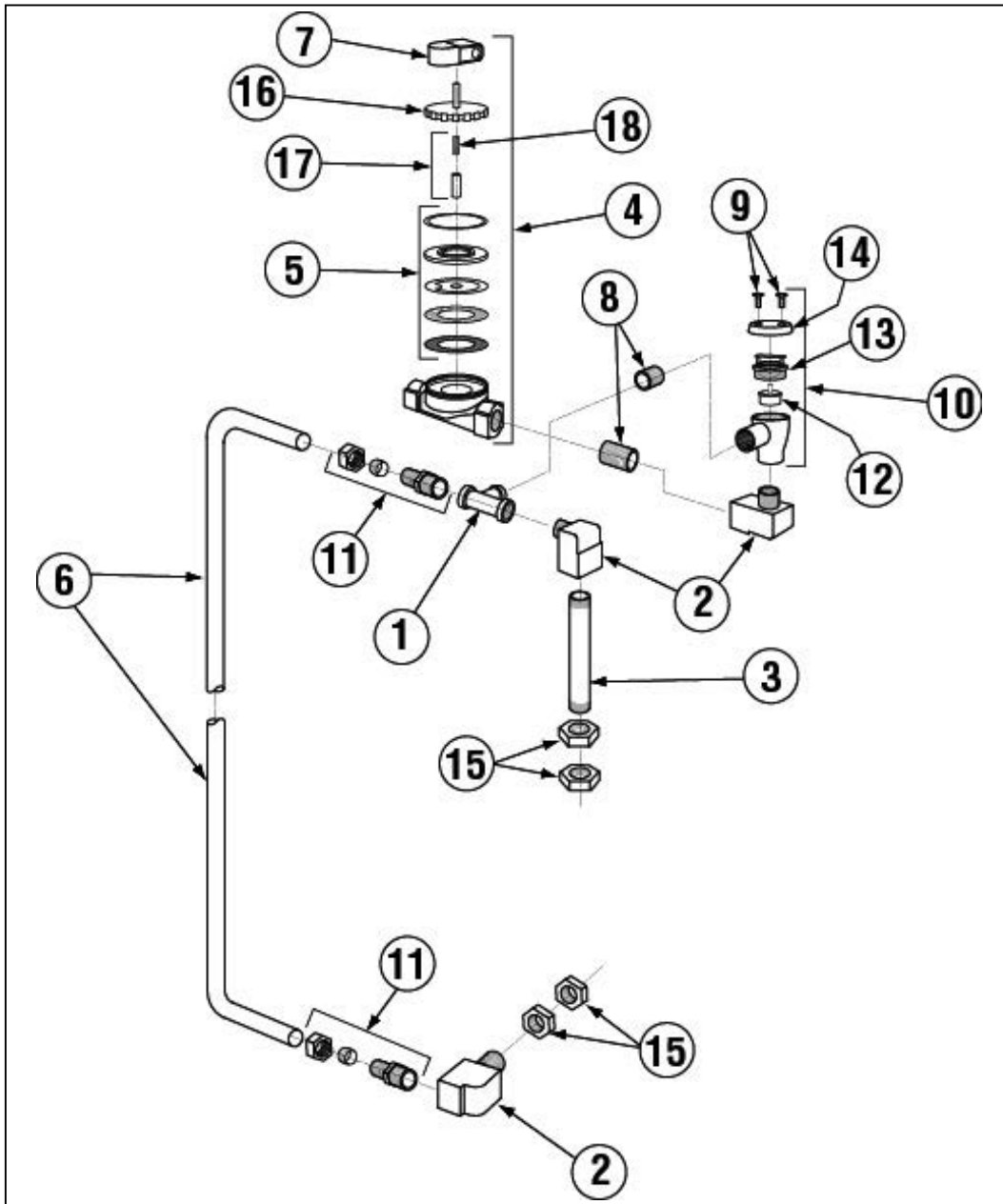
1.3.6. Pump Assembly



Item	Qty	PartNo	Description
1	1	00206.00	Pump Seal Kit
2	1	00201.00	Pump Motor 1Hp 115/208-230V
3	1	03222.05	Impeller (Universal) Open
4	1	03224.00	Pump Base
5	1	03226.00	Pump O Ring Gasket
6	1	04206.00	Pump Cover
7	1	50302.40	1 1/4" MIP X 1" Barb Fitting
8	1	50302.06	1" MPT X 1" Barb PVC Sch 80

Item	Qty	PartNo	Description
9	1	03108.83	Intake Hose EVA 10 1/2"
10	2	03101.00	Hose Clamp # 16 1"
11	2	00238.00	3/8 Male Plug
12	1	00906.00	1/4-20 X 1/2 Hexhead Bolt
13	1	00912.00	1/4-20 Nylon Lock Nut
14	4	00921.00	3/8-16 X 3/4 SS Hexhead Bolt
15	1	00924.00	1/4 SS Washer
16	1	00200.10	Pump Assy 110/220V 60Hz open

1.3.7. Plumbing System Assembly



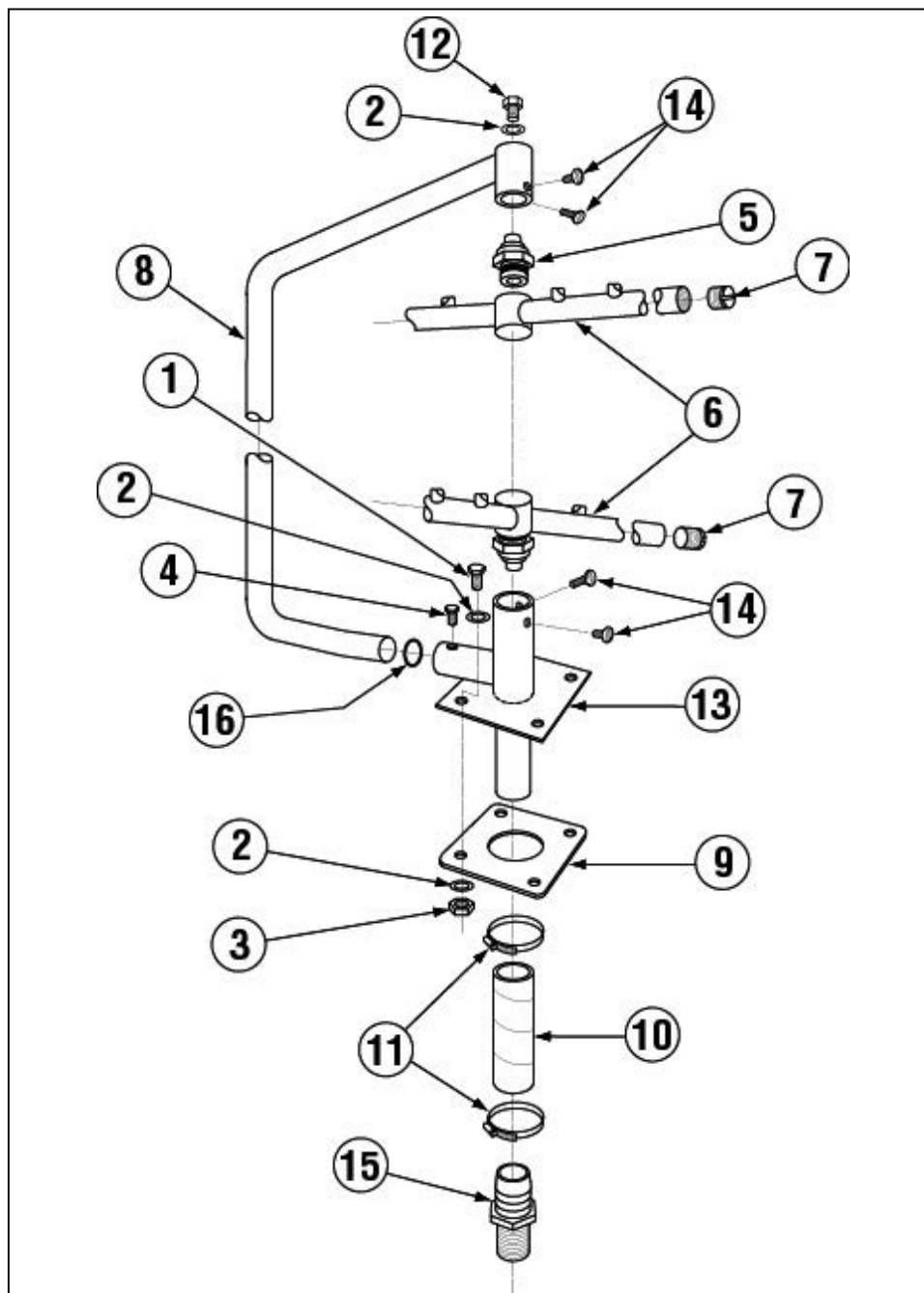
ITEM NO.	NO. REQ'D	P/N	DESCRIPTION
1	1	00743.10	1/2" Tee, F x F x F
2	3	00745.00	1/2" Street Elbow
3	1	00747.10	1/2" x 5" Nipple
4	1	03603.10	1/2" Water Solenoid Assembly, J/E*
5	1	00707.00	1/2" Water Solenoid Repair Kit
6	1	00796.20	Flush Tube
7	1	00738.10	Water Solenoid Coil
8	2	00742.00	1/2" x 1-1/2" Brass Nipple
9	2	00421.51	6-32 x 1/4" Pan Head Screw

\*Item 4 includes items 5, 7, 16 & 17

ITEM NO.	NO. REQ'D	P/N	DESCRIPTION
10	1	03624.00	Vacuum Breaker Assembly, Watts**
11	2	00760.00	5/8" Compression x 1/2" MIP Adapter
12	1	03623.00	1/2" Vacuum Breaker Repair Kit
13	1	03624.25	1/2" Vacuum Breaker Bonnet, Brass
14	1	00739.50	Vacuum Breaker Cap, SS (fits 1/2" or 3/4")
15	4	00721.00	1/2" Jamb Nut
16	1	03603.20	1/2" Water Solenoid Bonnet
17	1	00786.00	Water Solenoid Valve Plunger w/Spring
18	1	00706.10	Valve Plunger, Spring Only

\*\*Item 10 includes items 9, 12, 13 & 14

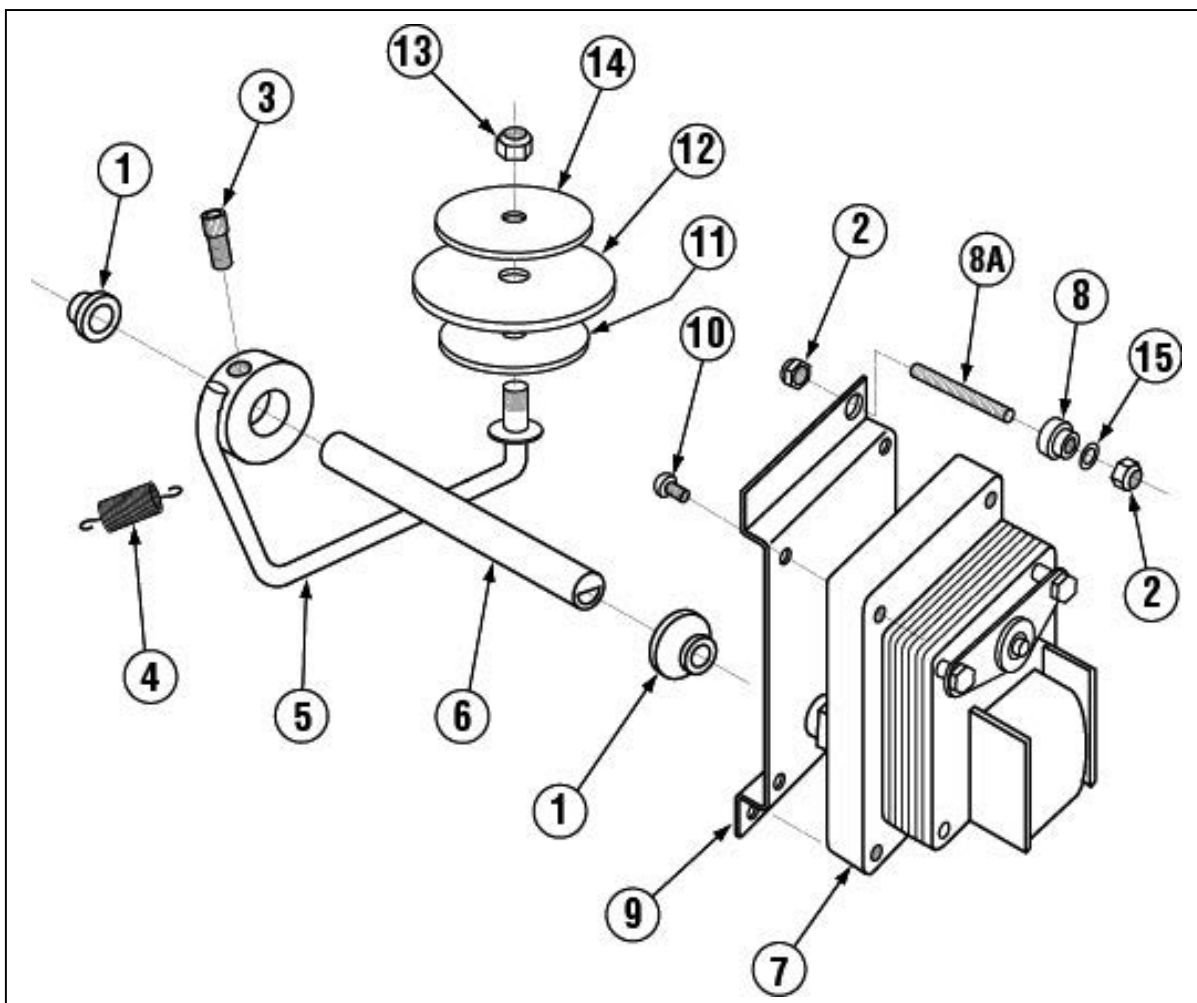
1.3.8. Spray System Assembly



ITEM NO.	NO. REQ'D	P/N	DESCRIPTION
1	4	00914.00	1/4-20 x 3/4" Hex Head Bolt
2	9	00924.00	1/4" SS Washer
3	4	00912.00	1/4-20 Nylon Lock Nut
4	1	00966.10	10-32 x 1/4" Hex Head SS Bolt
5	2	00341.20	Spray Arm Bearing, Welded
6	2	00304.20	Spray Arm, E-VA
7	4	00308.20	Spray Arm End Plug, E-VA
8	1	00305.02	Spray Manifold, E-VA

ITEM NO.	NO. REQ'D	P/N	DESCRIPTION
9	1	04306.00	Square Manifold Gasket
10	1	03108.81	Discharge Hose EVA 8 3/4"
11	2	03101.00	Hose Clamp
12	1	00905.82	1/4-20 x 3/8" Truss Head Bolt
13	1	00357.00	Lower Spray Base, E-VA
14	4	00955.00	5/16-18 x 5/8" Thumbscrew
15	1	50302.06	1" MPT X 1" Barb PVC Schedule 80
16	1	00302.84	Spray Base O-Ring, E-VA

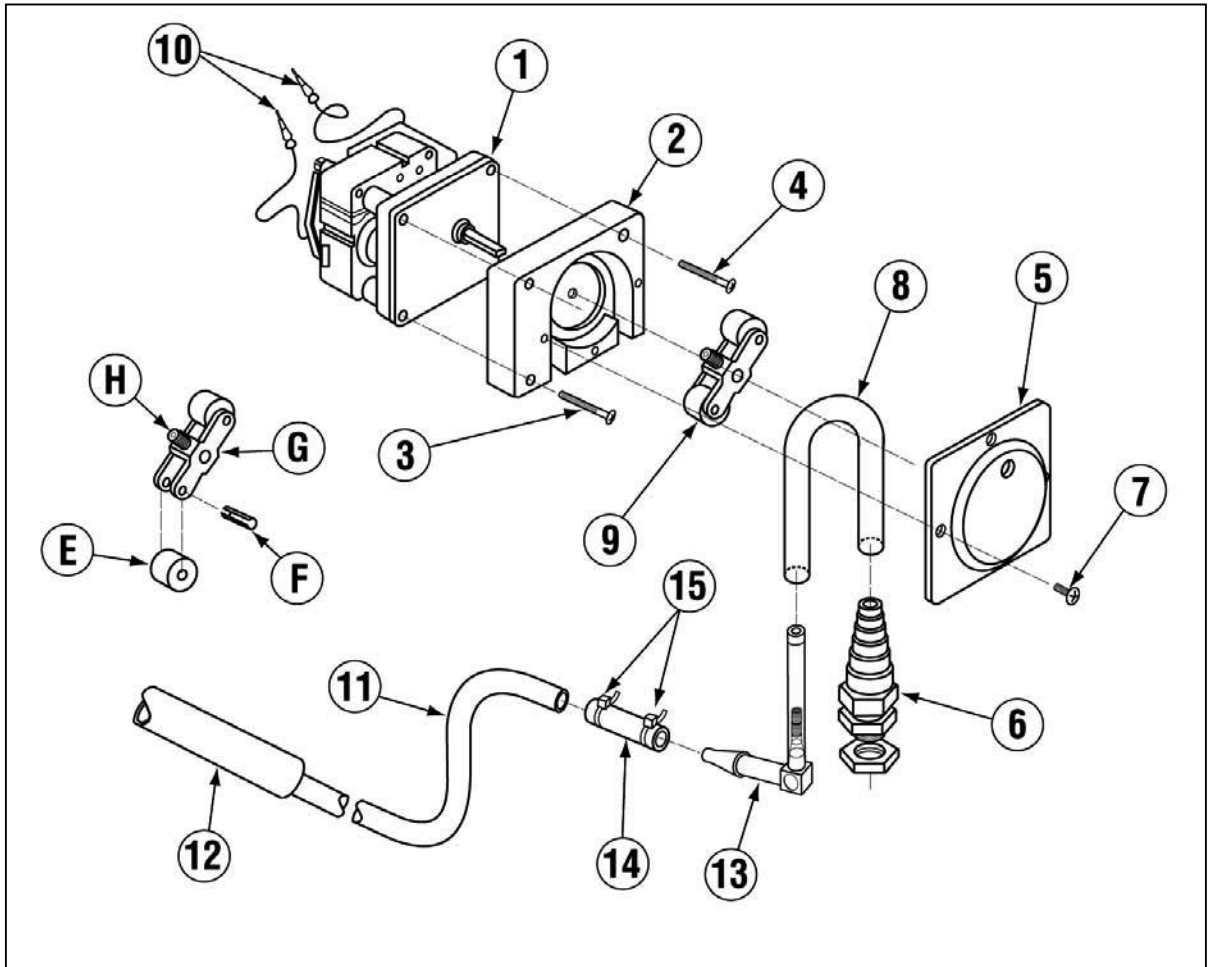
1.3.9. Power Drain Assembly



ITEM NO.	NO. REQ'D	P/N	DESCRIPTION
1	2	00938.82	1/2" Drain Bushing, Brass (V)
2	4	03801.00	10-32 Lock Nut
3	1	00906.82	1/4-20 x 5/8" Socket Head Screw
4	1	00105.82	Drain Spring (V)
5	1	00108.82	Drain Actuator Arm
6	1	00109.82	Drain Actuator Shaft (V)
7	1	00104.82	50 RPM Drain Motor, 117V 60Hz
8	2	00109.40	Shoulder Nut, SS

ITEM NO.	NO. REQ'D	P/N	DESCRIPTION
8A	2	00109.50	10-32 x 1" Stud
9	1	01511.84	Drain Motor Bracket – 3 <sup>rd</sup> Generation
10	2	00941.00	10-32 x 5/8" Pan Head Screw
11	1	01520.82	Diaphragm Support Disk, 1-1/8"
12	1	00121.60	Drain Diaphragm
13	1	00912.00	1/4-20 Nylon Lock Nut
14	1	01521.82	Diaphragm Support Disk, 2"
15	2	04806.00	#10 Brass Washer

1.3.10. Peristaltic Pump Assembly



ITEM NO.	NO. REQ'D	P/N	DESCRIPTION
1	1	00416.00	Peristaltic Pump Motor
2	1	00417.00	Peristaltic Pump Block
3	2	00919.00	10-32 x 1-1/2" Pan Head Screw
4	1	00918.00	10-32 x 1-1/2" Fillister Head Screw
5	1	00418.00	Peristaltic Pump Block Cover
6	1	03415.50	Flex-Tight Fitting
7	4	00911.00	8-32 x 1/2" Pan Head Screw
8	1	00435.00	Squeeze Tube
9	1	00419.00	2-Bearing Rotor Assembly
13	2	03426.00	Sight Glass 90 Deg Elbow

ITEM NO.	NO. REQ'D	P/N	DESCRIPTION
E	2	00423.00	Rotor Bearing
F	2	00422.00	Rotor Bearing Pin
G	1	00424.00	Rotor Bearing Carriage
H	1	00935.00	1/4-20 x 1/4" Allen Screw
10	2	00448.00	Barrel Connector, Male
11	1	00425.51	Chemical Tubing, Blue
		00425.53	Chemical Tubing, Red
		00425.54	Chemical Tubing, White
12	1	00443.00	Tube Stiffener
14	2	00435.11	Squeeze Tube 3"
15	4	00932.00	Twist tie