



MODEL GWX-200

PARTS MANUAL

Rev. 1.00A



CMA DISHMACHINES
12700 KNOTT AVENUE
GARDEN GROVE, CALIFORNIA 92841

800-854-6417

FAX 714-895-2141

www.cmadishmachines.com

TABLE OF CONTENTS

MODEL GWX-200

1. PARTS MANUAL	3
1.1. INITIAL PARTS KIT (P/N 4001.00).....	3
1.2. OPTIONAL SANI ALARM	4
1.3. EXPLODED VIEW DRAWINGS.....	5
1.3.1. Cabinet Assembly	5
1.3.2. GLX Door Assembly	6
1.3.3. Spray System Assembly.....	7
1.3.4. S/S Pump Assembly.....	8
1.3.5. Plumbing System Assembly (Effective August 2012).....	9
1.3.6. Plumbing System Assembly.....	10
1.3.7. Drain System Assembly.....	11
1.3.8. Control Box	12
1.3.9. Control Panel	13
1.3.10. Power Box	14
1.3.11. Peristaltic Pump Assembly	15
1.3.12. Drain Valve	16
1.3.13. Heater Assembly.....	17

1. Parts Manual

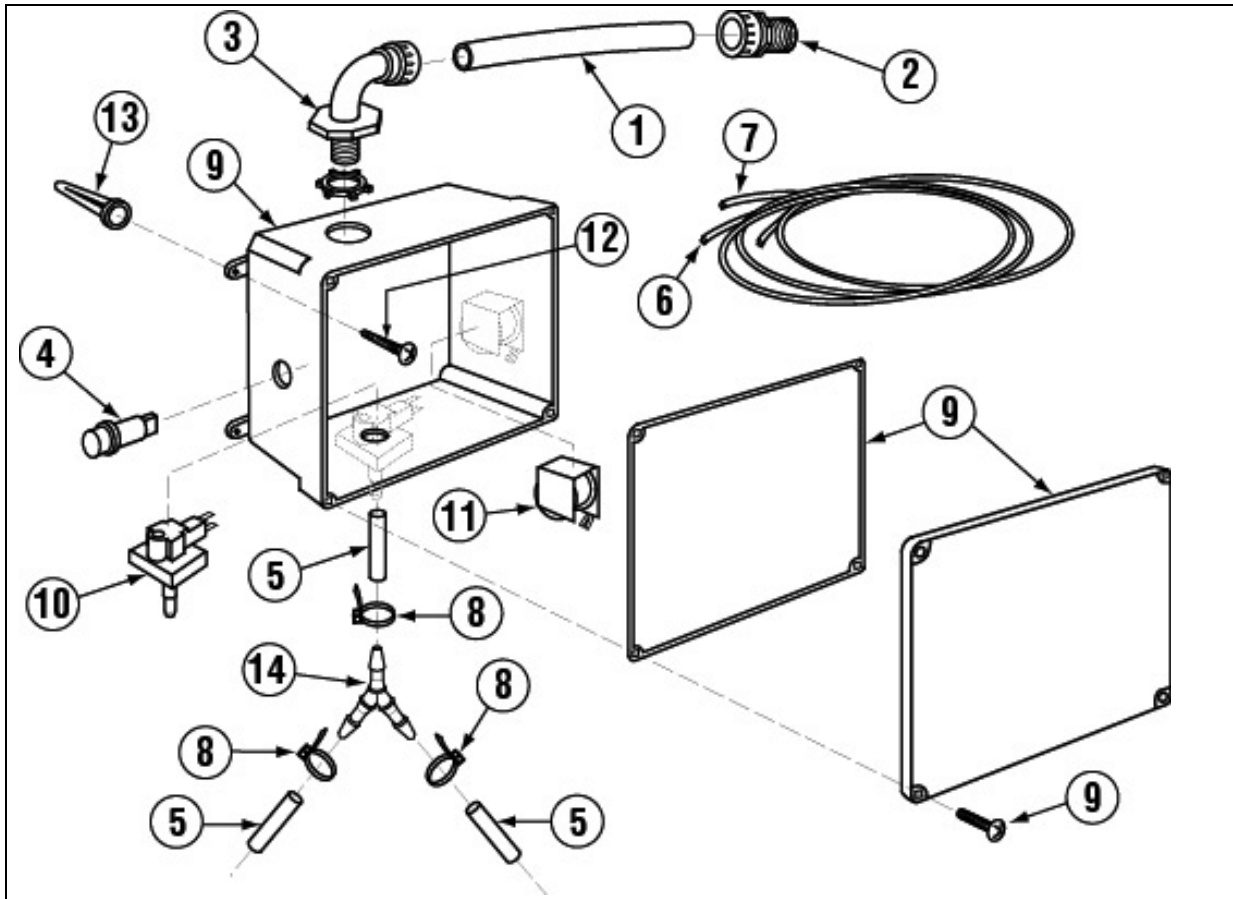
1.1. Initial Parts Kit (P/N 4001.00)

P/N	DESCRIPTION	Qty
00200.10	Pump Assy, 110/220V 60 Hz, Open	1
00206.30	Pump Seal Kit	1
00208.40	Slip Joint Nut Gasket	1
00304.03	Spray Arm B GL-X	1
00308.50	Spray Arm End Plug SS	1
00404.82	Motor Contactor Relay	1
00411.00	Micro Switch	1
00415.00	Peristaltic Pump Assembly, 120V/60Hz	1
00421.40	Fill/Start Rocker Switch	1
00425.51	Chemical Tubing Blue	50 ft.
00425.53	Chemical Tubing Red	50 ft.
00425.54	Chemical Tubing White	50 ft.
00458.00	Squeeze Tube, Black (Detergent)	1
00501.00	Timer Motor, 2-Minute	1
00556.10	Reed Switch, ISI	1
00715.00	1/2 Ball Check Valve	1
02257.00	Squeeze Tube, 8", Silicone	1
02257.30	Squeeze Tube, 30"	1
03415.00	Chemical Tube Bulkhead	1
03415.60	Chemical Bulkhead (Teflon) Assy	1
03480.00	Drain Rocker Switch	1
03604.30	Dema Valve Repair Kit 3/8", 1/2" & 3/4	1
04110.00	SS L1-C/L-1X Drain Screen	1
04113.00	GL-X Drain Valve, 120V	1
04303.00	GL-X Spray Arm Bearing	1
04305.10	Red Silicone Gasket, 1/16 Thick	1
04517.15	Door Stop (Parallel)	1

NOTE: CMA recommends that the initial parts kit be kept on hand as a back up supply of critical parts in the event your machine should require emergency service. All the parts included in this kit are unique to the GL-X glasswasher.

1.2. Optional Sani Alarm

Part Number 12508.00



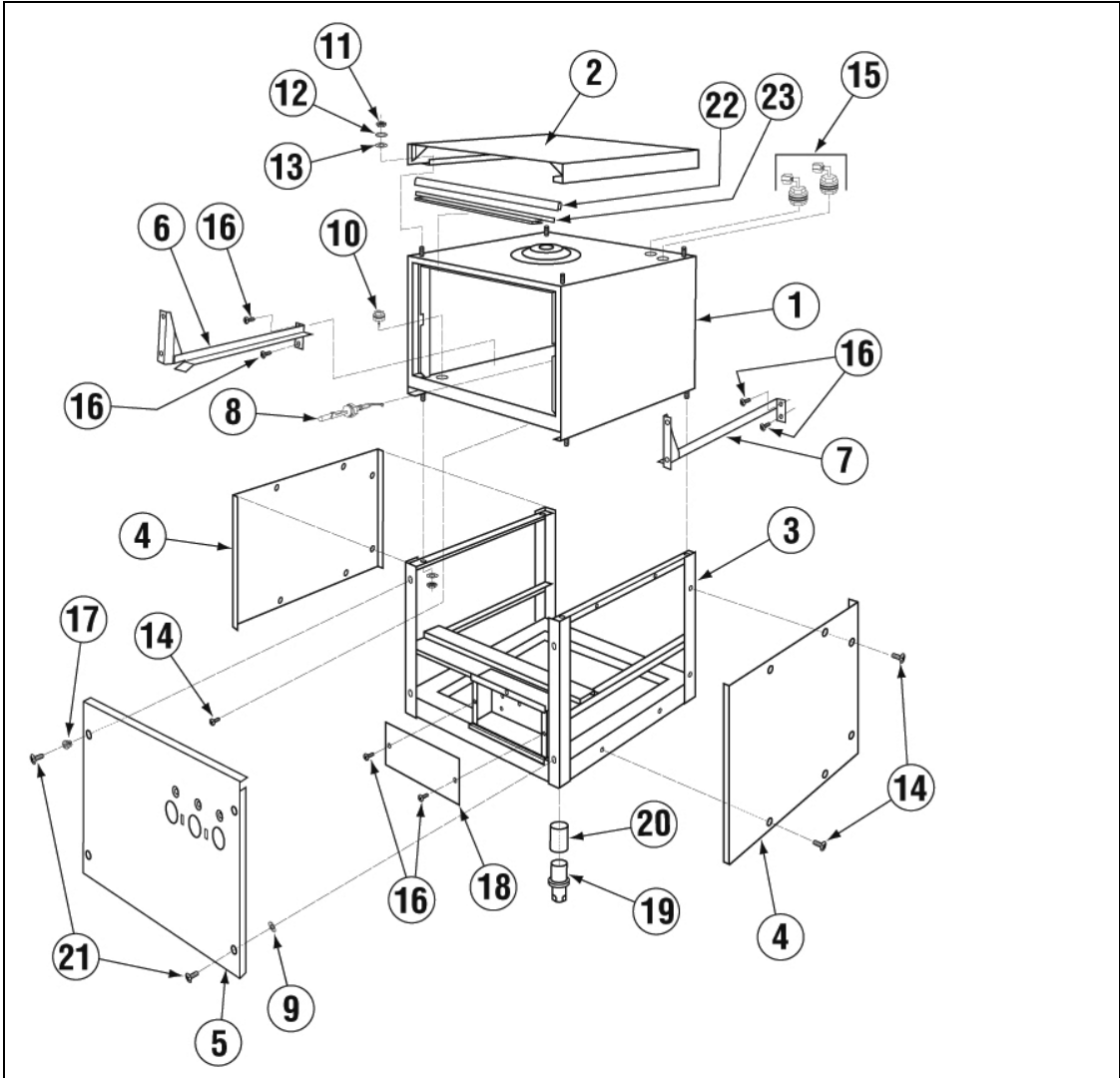
Exploded View

ITEM NO.	NO. REQ'D	P/N	DESCRIPTION
1	3	00400.00	Conduit, 3/8" Sealtite
2	1	00401.00	S.T. 3/8" Straight Connector
3	1	00402.00	S.T. 90 Degree 3/8" Connector
4	1	00406.00	Control Box Light, .5" Diameter, Red
5	1	00435.00	Squeeze Tube, 8"
6	1	00521.00	Wire, 18 Gauge, Orange, 6 ft.
7	1	00531.00	Wire, 18 Gauge, White, 6 ft.

ITEM NO.	NO. REQ'D	P/N	DESCRIPTION
8	5	00931.00	Wire Tie, Small
9	1	12510.00	Sanitizer Alarm Box Assembly
10	1	12511.00	Sanitizer Low Level Vacuum Switch
11	1	12512.00	Sanitizer Alarm Buzzer, 120 Volts
12	4	40126.10	#10 x 3/4" Sheet metal Screw
13	4	40127.00	Wall Anchors
14	1	00426.00	Y Hose Connector, 3/16"

1.3. Exploded View Drawings

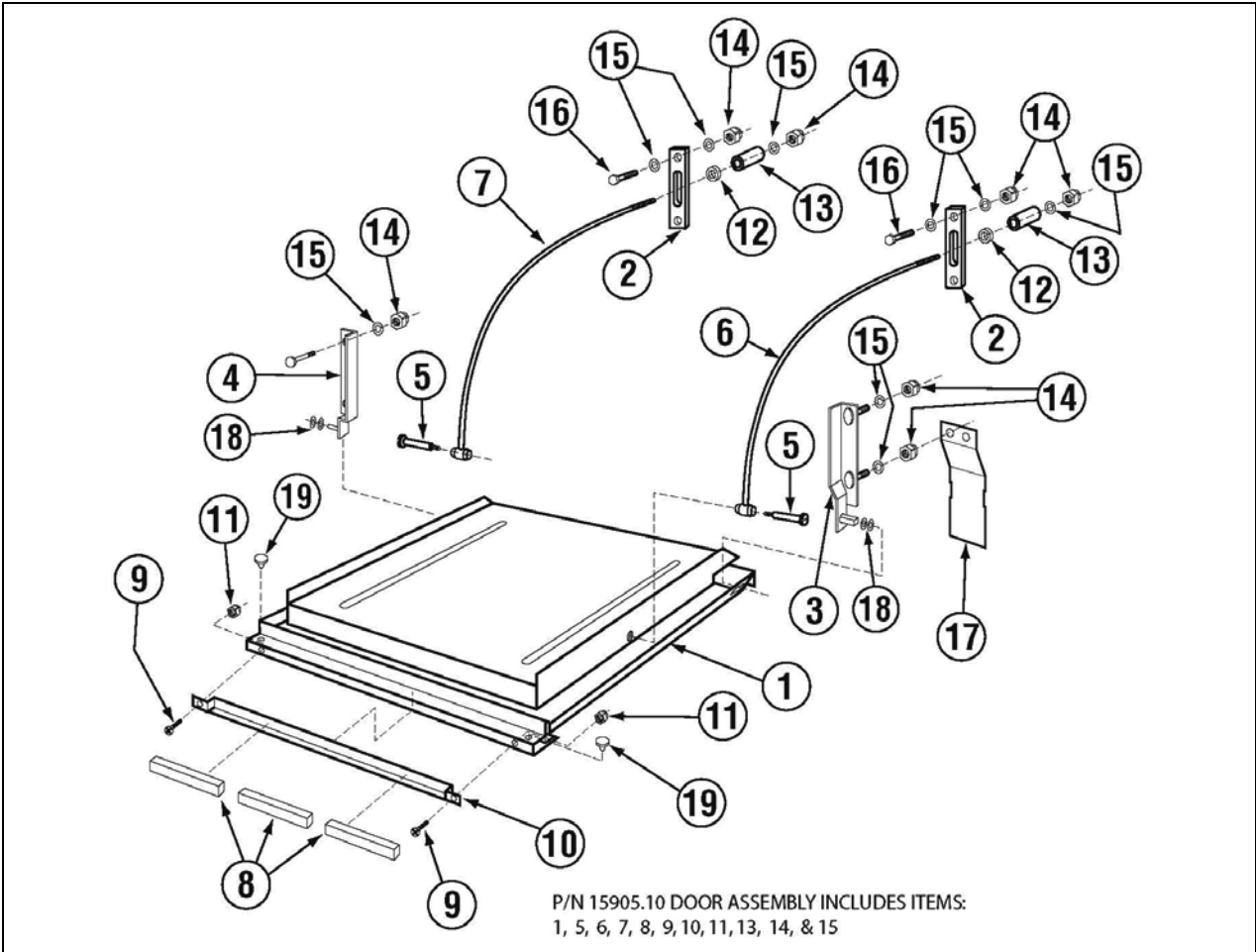
1.3.1. Cabinet Assembly



ITEM NO.	NO. REQ'D	P/N	DESCRIPTION
1	1	15901.62	GL-X Body
2	1	14503.50	GL-X EZ Top
3	1	15902.62	GL-X Stand
4	2	15902.84	GL-X Stand Panel
5	1	15915.62	GL-X Peri-Pump Panel
6	1	04912.60	GL-X Tray Track (LH)
7	1	04911.60	GL-X Tray Track (RH)
8	1	13463.10	Liquid Level Switch
9	2	03816.00	Nylon Retaining Washer
10	1	03415.60	Chem. Tube Bulkhead
11	12	00912.00	1/4" SS Nut
12	4	00922.00	1/4" Lock Star Washer

ITEM NO.	NO. REQ'D	P/N	DESCRIPTION
13	1	00924.00	1/4" SS Washer
14	2	00940.50	10-32 X 3/8" Truss Head Screw
15	2	03415.00	Chemical Tube Bulkhead
16	16	00914.00	10-32 X 5/8" Panhead Screw
17	12	00439.00	Snap Bushing 500-6
18	1	15922.62	GL-X Electrical Cover
19	4	01310.00	Bullet Foot
20	4	01572.64	GL-X Leg
21	4	00941.00	10-32 X 5/8" Panhead Screw
22	1	14506.50	Door Gasket
23	1	14506.45	Gasket Bracket

1.3.2. GLX Door Assembly

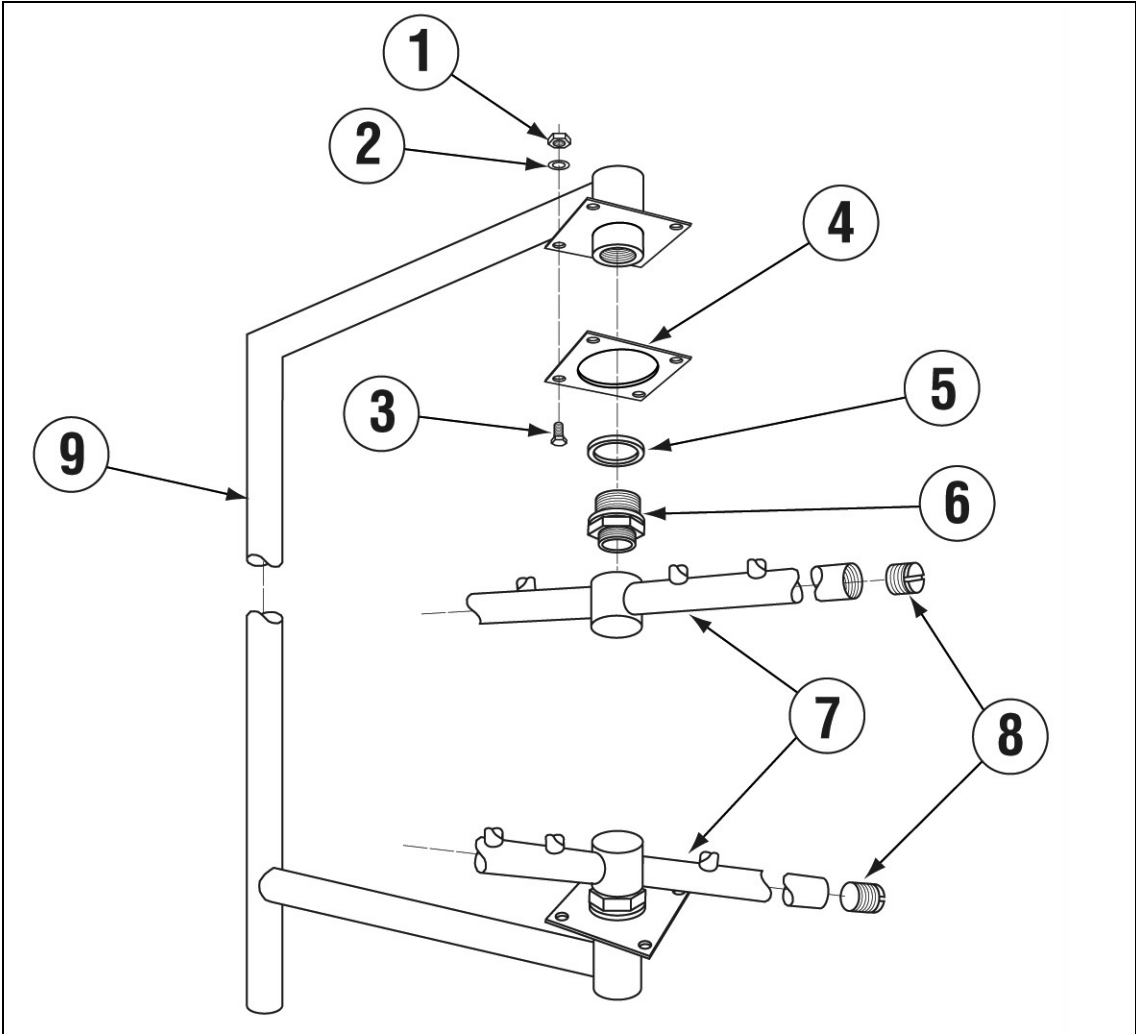


P/N 15905.10 DOOR ASSEMBLY INCLUDES ITEMS: 1,5,7,9,10,11,13,14 & 15.

ITEM NO.	NO. REQ'D	P/N	DESCRIPTION
1	2	15906.60	GL-X Door
2	2	04517.60	Door Support Rod Block
3	1	14570.00	Door Hinge
4	1	14570.50	Door Hinge (LH)
5	2	04919.00	Door Rod Screw
6	1	04918.64	Door Support Rod
7	1	04919.64	Door Support Rod
8	8	00557.80	Door Magnet
9	2	00970.60	6 32 x 1/2" Flathead Screw
10	1	14558.61	Door Magnet Holder

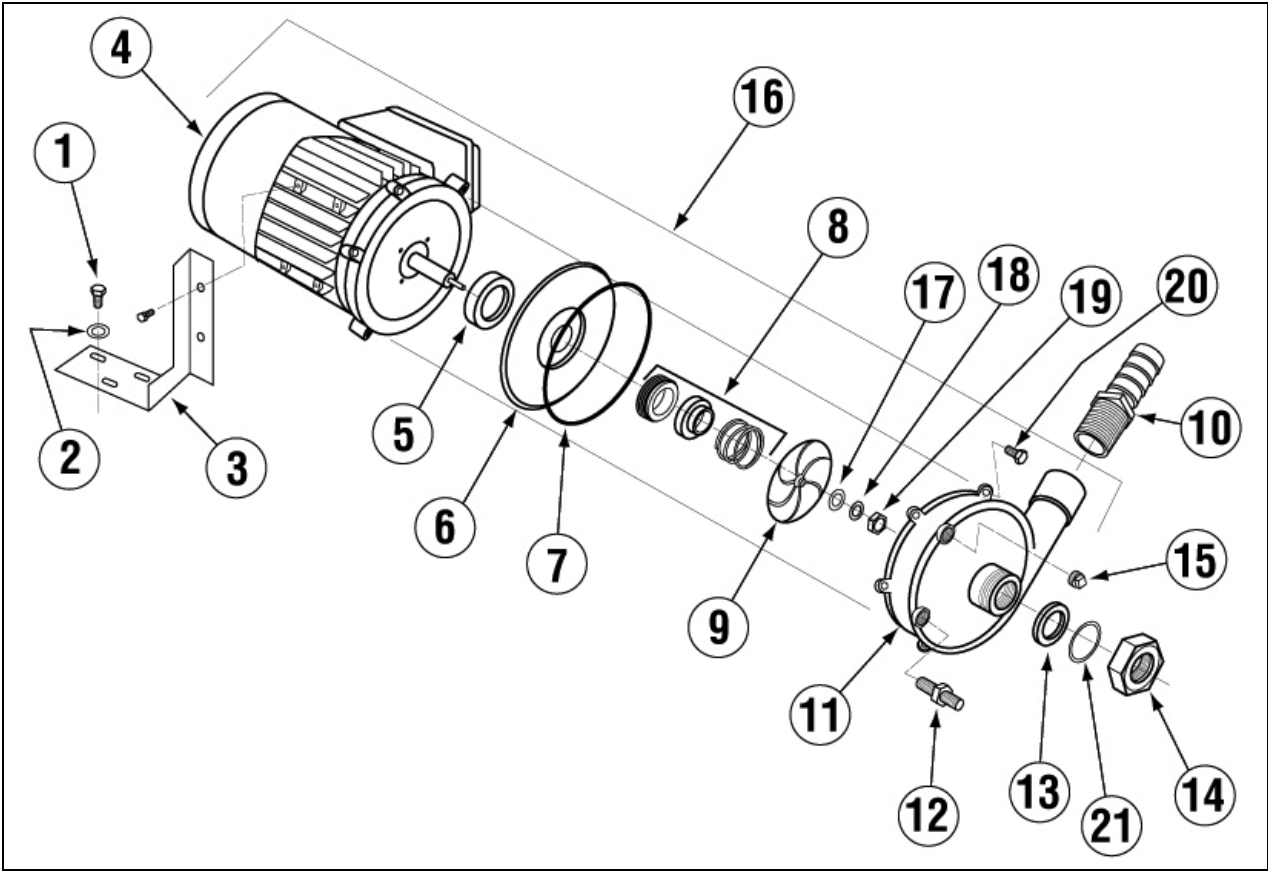
ITEM NO.	NO. REQ'D	P/N	DESCRIPTION
11	2	00965.00	6-32 Lock Nut
12	2	00605.20	Door Rod Spacer
13	2	04517.15	Door Stop (Parallel)
14	10	00912.00	1/4"-20 Nylon Lock Nut
15	14	00924.00	1/4" SS Washer
16	4	00914.10	1/4"-20 x 5/8" Hex Head Bolt
17	2	14518.00	Splash Guard
18	4	00924.00	1/4" SS Washer
19	2	00605.00	Door Handle Button

1.3.3. Spray System Assembly



ITEM NO.	NO. REQ'D	P/N	DESCRIPTION
1	8	00912.00	1/4"-20 Nylon Lock Nut
2	16	00924.00	1/4" SS Washer
3	8	00929.00	1/4"-20 x 3/4" Truss Head Bolt
4	2	04306.00	Square Manifold Gasket
5	2	04305.10	Red Silicon Gasket
6	2	04303.00	Spray Arm Bearing
7	2	00304.03	Spray Arm "B" Series
8	4	00308.50	Spray Arm End Plug
9	1	04304.64	GWX-200 Spray Manifold

1.3.4. S/S Pump Assembly

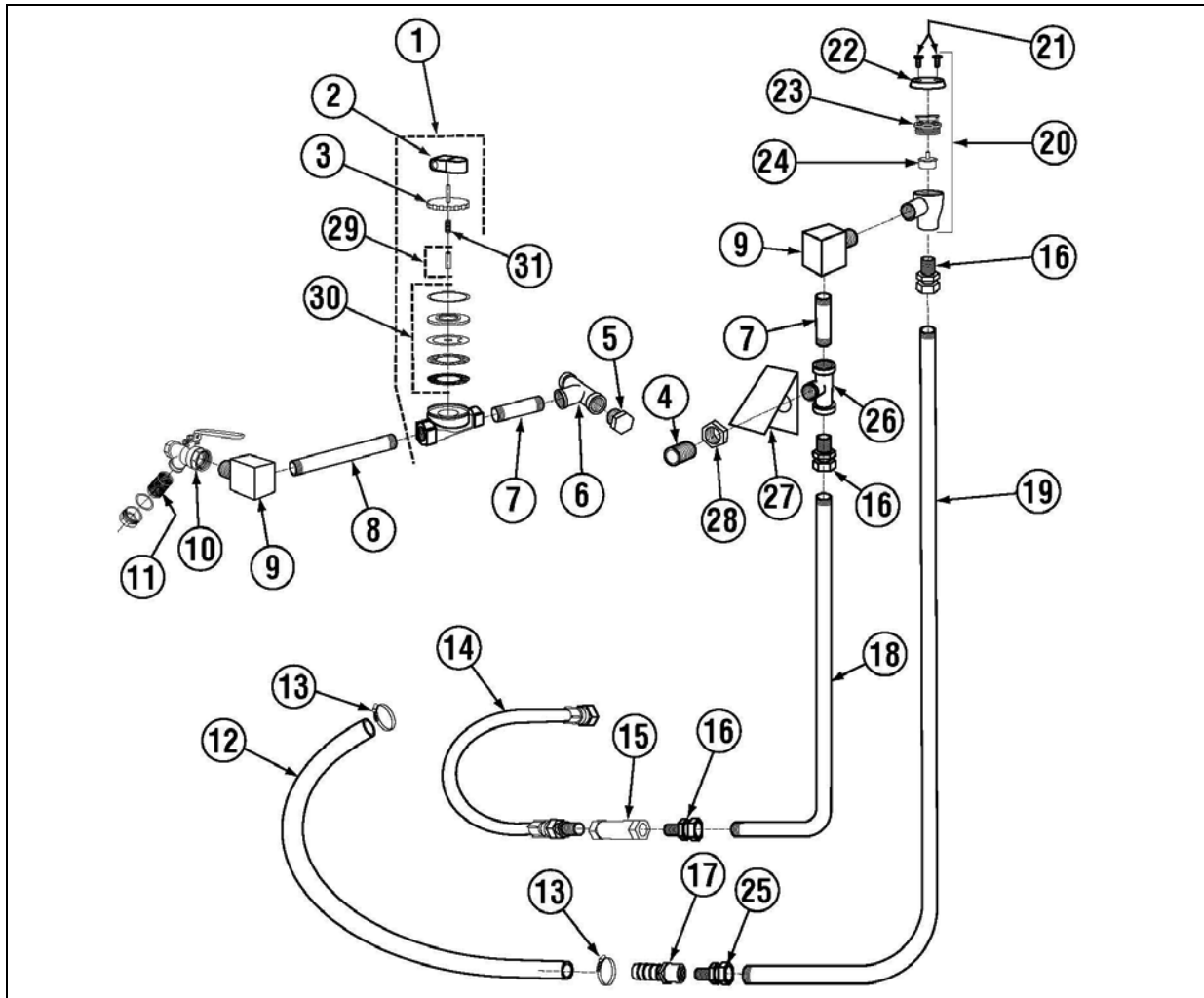


ITEM NO.	NO. REQ'D	P/N	DESCRIPTION
1	3	00908.00	5/16"-18 x 5/8" SS Hexhead Bolt
2	3	00926.00	5/16" SS Washer
3	1	00200.78	SS Pump Motor Holder "L"
4	1	00201.65	SS Wash Pump Motor 115v
5	1	00201.96	Slinger Washer Cone Shape
6	1	03224.60	SS Pump Backplate
7	1	03226.70	Volute O-Ring For SS Pump
8	1	00206.70	SS Pump Seal Kit
9	1	03222.60	SS Pump Impeller
10	1	50302.10	1" MPT x 1" Barb Brass
11	1	04206.75	SS Pump Cover

ITEM NO.	NO. REQ'D	P/N	DESCRIPTION
12	1	00214.50	1/2" Comp x 3/8" MIP Adapter
13	1	00208.40	Slip Joint Nut O Ring Buna
14	1	00207.00	Slip Joint Nut 1 1/2 x 1 1/4
15	1	00238.00	3/8" Male Plug
16	1	00200.75	Includes Items 4,5,6,7,8,9,and 11
17	1	03222.74	Flat Washer 8 mm
18	1	03222.72	Shaft Nut Lock Washer 8mm
19	1	13809.70	SS Pump Seal Shaft Nut 8mm
20	6	00914.70	Socket Head Screw 10 mm
21	1	00208.21	Slip Joint Nut Friction Ring

Item not shown are the same as #20 in old assembly

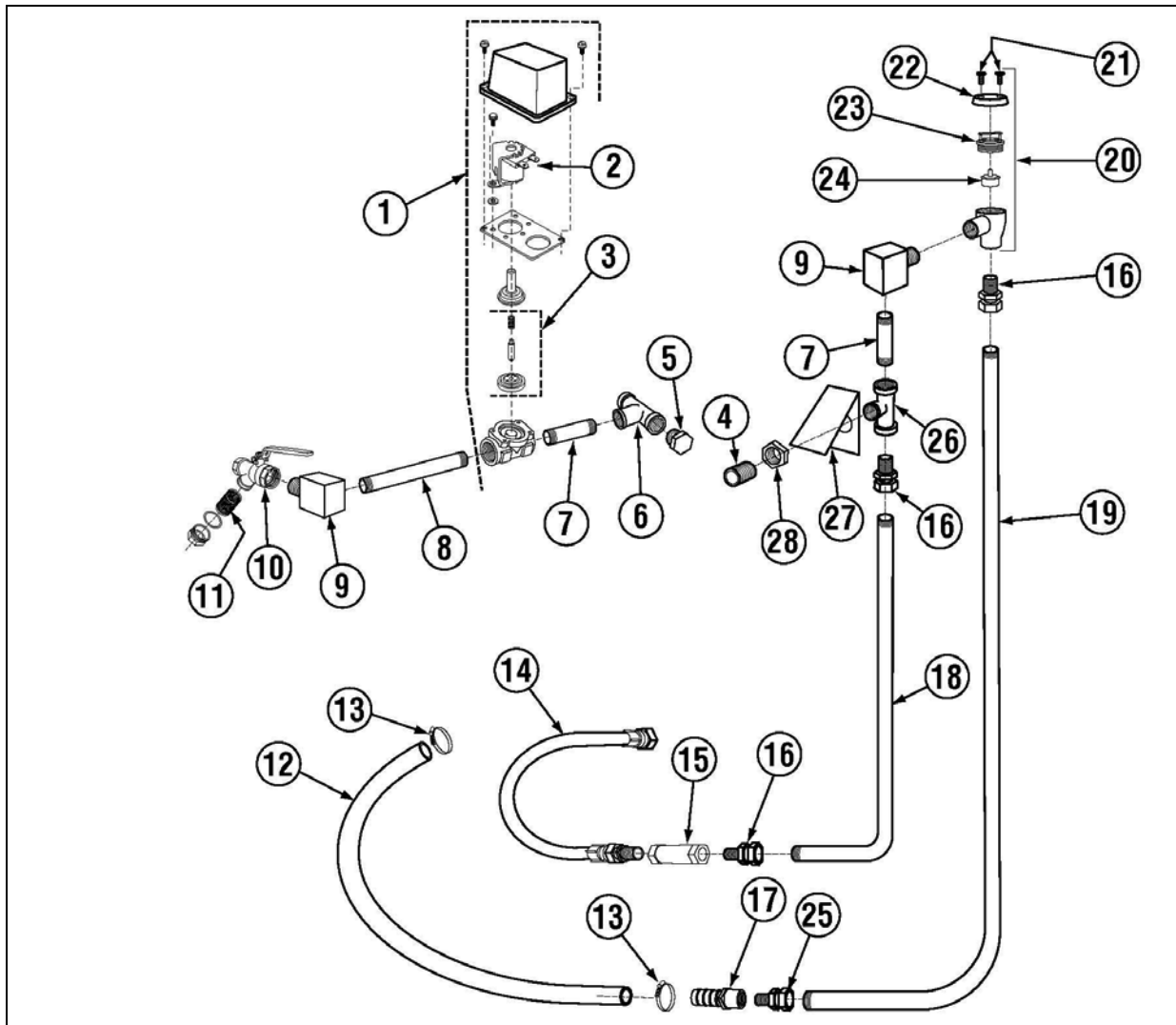
1.3.5. Plumbing System Assembly (Effective August 2012)



ITEM NO.	NO. REQ'D	P/N	DESCRIPTION
1	1	03603.10	JE 1/2" Solenoid Valve
2	1	00738.10	JE Solenoid Coil
3	1	03603.20	1/2" Water Solenoid Bonnet
4	4	13629.00	Nipple SS 1/2 x Close
5	1	13642.00	1/2" Brass Plug
6	1	00743.10	1/2" Tee FxFxF
7	2	00747.20	Nipple Brass 1/2 X 3
8	1	00742.40	Nipple Brass 1/2 x 6
9	2	00745.00	1/2 90Deg Street Elbow
10	1	41062.00	1/2 Strainer Ball Valve*
11	1	41062.00	^ 1/2 Ball Valve Strainer Only
12	1	03108.60	Transfer Hose 1" Reinforced 2 ft
13	2	03101.00	Hose Clamp # 16 1"
14	1	00798.00	SS Braded Hose 20 "
15	1	00715.00	Ball Check Valve
16	3	00760.00	5/8" Comp. X 1/2" M.I.P. Adapter

ITEM NO.	NO. REQ'D	P/N	DESCRIPTION
17	1	50302.20	3/4" F X 1" Barb Plastic Fitting
18	1	05007.42	GWX-200 Motor's Water Breathing Line
19	1	05007.40	GWX-200 Vaccum Breaker Water Line
20	1	03624.00	1/2" Vacuum Breaker – WATTS
21	2	00421.51	6-32 X 1/4" Panhead SS
22	1	00739.50	Vacuum Breaker Cap SS
23	1	03624.25	Vacuum Breaker Bonnet Brass
24	1	03623.00	1/2" Vac. Brkr Repair Kit – WATTS
25	1	00761.00	5/8 Comp X 3/4 MIP Adapter
26	1	00743.11	^ 1/2 Tee F x F x F SS
27	1	15925.00	GWX-200 Inlet Baffle
28	1	00721.00	1/2" Jamb Nut
29	1	00786.00	JE Solenoid Valve Plunger
30	1	00707.00	JE 1/2" Solenoid Rep. Kit
31	1	00706.10	Solenoid Plunger Spring Only

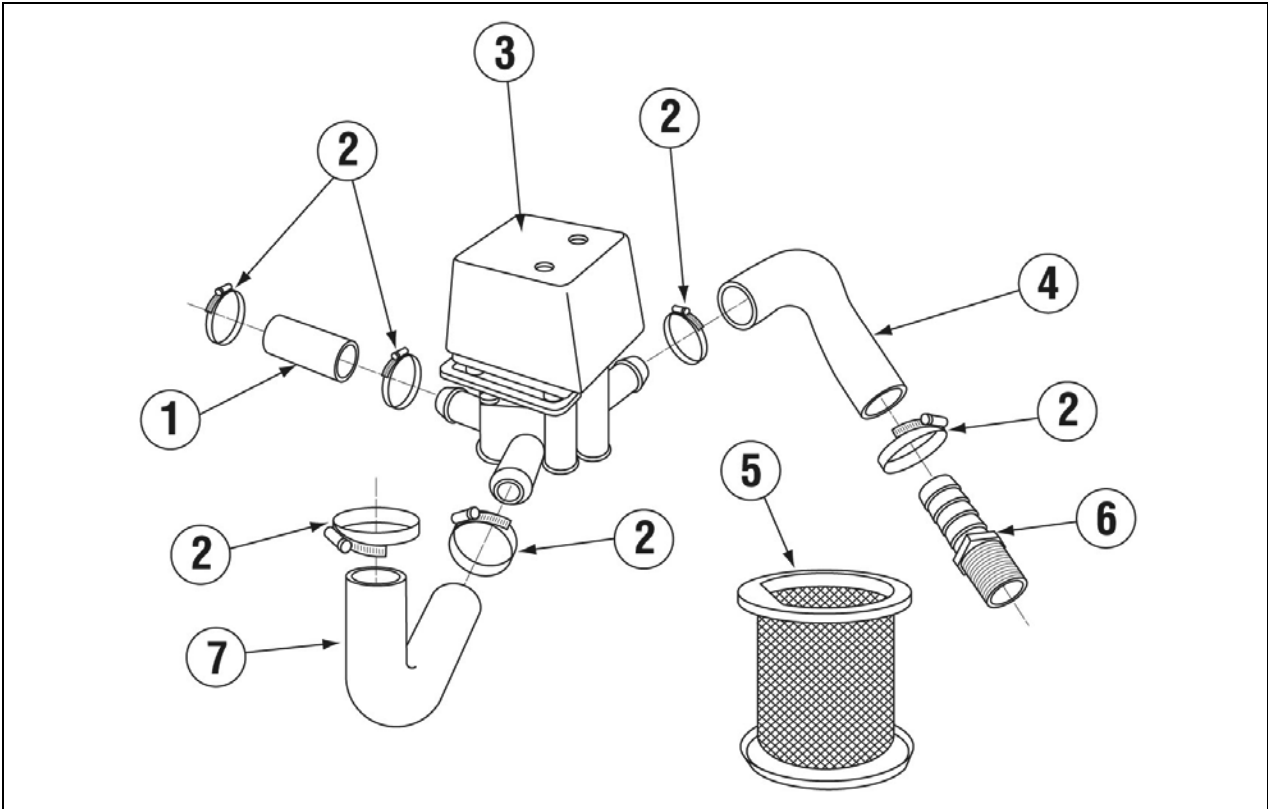
1.3.6. Plumbing System Assembly



ITEM NO.	NO. REQ'D	P/N	DESCRIPTION
1	1	03604.00	S/S Water Solenoid Valve
2	1	41015.60	1/4 Water Solenoid Coil Only 110V
3	1	03604.30	Dema Valve Repair Kit 1/2"
4	4	13629.00	Nipple SS 1/2 x Close
5	1	13642.00	1/2" Brass Plug
6	1	00743.10	1/2" Tee FxFxF
7	2	00747.20	Nipple Brass 1/2 X 3
8	1	00742.40	Nipple Brass 1/2 x 6
9	2	00745.00	1/2 90Deg Street Elbow
10	1	41062.00	1/2 Strainer Ball Valve*
11	1	41062.00	^ 1/2 Ball Valve Strainer Only
12	1	03108.60	Transfer Hose 1" Reinforced 2 ft
13	2	03101.00	Hose Clamp # 16 1"
14	1	00798.00	SS Braded Hose 20 "

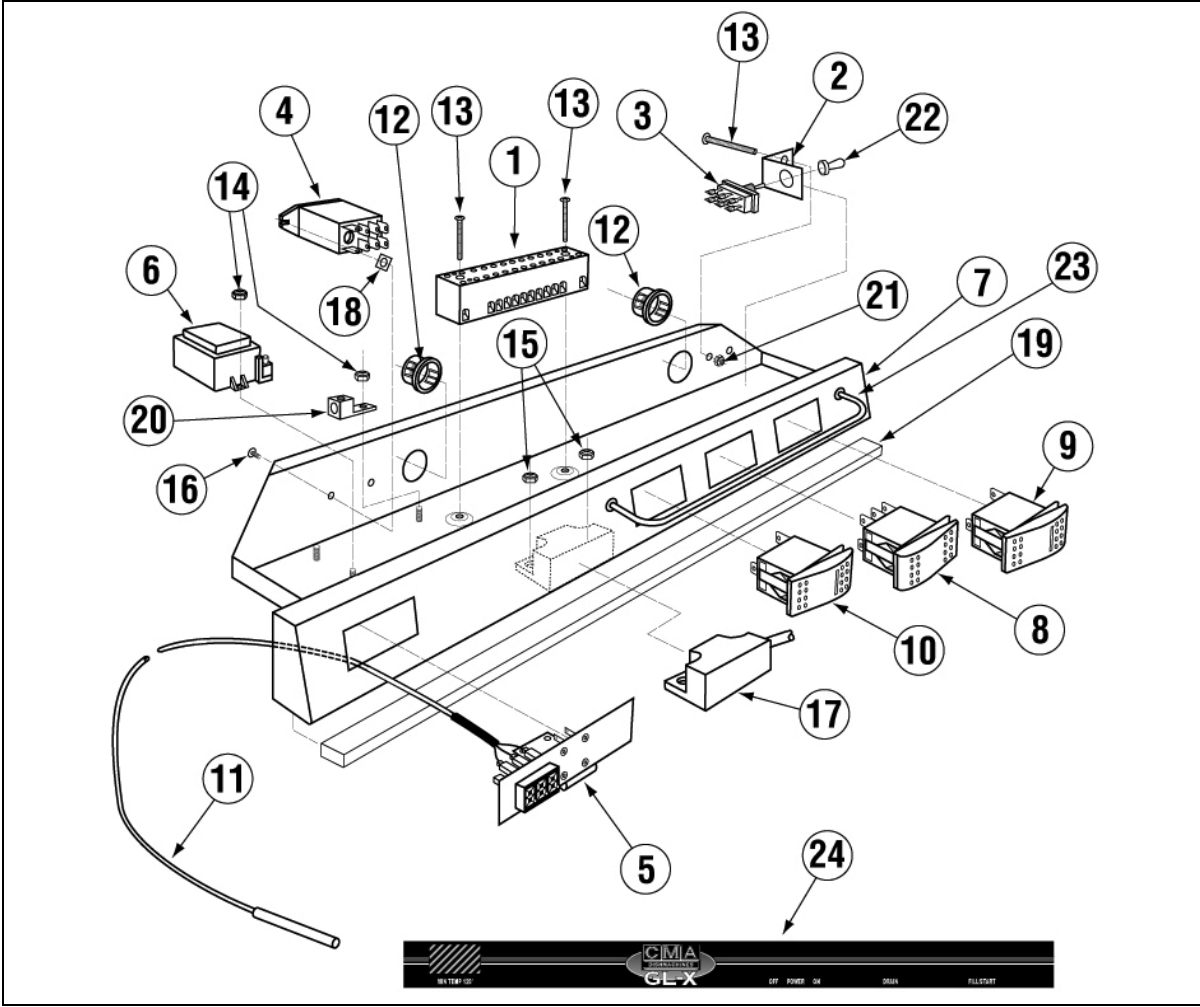
ITEM NO.	NO. REQ'D	P/N	DESCRIPTION
15	1	00715.00	Ball Check Valve
16	3	00760.00	5/8" Comp. X 1/2" M.I.P. Adapter
17	1	50302.20	3/4" F X 1" Barb Plastic Fitting
18	1	05007.42	GWX-200 Motor's Water Breathing Line
19	1	05007.40	GWX-200 Vaccum Breaker Water Line
20	1	03624.00	1/2" Vacuum Breaker – WATTS
21	2	00421.51	6-32 X 1/4" Panhead SS
22	1	00739.50	Vacuum Breaker Cap SS
23	1	03624.25	Vacuum Breaker Bonnet Brass
24	1	03623.00	1/2" Vac. Brkr Repair Kit – WATTS
25	1	00761.00	5/8 Comp X 3/4 MIP Adapter
26	1	00743.11	^1/2 Tee F x F x F SS
27	1	15925.00	GWX-200 Inlet Baffle
28	1	00721.00	1/2" Jamb Nut

1.3.7. Drain System Assembly



ITEM NO.	NO. REQ'D	P/N	DESCRIPTION
1	1	04105.00	Pump Hose 6.5"
2	6	03101.00	1" Hose Clamp #16
3	1	04113.00	Drain Valve
4	1	03108.51	1" Goose Neck Drain Hose
5	1	04110.00	Drain Sump Screen
6	1	50302.06	1" MIP X 1" Barb PVC
7	1	03109.00	Drain Hose 90 deg. 1" I.D.

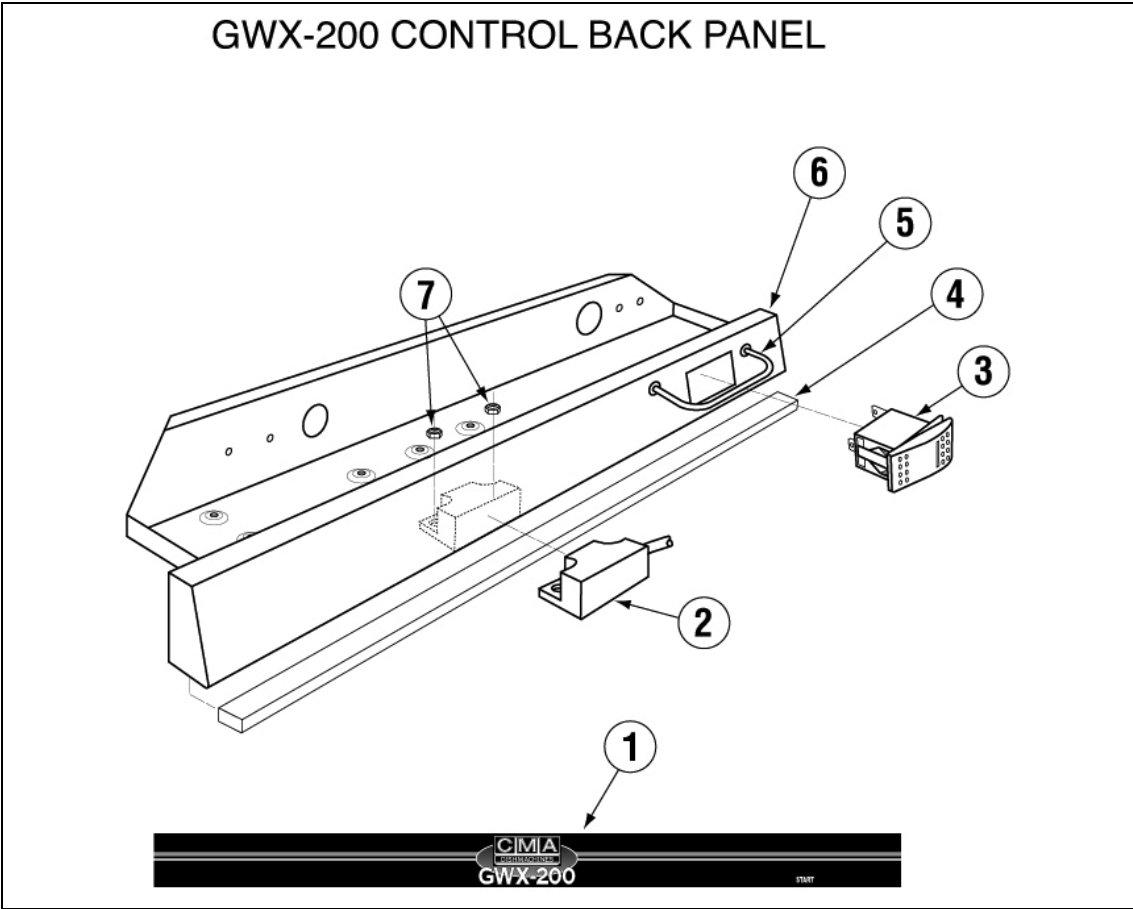
1.3.8. Control Box



ITEM NO.	NO. REQ'D	P/N	DESCRIPTION
1	1	15520.00	Power Block 12 Position
2	1	00474.00	Delimer switch Bracket
3	1	00475.30	Delimer Switch DPST 20 Amp.
4	2	00631.00	Ice Cube Relay
5	1	03203.50	Single Temp. Display Unit
6	1	03202.60	Thermometer Transformer
7	1	15904.62	Control Drawer
8	1	03481.00	Drain Rocker Switch
9	1	00421.40	Start/Fill Rocker Switch
10	1	15524.00	Power Rocker Switch
11	1	03202.66	Thermister
12	1	00438.00	Snap bushing, Universal

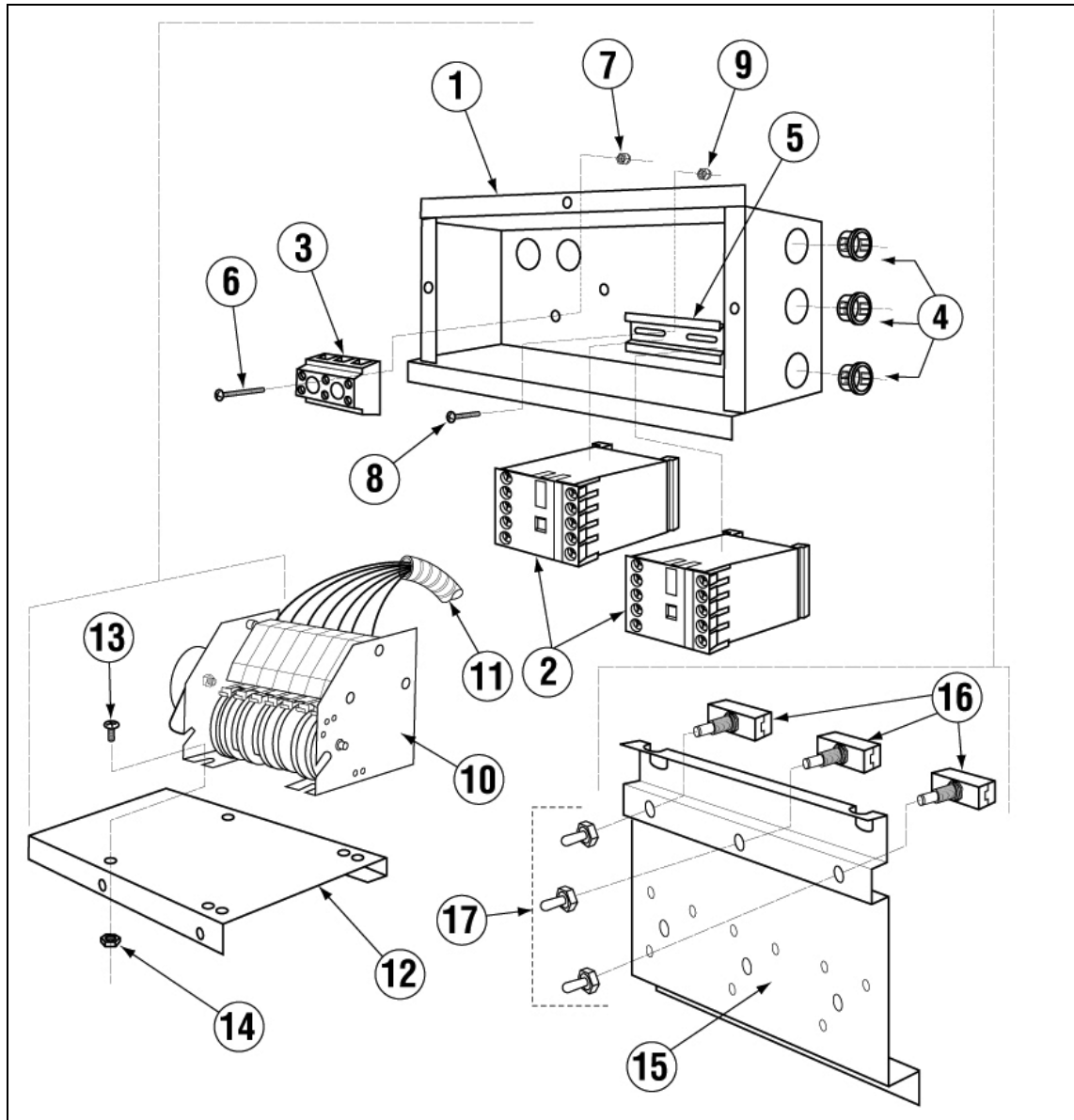
ITEM NO.	NO. REQ'D	P/N	DESCRIPTION
13	3	01001.00	6-32 x 1" Panhead Screw
14	3	00971.10	4-40 Nylon Lock Nut
15	6	00927.00	8-32 Nylon Lock Nut
16	4	00631.00	8-32 X 1/2" Panhead Screw
17	1	00556.10	Reed Switch
18	4	00917.00	8-32 PM Nut
19	2	03705.82	Sponge Strip
20	1	13426.50	Ground Block
21	1	00965.00	6-32 Nylon Lock Nut
22	1	00470.10	Toggle Switch Rubber Boot
23	1	03485.00	Switch Guard (Undercounter Units)
24	1	06231.58	WD-200 Drawer Label (Front)

1.3.9. Control Panel



ITEM NO.	NO. REQ'D	P/N	DESCRIPTION
1	1	06231.57	GWD-200 Drawer Label (back)
2	1	00556.10	Reed Switch
3	1	00421.40	Start/Fill Rocker Switch
4	2	03705.82	Sponge Strip
5	1	03485.10	Switch Guard
6	1	15904.62	Control Drawer

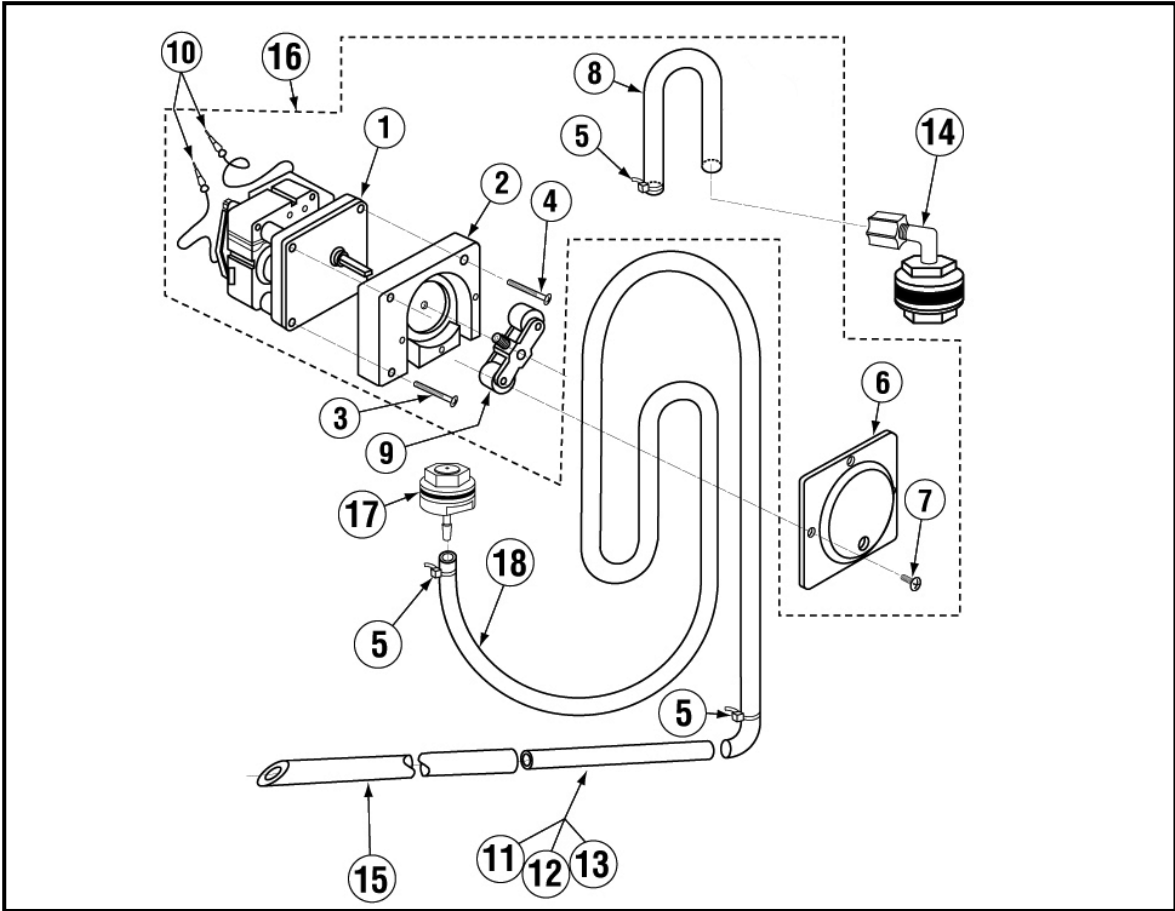
1.3.10. Power Box



ITEM NO.	NO. REQ'D	P/N	DESCRIPTION
1	1	15923.62	GL-X Electrical Box
2	2	13012.15	GL-X Contactor
3	1	15520.50	Power Block 3 Position
4	3	00438.00	Snap Bushing Universal
5	0.5	13003.60	Contactor DIN Rail
6	2	13525.00	8-32 x 1" Pan Head Screw
7	2	00927.00	8-32 Nylon Lock Nut
8	2	00941.00	10-32 Pan Head Screw
9	2	03801.00	10-32 Nylon Lock Nut

ITEM NO.	NO. REQ'D	P/N	DESCRIPTION
10	1	00408.80	2 Minute Timer GL-X
11	6	15400.10	3/4" Slit Ribbed Tubing
12	1	15921.00	Timer Mount
13	2	00941.00	10-32 X 5/8" Pan Head Screw
14	2	03801.00	10-32 Nylon Lock Nut
15	1	15914.82	GL-X Peri-Pump Mount
16	3	03475.00	Primer Switches*
17	3	03476.00	Rubber Boots

1.3.11. Peristaltic Pump Assembly

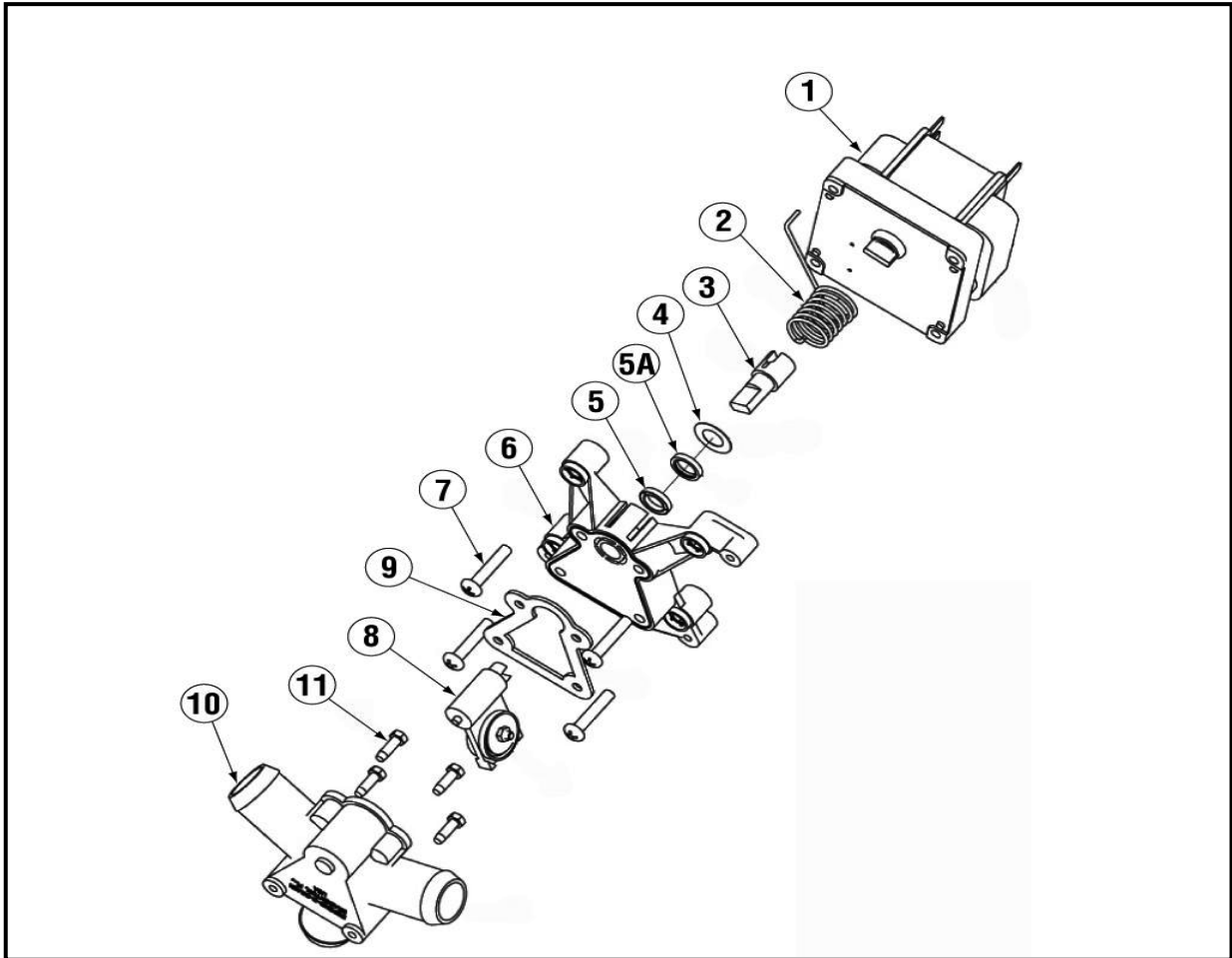


ITEM NO.	NO. REQ'D	P/N	DESCRIPTION
1	3	00416.00	Peristaltic Pump Motor
2	3	00417.10	Peristaltic Pump Block
3	6	00919.00	10-32 x 1 1/2" Pan Head Screw
4	3	00918.00	10-32 x 1 1/2" Fillister HD Screw
5	6	00932.00	Wire Tie – Large
6	7	00418.00	Peristaltic Pump Block Cover
7	12	00911.00	8-32 x 1/2" Pan Head Screw
8	1	00458.00	Squeeze Tube – Black Detergent
		02257.00	Squeeze Tube 8" Norprene
9	3	00419.00	Peristaltic Rotor Assembly

ITEM NO.	NO. REQ'D	P/N	DESCRIPTION
10	6	00448.00	Barrel Connector (Male)
11	AR	00425.51	Chemical Tubing (Blue)
12	AR	00425.53	Chemical Tubing (Red)
13	AR	00425.54	Chemical Tubing (White)
14	2	03415.00	Chemical Tube Bulkhead
15	2	00443.00	Tube Stiffener
16*	1	00415.00	Complete Peristaltic Pump
17	1	03415.60	Bulk Head For Sanitizer
18	1	02257.30	24" Squeeze Tube

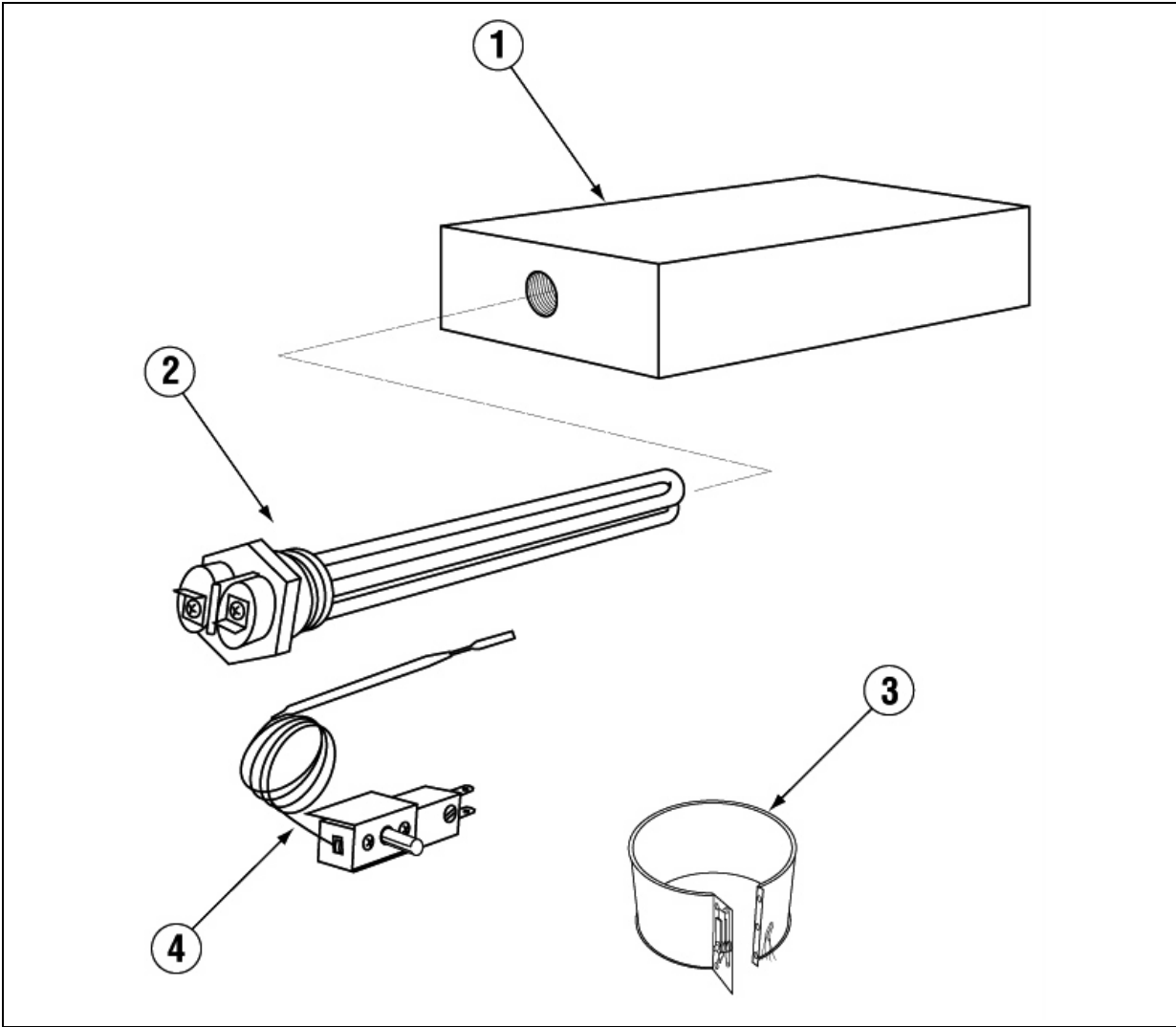
*Item 16 includes items 1-4, 6-10.

1.3.12. Drain Valve



ITEM NO.	NO. REQ'D	P/N	DESCRIPTION
1	1	00104.50	Drain Motor 120V
2	1	04103.14	Drain Valve Spring
3	1	04103.20	Drain Valve Drive Pin
4	1	04103.19	Drain Valve Washer (Thin)
5	1	04103.17	Drain Valve Seal Washer (V-Packer)
5A	1	04103.23	Drain Seal Bearing (White Washer)
6	1	04103.13	Drain Valve Housing Cover
7	4	04113.18	Valve Cover Screw
8	3	04103.16	Drain Valve Hinge/Seal
9	1	04103.15	Drain Valve Housing Gasket
10	1	04113.12	Drain Valve Housing
11	1	04103.18	#8 X 5/8 Self Threading Screw

1.3.13. Heater Assembly



ITEM NO.	NO. REQ'D	P/N	DESCRIPTION
1	1	15920.64	GL-X Heater Box
2	1	15417.30	1250 Watt Heater
3	1	04109.11	Sump Heater
4	1	13417.92	Thermostat