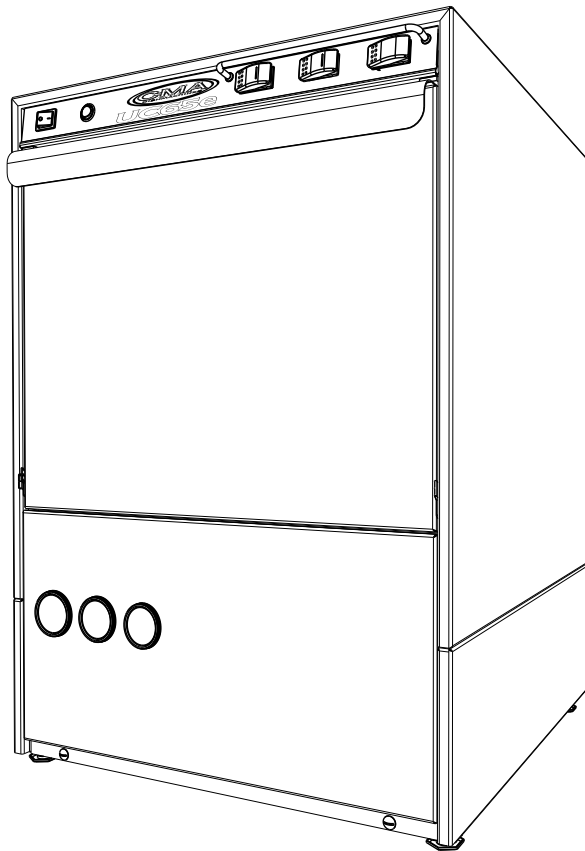




**CMA Dishmachines**  
12700 Knott Avenue  
Garden Grove, CA 92841

Toll Free: 1- (800) 854-6417  
Fax: 1- (714) 895-2141

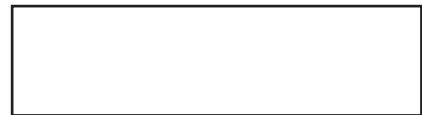
**Service Replacement Parts**



**Undercounter  
High Temperature  
Dishwasher**

Model:

**UC65e M2**



Machine Serial No.



Issue Date: 11.08.19

**Manual P/N 10310.00 rev. B**

For machines beginning with S/N W160861096 and above

0513903/A

CMA Dishmachines  
12700 Knott Avenue  
Garden Grove, CA 92841  
Toll Free: 1 (800) 854-6417  
Fax: 1 (714) 895-2141

Buy Parts

Printed in the USA



The Spirit of Excellence

For future reference, record your dishwasher information in the box below.

Model Number _____	Serial Number _____
Voltage _____ Hertz _____	Phase _____
Service Agent _____	Tel: _____
Parts Distributor _____	Tel: _____

**National Service Department**

**CMA Dishmachines**  
**12700 Knott Avenue**  
**Garden Grove, CA 92841**  
**Toll-free: 1 (800) 854-6417**  
**Fax: 1 (714) 895-2141**

**ATTENTION:**

The model no., serial no., voltage, Hz and phase are needed to identify your machine and to answer questions.

**The machine data plate is located on the lower front panel.**

Please have this information ready if you call for service assistance.

[Buy Parts](#)

## Revision History

- The Revision History can contain part number changes, new instructions, or information that was not available at print time.
- We reserve the right to make changes to these instructions without notice and without incurring any liability by making the changes..
- Equipment owners may request a revised manual, at no charge, by calling CMA Dishmachines at 1 (800) 854-6417.

<i>Revision Date</i>	<i>Revised Pages</i>	<i>Serial Number Effectivity</i>	<i>Revision Description</i>
8.25.16	All	W160861096	Released First Edition.
10.10.16	31	All	Changed Item 6 to P/N 13658.00.
10.31.16	All	All	Reviewed and updated parts lists.
4.6.17	2	All	Added GFI breaker to Item 2.
9.12.17	17, 48, 49	All	Removed PRV data.

## *Model Description*

## **Model Description**

### **UC65e M2**

High temperature hot water sanitizing dishwasher with built-in 40°F/22°C rise booster heater.  
208-240VAC/60/1

# Table of Contents

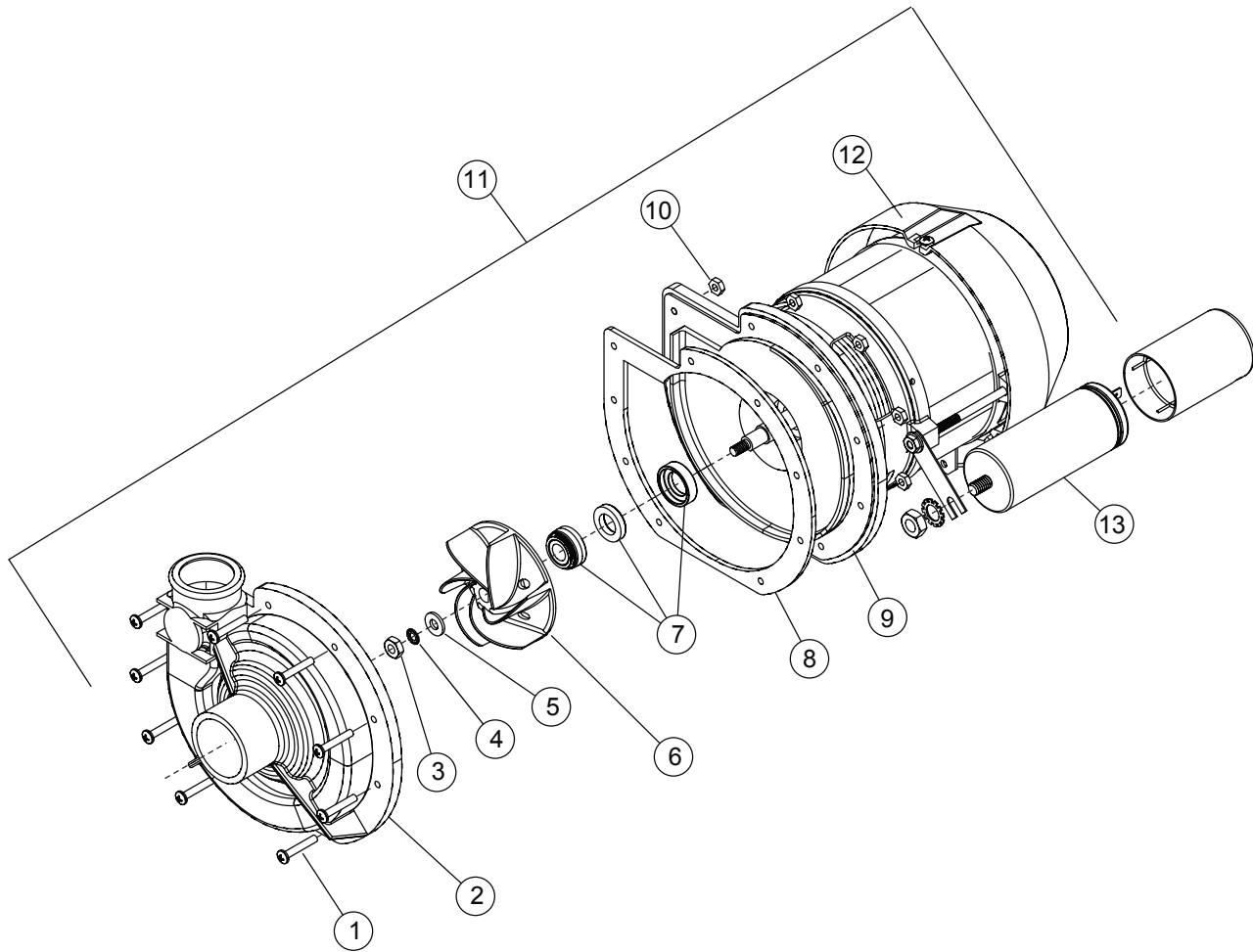
## Model UC65e M2 Undercounter Dishwasher

<i>Revision History</i> .....	<i>i</i>
<i>Model Descriptions</i> .....	<i>ii</i>
<b>Service Replacement Parts</b> .....	<b>19</b>

# Service Replacement Parts

<i>Illustrations</i>	<i>Page</i>
Wash Pump/Motor .....	20
Booster .....	22
Power Box Wiring .....	24
Electrical Panel and Timer .....	26
Control Panel.....	28
Upper Final Rinse Piping.....	30
Wash and Rinse Spray Arms.....	32
Drain Pump and Hoses .....	34
Wash Tank Heater and Drain.....	36
Fill Solenoid Valve .....	38
Detergent Pump .....	40
Rinse-aid Pump .....	42
Panels.....	44
Door.....	46
Dish racks, Line Strainer and PRV .....	48

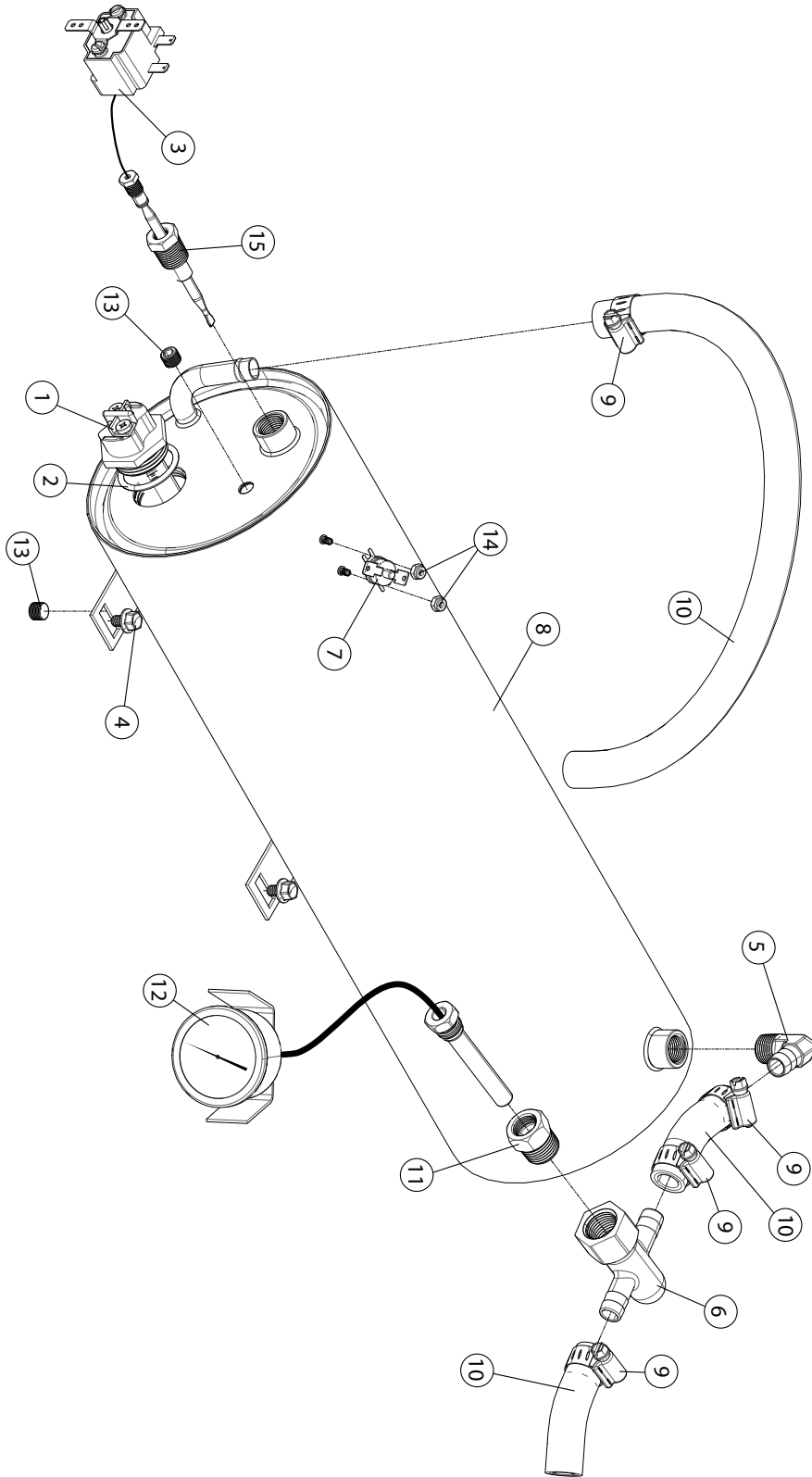
# Wash Pump/Motor



Item No.	Part No.	Description	Qty.
1	02103.01	SCREW, M4, PHIL, PAN HEAD.	9
2	02103.02	IMPELLER HOUSING COVER	1
3	02103.03	NUT, M6 (left-hand threads)	1
4	02103.04	WASHER, LOCK, 1/4"	1
5	02103.05	WASHER, PLAIN, M6	1
6	02103.06	IMPELLER	1
7	02103.07	SEAL	1
8	02103.30	GASKET, PUMP	1
9	02103.09	BACKPLATE, PUMP	1
10	02103.08	NUT, M4	9
11	02103.10	PUMP/MOTOR ASSEMBLY COMPLETE, 220VAC/60/1	1
12	02103.37	COVER, REAR MOTOR FAN	1
13	02103.11	CAPACITOR 16 $\mu$ F	1



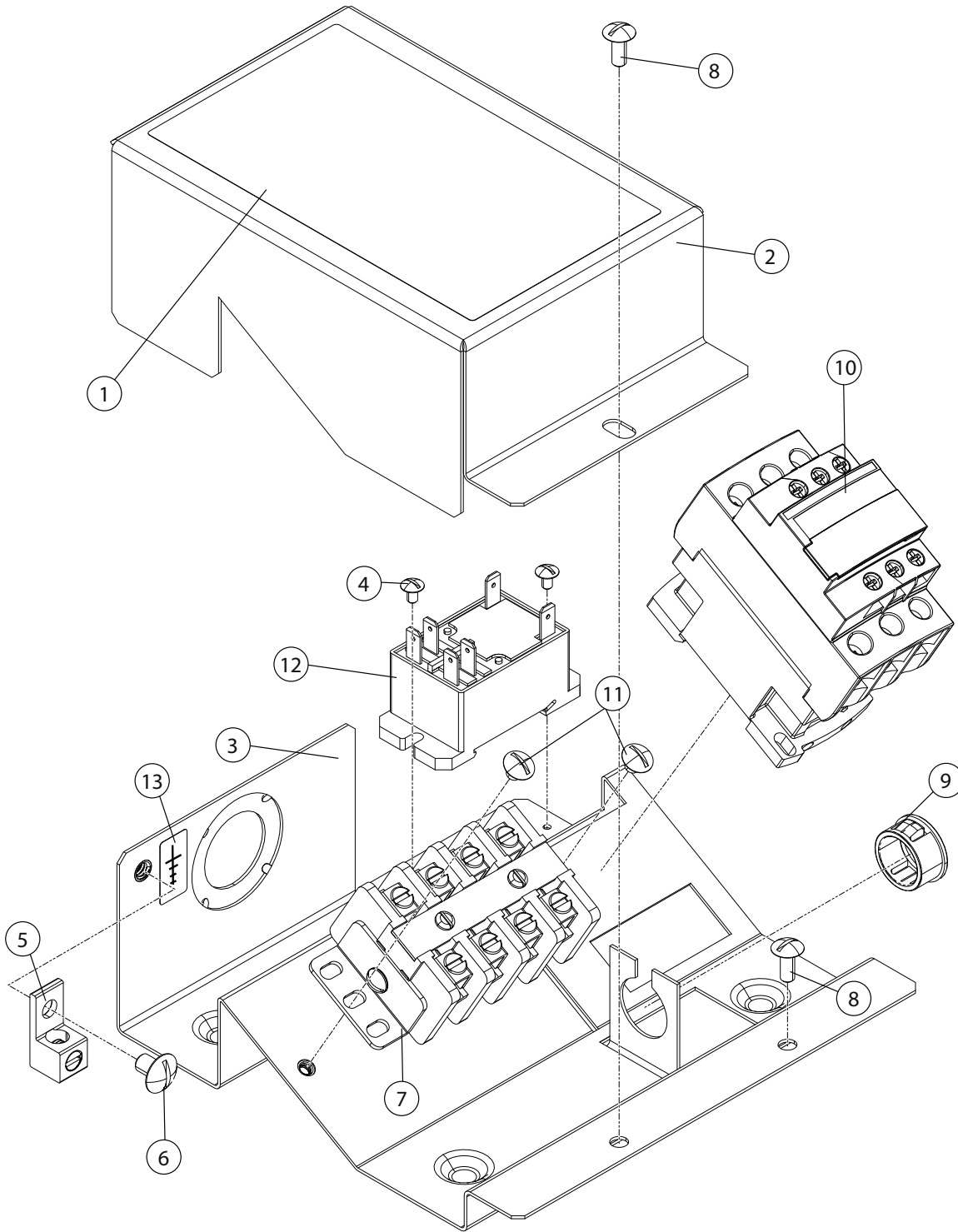
# Booster



Item No.	Part No.	Description	Qty.
1	02103.12	HEATER, BOOSTER 4kW, 208V, 40°F RISE (Does not include gasket)	1
1	02103.13*	HEATER, BOOSTER 6kW, 208V, 70°F RISE (Does not include gasket)	1
2	02103.14	GASKET, BOOSTER HEATER	1
3	02103.15	THERMOSTAT, CONTROL 195°F	1
4	02103.16	BOLT, HEX FLANGE, 1/4-20 X 3/8"	1
5	40012.10	ELBOW, 3/8" NPT X 1/2" HOSE	1
6	02103.23	TEE, RINSE THERMOMETER	1
7	02103.19	THERMOSTAT, HI-LIMIT FIXED SNAP 240°F	1
8	02106.01	TANK, BOOSTER WELDMENT	1
9	02103.21	CLAMP, GEAR-TYPE, 7/16" SST	3
10	02103.22	HOSE, 1/2" ID	A/R
11	02103.24	FITTING, BOOSTER THERMOMETER	1
12	02103.25	THERMOMETER, 2" DIAL, 7' CAPILLARY	1
13	03232.00	PLUG, 1/8"	2
14	00965.00	NUT, 6-32 W/NYLON INSERT	2
15	02103.28	FITTING, BOOSTER THERMOSTAT	1

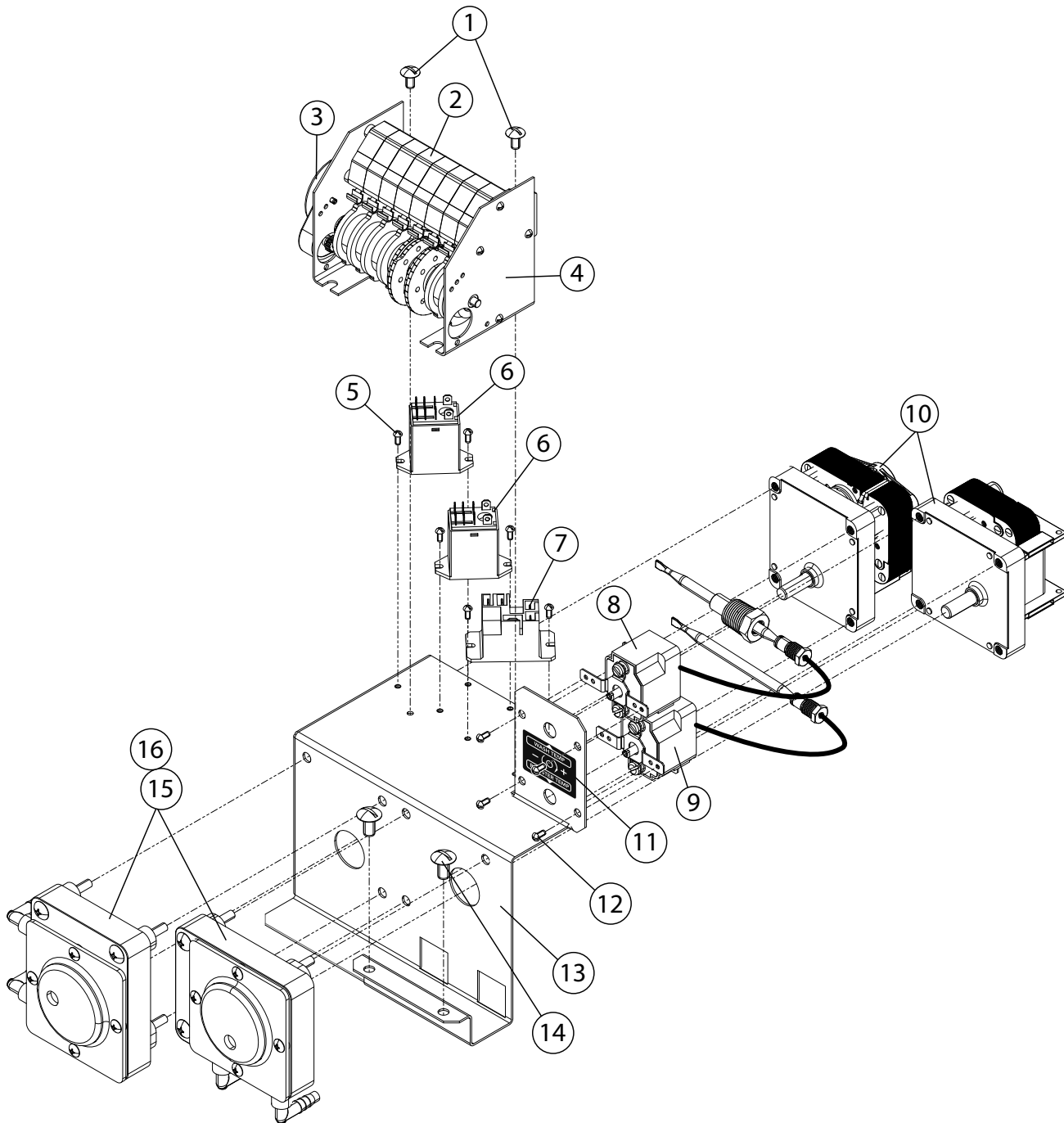
\* When the 6kW element is used the minimum supply circuit Ampacity and Overcurrent protection will need to increase to use a 40 Amp Breaker.

# Power Wiring Box



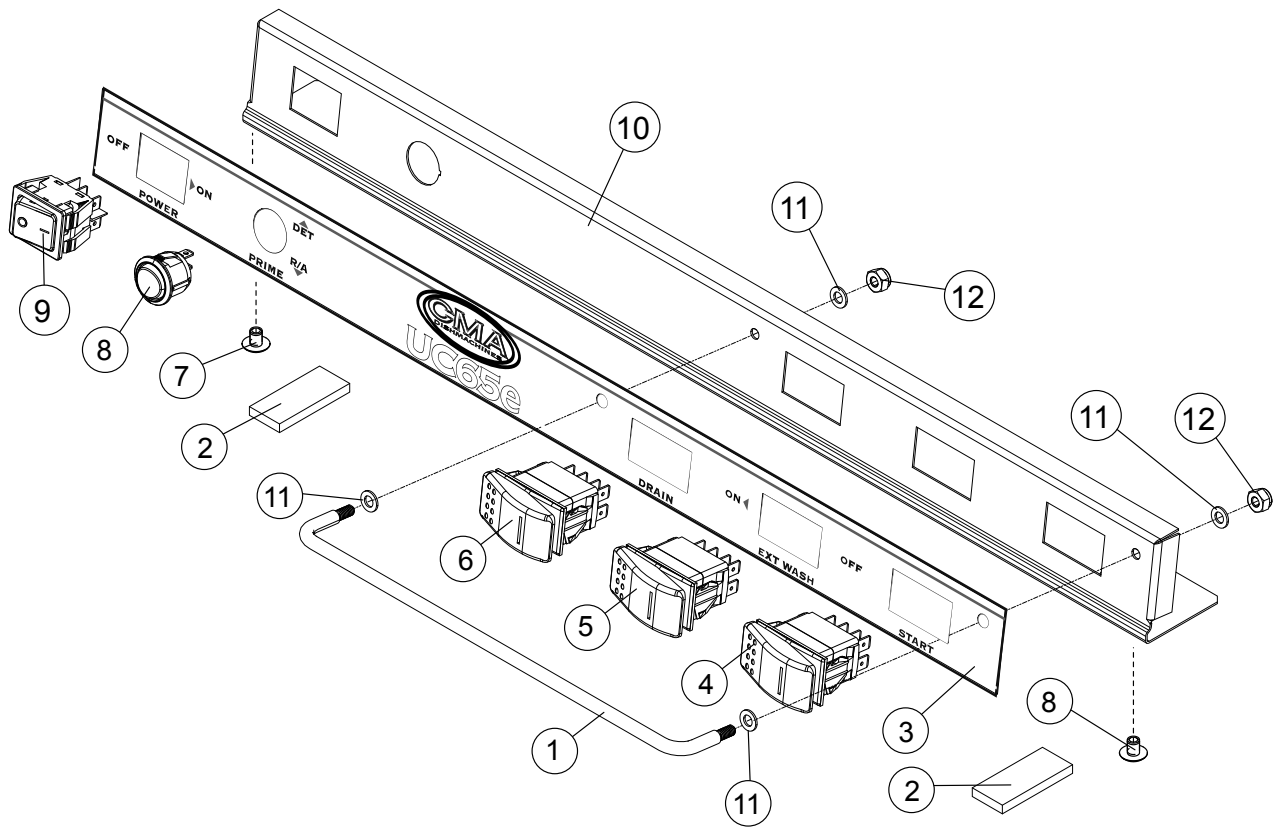
Item No.	Part No.	Description	Qty.
1	02106.02	LABEL, CONNECTION BOX	1
2	02106.03	COVER, BOX WIRING	1
3	02106.04	BOX, WIRING	1
4	00421.51	SCREW, 6-32 X 1/4"	2
5	13426.50	LUG, GROUND	1
6	00905.82	SCREW, 1/4-20 X 3/8"	1
7	02106.05	BLOCK, TERMINAL, 4-POLE	1
8	00940.50	SCREW, 10-32 X 3/8", TRUSS HEAD.	2
9	02106.15	BUSHING, STRAIN RELIEF, SMALL	A/R
10	02103.48	CONTACTOR, 3-POLE , 25/40A, 120VAC COIL	1
11	00940.00	SCREW, 10-32 X 1/4"	2
12	02106.06	RELAY, DPDT, 30A, 120VAC COIL	1
13	06202.46	LABEL, GROUND	1

**Electrical Panel and Timer**



<b>Item No.</b>	<b>Part No.</b>	<b>Description</b>	<b>Qty.</b>
1	02103.93	SCREW, TRUSS HEAD, 8-32 X 1/4"	2
2	00411.00	SWITCH, TIMER	8
3	00501.00	MOTOR, TIMER	1
4	00408.60	ASSEMBLY, TIMER (Includes Items 2, 3)	1
5	00907.00	SCREW, 6-32 X 1/2"	6
6	00631.00	RELAY, 120VAC, 2PDT	2
7	02103.40	RELAY, 15 AMP, 120VAC COIL	1
8	43030.00	THERMOSTAT, WASH	1
9	02103.15	THERMOSTAT, BOOSTER 195°F	1
10	00416.00	MOTOR, PERI-PUMP 115VAC	2
11	02106.07	LABEL, WASH-RINSE TEMPERATURE	1
12	00907.50	SCREW, 6-32 X 3/8" PAN HEAD PHIL.	4
13	02106.08	BRACKET	1
14	00940.50	SCREW, 10-32 X 3/8", TRUSS HEAD.	2
15	00415.00	ASSY. PERI-PUMP (Includes Item 16 & 10)	2
16	02257.00	TUBE, SQUEEZE 8"	2

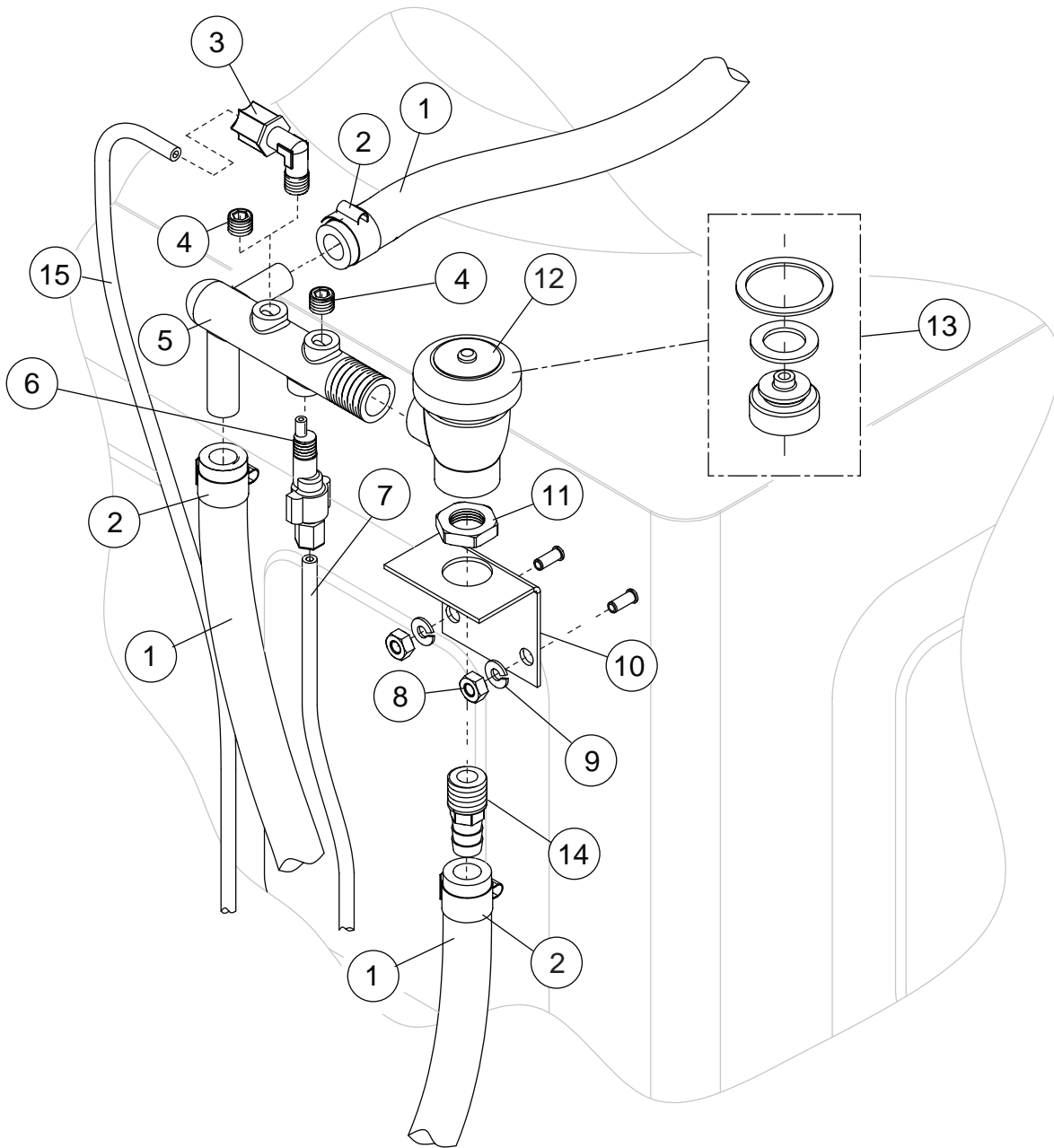
# Control Panel



<b>Item No.</b>	<b>Part No.</b>	<b>Description</b>	<b>Qty.</b>
1	03485.00	GUARD, SWITCH (Includes items 11 & 12)	1
2	02103.58	GASKET, STEAM	2
3	02106.09	LABEL, FACIA, UC65e M2	1
4	15523.00	SWITCH, ROCKER, START MOMENTARY	1
5	15524.00	SWITCH, ROCKER, MAINTAINED	1
6	15523.50	SWITCH, ROCKER, DRAIN/FILL	1
7	00911.10	SCREW, TRUSS SLOT, 8-32 X 3/8"	2
8	02103.57	SWITCH, MOMENTARY (PRIME)	1
9	02103.50	SWITCH, ON-OFF	1
10	02106.10	PANEL, FACIA, UC65e M2	1
11	04086.00	#10 WASHER	4
12	03801.00	10-32 LOCK NUT	2

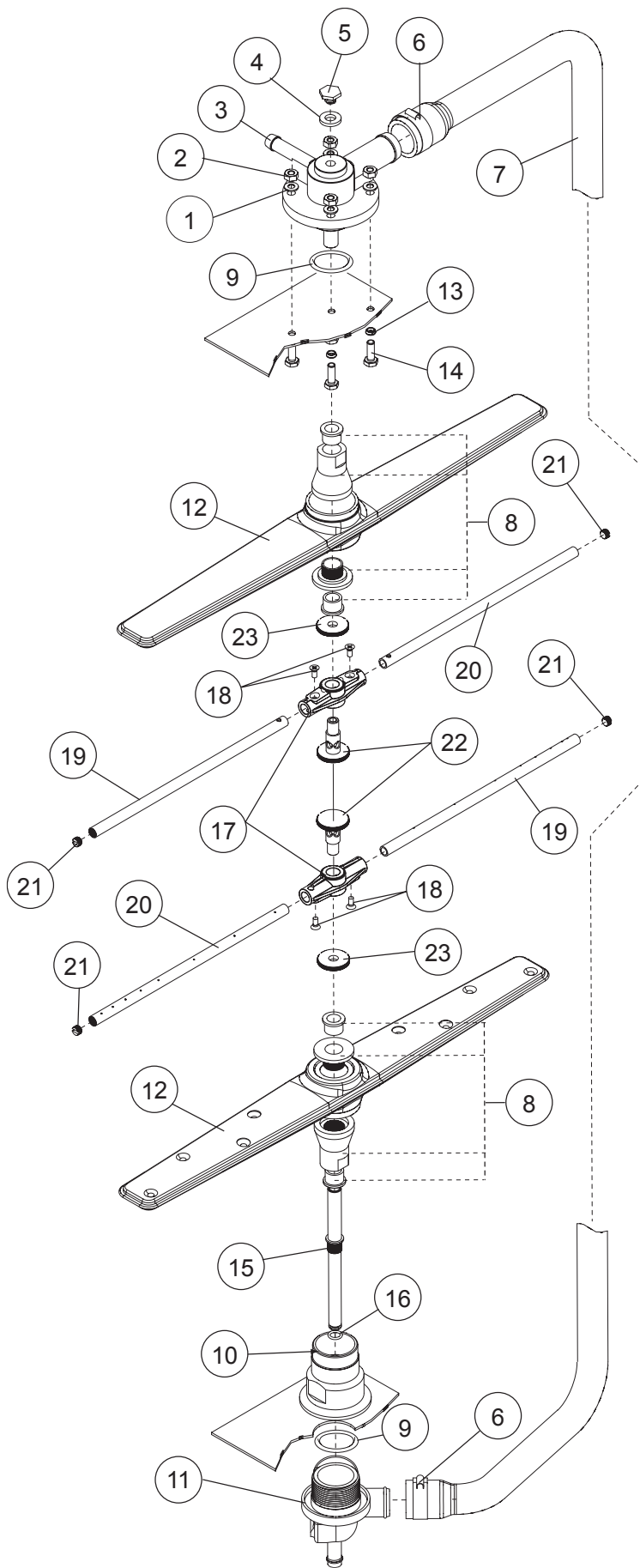


# Upper Final Rinse Piping



Item No.	Part No.	Description	Qty.
1	03107.50	HOSE, RUBBER 1/2ID X .84OD	A/R
2	03101.47	CLAMP, GEAR	6
3	02103.62	FITT COMP 1/4OD X 1/8MPT ELL J	1
4	03232.00	PLUG, 1/8 HEX COUNTERSUNK	1
5	02103.64	MANIFOLD, RINSE	1
6	02103.65	INJECTOR FITTING	1
7	00425.54	TUBING, 1/4" NATURAL	A/R
8	00923.50	NUT, KEP 1/4-20	2
9	02103.04	WASHER, SPLIT LOCK 1/4i 304SS	2
10	02103.69	BRACKET, VACUUM BREAKER	1
11	00721.00	NUT, JAMB 1/2"	1
12	02103.71	VACUUM BREAKER, 1/2" BRASS	1
13	02103.72	REPAIR KIT, VACUUM BREAKER 1/2"	1
14	40014.00	COUPLER 1/2 MPT X 1/2" HOSE	1

## Wash and Rinse Spray Arms

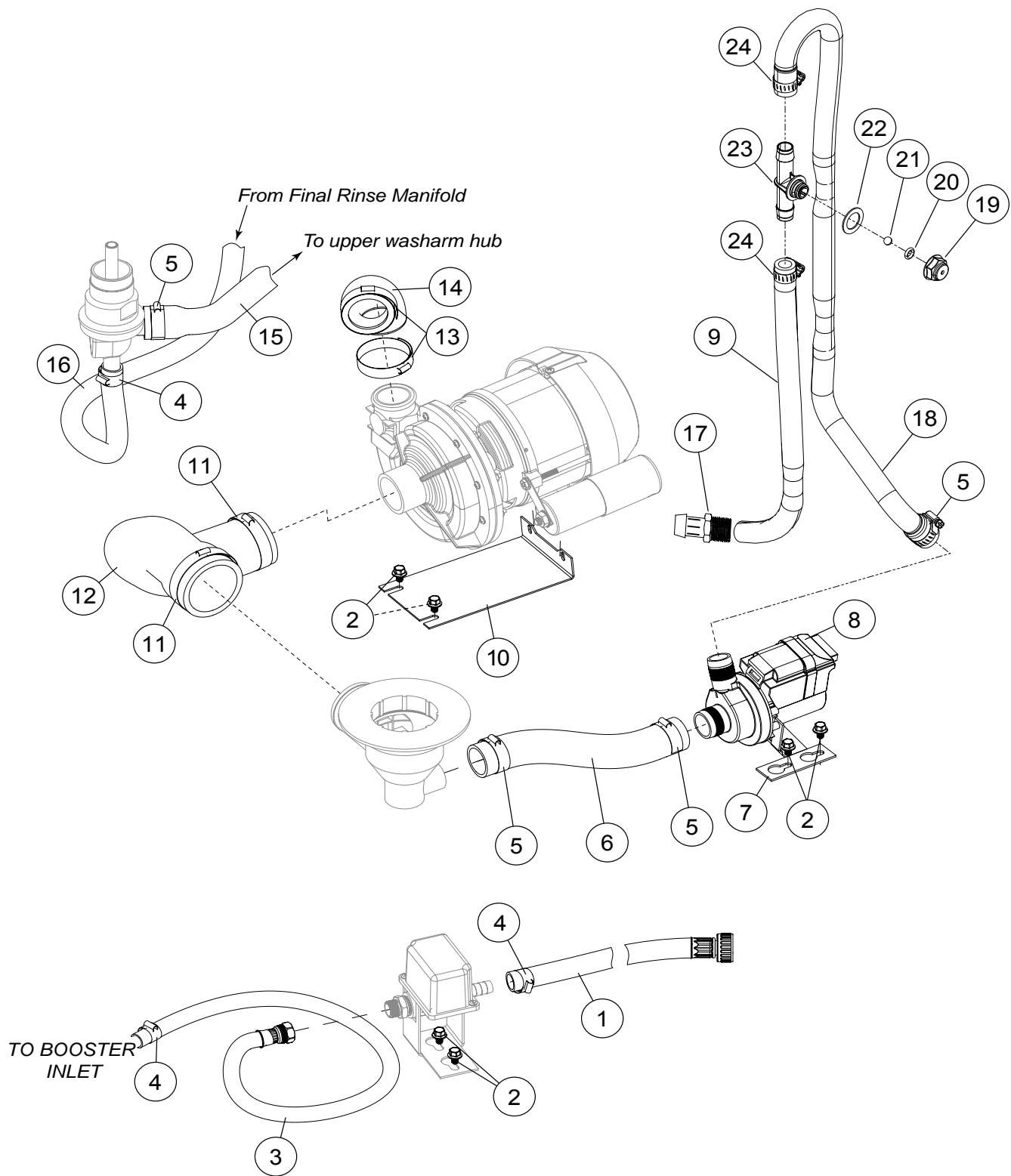


Item No.	Part No.	Description	Qty.
1	00426.00	WASHER, 5/16" SS WASHER	4
2	00912.00	NUT, 1/40-20 NYLON LOCK NUT	4
3	02103.77	HUB, UPPER WASH ARM	1
4	02103.78	WASHER, PACKING	1
5	02103.79	SCREW, RETAINING	1
6	50109.00	CLAMP, HOSE #28	2
7	02103.81	HOSE, UPPER WASH ARM	1
8*	02103.82	BEARING ASSEMBLY	2
9	02103.83	O-RING, 2-1/8" OD X 1-3/4" ID X 3/16"	2
10	02103.84	HUB, LOWER WASH ARM	1
11	02103.85	MANIFOLD, LOWER FWR	1
12	02103.86	WASH ARM ASSEMBLY (Includes Item 8)	2
13	02103.88	WASHER, NYLITE	4
14	02103.89	BOLT, 1/4-20 X 1"	4
15	02103.90	SHAFT, LOWER	1
16	02103.91	O-RING	1
17	02103.92	HUB, RINSE ARM, MOLDED	2
18	02103.93	SCREW, TRUSS HEAD 8-32 X 1/4"	4
19	02103.94	ARM, RIGHT-HAND RINSE (7 JETS)	2
20	02103.95	ARM, LEFT-HAND RINSE (8 JETS)	2
21	02103.96	CAP, RINSE ARM, 5/16-24	4
22	02103.97	SPINDLE, RINSE ARM	2
23	02103.98	SPACER, NUT	2
---	02103.99	RINSE ARM ASSEMBLY (Includes Items 18-23)	2

*\* Note:*

*The bearing assembly, P/N 2103.82 includes 2 bearings, 1 locknut, and 1 wash arm hub. The bearings, locknut and hub are not available as separate service replacement parts.*

# Drain Pump and Hoses



<b>Item No.</b>	<b>Part No.</b>	<b>Description</b>	<b>Qty.</b>
1	02104.00	HOSE, FILL 1/2" X 7' C/W 3/4" FNPS	1
2	02103.16	BOLT, HEX FLANGE, 1/4-20 X 3/8"	4
3	02103.18	HOSE, BOOSTER FILL, 1/2" X 1'	1
4	03101.47	CLAMP, HOSE GEAR-TYPE 5/16"	3
5	03101.00	CLAMP, HOSE GEAR-TYPE, 1"	3
6	02104.05	HOSE, DRAIN PUMP SUCTION	1
7	02104.06	BRACKET, DRAIN PUMP	1
8	02104.07	PUMP, DRAIN 115VAC	1
9	02104.84	HOSE, DRAIN	1
10	02104.09	BRACKET, WASH PUMP	1
11	02104.10	CLAMP, HOSE GEAR-TYPE 1-13/16"- 2-3/4" MAX	2
12	02104.11	HOSE, SUCTION WASH PUMP	1
13	50109.00	CLAMP, HOSE #28	2
14	02104.13	HOSE, DISCHARGE WASH PUMP	1
15	02103.81	HOSE, UPPER WASH ARM	1
16	03107.50	HOSE RUBBER, 1/2" ID X .84" OD	A/R
17*	02103.68	COUPLER, 3/4" MPT X 3/4" HOSE BARB	1
18	02106.19	HOSE, DRAIN MOLDED	1
19	02106.21	NUT, ANTI-SIPHON VALVE	1
20	02106.23	O-RING	1
21	02106.25	BALL, 3/8" DIAMETER, STAINLESS STEEL	1
22	02106.27	WASHER, SILICONE	1
23	02106.17	BODY, ANTI-SIPHON	1
24	02103.21	CLAMP, HOSE GEAR-TYPE, STAINLESS STEEL	2

**\* NOTE:**

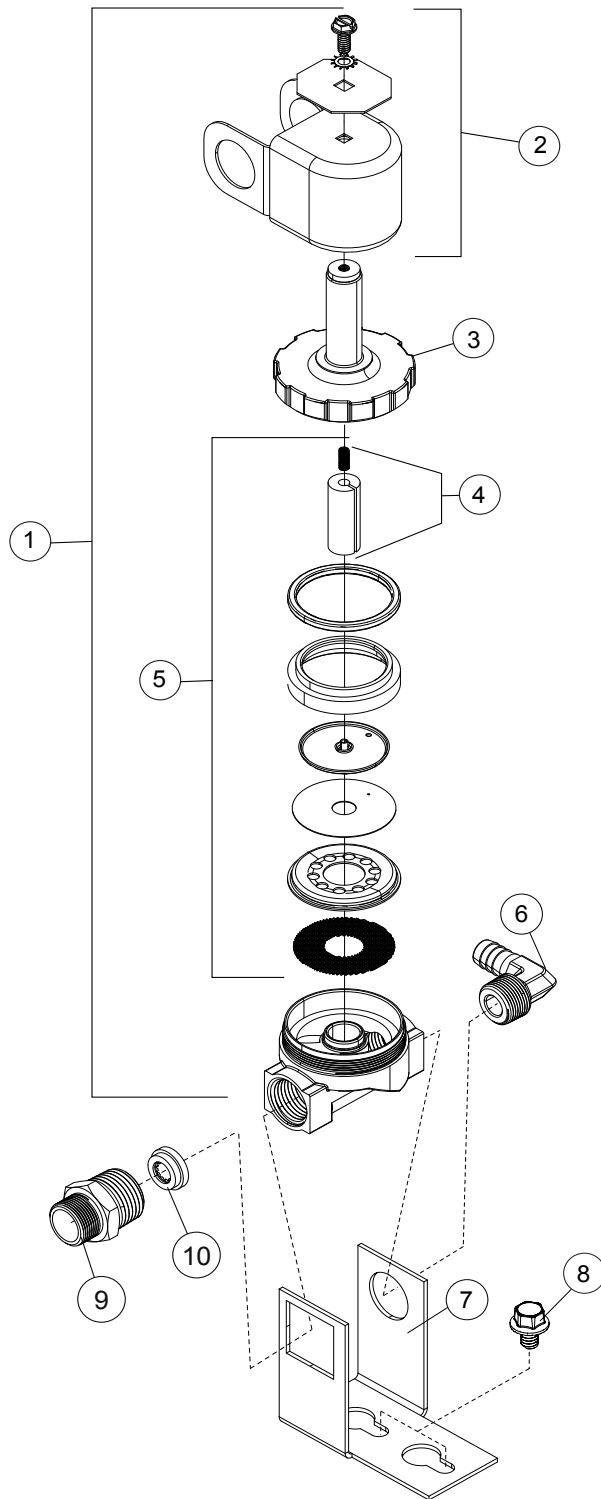
ITEM 17 IS STRAPPED TO THE DRAIN HOSE AS A SEPARATE PART FOR THE PLUMBING INSTALLER TO USE DURING INSTALLATION.



Item No.	Part No.	Description	Qty.
1	02104.17	GASKET, DOOR	1
2	02104.18	HEATER, WASH TANK, 2KW, 240VAC	1
3	00968.00	WASHER, SPLIT LOCK 1/4"	4
4	00923.50	NUT, HEX 1/4-20	4
5	02104.21	O-RING	2
6	02104.22	ADAPTER, THERMOSTAT	1
7	02103.28	BUSHING, THERMOSTAT	1
8	43030.00	THERMOSTAT, WASH TANK	1
9	02104.25	ADAPTER, THERMOMETER	1
10	02103.25	THERMOMETER, 2" DIAL 7' CAPILLARY	1
11	00721.00	NUT, JAMB 1/2" THIN PATTERN	2
12	02104.28	THERMOSTAT, FIXED, SNAP 212°F	1
13	00965.00	NUT, LOCK 6-32 W/NYLON INSERT	4
14	13826.00	SCREW, 4-40 X 5/8" PAN HEAD	2
15	43019.00	SWITCH, DOOR 15 AMP	1
16	02104.32	BRACKET, SWITCH	1
17	02104.33	PLATE, SWITCH NUT	1
18	02104.34	ELBOW, PUMP SUCTION	1
19	02104.35	GASKET, PUMP SUCTION	1
20	02104.36	FLANGE, PUMP SUCTION	1
21	02104.37	HOSE, 1/4" ID X 3/8" OD	A/R
22	02104.38	ELBOW, 3/8" TUBE X 1/4" NPT	1
23	02104.39	GASKET, 1/4" FIBER	1
24	02104.40	LOCKNUT, 1/4" PLASTIC	1
25	02104.41	FILTER, SUMP	1
26	02100.57	FILTER, O-RING	1
27	02104.43	TUBE, OVERFLOW	1
28	02104.53	TRAP, AIR	1
29	02104.55	GASKET, AIR TRAP	1
30	02104.57	ORING, NUT, AIR TRAP	1
31	02104.59	NUT, AIR TRAP	1
32	02104.54	CLAMP, HOSE AIR	2
33	02104.56	HOSE, AIR	4FT.
34	02104.90	BRACKET	1
35	02104.91	SCREW, 6-18 X 1/4" PAN HEAD. PHIL.	1
36	02104.92	SWITCH, PRESSURE	1
37	03801.60	NUT, LOCK, 10-32 KEPS	1

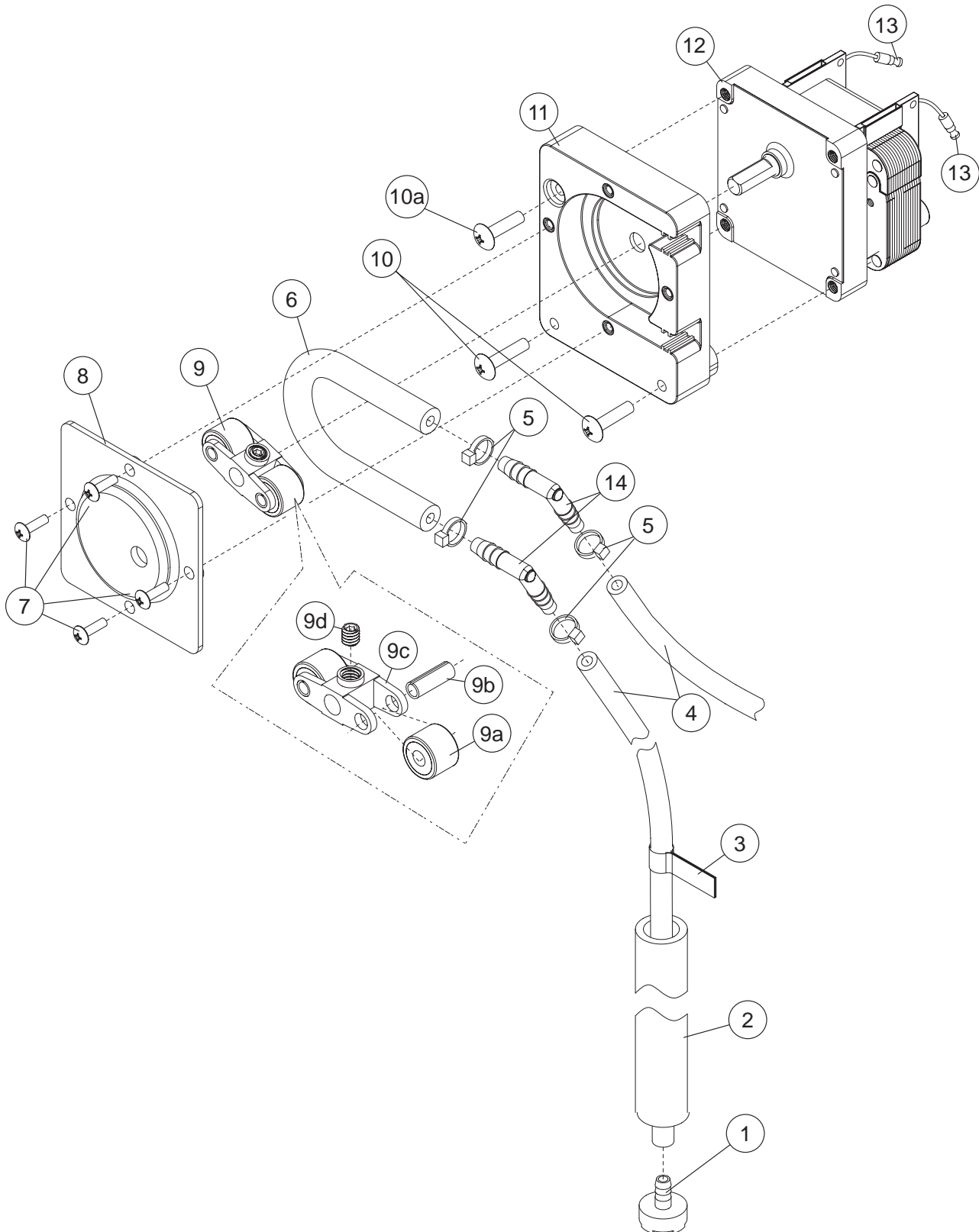


**Fill Solenoid Valve**



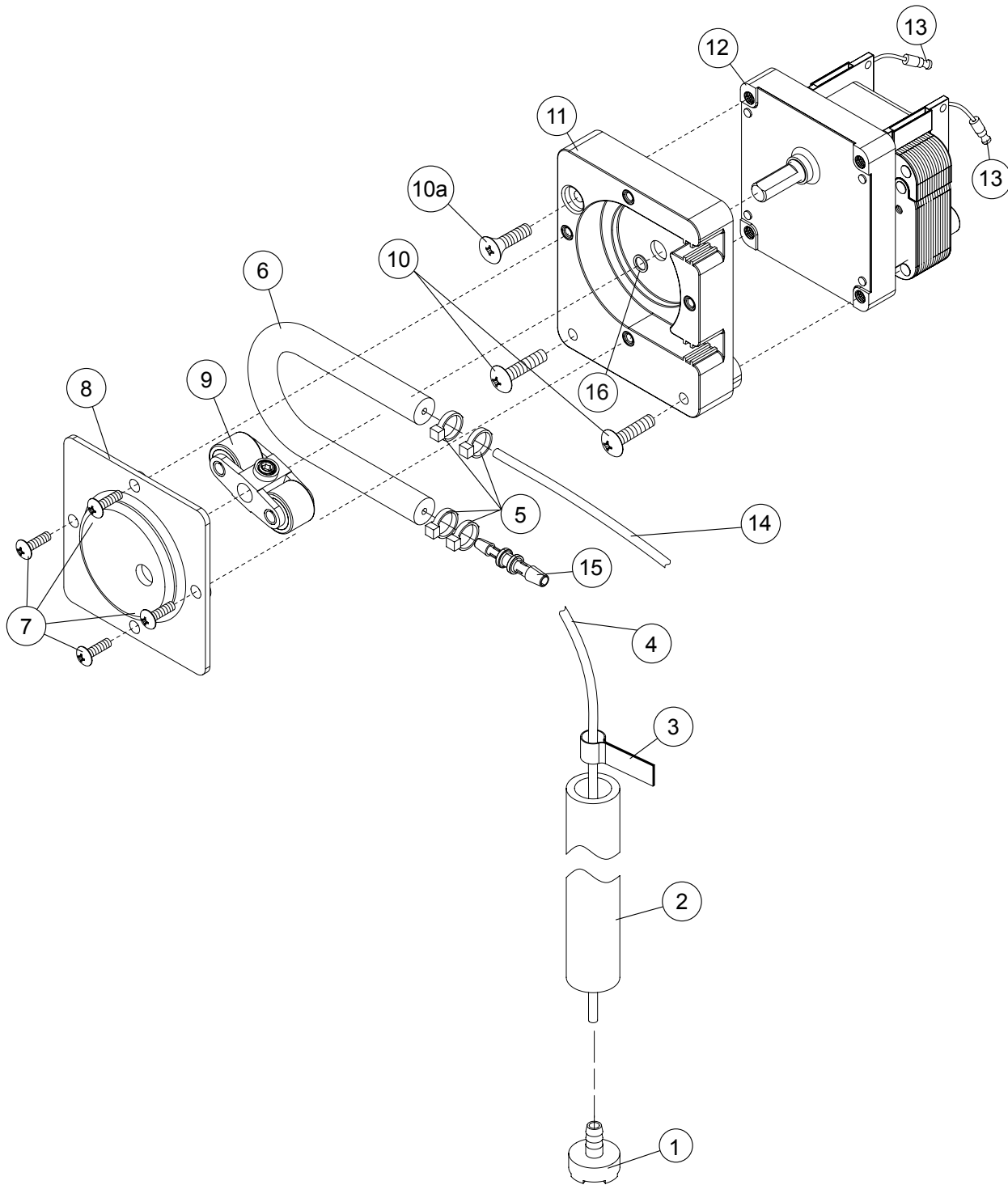
<b>Item No.</b>	<b>Part No.</b>	<b>Description</b>	<b>Qty.</b>
1	03603.10	WATER SOLENOID 1/2" J/E COMPLETE (Includes Items 2-6)	1
2	00738.10	WATER SOLENOID COIL J/E	1
3	03603.20	1/2" WATER SOLENOID BONNET	1
4	00786.00	WATER SOLENOID VALVE PLUNGER	1
5	00707.00	1/2" WATER SOLENOID REPAIR KIT	1
6	40013.00	FITTING, BARB HOSE	1
7	02106.11	BRACKET, VALVE, UC65E	1
8	02103.16	BOLT, HEX FLANGE 1/4-20 X 3/8"	2
9	03604.50	FITTING, FLOW DISC, DEMA	1
10	03604.10	WASHER, FLOW	1

# Detergent Pump

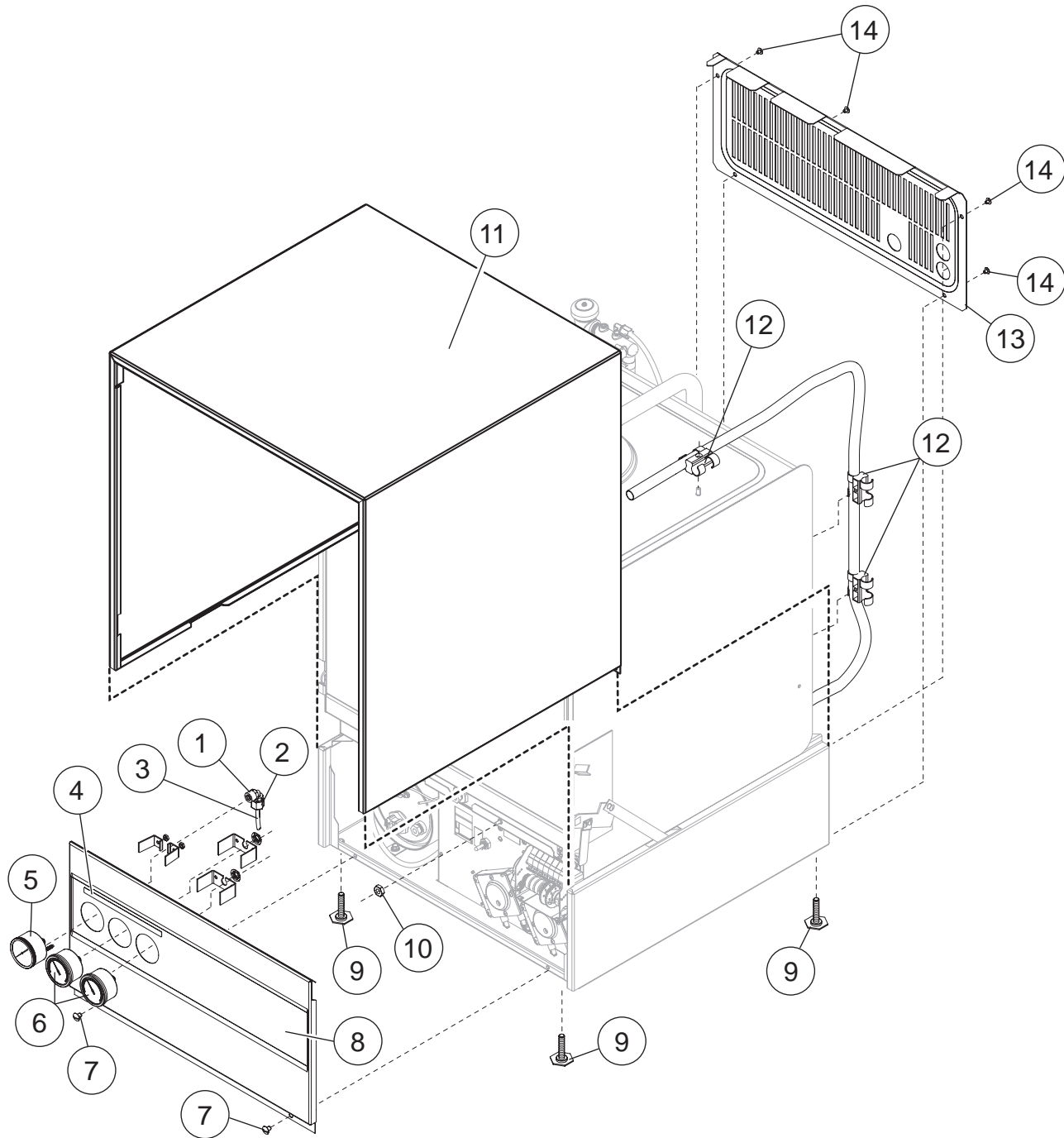


Item No.	Part No.	Description	Qty.
1	02104.47	STRAINER	1
2	02104.48	TUBE,STIFFENER, 1/2" ID X 11-7/8" LG.	1
3	43078.05	LABEL, DETERGENT	1
4	02104.37	HOSE, 1/4ID X 3/8OD PVC	A/R
5	02104.51	TIE, NYLON 4"	4
6	02257.00	TUBE, SQUEEZE 8"	1
7	00911.00	SCREW, 8-32 X 1/2" PANHEAD	4
8	00418.00	COVER, PUMP	1
9	00419.00	ASSEMBLY, ROLLER	1
10	00919.00	SCREW, 10-32 X 1-1/2" PANHEAD	2
10a	00918.10	SCREW, 10-32 X 1-1/2" FLATHEAD	1
11	00417.10	BLOCK, PUMP	1
12	00416.00	MOTOR, PUMP 115VAC	1
13	00448.00	CONNECTOR, MALE BARREL	2
14	02104.52	ELBOW, 1/4" HOSE BARB	1
----	00415.00	ASSEMBLY, PERI-PUMP COMPLETE (Includes Items 6-13)	1

# Rinse-Aid Pump



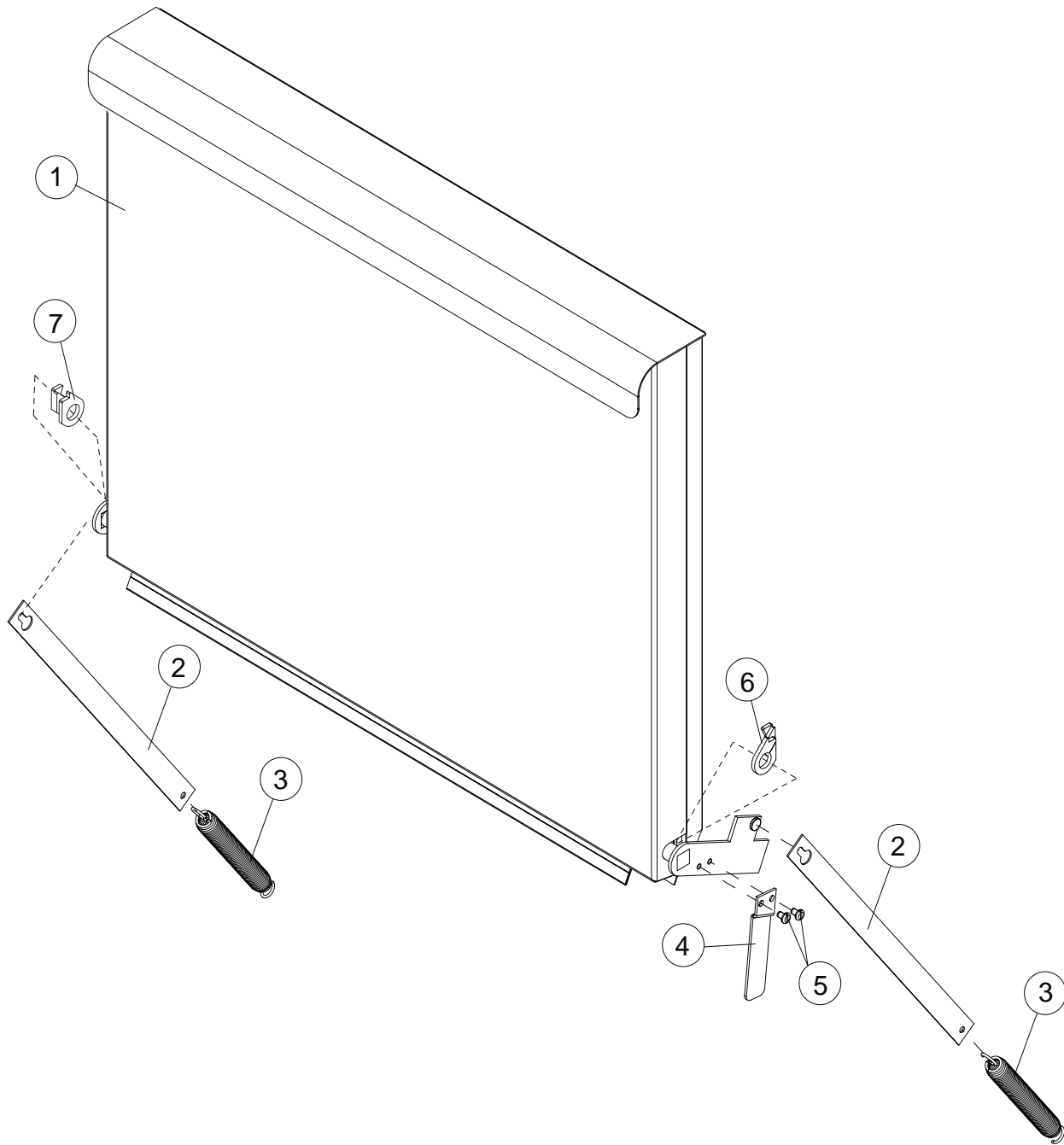
Item No.	Part No.	Description	Qty.
1	02104.47	STRAINER	1
2	02104.48	TUBE,STIFFENER, 1/2" ID X 11-7/8" LG.	1
3	40378.08	LABEL, RINSE AID	1
4	07237.00	TUBING, 1/8" ID X 1/4" OD	A/R
5	00931.00	TIE, CABLE 4-1/2"	4
6	02257.00	TUBE, SQUEEZE 8"	1
7	00911.00	SCREW, 8-32 X 1/2" PANHEAD	4
8	00418.00	COVER, PUMP	1
9	00419.00	ASSEMBLY, ROLLER	1
10	00919.00	SCREW, 10-32 X 1-1/2" PANHEAD	2
10a	00918.10	SCREW, 10-32 X 1-1/2" FLATHEAD	1
11	00417.10	BLOCK, PUMP	1
12	00416.00	MOTOR, PUMP 115VAC	1
13	00448.00	CONNECTOR, MALE BARREL	2
14	00425.54	TUBING, CHEMICAL 1/4" NATURAL	A/R
15	02106.12	CONNECTOR, 5/32" X 1/8"	1
-----	00415.00	ASSEMBLY, PERI-PUMP COMPLETE (Includes Items 6-13)	1



Item No.	Part No.	Description	Qty.
1	02103.62	FITTING, COMP 1/4" OD X 1/8 MPT ELL J	1
2	02104.60	ADAPTOR, 1/8" NPT X 1/4" TUBE	1
3	00425.54	TUBING, CHEMICAL 1/4" NATURAL	A/R
4	02104.62	LABEL, GAUGE	1
5	02104.63	GAUGE, PRESSURE 0-60PSI	1
6	02103.25	THERMOMETER, 2" DIAL, 7' CAPILLARY	2
7	00929.00	BOLT, 1/4-20 X 3/4" TRUSS HEAD	2
8	02104.66	PANEL, FRONT UC65e	1
9	02104.67	FOOT, ADJUSTING	4
10	02104.68	NUT, KEPS, 10-32	1
11	02104.69	WRAP, OUTER PANEL	1
12	02104.70	CLAMP, DOUBLE CONDUIT	3
13	02106.13	PANEL, REAR	1
14	02103.39	SCREW TRUSS HEAD 10-32 X 3/8"	4
15	02104.85	FRAME STAND	1

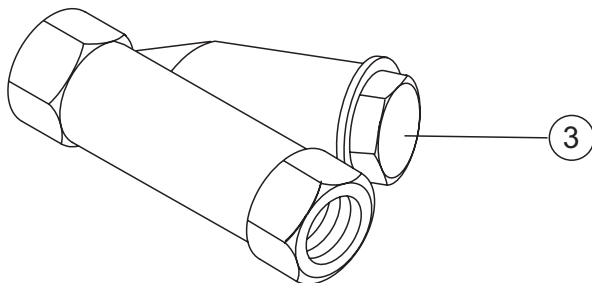
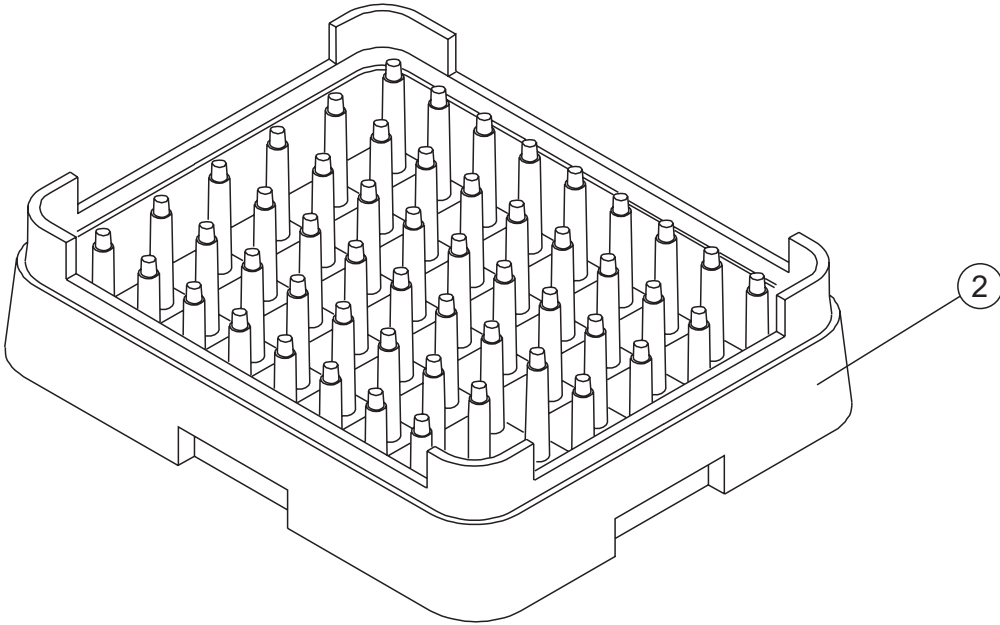
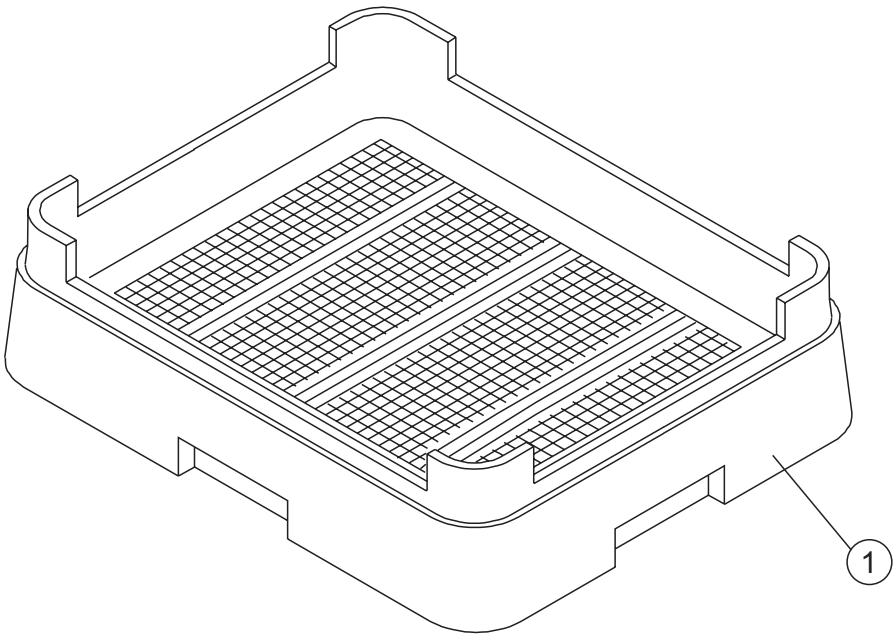


Door



<b>Item No.</b>	<b>Part No.</b>	<b>Description</b>	<b>Qty.</b>
1	02104.73	DOOR WELDED ASSY	1
2	02104.76	ARM, DOOR SPRING	2
3	02104.77	SPRING, DOOR	2
4	02104.78	ACTUATOR, DOOR SWITCH	1
5	00911.10	SCREW, 8-32 X 3/8" TRUSS HEAD	2
6	02104.88	SEAL, DOOR HINGE, RH	1
7	02104.87	SEAL, DOOR HINGE, LH	1

**Dish Racks, Line Strainer**



<b>Item No.</b>	<b>Part No.</b>	<b>Description</b>	<b>Qty.</b>
1	12960.01	DISH RACK, BOWL	A/R
2	12960.03	DISH RACK, PEG	A/R
3	03602.50	STRAINER, LINE 1/2" Y	1

***This Page  
Intentionally  
Left Blank***