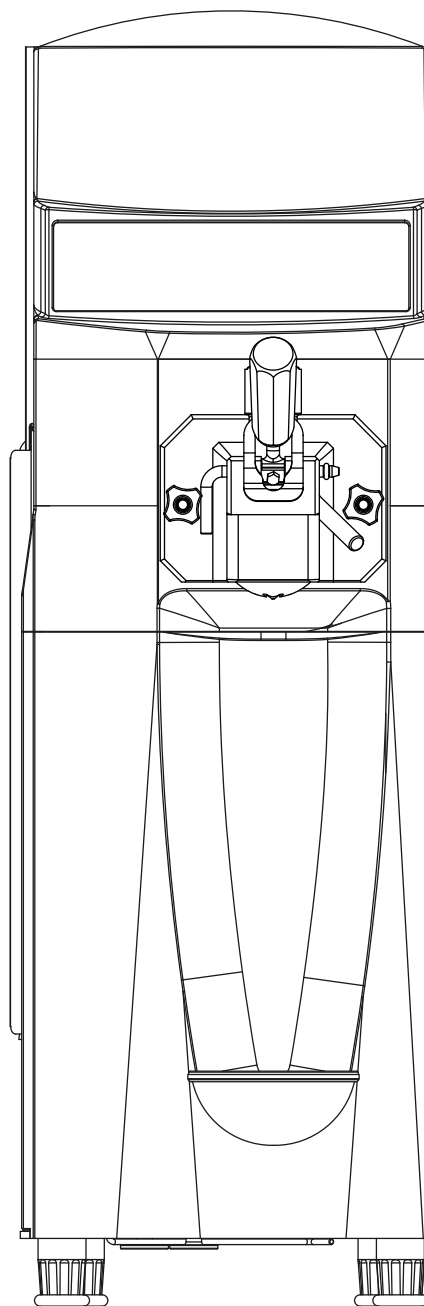
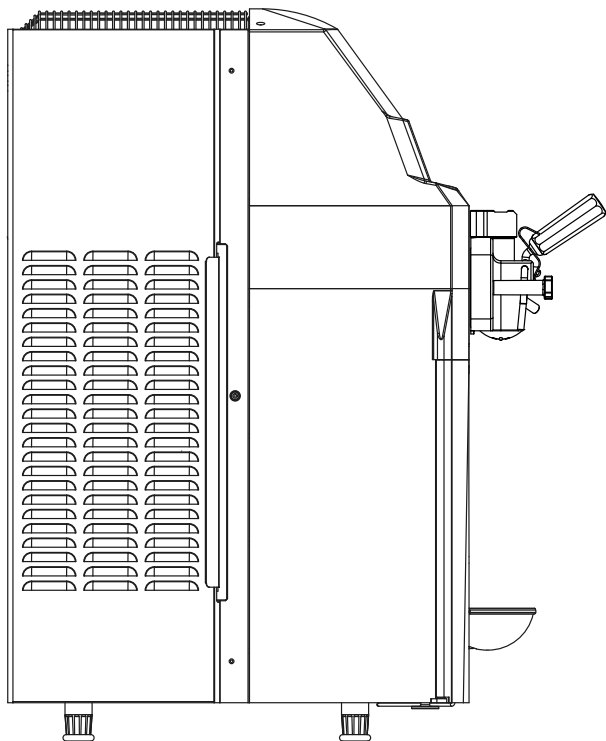


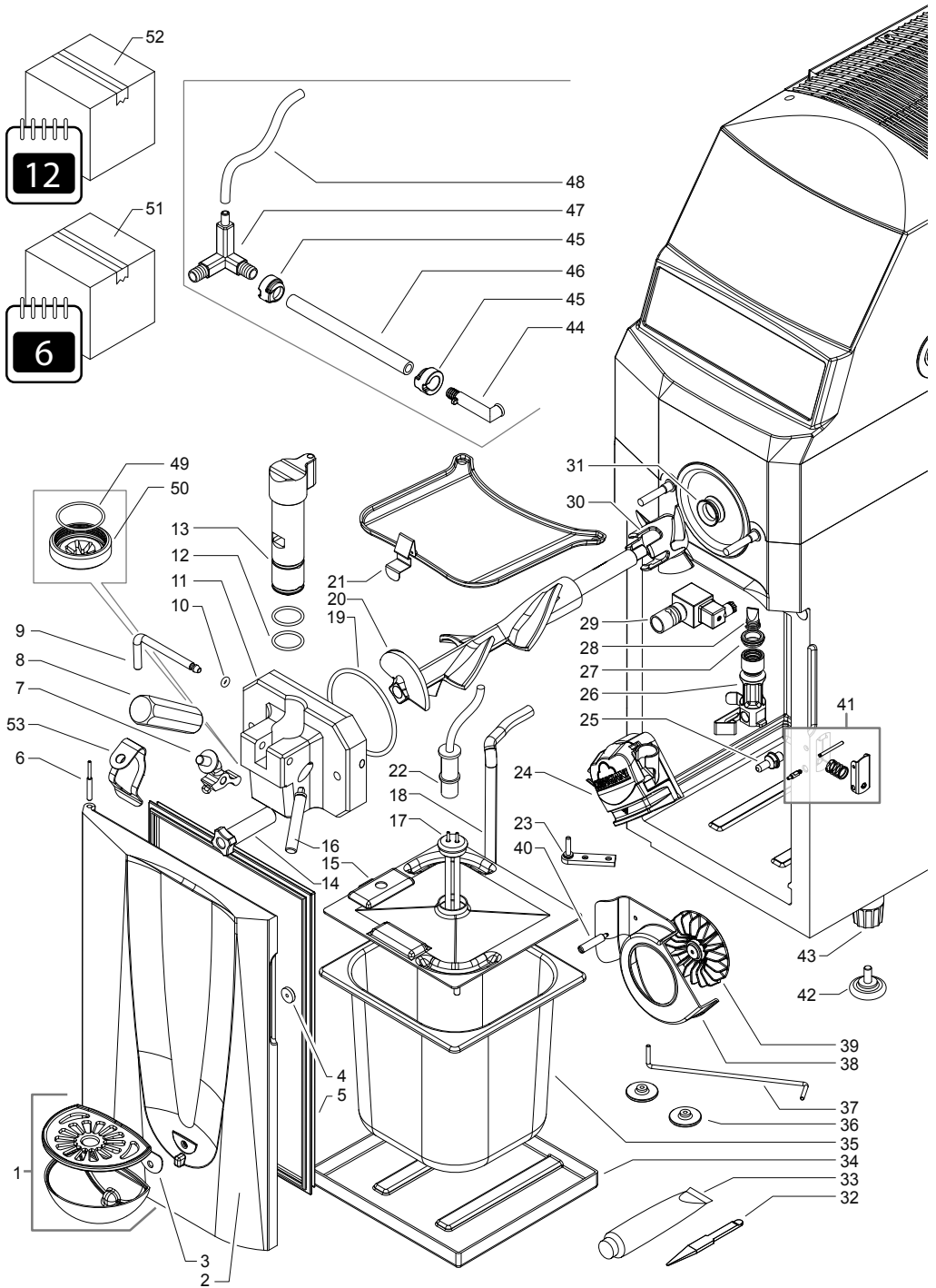
# 151 SOFT MACHINE



Lista de recambios  
Spare parts list  
Pezzi di ricambio  
Liste rechange  
Lista de peças



NEVERA - FRIDGE - CABINET - FRIGIDAIRE - NEVEIRA



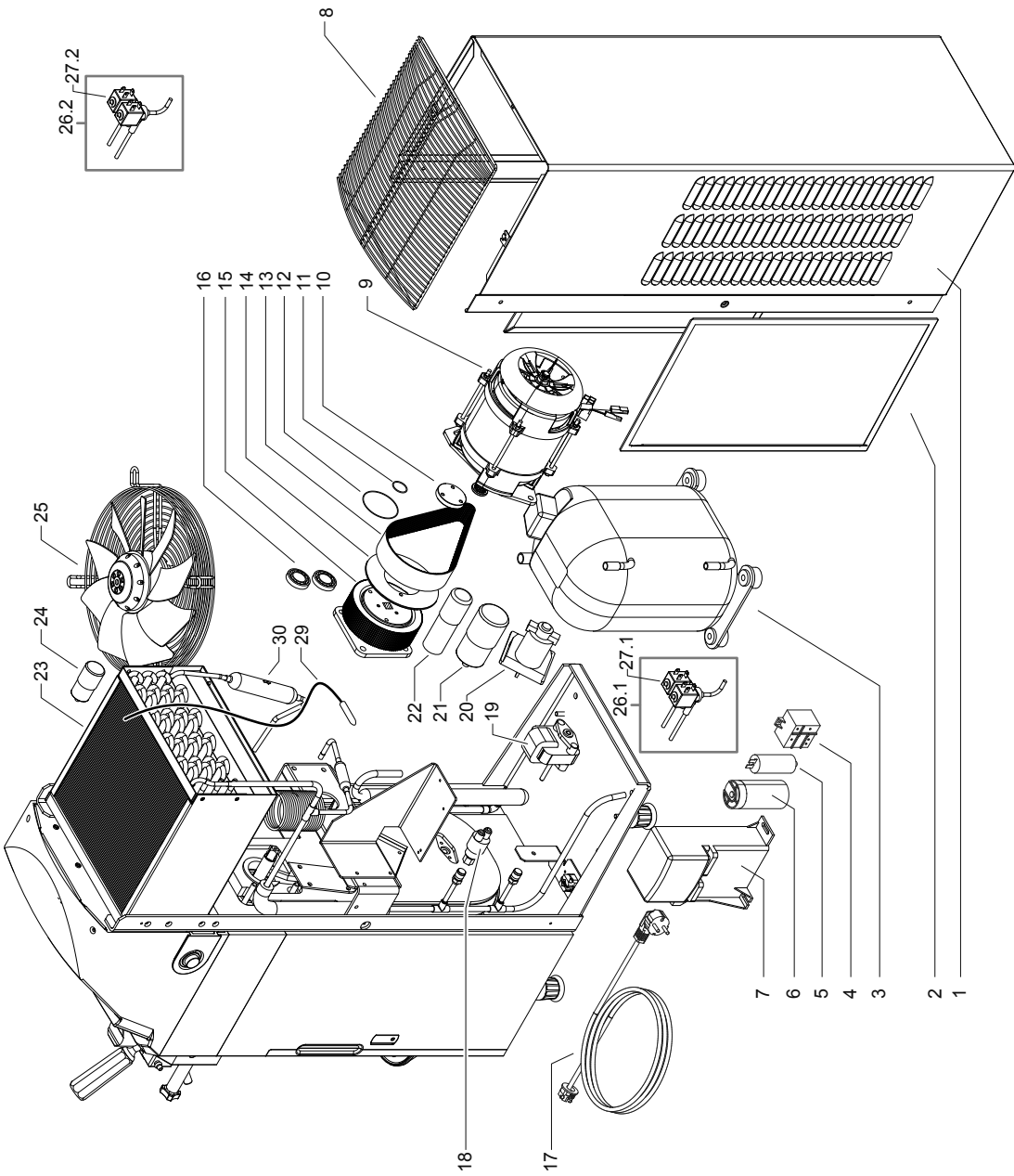
# NEVERA - FRIDGE - CABINET - FRIGIDAIRE - NEVEIRA

1	SL310007489	Bandeja + Rejilla goteo - blanca	Dripping Tray + Grating - white	Vasch. + Griglia scarico - bianca	Plateau + Grille d'égout - blanc	Bandeja + Rejilla got. - branca
	SL310010844	Bandeja + Rejilla goteo - negra	Dripping Tray + Grating - black	Vasch. + Griglia scarico - nera	Plateau + Grille d'égout - noir	Bandeja + Rejilla got. - preta
2	SL102-005414	Puerta nevera - blanca	Fridge door - white	Porta cabinet - bianca	Porte frigidaire - blanche	Porta nevera - branca
	SL102-005611	Puerta nevera - negra	Fridge door - black	Porta cabinet - nera	Porte frigidaire - noir	Porta nevera - preta
3	SL320003237	Ancilaje bandeja goteo	Dripping tray anchor	Ancoraggio vaschetta scarico	Ancrage plateau d'égoutement	Ancoragem bandeja gotejamento
4	SL330000436	Magneto puerta nevera	Fridge door magnet	Porta cabinet magnete	Porte frigidaire magnet	Porta nevera magneto
5	SL320003241	Junta puerta nevera	Fridge door joint	Guarnición puerta cabinet	Joint porte frigidaire	Junta porta nevera
6	SL310R00012	Passador inox. puerta nevera	Stainless steel fridge door bolt	Perno inox. porta cabinet	Goujon inox. porte frigidaire	Passador inox. porta nevera
7	SL310R00006	Cuerpo leva grifo	Dispensing lever body	Corpo leva rubinetto	Corp manette robinet	Corpo alavanca torneira
8	IC118164050	Leva grifo - blanca	Dispensing lever - white	Leva rubinetto - bianca	Manette robinet - blanc	Alavanca torneira - branca
9	IC155162700	Passador grifo	Tap pin	Perno rubinetto	Goujon robinet	Passador torneira
10	IC541000285	Junta tórica 3,53x4,34	O-ring 3,53x4,34	Guarnizione 3,53x4,34	Joint torique 3,53x4,34	Junta tórica 3,53x4,34
11	SL118-001263	Cuerpo grifo	Tap body	Corpo rubinetto	Corp robinet	Corpo torneira
12	IC541000153	Junta tórica 3,53 26,58	O-ring 3,53 26,58	Guarnizione 3,53 26,58	Joint torique 3,53 26,58	Junta tórica 3,53 26,58
13	SL310009843	Pistón grifo	Tap plunger	Pistone rubinetto	Piston robinet	Pistão torneira
14	IC173105340	Pomo	Knob	Pomo	Pommeau	Pomo
15	SL310011006	Tapa depósito inox.	Stainless steel tank cover	Coperchio vasca inox.	Couverde réservoir inox.	Tampa depósito inox.
16	SL310R00005	Perno cuerpo grifo	Tap body bolt	Perno corpo rubinetto	Boulon corp robinet	Perno corpo torneira
17	SL310009431	Sonda nivel	Level probe	Sonda livello	Sonde niveau	Sonda nivel
18	SL320003298	Tubo aspiración	Suction pipe	Tubo aspirazione	Tube aspiration	Tubo sucção
19	IC541000188	Junta tórica 5,34x91,44	O-ring 5,34x91,44	Guarnizione 5,34x91,44	Joint torique 5,34x91,44	Junta tórica 5,34x91,44
20	IC142020190	Agitador	Agitator	Agitatore	Agitateur	Agitador
21	SL310008885	Bandeja superior nevera	Fridge top tray	Vaschetta superiore cabinet	Plateau supérieur frigidaire	Bandeja superior nevera
22	SL310008871	Cable sonda nivel	Level probe cable	Cavo sonda livello	Câble sonde niveau	Cabo sonda nivel
23	SL310R00004	Bisagra puerta nevera	Fridge door hinge	Cerniera porta cabinet	Charnière porte frigidaire	Bisagra porta nevera
24	IC570100150	Bomba	Pump	Pompa	Pompe	Bomba
25	SL171-002744	Racord sonda T° nevera	Fridge T° probe racor	Raccordo sonda T° cabinet	Raccord, sonde T° frigidaire	Racord sonda T° nevera
26	SL310012144	Tubo entrada	Inlet pipe	Tubo ingresso	Tube bouche	Tubo ingresso
27	SL320003491	Junta tubo entrada	Inlet pipe joint	Guarnizione tubo ingresso	Joint tube bouche	Junta tubo ingresso
28	IC177110350	Válvula antirretorno	Non-return valve	Válvula di non ritorno	Valve anti-retour	Válvula antirretorno
29	SL310012356	Electroválvula	Electrovalve	Electrovalvola	Électrovalve	Electroválvula
30	SL310010644	Hélice agitador extensión	Agitator blade extension	Elica agitatore estensione	Hélice Agitator extension	Hélice agitador extensão
31	IC177120260	Prensaestopa agitador	Agitator drive shaft seal	Premistoppa agitatore	Presse etoupe agitateur	Junta eixo transmissão agitador
32	SL320003428	Extractor juntas tóricas	O-rings extractor	Estrattore guarnizioni	Extracteur joints toriques	Extractor juntas tóricas
33	SL310010577	Tubo foodmax vaselina	Grease tube Foodmax	Tubo vaselina Foodmax	Tube vaseline Foodmax	Tubo foodmax vaselina
34	SL320003261	Bandeja inferior nevera	Fridge bottom tray	Vaschetta inferiore cabinet	Plateau inférieur frigidaire	Bandeja inferior nevera
35	SL330000429	Depósito inox.	Stainless steel tank	Vasca inox.	Réservoir inox.	Depósito inox.

# NEVERA - FRIDGE - CABINET - FRIGIDAIRE - NEVEIRA

36	SL310R00002	Guia varilla puerta	Door rod guide	Guida asta porta	Glissière tige porte	Guia varinha porta
37	SL310008148	Varilla puerta	Door rod	Asta porta	Tige porte	Varinha porta
38	SL320003335	Tapa turbina	Turbine cover	Coperchio turbina	Couverde turbine	Tampa turbina
39	SL330000438	Turbina motorventilador nevera	Fridge fan motor turbine	Turbina motorventilatore cabinet	Turbine moteur ventilateur frigidaire	Turbina motorventilador nevera
40	SL320003340	Perno fijación	Fixing bolt	Perno fermo	Boulon fixation	Perro fixação
41	SL310007840	Cierre puerta nevera	Fridge door enclosure	Chiusura porta cabinet	Fermeture porte frigidaire	Fechamento porta nevera
42	SL300350856	Pie antideslizante	Nonslip foot	Piede antiscivolo	Pied antidérapant	Pé antidesslizante
43	SL310R00003	Pie nivelador	Leveling foot	Piede livellatore	Pied à niveler	Pé nivelador
44	SL310R00007	Conexión tubo ingreso	Inlet pipe connection	Connessione tubo ingresso	Raccordement tube bouche	Conexão tubo ingresso
45	SL320003294	Racord conexión bomba	Pump connection racor	Raccordo connessione pompa	Raccord raccordement pompe	Record conexão bomba
46	SL310011919	Tubo bomba	Pump pipe	Tubo pompa	Tube pompe	Tubo bomba
47	SL171-04071	Soporte válvula entrada aire	Air inlet valve support	Supporto valvola ingresso aria	Support valve bouche d'air	Soporte válvula ingresso ar
48	SL157-006427	Tubo aspiración	Suction pipe	Tubo aspirazione	Tube aspiration	Tubo sucção
49	IC118155430	Junta tórica 2,62 34,6 NB 70	O-ring 2.62 34.6 NB 70	Guarnizione 2.62 34.6 NB 70	Joint torique 2.62 34.6 NB 70	Junta tórica 2.62 34.6 NB 70
50	IC118155430	Reductor a estrella	Reduction-to-star	Riduttore a stella	Reducteur étoile	Reductor a estrela
51	SL310R00015	Kit juntas 6 meses	6 month gasket kit	Kit guarnizione 6 mesi	Joint kit 6 mois	Kit juntas 6 meses
52	SL310R00016	Kit juntas 12 meses	12 month gasket kit	Kit guarnizione 12 mesi	Joint kit 12 mois	Kit juntas 12 meses
53	IC178-008469	Muelle cierre automático	Spring for self-closing	Molla auto chiusura	Ressort fermeture automatique	Mola de fecho automática

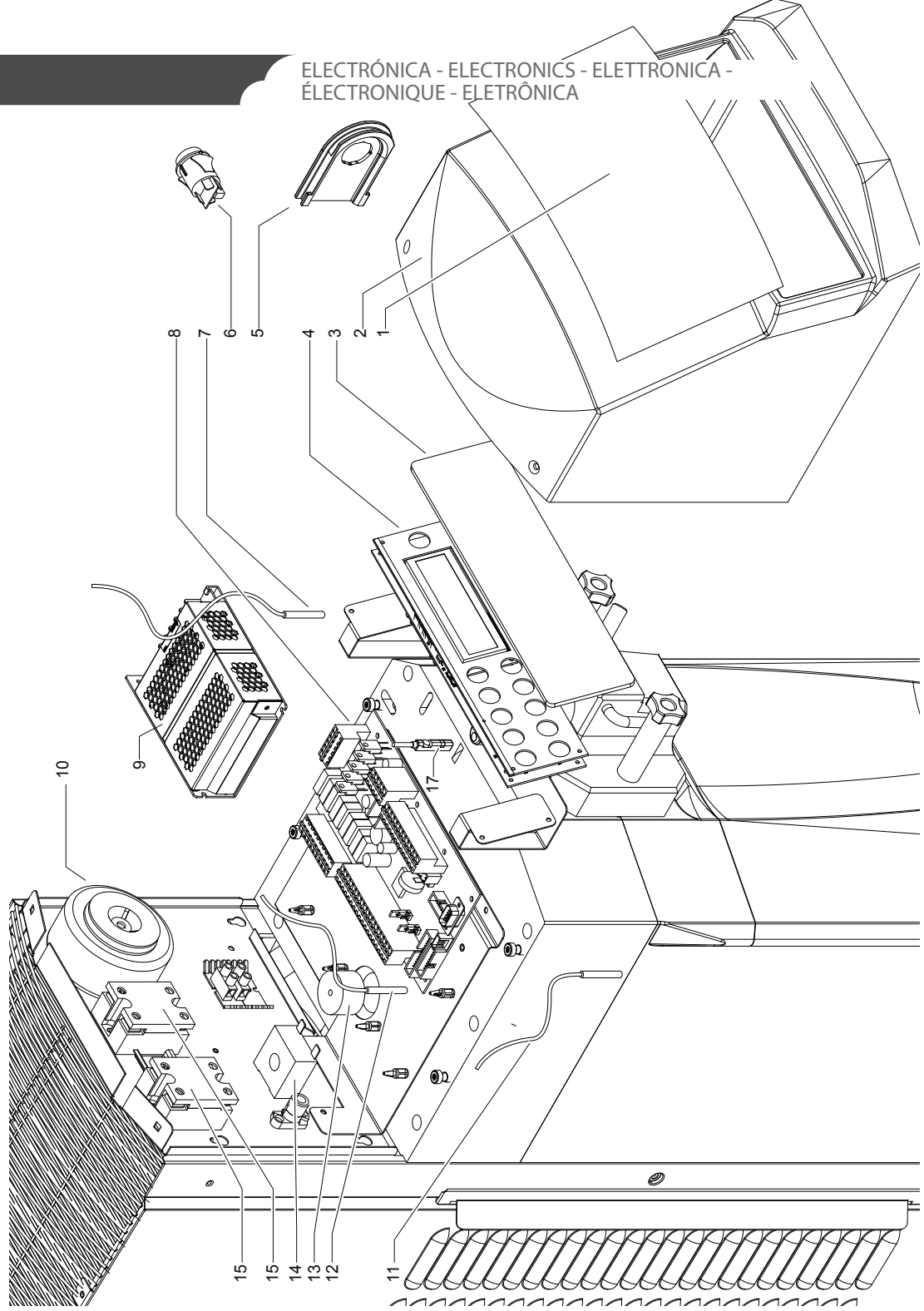
TRANSMISIÓN/FRÍO - TRANSMISSION/COLD -  
TRASSMISSION/FREDDO - TRANSMISSION/FROID -  
TRANSMISSÃO/FRIO



TRANSMISSION/FRÍO - TRANSMISSION/COLD - TRASSMISSION/FREDDO -  
TRANSMISSION/FROID - TRANSMISSÃO/FRIO

1	SL310R000009	Panel en "U" - Aoero	"U" Panel - Steel	Pannello in "U" - Acciaio	Panneau en "U" - Acier	Panel em "U" - Aço
2	SL310R000019	Panel en "U" - Negro	"U" Panel - Black	Pannello in "U" - Nero	Panneau en "U" - Noir	Panel em "U" - Preto
3	SL320003265	Filtro de aire	Air filter	Filtro d'aria	Filtre d'air	Filtro de ar
4	SL310010647	Compresor	Compressor	Compressore	Compresseur	Compressor
5	SL310009251	Relé compresor	Compressor relay	Relé compresore	Relais compresseur	Relé compresor
6	SL310009252	Condensador mancha compr.	Compressor running capacitor	Condensatore mancha compressore	Condensateur marche compresseur	Condensador marcha compressor
7	SL310009253	Condensador arranque compr.	Compressor capacitor	Condensatore arranque compr.	Condensateur compresseur	Condensador compressor
8	SL310009254	Caja manibras compresor	Compressor operation box	Scatola manovre compressore	Boite fonctionnement compresseur	Caixa manobras compressor
9	SL310R000001	Rejilla superior + presillas	Top grid + clips	Griglia superiore + fascetta	Grille supérieure + passants	Grade superior + passadeiras
10	SL133-004872	Motor agitador	Agitator motor	Motore agitatore	Moteur agitateur	Motor agitador
11	SL310009429	Guía polea	Pulley guide	Guida puleggia	Gleisière poulie	Guia roldana
12	IC541000423	Junta tórica 1,78 20,35	O-ring 1,78 20,35	Guarnizione 1,78 20,35	Joint torique 1,78 20,35	Junta tórica 1,78 20,35
13	SL159-000253	Junta tórica Ø50X1	O-ring Ø50X1	Guarnizione Ø50X1	Joint torique Ø50X1	Junta tórica Ø50X1
14	SL53-000576	Correa de transmisión	Transmission belt	Cinghia de trasmissione	Courroie de transmission	Correa de transmissão
15	SL310008745	Tapa polea	Pulley cover	Coperchio puleggia	Couverde poulie	Tampa roldana
16	SL152-004283	Conjunto polea motor	Motor pulley set	Puleggia motore completa	Poulie moteur complète	Roldana motor completa
17	SL310R000010	Rodamientos	Ball bearings	Cuscinetti a sfera	Roulements	Rolamentos
18	SL310010635	Cable alimentación	Power cable	Cavo alimentazione	Câble alimentation	Cabo alimentação
19	SL310007543	Presostato	Out of pressure	Pressostato	Pressostat	Presostato
20	SL310008783	Motor + turbina nevera	Motor +fridge turbine	Motore + turbina cabinet	Moteur + turbine frigidaire	Motor + turbina neveria
21	SL330000432	Motor bomba	Pump motor	Motore pompa	Moteur pompe	Motor bomba
22	SL574-000752	Cond. arranque motor agitador	Agitator motor capacitor	Cond. motore agitatore	Cond. moteur agitateur	Cond. motor agitador
23	SL574-000610	Cond. marcha motor agitador	Agitator motor running capacitor	Cond. marcha motore agitatore	Cond. marche moteur agitateur	Cond. marcha motor agitador
24	SL310009083	Condensador	Condenser	Condensatore	Condensateur	Condensador
25	SL552-000813	Condensador marcha ventilador	Fan running capacitor	Condensatore marcha ventilatore	Condensateur marche ventilateur	Condensador marcha ventilador
26	SL552-000610	Motovertilador 230V/50/60	Fan motor 230V/50/60	Motovertilatore 230V/50/60	Motovertilateur 230V/50/60	Motovertilador 230V/50/60
27	SL38EAE48GL	Electrov. doble CEME / OLAB	Double electrov. CEME / OLAB	Electrov. doppia CEME / OLAB	Electrov. double CEME / OLAB	Electrov. dobre CEME / OLAB
28	SL38EAE48GL	Bobina electrov. CEME 230V/50Hz	Electrov. bobbin CEME 230V/50Hz	Bobina electrov. CEME 230V/50Hz	Bobine electrov. CEME 230V/50Hz	Bobina electrov. CEME 230V/50Hz
29	IC572910115	Bobina electrov. OLAB 230V/50Hz	Electrov. bobbin OLAB 230V/50Hz	Bobina electrov. OLAB 230V/50Hz	Bobine electrov. OLAB 230V/50Hz	Bobina electrov. OLAB 230V/50Hz
30	SL310007453	Sonda Temperatura	Temperature probe	Sonda Temperatura	Sonde Temperature	Sonda Temperatura
		Filtro	Filter	Filtro	Filtre	Filtro

ELECTRÓNICA - ELECTRONICS - ELETTRONICA -  
ÉLECTRONIQUE - ELETRÔNICA

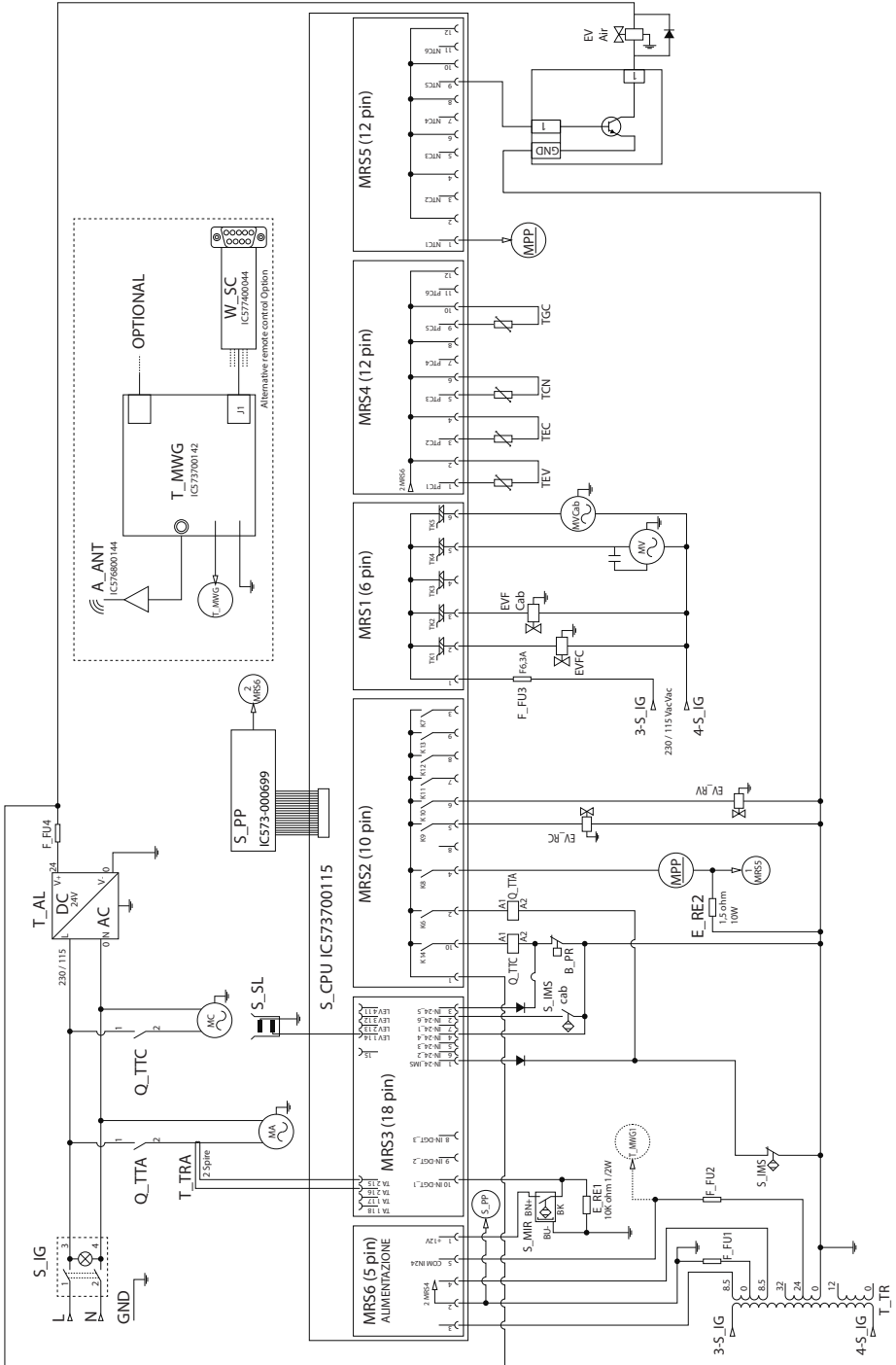




# ELECTRÓNICA - ELECTRONICS - ELETTRONICA - ÉLECTRONIQUE - ELETRÔNICA

1	SL192-005309	Adhesivo cubierta superior	Top cover adhesive	Adesivo copercchio superiore	Adhésif couvercle supérieur	Adesivo cobertura superior
2	SL310R00011	Cubierta sup. + Soporte - Blanca	Top cover + Support - White	Coperchio sup. + Supporto - Bianco	Couvercle sup. + Support - Blanc	Cobertura sup. + Suporte - Branca
	SL310R00020	Cubierta sup. + Soporte - Negra	Top cover + Support - Black	Coperchio sup. + Supporto - Nero	Couvercle sup. + Support - Noir	Cobertura sup. + Suporte - Preta
3	SL107-004896	Adhesivo panel mandos	Command panel adhesive	Adesivo pannello portacomandi	Adhésif panneau commandes	Adesivo painel comandos
4	IC573-000699	Display	Display	Display	Display	Display
5	SL310010178	Soporte interruptor - Blanco	Switch support - White	Supporto interruttore - Bianco	Support interrupteur - Blanc	Suporte interruptor - Branco
	SL310010831	Soporte interruptor - Negro	Switch support - Black	Supporto interruttore - Nero	Support interrupteur - Noir	Suporte interruptor - Preto
6	SL330000461	Interruptor general verde	Green main switch	Interruttore generale verde	Interrupteur vert lumineux	Interruptor geral verde
7	SL310011018	Sensor magnético puerta nevera	Fridge door magnetic sensor	Sensore magnetico porta cabinet	Capteur magnétique porte frigidaire	Sensor magnético porta neverira
8	IC573700148	Tarjeta electrónica	Electronic board	Scheda elettronica	Plaque électronique	Placa electrónica
9	IC571201026	Fuente alimentación	Power supply	Alimentatore	Alimentateur	Fonte alimentação
10	IC574100356	Transformador	Tor. transformer	Transformatore tor.	Transformateur tor.	Transformador tor.
11	IC572910103	Sonda de temperatura nevera	Fridge temperature probe	Sonda temperatura cabinet	Sonde température frigidaire	Sonda temperatura neverira
12	IC572910103	Sonda cilindro	Cylinder probe	Sonda cilindro	Sonde cylindre	Sonda cilindro
13	SL310007754	Tapón sonda de temperatura producto	Product temperature probe plug	Tappo sonda temperatura prodotto	Bouchon sonde température produit	Tapão sonda temperatura produto
14	IC574100349	Transformador amperométrico	Amperometric transformer	Transformatore amperometrico	Transformateur ampérométrique	Transformador amperométrico
15	SL571-000751	Relé SSR-RM1A48A75	Relay SSR-RM1A48A75	Relé SSR-RM1A48A75	Relais SSR-RM1A48A75	Relé SSR-RM1A48A75
16						
17	IC572910188	Sensor magnético grifo	Tap magnetic sensor	Sensore magnetico rubinetto	Capteur magnétique robinet	Sensor magnético tomeira

ESQUEMA ELÉCTRICO - WIRING DIAGRAM  
- SCHEMA ELETTRICO - SCHEMA ÉLECTRIQUE  
- ESQUEMA ELETRICO



# ESQUEMA ELÉCTRICO - WIRING DIAGRAM - SCHEMA ELETTICO

## SCHEMA ÉLECTRIQUE - ESQUEMA ELETRICO

Descripción	Description	Descrizione	Description	Descrìo
A_ANT	Antena	Antenna	Antenne	Antena
B_PR	Pressostato	Pressostato	Pressostat	Pressostato
E_R	Resistencia	Resistenza	Resistance electrique	Resistencia
EV_Air	Electroválvula aire	Electrovalvola aria	Electrovalve aire	Electrovalvula aire
EVFC	Electroválvula enfriamiento cilindro	Cylinder cooling solenoid valve	Cylindre refroidissement	Electrovalvula cilindro
EVFCab	Electroválvula enfriamiento nevera	Fridge cooling solenoid valve	Electrovalvola raffreddamento Cabinet	Electrovalvula depósito
EV_RV	Electroválvula defrost	Defrost valve	Electrovalvola defrost	Electrovalvula defrost
EV_RC	Electroválvula Hot gas	Hot gas valve	Electrovalvola Hot gas	Electrovalvula Hot gas
F_FU1 (No E.TL)	Fusible EX050-V1	Fuse EX050-V1	Fusible EX050-V1	Fusible EX050-V1
F_FU2 (No E.TL)	Fusible EX300-V1	Fuse EX300-V1	Fusible EX300-V1	Fusible EX300-V1
F_FU3 (No E.TL)	Fusible LU200V2	Fuse ECERB400	Fusible ECERB400	Fusible ECERB400
F_FU4 (No E.TL)	Fusible ECERB400	Fuse LU200V2	Fusible LU200V2	Fusible LU200V2
F_FU1 (E.TL)	Fusible T630mA	Fuse T630mA	Fusible T630mA	Fusible T630mA
F_FU2 (E.TL)	Fusible T3.15A	Fuse T3.15A	Fusible T3.15A	Fusible T3.15A
F_FU3 (E.TL)	Fusible F8A	Fuse F8A	Fusible F8A	Fusible F8A
F_FU4 (E.TL)	Fusible T4A	Fuse T4A	Fusible T4A	Fusible T4A
M_MA	Motor agitador	Beater motor	Motor agitatore	Motor agitador
M_MC	Motor compresor	Compressor motor	Motor compresseur	Compressor
M_MP	Motor bomba	Pump motor	Moiteur pompe	Motor bomba
M_MV	Motorventilador	Fan motor	Moivoentilatore	Motorventilador
M_MVCab	Ventilador nevera caja eléctrica	Electrical box fan motor	Moivoentilatore cassetta	Motor turbina nevera
Q_TTA	Contacto motor agitador	Beater motor contactor	Telérateur motor agitatore	Contacto motor agitador
Q_TTC	Contacto motor compresor	Compressor motor contactor	Telérateur motor compresseur	Contacto motor compresor
S_IMS	Interruptor magnético de seguridad	Safety magnetic switch	Inerubtre magnético sicurezza	Sensor magnético corpo tomiera
S_IMS Cab	Interruptor magnético seguridad nevera	Fridge Safety magnetic switch	Inerubtre magnético sicurezza cabinet	Sensor magnético corpo Nevera
S_IG	Interruptor general	Main Switch	Inerubtre generale	Interruptor general
S_MIR	Interruptor grifo	Spigot Switch	Inerubtre Rubinello	Interruptor Tomiera
S_SL	Sonda nivel	Level probe	Sonda livello	Sonda nivel
S_PP	Caja de pulsadores	Push-Button Panel	Pulsantiera	Placa Electronica Panneau Comandes
TEV	Sonda Nevera	Fridge probe	Sonda CAbinet	Sonda Nevera
TEC	Sonda Cilindro	Cylinder probe	Sonda Cilindro	Sonda Cilindro
TCN	Sonda Condensador	Condenser probe	Sonda Condensatore	Sonda Condensador
TGC	Sonda Compresor	Compressor probe	Sonda Compresseur	Sonda Compresor
T_AL	Fuente de alimentación	Power supply	Alimentatore	Fonte alimentazione
T_TR	Transformador	Transformer	Transformatore	Transformador
T_TRA	Transformador amperimétrico	Current transformer	Transformatore amperimetrico	Transformador amperimétrico
T_MWG	Centralita Electrónica Micro Web Gate	Micro Web Gate Electronic Board	Centralina Micro Web Gate	Centralita Electronica Micro Web Gate
W_SC	Cable serie	Serial Cable	Cavo Seriale	Cable serie

