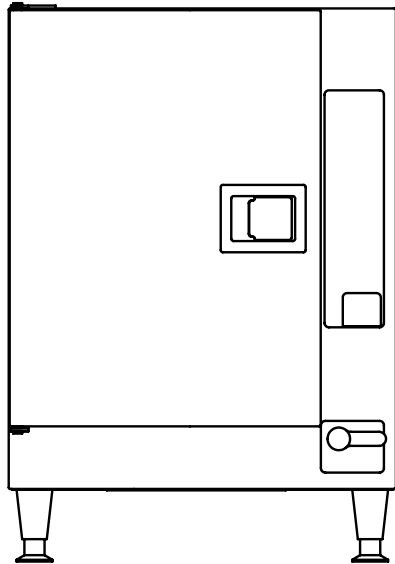
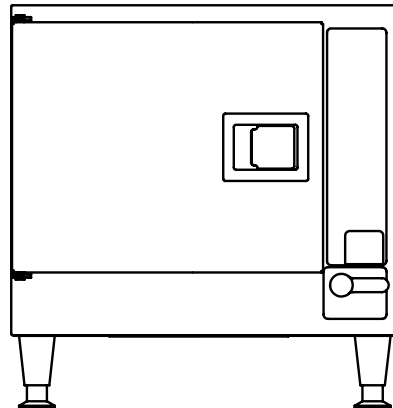


Parts Manual



PATENT PENDING



Energy Star SteamChef Models 22CET3.1

1333 East 179th Street
Cleveland, Ohio 44110

Phone: (216) 481 - 4900
1-800-338-2204

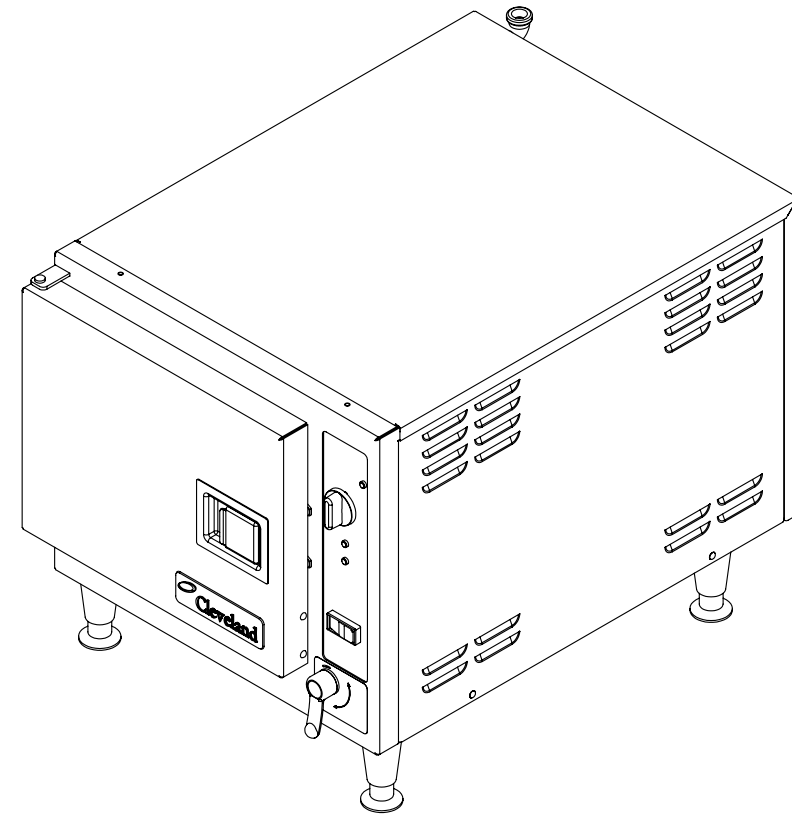
Fax: (216) 481 - 3782
www.clevelandrange.com



Cleveland

Part No. 22CET3.1Parts

| | | | | | | | |
|------|-----|------------|-------------------------------------------------------------------------|------|-----|------------|-------------------------------------------------------------------------|
| 50 | 1 | 1123600100 | TUBE, NEOPRENE, 5/16"ID x 1'LG | 106 | 3 | 14692 | NUT, HEX, 10-24, ELASTIC LOCK, ZINC PLTD, FASTENER |
| 49 | 1 | 110713 | SOCKET, 1/4" DRIVE, 9/16" 12 POINT | 105 | 4 | 106699 | NUT, SLIPON, #10-24, TIN, C17205-1024 |
| 48 | 1 | 110745 | NUT, HEX, 8-32 SMALL PATTERN, 1/4", SST | 104 | 1 | 05253 | ELBOW, STREET, 90°, 1/2 NPT, BRASS |
| 47 | 1 | 101336 | WASHER, FLAT, #8, SST | 103 | 6 | 111484 | SCREW, 6-32 X 3/8", PHILLIPS HEAD |
| 46 | 1 | 102187 | RING, RETAINING, .688 CRESCENT, J STEAMER | 102 | 1 | 110805 | INSULATION, BOTTOM PAN, STEAMCHEF |
| 45 | 1 | 112243 | BUSHING, SUPPORT, GEMINI | 101 | 1 | 109136 | INSULATION, BOTTOM PAN, STEAMCUB, H.L. |
| 44 | 1 | 112319 | LABEL, POWER CONTROL, STEAMCHEF 3.1/6.1 HL | 100 | 1 | 110680 | INSULATION, FIBERGLASS, BOTTOM REAR, STEAMCHEF 3 |
| 43 | 1 | 112320 | SHAFT, HANDLE TO VALVE, STEAMCHEF 3.1/6.1 | 99 | 1 | 110679 | INSULATION, FIBERGLASS, BOTTOM FRONT, STEAMCHEF 3 |
| 42 | 1 | 300331 | PANEL ASSY, MECH. TIMER, CHEF HL | 98 | 3 | 110677 | INSULATION, BOTTOM, STRIPS, STEAMCHEF 3 |
| 41 | 1 | 112001 | WELDMENT, BASE PAN, STEAMCHEF 3.1/6.1, HL | 97 | 24 | 112481 | NUT, HEX, 1/4-20 X 7/16 BR |
| 40 | 3 | 19555 | SPACER, 1/4" I.D. X 1/2 O.D. | 96 | 24 | 112480 | WASHER, BELLEVILLE, 1/4", 0.258 ID X 0.813 OD X 0.062 THK, TYP3 301 SST |
| 39 | 1 | 300695 | HV. PANEL, ASSY, STEAMCHEF, 6KV, 9KW & 13.5KW, 240/480V, HL ENERGY STAR | 95 | 4 | 110496 | NUT, SLIPON, 10-24, PNL .025 |
| 38 | 1 | 300677 | SWITCH, SNAP ACTING, 193 DEG. F, THERMAL CLOSE | 94 | 1 | 1058501900 | HOSE, 1/4" ID x 1/8", SILICON REINFORCED |
| 37 | 3 | 109152 | SWITCH SNAP | 93 | 1 | 1058501700 | HOSE, NYLON REINFORCED, 1/4" ID, 17" LG |
| 36 | 12 | 109134 | CHANNEL, HEATER MOUNTING STEAMCUB | 92 | 1 | 110229 | BUSHING, SNAP-IN FOR 2" DIA HOLE |
| 35 | 3 | 300186 | HEATER, CAST, 208V, 3000W | 91 | 1 | 102581 | BUSHING, SNAP-IN FOR 1 1/2 DIA HOLE |
| 34 | 1 | 112740 | ASSEMBLY, WATER SUPPLY, CHEF 3, 6 | 90 | 6 | 14672 | NUT, HEX, 10-32, ELASTIC LOCK, ZINC PLTD |
| 33 | 2 | 41423 | RACK ASSEMBLY, PAN 20" | 89 | 2 | 101655 | WASHER, FLAT, #10, SST |
| 32 | 6 | 101953 | CLIP, INSULATION RETAINER, 1-1/2, .105 HOLE, GALV. | 88 | 7 | 104080 | SCREW, TR, PHH, 8x1/2, TYPE B, SST |
| 31 | 1 | 112036 | SHEETING, TOP/BACK, STEAMCHEF 3.1, HL | 87 | 10 | 101231 | SCREW, 10-24 X 0.500 SST, PHILLIPS TRUSS HEAD |
| 30 | 1 | 110694 | SPACER, CONTROL LEVER STEAMCHEF 3 | 86 | 5 | 14665 | NUT, HEX, 1/4-20 LOCK, SST (NYLON INSERT) |
| 29 | 1 | 110652 | LEVER, CONTROL | 85 | 2 | 108734 | NUT, "U" TYPE (EXTRUDED) #10-24 UNC-2B THREAD |
| 28 | 1 | 111272 | SEAL, 1/4" ID X 3/4" OD X 1/4" THRU | 84 | 4 | 111798 | NUT, RETAINER, 1/2-13NC, 2B |
| 27 | 1 | 110683 | MOTOR, BLOWER STEAMCHEF 3 | 83 | 1 | 110675 | INSULATION, BODY WRAP, ST |
| 26 | 4 | 101873 | NUT, HEX 1/4-20 THIN LOCK, ZINC PLTD, STEEL | 82 | A/R | 111299 | GREASE, FOOD GRADE |
| 25 | 1 | 1118682 | GUARD, BACKPLATE, FAN, STEAMCHEF 3.1 | 81 | 2 | 111780 | WASHER, RETAINER, INSULATION |
| 24 | 1 | 1118681 | GUARD, FAN, STEAMCHEF | 80 | 1 | 108617 | THERMOSTAT, 205 DEG. F. |
| 23 | 4 | 111290 | SCREW, SHOULDER, 1/4-20 W/FLAT, FAN GUARD AND MOTOR SUPPORT, 316L SST | 79 | 1 | 300255 | BREAKER, CIRCUIT 1.5 AMP |
| 22 | 1 | 112690 | ASSY, PLATE, MOTOR MOUNTING, CHEF 3.1/6.1, HLHR | 78 | 1 | 108848 | BRACKET, CIRCUIT BREAKER SHIELD STEAMCRAFT 3.1 & 5.1 |
| 21 | 1 | 112235 | ASSEMBLY, DRAIN/POWER SWITCH, H.L., STEAMCHEF 3.1/6.1 | 77 | 1 | 108031 | CAP, HOSE NUT 3/4" HOSE THD. |
| 20 | 1 | 112387 | INSULATION, REAR, CHEF 3.1, HL ENERGY STAR UNIT | 76 | 1 | 108034 | WASHER 3/4 GHT HOSE |
| 19 | 3 | 104062 | RING, EXT, RETAINING, SST | 75 | 1 | 1060930850 | HOSE, SILICONE 3/4" ID X 8.500 LG. |
| 18 | 2 | 104077 | PIN, HINGE | 74 | 1 | 106157 | FITTING, BULKHEAD, 1/2NPT FOR 1 1/8" ID OPENING |
| 17 | 1 | 108171 | WHEEL, BLOWER BMW-334 | 73 | 1 | 111354 | FTG. BARB, 3/4H x 1/2 MPT, 90 DEG, BRASS |
| 16 | 4 | 19170 | SCREW, HEX HD, 1/4-20x5/8, SST | 72 | 1 | 112244 | BUSHING, INSERT |
| 15 | 7 | 23105 | WASHER, LOCK, 1/4" KATLINK STYLE, SST | 69 | 1 | 1123170175 | HOSE, 1.250" ID X 1.500 OD X 1.750 LG., NEOPRENE |
| 14 | 13 | 23116 | WASHER, FLAT, .281 ID x .625 OD x .065 THK, SST | 68 | 1 | 1060930275 | HOSE, SILICONE 3/4" ID X 2.750 LG. |
| 13 | 2 | 14649 | NUT, HEX, 1/2-13, ZINC PLTD | 67 | 1 | 107312 | CLAMP, HOSE, 1 1/8" OD, METAL TENSION BAND |
| 12 | 2 | 23149 | WASHER, NYLON, TYPE 616 | 66 | 1 | 08511000 | HOSE, WHITE EPDM, 3/4" ID X 10.000" LG |
| 11 | 8 | 101305 | PIN, RACK SUPPORT, S/S, 316L | 65 | 1 | 112260 | SHAFT COLLAR |
| 10 | 2 | 14695 | NUT, DOOR CATCH MOUNTING | 64 | 4 | 1110021 | ASSEMBLY, FOOT, STEAMCHEF |
| 9 | 12 | 14618 | NUT, HEX, 1/4-20, STAINLESS STEEL | 63 | 2 | 103966 | SHEETING, SIDE, STEAMCRAFT 3.1 |
| 8 | 1 | 112684 | WELDMENT, CONDENSER BOX, HL, X2 | 62 | 1 | 03204 | CLAMP, HOSE, WORM DRIVE 0.812 X 1.50 DIA |
| 7 | 1 | 3003231 | ASSEMBLY, PROBE, DUAL LEVEL, HL | 57 | 4 | 03207 | HOSE, CLAMP, LINED, WORM DRIVE, MAX OD 1.125 |
| 6 | 1 | 104046 | CATCH, DOOR | 56 | 1 | 106288 | SWITCH, THERMOSTAT, 140 DEG |
| 5 | 1 | 111029 | ASSEMBLY, COLLECTOR PLATE, HL, STEAMCHEF | 55 | 2 | 06241 | FTG. HOSE BARB, 3/4Hx1/2MPT, BR. |
| 4 | 1 | 104101 | DOOR ASSY, INNER, CONV, STM. | 54 | 2 | 102018 | CLAMP, HOSE, WORM DRIVE 1.5" - 2.0" |
| 3 | 1 | 110640 | DOOR, OUTER ASSEMBLY, HL STEAMCHEF 3 W/LOGO | 53 | 1 | 112737 | COVER, DOOR, FAN ACCESS, CHEF 3, 6 |
| 2 | 2 | 104035 | HINGE, DOOR | 52 | 1 | 300702 | PANEL, COMPONENT ASSY, CHEF, HL ENERGY STAR |
| 1 | 1 | 112033 | WELDMENT, CAVITY, STEAMCHEF 3.1, HL | 51 | 5 | 106526 | CLAMP, HOSE, WORM DRIVE, 3/8 TO 5/8x5/16W, SST |
| ITEM | QTY | PART NO. | DESCRIPTION | ITEM | QTY | PART NO. | DESCRIPTION |

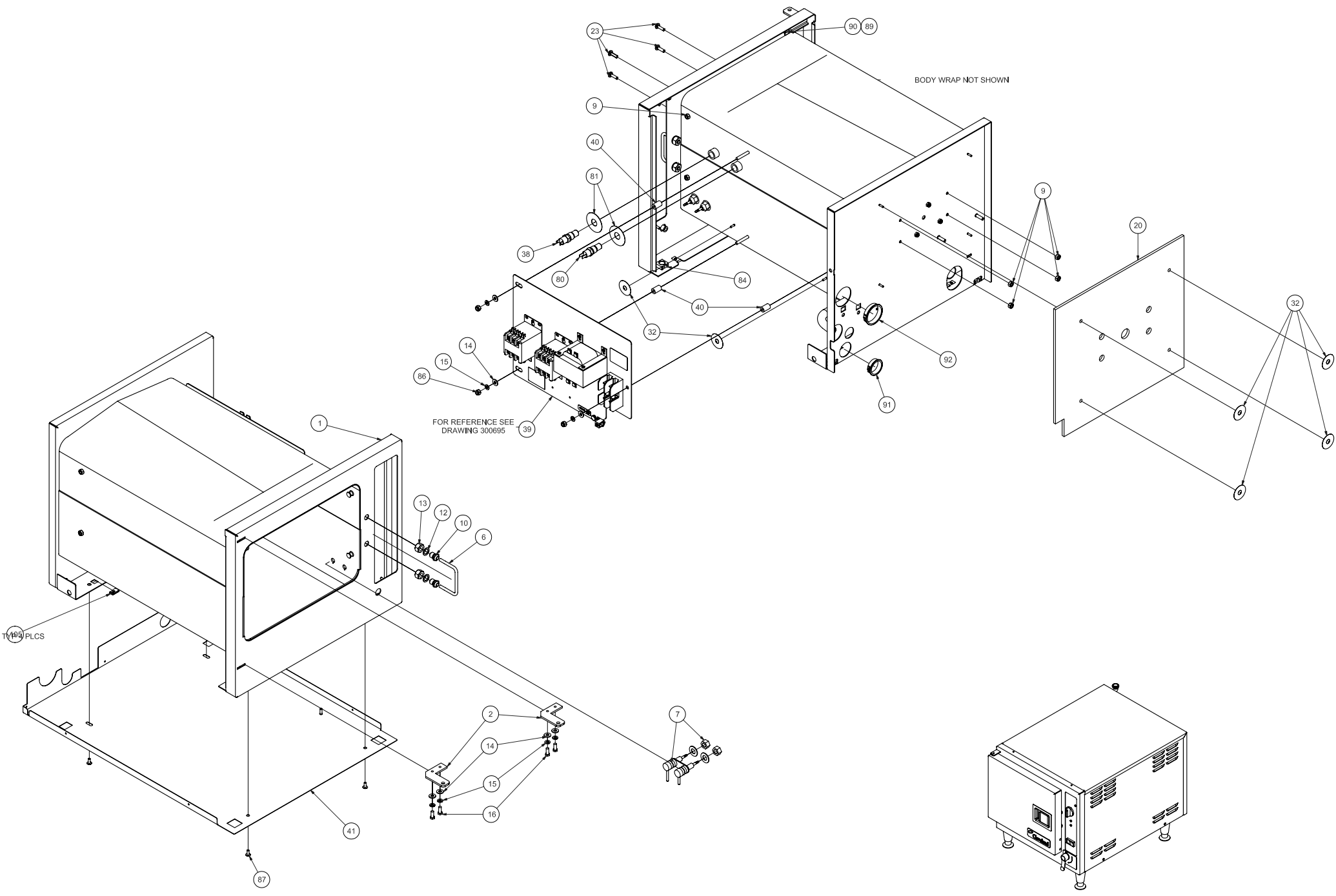


OPTIONS LIST:
CONTROL PANEL ASSEMBLY
 300331 PANEL ASSY, MECH. TIMER, CHEF HL
 300348 PANEL, CTRL, ASSY, ETC. HL, W/60 MIN MANUAL TIMER, CHEF
 300347 PANEL, CTRL, ASSY, ON-OFF, HL, CHEF

HEATER, CAST, 3000 W STEAMCUB, STEAMCHEF
 3001862 HEATER, 480V, 3000W, CAST
 3001861 HEATER, 240V, 3000W, CAST
 300186 HEATER, 208V, 3000W, CAST

SEE OPTIONS LIST

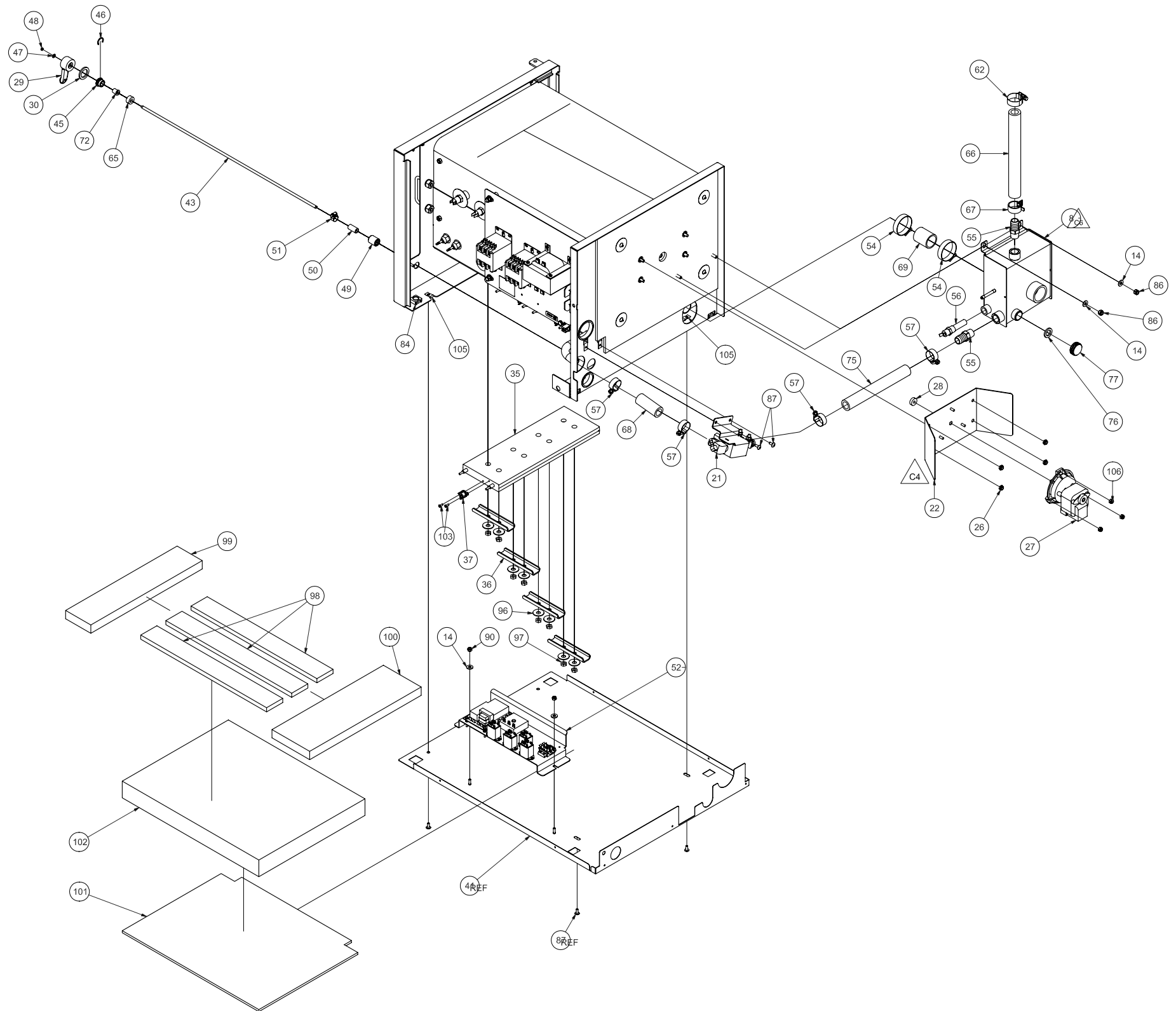
SEE OPTIONS LIST

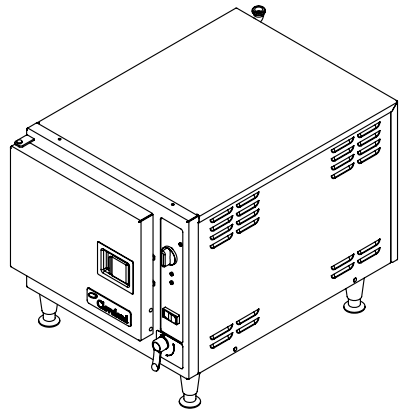


FOR REFERENCE SEE
DRAWING 300695

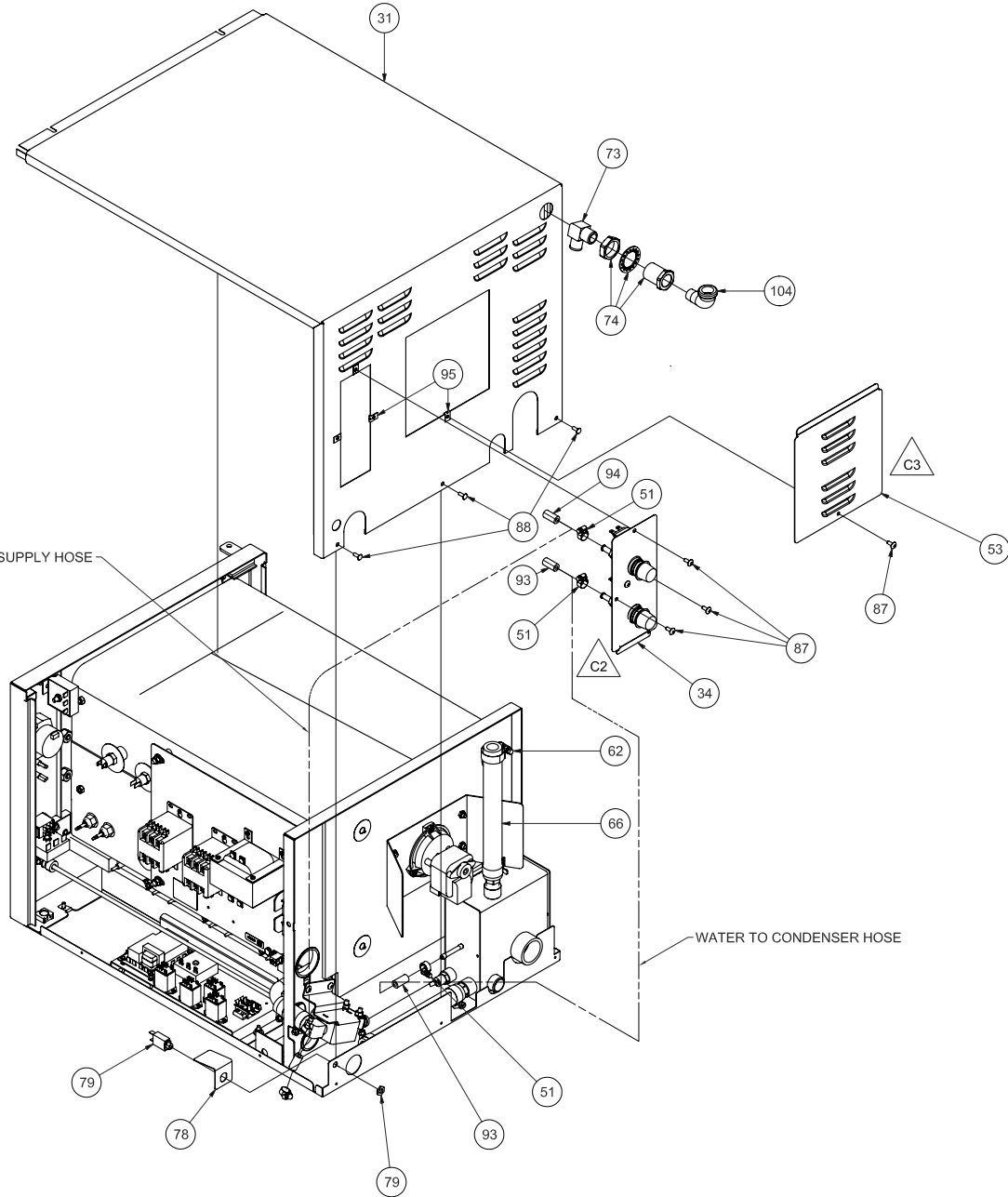
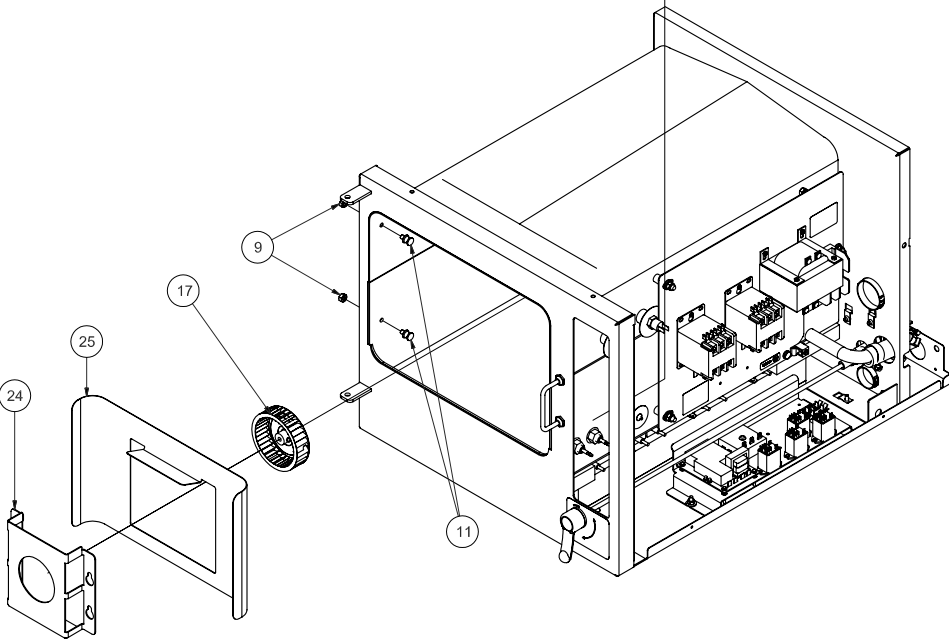
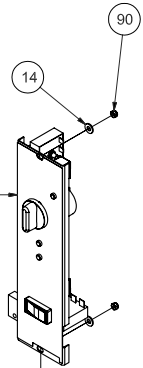
BODY WRAP NOT SHOWN

TV109 PLCS



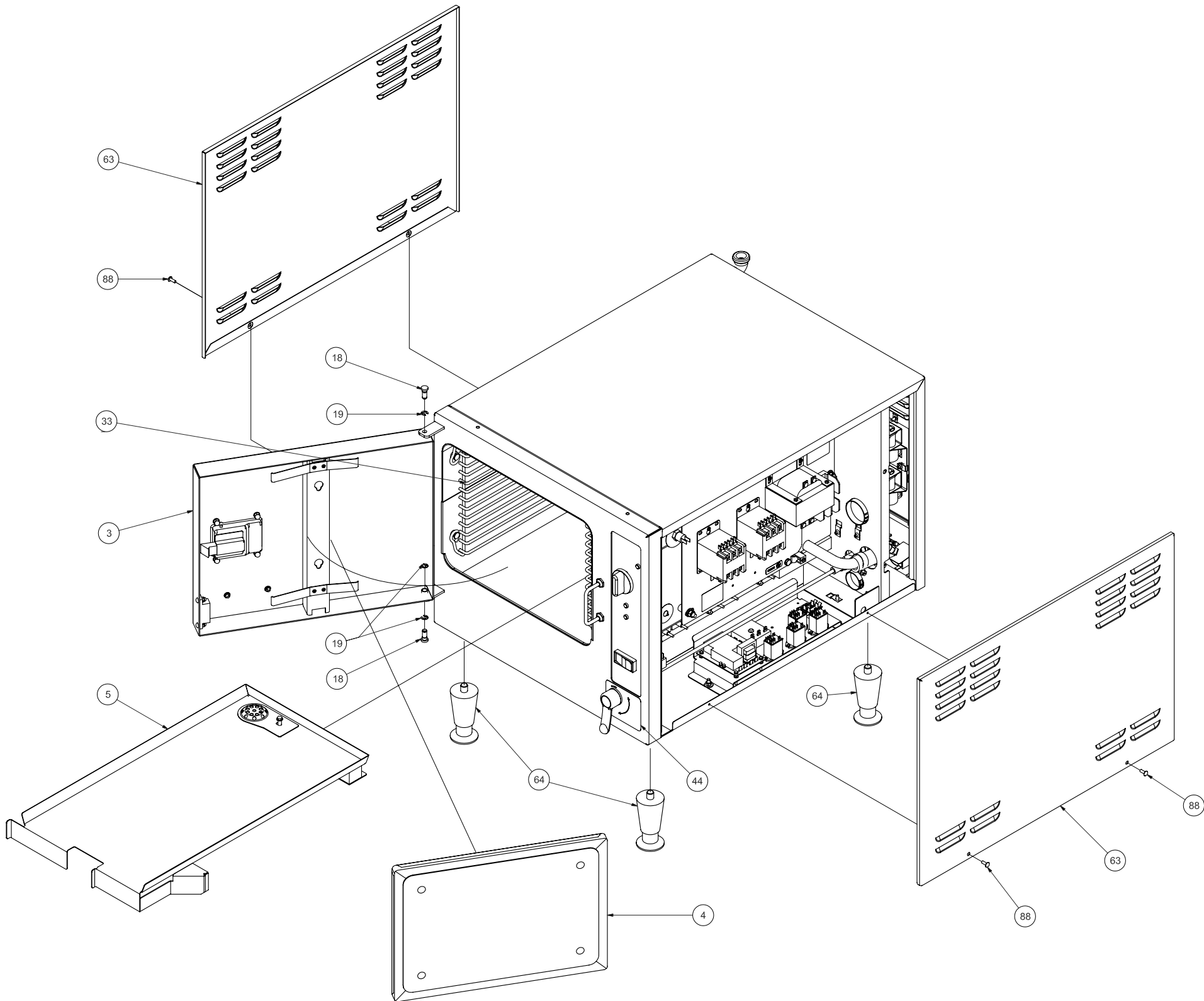


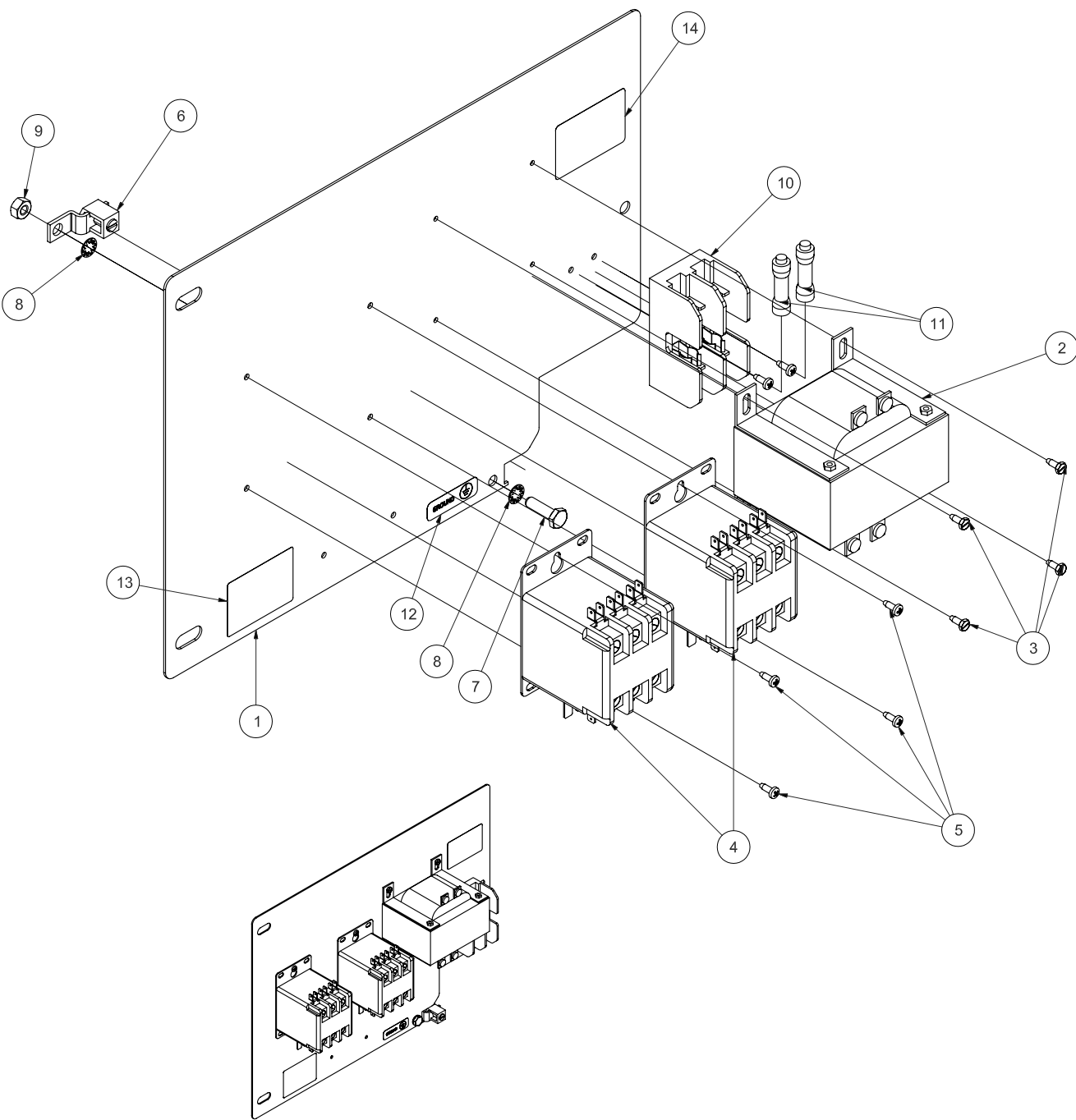
FOR REFERENCE
300331 FOR MECHANICAL TIMER
300348 FOR ELECTRONIC TIMER
300347 FOR ON/OFF



WATER SUPPLY HOSE

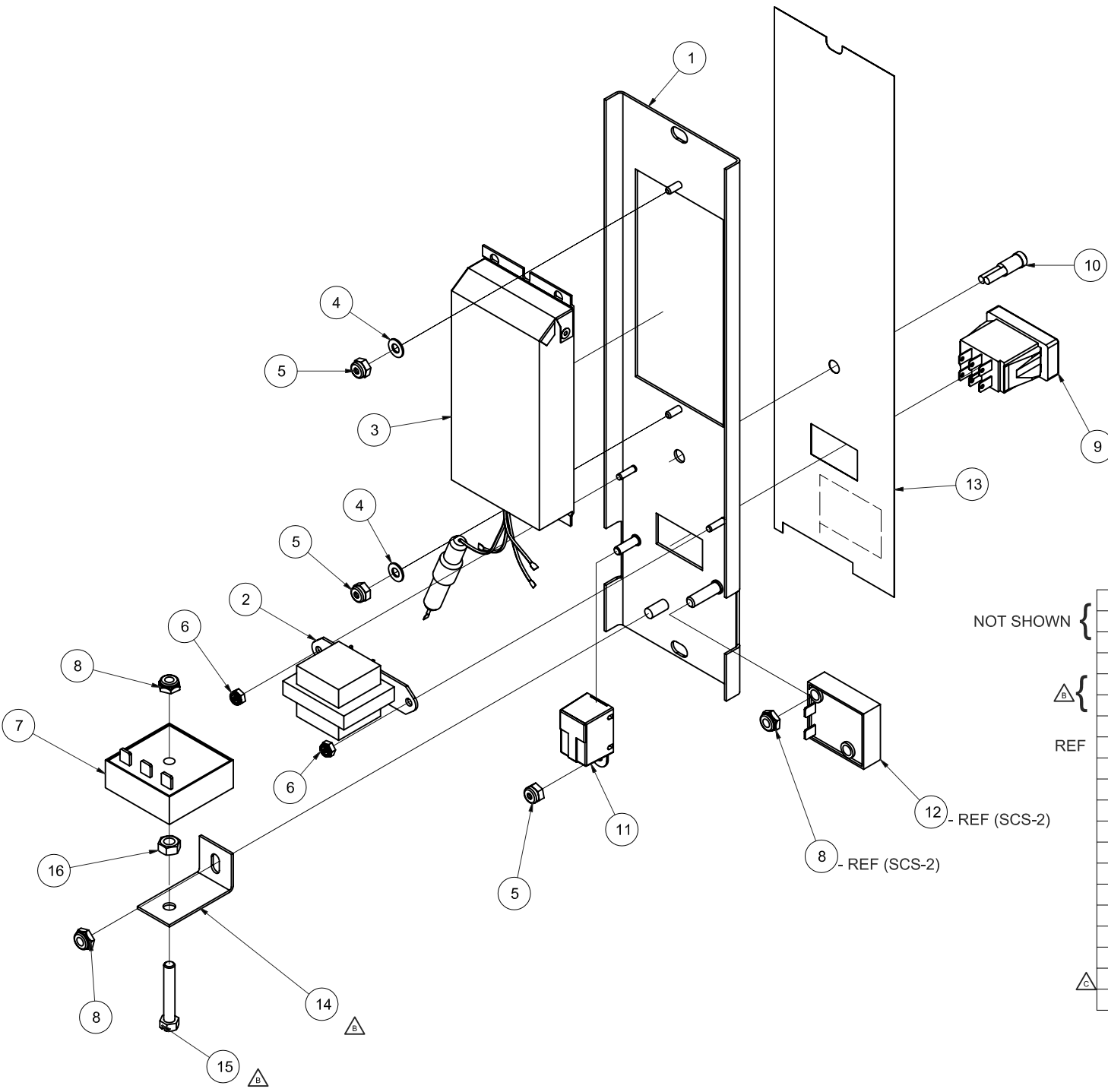
WATER TO CONDENSER HOSE





NOT SHOWN
 NOT SHOWN
 NOT SHOWN

| | | | |
|------|-----|----------|--------------------------------------------|
| 17 | 1 | 20322 | TERMINAL, SLIP-ON, 0.032 X 0.250, 16-14 GA |
| 16 | 1 | 300341 | HARNESS, FUSE BLOCK, HIGH-VOLTAGE |
| 15 | 1 | 300238 | WIRE, ASSY., TRANS. JUMPER |
| 14 | 1 | 109986 | LABEL, FUSE SIZE, 5 AMPS |
| 13 | 1 | 104349 | LABEL, WARNING FIELD CONVERSION |
| 12 | 1 | 14897 | LABEL, GROUND |
| 11 | 2 | 109380 | FUSE, 3.5 AMP |
| 10 | 1 | 109374 | BLOCK, FUSE, 2 POLE, 30 AMP |
| 9 | 1 | 14618 | NUT, HEX, 1/4-20, STAINLESS STEEL |
| 8 | 2 | 23137 | WASHER, LOCK, INTERNAL TOOTH 1/4" SST |
| 7 | 1 | 19288 | SCREW, 1/4-20 X 3/4, HEX, HD, ZINC PLATED |
| 6 | 1 | 12331 | LUG, GROUND, SOLDERLESS |
| 5 | 6 | 106126 | SCREW, 8-32 X 1/2, TORX/SLT.PAN HD |
| 4 | 2 | 03509 | CONTACTOR, 50 AMP, 104-120V |
| 3 | 4 | 106754 | SCREW, 8-32 X 3/8, HEX/SLOT-WASHER HD. |
| 2 | 1 | 300254 | TRANSFORMER, 200VA, 240V/480V PRIMARY |
| 1 | 1 | 112612 | PANEL, COMPONENT, STEAMCHEF |
| ITEM | QTY | PART NO. | DESCRIPTION |



| ITEM | QTY | PART NO. | DESCRIPTION |
|------|-----|----------|----------------------------------------------------|
| 19 | 1 | 20351 | TERMINAL, SLIP-ON, FULL INSUL, .032X .250 TAB |
| 18 | 1 | 300346 | HARNESS, WIRE, ELEC CONTROL PANEL |
| 17 | 1 | 109153 | LABEL, SLIP-IN MODEL NO./SERIAL NO. |
| 16 | 1 | 14617 | NUT, HEX 1/4-20 STEEL OXIDE FINISH |
| 15 | 1 | 19175 | SCREW, HEX HD, NON-SLTD |
| 14 | 1 | 105955 | BRACKET, DUAL TIMER MOUNTING |
| 13 | 1 | 1106681 | LABEL, NCC TIMER, STEAMCHEF |
| 12 | - | 108880 | SWITCH, DOOR STEAM CUTOFF |
| 11 | 1 | 41350 | BUZZER, ASSY, CONTINUOUS DUTY, 120VAC, 50-60HZ |
| 10 | 1 | 12159 | LIGHT, INDICATOR, NEON, RED, 7" MIN LEAD LENGTH |
| 9 | 1 | 104224 | SWITCH, ROCKER DPDT, MATTE |
| 8 | 2 | 101873 | NUT, HEX 1/4-20 THIN LOCK, ZINC PLTD, STEEL |
| 7 | 1 | 300150 | TIMER, SOLID STATE, 60 MINUTE FIXED DELAY |
| 6 | 2 | 104223 | NUT, HEX 6-32 ELASTIC LOCK |
| 5 | 3 | 14692 | NUT, HEX, 10-24, ELASTIC LOCK, ZINC PLTD, FASTENER |
| 4 | 2 | 101655 | WASHER, FLAT, #10, SST |
| 3 | 1 | 104389 | TIMER ASSEMBLY NCC |
| 2 | 1 | 104390 | TRANSFORMER ASSEMBLY |
| 1 | 1 | 1106641 | PANEL, CONTROL, WELDMENT, ETC TIMER, STEAMCHEF, HL |

NOT SHOWN {

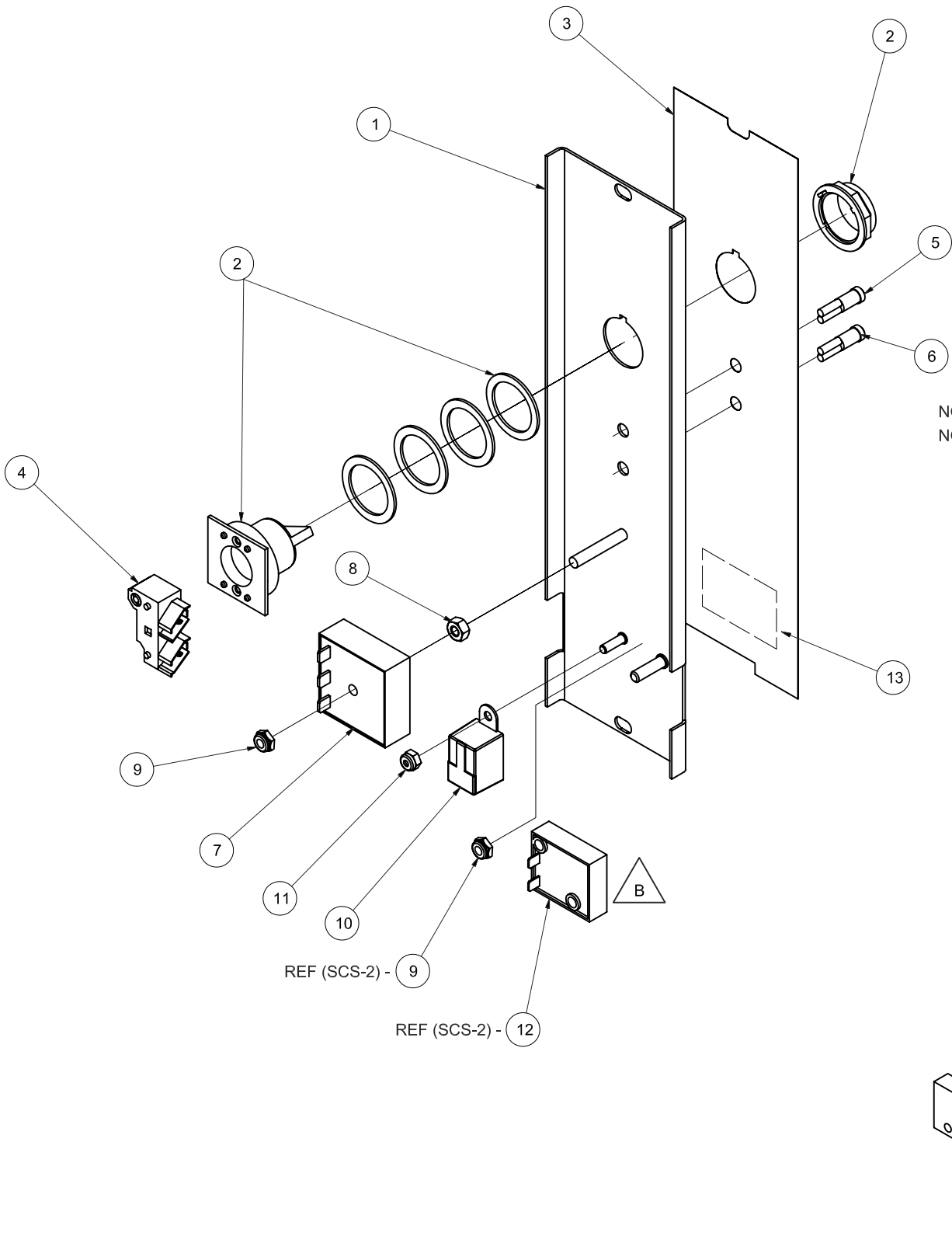
△B {

REF

△C

12 - REF (SCS-2)

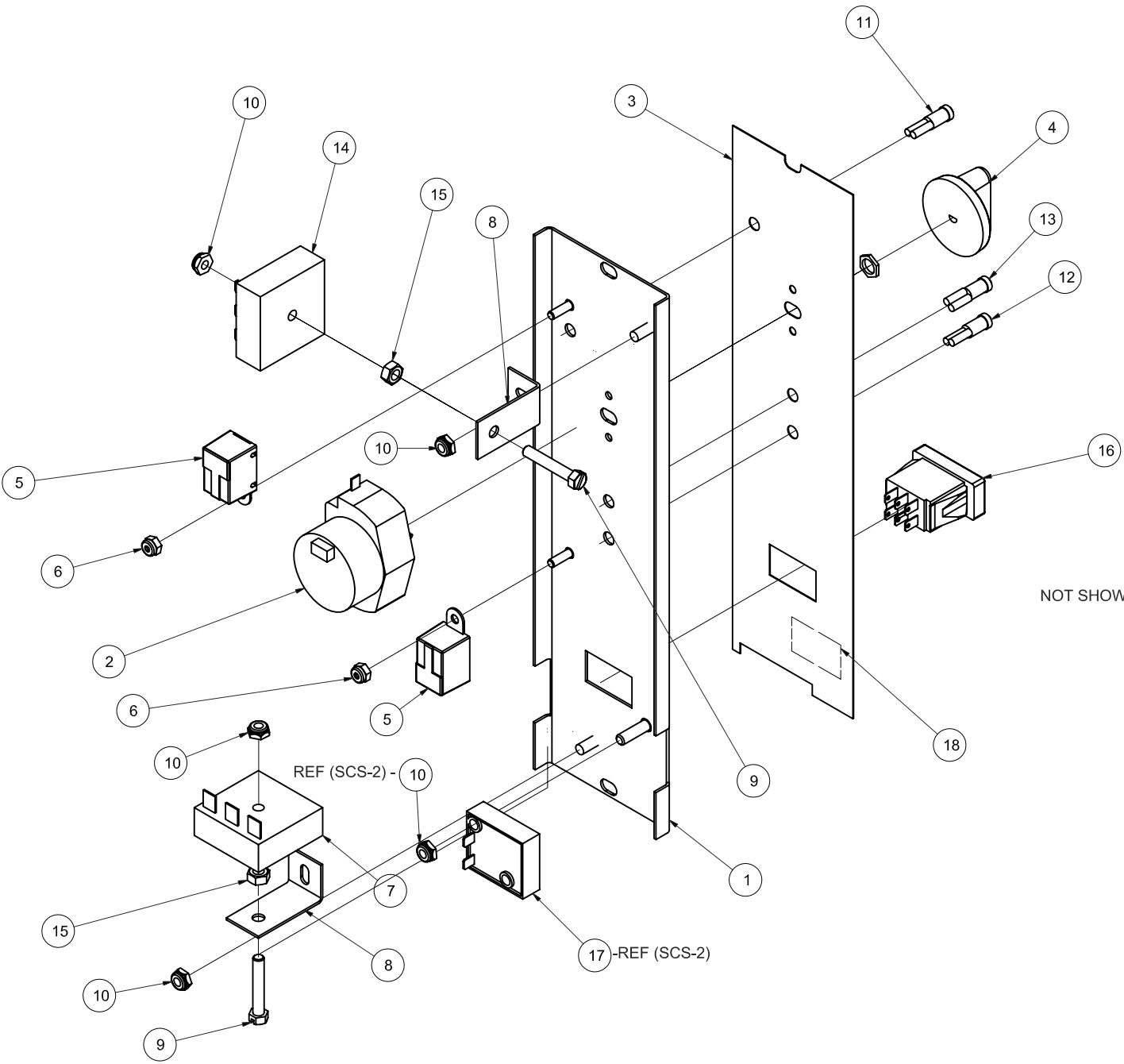
8 - REF (SCS-2)



NOT SHOWN
NOT SHOWN

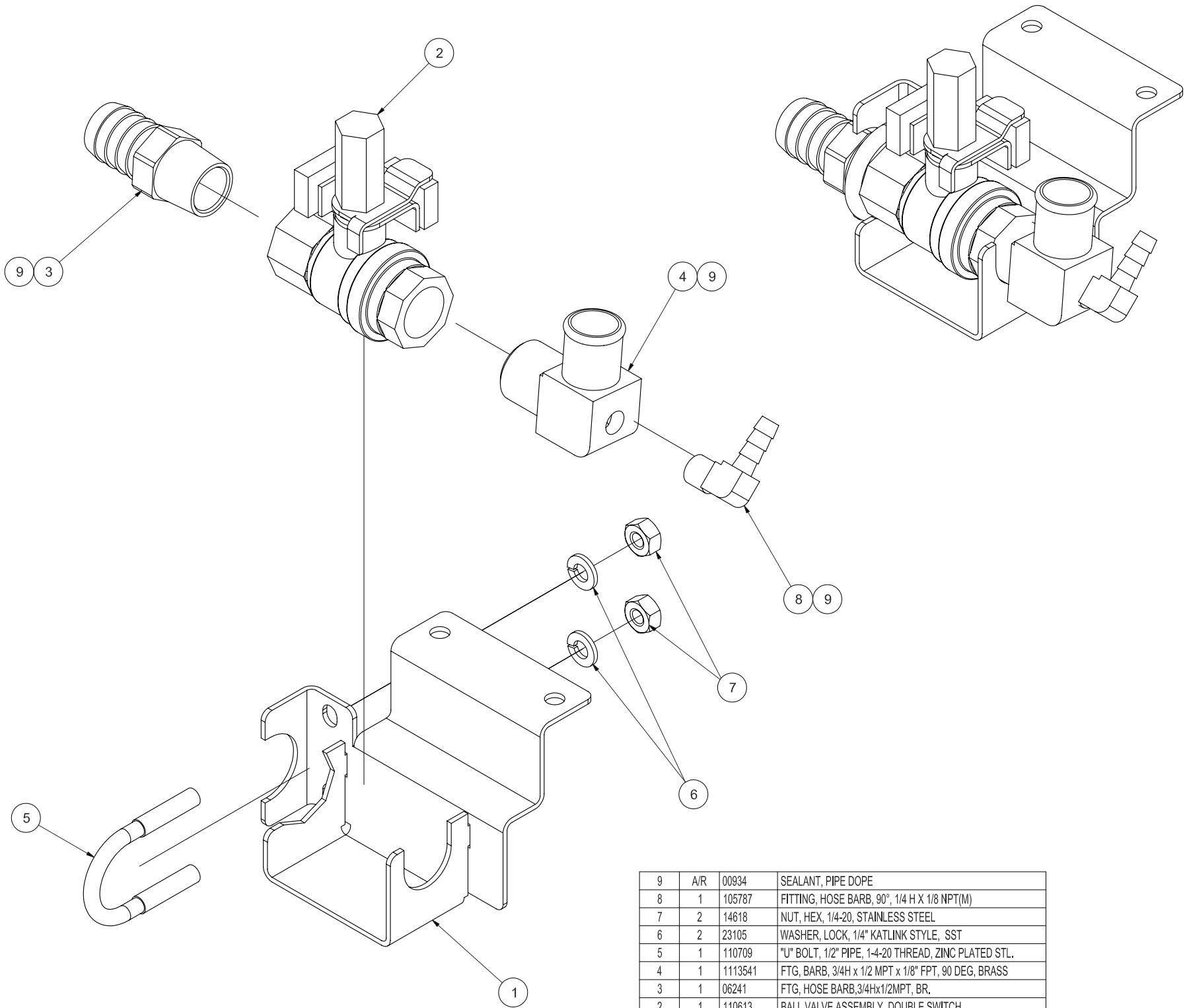
| ITEM | QTY | PART NO. | DESCRIPTION |
|------|-----|----------|----------------------------------------------------|
| 15 | 4 | 20351 | TERMINAL SLIPON FULL-INSUL |
| 14 | 1 | 300345 | HARNES, WIRE CTRL PANEL, ON-OFF |
| 13 | 1 | 109153 | LABEL, SLIP-IN, MODEL NO/SERIAL NO. |
| REF | - | 108880 | SWITCH, DOOR STEAM CUTOFF |
| 11 | 1 | 14692 | NUT, HEX, 10-24, ELASTIC LOCK, ZINC PLTD, FASTENER |
| 10 | 1 | 41350 | BUZZER, ASSY, CONTINUOUS DUTY, 120VAC, 50-60HZ |
| 9 | 1 | 101873 | NUT, HEX 1/4-20 THIN LOCK, ZINC PLTD, STEEL |
| 8 | 1 | 14618 | NUT, HEX, 1/4-20, STAINLESS STEEL |
| 7 | 1 | 300150 | TIMER, SOLID STATE, 60 MINUTE FIXED DELAY |
| 6 | 1 | 12159 | LIGHT, INDICATOR, NEON, RED, 7" MIN LEAD LENGTH |
| 5 | 1 | 109494 | LIGHT, GREEN INDICATOR, NEON, 120V |
| 4 | 1 | 102533 | BLOCK, CONTACT |
| 3 | 1 | 110669 | LABEL, CTRL, ON/OFF, STEAMCHEF |
| 2 | 1 | 102534 | SWITCH, SELECTOR |
| 1 | 1 | 110666 | PANEL, CONTROL, WELDMENT, ON/OFF, STEAMCHEF, HL |

ITEM QTY PART NO. DESCRIPTION

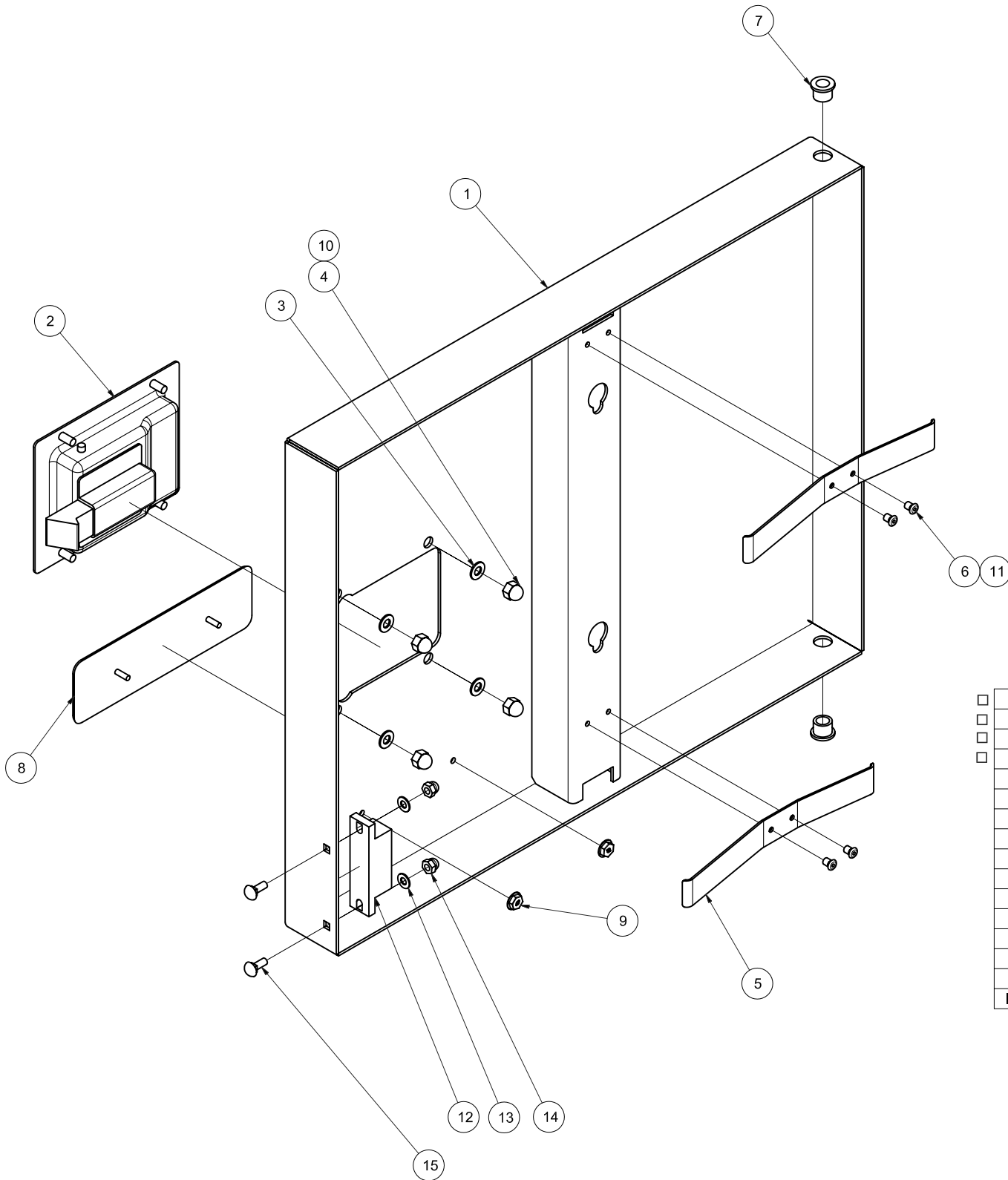


NOT SHOWN {
REF

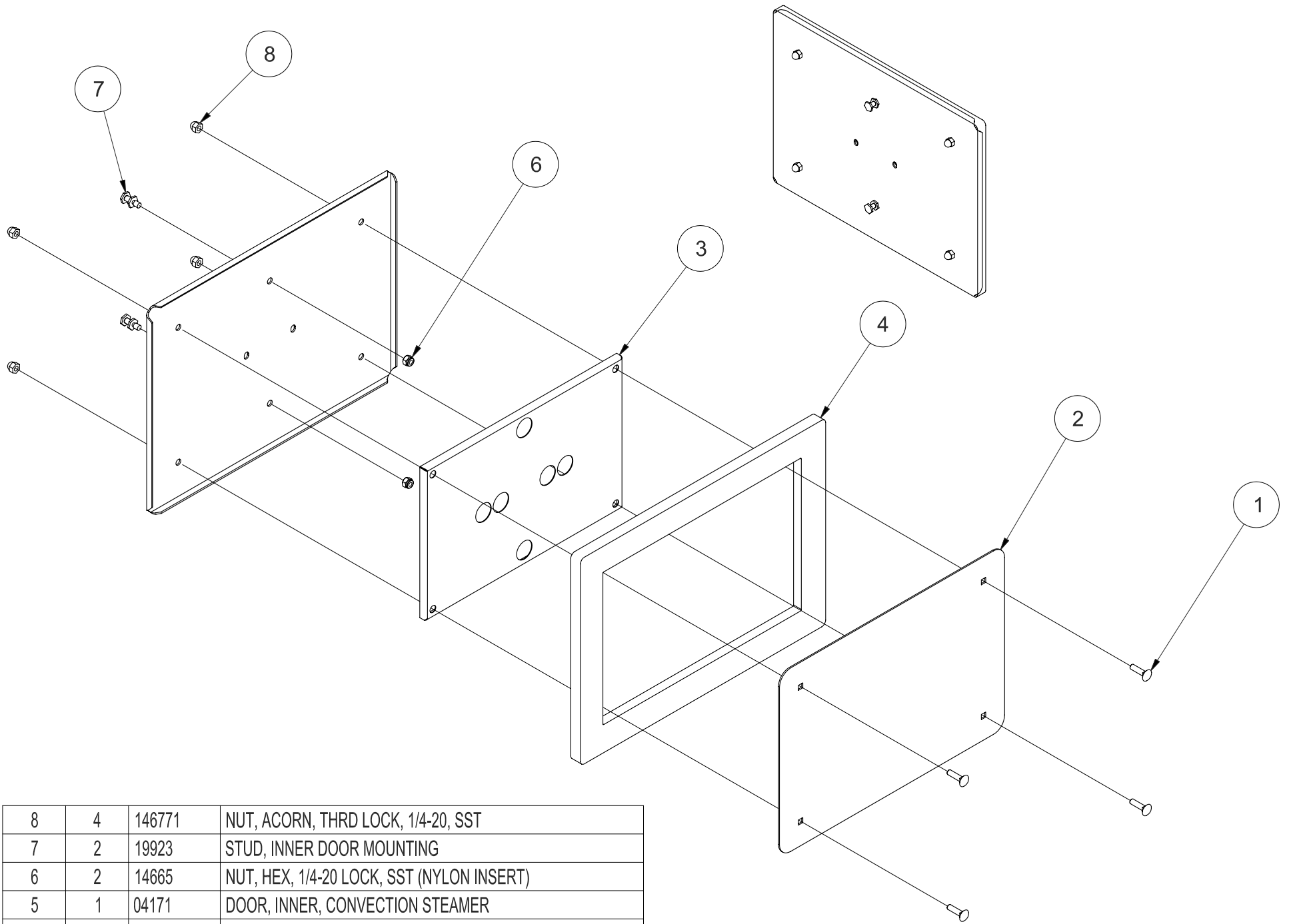
| ITEM | QTY | PART NO. | DESCRIPTION |
|------|-----|----------|-------------------------------------------------------|
| 20 | 8 | 20351 | TERMINAL, SLIPON FULL-INSUL. |
| 19 | 1 | 300333 | HARNESS, MECH TIMER PANEL |
| 18 | 1 | 109153 | LABEL, SLIP-IN, MODEL NO/SERIAL NO. |
| 17 | - | 108880 | SWITCH, DOOR STEAM CUTOFF |
| 16 | 1 | 104224 | SWITCH, ROCKER DPDT, MATTE |
| 15 | 2 | 14617 | NUT, HEX 1/4-20 STEEL OXIDE FINISH |
| 14 | 1 | 300150 | TIMER, SOLID STATE, 60 MINUTE FIXED DELAY |
| 13 | 1 | 109494 | LIGHT, GREEN INDICATOR, NEON, 120V |
| 12 | 1 | 12159 | LIGHT, INDICATOR, NEON, RED, 7" MIN LEAD LENGTH |
| 11 | 1 | 109602 | LIGHT, AMBER INDICATOR, NEON, 120V, 7"MIN LEAD LENGTH |
| 10 | 4 | 101873 | NUT, HEX 1/4-20 THIN LOCK, ZINC PLTD, STEEL |
| 9 | 2 | 19175 | SCREW, HEX HD, NON-SLTD |
| 8 | 2 | 105955 | BRACKET, DUAL TIMER MOUNTING |
| 7 | 1 | 20477 | TIMER, SOLID STATE, 3 SEC DELAY ON BREAK |
| 6 | 2 | 14692 | NUT, HEX, 10-24, ELASTIC LOCK, ZINC PLTD, FASTENER |
| 5 | 2 | 41350 | BUZZER, ASSY, CONTINUOUS DUTY, 120VAC, 50-60HZ |
| 4 | 1 | 110661 | KNOB, EAGLE TIMER |
| 3 | 1 | 110667 | LABEL, CTRL, MECH., STMCHEF |
| 2 | 1 | 110198 | TIMER, MOTOR DRIVEN, 60 MIN. 115V 60HZ |
| 1 | 1 | 111451 | PANEL, CONTROL, WELDMENT, MECH. TIMER, STEAMCHEF, HL |



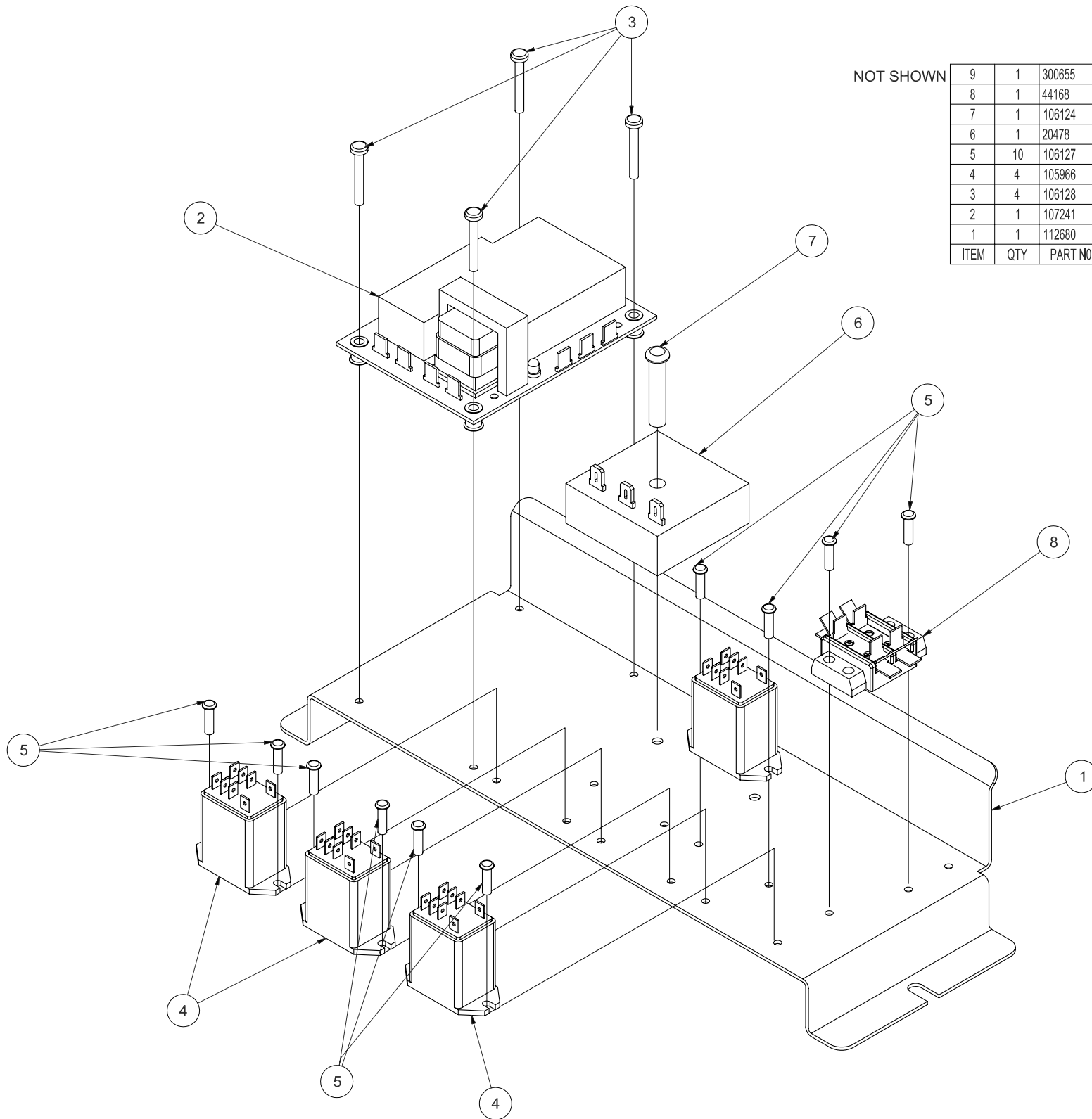
| | | | |
|------|-----|----------|------------------------------------------------------|
| 9 | A/R | 00934 | SEALANT, PIPE DOPE |
| 8 | 1 | 105787 | FITTING, HOSE BARB, 90°, 1/4 H X 1/8 NPT(M) |
| 7 | 2 | 14618 | NUT, HEX, 1/4-20, STAINLESS STEEL |
| 6 | 2 | 23105 | WASHER, LOCK, 1/4" KATLINK STYLE, SST |
| 5 | 1 | 110709 | "U" BOLT, 1/2" PIPE, 1-4-20 THREAD, ZINC PLATED STL. |
| 4 | 1 | 1113541 | FTG, BARB, 3/4H x 1/2 MPT x 1/8" FPT, 90 DEG, BRASS |
| 3 | 1 | 06241 | FTG, HOSE BARB, 3/4Hx1/2MPT, BR. |
| 2 | 1 | 110613 | BALL VALVE ASSEMBLY, DOUBLE SWITCH |
| 1 | 1 | 112257 | BRACKET, VALVE, STEAMCHEF 3.1/6.1, HL |
| ITEM | QTY | PART NO. | DESCRIPTION |



| ITEM | QTY | PART NO. | DESCRIPTION |
|------|-----|----------|------------------------------------------------------|
| 15 | - | 111592 | SCREW, 8-32 X 1/2 CARRIAGE HEAD, SST |
| 14 | - | 109164 | NUT, HEX, ACORN, 8-32, SST, W/ THREAD LOC |
| 13 | - | 101336 | WASHER, FLAT, #8, SST |
| 12 | - | 108879 | MAGNET, DOOR STEAM CUTOFF |
| 11 | A/R | 00933 | SEALANT, RTV, CLEAR |
| 10 | A/R | 104146 | LOCKTITE #222 LOW STRENGTH |
| 9 | 2 | 104987 | NUT, WASHER STYLE, THD GC FOR 1/8 DIA STUD |
| 8 | 1 | 105901 | LABEL, NAMEPLATE, CLEVELAND, CAST |
| 7 | 2 | 103641 | BUSHING, DOOR HINGE |
| 6 | 4 | 18357 | RIVET, FLUSH BREAK, 0.125 DIA, 0.126/0.187 GRIP, SST |
| 5 | 2 | 102228 | SPRING, DOOR, 3/5 PAN |
| 4 | 4 | 14679 | NUT, #10-24 ACORN, SST |
| 3 | 4 | 101655 | WASHER, FLAT, #10, SST |
| 2 | 1 | 103643 | LATCH, DOOR-PADDLE TYPE |
| 1 | 1 | 110485 | OUTER DOOR, STEAMCHEF 3 WELDMENT - HINGED LEFT |



| 8 | 4 | 146771 | NUT, ACORN, THRD LOCK, 1/4-20, SST |
|------|-----|----------|-------------------------------------------|
| 7 | 2 | 19923 | STUD, INNER DOOR MOUNTING |
| 6 | 2 | 14665 | NUT, HEX, 1/4-20 LOCK, SST (NYLON INSERT) |
| 5 | 1 | 04171 | DOOR, INNER, CONVECTION STEAMER |
| 4 | 1 | 07138 | GASKET, DOOR, CONV. STMR., SC |
| 3 | 1 | 66214 | PLATE, INNER DOOR GASKET |
| 2 | 1 | 66595 | PLATE, GASKET RETAINER |
| 1 | 4 | 104719 | SCREW, CARRIAGE, 1/4-20X1, SST |
| ITEM | QTY | PART NO. | DESCRIPTION |



NOT SHOWN

| 9 | 1 | 300655 | HARNESS, COMPONENT PANEL |
|------|-----|----------|------------------------------------------|
| 8 | 1 | 44168 | TERMINAL, BLOCK ASM, 2 POLE |
| 7 | 1 | 106124 | SCREW, TORX/SLOT #10-32 X 1-1/4 LG |
| 6 | 1 | 20478 | TIMER, SOLID STATE INTERV 3 MINUTE |
| 5 | 10 | 106127 | SCREW, 6-32 X 1/2, TORX/PAN HD |
| 4 | 4 | 105966 | RELAY, DPDT-W/MTG TABS |
| 3 | 4 | 106128 | SCREW, 6-32 X 1 TORX/PAN HD |
| 2 | 1 | 107241 | BOARD, WATER LEVEL CONTROL |
| 1 | 1 | 112680 | PLATE, COMPONENT MOUNTING, STEAMCHEF, HL |
| ITEM | QTY | PART NO. | DESCRIPTION |

3.1 / 6.1 EnergyStar SteamChef's

TIMER OPT.

MECHANICAL

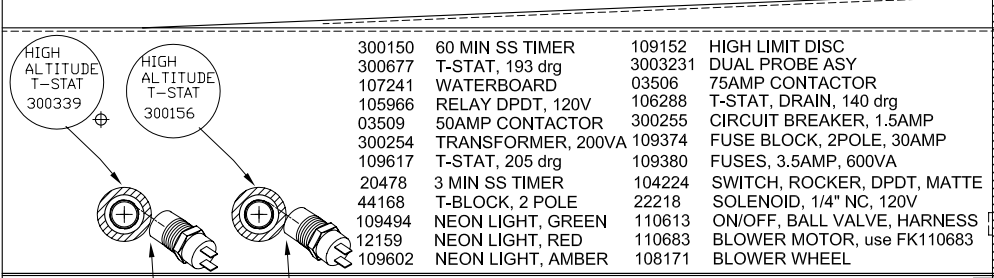
- 110198 MOTOR TIMER
- 110199 KNOB
- 20477 3 SEC SS TIMER
- 41350 BUZZER

ELECTRONIC

- 104389 NCC TIMER
- 104390 24V TRANSF
- 106909 FUSE, 2AMP

ON / OFF

- 102534 SWT, SELECTOR
- 102533 CONTACT BLOCK
- 41350 BUZZER



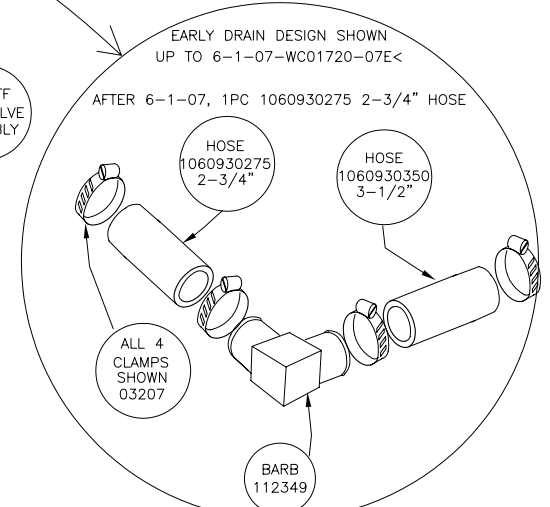
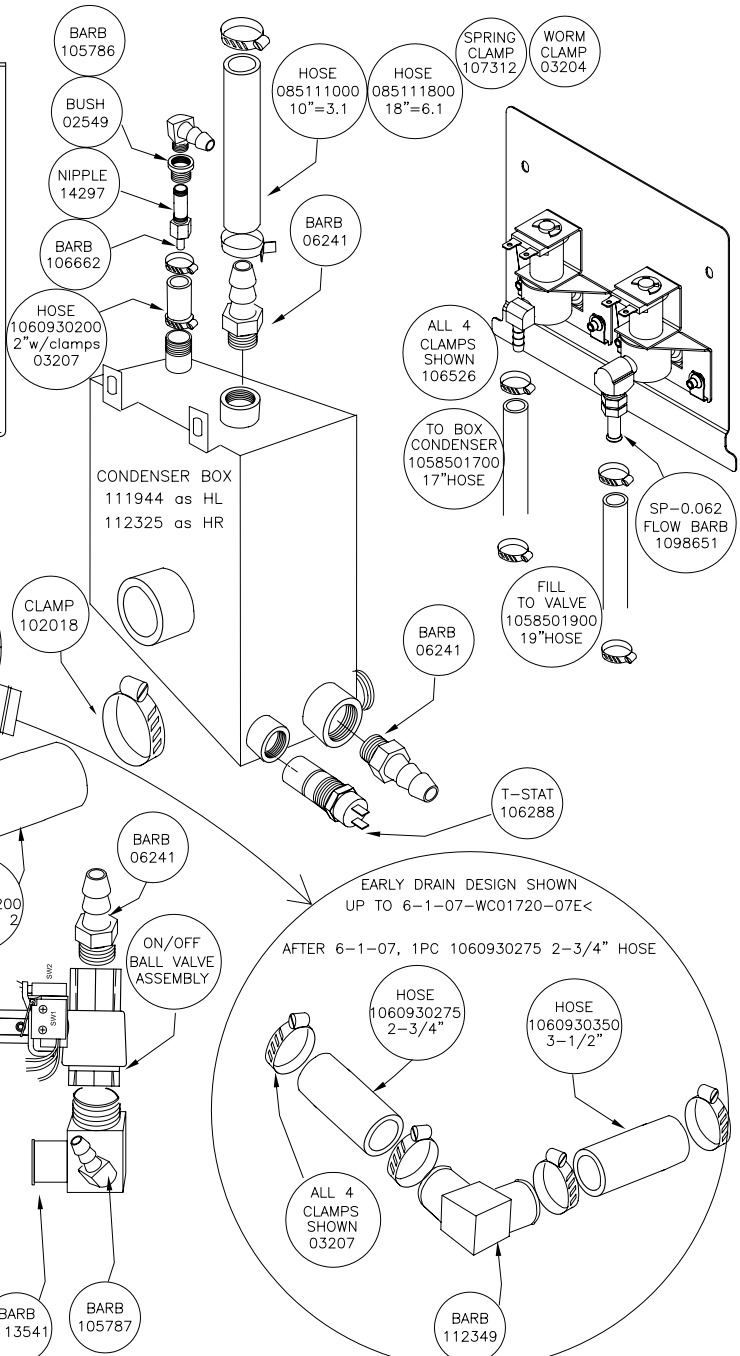
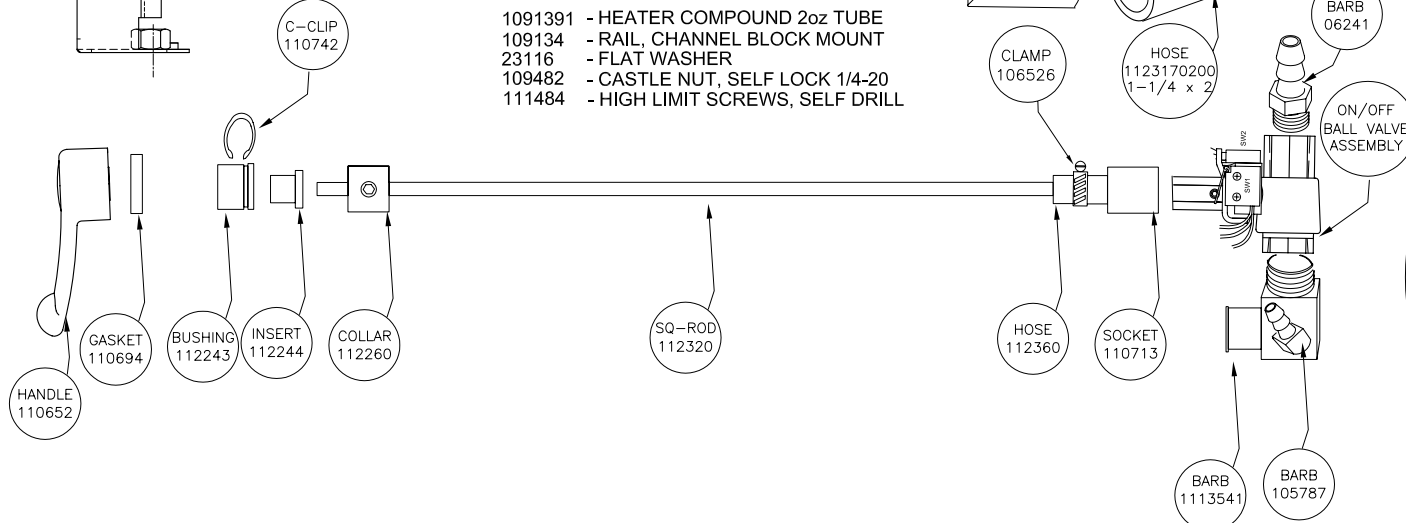
HEAT BLOCKS

| VOLT | PART No. | Description |
|-------------------|----------------------|------------------------------|
| 208 | 300186 - 3KW | - 2 WIRE, CAST BLOCK |
| 240 | 3001861 - 3KW | - 2 WIRE, CAST BLOCK |
| 480 | 3001862 - 3KW | - 2 WIRE, CAST BLOCK |
| 208 | 300185 - 2KW | - 2 WIRE, CAST BLOCK |
| 240 | 3001851 - 2KW | - 2 WIRE, CAST BLOCK |
| 480 | 3001852 - 2KW | - 2 WIRE, CAST BLOCK |
| 6.1 ONLY (13.5KW) | 240 3003301 - 4.5KW | - 2 WIRE, CAST BLOCK |
| 6.1 ONLY (13.5KW) | 480 300330 - 4.5KW | - 2 WIRE, CAST BLOCK |
| 208VOLT | 6.1 ONLY (13.5KW) | - 109123 DRILLED BLOCK |
| 208VOLT | 300242 -1500watt ea. | - ROD HEATER (3ea per block) |

DOOR PARTS

- 103643 HANDLE / LATCH
- 07138 3-DOOR GASKET
- 110830 6-DOOR GASKET
- 108880 DOOR SWITCH
- 108879 DOOR MAGNET
- 111592 CARRIAGE BOLT
- 109164 ACORN NUT SM

- 1091391 - HEATER COMPOUND 2oz TUBE
- 109134 - RAIL, CHANNEL BLOCK MOUNT
- 23116 - FLAT WASHER
- 109482 - CASTLE NUT, SELF LOCK 1/4-20
- 111484 - HIGH LIMIT SCREWS, SELF DRILL



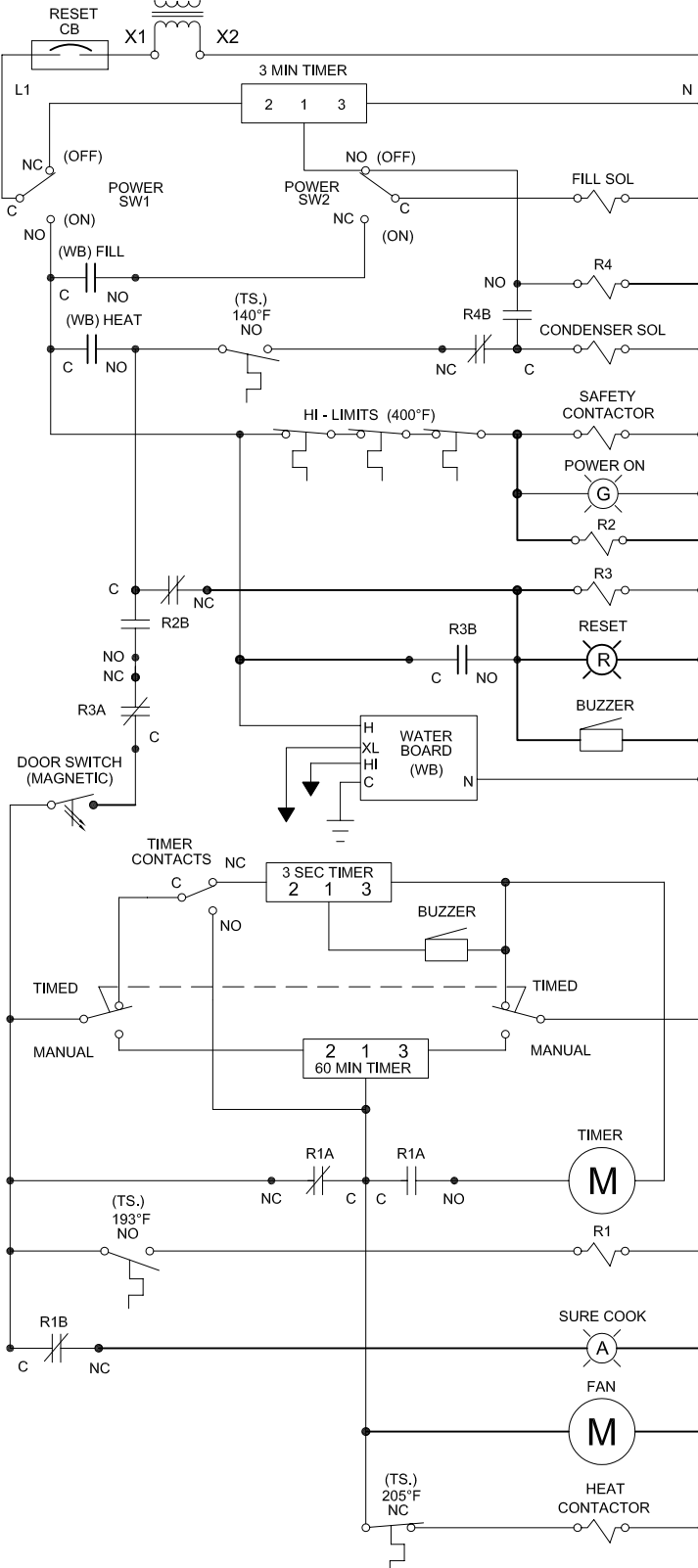
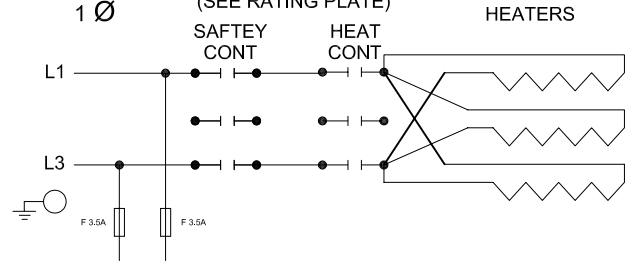
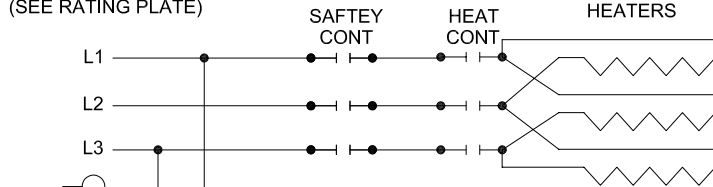
208/240/480V
CUSTOMER
CONNECTION

STEAMCHEF 3.1/6.1 MECH TIMER (THREE PHASE)

208/240/480V
CUSTOMER
CONNECTION

3 Ø
(SEE RATING PLATE)

(SEE RATING PLATE)



ITEM PART No.

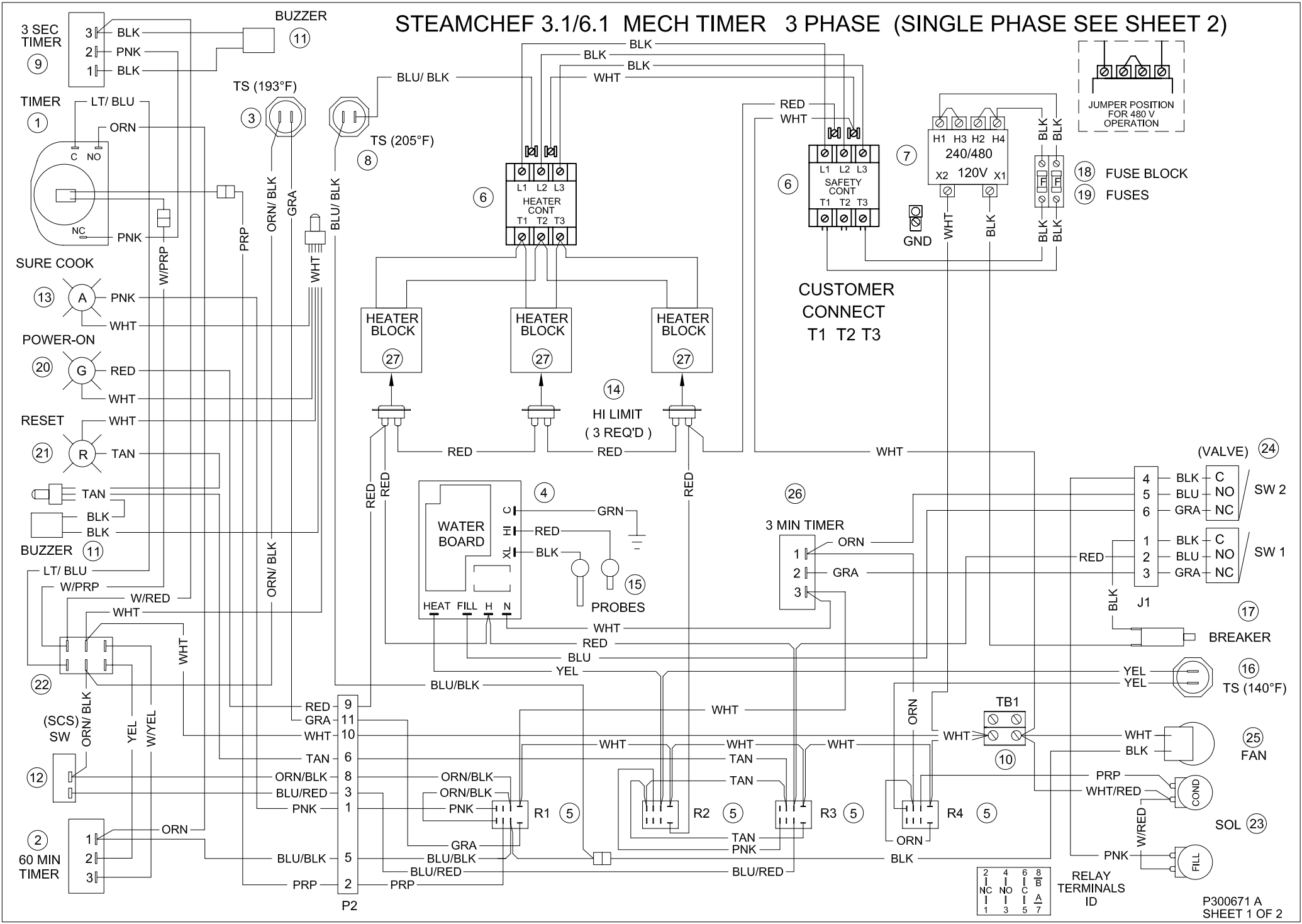
HEAT BLOCKS

- 1 110198
- 2 300150
- 3 19972
- 4 107241
- 5 105966
- 6 03509
- 7 300254
- 8 109617
- 9 20477
- 10 44168
- 11 41350
- 12 108880
- 13 109602
- 14 109152
- 15 3003231
- 16 106288
- 17 300255
- 18 109374
- 19 109380
- 20 109494
- 21 12159
- 22 104224
- 23 22218
- 24 110613
- 25 110683
- 26 20478

| ITEM | V | PART No. |
|-------------------|-----|-----------------|
| 27 | 208 | 300186 - 3KW |
| | 240 | 3001861 - 3KW |
| | 480 | 3001862 - 3KW |
| | 208 | 300185 - 2KW |
| | 240 | 3001851 - 2KW |
| | 480 | 3001852 - 2KW |
| 6.1 ONLY (13.5KW) | | |
| | 240 | 3003301 - 4.5KW |
| | 480 | 300330 - 4.5KW |

3.5A 600V

STEAMCHEF 3.1/6.1 MECH TIMER 3 PHASE (SINGLE PHASE SEE SHEET 2)



JUMPER POSITION FOR 480 V OPERATION

(18) FUSE BLOCK
(19) FUSES

CUSTOMER CONNECT
T1 T2 T3

(VALVE) (24)

4 BLK C / SW 2
5 BLU NO
6 GRA NC
1 BLK C / SW 1
2 BLU NO
3 GRA NC

J1
BREAKER (17)

YEL YEL (16)
TS (140°F)

WHT WHT (25)
FAN

PRP WHT/RED
COND (23)
SOL

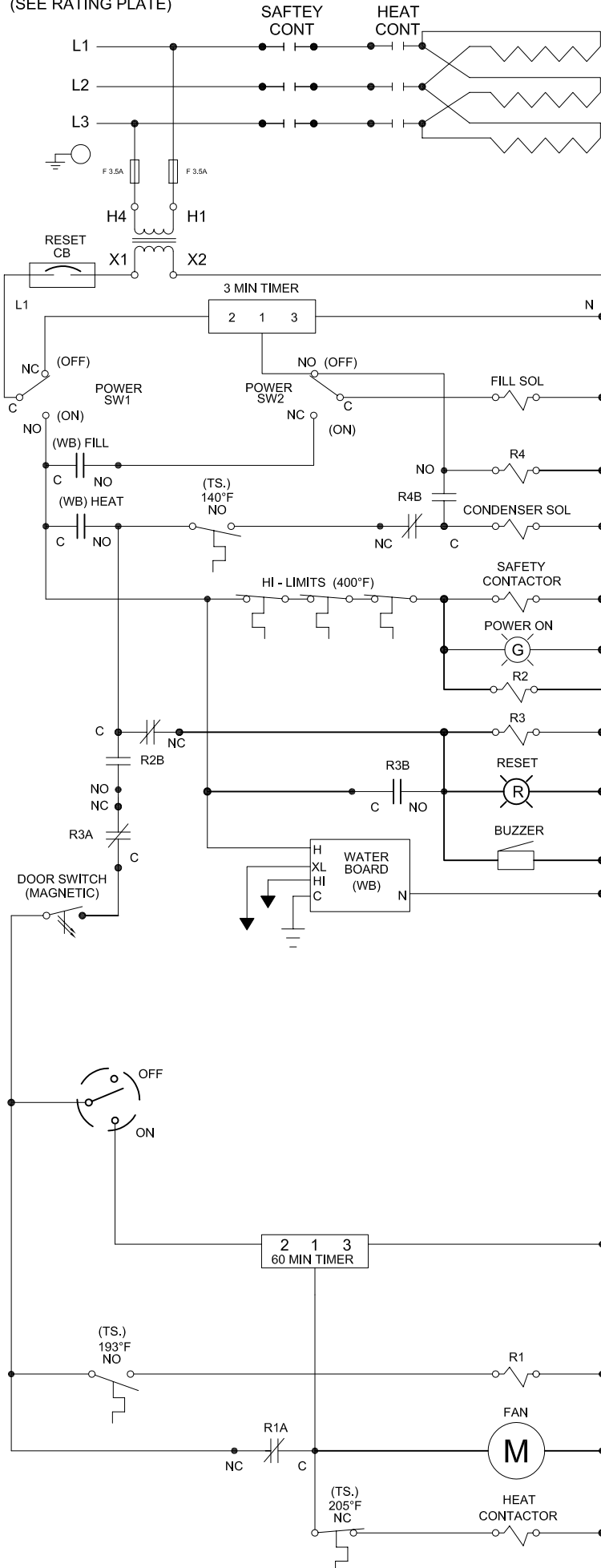
PNK W/RED
FILL (25)
SOL (23)

| RELAY TERMINALS | ID |
|-----------------|----|
| 2 NC | 1 |
| 4 NO | 3 |
| 6 C | 5 |
| 8 B | 7 |

240/480V
CUSTOMER
CONNECTION

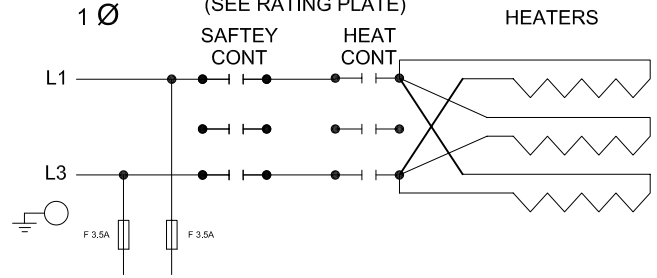
STEAMCHEF 3.1 / 6.1 ON/OFF CONTROL

3 Ø
(SEE RATING PLATE)

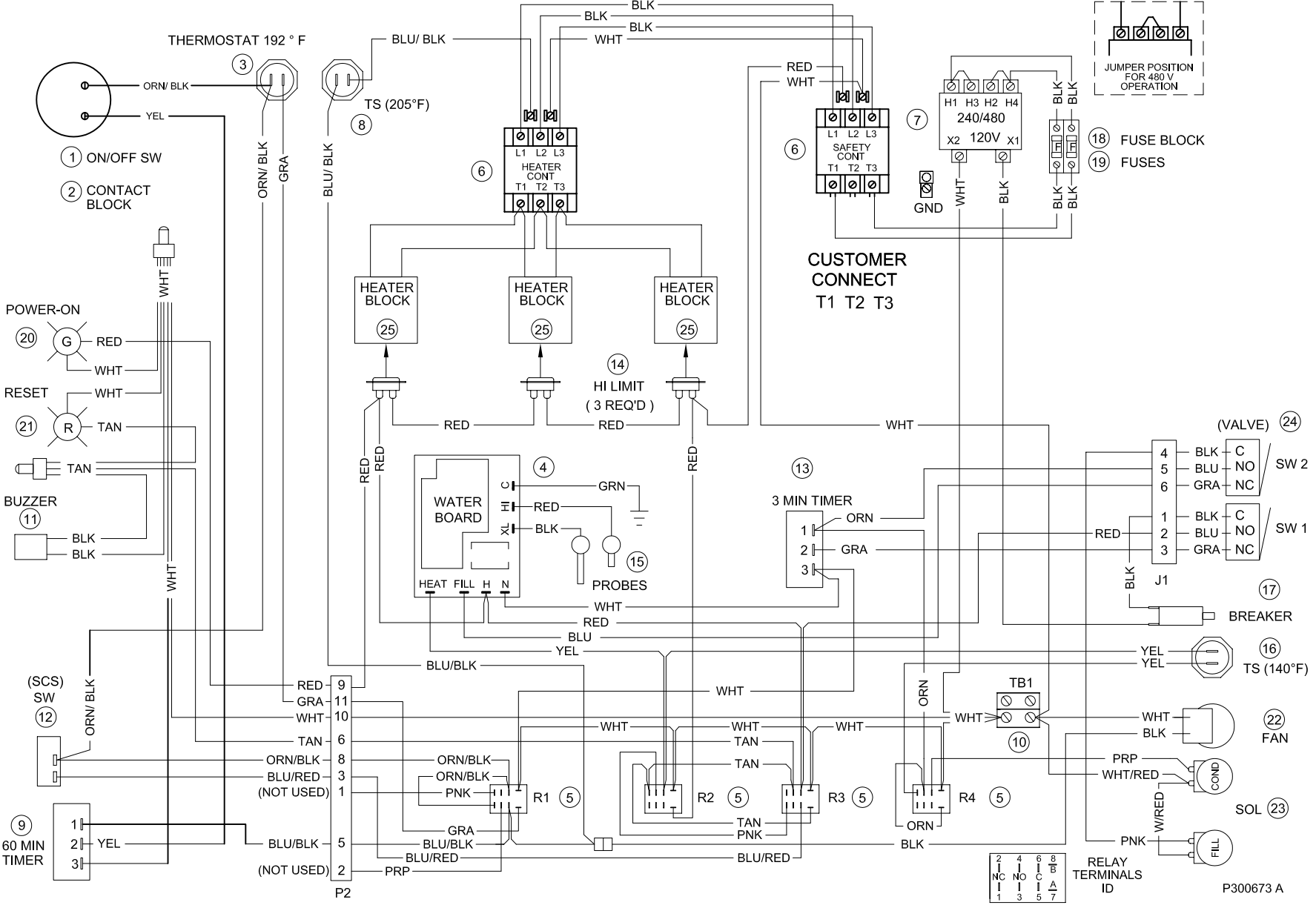


208/240/480V
CUSTOMER
CONNECTION

(SEE RATING PLATE)



STEAMCHEF 3.1/ 6.1 ON / OFF CONTROL (THREE PHASE)



ITEM PART No.

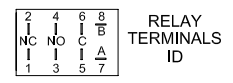
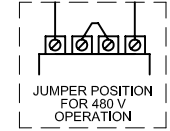
- 1 102534
- 2 102533
- 3 19972
- 4 107241
- 5 105966
- 6 03509
- 7 300254
- 8 109617
- 9 300150
- 10 44168
- 11 41350
- 12 108880
- 13 20478
- 14 109152
- 15 3003231
- 16 106288
- 17 300255
- 18 109374
- 19 109380 3.5A 600V
- 20 109494
- 21 12159
- 22 110683
- 23 22218
- 24 110613

HEAT BLOCKS

- | ITEM | V | PART No. |
|------|-----|---------------|
| 25 | 208 | 300186 - 3KW |
| | 240 | 3001861 - 3KW |
| | 480 | 3001862 - 3KW |
| | 208 | 300185 - 2KW |
| | 240 | 3001851 - 2KW |
| | 480 | 3001852 - 2KW |

6.1 ONLY (13.5KW)

- 240 3003301 - 4.5KW
- 480 300330 - 4.5KW



P300673 A