

# Parts Manual

## Floor Type Gas Convection Steamer



### Series: Classic Gas Boiler Base Steamer

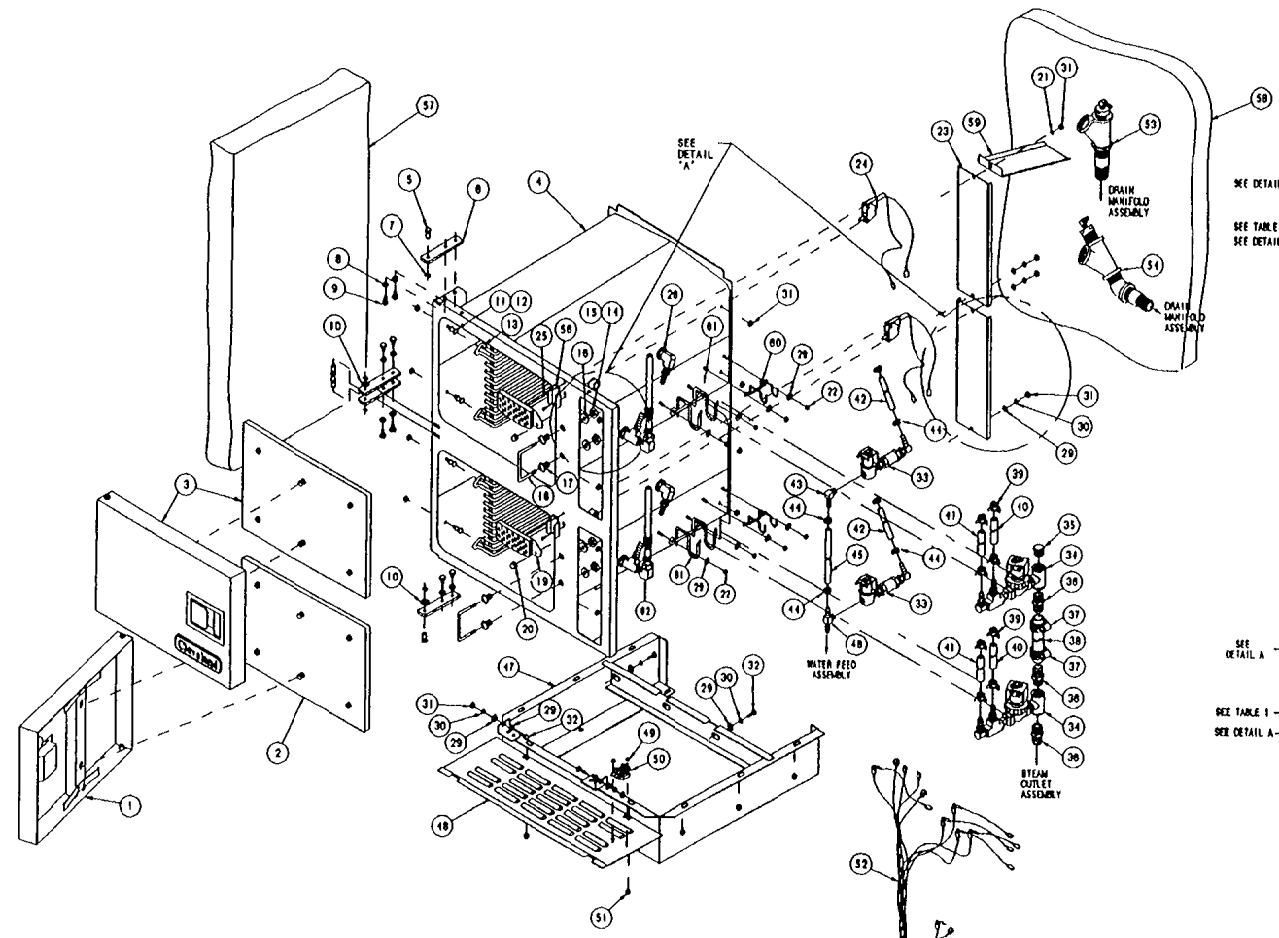
1333 East 179<sup>th</sup> Street  
Cleveland, Ohio 44110

Phone: (216) 481-4900  
1-800-338-2204

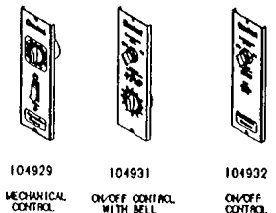
Fax: (216) 481-3782  
[www.clevelandrange.com](http://www.clevelandrange.com)

 Cleveland

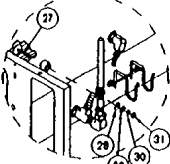
LET.	REVISIONS	DATE	BY
A	SEE E.O. 4C-2587	03-01-94	PJD
	SEE E.O. 4C-2579	05-24-94	
B	SEE E.O. 4C-2579 R1	07-22-94	PJD
C	SEE E.O. 4C-2579 R2	07-29-94	OLD
D	SEE E.O. 4C-2785	12-06-94	PJD



LET.	QTY.	PART NO.	DESCRIPTION
△	82	2	107019 BREATHER/SPRAY NOZZLE ASSY. 1/2"Ø 1"
△	61	2	106722 BRACKET, VALVE SUPPORT ASSY.
△	60	2	106159 BRACKET ASSY. WATER, VALVE SUPPORT
△	59	1	106733 SHIELD, MOISTURE
△	58	1	104128 INSULATION, CONVECTION BODY REAR
△	57	1	104125 INSULATION, CONVECTION BODY WRAP
△	55	2	105442 GUARD, SWITCH PROTECTION
△	54	1	1064731 SWITCH, THERMAL
△	53	1	106473 DRAIN, LOWER COMP., CONNECTION
△	52	1	106473 DRAIN, UPPER COMP., CONNECTION
△	51	8	14879 NUT, ACONR 10-24 8/S
△	50	1	44168 TERMINAL BLOCK ASSY. 2 POLE
△	49	1	104293 NUT, HEX 8-32 ELASTIC LOCK
△	48	1	102589 PANEL, FRONT FILLER
△	47	1	40749 PEDESTAL, WELDMENT HINGE LEFT
△	46	1	106841 FITTING, HOSE 1/4" H X 1/4" H X 1/4" MP
△	45	1	1058501300 HOSE, NY-80 1/2" X 1/2" X 13" LG
△	44	8	106528 CLAMP, HOSE, METAL 3/16 X 3/16 DIA
△	43	1	105788 FITTING, HOSE 1/4" H X 1/4" H X 1/4" MP
△	42	2	105850100 HOSE, NY-80 1/4" X 1/2" X 10" LG
△	41	2	1052730500 HOSE, SILICONE 3/8" X 5/8" X 3" LG
△	40	2	1052730600 HOSE, SILICONE 3/8" X 5/8" X 9" LG
△	39	8	107099 CLAMP, METAL TENSION BAND (3/8")
△	38	1	08511100 HOSE, SILBRIDE 3/4" X 1" X 11 LG
△	37	2	03207 CLAMP, HOSE, LINED, MAX OD 1.125"
△	36	3	08241 FITTING, HOSE BARB 3/4" H X 1/2" MP
△	35	1	106096 PLUG 1/2", BRASS
△	34	2	106830 STEAM, INLET ASSEMBLY
△	33	2	106831 WATER VALVE ASSY. NEW CONV. STMR.
△	32	4	19288 SCREW, HEX HEAD 1/4-20 X 3/4
△	31	24	14818 NUT, HEX 1/4-20 S/S
△	30	9	23105 WASHER, LOCK 1/4" S/S
△	29	19	23110 WASHER, FLAT 1/4" X 5/8 X .065
△	28	2	23138 WASHER, FLAT 3/8 X 7/8 X 1/16
△	27	2	104409 CLOSURE, THERMAL OPENING
△	26	2	106230 STEAM SUPPLY ASSEMBLY, CONVECTION
△	25	1	105449 SCREW, TRUSS HEAD 8-32 X .312, S/S
△	24	1	104199 SWITCH ASSY., CHET, STEAM SHUT-OFF
△	23	1	104199 SWITCH ASSY., CHET, STEAM SHUT-OFF
△	22	8	14892 NUT, ELASTIC LOCK 810-2"
△	21	1	23137 WASHER 1/4" INTERNAL TOOTH
△	20	2	148771 NUT, ACONR 1/4-20
△	19	2	89298 SCREEN, COMPARTMENT DRAIN
△	18	2	104048 CATCH, DOOR
△	17	4	14895 NUT, DOOR CATCH MOUNTING 8/S
△	16	4	23149 WASHER, NYLON, TYPE 8-8
△	15	A/R	01205 ADHESIVE, LOCKITE #290
△	14	4	14849 NUT, HEX 1/2-13 ZINC PLATED
△	13	4	41423 RACK, PAN SLIDE 20"
△	12	A/R	00932 SEALANT, RTV
△	11	16	101305 PIN, RACK
△	10	2	102513 WASHER, FLAT 5/16 X 3/4 X .080 S/S
△	9	8	02312 BOLT, HEX HEAD 5/16-24 X 1/2" S/S
△	8	8	23106 WASHER, LOCK MED. PATTERN 5/16 S/S
△	7	4	104062 RING, SNAP S/S
△	6	4	104076 HINGE, DOOR
△	5	4	104077 RIB, HINGE
△	4	1	104891 CONVECTION BODY WELDMENT IN.
△	3	1	1085751 DOOR ASSY., H.L. W/LOGO W/ACTUATOR
△	2	1	108575 DOOR ASSY., H.L. W/LOGO
△	1	1	10410 DOOR, INNER ASSEMBLY
△	1	1	103531 DOOR, OUTER ASSY., H.L. W/ACTUATOR
△	1	1	103537 DOOR, OUTER ASSEMBLY, H.L.



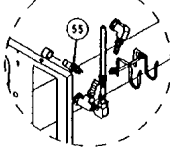
104929 MECHANICAL CONTROL  
104931 ON/OFF CONTROL WITH BELL  
104932 ON/OFF CONTROL



104930 THERMAL SWITCH CLOSURE (MECHANICAL & ON/OFF)



104930 THERMAL SWITCH (ELECTRONIC OPTION)



ITEM 59 (MOISTURE SHIELD) ELECTRONIC OPTION ONLY

TABLE '1'  
STEAM SHUT-OFF OPTION

ITEM NO.	QTY.	PART NO.	DESCRIPTION
105442	GUARD	58	2
105449	SCREW	25	4
104199	SWITCH	24	2
1063751	DOOR	3	1
1031971	DOOR	1	1

PRODUCTION

THIS DESIGN DESCRIBES A PROPRIETARY ITEM AND IS THE PROPERTY OF CLEVELAND RANGE. THIS DRAWING IS NOT TO BE COPIED OR USED WITHOUT THE APPROVAL OF CLEVELAND RANGE.

TIMER OPTIONS - DETAIL A

ITEM 59 (MOISTURE SHIELD) ELECTRONIC OPTION ONLY

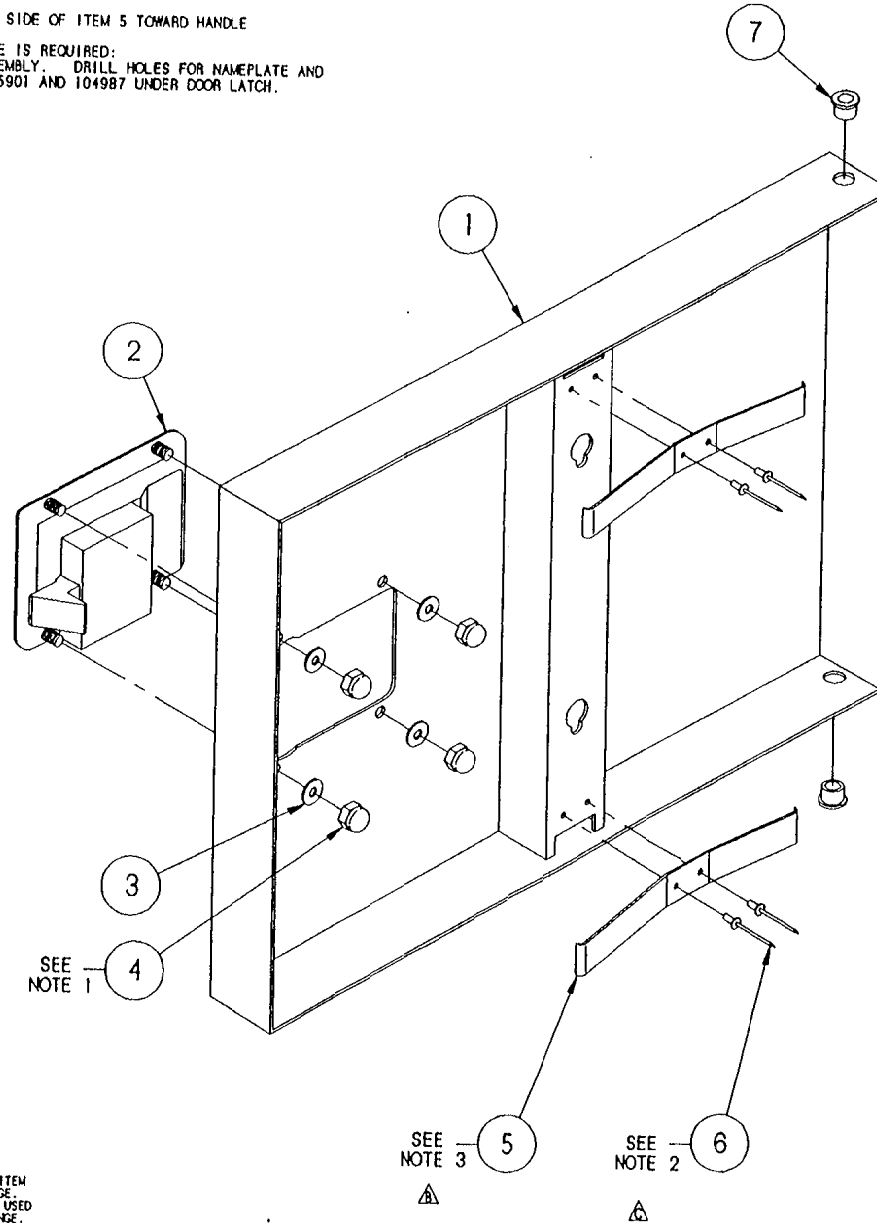
TOLERANCES (EXCEPT AS NOTED)		CLEVELAND RANGE INC. 1333 East 179th St. Cleveland, Ohio 44110-2574	
DECIMAL ± N/A	SCALE NTS	DRAWN BY DUTCHMAN	APPROVED BY
ANGULAR ± N/A	TITLE	CONVECTION H.L. FINAL ASSEMBLY PRODUCTION, ALL OPTIONS	
CK	DATE 11-02-93	DRAWING NO. C - 105509	REV. D

NOTES : 1.) USE LOCTITE #222 - LOW STRENGTH (#104146) ON ITEM 4

⚠ 2.) USE RTV (#00833) ON ITEM 6

⚠ 3.) ORIENT LONGER SIDE OF ITEM 5 TOWARD HANDLE

⚠ 4.) WHEN NAMEPLATE IS REQUIRED:  
ATTACH AT ASSEMBLY. DRILL HOLES FOR NAMEPLATE AND  
MOUNT P/Ns 105901 AND 104987 UNDER DOOR LATCH.



SEE  
NOTE 1

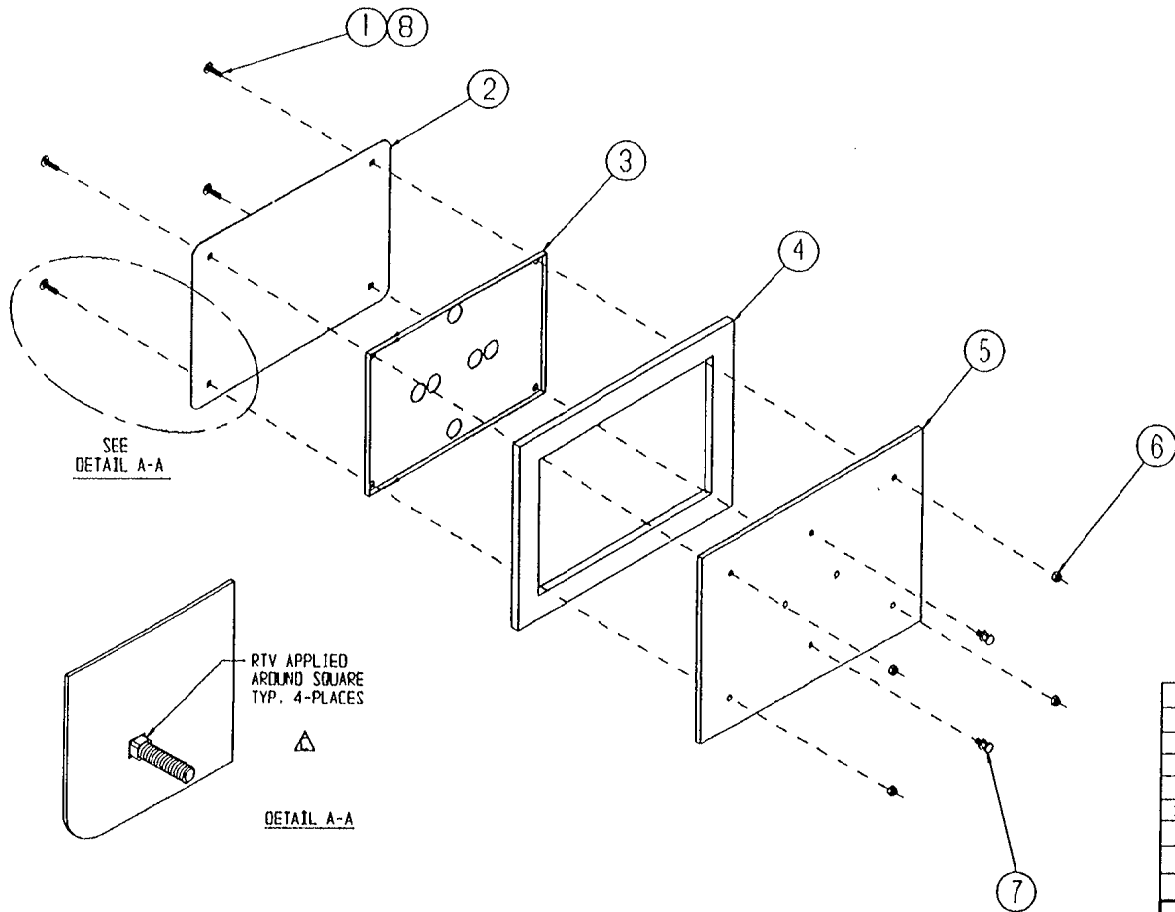
SEE  
NOTE 3

SEE  
NOTE 2

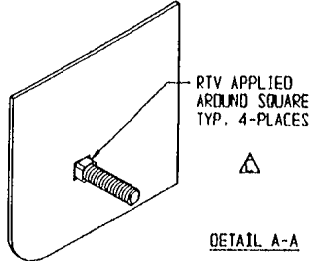
THIS DESIGN DESCRIBES A PROPRIETARY ITEM  
AND IS THE PROPERTY OF CLEVELAND RANGE.  
THIS DRAWING IS NOT TO BE COPIED OR USED  
WITHOUT THE APPROVAL OF CLEVELAND RANGE.

LET.	REVISIONS	DATE	BY
B	NOTE 3 WAS UPDATED, WAS ITEM 6 CALLOUT PER E.O. #C-1908	01-01-91	DJP
C	NOTE 2 REVISED, WAS ITEM 7 CALLOUT PER E.O. #C-1908 R1	03-19-92	PJD
D	P/Ns 105901 & 104987 ADDED PER E.O. #C-2441 R2	08-28-93	PJD
E	P/Ns 105901 & 104987 REF. ONLY PER E.O. #C-2441 R3	08-05-93	PJD
F	P/Ns 105901 & 104987 REMOVED PER E.O. #C-2441 R5	12-13-93	PJD

7	2	103641	BUSHING, BRONZE
6	4	18357	RIVET, 1/8" DIA. FLUSH BREAK, S/S
5	2	102228	SPRING, DOOR
4	4	14879	NUT, #10-24 ACORN, S/S
3	4	101655	WASHER, #10 FLAT, S/S
2	1	103643	LATCH, DOOR - PADDLE TYPE
1	1	103527	OUTER DOOR WELDMENT, H.L.
ITEM	QTY.	PART NO.	DESCRIPTION
TOLERANCES (EXCEPT AS NOTED)			<b>CLEVELAND RANGE INC.</b> 1333 East 179th St., Cleveland, Ohio 44110-2574
DECIMAL ± N/A	SCALE 5/8=1	DRAWN BY DUTCHMAN	
ANGULAR ± N/A	TITLE	DOOR, OUTER ASSEMBLY SC 3.1 CONVECTION, H.L.	
CK	DATE 02-28-91	DRAWING NO. C - 103537	REV. F



SEE  
DETAIL A-A



RTV APPLIED  
AROUND SQUARE  
TYP. 4-PLACES

DETAIL A-A

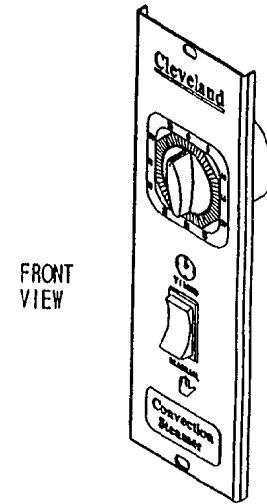
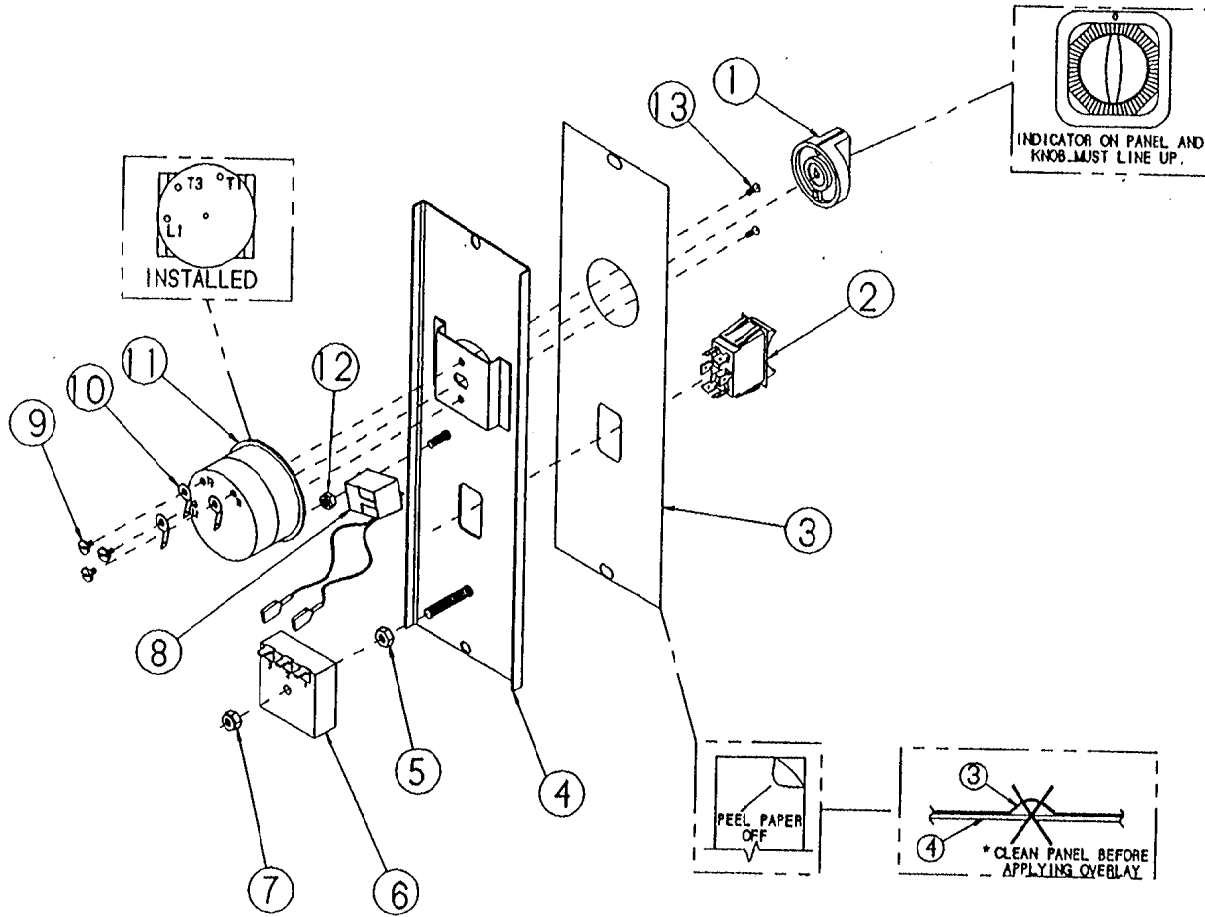
THIS DESIGN DESCRIBES A PROPRIETARY ITEM  
AND IS THE PROPERTY OF CLEVELAND RANGE.  
THIS DRAWING IS NOT TO BE COPIED OR USED  
WITHOUT THE APPROVAL OF CLEVELAND RANGE.

LET.	REVISIONS	DATE	BY
A	REVISED PER E.O. #C-1872 R5	2-28-91	PJC
B	REVISED PER E.O. #C-1872 R7	5-13-91	PJC
C	REVISED PER E.O. #C-1993	8-05-91	PJC

ITEM	QTY.	PART NO.	DESCRIPTION
8	A/R	00932	SEALANT, RTV
7	2	19923	PIN GUIDE, INNER DOOR
6	4	14665	NUT, HEX LOCK 1/4-20
5	1	100745	INNER DOOR WELDMENT
4	1	07138	DOOR GASKET
3	1	66214	INNER GASKET RETAINER
2	1	66595	GASKET RETAINER PLATE
1	4	104719	BOLT, CARRIAGE 1/4-20 X 1.000"

TOLERANCES (EXCEPT AS NOTED)		CLEVELAND RANGE INC.		
		1333 East 178th St. Cleveland, Ohio 44110-2574		
DECIMAL ± N/A	SCALE N/A	DRAWN BY P. J. D.	APPROVED BY D. S.	
ANGULAR ± N/A	TITLE DOOR, INNER ASS'Y. SC 3.1 CONV. (NEW STYLE MODEL C)			
CK	DATE 02-28-91	DRAWING NO. B-104101	REV. C	

LET	REVISIONS	DATE	BY
A	HOLES ADDED TO LABEL P/N 105890 WAS 103720 EO #C-2182	04-08-92	PJD
B	105890 COLOR/ARTWORK CHANGE PER E.O. #C-2503 & C-2424	09-21-93	PJD



FRONT VIEW

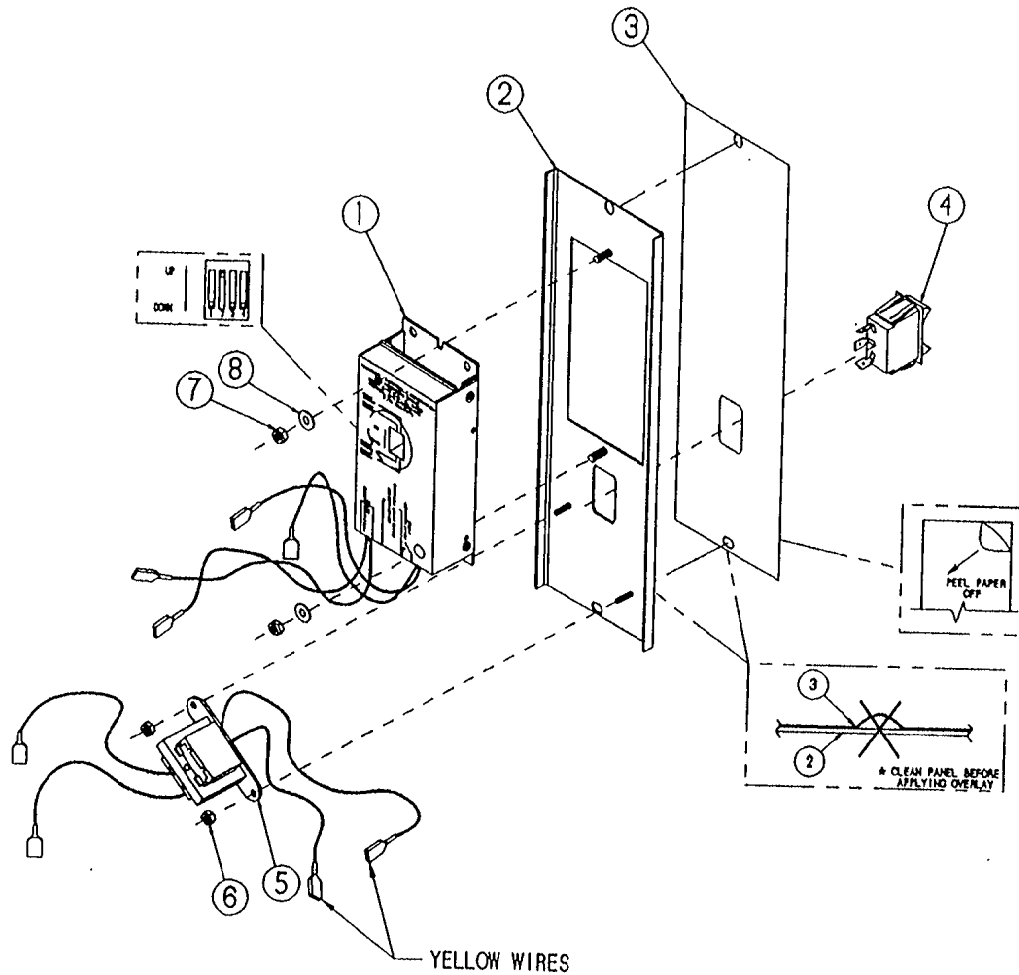
NO.	QTY.	PART NO.	DESCRIPTION
13	2	19201	SCREW S-40 X .250 PAN HD. SLTD. S/S
12	1	14892	NUT, 10-20 ELASTIC LOCK, STEEL PLTD
11	1	20478	TIMER, 60 MIN, MECHANICAL SWITCHING
10	3	20323	TERMINAL, #10 RING / .25 MALE TAB
9	3	---	INCLUDED IN ITEM 10
8	1	41350	BUZZER ASSEMBLY WITH TERMINALS
7	1	101873	NUT, 1/4-20 ELASTIC LOCK
6	1	20477	TIMER, SOLID STATE, 3 SECOND DELAY
5	1	14818	NUT, HEX, 1/4-20 S/S
4	1	104958	PANEL, TIMER - CONV. MECHANICAL
3	1	105890	LABEL, PANEL - MECH. TIMER CONV.
2	1	19992	SWITCH, ROCKER, COMPT. BYPASS
1	1	11307	KNOB, TIMER



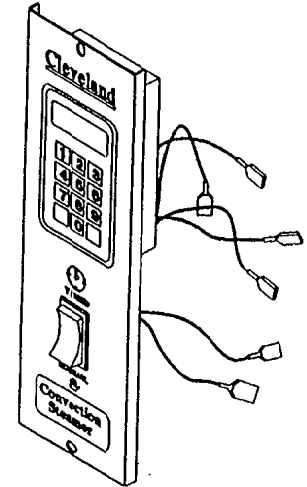
TOLERANCES UNLESS SHOWN		CLEVELAND RANGE INC. 1333 East 178th St. Cleveland, Ohio 44110-2574	
DECIMAL	SCALE	DRAWN BY	APPROVED BY
1/16	N/A	OUTCHBAH	D.S.
TITLE			
TIMER ASSEMBLY - BACK MOUNTED CONVECTION STEAMER MECHANICAL			
DATE	DRAWING NO.	REV.	
09-16-91	C-104929	B	

THIS DESIGN DESCRIBES A PROPRIETARY ITEM AND IS THE PROPERTY OF CLEVELAND RANGE. THIS DRAWING IS NOT TO BE COPIED OR USED WITHOUT THE APPROVAL OF CLEVELAND RANGE.

LET	REVISIONS	DATE	BY
A	HOLES ADDED TO LABEL P/N 105889 WAS 104478 EO #C-2182	04-08-92	PJD
B	105889 COLOR/ARTWORK CHANGE PER E.O. #C-2503 & C-2424	09-21-93	PJD



FRONT VIEW



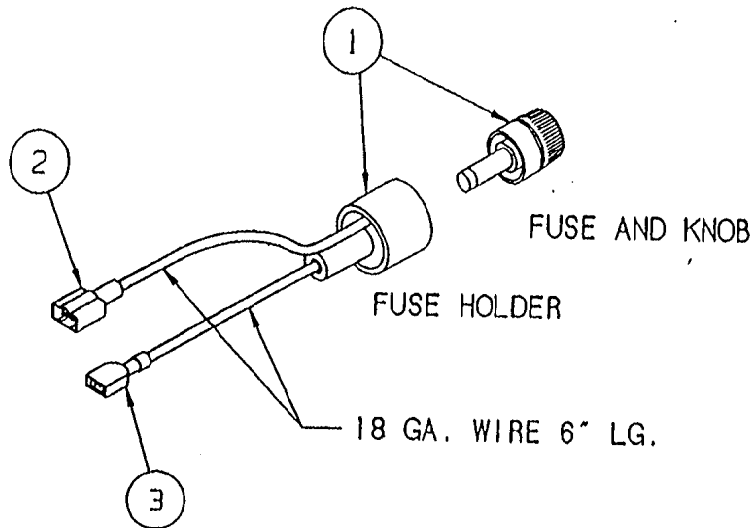
NO.	QTY.	PART NO.	DESCRIPTION
8	2	101635	WASHER, FLAT #10 S/S
7	2	14892	NUT, HEX 10-24 ELASTIC LOCK
6	2	104223	NUT, HEX 8-32 ELASTIC LOCK
5	1	104390	TRANSFORMER, ASSEMBLY
4	1	104221	SWITCH, ROCKER, SPOT MATTE FINISH
3	1	105889	LABEL, CONT. PANEL, HCC - CONY.
2	1	104701	PANEL, WELDMENT ELECTRONIC
1	1	104389	TIMER, ASSEMBLY - HCC

TOLERANCES (UNLESS SHOWN)			
<b>CLEVELAND RANGE INC.</b>			
1303 East 179th St. Cleveland, Ohio 44110-2874			
DECIMAL	SCALE	DRAWN BY	APPROVED BY
2 N/A	1/2"	DUTCHMAN	D.S.
TITLE			
TIMER ASSEMBLY - BACK MOUNTED CONVECTION STEAMER ELECTRIC			
DATE	DRAWING NO.	REV.	
09-17-91	C-104930	B	

THIS DESIGN DESCRIBES A PROPRIETARY ITEM  
AND IS THE PROPERTY OF CLEVELAND RANGE.  
THIS DRAWING IS NOT TO BE COPIED OR USED  
WITHOUT THE APPROVAL OF CLEVELAND RANGE.

LET.	REVISIONS	DATE	BY
A	PICTORIAL CHANGE PER E.O. #2591 RI	05-06-94	PJD

U.L. AND C.S.A.  
APPROVED



3	1	20351	TERMINAL, SLIP ON FEMALE
2	1	20370	TERMINAL, SLIP ON, MALE
1	1	106881	FUSE AND HOLDER ASSEMBLY
ITEM	QTY.	PART NO.	DESCRIPTION

TOLERANCES  
(EXCEPT AS NOTED)

**CLEVELAND RANGE INC.**  
1333 East 179th St. Cleveland, Ohio 44110-2574

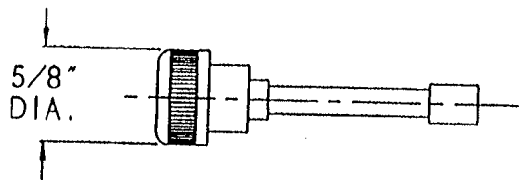
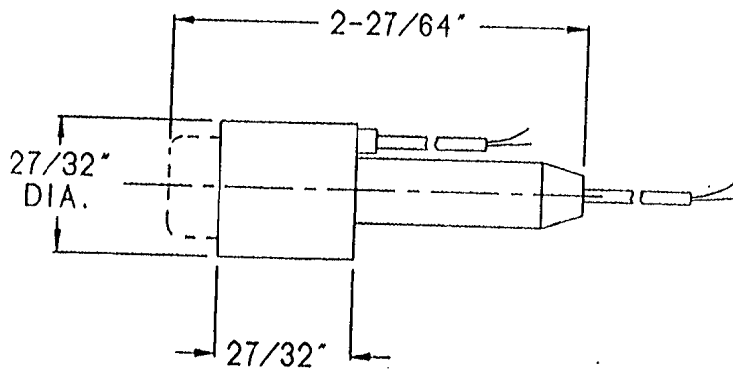
DECIMAL ± .030	SCALE 2=1	DRAWN BY DUTCHMAN	APPROVED BY -
-------------------	--------------	----------------------	------------------

ANGULAR  
± 1°

TITLE  
FUSE AND HOLDER WIRE ASSY.  
NCC TIMER RETROFIT

CK	DATE 05-06-94	DRAWING NO. A - 106870	REV. A
----	------------------	---------------------------	-----------

THIS DESIGN DESCRIBES A PROPRIETARY ITEM AND IS THE PROPERTY OF CLEVELAND RANGE. THIS DRAWING IS NOT TO BE COPIED OR USED WITHOUT THE APPROVAL OF CLEVELAND RANGE.



BUSSMAN HLR  
FUSE HOLDER

GUIDE #1ZLT2 U.L.  
FILE #B14853 U.L.

CLASS #6225-01 C.S.A.  
FILE #47235 C.S.A.

BUSSMAN GLR 2 AMP  
NON-DELAY FUSE

GUIDE #JDYX U.L.  
FILE #E19180 U.L.

CLASS #1422-01 C.S.A.  
FILE #53787 C.S.A.

APPROVED SOURCE:

CONSOLIDATED ELECTRICAL DISTRIBUTORS, INC.  
7444 TYLER BLVD., MENTOR, OHIO 44060  
PHONE (216) 946-8850

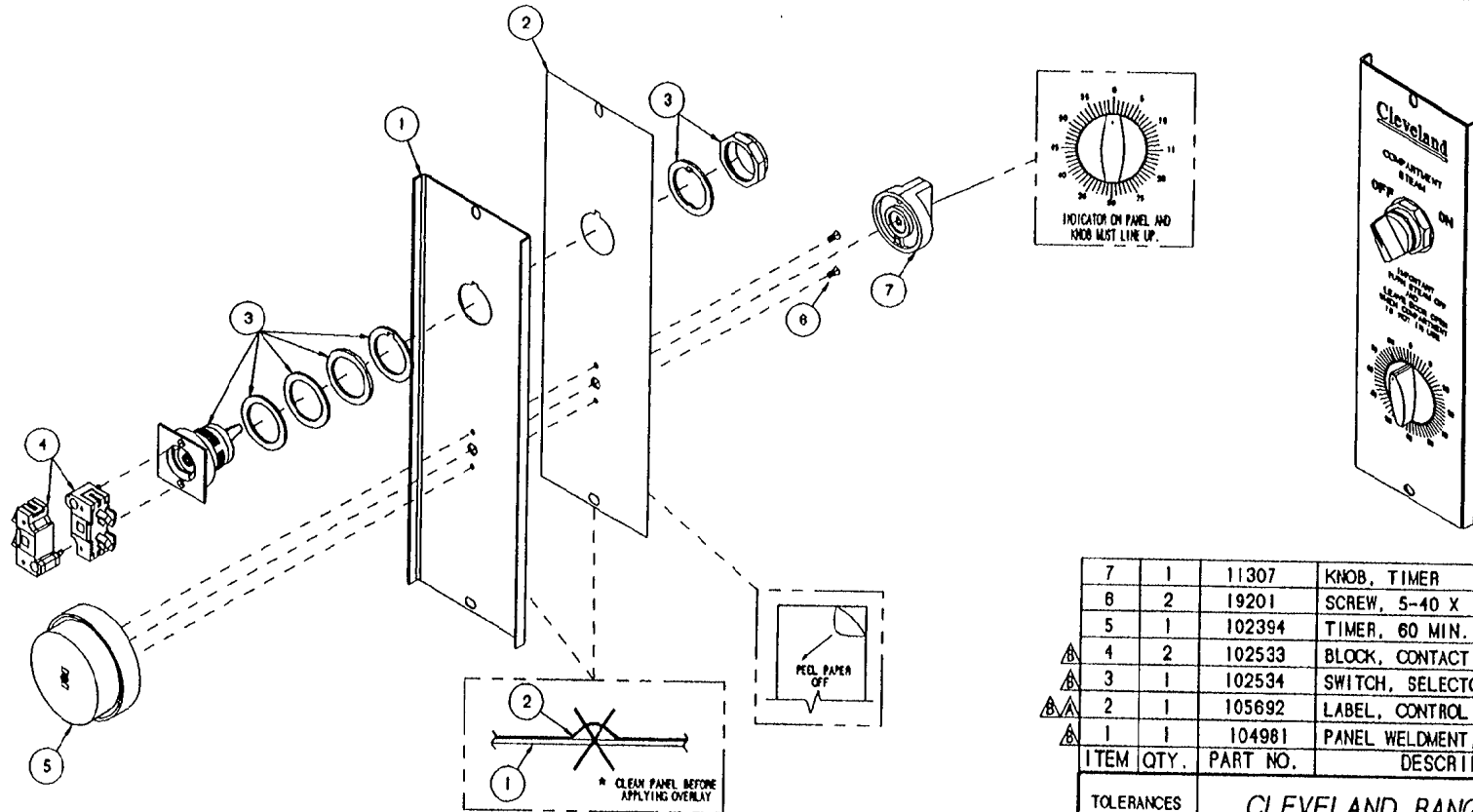
THIS DESIGN DESCRIBES A PROPRIETARY ITEM  
AND IS THE PROPERTY OF CLEVELAND RANGE.  
THIS DRAWING IS NOT TO BE COPIED OR USED  
WITHOUT THE APPROVAL OF CLEVELAND RANGE.

ITEM	QTY.	PART NO.	DESCRIPTION
TOLERANCES (EXCEPT AS NOTED)		<b>CLEVELAND RANGE INC.</b> 1333 East 179th St. Cleveland, Ohio 44110-2574	
DECIMAL ± .030	SCALE 2=1	DRAWN BY DUTCHMAN	APPROVED BY -
ANGULAR ± 1°	TITLE FUSE AND HOLDER ASSY. NCC TIMER RETROFIT		
CK	DATE 05-06-94	DRAWING NO. A - 106881	REV. -

LET.	REVISIONS	DATE	BY



LET.	REVISIONS	DATE	BY
A	HOLES ADDED TO LABEL, P/N 105692 WAS 103719. E.O. C-2182.	04/08/92	PJD
B	UPDATED PICTORIALY PER E.O. #C-2429 & #C-2495 & #C-2503	09/13/93	NLT



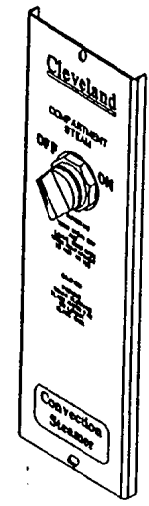
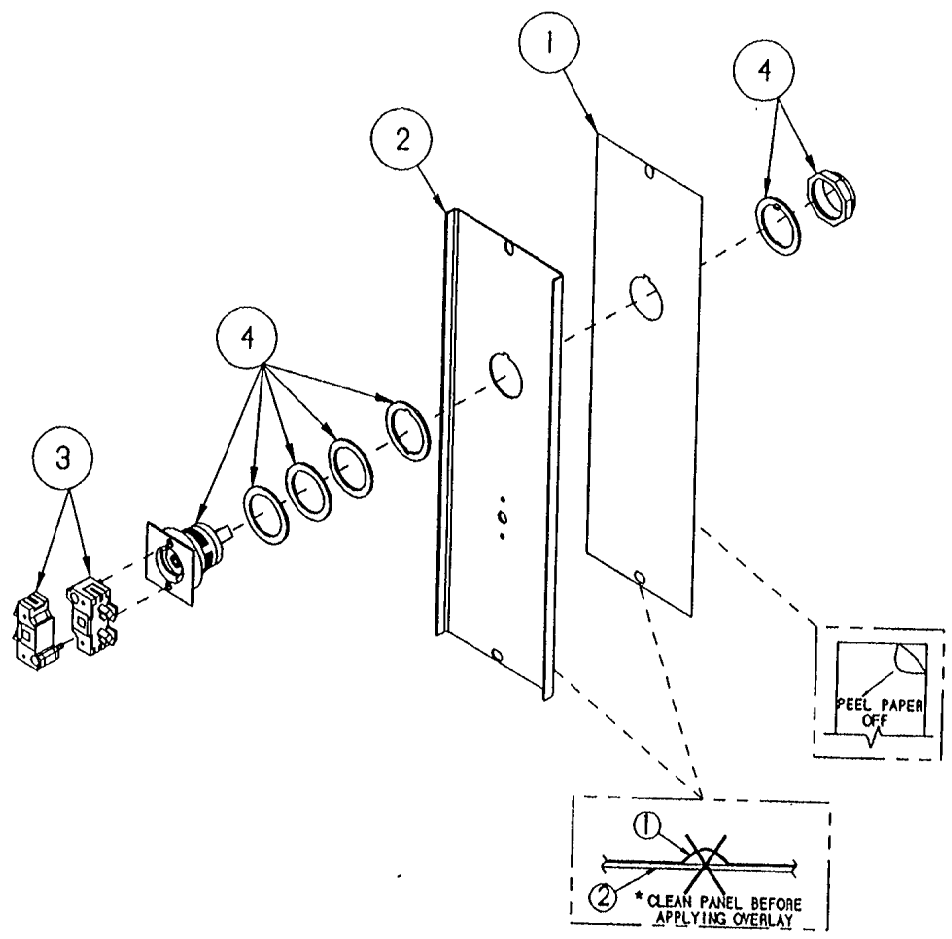
ITEM	QTY.	PART NO.	DESCRIPTION
7	1	11307	KNOB, TIMER
6	2	19201	SCREW, 5-40 X .250, PAN HD
5	1	102394	TIMER, 60 MIN., INDICATING
△ 4	2	102533	BLOCK, CONTACT
△ 3	1	102534	SWITCH, SELECTOR
△ 2	1	105692	LABEL, CONTROL PANEL, ON/OFF
△ 1	1	104981	PANEL WELDMENT, ON/OFF CONTROL

TOLERANCES (EXCEPT AS NOTED)			
DECIMAL	SCALE	DRAWN BY	
± N/A	3/8=1	DUTCHMAN	APPROVED BY
ANGULAR	TITLE		
± N/A	TIMER ASSEMBLY, ON/OFF CONTROL W/ INDICATING TIMER		
CK	DATE	DRAWING NO.	REV.
	09-19-91	B - 104931	B

THIS DESIGN DESCRIBES A PROPRIETARY ITEM AND IS THE PROPERTY OF CLEVELAND RANGE. THIS DRAWING IS NOT TO BE COPIED OR USED WITHOUT THE APPROVAL OF CLEVELAND RANGE.



LET	REVISIONS	DATE	BY
A	HOLES ADDED TO LABEL P/N 105691 WAS 103718 EO #C-2182	04-08-92	PJD
B	103891 COLOR/ARTWORK CHANGE & 101981 HOLE PLACEMENT REVISED PER E.O. #C-2503 & C-2424	09-21-93	PJD

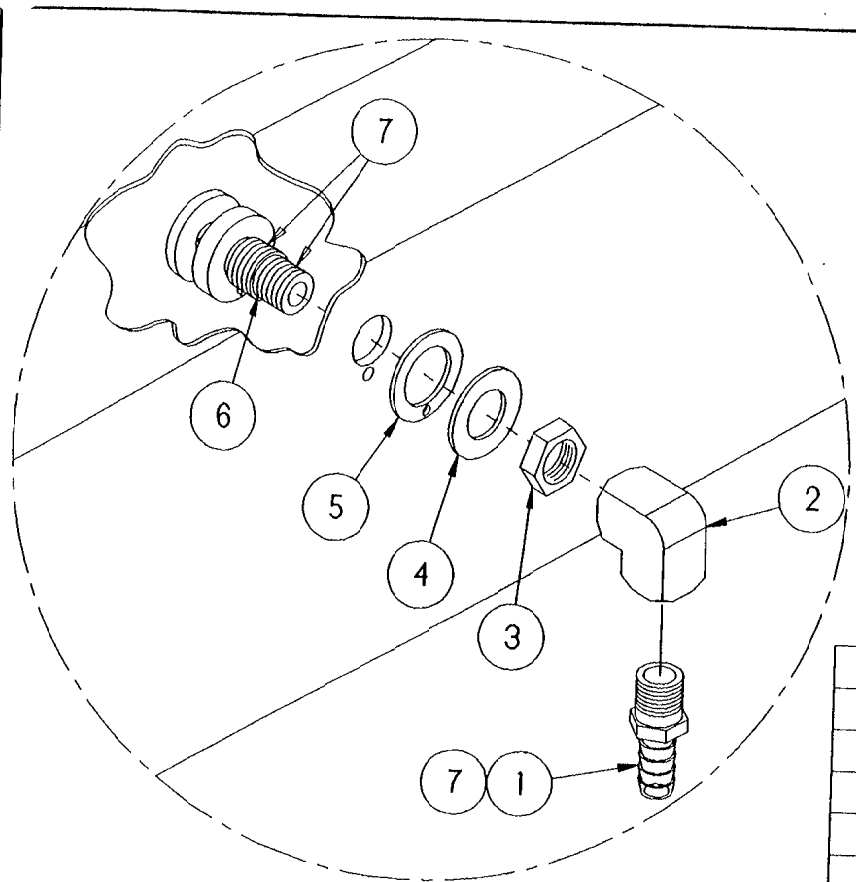


NO.	QTY	PART	DESCRIPTION
4	1	102534	SWITCH, SELECTOR
3	2	102533	BLOCK, CONTACT
2	1	104981	PANEL, CONV., ON/OFF
1	1	105691	LABEL, PANEL, ON/OFF

<b>CLEVELAND RANGE INC.</b> 1233 East 178th St., Cleveland, Ohio 44110-2574				
TOLERANCES <small>UNLESS OTHERWISE SPECIFIED</small>	DECIMAL 1 N/A	SCALE 1/2"	DRAWN BY DUTCHMAN	APPROVED BY D.S.
ANGULAR 2 N/A	TITLE TIMER ASSEMBLY - BACK MOUNTED CONVECTION STEAMER, ON/OFF			
DATE 09-19-91	DRAWING NO. C-104932	REV. B		

THIS DESIGN DESCRIBES A PROPRIETARY ITEM AND IS THE PROPERTY OF CLEVELAND RANGE. THIS DRAWING IS NOT TO BE COPIED OR USED WITHOUT THE APPROVAL OF CLEVELAND RANGE.



TYPICAL APPLICATION

THIS DESIGN DESCRIBES A PROPRIETARY ITEM AND IS THE PROPERTY OF CLEVELAND RANGE. THIS DRAWING IS NOT TO BE COPIED OR USED WITHOUT THE APPROVAL OF CLEVELAND RANGE.

LET.	REVISIONS	DATE	BY
A	SEE E.O. #C-2689	09-15-94	PJD

NOTES:

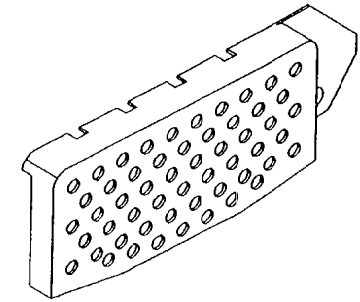
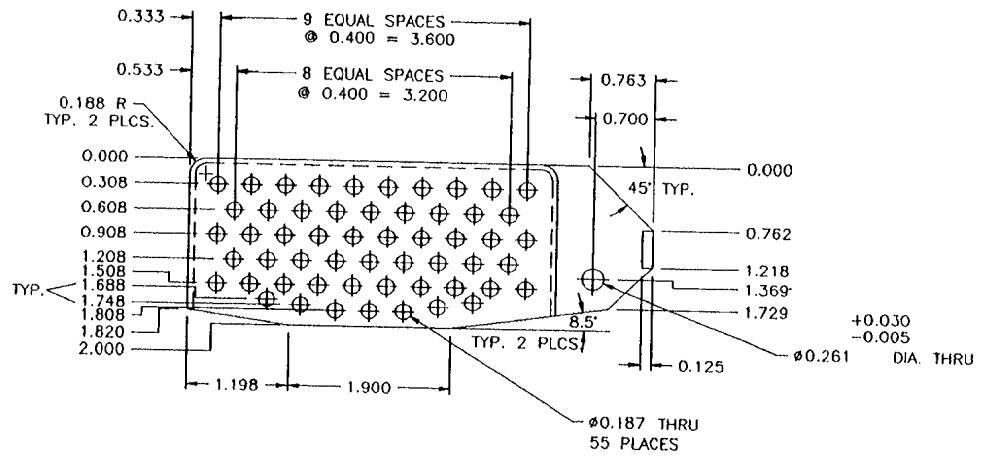
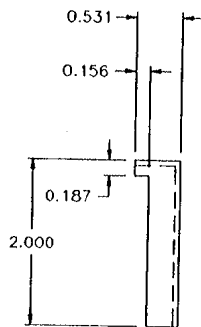
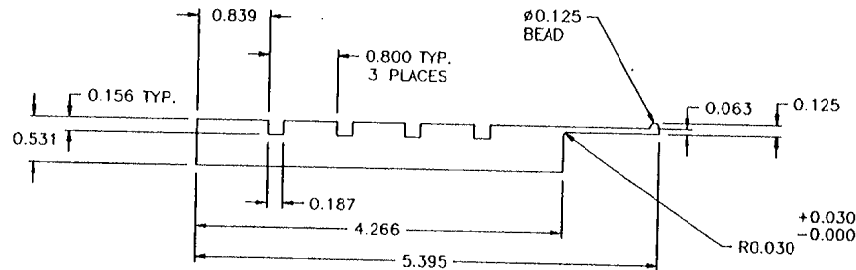
1.) ITEM 2 (P/N 05236) AND ITEM 1 (P/N 105277) TO BE ROTATED TO AN ANGLE THAT WILL MATCH THE OTHER SPRAY NOZZLES OR MEET A MATING HOSE FITTING.

ITEM	QTY.	PART NO.	DESCRIPTION
7	A/R	00934	SEALANT, RECTORSEAL
6	1	104009	FITTING, ASSY, STEAM SUPPLY
5	1	104082	GASKET, STEAM INJECTOR
4	1	104232	WASHER, FLAT S/S
3	1	104081	NUT, JAM 5/8-18, BRASS
2	1	05236	ELBOW, 1/4" X 90°, BRASS
1	1	105277	FITTING, HOSE 3/8 H X 1/4 MPT

TOLERANCES (EXCEPT AS NOTED)		<b>CLEVELAND RANGE INC.</b> 1333 East 179th St. Cleveland, Ohio 44110-2574	
DECIMAL ± .030	SCALE 1/2"		
ANGULAR ± 1°	TITLE SPRAY NOZZLE ASSY. (3/8" HOSE) CONVECTION AND CONVECTION PRO, STEAMCRAFT POWER 10 AND D.C. 10		
CK	DATE 12-14-92	DRAWING NO. A - 106230	REV. A

NOTE: TOLERANCES ARE NON-ACCUMULATIVE

LET.	REVISIONS	DATE	BY
C	REVISED/REDRAWN DEVELOPED NEW EO #C-1889	02/08/91	DJP
D	REVISED/REDRAWN .187 DIA. HOLES REPLACED BY OBROUND SLOTS EO #C-1929-	04/30/91	DJP
E	CHANGED BACK TO .187 DIA. HOLES & MATERIAL CHANGED TO TALC FILLED POLYPROPYLENE	09/24/93	NLT
-	PER EO #C-2299 R2	-	-
F	ADDED APPROVED SOURCE PER EO #C-2853	07/31/95	DJP



MATERIAL: TALC FILLED POLYPROPYLENE  
 NOMINAL THICKNESS: 0.062 IN.  
 COLOR: NATURAL

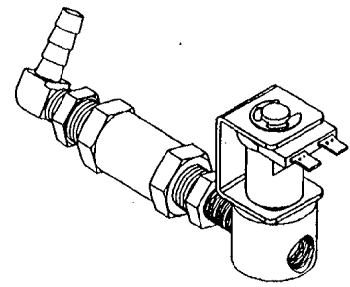
APPROVED SOURCE:

- 1.) ROYAL PLASTIC  
 MATERIAL SUPPLIER: FERRO CORP.  
 FORMULATION I.D. APP40GR17NA  
 NSF DCC FD04593-001

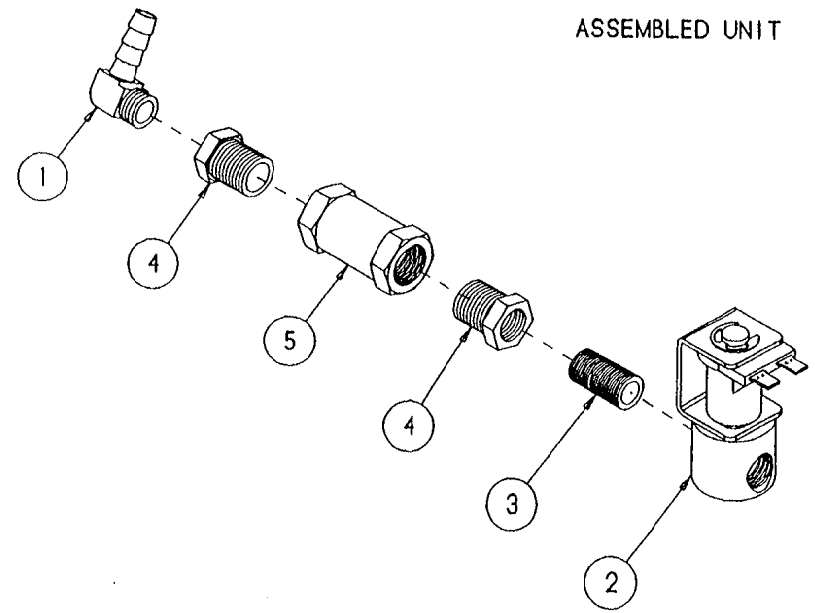
THIS DESIGN DESCRIBES A F ITEM AND IS THE PROPERTY OF CLEVELAND RANGE. THIS DRAWING IS NOT TO BE REPRODUCED OR USED WITHOUT THE APPROVAL OF CLEVELAND RANGE.

ITEM	QTY	PART NO.	DESCRIPTION
<b>CLEVELAND RANGE INC.</b>			
1333 East 170th St. Cleveland, Ohio 44110-2574			
DECIMAL ± 0.30	SCALE 1=1	DRAWN BY NLT	APPROVED BY
ANGULAR ± 1°	TITLE SCREEN, DRAIN CO' MOLDED PLA		ENT,
DATE 12/16/92	DRAWING NO. C-60208	REV	

LET.	REVISIONS	DATE	BY
------	-----------	------	----



ASSEMBLED UNIT



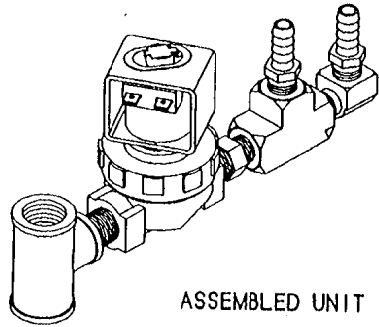
PRODUCTION

ITEM	QTY.	PART NO.	DESCRIPTION
5	1	15455	FLOW CONTROLLER, COND REGULATOR, 3/8"
4	2	02594	BUSHING, HEX, 3/8 X 1/4, BRASS
3	1	14304	NIPPLE, 1/4 X CLOSE, YELLOW BRASS
2	1	22218	VALVE, SOLENOID
1	1	105786	FTING, HOSEBARB, 1/4MPT X 1/4H, 90°

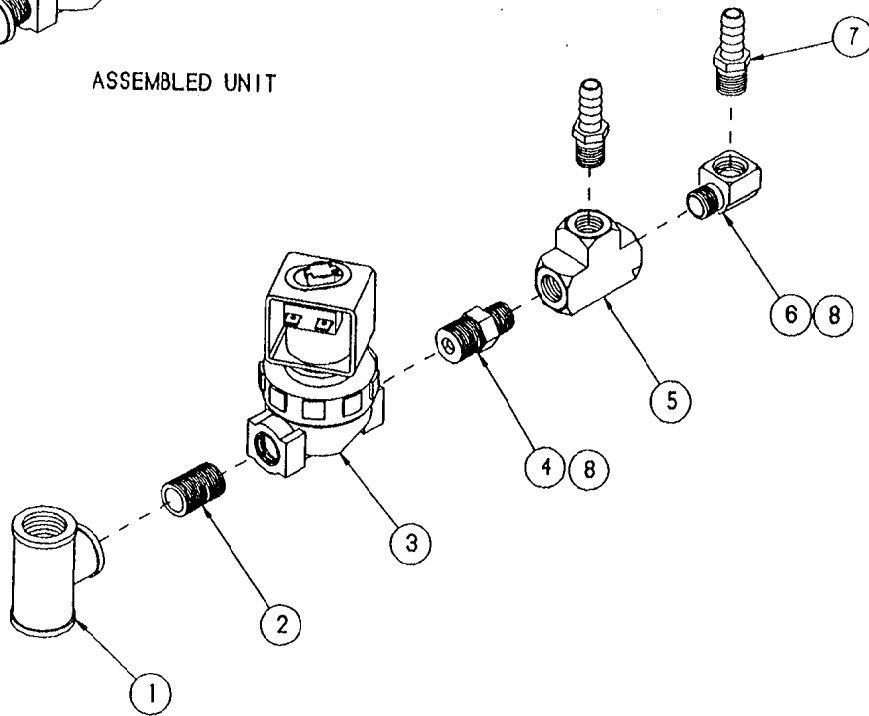
TOLERANCES (EXCEPT AS NOTED)		<b>CLEVELAND RANGE INC.</b> 1333 East 179th St. Cleveland, Ohio 44110-2574	
DECIMAL ± .030	SCALE 5/8"	DRAWN BY Dutchman	APPROVED BY
ANGULAR ± 1°	TITLE WATER VALVE ASSEMBLY CONVECTION		
CK	DATE 02-23-94	DRAWING NO. B - 106831	REV. -

THIS DESIGN DESCRIBES A PROPRIETARY ITEM AND IS THE PROPERTY OF CLEVELAND RANGE. THIS DRAWING IS NOT TO BE COPIED OR USED WITHOUT THE APPROVAL OF CLEVELAND RANGE.

LET	REVISIONS	DATE	BY
-----	-----------	------	----



ASSEMBLED UNIT



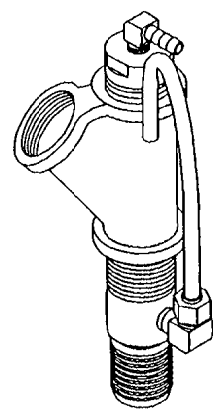
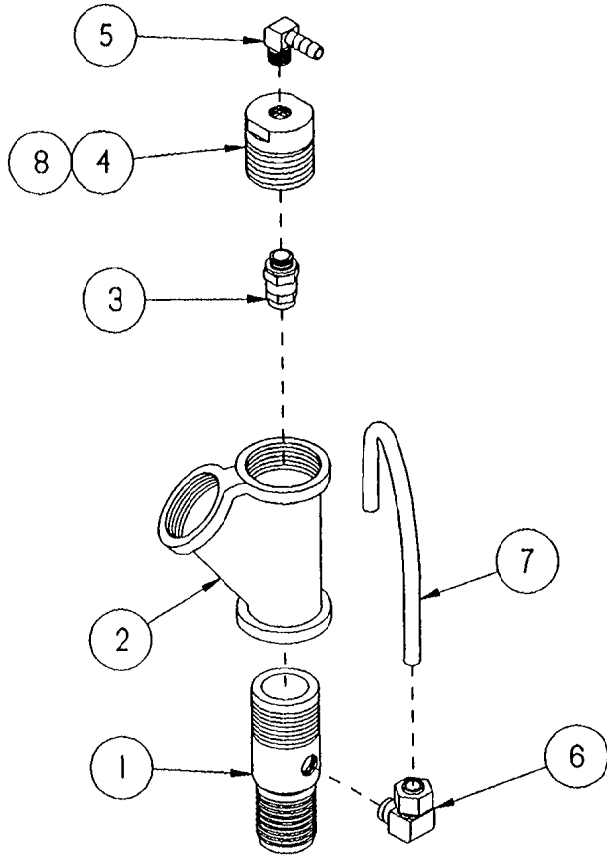
PRODUCTION

THIS DESIGN DESCRIBES A PROPRIETARY ITEM AND IS THE PROPERTY OF CLEVELAND RANGE. THIS DRAWING IS NOT TO BE COPIED OR USED WITHOUT THE APPROVAL OF CLEVELAND RANGE.

ITEM	QTY.	PART NO.	DESCRIPTION
8	A/R	00934	SEALANT, RECTORSEAL
7	2	105277	FITTING, HOSE BARB 3/8 H X 1/4 NPT
6	1	05235	ELBOW, STREET 1/4" X 90°, BRASS
5	1	20199	TEE, 1/4" BRASS
4	1	105699	FITTING, FLOW RESTRICTOR, 3/8 X 1/4
3	1	22224	VALVE, STEAM SOLENOID 1-80 PSI
2	1	14427	NIPPLE, 3/8 X CLOSE, BRASS
1	1	100676	TEE, 1/2 X 3/8 X 1/2, BRASS

TOLERANCES (EXCEPT AS NOTED)		CLEVELAND RANGE INC. 1333 East 179th St. Cleveland, Ohio 44110-2574	
DECIMAL ± N/A	SCALE 1/2"	DRAWN BY Dulchman	APPROVED BY
ANGULAR ± N/A	TITLE STEAM, INLET ASSEMBLY CONVECTION		
CK	DATE 02-23-94	DRAWING NO. B - 106830	REV. -

LET.	REVISIONS	DATE	BY
A	P/N 105787 WAS 08192 PER E.O. #C-2579	02-25-94	PJD



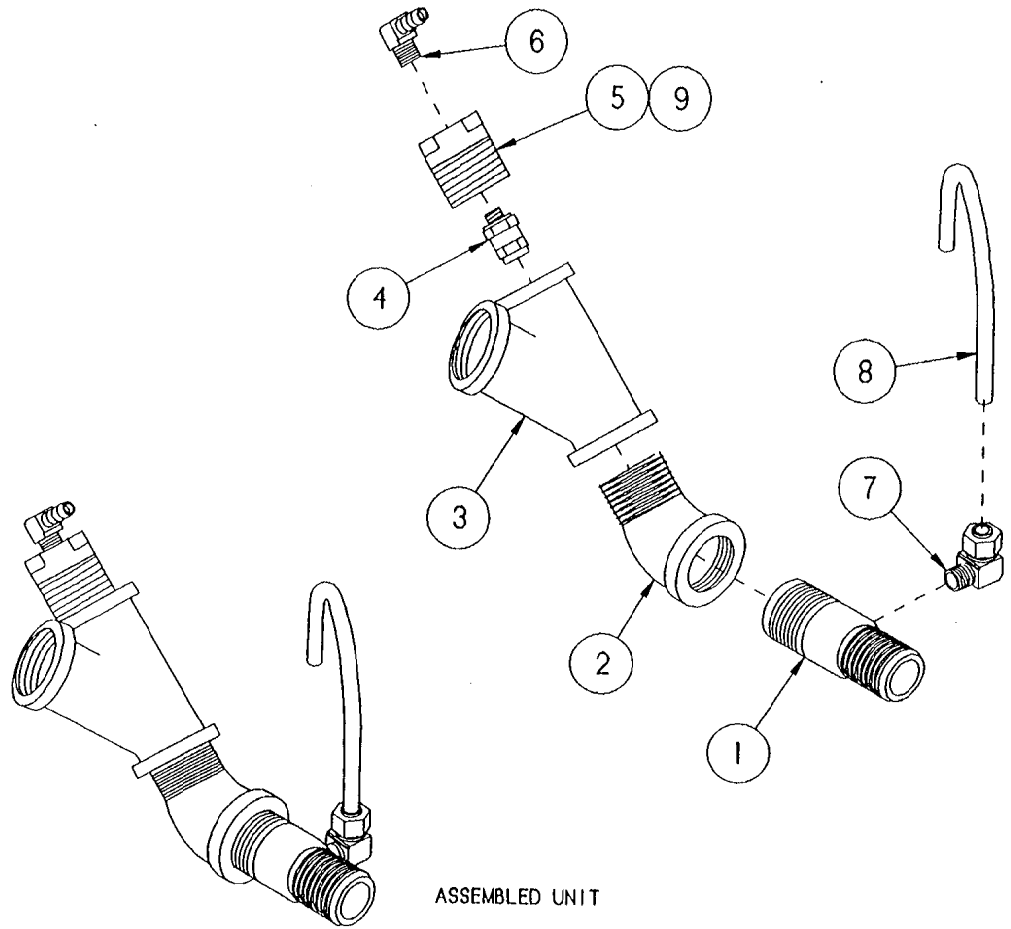
ASSEMBLED UNIT

ITEM	QTY.	PART NO.	DESCRIPTION
8	A/R	101051	NEVER-SEEZ
7	1	70732	TUBE, COPPER, DRAIN VENT
6	1	06233	FITTING, COMP. 3/8 T X 1/8 90°
5	1	105787	FITTING 1/4 H X 1/8 MPT 90°
4	1	06230	FITTING, COMPARTMENT DRAIN
3	1	14555	NOZZLE, SPRAY, 1/8 FULL JET
2	1	02139	BEND, "Y" BLACK
1	1	565191	FITTING, HOSE 1" W/ 1/8" HOLE

TOLERANCES (EXCEPT AS NOTED)		CLEVELAND RANGE INC. 1333 East 179th St. Cleveland, Ohio 44110-2574	
DECIMAL ± N/A	SCALE 1/2" = 1"	DRAWN BY PJD	APPROVED BY
ANGULAR ± N/A	TITLE DRAIN ASSEMBLY, CONVECTION UPPER COMPARTMENT		
CK	DATE 11-01-93	DRAWING NO. B - 106473	REV. A

THIS DESIGN DESCRIBES A PROPRIETARY ITEM AND IS THE PROPERTY OF CLEVELAND RANGE. THIS DRAWING IS NOT TO BE COPIED OR USED WITHOUT THE APPROVAL OF CLEVELAND RANGE.

LET.	REVISIONS	DATE	BY
A	P/N 105787 WAS 06192 PER E.O. #C-2579	02-25-94	PJD



ASSEMBLED UNIT

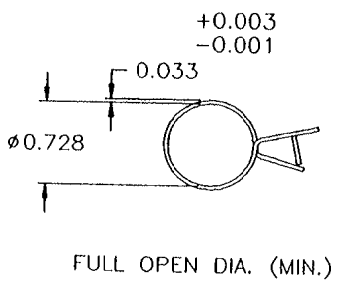
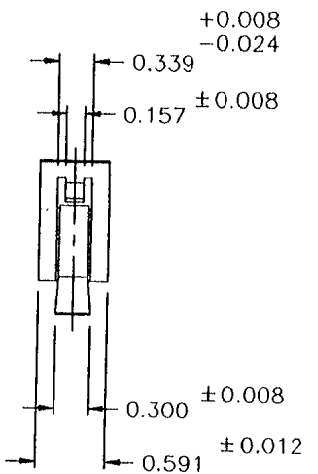
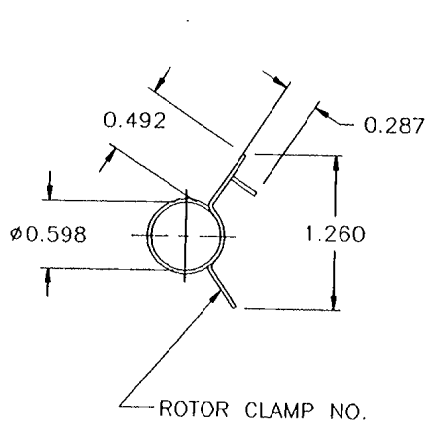
THIS DESIGN DESCRIBES A PROPRIETARY ITEM AND IS THE PROPERTY OF CLEVELAND RANGE. THIS DRAWING IS NOT TO BE COPIED OR USED WITHOUT THE APPROVAL OF CLEVELAND RANGE.

ITEM	QTY.	PART NO.	DESCRIPTION
9	A/R	101051	NEVER-SEEZ
8	1	70732	FITTING, HOSE 3/8 H X 1/8 MPT, 90°
7	1	06233	FITTING, COMP. 3/8 T X 1/8 90°
6	1	105787	FITTING 1/4 H X 1/8 MPT 90°
5	1	06230	FITTING, COMPARTMENT DRAIN
4	1	14555	NOZZLE, SPRAY, 1/8" FULL JET
3	1	02139	BEND, "Y" BLACK
2	1	05227	ELBOW, STREET 1" X 45° BLACK
1	1	565191	FITTING, HOSE 1" W/ 1/8" HOLE

TOLERANCES (EXCEPT AS NOTED)		CLEVELAND RANGE INC. 1333 East 179th St. Cleveland, Ohio 44110-2574	
DECIMAL ± N/A	SCALE 1/2" = 1"	DRAWN BY PJD	APPROVED BY
ANGULAR ± N/A	TITLE DRAIN ASSEMBLY, CONVECTION LOWER COMPARTMENT		
CK	DATE 11-01-93	DRAWING NO. B - 1064731	REV. A



LET.	REVISIONS	DATE	BY
------	-----------	------	----



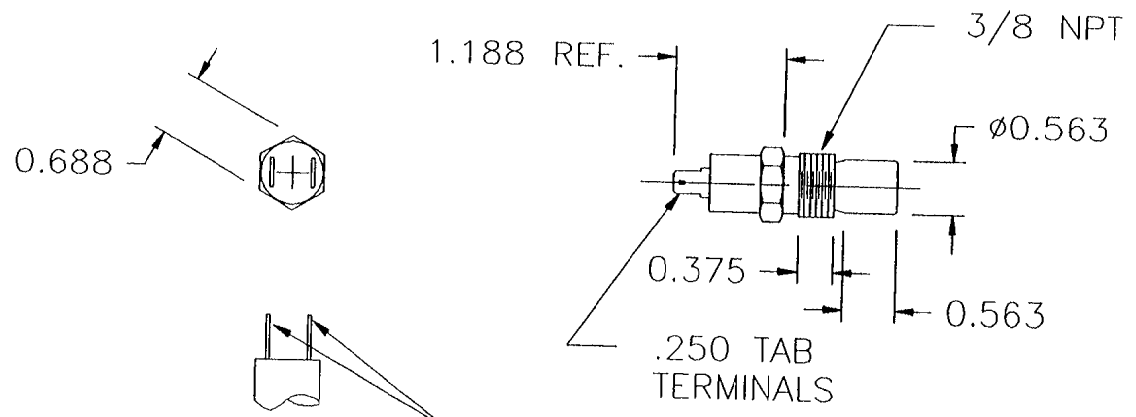
APPROVED SOURCE :  
 ALEXANDER SALES  
 ROTOR CLIP P/N = #CTB-17 ST DB

SPECIFICATIONS :  
 MATERIAL = CHROME VANADIUM STEEL SAE 6150  
 (DIN 17222, JIS G 4802)  
 FINISH = DORRIFLAKE BLACK  
 COLOR = BLACK

THIS DESIGN DESCRIBES A PROPRIETARY ITEM AND IS THE PROPERTY OF CLEVELAND RANGE.  
 THIS DRAWING IS NOT TO BE COPIED OR USED WITHOUT THE APPROVAL OF CLEVELAND RANGE

ITEM	QTY	PART NO.	DESCRIPTION
TOLERANCES (EXCEPT AS NOTED)		<b>CLEVELAND RANGE INC.</b> 1333 East 179th St. Cleveland, Ohio 44110-2574	
DECIMAL ± .030	SCALE 1=1	DRAWN BY PJD	APPROVED BY
ANGULAR ± 1°	TITLE CLAMP, HOSE (5/8" O.D. HOSE) METAL TENSION BAND		
AC	DATE 11/11/01	DRAWING NO. D-107007	REV

LET.	REVISIONS	DATE	BY
A	ADDED APPROVED SOURCE NO. 2	1-03-78	DK
B	1) WAS MODEL NO. 5022-2-181 2) ADDED TO APPROVED SOURCE NO.1	5-06-81	FGF
C	WAS MODEL NO. 08-810211-045 REVISED PER ECN #1017	1-16-85	JM
D	REF: FENWAL INC. ADD: C.S.A. FILE NO. PER ECO #1202	9-30-87	DJP
-	REDRAWN (ACAD), NO CHANGE	10-21-93	CCAD



SPECIFICATIONS:  
CLOSE ON RISE  $\sim 193 \pm 5^\circ F$   
OPEN  $\sim 173 \pm 7^\circ F$   
UL APPROVED

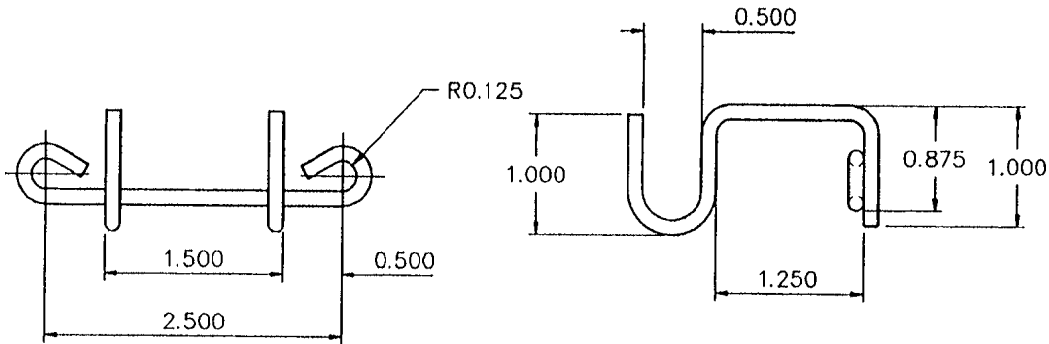
APPROVED SOURCE

- PROTECTIVE CONTROLS INC.  
MODEL NO. 5100-002-181  
U.L. FILE NO. E 36687  
C.S.A FILE NO. LR 25561
- FENWAL INCORPORATED  
MODEL NO. 08-809004-001  
U.L. FILE NO. E18974C  
C.S.A. FILE NO. LR7378-111

THIS DESIGN DESCRIBES A PROPRIETARY ITEM AND IS THE PROPERTY OF CLEVELAND RANGE.  
THIS DRAWING NOT TO BE COPIED OR USED WITHOUT THE APPROVAL OF CLEVELAND RANGE

ITEM	QTY	PART NO.	DESCRIPTION	
TOLERANCES (EXCEPT AS NOTED)		<b>CLEVELAND RANGE INC.</b> 1333 East 179th St. Cleveland, Ohio 44110-2574		
DECIMAL $\pm$ -	SCALE 1=2	DRAWN BY TKB	APPROVED BY	
ANGULAR $\pm 1^\circ$	TITLE <b>THERMAL SWITCH</b>			
AC	DATE 5-29-74	DRAWING NO. A- 19972	REV D	

LET.	REVISIONS	DATE	BY
A	REDESIGNED PER EO C-2579R1.	7-18-94	EJK



MATERIAL: 304 STAINLESS STEEL WIRE  
11 GAGE (.120)

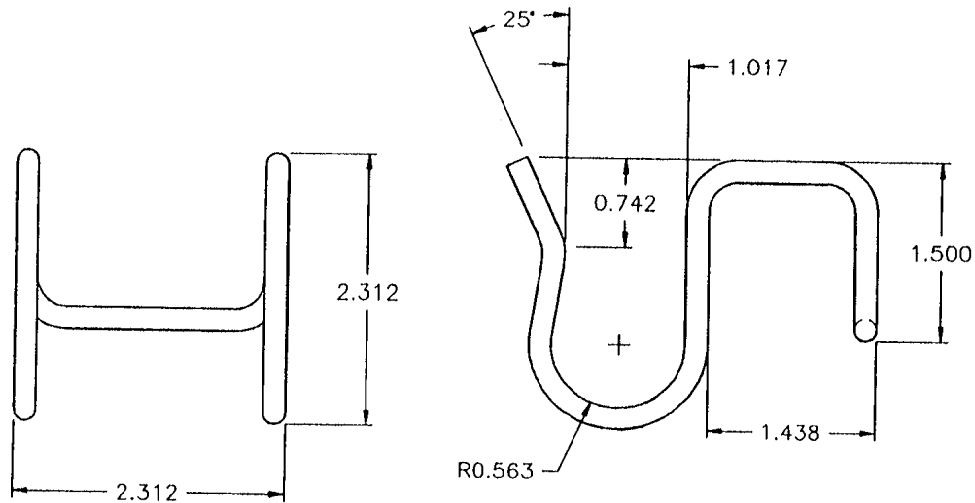
ITEM	QTY	PART NO.	DESCRIPTION	
TOLERANCES (EXCEPT AS NOTED)		<b>CLEVELAND RANGE INC.</b> 1333 East 179th St. Cleveland, Ohio 44110-2574		
DECIMAL $\pm .125$	SCALE 1=1	DRAWN BY EJK	APPROVED BY	
ANGULAR $\pm 1^\circ$	TITLE BRACKET, WIRE CONDENSER SOL.			
AC	DATE 10-20-92	DRAWING NO. B- 106159	REV A	

THIS DESIGN DESCRIBES A PROPRIETARY ITEM AND IS THE PROPERTY OF CLEVELAND RANGE.  
THIS DRAWING IS NOT TO BE COPIED OR USED WITHOUT THE APPROVAL OF CLEVELAND RANGE

NOTES:

1. ALL BEND RADII ARE .25 UNLESS OTHERWISE SPECIFIED.

LET.	REVISIONS	DATE	BY
------	-----------	------	----



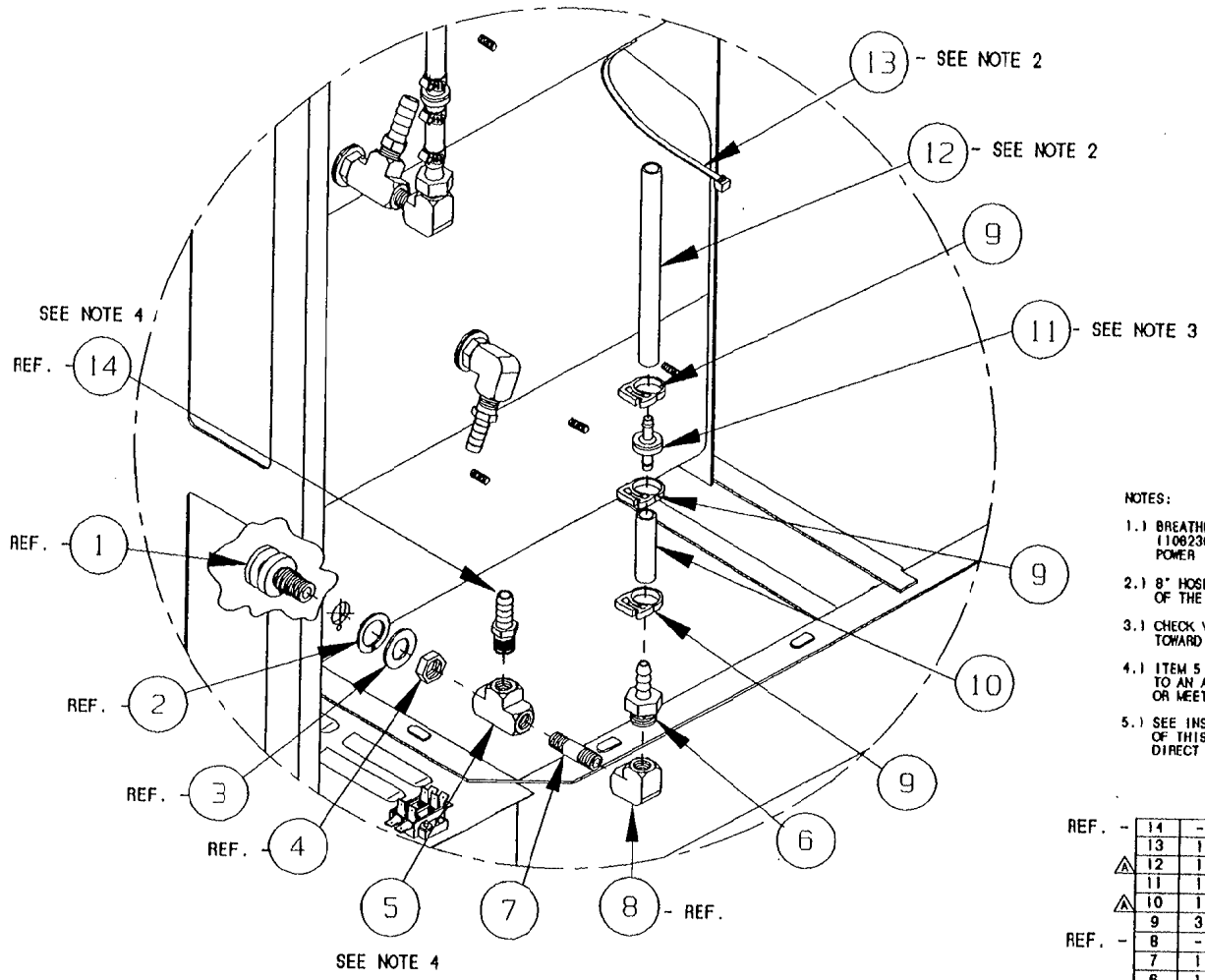
MATERIAL:  
WIRE, STAINLESS STEEL, 304  
3/16 DIA WIRE

ITEM	QTY	PART NO.	DESCRIPTION
TOLERANCES (EXCEPT AS NOTED)		<b>CLEVELAND RANGE INC.</b> 1333 East 179th St. Cleveland, Ohio 44110-2574	
DECIMAL ± .030	SCALE 1=1	DRAWN BY JPB	APPROVED BY
ANGULAR ± 1°	TITLE BRACKET, WIRE, VALVE SUPPORT		
AC	DATE 1/10/94	DRAWING NO. B-106752	REV -

THIS DESIGN DESCRIBES  
THIS DRAWING IS A

PROPRIETARY ITEM AND IS THE PROPERTY OF CLEVELAND RANGE.  
BE COPIED OR USED WITHOUT THE APPROVAL OF CLEVELAND RANGE

LET.	REVISIONS	DATE	BY
A	SEE E.D. #C-2785	12-18-94	PJD



NOTES:

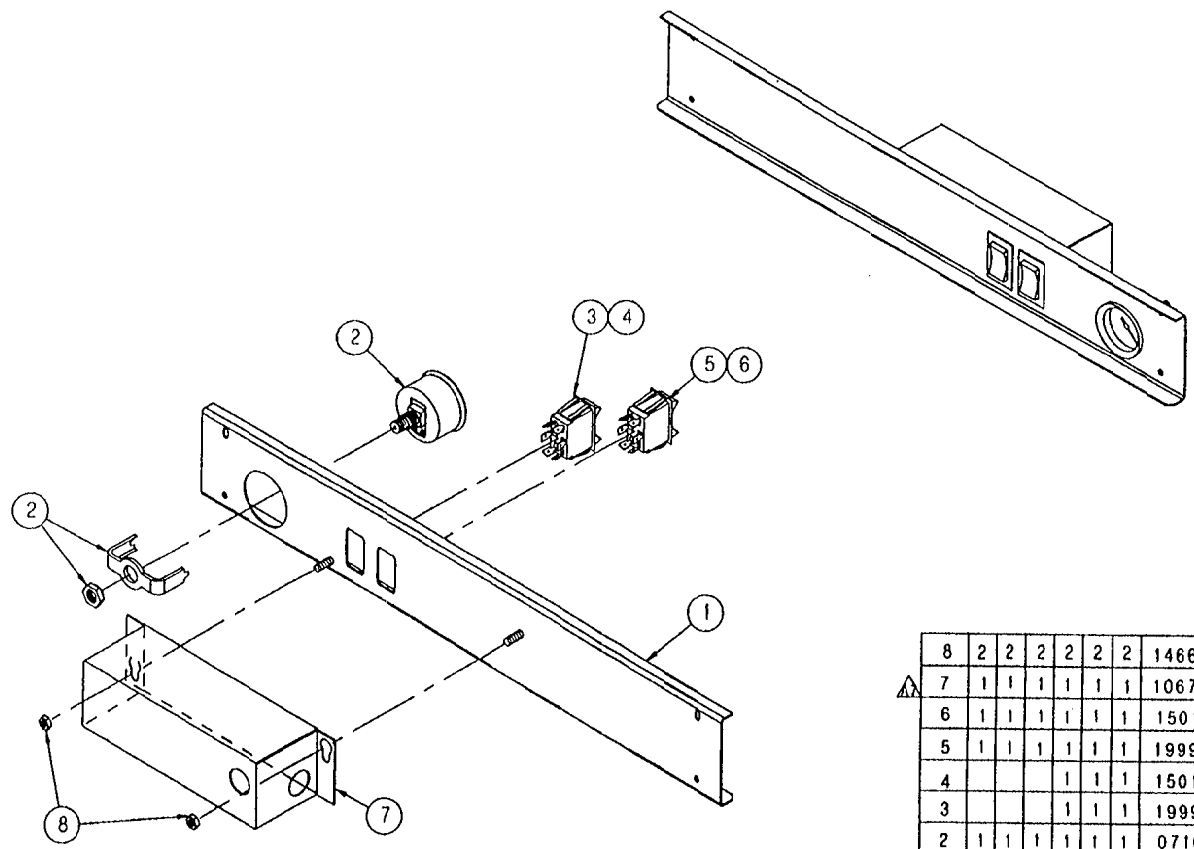
- 1.) BREATHER ASSY. (107059) TO REPLACE ONE SPRAY NOZZLE ASSY. (1108230) ONE PLACE PER CAVITY ON ALL CONVECTION, POWER 10 AND DIRECT CONNECT 10 UNITS.
- 2.) 8" HOSE IS TO BE SECURED WITH NYLON CABLE TO THE HOSE OF THE SPRAY NOZZLE ASSY. DIRECTLY ABOVE THE NEW ASSY.
- 3.) CHECK VALVE - SIDE WHICH READS "VAC" MUST FACE DOWN TOWARD HOSE BARB
- 4.) ITEM 5 (P/N 20199) AND ITEM 14 (P/N 105277) TO BE ROTATED TO AN ANGLE THAT WILL MATCH THE OTHER SPRAY NOZZLES OR MEET A MATING HOSE FITTING
- 5.) SEE INSTRUCTIONAL DRAWING 280ALC1-280ALC3 FOR INSTALLATION OF THIS ASSEMBLY INTO THE CONVECTION, POWER 10 AND DIRECT CONNECT STEAMER UNITS.

REF.	ITEM	QTY.	PART NO.	DESCRIPTION
REF.	14	-	105277	FITTING, 3/8 HOSE X 1/4 MPT
	13	1	20451	TIE, NYLON CABLE
△	12	1	1043790500	HOSE, SILICONE 1/4 ID X 1/2 OD X 5'
	11	1	107032	CHECK VALVE, PLASTIC DIAPHRAGM
△	10	1	1043790300	HOSE, SILICONE 1/4 ID X 1/2 OD X 3'
	9	3	14883	CLAMP, HOSE, NYLON
REF.	8	-	05236	ELBOW, 1/4 X 90°, BRASS
	7	1	14411	NIPPLE, 1/4 X 1.5", BRASS
	6	1	104381	FITTING, 1/4 HOSE X 1/4 MPT
	5	1	20199	TEE, 1/4 BRASS
	4	-	104081	NUT, HEX JAM 5/8-18 BRASS
	3	-	104232	WASHER, FLAT 6/S
REF.	2	-	104082	GASKET, STEAM INJECTOR
	1	-	104009	FITTING ASSY., STEAM SUPPLY
	ITEM	QTY.	PART NO.	DESCRIPTION

TOLERANCES (EXCEPT AS NOTED)			
<b>CLEVELAND RANGE INC.</b> 1333 East 179th St. Cleveland, Ohio 44110-2574			
DECIMAL ± N/A	SCALE 3/16=1	DRAWN BY DUTCHMAN	APPROVED BY
ANGULAR ± N/A	TITLE BREATHER/SPRAY NOZZLE ASSY. (3/8" HOSE) CONVECTION, POWER 10 AND D.C. 10		
CK	DATE 09-15-94	DRAWING NO. C - 107059	REV. A

THIS DESIGN DESCRIBES A PROPRIETARY ITEM AND IS THE PROPERTY OF CLEVELAND RANGE. THIS DRAWING IS NOT TO BE COPIED OR USED WITHOUT THE APPROVAL OF CLEVELAND RANGE.

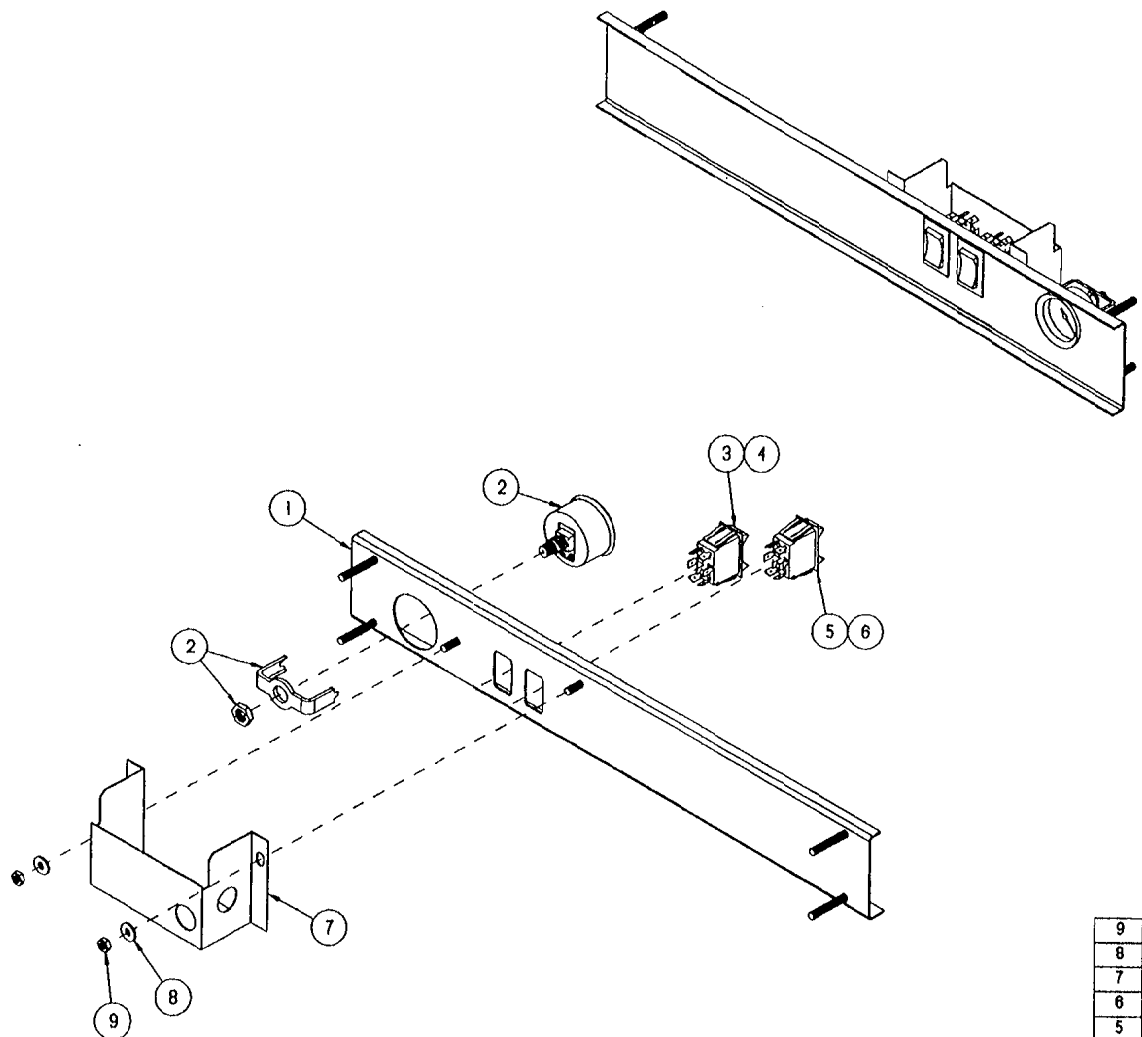
LET	REVISIONS	DATE	BY
A	DELETED P/H 23116. P/H'S REVISED:	05-19-94	EAG
-	1) 105133 WAS 1041543. 2) 105134 WAS		
-	1041544. 3) 105135 WAS 1041545.		
-	4) 1051331 WAS 104154. 5) 1051341 WAS		
-	1041541. 6) 1051351 WAS 1041542.		
-	7) P/H 106740 WAS 105516. E.O. C-2843		



	8	2	2	2	2	2	2	14665	NUT, HEX LOCK ELASTIC, 1/4-20, S/S	
▲	7	1	1	1	1	1	1	106740	BOX, SWITCH PROTECTION	
	6	1	1	1	1	1	1	15018	LABEL, POWER, CONSOLE SWITCH	
	5	1	1	1	1	1	1	19993	SWITCH, ROCKER, DPDT, ON-OFF, 6 AMP	
	4				1	1	1	15019	LABEL, STEAM-CONSOLE SWITCH	
	3				1	1	1	19994	SWITCH, ROCKER, SPST, 15 AMP	
	2	1	1	1	1	1	1	07168	GAUGE, PRESSURE, BACK MOUNT, 10 PSI	
▲				1				1051351	CONSOLE STUD ASSY, 1050 MM 1 SWITCH	
▲				1				1051341	CONSOLE STUD ASSY, 900 MM 1 SWITCH	
▲	1	1						1051331	CONSOLE STUD ASSY, 600 MM 1 SWITCH	
▲							1	105135	CONSOLE STUD ASSY, 1050 MM 2 SWITCH	
▲						1		105134	CONSOLE STUD ASSY, 900 MM 2 SWITCH	
▲				1				105133	CONSOLE STUD ASSY, 600 MM 2 SWITCH	
ITEM								QTY.	PART NO.	DESCRIPTION

104807	1048071	1048072	1048073	1048074	1048075	TOLERANCES (EXCEPT AS NOTED)		CLEVELAND RANGE INC. 1333 East 179th St. Cleveland, Ohio 44110-2574		
1	1	1	1	1	1	DECIMAL ± N/A	SCALE 3/8	DRAWN BY DUTCHMAN	APPROVED BY	
SWITCH CONTROL			2			ANGULAR ± 1°	TITLE CONSOLE ASSY, 1 & 2 SWITCH CONTROL			
						DATE 10-08-93	DRAWING NO. C - 104807 TO 16	REV. 5	A	

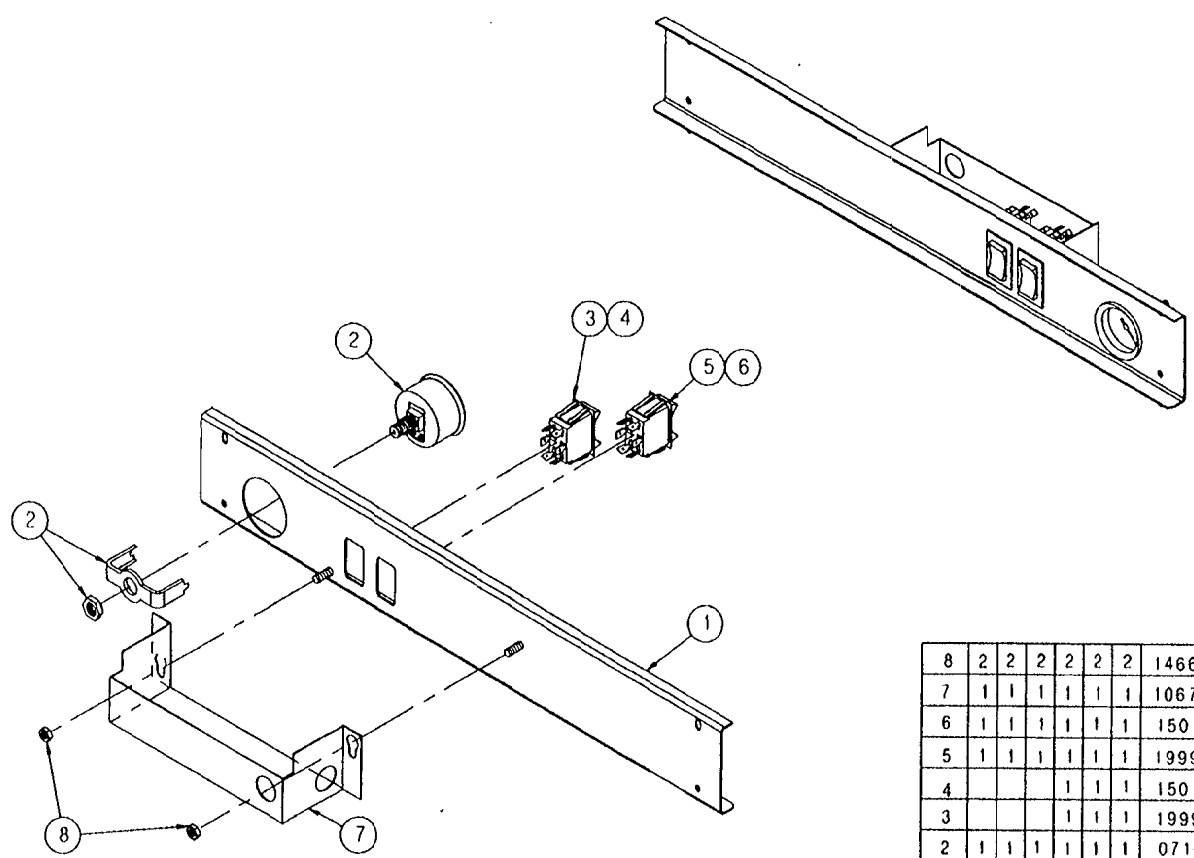
THIS DESIGN DESCRIBES A PROPRIETARY ITEM AND IS THE PROPERTY OF CLEVELAND RANGE. THIS DRAWING IS NOT TO BE COPIED OR USED WITHOUT THE APPROVAL OF CLEVELAND RANGE.



9	2	14665	NUT, HEX LOCK ELASTIC, 1/4-20, S/S
8	2	23118	WASHER, FLAT, 1/4 ID X 5/8 OD X .065
7	1	105516	BOX, SWITCH PROTECTION
6	1	15018	LABEL, POWER, CONSOLE SWITCH
5	1	19993	SWITCH, ROCKER, DPDT, ON-OFF, 8 AMP
4	1	15019	LABEL, STEAM-CONSOLE SWITCH
3	1	19994	SWITCH, ROCKER, SPST, 15 AMP
2	1	07168	GAUGE, PRESSURE, BACK MOUNT, 10 PSI
1	1	1041543	CONSOLE STUD ASSY, 900 MM 2 SWITCH
ITEM	QTY.	PART NO.	DESCRIPTION

<b>CLEVELAND RANGE INC.</b> 1333 East 179th St. Cleveland, Ohio 44110-2574			
TOLERANCES (UNLESS AS NOTED)	SCALE 3/8	DRAWN BY E. GRIVEAS	APPROVED BY NLT
DECIMAL ± N/A	TITLE CONSOLE ASSY, 800 MM, 2 SWITCH CONTROL		
ANGULAR ± 1°	DATE 10-08-93	DRAWING NO. C - 1048073	REV -

THIS DESIGN DESCRIBES A PROPRIETARY ITEM AND IS THE PROPERTY OF CLEVELAND RANGE. THIS DRAWING IS NOT TO BE COPIED OR USED WITHOUT THE APPROVAL OF CLEVELAND RANGE.



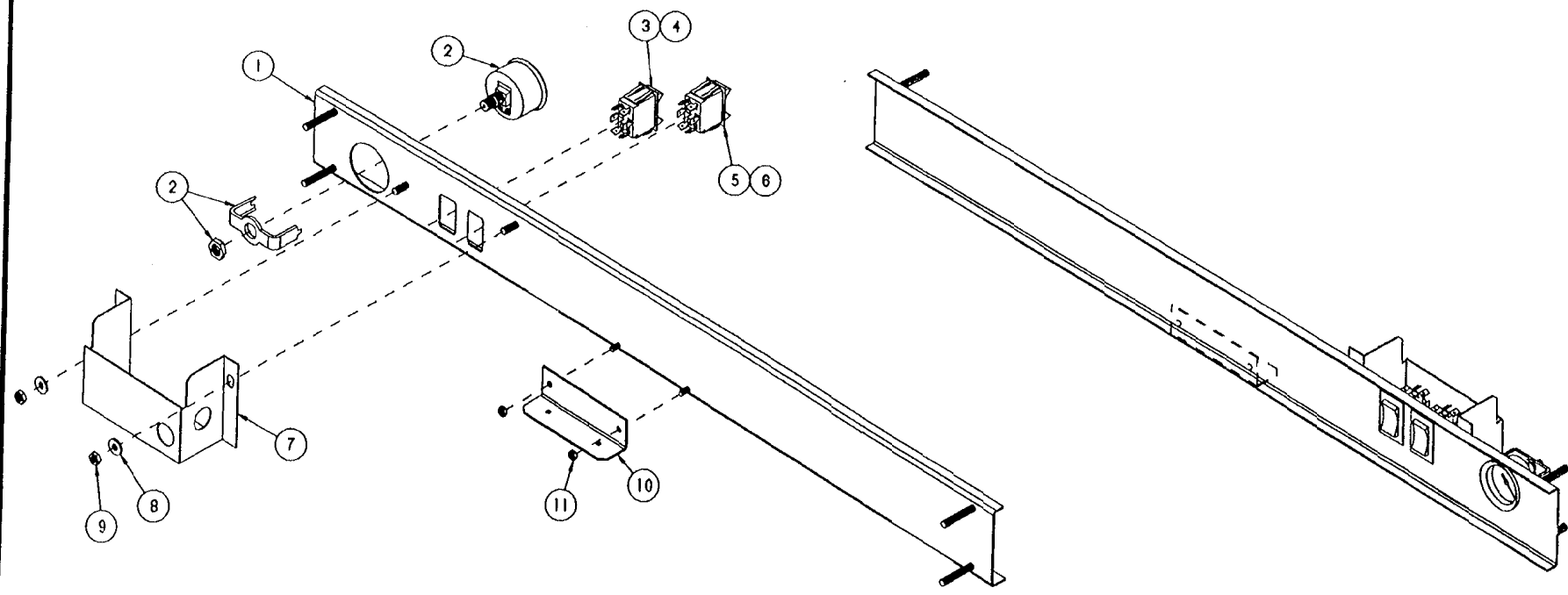
8	2	2	2	2	2	2	14665	NUT, HEX LOCK ELASTIC, 1/4-20, S/S
7	1	1	1	1	1	1	106739	BOX, SWITCH PROTECTION
6	1	1	1	1	1	1	15018	LABEL, POWER, CONSOLE SWITCH
5	1	1	1	1	1	1	19993	SWITCH, ROCKER, OPDT, ON-OFF, 6 AMP
4				1	1	1	15019	LABEL, STEAM-CONSOLE SWITCH
3				1	1	1	19994	SWITCH, ROCKER, SPST, 15 AMP
2	1	1	1	1	1	1	07168	GAUGE, PRESSURE, BACK MOUNT, 10 PSI
1			1				1051351	CONSOLE STUD ASSY, 1050 MM 1 SWITCH
		1					1051341	CONSOLE STUD ASSY, 900 MM 1 SWITCH
	1						1051331	CONSOLE STUD ASSY, 600 MM 1 SWITCH
						1	105135	CONSOLE STUD ASSY, 1050 MM 2 SWITCH
					1		105134	CONSOLE STUD ASSY, 900 MM 2 SWITCH
				1			105133	CONSOLE STUD ASSY, 600 MM 2 SWITCH
ITEM	QTY.		PART NO.		DESCRIPTION			

106193	1061931	1061932	1061933	1061934	1061935	<b>CLEVELAND RANGE INC.</b> 1333 East 179th St. Cleveland, Ohio 44110-2574		
TOLERANCES (EXCEPT AS NOTED)						SCALE	DRAWN BY	APPROVED BY
DECIMAL ± N/A						3/8	E. GRIVEAS	
ANGULAR ± 1°						TITLE CONSOLE ASSY, TABLETOP W/TR 1 & 2 SWITCH CONTROL		
1	SWITCH CONTROL	2	SWITCH CONTROL	CK		DATE	DRAWING NO.	REV
						05-19-34	C - 106193 TO 1061935	-

THIS DESIGN DESCRIBED IS THE PROPERTY OF CLEVELAND RANGE AND IS NOT TO BE COPIED OR USED WITHOUT THE APPROVAL OF CLEVELAND RANGE.

PROPRIETARY ITEM  
 CLEVELAND RANGE  
 COPIED OR USED  
 CLEVELAND RANGE.

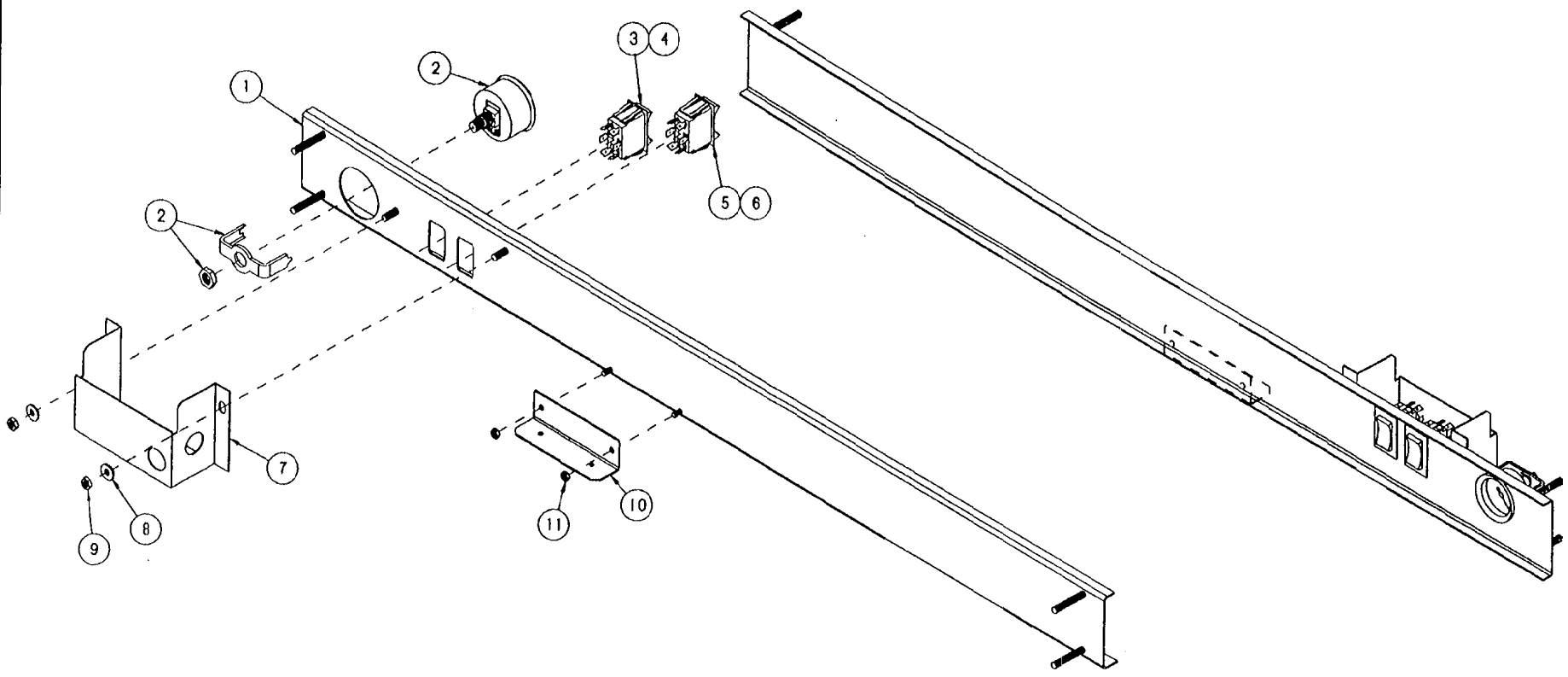




11	2	14692	NUT, HEX LOCK ELASTIC, 10-24 ZINC PL
10	1	102535	BRACKET, MAGNET MOUNT
9	2	14865	NUT, HEX LOCK ELASTIC, 1/4-20, S/S
8	2	23118	WASHER, FLAT, 1/4 ID X 5/8 OD X .085
7	1	105518	BOX, SWITCH PROTECTION
6	1	15018	LABEL, POWER, CONSOLE SWITCH
5	1	19993	SWITCH, ROCKER, DPDT, ON-OFF, 8 AMP
4	1	15019	LABEL, STEAM-CONSOLE SWITCH
3	1	19994	SWITCH, ROCKER, SPST, 15 AMP
2	1	07168	GAUGE, PRESSURE, BACK MOUNT, 10 PSI
1	1	1041544	CONSOLE STUD ASSY, 900 MM 2 SWITCH
ITEM	QTY	PART NO.	DESCRIPTION

<b>CLEVELAND RANGE INC.</b> 1333 East 179th St. Cleveland, Ohio 44110-2574			
TOLERANCES (EXCEPT AS NOTED)	SCALE	DRAWN BY	APPROVED BY
DECIMAL ± N/A	3/8	E. GRIVEAS	NLT
ANGULAR ± 1°	TITLE CONSOLE ASSY, 900 MM, 2 SWITCH CONTROL		
CK	DATE 09-20-93	DRAWING NO. C - 1048074	REV -

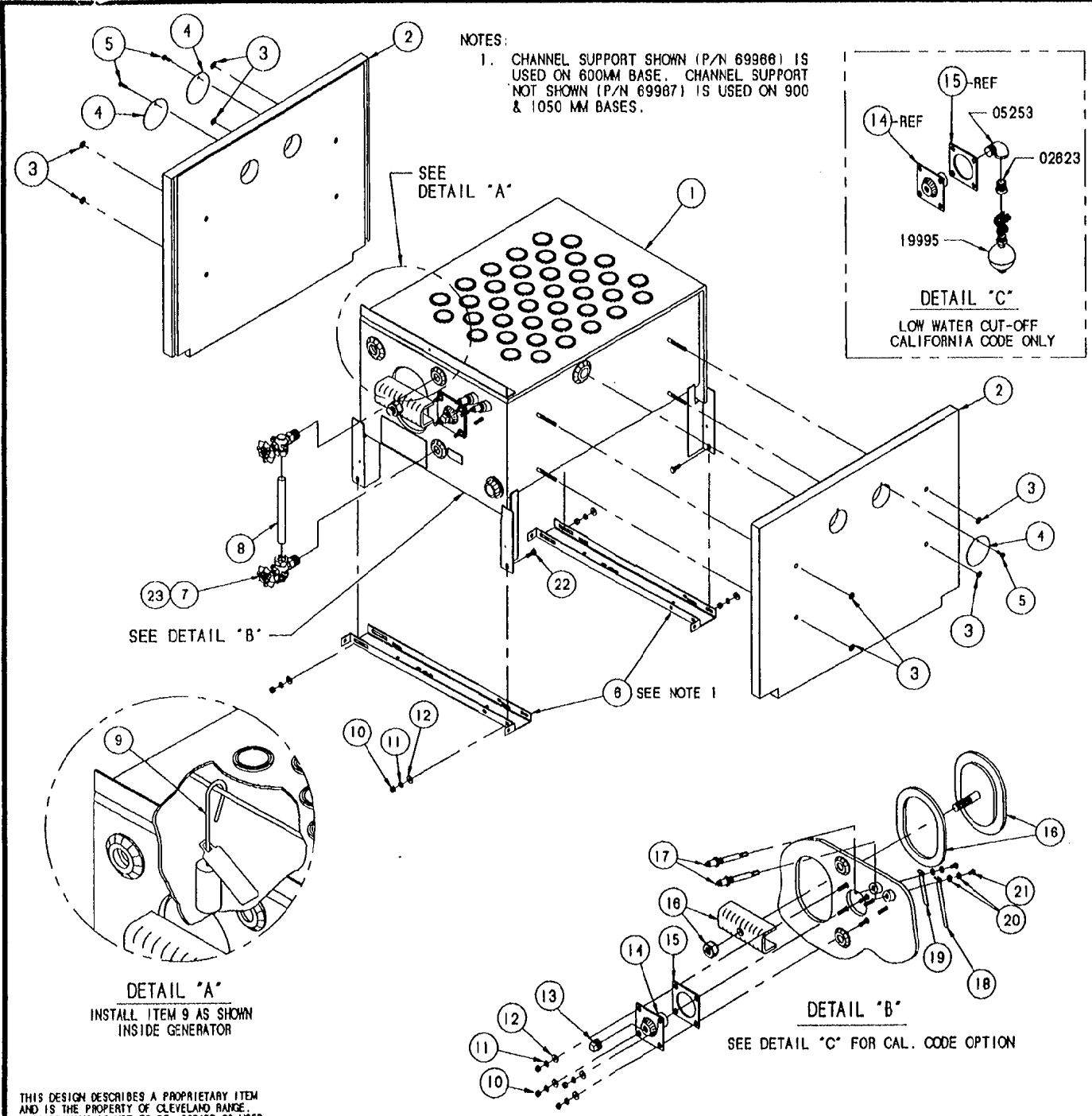
THIS DESIGN DESCRIBES A PROPRIETARY ITEM AND IS THE PROPERTY OF CLEVELAND RANGE. THIS DRAWING IS NOT TO BE COPIED OR USED WITHOUT THE APPROVAL OF CLEVELAND RANGE.



ITEM	QTY.	PART NO.	DESCRIPTION
11	2	14692	NUT, HEX LOCK ELASTIC, 10-24 ZINC PL
10	1	102535	BRACKET, MAGNET MOUNT
9	2	14665	NUT, HEX LOCK ELASTIC, 1/4-20, S/S
8	2	23116	WASHER, FLAT, 1/4 ID X 5/8 OD X .08
7	1	105510	BOX, SWITCH PROTECTION
6	1	15018	LABEL, POWER, CONSOLE SWITCH
5	1	19993	SWITCH, ROCKER, DPDT, ON-OFF, 6 AMP
4	1	15019	LABEL, STEAM-CONSOLE SWITCH
3	1	19994	SWITCH, ROCKER, SPST, 15 AMP
2	1	07168	GAUGE, PRESSURE, BACK MOUNT, 10 PSI
1	1	1041545	CONSOLE STUD ASSY, 1050 MM 2 SWITCH

TOLERANCES (EXCEPT AS NOTED)			
<b>CLEVELAND RANGE INC.</b> 1333 East 179th St. Cleveland, Ohio 44110-2574			
DECIMAL ± N/A	SCALE 3/8	DRAWN BY E. GRIVEAS	APPROVED BY MLT
ANGULAR ± 1°			
TITLE CONSOLE ASSY, 1050 MM. 2 SWITCH CONTROL			
CK	DATE 08-17-93	DRAWING NO. C - 1048075	REV -

THIS DESIGN DESCRIBES A PROPRIETARY ITEM AND IS THE PROPERTY OF CLEVELAND RANGE. THIS DRAWING IS NOT TO BE COPIED OR USED WITHOUT THE APPROVAL OF CLEVELAND RANGE.



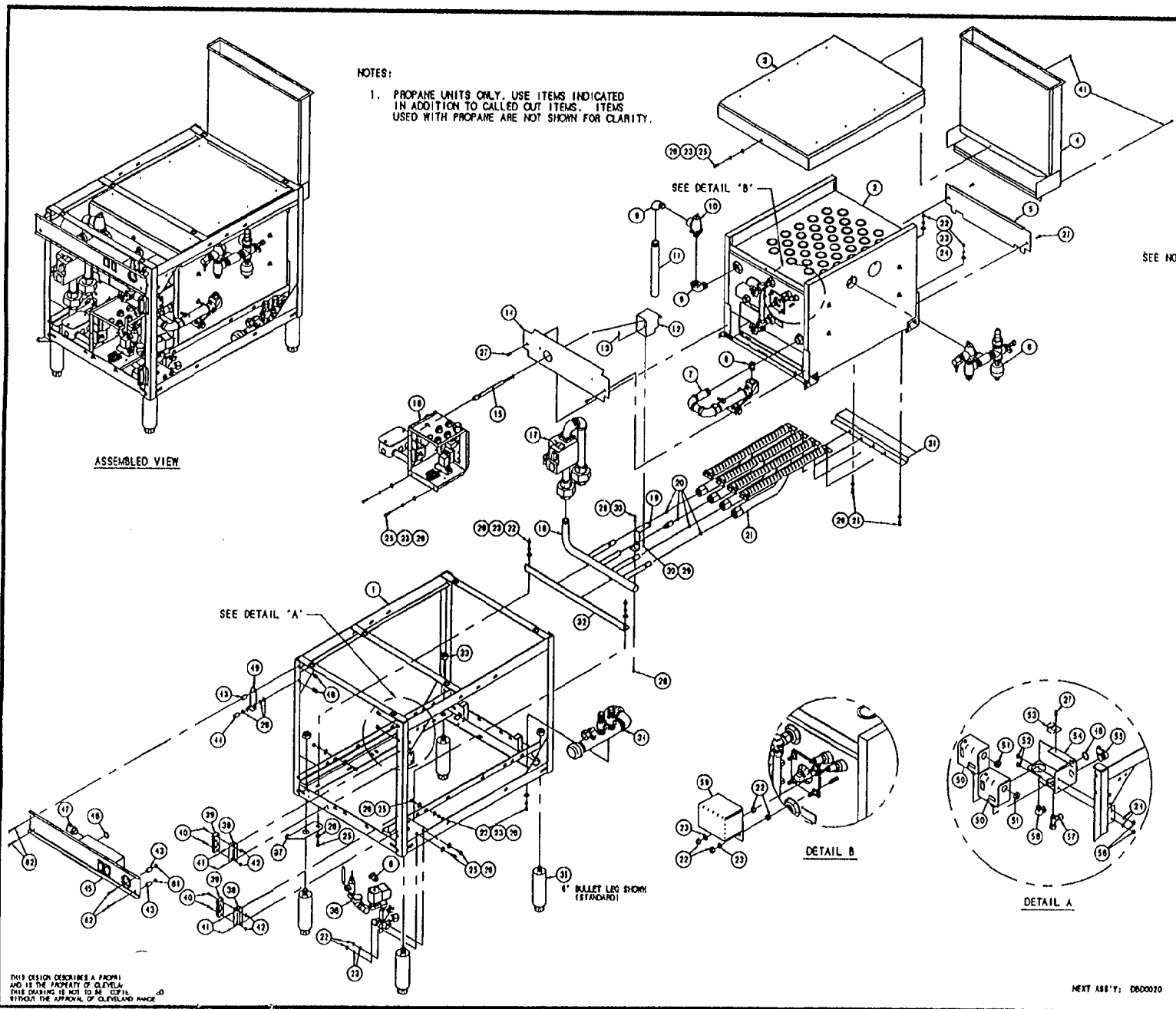
NO.	QTY.	PART NO.	DESCRIPTION
23	A/R	00934	SEALANT, RECTORSAL
22	4	19288	SCREW, HEX HEAD, 1/4-20 X 3/4
21	2	19218	SCREW, HEX HEAD, 1/4-20 X 3/8 S/S
20	4	23151	WASHER, INTERNAL TOOTH LOCK, 1/4
19	1	82452	EXTENSION, WATER PROBE 1/2 X 3-1/8
18	1	82453	EXTENSION, WATER PROBE, 1/2 X 4-5/8
17	2	18871	PROBE WARRICK, 4-5/16" LG
16	1	40421	HAND HOLE PLATE & BAR ASSM
15	1	07128	GASKET, HEATER
14	1	41943	PLATE, MOUNTING
13	1	18802	PLUG, SQUARE 1/2 PIPE, BLACK
12	8	23118	WASHER, FLAT, 1/4 S/S
11	8	23105	WASHER, SPLIT LOCK, 1/4 S/S
10	8	14818	NUT, HEX, 1/4 - 20 S/S
9	1	43895	ANODE ASSM CORROSION PREVENTATIVE
8	1	07302	GAUGE, WATER, 5/8 X 8, GLASS
7	1	07176	GAUGE, FITTINGS, WATER, 1/2"
6	-	89980	SUPPORT, GEN. MTG. CHANNEL 600MM S/S
5	3	19148	SCREW, HEX WASH HD. #10 X 1/2
4	3	105539	DISK, HOLE COVER, SIDE INSL. PANEL
3	8	14263	FASTENER, PUSHNUT, 1/4" STUD DIA.
2	-	1009802	PANEL, INSULATION ASM, RT/LT LP
1	1	100980	PANEL, INSULATION ASM, RT/LT NAT GAS
1	1	407241	GENERATOR ASSY, GAS-WELDMENT

TOLERANCES (EXCEPT AS NOTED)		CLEVELAND RANGE INC. 1333 East 179th St., Cleveland, Ohio 44110-2374		
DECIMAL ± N/A	SCALE 3/16	DRAWN BY GRIVEAS	APPROVED BY MLT	
ANGULAR ± N/A	TITLE GAS GENERATOR ASSEMBLY 3/4 BURNER, W/ REFERENCE PARTS			
DATE 08-11-93	DRAWING NO. C-407241WP		REV. -	

THIS DESIGN DESCRIBES A PROPRIETARY ITEM AND IS THE PROPERTY OF CLEVELAND RANGE. THIS DRAWING IS NOT TO BE COPIED OR USED WITHOUT THE APPROVAL OF CLEVELAND RANGE.

LET.	REVISIONS	DATE	BY
A	ADDED P/N 10044, P/N 20116 B&S	05-20-91/EG	
-	QTY(23), P/N (00199 B&S 1-10)		
-	P/N E.O. 12-2013		

NOTES:  
 1. PROPANE UNITS ONLY. USE ITEMS INDICATED IN ADDITION TO CALLED OUT ITEMS. ITEMS USED WITH PROPANE ARE NOT SHOWN FOR CLARITY.



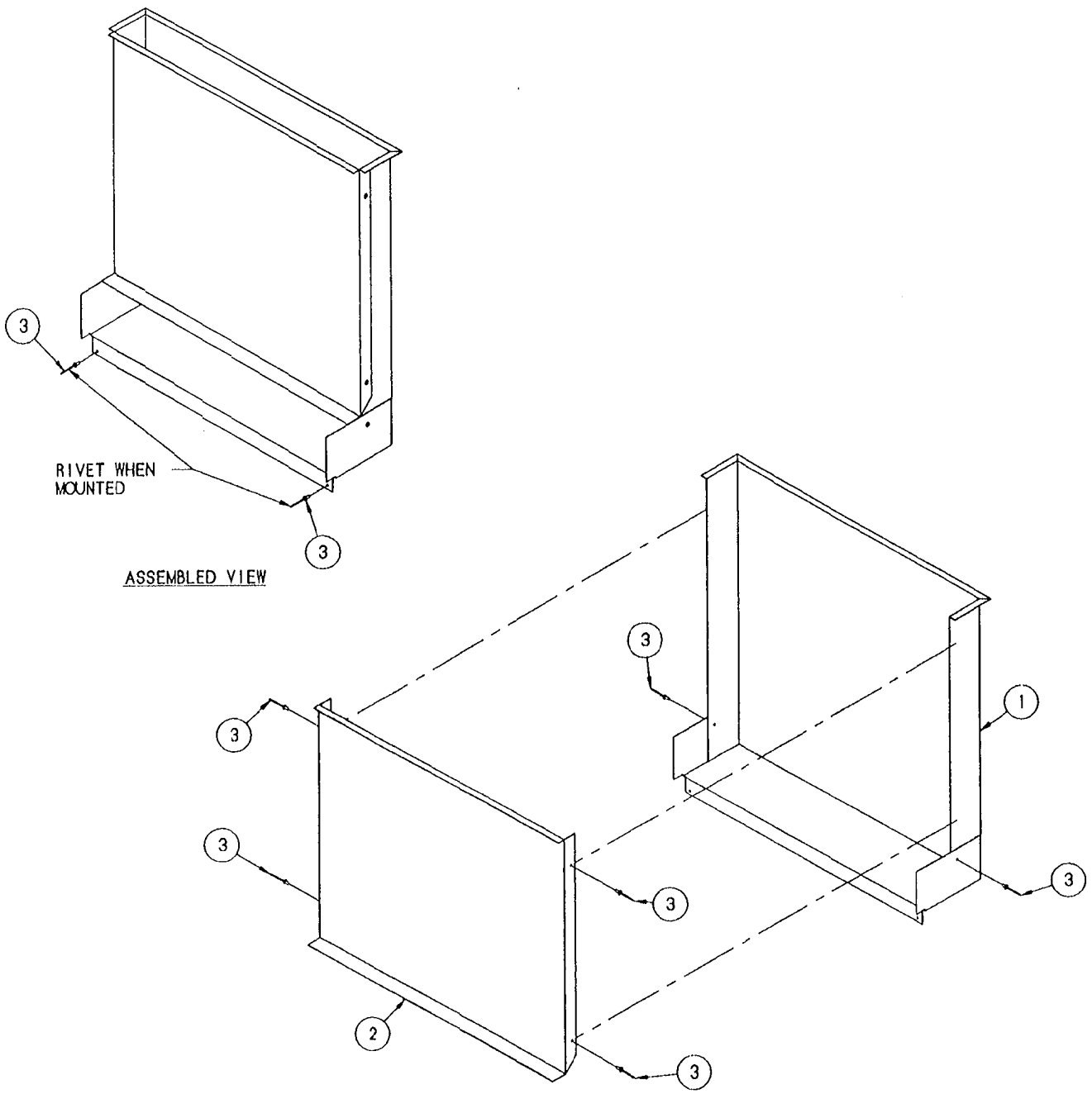
SEE NOTE 1

QTY	P/N	DESCRIPTION	
42	4	10044	SCREW, WASH. HD, TRIFL. 10-24 X 1/2
43	2	13352	SPACER, 1/8\"/>

CLEVELAND RANGE INC.			
1333 East 179th St. Cleveland, Ohio 44110-2074			
DESIGNED BY	SCALE	DRAWN BY	APPROVED BY
4 N/A	5/32=1	E	
CHECKED	TITLE	BASE ASSC	MATOR.
4 N/A	400 MM.	BTU	
DATE	DRAWING NO.	D - 01-0004	REV. A
12-2-91			

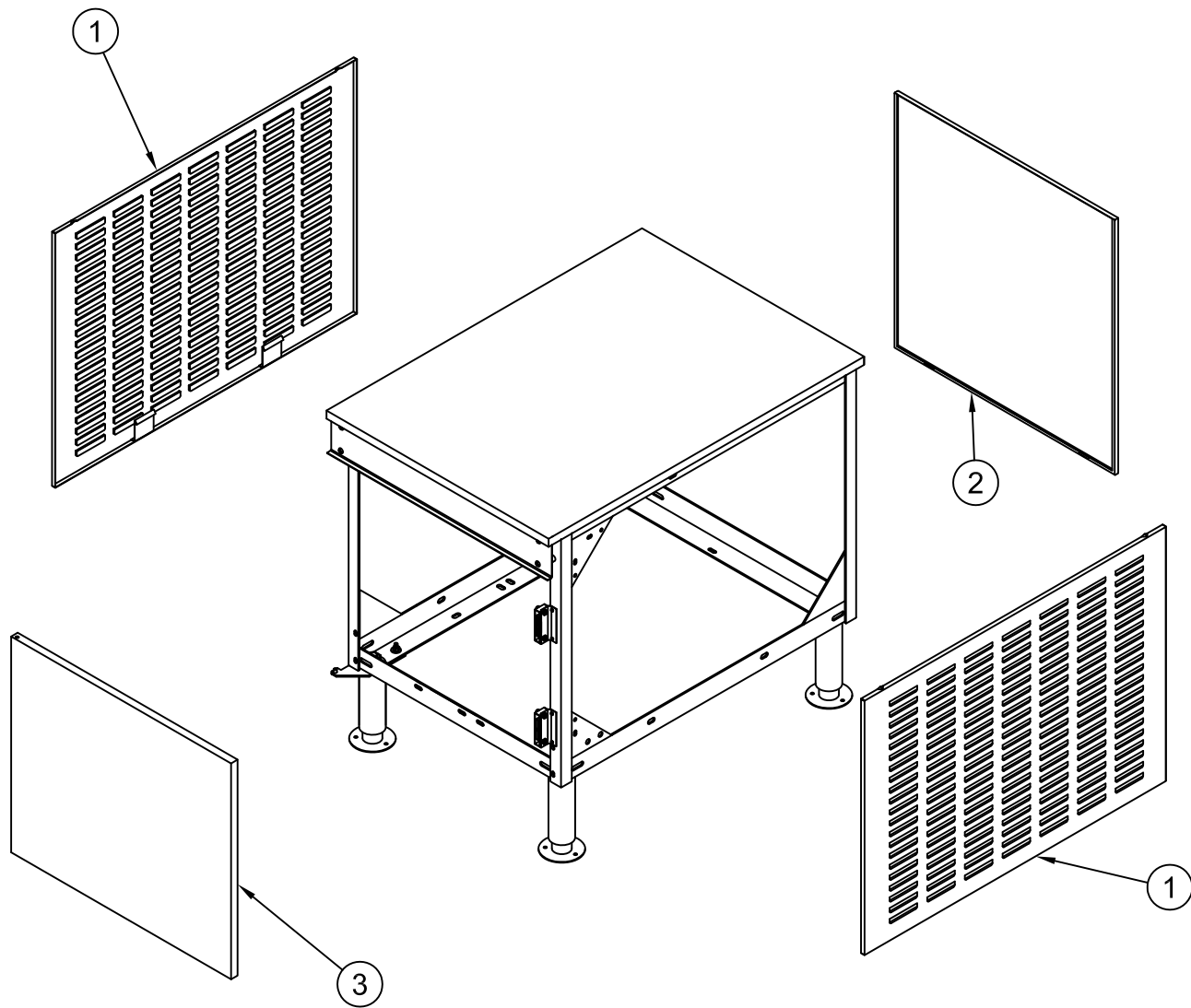
THIS DESIGN DESCRIBES A PROPANE AND IS THE PROPERTY OF CLEVELAND. THIS DRAWING IS NOT TO BE COPIED WITHOUT THE APPROVAL OF CLEVELAND RANGE.

NEXT ASSY: 0600070

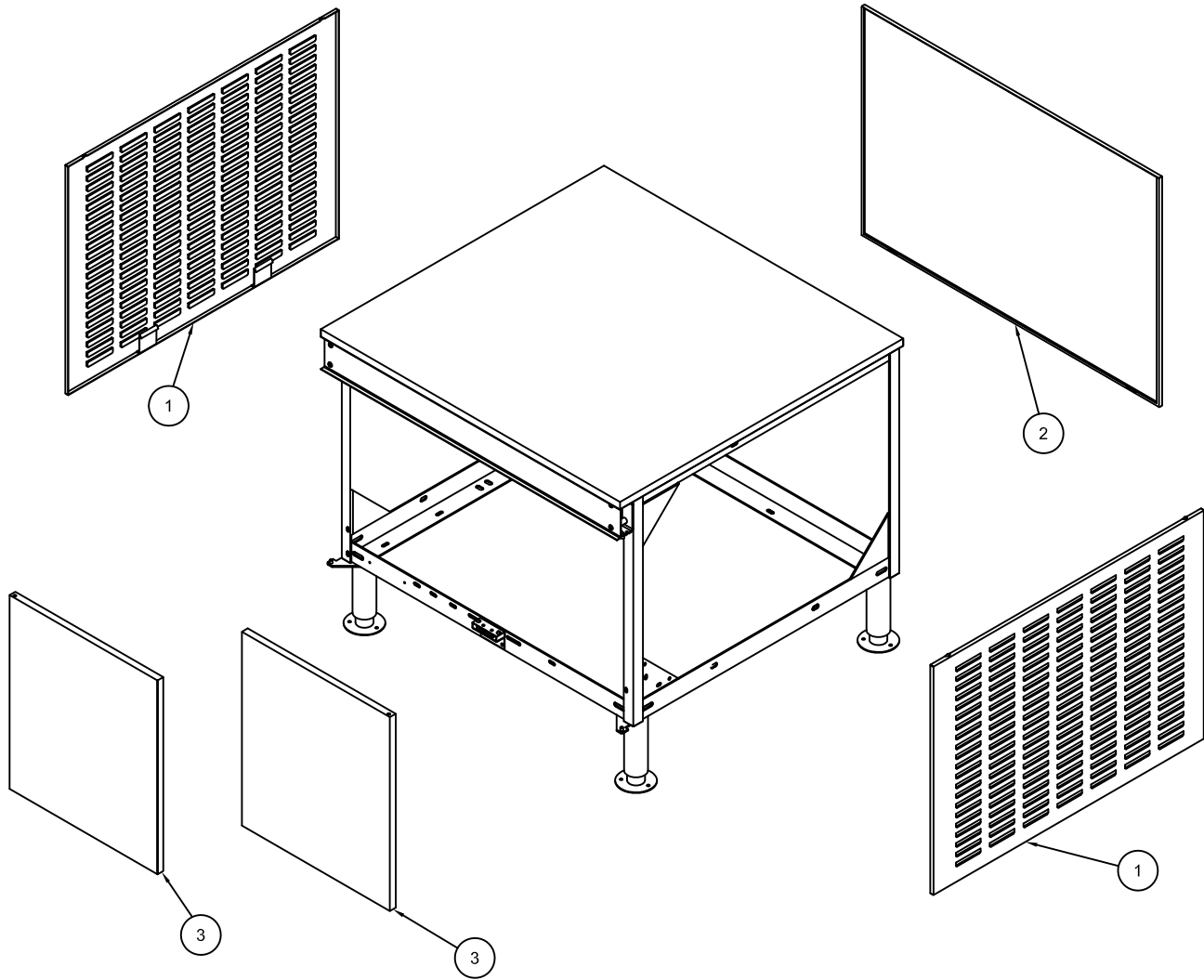


THIS DESIGN DESCRIBES A PROPRIETARY ITEM AND IS THE PROPERTY OF CLEVELAND RANGE. THIS DRAWING IS NOT TO BE COPIED OR USED

3	8	18357	RIVET, FLUSH BREAK, 1/8" DIA
2	1	101131	PANEL, FRONT, INT FLUE RISER
1	1	101132	PANEL, REAR, INT. FLUE RISER
ITEM	QTY	PART NO.	DESCRIPTION
<b>CLEVELAND RANGE INC.</b> 1339 East 179th St. Cleveland, Ohio 44110-2874			
DECIMAL	SCALE	DRAWN BY	APPROVED BY
± N/A	1/4±1	E. GRIVY	
ANGULAR	TITLE	INTERNAL	
± N/A	FLUE RISER AS	3/4 BURN.	
DATE	DRAWING NO.	REV.	
11.00.00	C - 101130		



-	1	110572	DOOR, BASE, 600MM, PRISON
3	1	110570	DOOR, BASE, 600MM
-	1	1050641	PANEL, REAR, PRISON
2	1	105064	PANEL, REAR
-	2	1015271	PANEL, SIDE, PRISON
1	2	101527	PANEL, SIDE

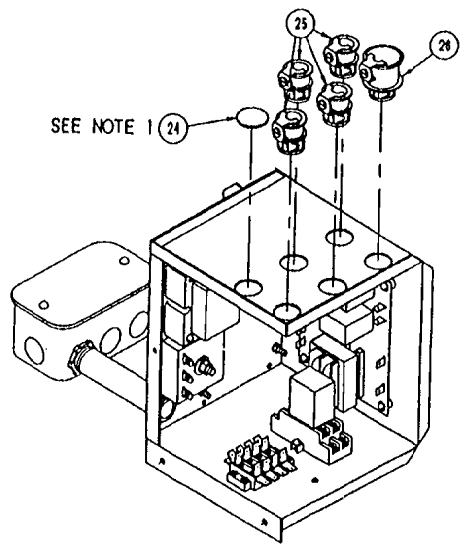


-	1	1105931	DOOR, BASE, PRISON
-	1	100595	DOOR, BASE, PRISON
3	2	110593	DOOR, BASE, 450/900MM
-	1	1050651	PANEL, REAR, PRISON
2	1	105065	PANEL, REAR
-	2	1015271	PANEL, SIDE, PRISON
1	2	101527	PANEL, SIDE

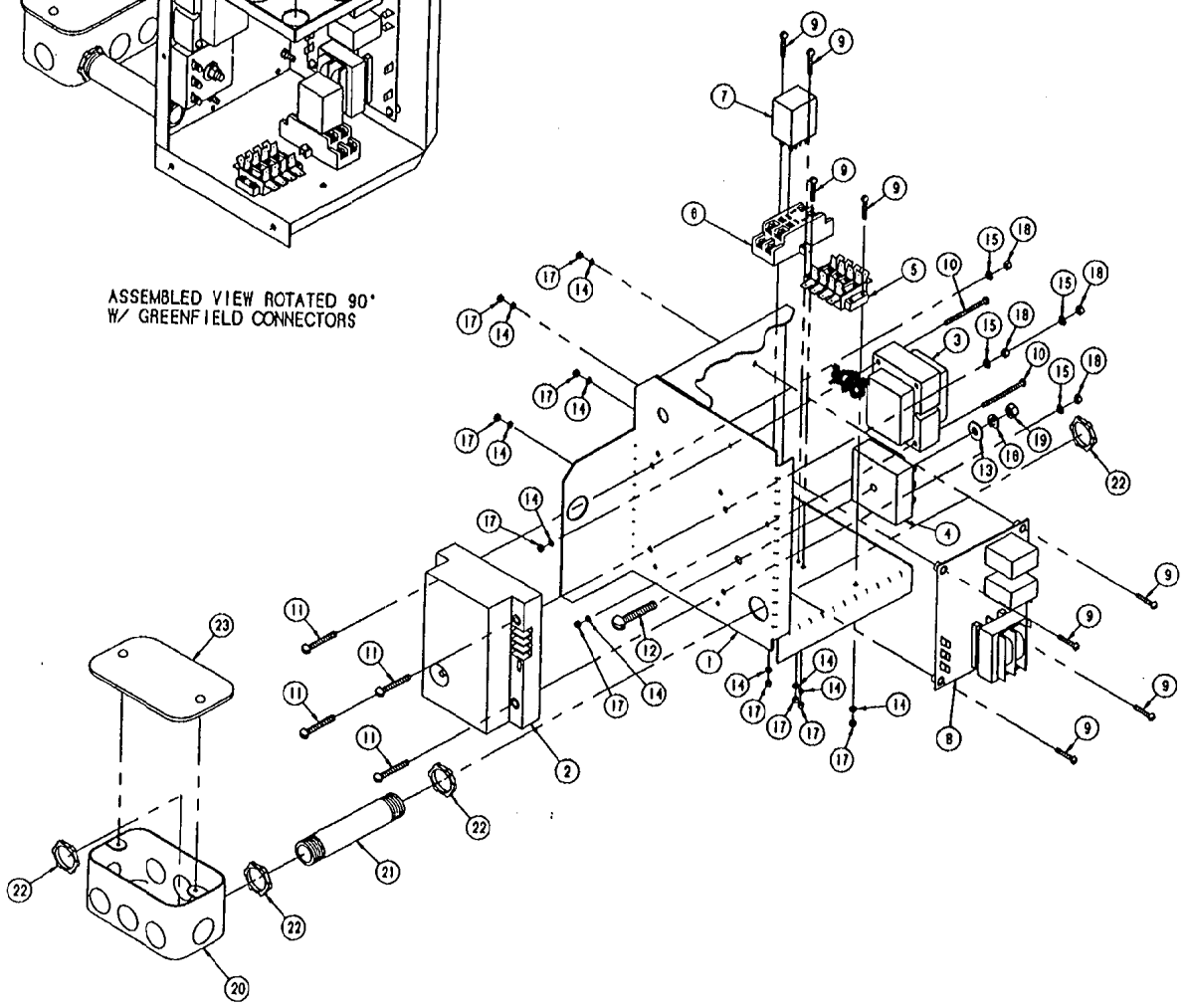
LET.	REVISIONS	DATE	BY
------	-----------	------	----

NOTES:  
 1. REMOVE P/N 19329 WHEN CAL. CODE / LWCO IS USED (SEE B.O.M. FOR APPROPRIATE CONNECTOR).

SEE NOTE 1



ASSEMBLED VIEW ROTATED 90°  
 W/ GREENFIELD CONNECTORS



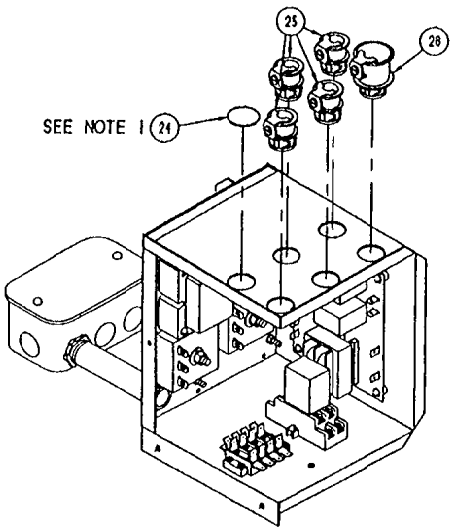
ITEM	QTY.	PART NO.	DESCRIPTION
28	1	105248	CONNECTOR, GREENFIELD, 1/2" SHAPTE
25	4	105243	CONNECTOR, GREENFIELD, 3/8" SHAPTE
24	1	19329	PLUG, SNAP-IN, 1/2" FOR 7/8" HOLE
23	1	02888	COVER, HANDI-BOX
22	4	14814	NUT, LOCK, 1/2", ELECTRICAL
21	1	14334	NIPPLE, 1/2" x 4", BLACK
20	1	02381	BOX, HANDI-BOX, ELECTRICAL
19	1	14818	NUT, HEX, 1/4"-20, S/S, FULL FINISH
18	4	14598	NUT, HEX, 8-32, ZINC PLATED
17	10	14874	NUT, HEX, 6-32, ZINC PLATED
16	1	23105	WASHER, SPLIT LOCK, 1/4", S/S
15	4	101337	WASHER, INTERNAL TOOTH LOCK, #8
14	10	23111	WASHER, INTERNAL TOOTH LOCK, #6
13	1	23116	WASHER, FLAT, 1/4" ID x .065" THK
12	1	19285	SCREW, ROUND HEAD, 1/4"-20 x 1.5", S/S
11	8	19150	SCREW, ROUND HEAD SLOTTED, 8-32 x 1.25"
10	4	19149	SCREW, ROUND HEAD SLOTTED, 6-32 x 1.75"
9	2	19163	SCREW, ROUND HEAD SLOTTED, 6-32 x .75"
8	1	23198	CONTROL, WATER LEVEL
7	1	03524	RELAY, 120 V, 30/60Hz, AC, DPDT
6	1	03525	SOCKET, RELAY
5	1	44184	TERMINAL BLOCK ASM. - 4 POLE, GAS UNITS
4	1	20478	TIMER, SOLID STATE INTERVAL, 3 MINUTE
3	1	20258	TRANSFORMER - SPARK IGNITION SUPPLY
2	1	03548	CONTROL, MODULE, DIRECT SPARK IGNITION
1	1	44139	BOX, WELDMENT, ELECTRIC FOR GAS, 2 PROBE

THIS DESIGN DESCRIBES A PROPRIETARY ITEM AND IS THE PROPERTY OF CLEVELAND RANGE. THIS DRAWING IS NOT TO BE COPIED OR USED WITHOUT THE APPROVAL OF CLEVELAND RANGE.

TOLERANCES <small>(UNLESS OTHERWISE SPECIFIED)</small>			
<b>CLEVELAND RANGE INC.</b> 1333 East 178th St. Cleveland, Ohio 44110-2374			
DECIMAL + N/A	SCALE 3/8"=1	DRAWN BY E. GRIVEAS	APPROVED BY
ANGULAR + N/A	TITLE BOX, ELECTRIC ASSEMBLY GAS - 2 PROBE		
DATE 2-15-94	DRAWING NO. C - 10092901	REV. -	

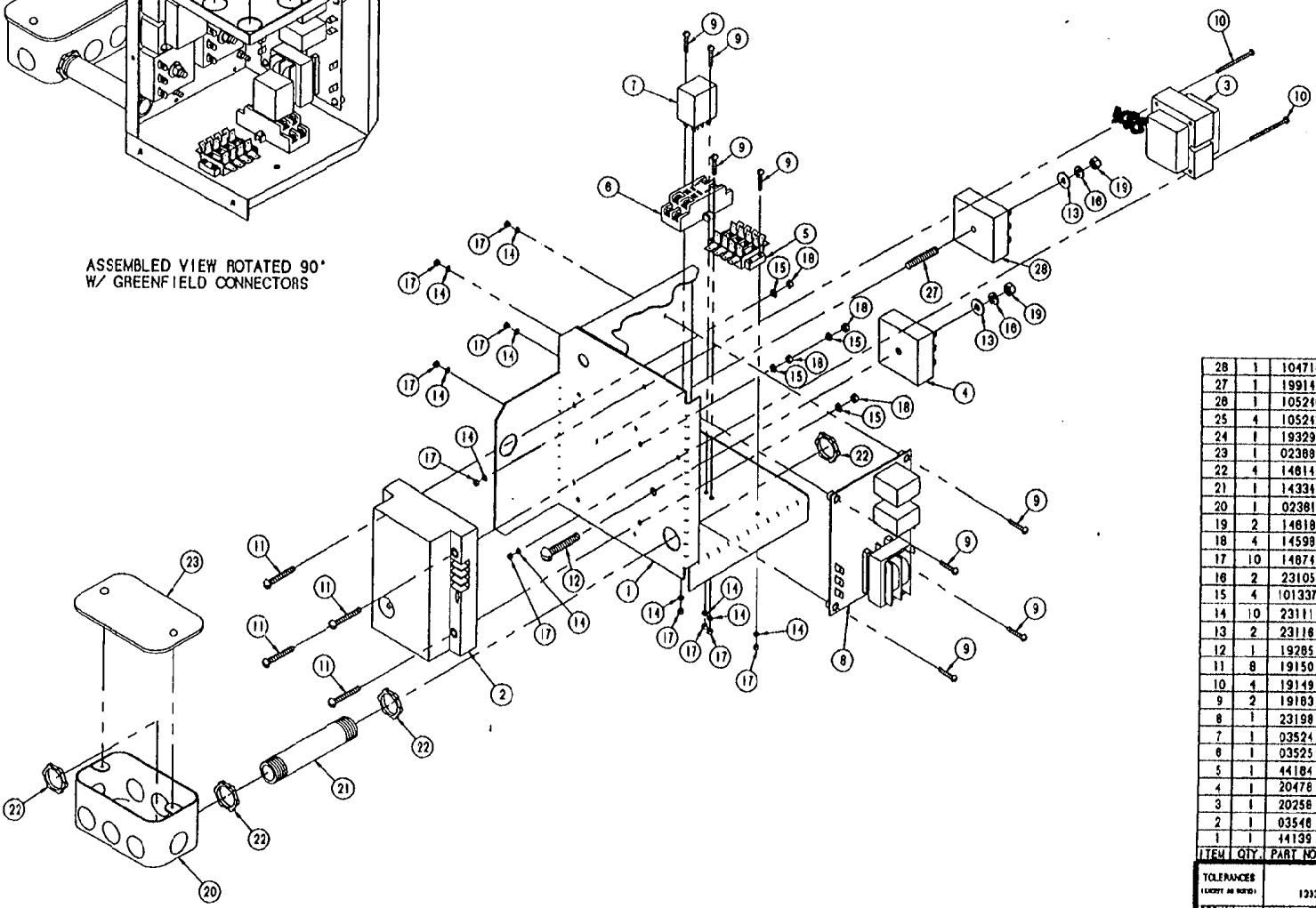


NOTES:  
 1. REMOVE P/N 19329 WHEN CAL. CODE / LWOD IS USED (SEE B.O.M. FOR APPROPRIATE CONNECTOR).



SEE NOTE 1

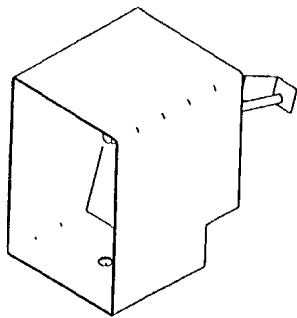
ASSEMBLED VIEW ROTATED 90°  
 W/ GREENFIELD CONNECTORS



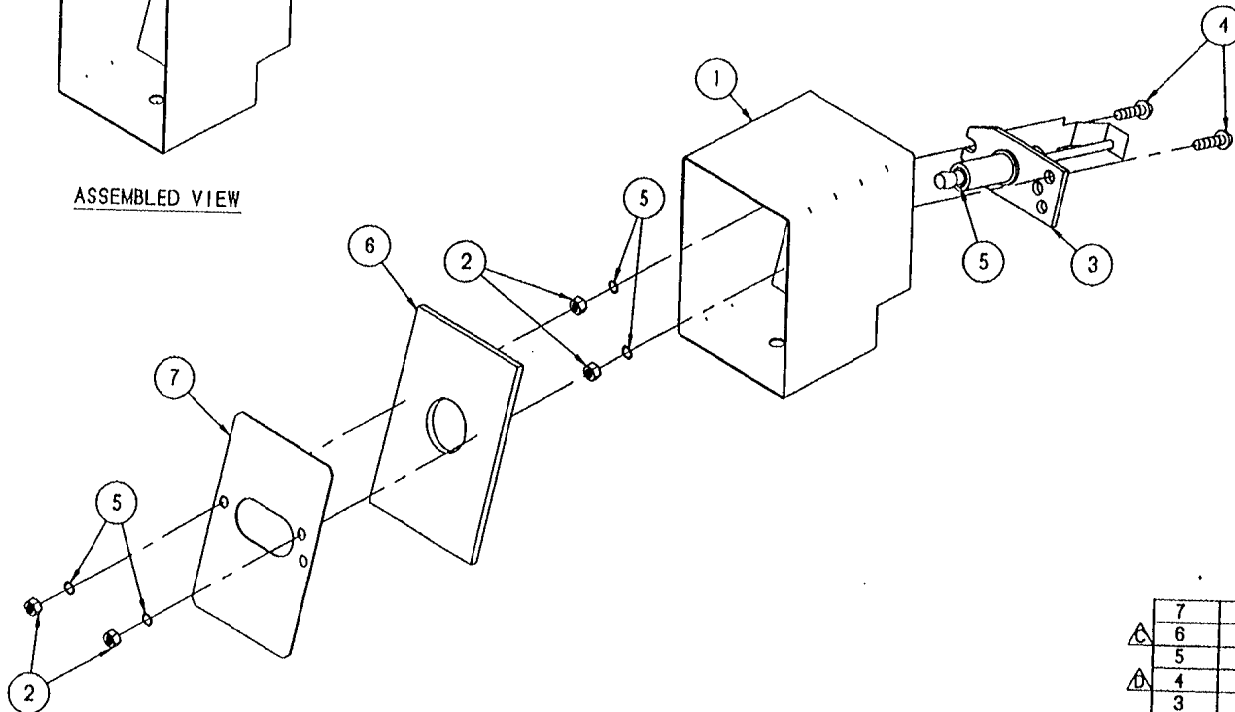
ITEM	QTY	PART NO.	DESCRIPTION
28	1	104716	TIMER, RECYCLING, GENERATOR W/BLOWDOWN
27	1	19914	STUD, WELD, STYLE F, 1/4-20 X 1-1/2, S/S
26	1	105246	CONNECTOR, GREENFIELD, 1/2" SNAP-TITE
25	4	105243	CONNECTOR, GREENFIELD, 3/8" SNAP-TITE
24	1	19329	PLUG, SNAP-IN, 1/2" FOR 7/8" HOLE
23	1	02388	COVER, HANDI-BOX
22	4	14814	NUT, LOCK, 1/2", ELECTRICAL
21	1	14334	NIPPLE, 1/2" x 4", BLACK
20	1	02381	BOX, HANDI-BOX, ELECTRICAL
19	2	14818	NUT, HEX, 1/4-20, S/S, FULL FINISH
18	4	14598	NUT, HEX, 8-32, ZINC PLATED
17	10	14874	NUT, HEX, 8-32, ZINC PLATED
16	2	23105	WASHER, SPLIT LOCK, 1/4", S/S
15	4	101337	WASHER, INTERNAL TOOTH LOCK, #8
14	10	23111	WASHER, INTERNAL TOOTH LOCK, #8
13	2	23116	WASHER, FLAT, 1/4" ID x .085" THK
12	1	19285	SCREW, ROUND HEAD, 1/4-20 x 1.5", S/S
11	8	19150	SCREW, ROUND HEAD SLOTTED, 8-32 x 1.25"
10	4	19149	SCREW, ROUND HEAD SLOTTED, 8-32 x 1.75"
9	2	19183	SCREW, ROUND HEAD SLOTTED, 8-32 x .75"
8	1	23198	CONTROL, WATER LEVEL
7	1	03524	RELAY, 120 V, 50/60Hz, AC, DPDT
6	1	03525	SOCKET, RELAY
5	1	44184	TERMINAL BLOCK ASM. - 4 POLE, GAS UNITS
4	1	20478	TIMER, SOLID STATE INTERVAL, 3 MINUTE
3	1	20258	TRANSFORMER - SPARK IGNITION SUPPLY
2	1	03548	CONTROL, MODULE, DIRECT SPARK IGNITION
1	1	44139	BOX, WELDMOUNT, ELECTRIC FOR GAS, 2 PROBE

THIS DESIGN IS A PROPRIETARY ITEM AND IS THE PROPERTY OF CLEVELAND RANGE. THIS DRAWING IS TO BE COPIED OR USED WITHOUT THE APPROVAL OF CLEVELAND RANGE.

TOLERANCES (EXCEPT AS NOTED)		CLEVELAND RANGE INC. 1233 East 175th St., Cleveland, Ohio 44110-2174	
DECIMAL	3/64	DRAWN BY	E. GRAIVEAS
ANGULAR	N/A	TITLE	BOX, ELECTRIC, AS W/INTERMITTENT BLOWDOWN, 2 PROBE
DATE	2-15-94	DRAWING NO.	C - 10092902



ASSEMBLED VIEW



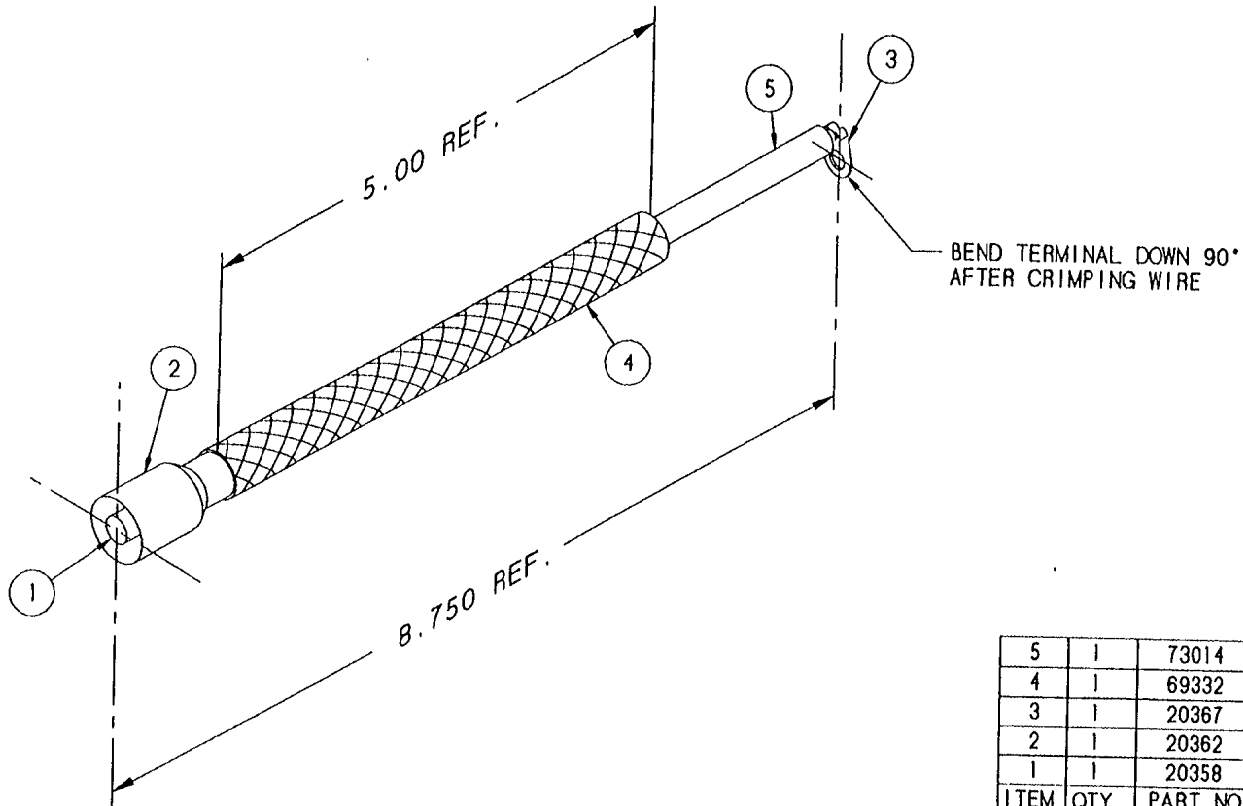
LET.	REVISIONS	DATE	BY
A	WAS C-44097	1-24-84	NEAL
B	ITEM 1 WAS C-52823, ECN 1054	3-6-86	DP
C	ADD P/N B-100314 FOR ITEM 6	3-12-86	DP
D	REDRAW WAS C SIZE, P/N 19163 WAS 19259, E.O. # C-2558	2-7-94	EAG

ITEM	QTY.	PART NO.	DESCRIPTION
7	1	88149	RETAINER, INSULATION
6	1	100314	INSULATION, IGNITOR BOX
5	5	23111	WASHER, LOCK, INTERNAL TOOTH, #6
4	2	19163	SCREW, #8-32 x .75" LG.
3	1	05101	ELECTRODE, COMBINATION IGNITOR/SENSOR
2	4	14674	NUT, #8-32, HEX
1	1	52808	BOX, IGNITOR, GEN. GAS, 2 PROBE

TOLERANCES (EXCEPT AS NOTED)		CLEVELAND RANGE INC. 1333 East 179th St. Cleveland, Ohio 44110-2574	
DECIMAL ± N/A	SCALE 5/8=1	DRAWN BY E. LAWRENCE	APPROVED BY E. HENDESS
ANGULAR ± N/A	TITLE BOX ASM, IGNITOR		
CK	DATE 12-6-94	DRAWING NO. B - 44096	REV. D

THIS DESIGN DESCRIBES A PROPRIETARY ITEM AND IS THE PROPERTY OF CLEVELAND RANGE. THIS DRAWING IS NOT TO BE COPIED OR USED WITHOUT THE APPROVAL OF CLEVELAND RANGE.

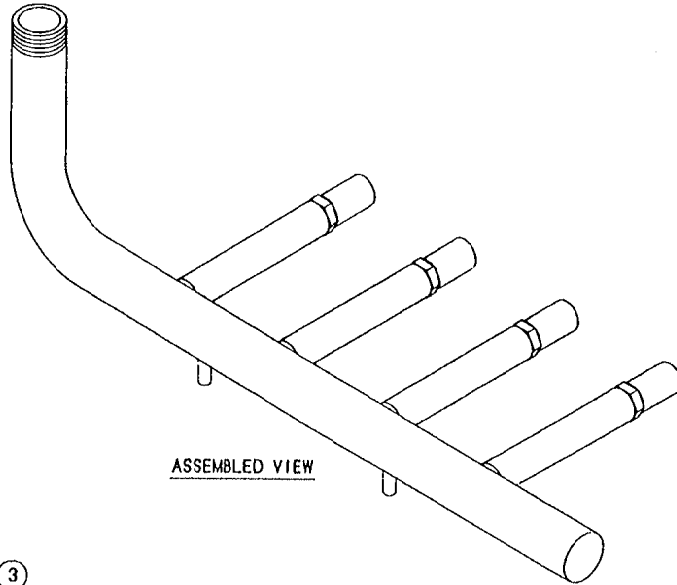
LET.	REVISIONS	DATE	BY
------	-----------	------	----



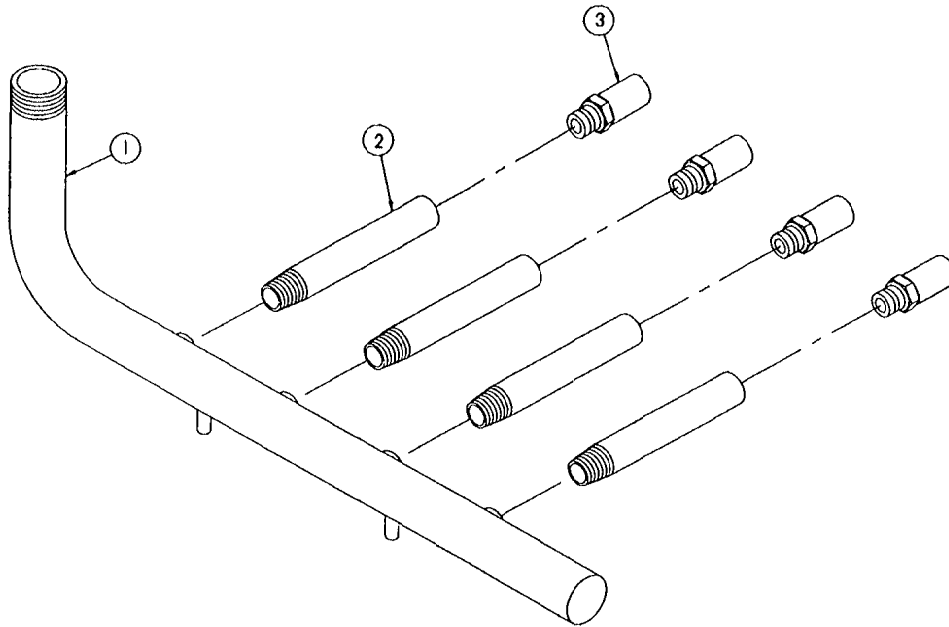
ITEM	QTY.	PART NO.	DESCRIPTION
5	1	73014	WIRE, RADIX, 9" LONG
4	1	69332	SLEEVE, FIBERGLASS 5" INSULATING
3	1	20367	TERMINAL RING-#6, NON-INSULATED
2	1	20362	INSULATOR, RED SILICONE
1	1	20358	TERMINAL, IGNITION CABLE

TOLERANCES (EXCEPT AS NOTED)		CLEVELAND RANGE INC. 1333 East 179th St. Cleveland, Ohio 44110-2574	
DECIMAL ± N/A	SCALE 1=1	DRAWN BY E. GRIVEAS	APPROVED BY
ANGULAR ± N/A	TITLE CABLE, IGNITION ASSEMBLY		
CK	DATE 11-09-93	DRAWING NO. B 1169	REV. -

THIS DESIGN DESCRIBES A PROPRIETARY ITEM AND IS THE PROPERTY OF CLEVELAND RANGE. THIS DRAWING IS NOT TO BE COPIED OR USED WITHOUT THE APPROVAL OF CLEVELAND RANGE.



ASSEMBLED VIEW

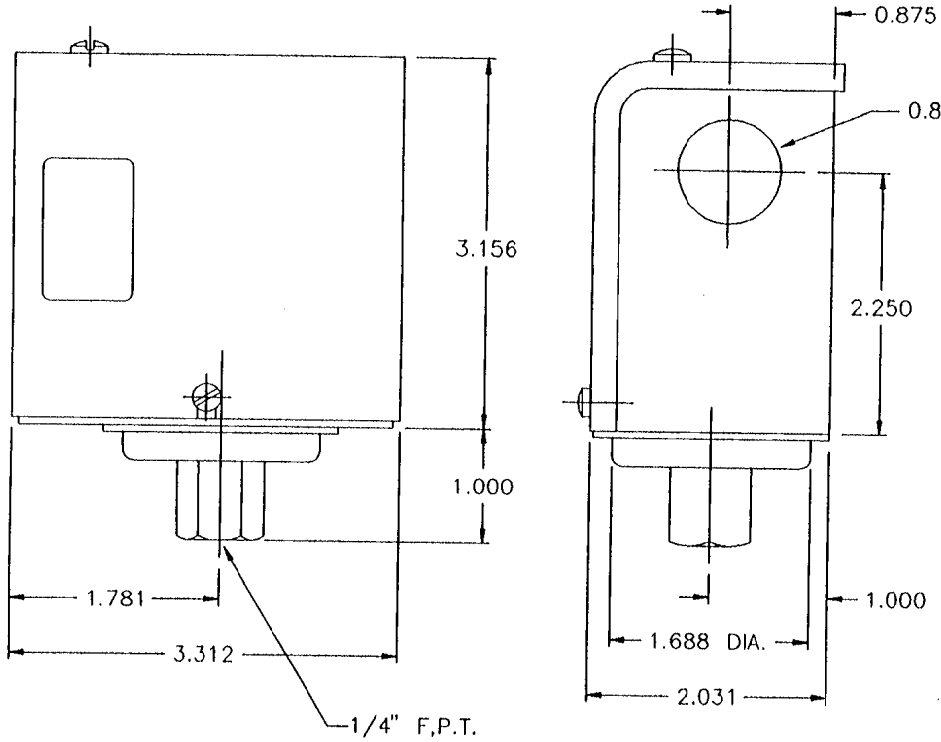


3	4	19832	SPUDS, ORIFICE HOLDER, 5/8"
2	4	83180	EXTENSION, GAS MANIFOLD
1	1	83177	MANIFOLD, TUBE, 4 BURNER, GAS
ITEM	QTY.	PART NO.	DESCRIPTION

<b>CLEVELAND RANGE INC.</b> 1333 East 178th St., Cleveland, Ohio 44110-2374			
TOLERANCES (EXCEPT AS NOTED)	SCALE 5/8"=1	DRAWN BY E. GRIVEAS	APPROVED BY
DECIMAL ± N/A	ANGULAR ± N/A	TITLE MANIFOLD, ASSM, R/B 4 BURNER, GAS, 200 KBTU	
CK	DATE 11-10-93	DRAWING NO. C - 40920	REV. -

THIS DESIGN DESCRIBES A PROPRIETARY ITEM AND IS THE PROPERTY OF CLEVELAND RANGE. THIS DRAWING IS NOT TO BE COPIED OR USED WITHOUT THE APPROVAL OF CLEVELAND RANGE.

LET.	REVISIONS	DATE	BY
A	REVISED ADJ. OPERATING RANGE SPEC.	11-28-84	RMC
-	WAS: 0.5 TO 9 PSI,	-	-
B	WAS: ADDITIVE DIFFERENTIAL	07-07-86	TS
C	WAS: ADJ. DIFFERENTIAL: 1 TO 5 PSI, E.O. #C-2276	07-31-92	DJP
D	MODEL NO. WAS PA404A (SUBTRACTIVE DIFFERENTIAL)	10-13-92	NLT
	E.O. #2276R1		



SPECIFICATIONS:

PRESSURE ACTUATED HIGH LIMIT SAFETY CONTROL FOR STEAM HEATING BOILERS.  
 BREAKS AN ELECTRICAL CIRCUIT ON PRESSURE RISES.  
 MAX. OPERATING PRESSURE: 20 PSI  
 MAX. AMBIENT TEMPERATURE: 150° F.  
 ELECTRICAL RATING: 8.0 F.L.A. AT 120V. AC  
 SWITCH: PRESSURE ACTUATED SPST, SNAP-ACTION  
 ADJUSTMENT MEANS: OPERATING RANGE SET POINT-SCREW ON TOP OF CASE; DIFFERENTIAL SET POINT-DIAL INSIDE OF CASE.  
 ADJUSTABLE OPERATING RANGE: 3 TO 15 PSI.  
 ADJUSTABLE DIFFERENTIAL: 1 TO 5 PSI; FACTORY SET AT 1 PSI  
 SWITCH ACTION ON PRESSURE FALL: MAKES AT SET POINT MINUS DIFFERENTIAL.  
 SWITCH ACTION ON PRESSURE RISE: BREAKS AT SET POINT.  
 MOUNTING MEANS: 1/4" FEMALE PIPE THREADS

Ⓐ  
 Ⓑ  
 Ⓒ

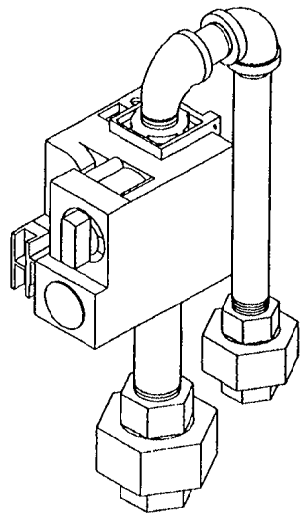
APPROVED SOURCE

- HONEYWELL  
 MODEL NO. PA404A-1066 Ⓓ  
 U.L. FILE NO. MP466  
 C.S.A. FILE NO. LR1620

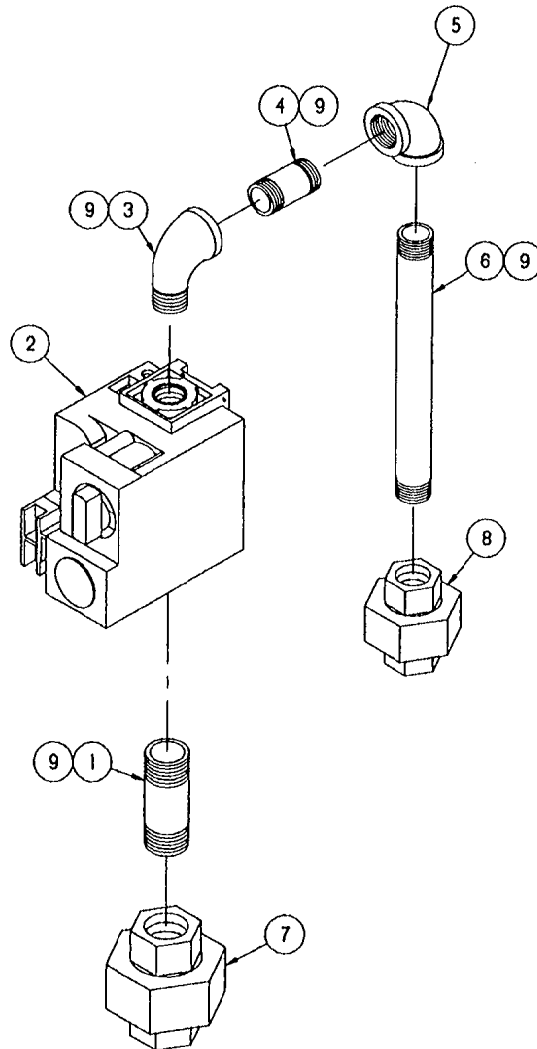
ITEM	QTY	PART NO.	DESCRIPTION
TOLERANCES (EXCEPT AS NOTED)		<b>CLEVELAND RANGE INC.</b> 1333 East 179th St. Cleveland, Ohio 44110-2574	
DECIMAL ± -	SCALE 1=1	DRAWN BY RJB	APPROVED BY
ANGULAR ± 1°	TITLE CONTROL, PRESSURE		
AC	DATE 09-08-76	DRAWING NO. B-19947	REV n

THIS DESIGN DRAWING IS A PROPRIETARY ITEM AND IS THE PROPERTY OF CLEVELAND RANGE. THIS DRAWING IS NOT TO BE COPIED OR USED WITHOUT THE APPROVAL OF CLEVELAND RANGE.

LET.	REVISIONS	DATE	BY
------	-----------	------	----



ASSEMBLED VIEW



ITEM	QTY.	PART NO.	DESCRIPTION
9	A/R	00934	SEALANT, RECTORSEAL
8	1	21302	UNION, BLACK, 1/2"
7	1	21305	UNION, 3/4", BLACK
6	1	14340	NIPPLE, 1/2" x 7.5" LG., BLACK
5	1	05249	ELBOW, 1/2", 90°, BLACK
4	1	14325	NIPPLE, 1/2" x 1-1/2", BLACK
3	1	05252	ELBOW, STREET, 90°, 1/2"
2	1	22228	VALVE, GAS CONTROL, NATURAL GAS
1	1	14345	NIPPLE, 3/4" x 2-1/2", BLACK

TOLERANCES  
(EXCEPT AS NOTED)

DECIMAL  
± N/A  
ANGULAR  
± N/A

**CLEVELAND RANGE INC.**  
1333 East 179th St. Cleveland, Ohio 44110-2574

SCALE 3/8=1  
DRAWN BY E. GRIVEAS  
APPROVED BY NLT

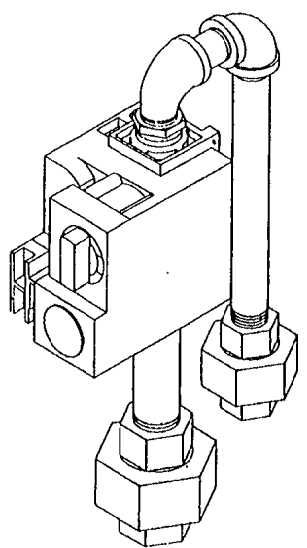
TITLE  
VALVE ASSEMBLY,  
NATURAL GAS- 100/200 BTU

DATE 11-08-93  
DRAWING NO. B - 43663  
REV. -

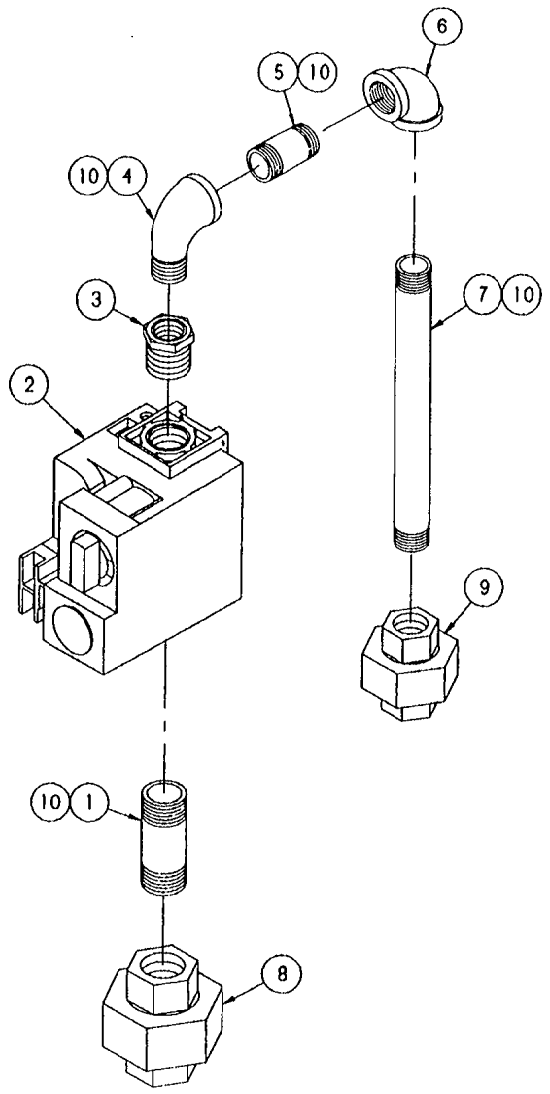
THIS DESIGN DESCRIBES A PROPRIETARY ITEM AND IS THE PROPERTY OF CLEVELAND RANGE. THIS DRAWING IS NOT TO BE COPIED OR USED WITHOUT THE APPROVAL OF CLEVELAND RANGE.

CK

LET.	REVISIONS	DATE	BY
------	-----------	------	----



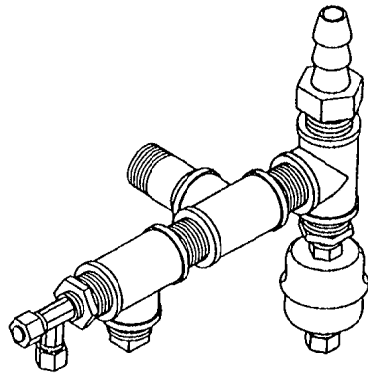
ASSEMBLED VIEW



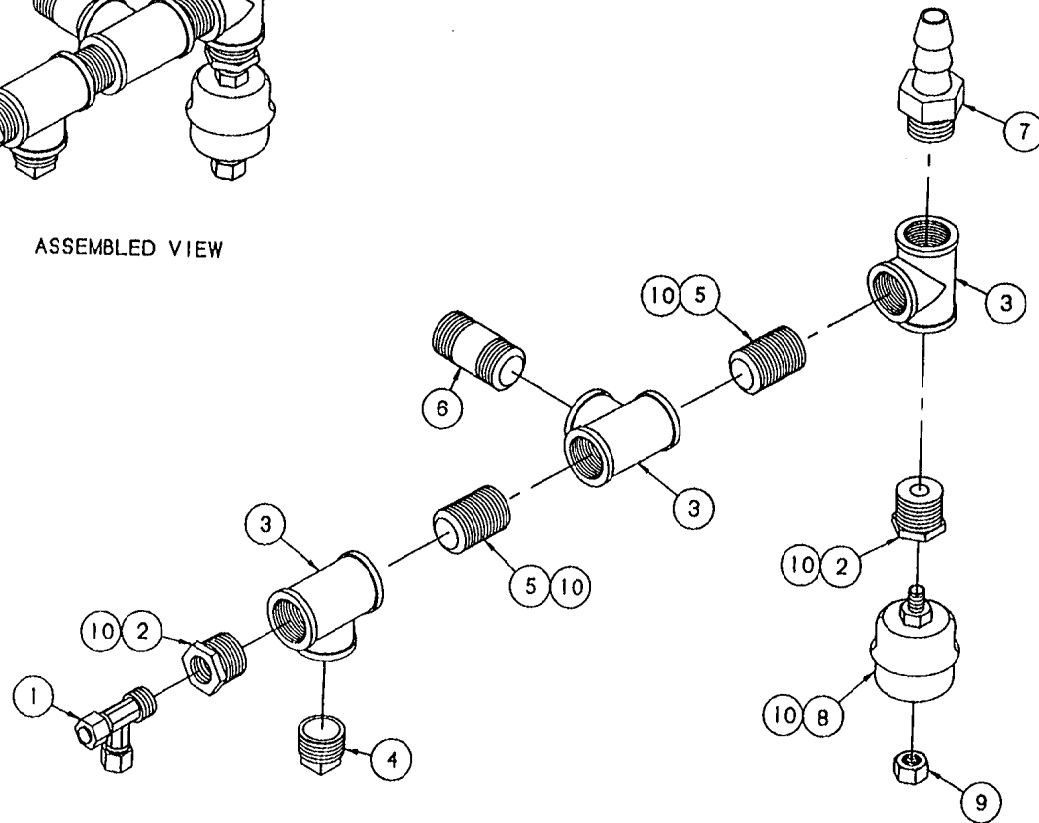
ITEM	QTY.	PART NO.	DESCRIPTION
10	A/R	00934	SEALANT, RECTORSEAL
9	1	21302	UNION, BLACK, 1/2"
8	1	21305	UNION, 3/4", BLACK
7	1	14340	NIPPLE, 1/2" x 7.5" LG., BLACK
6	1	05249	ELBOW, 1/2", 90°, BLACK
5	1	14325	NIPPLE, 1/2" x 1-1/2", BLACK
4	1	05252	ELBOW, STREET, 90°, 1/2", BLACK
3	1	02565	BUSHING, HEX, 3/4 X 1/2, BLACK
2	1	22231	VALVE, GAS CONTROL, FOR LP
1	1	14345	NIPPLE, 3/4" x 2-1/2", BLACK

TOLERANCES (EXCEPT AS NOTED)		<b>CLEVELAND RANGE INC.</b> 1333 East 179th St. Cleveland, Ohio 44110-2574	
DECIMAL ± N/A	SCALE 3/8=1	DRAWN BY E. GRIVEAS	APPROVED BY NLT
ANGULAR ± N/A	TITLE VALVE ASSEMBLY, LIQUID PROPANE 100/200 BTU		
CK	DATE 11-08-93	DRAWING NO. B - 436	REV. -

THIS DESIGN DESCRIBES A PROPRIETARY ITEM AND IS THE PROPERTY OF CLEVELAND RANGE. THIS DRAWING IS NOT TO BE COPIED OR USED WITHOUT THE APPROVAL OF CLEVELAND RANGE.



ASSEMBLED VIEW

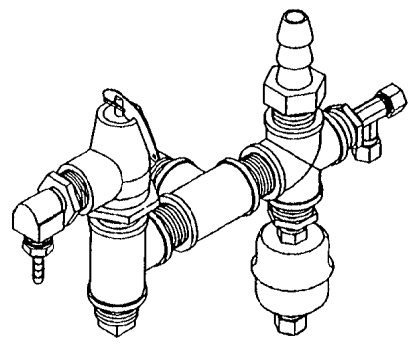


ITEM	QTY.	PART NO.	DESCRIPTION
10	A/R	00934	SEALANT, RECTORSEAL
9	1	14681	MUT, COMPRESSION, 1/4 TUBE, BRASS
8	1	101207	TRAP, THERMOSTATIC, 1/4" X 1/4"
7	1	06240	FITTING, HOSE BARB 3/4 HOSE X 3/4 MPT BRASS
6	1	14431	NIPPLE, 3/4 X 2, BRASS
5	2	14342	NIPPLE, 3/4 X CLOSE, BRASS
4	1	16807	PLUG, SQUARE HEAD, 3/4, BRASS
3	3	20208	TEE, 3/4 BRASS
2	2	02563	BUSHING, REDUCING, 3/4 X 1/4, BRASS
1	1	100883	FITTING, COMPR., TEE 3/8T X 3/8MPT X 3/8T

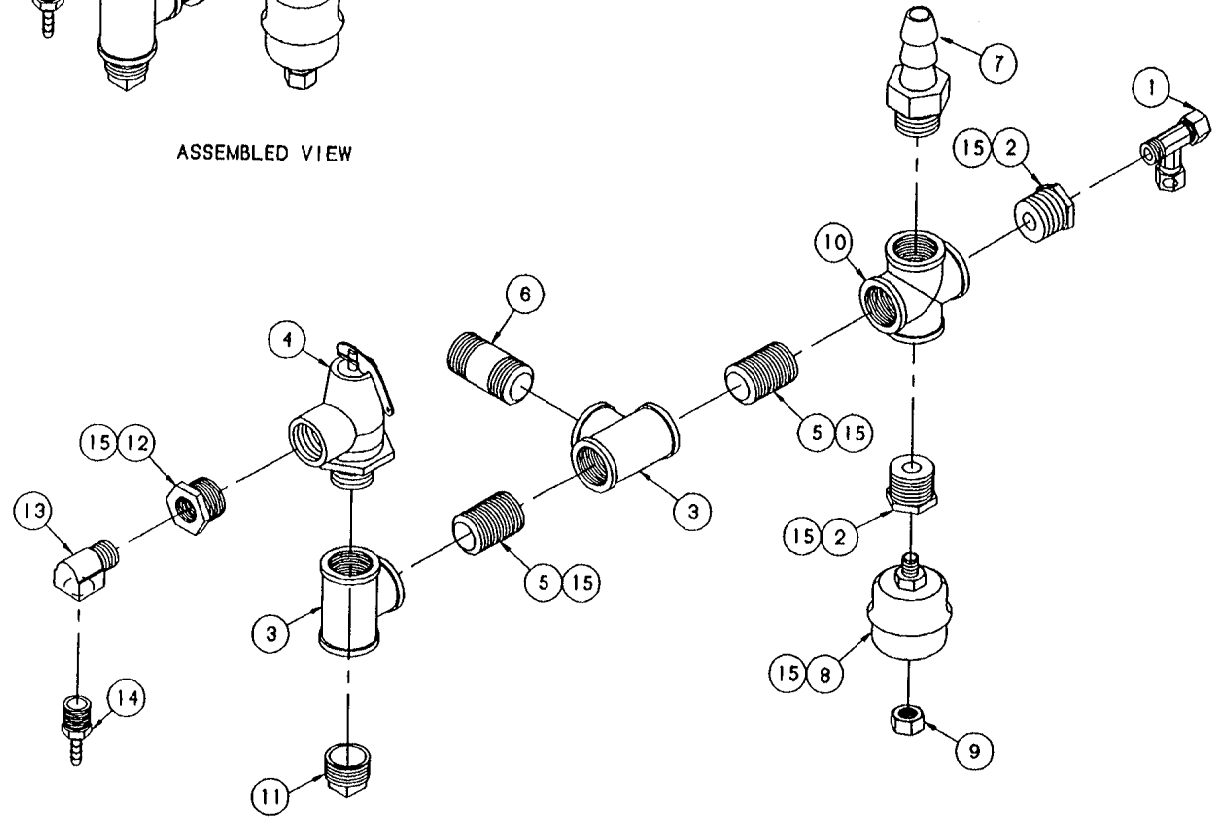
<b>CLEVELAND RANGE INC.</b> 1333 East 179th St. Cleveland, Ohio 44110-2574			
TOLERANCES <small>(EXCEPT AS NOTED)</small>	SCALE 1/2=1	DRAWN BY E. GRIVEAS	APPROVED BY MLT
DECIMAL ± N/A	TITLE STEAM OUTLET ASSEMBLY REV. BEND GENERATOR (REV. 2)		
ANGULAR ± N/A	DATE 10-07-93	DRAWING NO. C - 42R122	REV.

THIS DESIGN DESCRIBES A PROPRIETARY ITEM AND IS THE PROPERTY OF CLEVELAND RANGE. THIS DRAWING IS NOT TO BE COPIED OR USED WITHOUT THE APPROVAL OF CLEVELAND RANGE.



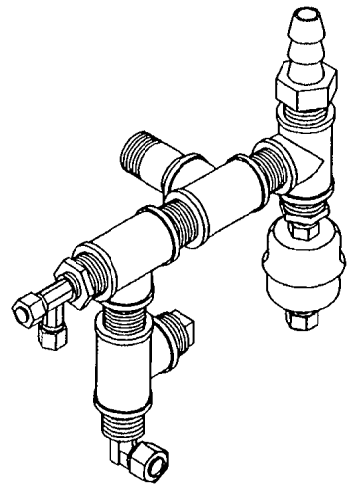


ASSEMBLED VIEW

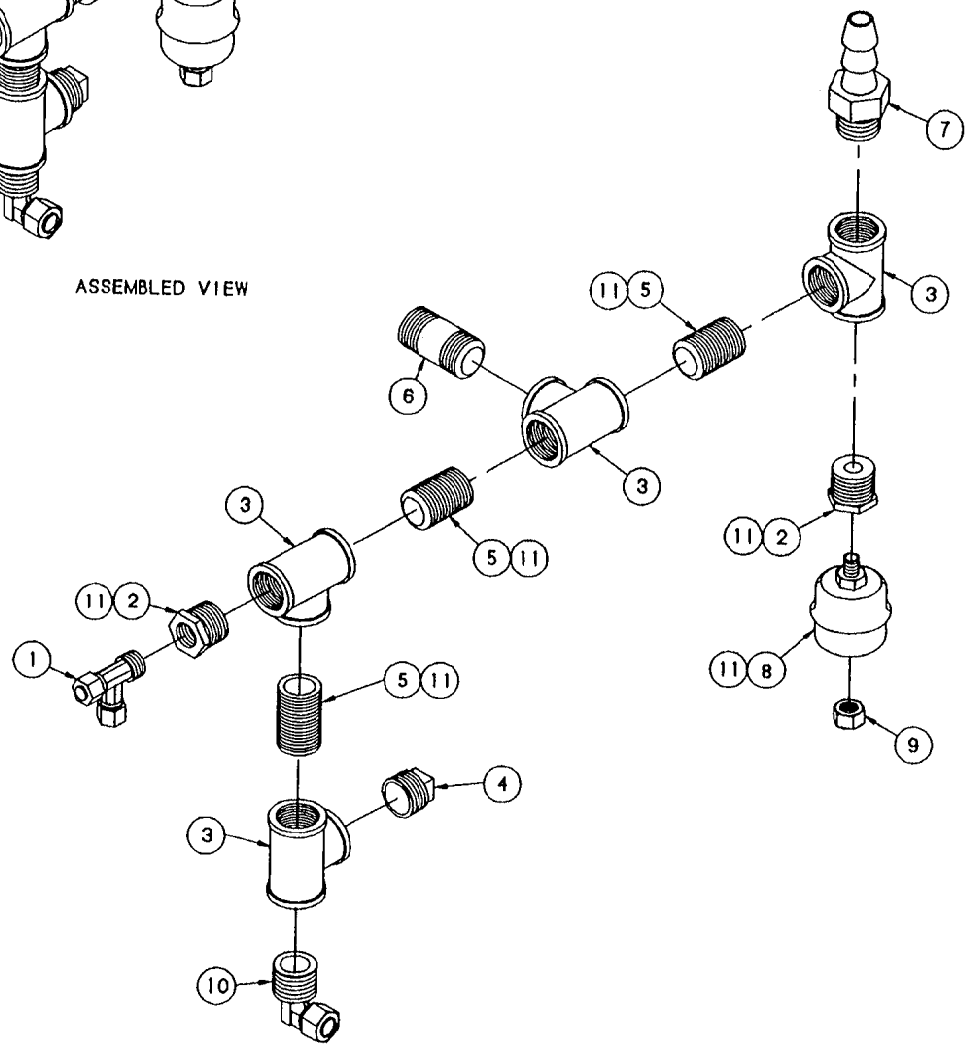


ITEM	QTY.	PART NO.	DESCRIPTION
15	A/R	00934	SEALANT, RECTORSEAL
14	1	104382	FITTING, HOSE BARB, 1/4" H X 3/8" MPT
13	1	05280	ELBOW, STREET, 3/8" BRASS
12	1	02575	BUSHING, REDUCING, 3/4" X 3/8", BRASS
11	1	18807	PLUG, SQUARE HEAD, 3/4", BRASS
10	1	03732	CROSS, 4-WAY 3/4" BRASS
9	1	14881	NUT, COMPRESSION, 1/4 TUBE, BRASS
8	1	101207	TRAP, THERMOSTATIC, 1/4" X 1/4"
7	1	06240	FITTING, HOSE BARB 3/4 HOSE X 3/4 MPT BRASS
6	1	14431	NIPPLE, 3/4 X 2, BRASS
5	1	14342	NIPPLE, 3/4 X CLOSE, BRASS
4	1	101035	VALVE, SAFETY, 3/4", 12 PSI
3	2	20208	TEE, 3/4 BRASS
2	2	02583	BUSHING, REDUCING, 3/4 X 1/4, BRASS
1	1	100883	FITTING, COMPR., TEE 3/8T X 1/4MPT X 3/8T

TOLERANCES (UNLESS OTHERWISE NOTED)		<b>CLEVELAND RANGE INC.</b> 1333 East 179th St. Cleveland, Ohio 44110-2574		
DECIMAL ± N/A	SCALE 1/2=1	DRAWN BY EAG	APPROVED BY DLD	
ANGULAR ± N/A	TITLE STEAM OUTLET ASSEMBLY SM GAS, 600MM			
CK	DATE 1-21-94	DRAWING NO. C -	125	REV. -



ASSEMBLED VIEW

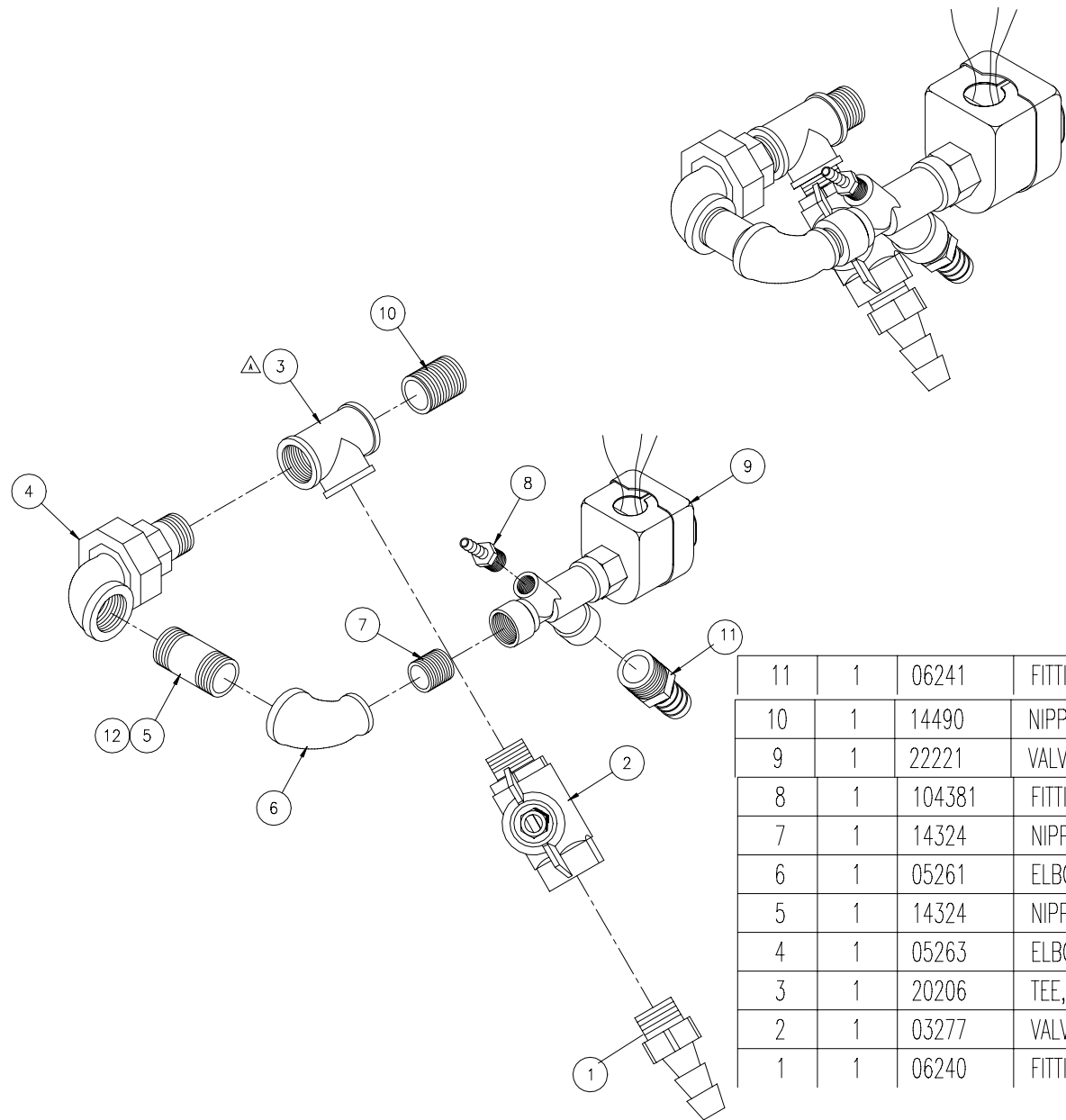


ITEM	QTY.	PART NO.	DESCRIPTION
11	A/R	00934	SEALANT, RECTORSEAL
10	1	06187	FITTING, COMPR., 90 DEG, 1/2T X 3/4MPT
9	1	14861	NUT, COMPRESSION, 1/4 TUBE, BRASS
8	1	101207	TRAP, THERMOSTATIC, 1/4" X 1/4"
7	1	06240	FITTING, HOSE BARB 3/4 HOSE X 3/4 MPT BRASS
6	1	14431	NIPPLE, 3/4 X 2, BRASS
5	3	14342	NIPPLE, 3/4 X CLOSE, BRASS
4	1	18807	PLUG, SQUARE HEAD, 3/4, BRASS
3	4	20208	TEE, 3/4 BRASS
2	2	02563	BUSHING, REDUCING, 3/4 X 1/4, BRASS
1	1	100883	FITTING, COMPR., TEE 3/8T X 3/8MPT X 3/8T

TOLERANCES <small>(EXCEPT AS NOTED)</small>			
<b>CLEVELAND RANGE INC.</b> 1333 East 179th St., Cleveland, Ohio 44110-2574			
DECIMAL ± N/A	SCALE 1/2=1	DRAWN BY D. DODSON	APPROVED BY NLT
ANGULAR ± N/A	TITLE STEAM OUTLET ASSY., 42CKEW/42CKGM REV. BEND GENERATOR		
CK	DATE 2-03-94	DRAWING NO. C - 428126	REV. -

THIS DESIGN DESCRIBES A PROPRIETARY ITEM AND IS THE PROPERTY OF CLEVELAND RANGE. THIS DRAWING IS NOT TO BE COPIED OR USED WITHOUT THE APPROVAL OF CLEVELAND RANGE.

LET.	REVISIONS	DATE	BY
------	-----------	------	----

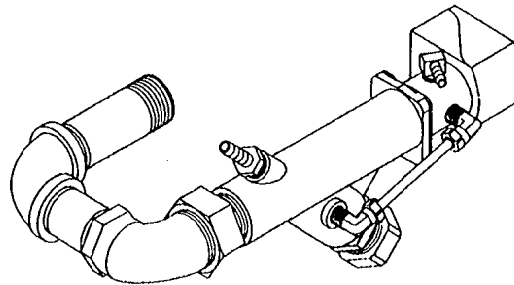
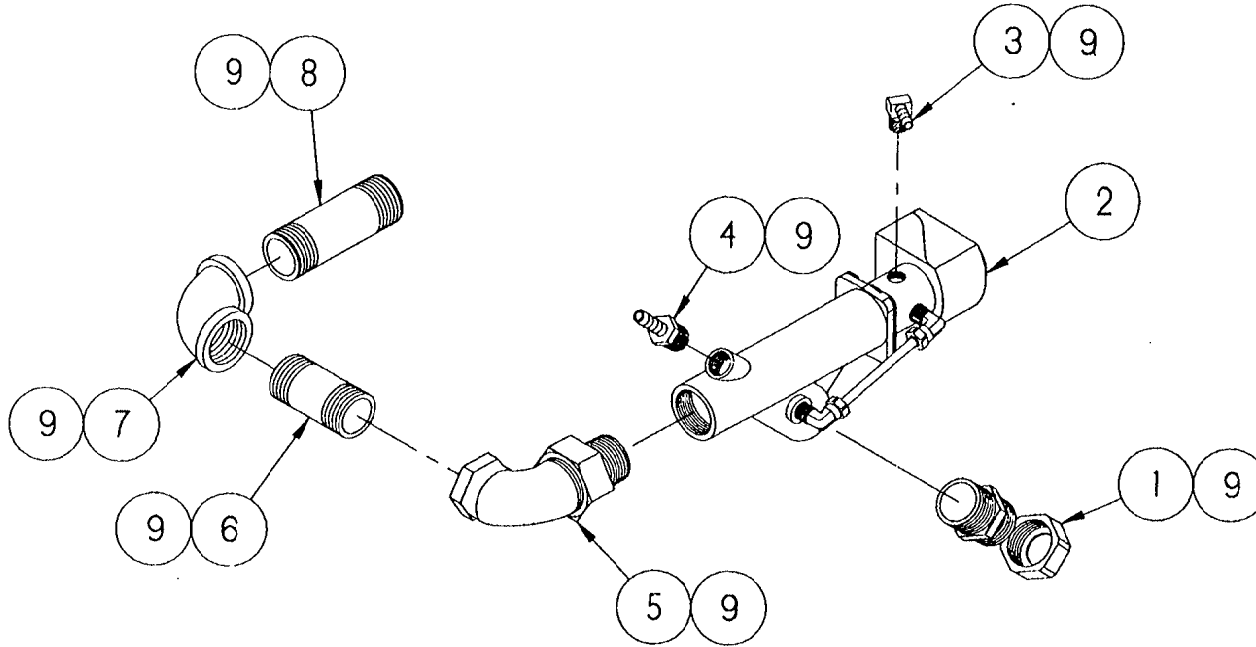


11	1	06241	FITTING, HOSE BARB, 3/4"H x 1/2"MPT
10	1	14490	NIPPLE, 3/4" x CLOSE, S/S
9	1	22221	VALVE, ASCO HV220649
8	1	104381	FITTING, HOSE BARB, 1/4"H x 1/4" NPT
7	1	14324	NIPPLE, 1/2" x CLOSE, BRASS
6	1	05261	ELBOW, 3/4" x 1/2" x 90°
5	1	14324	NIPPLE, 3/4" x 2", BRASS
4	1	05263	ELBOW, 90° RADIATOR, 3/4"
3	1	20206	TEE, 3/4", BRASS
2	1	03277	VALVE, BALL, 3/4" (W/OUT HANDLE)
1	1	06240	FITTING, HOSE BARB, 3/4"H x 3/4" MPT

ITEM	QTY	PART NO.	DESCRIPTION
<b>CLEVELAND RANGE, LLC</b>			
1333 East 179th St., Cleveland, Ohio 44110-2574			
<small>THIS DESIGN DESCRIBES A PROPRIETARY ITEM AND IS THE PROPERTY OF CLEVELAND RANGE. THIS DRAWING IS NOT TO BE COPIED OR USED WITHOUT THE APPROVAL OF CLEVELAND RANGE.</small>			
TOLERANCES (UNLESS OTHERWISE NOTED)	DO NOT SCALE PRINTED DRAWING	DRAWN BY S.MILEWSKI	DATE 7-18-91
DECIMAL ±.030	TITLE PIPING ASSEMBLY, BLOWDOWN 600 MM, GAS		
ANGULAR ± 1°	SIZE C	DRAWING NO. 40811	SHEET 1 OF 1 REV J

NOTES:  
1. PARTS MUST BE ROTATED TO ILLUSTRATED ANGLES.

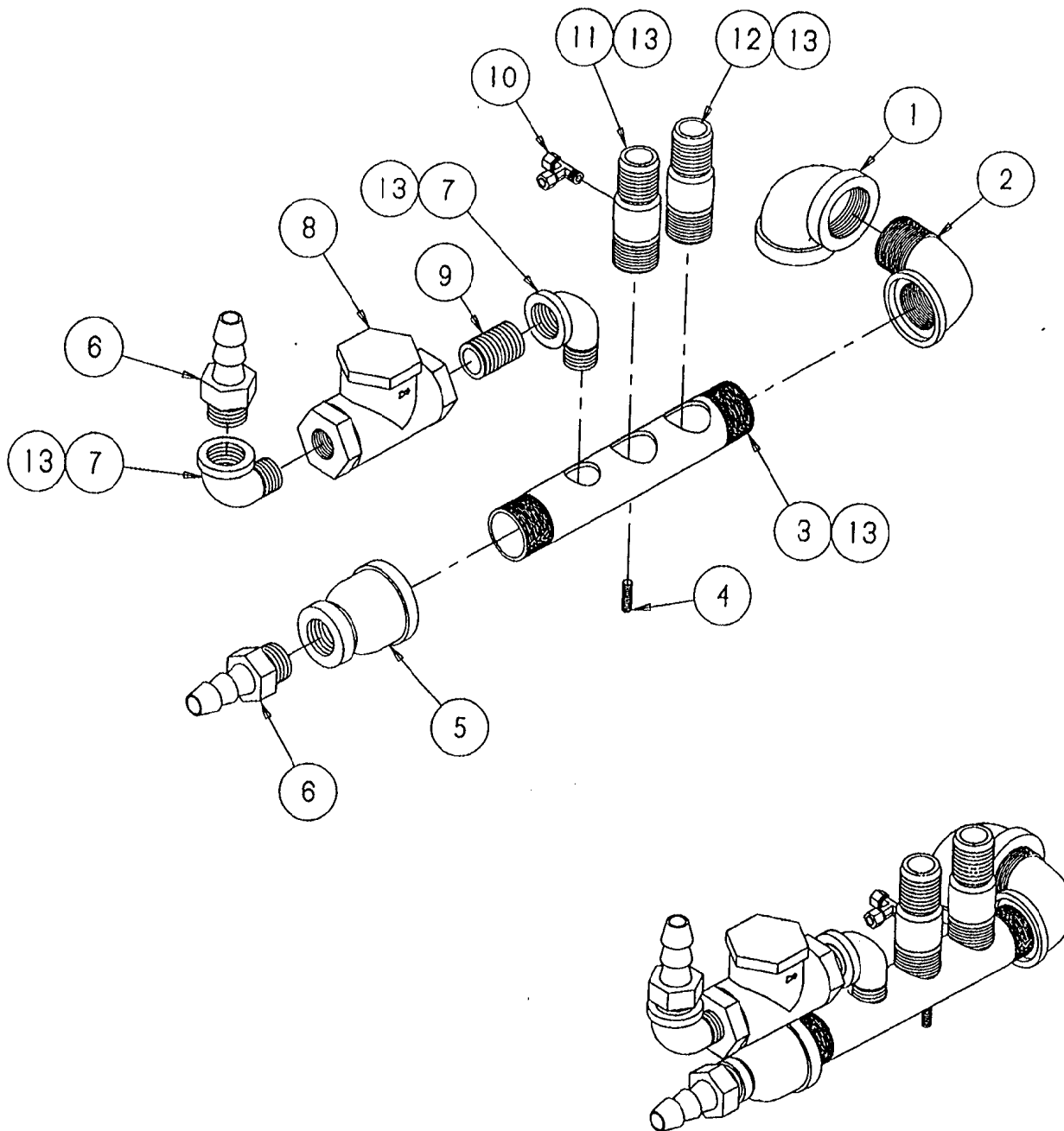
LET	REVISIONS	DATE	BY
A	P/N 20208 WAS 20249. EO #2075	11-12-91	SM
B	ROTATED P/N 22221 & ADDED NOTE 1	04-18-92	SM
C	P/N 06208 WAS 06207, P/N 22244 WAS 22221, P/N 104381 WAS 08216, P/N 14495 WAS 14490, P/N 05280 WAS 05281, P/N 105787 ADDED, P/Ns 03277, 20208 & 14324 OMITTED PER E.O. #C-2448	06-18-93	PJO



NO.	QTY.	PART NO.	DESCRIPTION
9	A/R	00934	SEALANT, RECTORSAL
8	1	14495	NIPPLE, 3/4 NPT X 3, S/S
7	1	05280	ELBOW, 3/4 X 3/4, 90°
8	1	14431	HIPPLE, 3/4 X 2, BRASS
5	1	05283	ELBOW, RADIATOR, 3/4 X 90°
4	1	104381	FITTING, HOSE BARB, 1/4 H X 1/4 NPT
3	1	105787	FITTING, HOSE BARB, 1/4 H X 1/8 NPT 90
2	1	22244	VALVE, SOLENOID, 1/2", 15 PSI
1	1	06208	COMP., FITTING, 3/4" x 3/4" NPT, ST.

TOLERANCES (EXCEPT AS NOTED)			
<b>CLEVELAND RANGE INC.</b> 1333 East 179th St. Cleveland, Ohio 44110-2574			
DECIMAL ± N/A	SCALE N.T.S.	DRAWN BY S. WILENSKI	APPROVED BY DJP
ANGULAR ± N/A	TITLE PIPING ASSEMBLY, BLOWDOWN 600 MM, GAS 1 <sup>1/4</sup> CGM1		
CK	DATE 7-18-91	DRAWING NO. C	REV. 11 C

THIS DESIGN DESCRIBES A PROPRIETARY ITEM AND IS THE PROPERTY OF CLEVELAND RANGE. THIS DRAWING IS NOT TO BE COPIED OR USED WITHOUT THE APPROVAL OF CLEVELAND RANGE.



THIS DESIGN DESCRIBES A PROPRIETARY ITEM AND IS THE PROPERTY OF CLEVELAND RANGE. THIS DRAWING IS NOT TO BE COPIED OR USED WITHOUT THE APPROVAL OF CLEVELAND RANGE.

ASSEMBLED UNIT

LET	REVISIONS	DATE	BY
-	PRODUCTION RELEASE E.O. #C-2008	09-10-91	PJD
A	P/N 05259 WAS QTY. OF 2 E.O. #C-2048	10-11-91	PJD
B	P/N 105541 WAS P/N 20219 E.O. #C-2134 R1	03-11-92	PJD
C	P/N 05259 WAS QTY. OF 3, P/N 105541 OMITTED, P/N 08240 WAS QTY. OF 3 PER E.O. #C-2448	07-21-93	PJD

NO.	QTY.	PART NO.	DESCRIPTION
13	A/R	00934	SEALANT, RECTORSEAL
12	1	14481	FITTING, BARB 1" HOSE X 1" MPT S/S
11	1	585191	FITTING, HOSE - DRAIN MANIFOLD WITH 1/8" HOLE
10	1	101394	TEE, MALE RUN 1/4 T X 1/4 T X 1/8
9	1	14343	NIPPLE, CLOSE, 3/4", BLACK
8	1	22119	VALVE, SWING CHECK, 3/4"
7	2	05259	ELBOW, STREET, 90°, 3/4", BLACK
6	2	08240	FITTING, HOSE BARB 3/4" HOSE X 3/4 MPT
5	1	03818	COUPLING, RED, 1-1/2 -3/4 BLACK
4	1	19917	STUD, WELD, 1/4-20 X .875 S/S
3	1	13252	MANIFOLD, DRAIN 1-1/2 NPT BLACK
2	1	05292	ELBOW, STREET 1-1/2 NPT X 90° BLACK
1	1	05238	ELBOW, 1-1/2 NPT X 90° BLACK

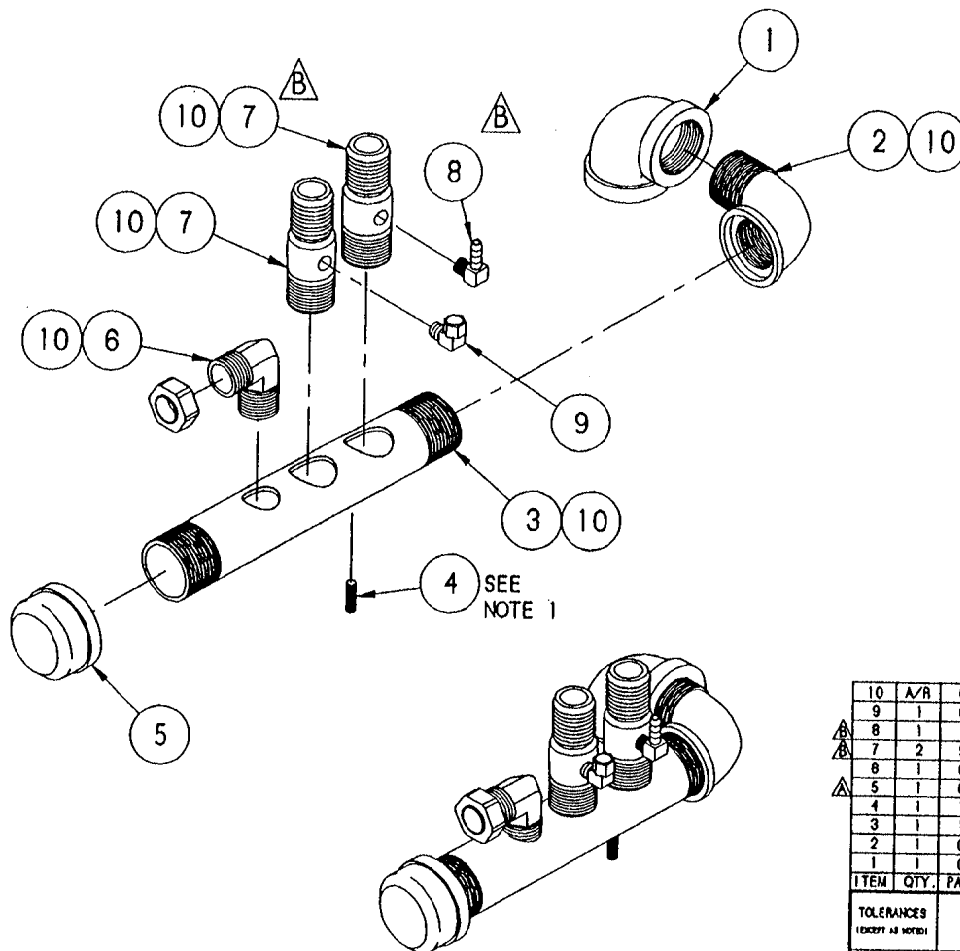
  

TOLERANCES (EXCEPT AS NOTED)			
<b>CLEVELAND RANGE INC.</b>			
1333 East 179th St., Cleveland, Ohio 44110-2374			
DECIMAL	SCALE	DRAWN BY	APPROVED BY
± N/A	1/2"	P.J.D.	D.S.
ANGULAR	TITLE		
± N/A	DRAIN, MANIFOLD ASSEMBLY 42CKGM/SM 42CKGM/LG, 42CKSM		
CK	DATE	DRAWING NO.	REV.
	09-10-91	C-104873	C

NOTE:

- REFER TO DRAWING 260AHV FOR STUD LOCATION INSTRUCTIONS.

LET.	REVISIONS	DATE	BY
A	P/Ns 03818 & 08208 OMITTED AND P/N 03058 ADDED PER E.O. 1C-2448	08-21-93	PD
B	P/N 585191 WAS P/N 14481, ADDED P/N 105787 & NOTES PER E01C-2554	1-25-94	EAG

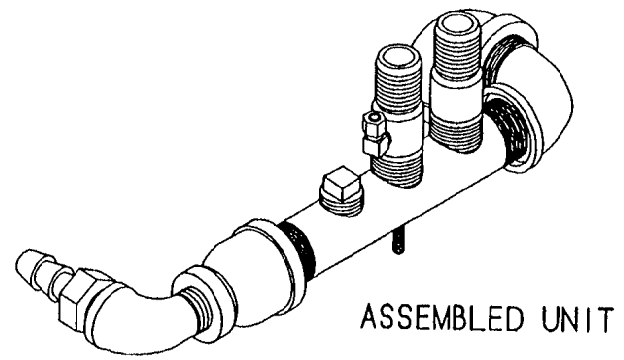
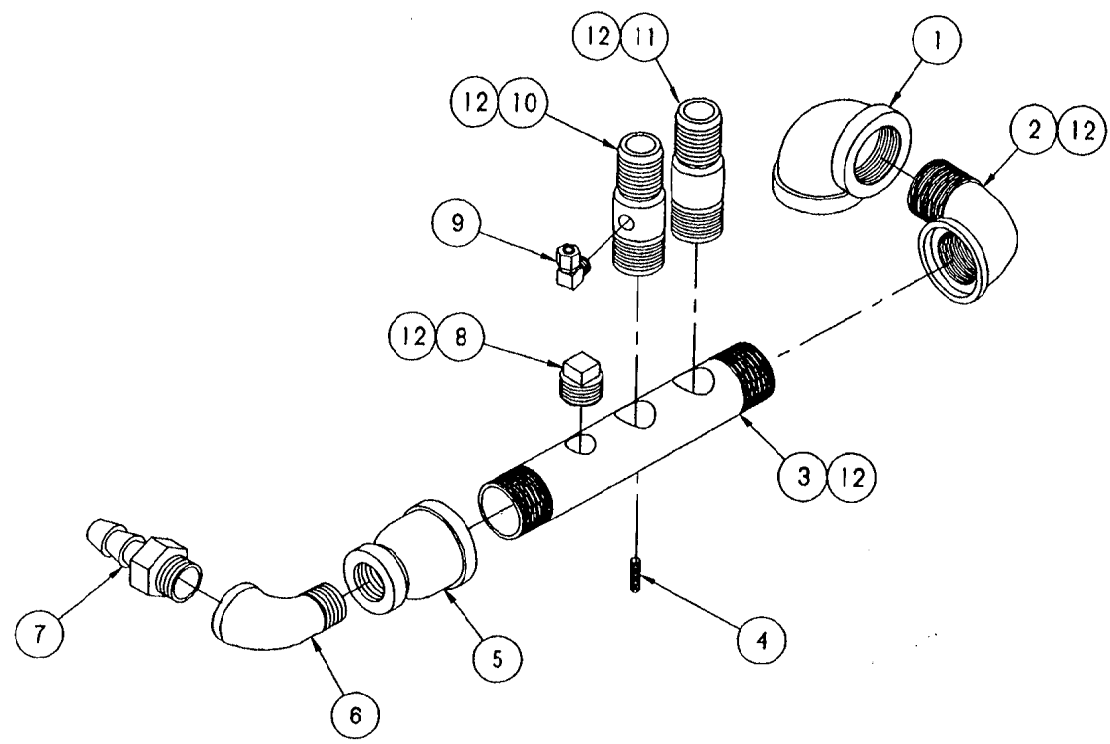


ITEM	QTY.	PART NO.	DESCRIPTION
10	A/R	00934	SEALANT, RECTORSEAL
9	1	08192	FITTING, COMP. 1/4 T X 1/8 MPT 90°
8	1	105787	FITTING, HOSE BARB 90° 1/8" MPT X 1/4" H
7	2	585191	FITTING, HOSE-DRAIN MANIFOLD W/ 1/8" HOLE
6	1	08209	FITTING, COMP. 3/4 T X 3/4 NPT, 90°
5	1	03058	CAP, PIPE, 1-1/2" MALLEABLE IRON
4	1	19917	STUD, WELD 1/4-20 X 7/8, S/S
3	1	13252	MANIFOLD, DRAIN 1-1/2 NPT, BLACK
2	1	05292	ELBOW, STREET, 1-1/2 NPT X 90°, BLACK
1	1	05238	ELBOW, 1-1/2 NPT X 90°, BLACK

TOLERANCES (EXCEPT AS NOTED)			
<b>CLEVELAND RANGE INC.</b> 1333 East 178th St. Cleveland, Ohio 44110-2574			
DECIMAL ± N/A	SCALE 1/2" = 1"	DRAWN BY DUTCHMAN	APPROVED BY
ANGULAR ± N/A	TITLE DRAIN, MANIFOLD ASSEMBLY 24CGM		
CK	DATE 10-01-91	DRAWING NO. C - 42750	REV. B

THIS DESIGN DESCRIBES A PROPRIETARY ITEM AND IS THE PROPERTY OF CLEVELAND RANGE. THIS DRAWING IS NOT TO BE COPIED OR USED WITHOUT THE APPROVAL OF CLEVELAND RANGE.

LET.	REVISIONS	DATE	BY
-	PRODUCTION RELEASE E.O. #C-1994	08-23-91	PJD
A	P/N 14347 & 20205 OMITTED AND P/N 08240 WAS QTY. OF 2 PER E.O. #C-2448	08-22-93	PJD



ASSEMBLED UNIT

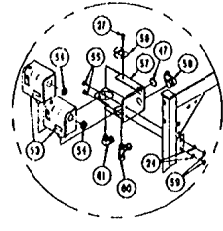
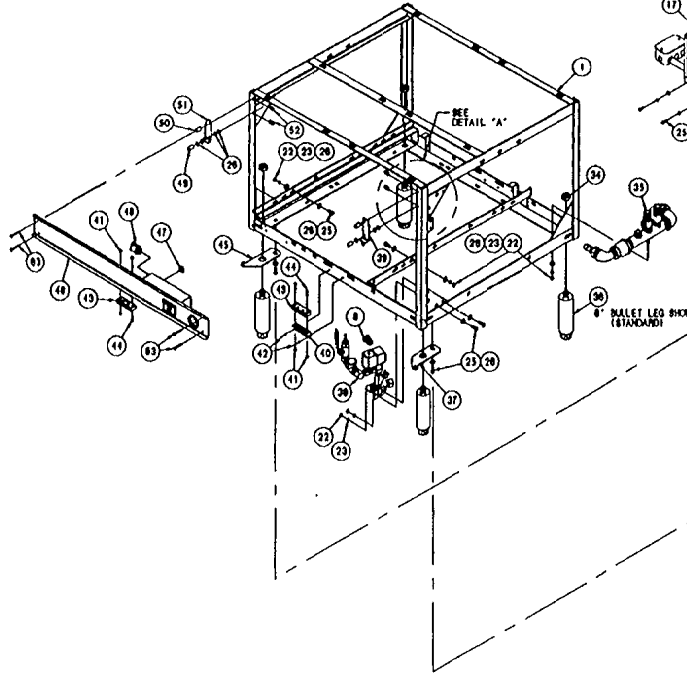
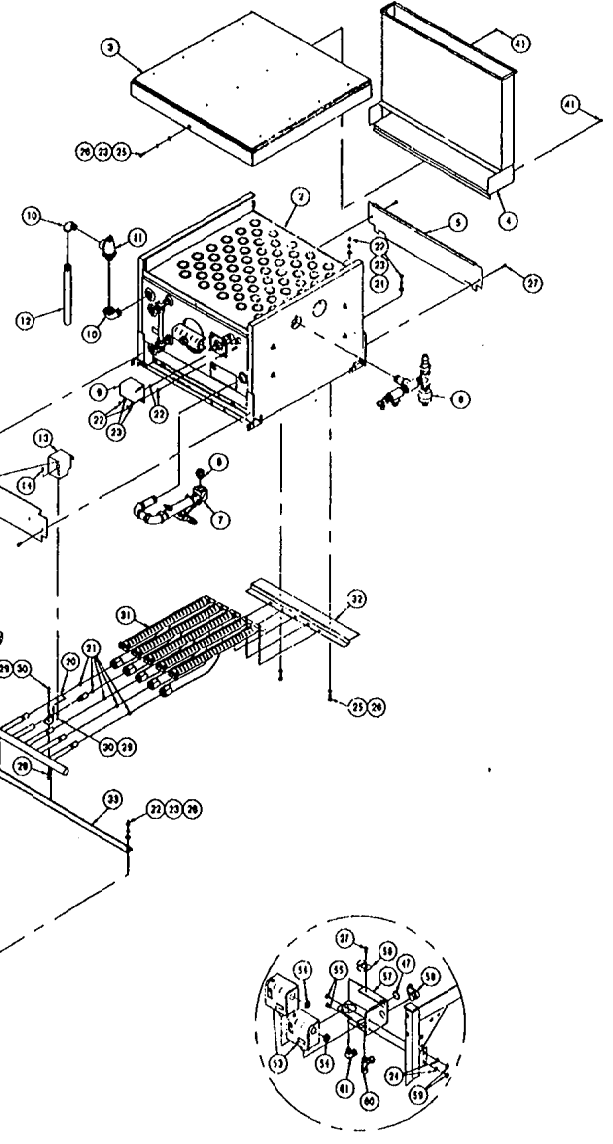
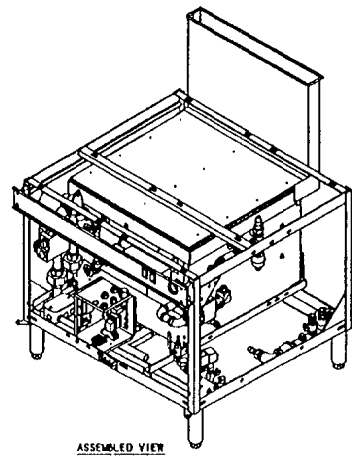
ITEM	QTY.	PART NO.	DESCRIPTION
12	A/R	00934	SEALANT, RECTORSEAL
11	1	14481	FITTING, BARB 1" H X 1" MPT S/S
10	1	565191	FITTING, HOSE, DRAIN MANIFOLD W/ 1/8 HOLE
9	1	06192	FITTING, COMP. 1/4 T X 1/8 MPT 90°
8	1	16808	PLUG, SQ. HEAD, 3/4" PIPE, BLACK
7	1	08240	FITTING, HOSE BARB 3/4 H X 3/4 MPT
6	1	05259	ELBOW, STREET 3/4 X 90°, BLACK
5	1	03816	COUPLING, RED. 1-1/2 X 3/4, BLACK
4	1	19917	STUD, WELD 1/4-20 X 7/8, S/S
3	1	13252	MANIFOLD, DRAIN 1-1/2 NPT, BLACK
2	1	05292	ELBOW, STREET 1-1/2 NPT X 90° BLACK
1	1	05238	ELBOW, 1-1/2 NPT X 90°, BLACK

TOLERANCES (EXCEPT AS NOTED)		<b>CLEVELAND RANGE INC.</b> 1333 East 179th St., Cleveland, Ohio 44110-2574	
DECIMAL ± N/A	SCALE 1/2"	DRAWN BY P. J. D.	APPROVED BY
ANGULAR ± N/A	TITLE PIPING ASSEMBLY, DRAIN 38CGM/SM, 38CGM/LG, 38CEM, 24CSM, 38CSM		
CK	DATE 08-13-91	DRAWING NO. C - - 1	REV. A

THIS DESIGN DESCRIBES A PROPRIETARY ITEM AND IS THE PROPERTY OF CLEVELAND RANGE. THIS DRAWING IS NOT TO BE COPIED OR USED WITHOUT THE APPROVAL OF CLEVELAND RANGE.

REV.	REVISIONS	DATE	BY
A	ADDED P/M 10888, P/M 23110 WAS	01-20-84	EAC
-	QTY1261, P/M 10899 WAS 14083		
-	P/M 42751 WAS 10499 E.O. AC-2043		

NOTES:  
 1. PROPANE UNITS ONLY. USE ITEMS INDICATED IN ADDITION TO CALLED OUT ITEMS. ITEMS USED WITH PROPANE ARE NOT SHOWN FOR CLARITY.



SEE NOTE 1

ITEM	QTY	PART NO.	DESCRIPTION
83	4	10888	SCREW, TRSS HD, PH. PS., 10-14 X 1-1/2
-	1	32011	BAFFLE, FRONT BURNER, GAS, LP ONLY
-	2	52435	BAFFLE, SIDE
62	A/R	00954	SEALANT, RECTORSSEAL
61	1	08190	FITTING, COMP, 3/8 X 1/4 NPT 90°
60	1	100883	FITTING, COMP TEE 3/8 X 1/4 NPT X 5/8
59	2	14888	NUT, HEX, 1/4-20 X 3/8
58	1	103317	CONNECTOR, 1/2 X 3/8 BRASS/PTFE
57	1	528241	BRACKET, PRESSURE SWITCH, ONE/LEGIT
56	1	52499	BRACKET, PRESSURE SWITCH RETAINER
55	2	15218	SCREW, HEX HEAD, 1/4-20 X 3/8 S/S
54	2	02559	BUSHING, INSULATING 3/8 X 1/2 HEX OD
53	2	15947	SWITCH, PRESSURE CONTROL
52	4	100899	NUT, SLIP ON, 10-24, TINNEMAN
51	1	412192	BRACKET, ASS'Y., TOP HINGE, I.S.
50	2	15555	SPACER
49	2	15552	SPACER
48	1	105210	CONNECTOR, GREENFIELD 1/2 STRAIGHT
47	2	18329	PLUG, SHUT-IN, 1/2" FOR 7/8" HOLE
46	1	104887	COORLE ASSY, 250 MB 2 SWITCH
45	1	1020882	HINGE, LOWER LEFT HINGE
44	4	18200	SCREW, HD, HEAD 8-32 X 1 ZINC PLTD
43	2	03100	CATCH, MAGNETIC
42	A/R	18358	RIVET, 1/2 DIA, FLUSH BREAK S/S
41	1	14847	NUT, HEX 8-32 ZINC PLATED
40	1	53274	CLIP, MAGNET CATCH S/S
39	1	412192	BRACKET, ASS'Y. TOP HINGE, A.S.
38	1	44070	WATER FEED ASSY, REY BEND GEN
37	1	1020883	HINGE, LOWER RIGHT HINGE
36	4	06150	LEG, BALL BE
35	1	42751	DRATH, ASSEMBLY
34	4	14888	NUT, HEX 3/4-10 ZINC PLTD
33	-	1009351	BRACKET, MANIFOLD, 300 MB BASE A.S.
32	-	03191	BRACKET, MANIFOLD, 300 MB BASE S/S
31	1	44150	BRACKET, SUPPORT, REAR, 250 MBU
30	5	02497	BURNER ASSEMBLY GAS
29	2	14850	NUT, HEX, #10-24, B/289
28	2	23113	WASHER, SPALL LOCK #18 ZINC PLATED
27	5	19140	SCREW, HEX WASHER HEAD, #10 X .5
26	22	23118	WASHER, FLAT 1/4 X 5/8 X .065
25	11	19288	SCREW, HEX HEAD, 1/4-20 X 3/4
24	1	25137	WASHER, LOCK, INT., TOOTH, 1/4 S/S
23	14	23101	WASHER, LOCK 1/4 NAT. LNK STYLE
22	13	14818	NUT, HEX 1/4-20 S/S
21	-	15450	ORIFICE, LP GAS, #18 DRILL
20	-	15453	ORIFICE, NAT GAS, #28 DRILL
19	-	52802	BRACKET, ALTOUGH MANIFOLD
18	-	42921	MANIFOLD, ASSY, REY BEND 250 MBU
17	-	42074	VALVE ASSY, LARGE GAS, LP
16	-	43664	VALVE ASSY, NATURAL GAS 250/300 MBU
15	1	10092801	BOX, ELECT, ASSY FOR GAS 2 PROBE
14	1	44109	CABLE, IGNITION ASSEMBLY
13	1	40840	BAFFLE, FRONT 250 BTU
12	1	15267	SCREW, PAN HEAD, #10-24 X .5 LG S/S
11	1	44090	BOX, IGNITER ASSEMBLY
10	2	14407	HIPPLE, Y.D.E., 3/4" Y 8" BLACK
9	1	22131	VALVE, SAFETY, 3/4" 13 PSI, BRONZE
8	2	03250	ELBOW, STREET, 3/4" 90° BLACK
7	2	52305	BOX, PROBE, GREENFIELD S/S PROBE, A.C.S.
6	1	103213	CONNECTOR, GREENFIELD 3/8 STRAIGHT
5	1	40811	BLOWDOWN ASSY, POL, CYCLONE, GAS
4	1	428122	STEAM OUTLET ASSEMBLY
3	1	52192	BAFFLE, REAR, 250/300 MBU
2	-	1011301	FLUE FITTER ASSY, INTERNAL
1	-	1008811	CELLICOR, ASSY, TOP FLUE, LG GAS
0	1	407431WP	GAS GENERATOR ASSY, W/REF PLATS
0	1	411201	BASE, WELDMENT, 300MB, A.C.S.
0	1	41120	BASE WELDMENT, 300MB S/S

REF

CLEVELAND RANGE INC.			
1233 East 1781st St. Cleveland, Ohio 44110-2174			
DECIMAL	SCALE	DRAWN BY	APPROVED BY
1/8" = 1"	1/2" = 1"	E. ORLIVEAS	H.L.
TITLE: BASE ASSEMBLY, GENERATOR, 300 MB, GAS, 250 MBU			
DATE	DRAWING NO.	REV.	
10-14-83	D - DCE0007	A	

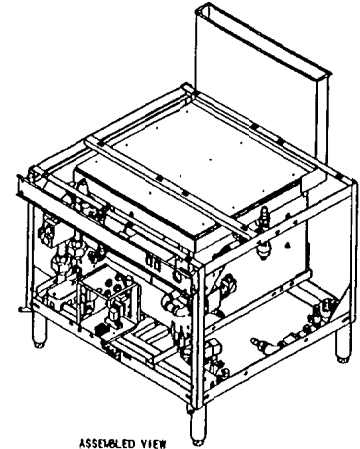
THIS DESIGN DESCRIBES A PROPRIETARY ITEM AND IS THE PROPERTY OF CLEVELAND RANGE. THIS DRAWING IS NOT TO BE COPIED OR USED WITHOUT THE APPROVAL OF CLEVELAND RANGE.

NEXT ASS'Y: DCE0023

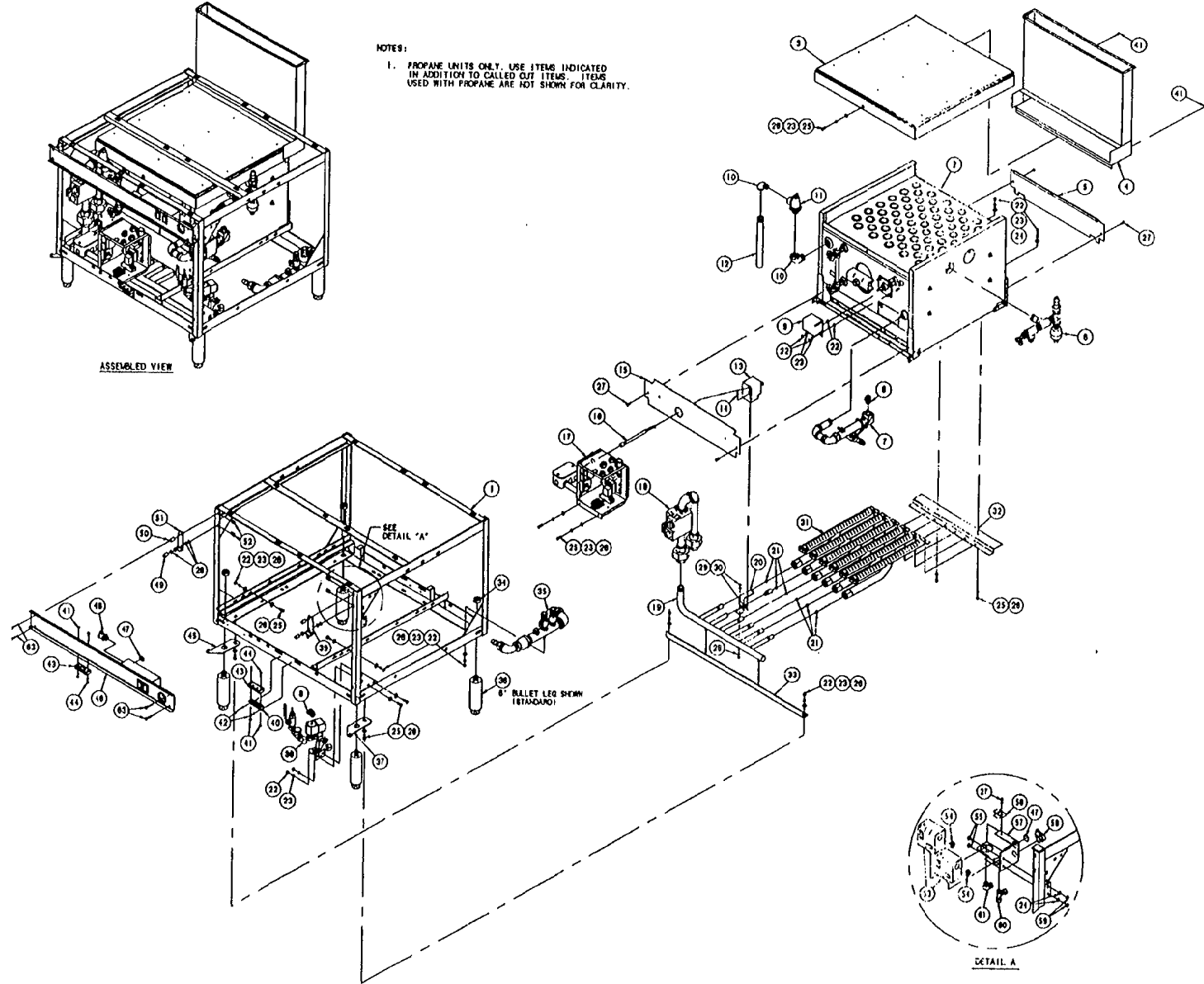


LET.	REVISIONS	DATE	BY
A	ADDED P/N 104888, P/N 22118 WAS	05-20-84	GLC
-	QTY(261), P/N 104884 WAS 14845		
-	P/N 42781 WAS 104891 E.O. 4C-2843		

NOTES:  
 1. PROPANE UNITS ONLY. USE ITEMS INDICATED IN ADDITION TO CALLED OUT ITEMS. ITEMS USED WITH PROPANE ARE NOT SHOWN FOR CLARITY.



ASSEMBLED VIEW



SEE NOTE 1

QTY	P/N	DESCRIPTION
83	4	106698 SCREW TREE 10, PHIL, 10-24 X 1-1/2
-	1	32913 BAFFLE, FRONT BURNER, GAS, LP ONLY
-	1	32915 BAFFLE, SIDE
82	A/A	02934 SEALANT, RECTANG
81	1	06196 FITTING, COMP, 3/8 X 1/4 NPT, 90°
80	1	100893 FITTING, COMP TEE 3/8 X 1/4 NPT X 3/8
59	2	14889 NUT, HEX JAW, 1/4-20, 8/8
58	1	10547 CONNECTION, 1/2 X 90° ORIFITTE
57	1	328241 BRACKET, PRESSURE SWITCH, GAS/ELECT
56	1	32499 BRACKET, PRESSURE SWITCH RETAINER
55	2	19218 SCREW, HEX HEAD, 1/4-20 X 3/8 8/8
54	2	07599 BUSHING, INSULATING 3/8 X 1/2 METAL
53	2	19947 SWITCH, PRESSURE CONTROL
52	4	106899 NUT, SLIP ON, 10-24, TYPENAM
51	1	41282 BRACKET, ASS'Y., TOP HINGE, L.S.
50	2	19355 SPACER
49	2	19352 SPACER
48	1	103210 CONNECTION, GREENFIELD 1/2 STRAIGHT
47	2	19329 PLUG, 8MM, 1/2" FOR 1/2" HOLE
46	1	048074 CONTROL ASSY, 300 MM 2 SWITCH
45	1	020842 HINGE, LOWER LEFT HINGE
44	4	19206 SCREW, HD, HEAD 4-32 X 1 ZINC PLTD
43	3	03100 CATCH, MAGNETIC
42	A/A	18336 NUT, 1/8 DIA, FLUSH BREAK 5/8
41	1	18174 NUT, HEX 8-32 ZINC PLATED
40	1	33274 CLIP, MAGNET CATCH 5/8
39	1	41282 BRACKET, ASS'Y., TOP HINGE, A.S.
38	1	44070 WATER FEED ASSY, REV BEND GEN
37	1	1020693 HINGE, LOWER RIGHT HINGE
36	1	09156 LEG, BULLET
35	1	42781 DRAIN, ASSEMBLY
34	4	14688 NUT, HEX JAW 3/4-10 ZINC PLTD
33	-	1003351 BRACKET, MANIFOLD, 300 MM BASE A.S.
32	-	03184 BRACKET, MANIFOLD, 300 MM BASE 3/8
31	1	41151 BRACKET, SUPPORT, REAR, 300 KBTU
30	1	02491 BURNER ASSEMBLY GAS
29	2	14839 NUT, HEX, #10-24, 8/8
28	2	23113 WASHER, SPILT LOCK #10 ZINC PLATED
27	1	19594 SCREW, ROUND HEAD, #10-24 X 7/8 LG.
26	2	19146 SCREW, HEX WASHER HEAD, #10 X 3
25	2	23116 WASHER, FLAT 1/4 X 5/8 X .045
24	4	10288 SCREW, HEX HEAD, 1/4-20 X 3/4
23	14	23105 WASHER, LOCK 1/4 KATLING STYLE
22	19	14118 NUT, HEX 1/4-20 8/8
21	-	15150 ORIFITCE, LP GAS, #15 DRILL
20	1	32802 BRACKET, AL (ALUM) MANIFOLD
19	1	40922 MANIFOLD, ASSY, REV BEND 300 KBTU
18	-	42874 VALVE ASSY, LARGE GAS, LP
17	1	04864 VALVE, NATURAL GAS #10/300 KBTU
16	1	10092901 BOX, ELECT, ASSY FOR GAS 2 PROBE
15	1	44169 CABLE, IGNITION ASSEMBLY
14	1	40842 BAFFLE, FRONT, 300 KBTU N/A
13	1	19287 SCREW, PAN HEAD, #10-24 X 3 LG 3/8
12	1	44050 BOX, IGNITER ASSEMBLY
11	1	14187 HITFALE, T.O.E., 3/4 X 9", BLACK
10	1	22131 VALVE, SAFETY, 3/4" 15 PSI BRONZE
9	2	05359 ELBOW, STREET, 3/4", 90° BLACK
8	2	32005 BOX, PROBE COVER, 2 PROBES, A.C.S.
7	1	103243 CONNECTION, GREENFIELD 3/8 STRAIGHT
6	1	40611 BLOWDOWN ASSY, RCL, CYCLO, GAS
5	1	42812 STEAM OUTLET ASSEMBLY
4	1	52192 BAFFLE, REAR, 210/300 KBTU
3	1	1011901 FLUE RISER ASSY, INTERNAL
2	1	1009111 COLL. RISER ASSY, TOP ZINC LG GAS
1	1	407431WP GAS GENERATOR ASSY, W/DEF PARTS
-	1	411201 BASE WELDMENT, 300MM, A.C.S.
-	1	41120 BASE WELDMENT, 300MM, 5/8

REF

TOLERANCES	SCALE	DRAWN BY	DATE	APPROVED BY
(UNLESS OTHERWISE SPECIFIED)	1/2"=1'	E. ORTVEAS		M.L.
DECIMAL				
FRACTION				
DATE				
OK	10-15-93	DRAWING		REV A

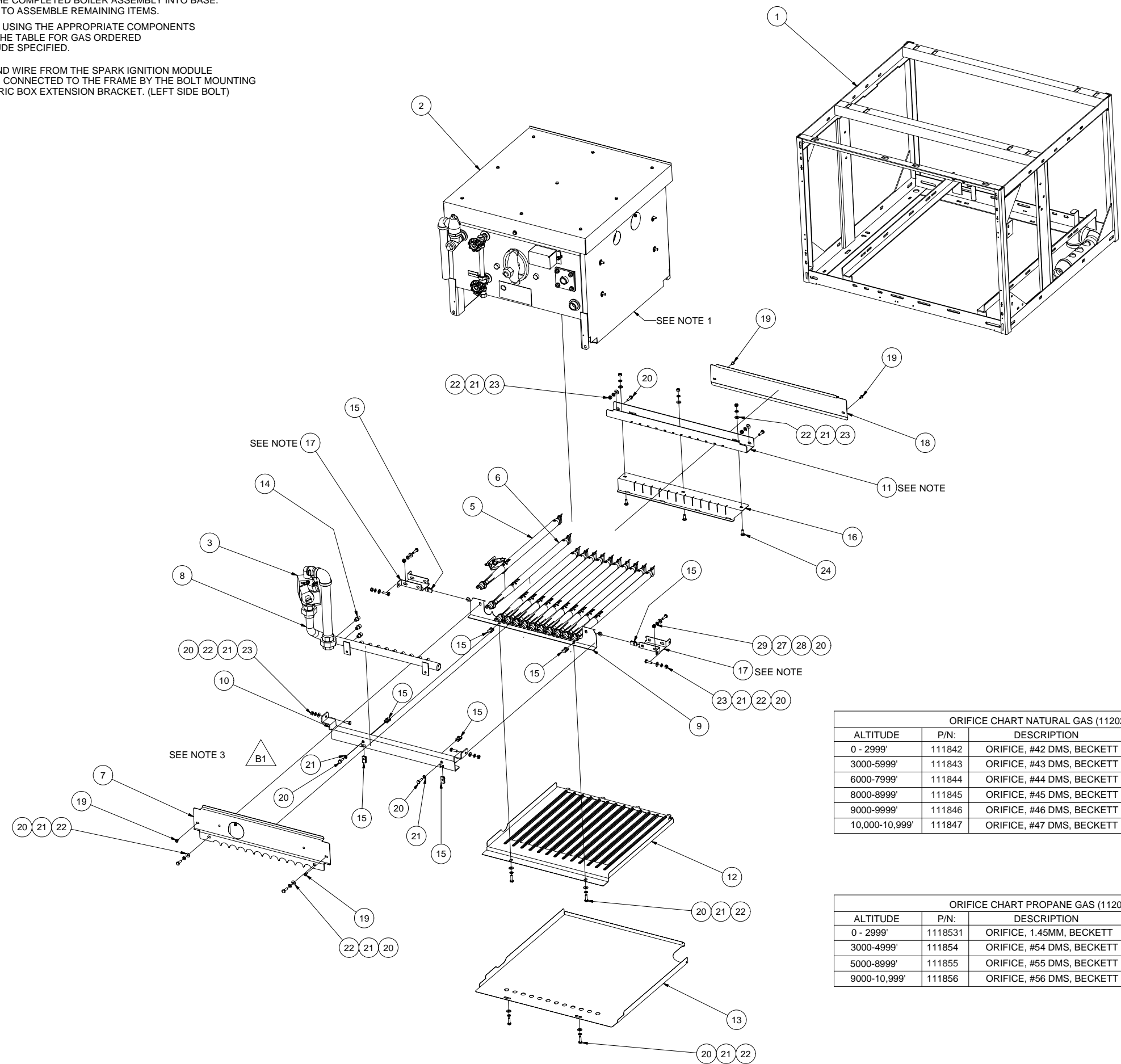
THIS DESIGN DESCRIBES A PROPANE ITEM AND IS THE PROPERTY OF CLEVELAND RANGE INC. THIS DESIGN IS NOT TO BE USED WITHOUT THE APPROVAL OF CLEVELAND RANGE INC.

NEXT ASSY: D020024

CLEVELAND RANGE INC.  
 1333 East 178th St., Cleveland, Ohio 44110-2174

- NOTE:
1. INSTALL ITEM 12 AND TWO ITEM 18 WITH INDICATED FASTENERS ONTO BOILER LEGS BEFORE INSTALLING SIDE INSULATION PANELS. INSTALL THE COMPLETED BOILER ASSEMBLY INTO BASE. CONTINUE TO ASSEMBLE REMAINING ITEMS.
  2. ASSEMBLE USING THE APPROPRIATE COMPONENTS NOTED IN THE TABLE FOR GAS ORDERED AND ALTITUDE SPECIFIED.
  3. THE GROUND WIRE FROM THE SPARK IGNITION MODULE SHOULD BE CONNECTED TO THE FRAME BY THE BOLT MOUNTING THE ELECTRIC BOX EXTENSION BRACKET. (LEFT SIDE BOLT)

LET.	DESCRIPTION	DATE	BY
A	PRODUCTION RELEASE PER EO# C-7160	08-14-06	LPH
B	1.) CHANGED IGNITION MODULE GROUND WIRE LOCATION	12-05-06	DS
-	2.) ADDED NOTE 3, PER EO #C-7247 (REF ECR 06-156)	-	-



ALTITUDE	P/N:	DESCRIPTION	HOLE SIZE
0 - 2999'	111842	ORIFICE, #42 DMS, BECKETT	#42(0.094± 0.001 REF)
3000-5999'	111843	ORIFICE, #43 DMS, BECKETT	#43(0.089± 0.001REF)
6000-7999'	111844	ORIFICE, #44 DMS, BECKETT	#44(0.086± 0.001 REF)
8000-8999'	111845	ORIFICE, #45 DMS, BECKETT	#45(0.082± 0.001 REF)
9000-9999'	111846	ORIFICE, #46 DMS, BECKETT	#46(0.081± 0.001 REF)
10,000-10,999'	111847	ORIFICE, #47 DMS, BECKETT	#47(0.079± 0.001 REF)

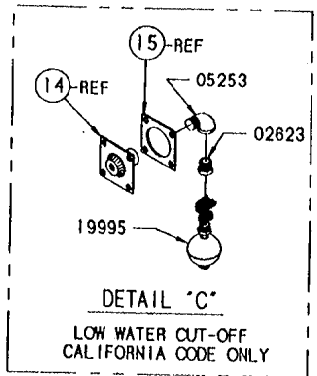
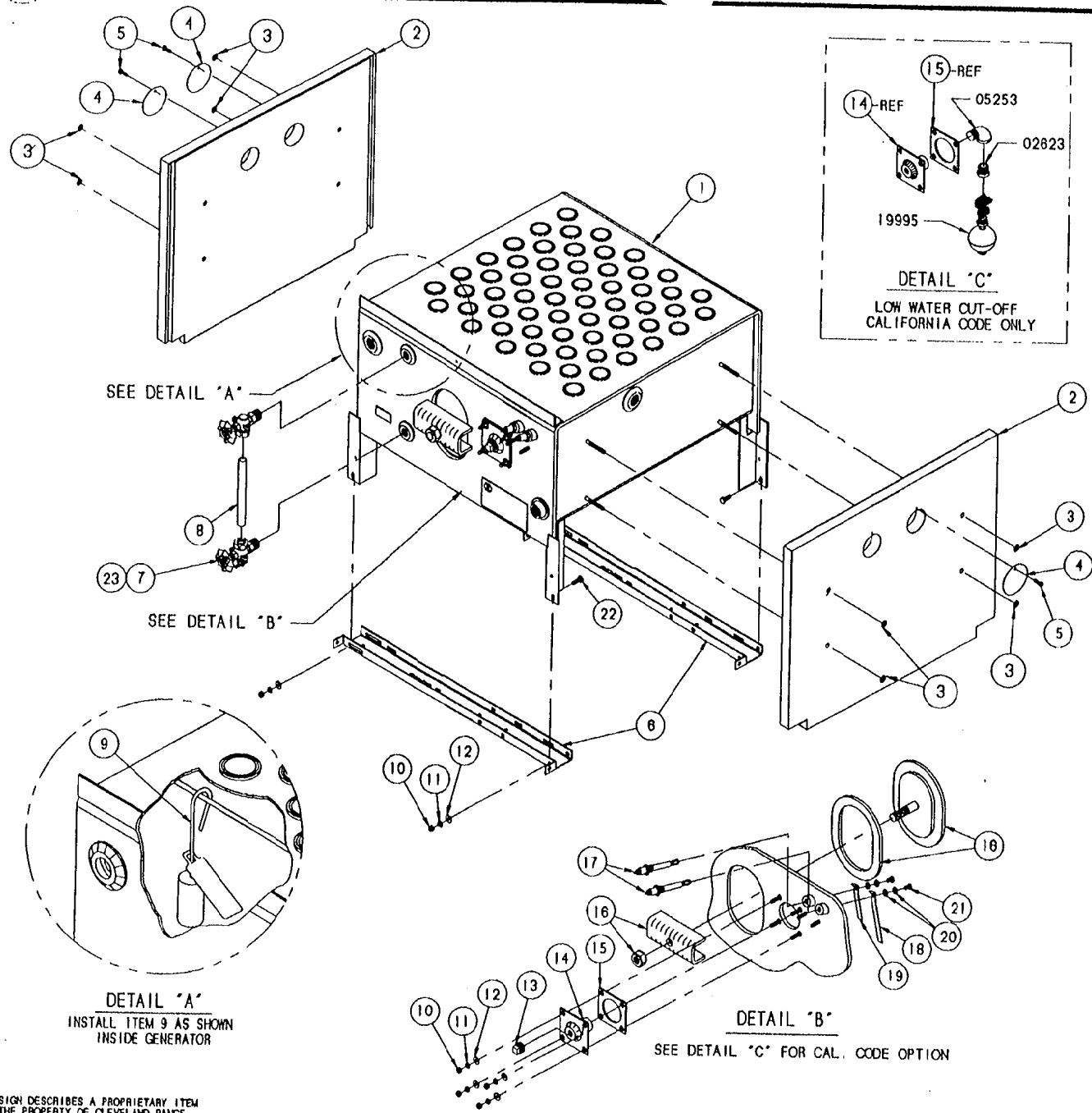
ALTITUDE	P/N:	DESCRIPTION	HOLE SIZE
0 - 2999'	1118531	ORIFICE, 1.45MM, BECKETT	1.45MM(0.057± 0.001 REF)
3000-4999'	111854	ORIFICE, #54 DMS, BECKETT	#54(0.055± 0.001 REF)
5000-8999'	111855	ORIFICE, #55 DMS, BECKETT	#55(0.052± 0.001 REF)
9000-10,999'	111856	ORIFICE, #56 DMS, BECKETT	#56(0.047± 0.001 REF)

26	1	109196	GENERATOR ASSY WELDMENT 2 PROBE, GAS, LARGE
25	1	100332	YOKE, 3 X 4 HANDHOLE GENERATOR
24	3	111273	SCREW, CARRIAGE, 1/4-20x3/4, SST (RND HEAD, SQ NECK)
23	17	14618	NUT, HEX, 1/4-20, STAINLESS STEEL
22	17	23116	WASHER, FLAT, 281 ID x.625 OD x .065 THK, SST
21	18	23105	WASHER, LOCK, 1/4" KATLINK STYLE, SST
20	16	19288	SCREW, 1/4-20 X 3/4, HEX, HD, ZINC PLATED
19	6	19148	SCREW, HEX WASHER HD, #10 x 1/2, TYPE AB, ZINC PLTD
18	1	111973	BAFFLE, REAR, 300K GAS
17	2	111760	BRACKET, FRONT, BOILER MOUNTING
16	1	111363	SUPPORT, BURNER, REAR 300K BTU, BECKETT BURNER
15	8	110581	NUT, "U" TYPE (EXTRUDED) #1/4-20 UNC-2B THREAD
14	12	-	ORIFICE - FROM TABLE
13	1	111371	COVER, BURNER, BOTTOM, 300 K BTU
12	1	111368	BAFFLE, BOTTOM, 300K BTU, BECKETT BURNER
11	1	1113631	SUPPORT, BOILER, REAR 300K BTU, BECKETT BURNER
10	1	111359	BRACKET, MOUNTING, BURNER MANIFOLD, 300K
9	1	111362	COVER, FRONT LOWER, BURNER, 300K, BECKETT BURNER
8	1	111234	MANIFOLD, GAS BASE, 300K BECKETT BURNER
7	1	112025	ASSEMBLY, FRONT BAFFLE, INSULATED, 300KBTU
6	11	111355	BURNER, BECKETT, TUBE, 1", GAS BASE AND STEAMCHEF
5	1	111447	ASSY, BURNER & IGNITOR
4	-	112027	ASSEMBLY, VALVE, LP GAS - 300 BTU, BECKETT GAS BURNER
3	-	112026	ASSEMBLY, VALVE, NATURAL GAS - 300 BTU, BECKETT GAS BURNER
2	2	1009801	INSULATION PANEL ASSY,R/L SIDE,REV BEND GEN
1	1	REF	BASE - GENERIC WELDMENT 900 & 10050M

SEE NOTE 2

SEE NOTE 2

ITEM	QTY	REF NO.	DESCRIPTION
<b>CLEVELAND RANGE, I.L.C.</b> 1333 East 179th St., Cleveland, Ohio 44110-2574 <small>THIS DESIGN DESCRIBES A PROPRIETARY ITEM AND IS THE PROPERTY OF CLEVELAND RANGE. THIS DRAWING IS NOT TO BE COPIED OR USED WITHOUT THE APPROVAL OF CLEVELAND RANGE.</small>			
TOLERANCES (UNLESS OTHERWISE NOTED)		DO NOT SCALE PRINTED DRAWING	DRAWN BY LPH DATE 8/14/2006
DECIMAL ± 0.030		TITLE INSTRUCTIONS - BURNER ASSEMBLY LARGE GAS 900M & 1050M	
ANGULAR ± 1°	SIZE D	DRAWING NO. 112030	SHEET 1 OF 1 REV B



SEE DETAIL "A"

SEE DETAIL "B"

DETAIL "A"  
INSTALL ITEM 9 AS SHOWN  
INSIDE GENERATOR

DETAIL "B"  
SEE DETAIL "C" FOR CAL. CODE OPTION

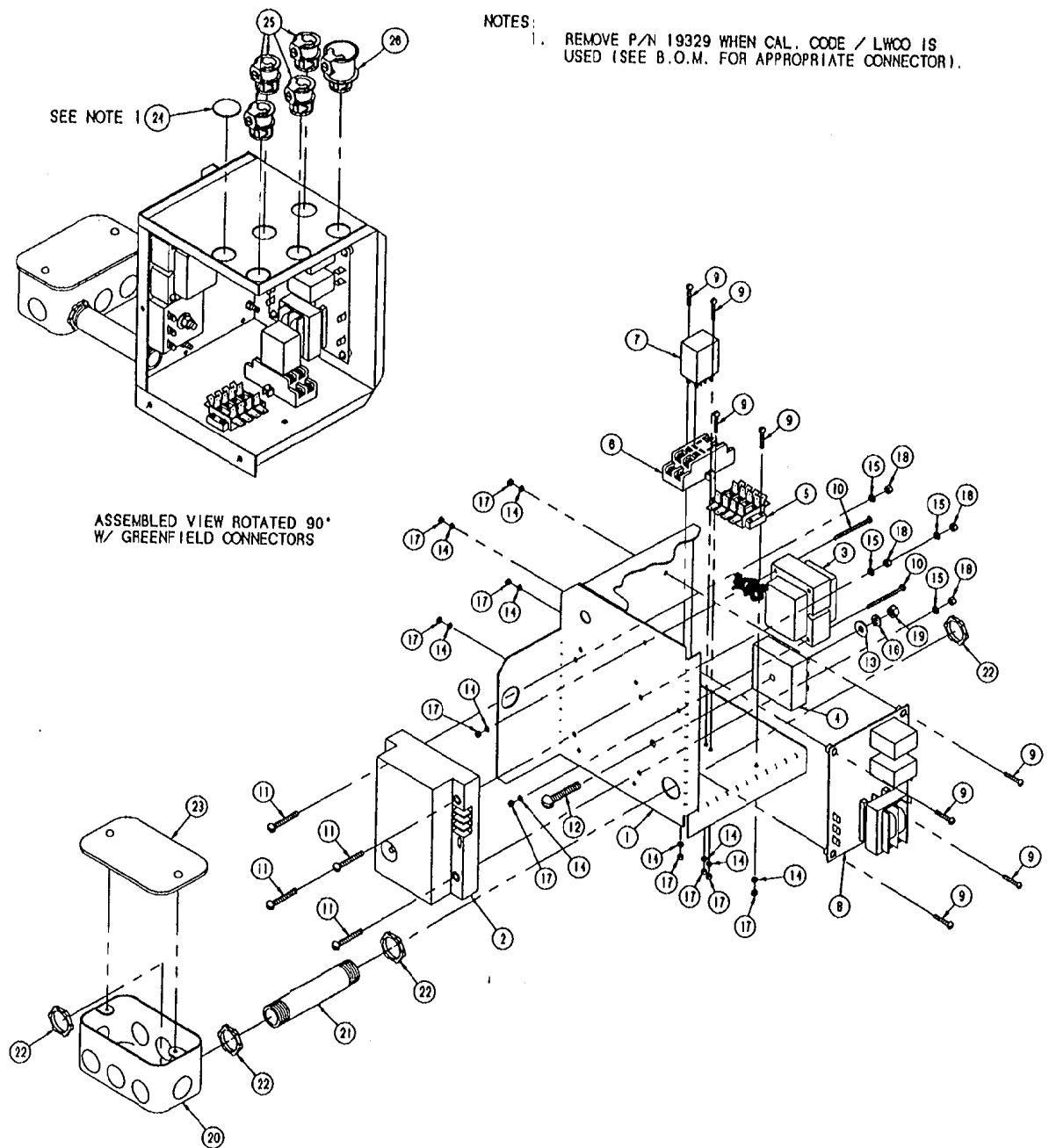
NO.	QTY.	PART NO.	DESCRIPTION
23	A/R	00934	SEALANT, RECTORSAL
22	4	19288	SCREW, HEX HEAD, 1/4-20 X 3/4
21	2	19218	SCREW, HEX HEAD, 1/4-20 X 3/8 S/S
20	4	23151	WASHER, INTERNAL TOOTH LOCK, 1/4
19	1	82452	EXTENSION, WATER PROBE 1/2 X 3-1/8
18	1	82453	EXTENSION, WATER PROBE, 1/2 X 4-5/8
17	2	18871	PROBE WARRICK, 4-5/16" LG
16	1	40421	HAND HOLE PLATE & BAR ASSM
15	1	07128	GASKET, HEATER
14	1	41943	PLATE, MOUNTING
13	1	18602	PLUG, SQUARE 1/2 PIPE, BLACK
12	8	23116	WASHER, FLAT, 1/4 S/S
11	8	23105	WASHER, SPLIT LOCK, 1/4 S/S
10	8	14618	NUT, HEX, 1/4 - 20 S/S
9	1	43895	ANODE ASSM CORROSION PREVENTATIVE
8	1	07302	GAUGE, WATER, 5/8 X 6, GLASS
7	1	07176	GAUGE, FITTINGS, WATER, 1/2"
6	2	89987	SUPPORT, GEN MTG CHANNEL 900/1050MM
5	3	19148	SCREW, HEX WASH HD, #10 X 1/2
4	3	105539	DISK, HOLE COVER, SIDE INSUL. PANEL
3	8	14283	FASTENER, PUSHNUT, 1/4" STUD DIA.
2	-	1009802	PANEL, INSULATION ASM, RT/LT LP
1	-	100980	PANEL, INSULATION ASM, RT/LT NAT GAS
1	1	407431	GENERATOR ASSY, GAS-WELDMENT

TOLERANCES (EXCEPT AS NOTED)				CLEVELAND RANGE INC. 1333 East 179th St. Cleveland, Ohio 44110-2574			
DECIMAL ± N/A	SCALE 3/16	DRAWN BY GRIVEAS	APPROVED BY M.T.	TITLE GAS GENERATOR ASSEMBLY 5/8 BURNER, W/ REFERENCE PARTS			
ANGULAR ± N/A	DATE 10-14-93			DRAWING NO. C-407431WP		REV. -	

THIS DESIGN DESCRIBES A PROPRIETARY ITEM AND IS THE PROPERTY OF CLEVELAND RANGE. THIS DRAWING IS NOT TO BE COPIED OR USED WITHOUT THE APPROVAL OF CLEVELAND RANGE.

NOTES:  
 1. REMOVE P/N 19329 WHEN CAL. CODE / LWCO IS USED (SEE B.O.M. FOR APPROPRIATE CONNECTOR).

SEE NOTE 1



ITEM	QTY.	PART NO.	DESCRIPTION
26	1	105246	CONNECTOR, GREENFIELD, 1/2" SHAPTTITE
25	4	105243	CONNECTOR, GREENFIELD, 3/8" SHAPTTITE
24	1	19329	PLUG, SNAP-IN, 1/2" FOR 1/8" HOLE
23	1	02368	COVER, HANDI-BOX
22	4	14614	NUT, LOCK, 1/2", ELECTRICAL
21	1	14334	NIPLLE, 1/2" x 4", BLACK
20	1	02361	BOX, HANDI-BOX, ELECTRICAL
19	1	14618	NUT, HEX, 1/4-20, S/S, FULL FINISH
18	4	14598	NUT, HEX, 8-32, ZINC PLATED
17	10	14674	NUT, HEX, 8-32, ZINC PLATED
16	1	23105	WASHER, SPLIT LOCK, 1/4", S/S
15	4	101337	WASHER, INTERNAL TOOTH LOCK, #8
14	10	23111	WASHER, INTERNAL TOOTH LOCK, #8
13	1	23116	WASHER, FLAT, 1/4" ID x .065" THK
12	1	19265	SCREW, ROUND HEAD, 1/4-20 x 1.5", S/S
11	8	19150	SCREW, ROUND HEAD SLOTTED, 8-32 x 1.25"
10	4	19149	SCREW, ROUND HEAD SLOTTED, 8-32 x 1.75"
9	2	19183	SCREW, ROUND HEAD SLOTTED, 8-32 x .75"
8	1	23198	CONTROL, WATER LEVEL
7	1	03524	RELAY, 120 V, 50/60Hz, AC, DPDT
6	1	03525	SOCKET, RELAY
5	1	44184	TERMINAL BLOCK ASM. - 4 POLE, GAS UNITS
4	1	20478	TIMER, SOLID STATE INTERVAL, 3 MINUTE
3	1	20258	TRANSFORMER - SPARK IGNITION SUPPLY
2	1	03516	CONTROL, MODULE, DIRECT SPARK IGNITION
1	1	44139	BOX, WELDMENT, ELECTRIC FOR GAS, 2 PROBE

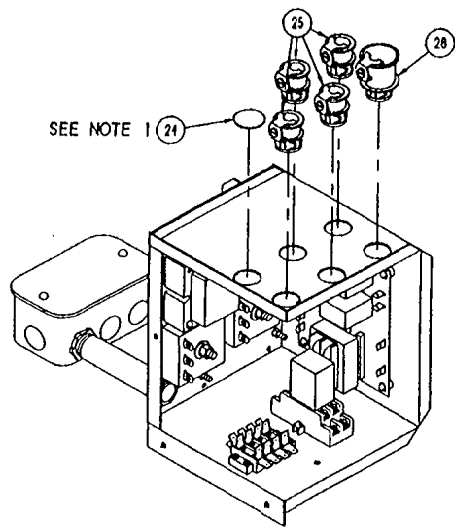
THIS DESIGN DESCRIBES A PROPRIETARY ITEM AND IS THE PROPERTY OF CLEVELAND RANGE. THIS DRAWING IS NOT TO BE COPIED OR USED WITHOUT THE APPROVAL OF CLEVELAND RANGE.

TOLERANCES (UNLESS OTHERWISE SPECIFIED)		CLEVELAND RANGE INC. 1303 East 179th St. Cleveland, Ohio 44110-2374	
DECIMAL ± 1/A	SCALE 3/8"=1	DRAWN BY E.GRIEVEAS	APPROVED BY
ANGULAR ± 1/A	TITLE BOX, ELECTRIC ASSEMBLY GAS - 2 PROBE		
DATE CK 2-15-94	DRAWING NO. C - 10092901	REV. -	

LET.	REVISIONS	DATE	BY
------	-----------	------	----

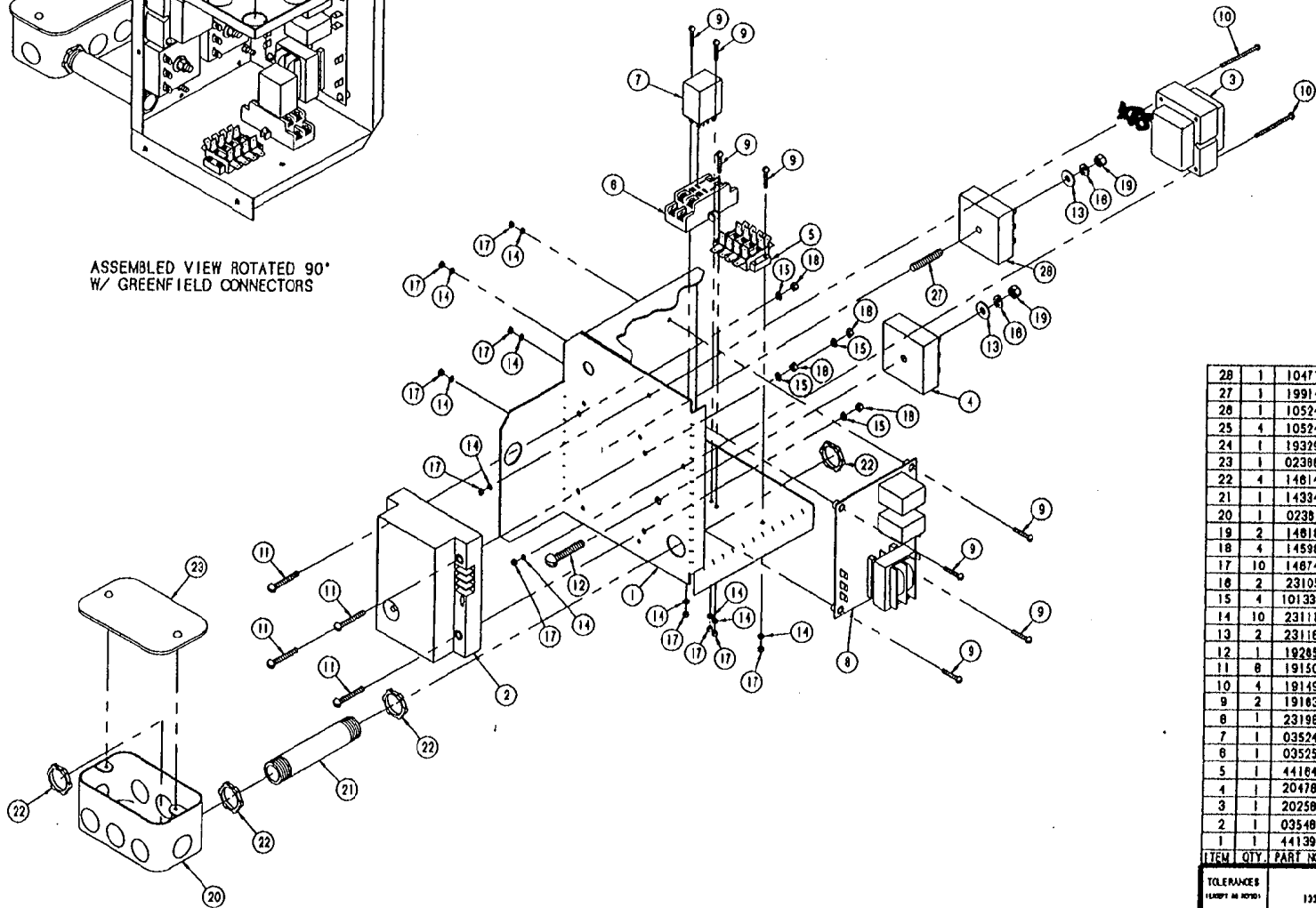
NOTES:

1. REMOVE P/N 19329 WHEN CAL. CODE / LWCO IS USED (SEE B.O.M. FOR APPROPRIATE CONNECTOR).



SEE NOTE 1

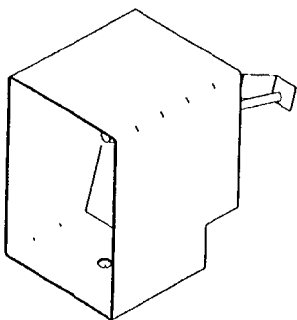
ASSEMBLED VIEW ROTATED 90°  
W/ GREENFIELD CONNECTORS



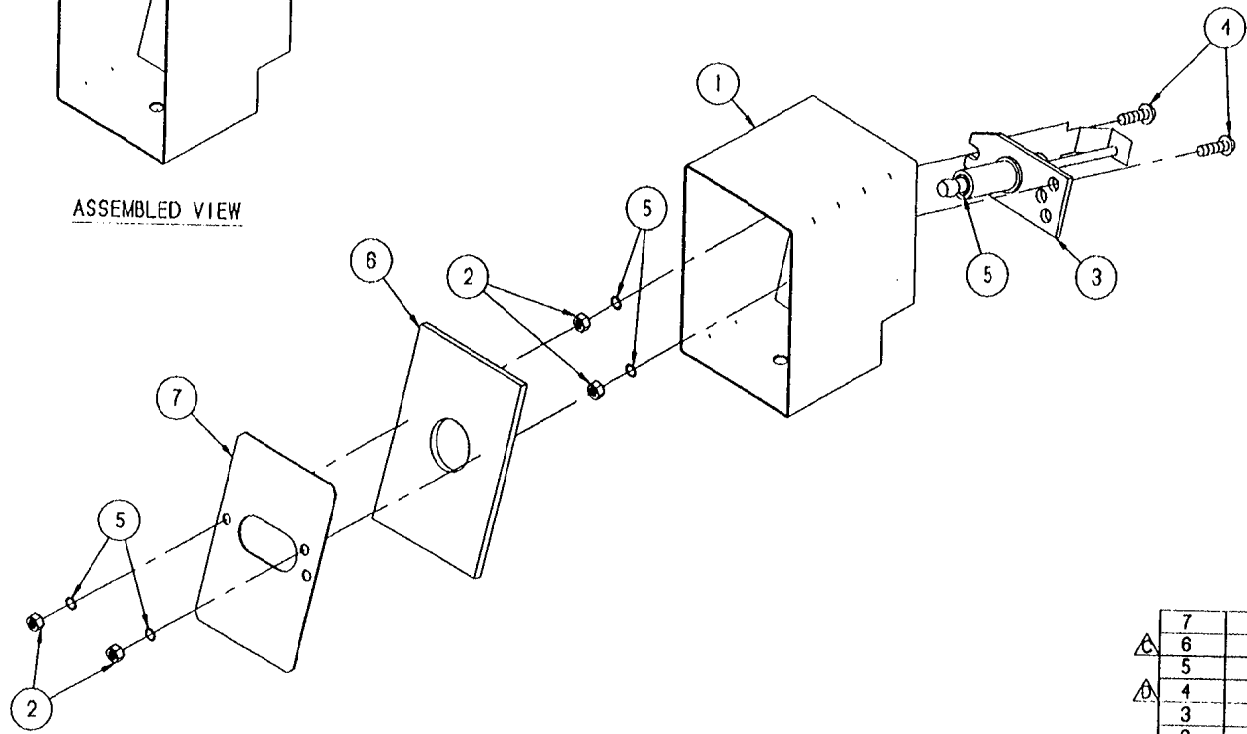
ITEM	QTY	PART NO.	DESCRIPTION
28	1	104718	TIMER, RECYCLING, GENERATOR W/BLOWDOWN
27	1	19914	STUD, WELD, STYLE F, 1/4-20 X 1-1/2, S/S
26	1	105248	CONNECTOR, GREENFIELD, 1/2" SHAPTEITE
25	4	105243	CONNECTOR, GREENFIELD, 3/8" SHAPTEITE
24	1	19329	PLUG, SNAP-IN, 1/2" FOR 1/8" HOLE
23	1	02398	COVER, HANDI-BOX
22	4	14814	NUT, LOCK, 1/2", ELECTRICAL
21	1	14334	HIPPLE, 1/2" x 4", BLACK
20	1	02381	BOX, HANDI-BOX, ELECTRICAL
19	2	14818	NUT, HEX, 1/4-20, S/S, FULL FINISH
18	4	14598	NUT, HEX, 8-32, ZINC PLATED
17	10	14874	NUT, HEX, 8-32, ZINC PLATED
16	2	23105	WASHER, SPLIT LOCK, 1/4", S/S
15	4	101337	WASHER, INTERNAL TOOTH LOCK, #8
14	10	23111	WASHER, INTERNAL TOOTH LOCK, #8
13	2	23118	WASHER, FLAT, 1/4" ID x .085" THK
12	1	19285	SCREW, ROUND HEAD, 1/4-20 x 1.5", S/S
11	8	19150	SCREW, ROUND HEAD SLOTTED, 8-32 x 1.25"
10	4	18149	SCREW, ROUND HEAD SLOTTED, 8-32 x 1.75"
9	2	19183	SCREW, ROUND HEAD SLOTTED, 8-32 x .75"
8	1	23198	CONTROL, WATER LEVEL
7	1	03524	RELAY, 120 V, 50/60HZ, AC, DPDT
6	1	03525	SOCKET, RELAY
5	1	44184	TERMINAL BLOCK ASM - 4 POLE, GAS UNITS
4	1	20478	TIMER, SOLID STATE INTERVAL, 3 MINUTE
3	1	20250	TRANSFORMER - SPARK IGNITION SUPPLY
2	1	03548	CONTROL, MODULE, DIRECT SPARK IGNITION
1	1	44139	BOX, WELDMENT, ELECTRIC FOR GAS, 2 PROBE

THIS DESIGN DESCRIBES A PROPRIETARY ITEM AND IS THE PROPER EVELAND RANGE. THIS DRAWING IS NOT TO BE COPIED OR USED WITHOUT THE APPROVAL OF CLEVELAND RANGE.

TOLERANCES UNLESS AS NOTED:		CLEVELAND RANGE, INC. 1333 East 1781st St., Cleveland, Ohio 44110-2574	
DECIMAL ± N/A	SCALE 3/8"=1"	DRAWN BY E. GRIVEAS	APPROVED BY
FRAXIA ± N/A	TITLE	BOX, ELECTRIC, ASSEMBLY	
		W/INTERMITTENT BLOWDOWN, G	
DATE 2-15-94	DRAWING NO. C - 10092902	REV	



ASSEMBLED VIEW



LET.	REVISIONS	DATE	BY
A	WAS C-44097	1-24-84	NEAL
B	ITEM 1 WAS C-52823, ECN 1054	3-6-86	DP
C	ADD P/N B-100314 FOR ITEM 6	3-12-86	DP
D	REDRAW WAS C SIZE, P/N 19163 WAS 19259, E.O. C-2558	2-7-94	EAG

7	1	88149	RETAINER, INSULATION
6	1	100314	INSULATION, IGNITOR BOX
5	5	23111	WASHER, LOCK, INTERNAL TOOTH, #6
4	2	19163	SCREW, #6-32 x .75" LG.
3	1	05101	ELECTRODE, COMBINATION IGNITOR/SENSOR
2	4	14874	NUT, #6-32, HEX
1	1	52808	BOX, IGNITOR, GEN. GAS, 2 PROBE
ITEM	QTY.	PART NO.	DESCRIPTION

TOLERANCES  
(EXCEPT AS NOTED)

**CLEVELAND RANGE INC.**  
1333 East 179th St. Cleveland, Ohio 44110-2574

DECIMAL ± N/A	SCALE 5/8=1	DRAWN BY E. LAWRENCE	APPROVED BY E. HENDESS
------------------	----------------	-------------------------	---------------------------

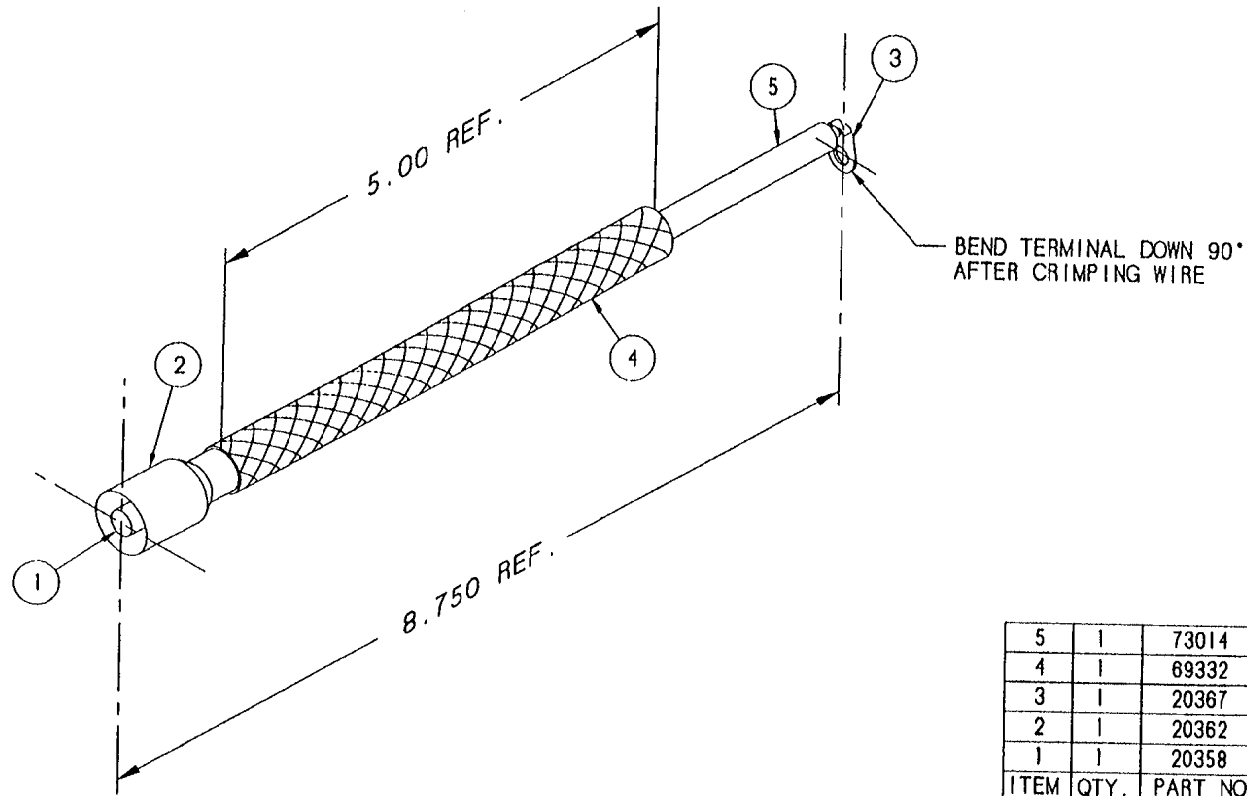
ANGULAR  
± N/A

TITLE  
BOX ASM, IGNITOR

CK	DATE 12-6-94	DRAWING NO. B - 44096	REV. D
----	-----------------	--------------------------	-----------

THIS DESIGN DESCRIBES A PROPRIETARY ITEM AND IS THE PROPERTY OF CLEVELAND RANGE. THIS DRAWING IS NOT TO BE COPIED OR USED WITHOUT THE APPROVAL OF CLEVELAND RANGE.

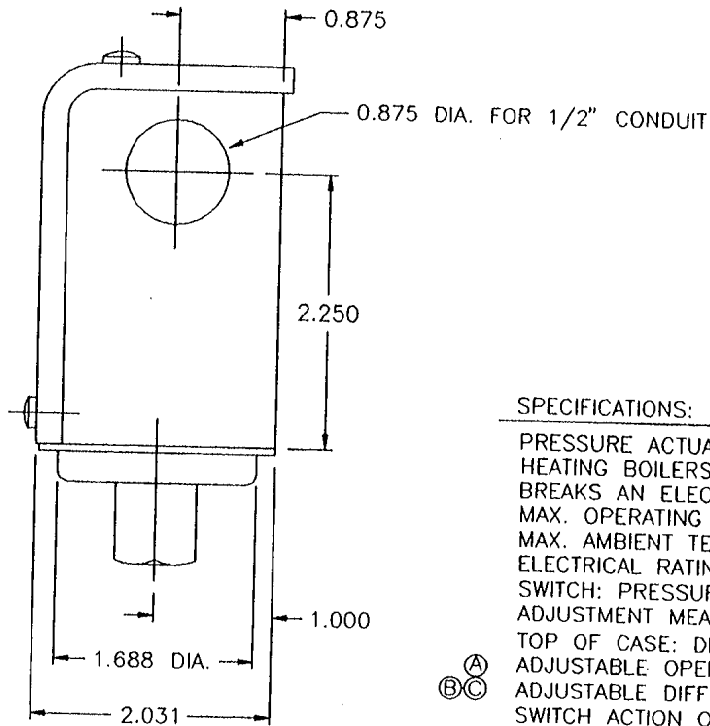
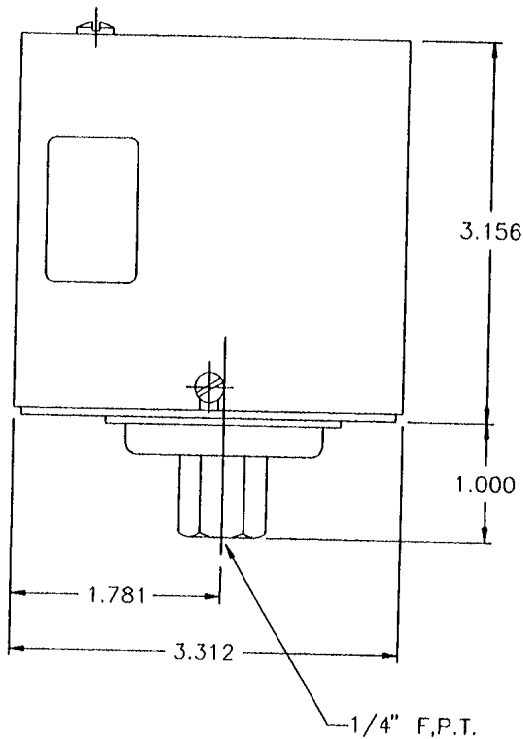
LET.	REVISIONS	DATE	BY
------	-----------	------	----



ITEM	QTY.	PART NO.	DESCRIPTION
5	1	73014	WIRE, RADIX, 9" LONG
4	1	69332	SLEEVE, FIBERGLASS 5" INSULATING
3	1	20367	TERMINAL RING-#6, NON-INSULATED
2	1	20362	INSULATOR, RED SILICONE
1	1	20358	TERMINAL, IGNITION CABLE

TOLERANCES (EXCEPT AS NOTED)		<b>CLEVELAND RANGE INC.</b> 1333 East 179th St. Cleveland, Ohio 44110-2574	
DECIMAL ± N/A	SCALE 1=1	DRAWN BY E. GRIVEAS	APPROVED BY
ANGULAR ± N/A	TITLE CABLE, IGNITION ASSEMBLY		
CK	DATE 11-09-93	DRAWING NO. B -44169	REV. -

THIS DESIGN DESCRIBES A PROPRIETARY ITEM AND IS THE PROPERTY OF CLEVELAND RANGE. THIS DRAWING IS NOT TO BE COPIED OR USED WITHOUT THE APPROVAL OF CLEVELAND RANGE.



LET.	REVISIONS	DATE	BY
A	REVISED ADJ. OPERATING RANGE SPEC.	11-28-84	RMC
-	WAS: 0.5 TO 9 PSI,	-	-
B	WAS: ADDITIVE DIFFERENTIAL	07-07-86	TS
C	WAS: ADJ. DIFFERENTIAL: 1 TO 5 PSI, EO #C-2276	07-31-92	CJP
D	MODEL NO. WAS PA404A (SUBTRACTIVE DIFFERENTIAL)	10-13-92	NLT
	E.O. #2276R1		

SPECIFICATIONS:

PRESSURE ACTUATED HIGH LIMIT SAFETY CONTROL FOR STEAM HEATING BOILERS.  
 BREAKS AN ELECTRICAL CIRCUIT ON PRESSURE RISES.  
 MAX. OPERATING PRESSURE: 20 PSI  
 MAX. AMBIENT TEMPERATURE: 150° F.  
 ELECTRICAL RATING: 8.0 F.L.A. AT 120V. AC  
 SWITCH: PRESSURE ACTUATED SPST, SNAP-ACTION  
 ADJUSTMENT MEANS: OPERATING RANGE SET POINT-SCREW ON TOP OF CASE; DIFFERENTIAL SET POINT-DIAL INSIDE OF CASE.  
 ADJUSTABLE OPERATING RANGE: 3 TO 15 PSI.  
 ADJUSTABLE DIFFERENTIAL: 1 TO 5 PSI; FACTORY SET AT 1 PSI  
 SWITCH ACTION ON PRESSURE FALL: MAKES AT SET POINT MINUS DIFFERENTIAL.  
 SWITCH ACTION ON PRESSURE RISE: BREAKS AT SET POINT.  
 MOUNTING MEANS: 1/4" FEMALE PIPE THREADS

(A)  
(B)  
(C)

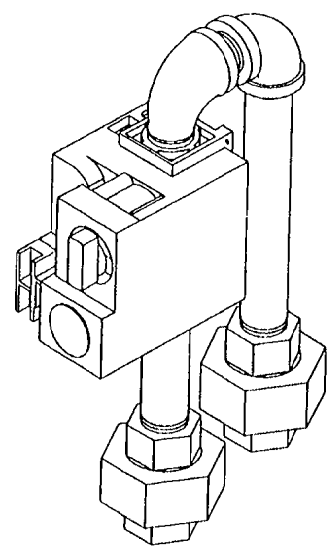
APPROVED SOURCE

- HONEYWELL  
 MODEL NO. PA404A-1066 Ⓢ  
 U.L. FILE NO. MP466  
 C.S.A. FILE NO. LR1620

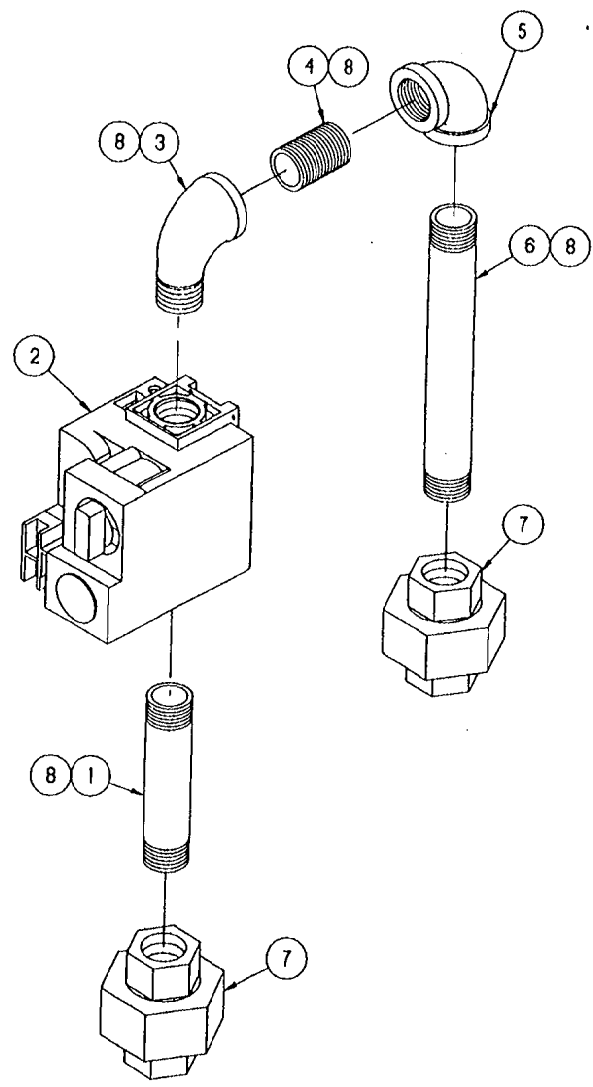
ITEM	QTY	PART NO.	DESCRIPTION
TOLERANCES (EXCEPT AS NOTED)		<b>CLEVELAND RANGE INC.</b> 1333 East 179th St. Cleveland, Ohio 44110-2574	
DECIMAL ±	-	SCALE 1=1	DRAWN BY RJB APPROVED BY
ANGULAR ±	1'	TITLE CONTROL, PRESSURE	
AC	DATE 09-08-76	DRAWING NO. B-19947	REV D

THIS DESIGN DESCRIBES A PROPRIETARY ITEM AND IS THE PROPERTY OF CLEVELAND RANGE.  
 THIS DRAWING IS NOT TO BE COPIED OR USED WITHOUT THE APPROVAL OF CLEVELAND RANGE.





ASSEMBLED VIEW



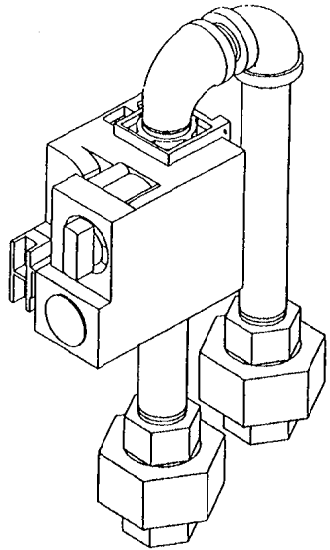
LET.	REVISIONS	DATE	BY
------	-----------	------	----

ITEM	QTY.	PART NO.	DESCRIPTION
8	A/R	00934	SEALANT, RECTORSEAL
7	2	21305	UNION, 3/4", BLACK
6	1	14362	NIPPLE, 3/4" x 7.5" LG., BLACK
5	1	05258	ELBOW, 3/4", 90°, BLACK
4	1	14343	NIPPLE, 3/4" x CLOSE, BLACK
3	1	05259	ELBOW, STREET, 90°, 3/4", BLACK
2	1	22230	VALVE, GAS CONTROL, NATURAL GAS
1	1	14347	NIPPLE, 3/4" x 3" LG., BLACK

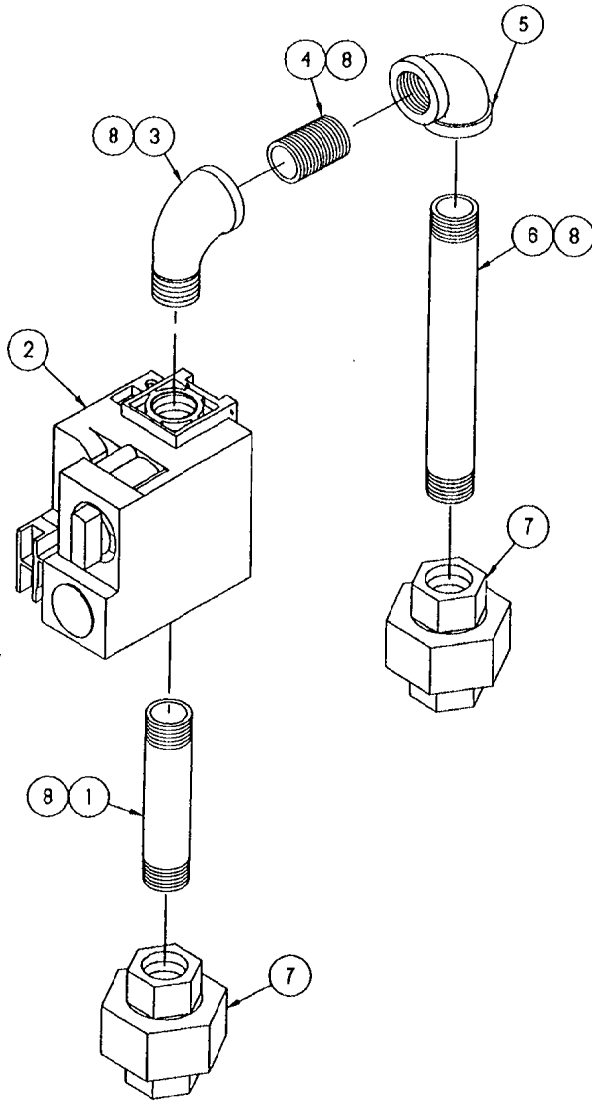
TOLERANCES (EXCEPT AS NOTED)		<b>CLEVELAND RANGE INC.</b> 1333 East 179th St. Cleveland, Ohio 44110-2574	
DECIMAL ± N/A	SCALE 3/8=1	DRAWN BY E. GRIVEAS	APPROVED BY NLT
ANGULAR ± N/A	TITLE VALVE ASSEMBLY, NATURAL GAS- 250/300 BTU		
CK	DATE 11-08-93	DRAWING NO. B - 43664	REV. -

THIS DESIGN DESCRIBES A PROPRIETARY ITEM AND IS THE PROPERTY OF CLEVELAND RANGE. THIS DRAWING IS NOT TO BE COPIED OR USED WITHOUT THE APPROVAL OF CLEVELAND RANGE.

LET.	REVISIONS	DATE	BY
------	-----------	------	----



ASSEMBLED VIEW



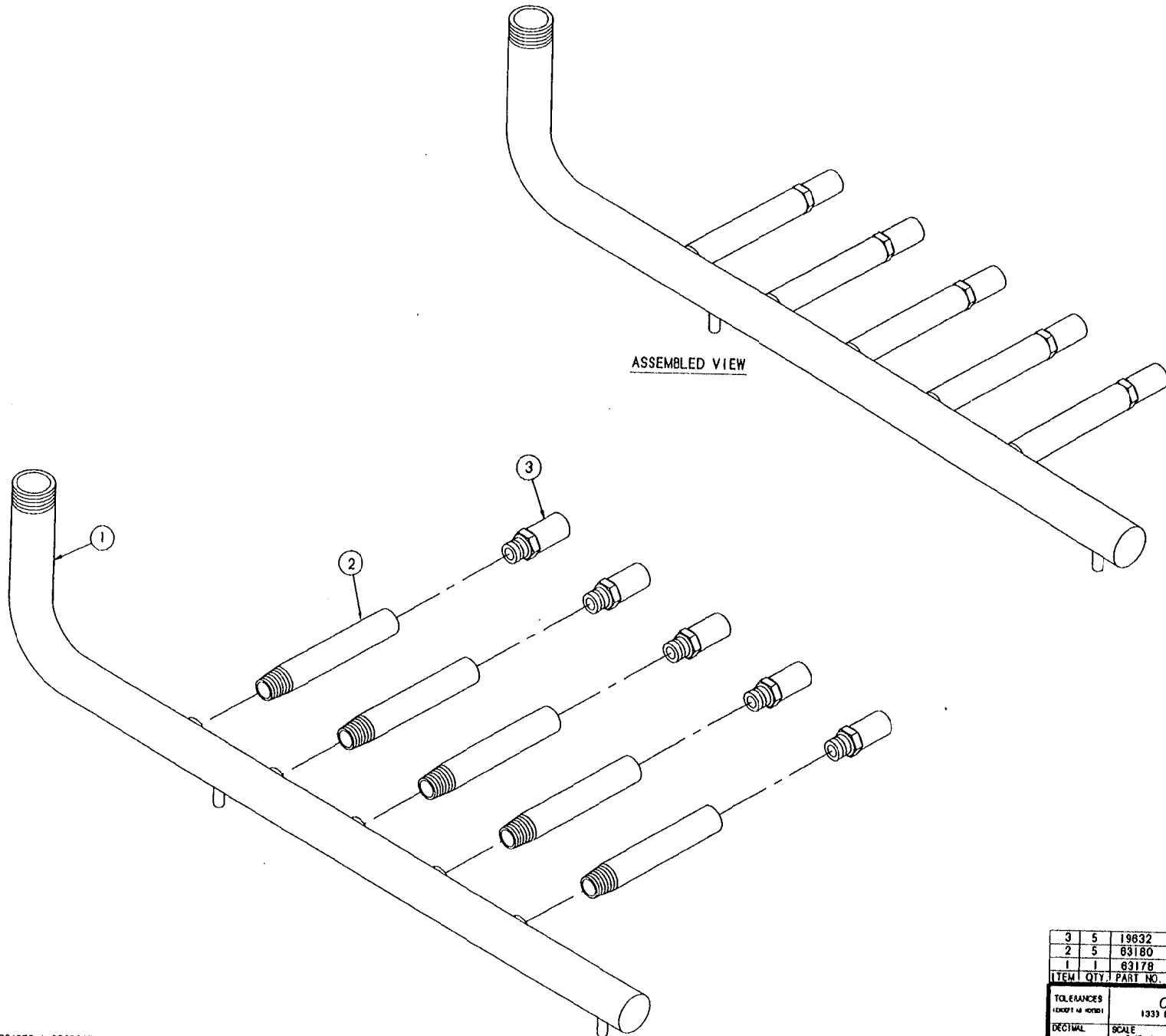
8	A/R	00934	SEALANT, RECTORSEAL
7	2	21305	UNION, 3/4", BLACK
6	1	14362	NIPPLE, 3/4" x 7.5" LG., BLACK
5	1	05258	ELBOW, 3/4", 90°, BLACK
4	1	14343	NIPPLE, 3/4" x CLOSE, BLACK
3	1	05259	ELBOW, STREET, 90°, 3/4", BLACK
2	1	22231	VALVE, GAS CONTROL FOR LP
1	1	14347	NIPPLE, 3/4" x 3" LG., BLACK

ITEM	QTY.	PART NO.	DESCRIPTION
------	------	----------	-------------

TOLERANCES (EXCEPT AS NOTED)		<b>CLEVELAND RANGE INC.</b> 1333 East 179th St. Cleveland, Ohio 44110-2574	
DECIMAL ± N/A	SCALE 3/8=1	DRAWN BY E. GRIVEAS	APPROVED BY NLT
ANGULAR ± N/A	TITLE VALVE ASSEMBLY, LIQUID PROPANE- 25' 300 BTU		
CK	DATE 11-09-93	DRAWING NO. B - 43674	REV. -

THIS DESIGN DESCRIBES A PROPRIETARY ITEM AND IS THE PROPERTY OF CLEVELAND RANGE. THIS DRAWING IS TO BE COPIED OR USED WITHOUT THE APPROVAL OF CLEVELAND RANGE.

ASSEMBLED VIEW

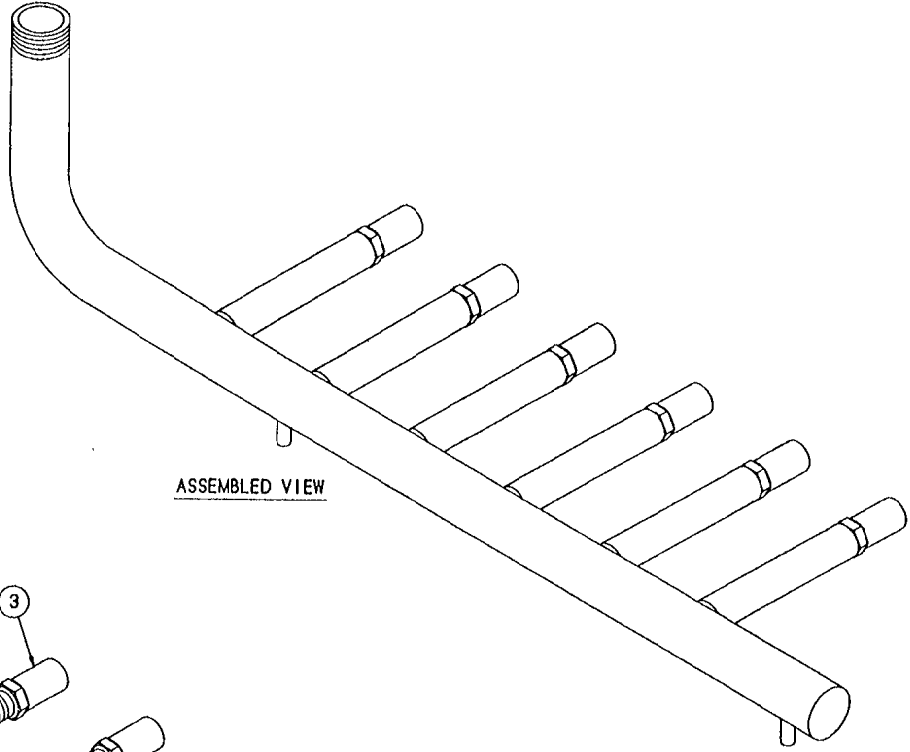


THIS DESIGN DESCRIBES A PROPRIETARY ITEM AND IS THE PROPERTY OF CLEVELAND RANGE. THIS DRAWING IS NOT TO BE COPIED OR USED WITHOUT THE APPROVAL OF CLEVELAND RANGE.

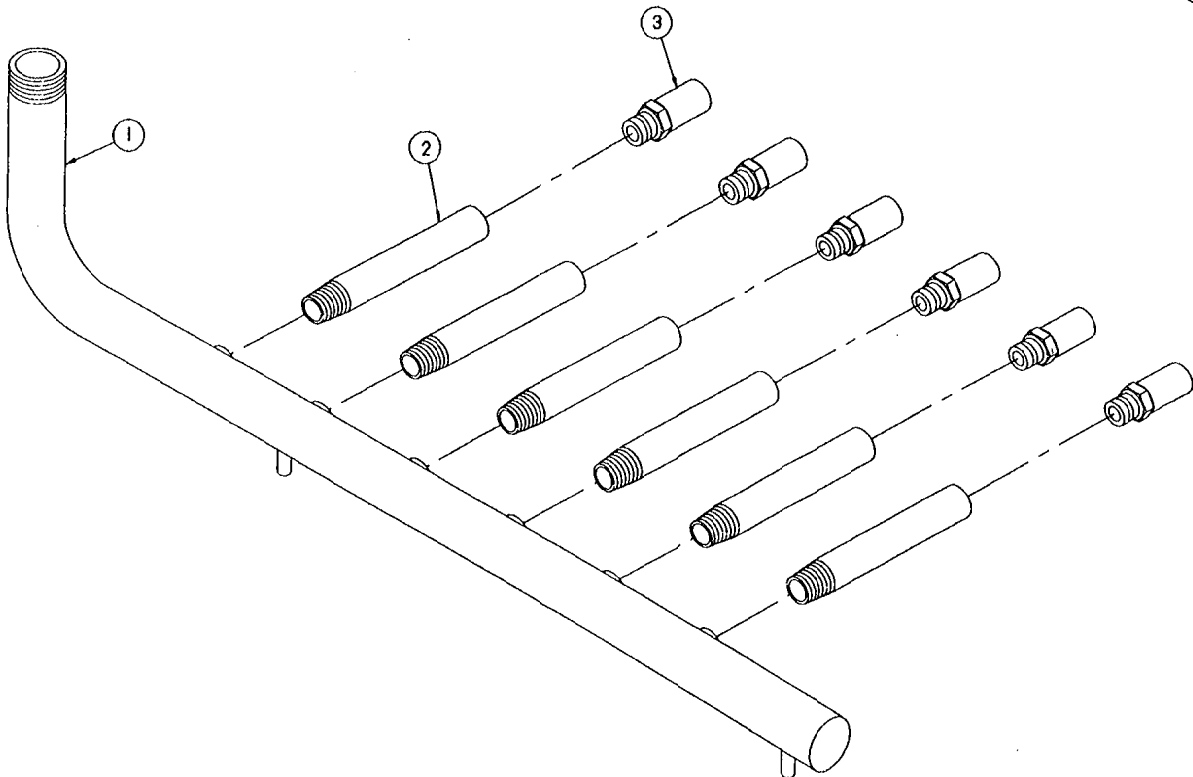
ITEM	QTY.	PART NO.	DESCRIPTION
3	5	19832	SPUDS, ORIFICE HOLDER, 5/8"
2	5	83180	EXTENSION, GAS MANIFOLD
1	1	83178	MANIFOLD, TUBE, 5 BURNER, GAS
			DESCRIPTION

<b>TOLERANCES</b> <small>(UNLESS OTHERWISE SPECIFIED)</small>			
DECIMAL	SCALE	DRAWN BY	APPROVED BY
+ N/A	5/8±1	E. GRIVEAS	NLT
ANGULAR	TITLE	CLEVELAND RANGE INC. 1333 East 179th St., Cleveland, Ohio 44110-2574	
+ N/A	MANIFOLD, ASSM, R/B 5 BURNER, GAS, 250 KBTU		
OK	DATE 11-10-93	DRAWING NO. C - 40921	REV. -



ASSEMBLED VIEW



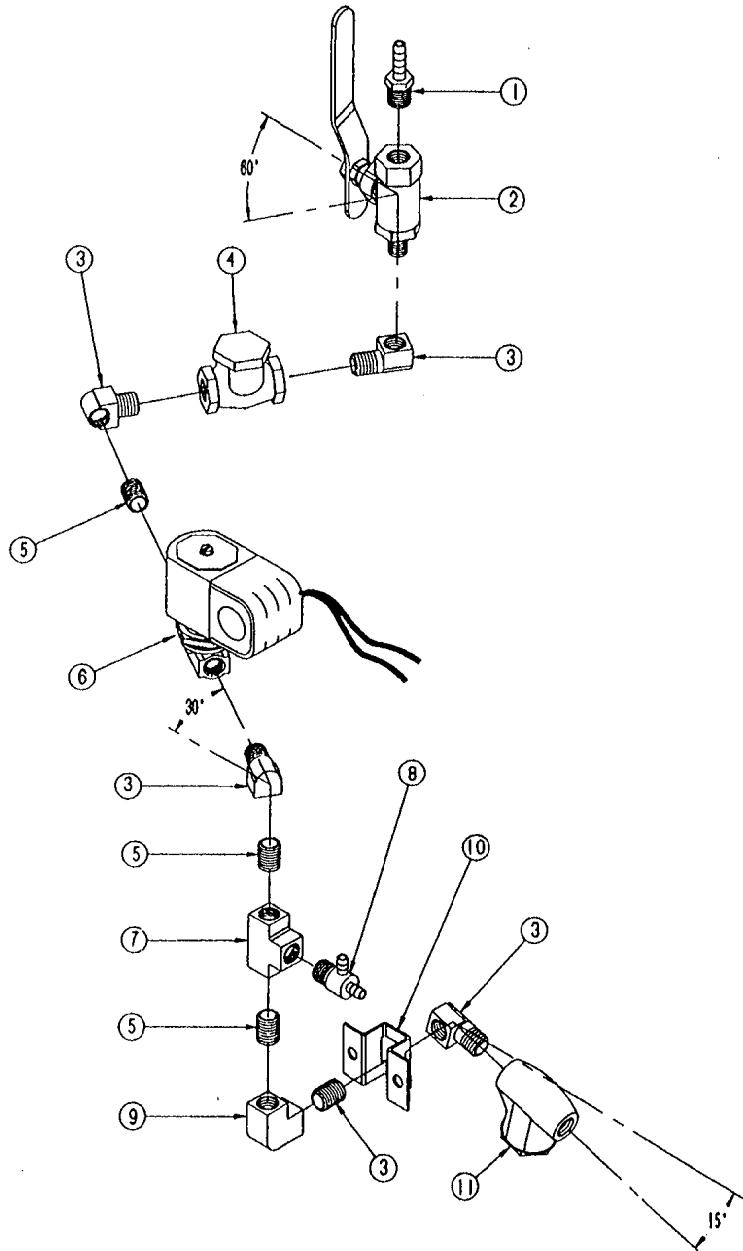
3	6	19632	SPUDS, ORIFICE HOLDER, 5/8"
2	6	63180	EXTENSION, GAS MANIFOLD
1	1	63179	MANIFOLD, TUBE, & BURNER, GAS
ITEM	QTY.	PART NO.	DESCRIPTION

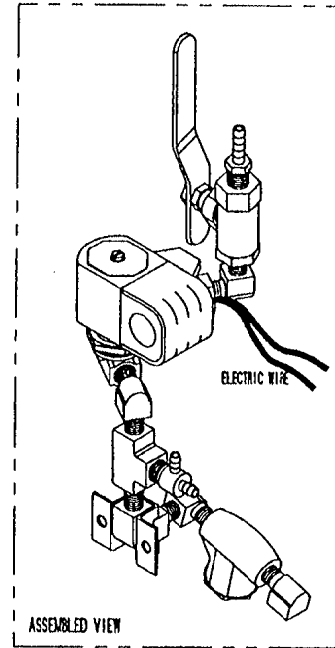
TOLERANCES (EXCEPT AS NOTED)			
DECIMAL	SCALE	CLEVELAND RANGE INC. 1333 East 179th St. Cleveland, Ohio 44110-2574	
± N/A	3/8±1	DRAWN BY E. GR1	APPROVED BY MLT
ANGULAR	TITLE	MANIFOLD, TUBE, & BURNER, GAS	
± N/A	± N/A	DATE	REV
		11 10 00	1

THIS DESIGN DESCRIBES A PROPRIETARY ITEM AND IS THE PROPERTY OF CLEVELAND RANGE. THIS DRAWING IS NOT TO BE COPIED OR USED WITHOUT THE APPROVAL OF CLEVELAND RANGE.

NOTE: 1. MOUNT P/N 100064 TO LOWER RIGHT FRONT CUSSET (BASE FRAME).



THIS DESIGN DESCRIBES A PROPRIETARY ITEM AND IS THE PROPERTY OF CLEVELAND RANGE. THIS DRAWING IS NOT TO BE COPIED OR USED WITHOUT THE APPROVAL OF CLEVELAND RANGE.



LET	DESCRIPTIONS	DATE	BY
G	ADDED 440702 PER E.O. C-1789	09-21-90	GS
H	P/N 08218 REMOVED FROM 440702 PER E.O. IC-1994	08-13-91	PJD
J	P/N 08195 REMOVED FROM 440702 PER E.O. IC-2082	11-26-91	SM
K	MOVED 440701 TO SEPERATE DRAWING	01-21-92	SM
L	NEW VALVE HOUSING ON P/N 22223 (PICTORIAL ONLY) E.O. IC-2221 RI	02-04-93	PJD
M	REMOVED ASSY 440702, P/N 104381 WAS 08218, P/N 108588 WAS 08195, PER E.O. IC-2448	08-22-93	EAG

SEE NOTE 1



QTY.	ITEM	PART No.	DESCRIPTION
	11	19870	STRAINER, "V" 1/4
	1	100064	CLAMP, MOUNTING
	1	9	05236 ELBOW, 1/4 90° BRASS
	1	8	108588 TEE, 1/4" HOSE BARB
	1	7	20159 TEE, 1/4 BRASS
	1	6	22223 VALVE, SOLENOID 1/4 NPT (GP2001
	4	4	14301 NIPPLE, CLOSE 1/4 BRASS
	1	4	22102 VALVE, CHECK 1/4 NPT
	4	3	05235 ELBOW, STREET 1/4-90 BRASS
	1	2	03278 VALVE, BALL 1/4 NPT
	1	1	104381 FITTING, HOSE 1/4 H X 1/4 NPT

TOLERANCES UNLESS OTHERWISE NOTED			
DECIMAL	SCALE	DRAWN BY	
2	1/2	ABDU	APPROVED BY
ANGULAR	TITLE		
2	PIPING ASSY., WATER FEED CONVECTION STEAMER ELECTRIC, AND GAS		
DATE	DRAWING NO.		REV.
09-14-90	C- 44070		M

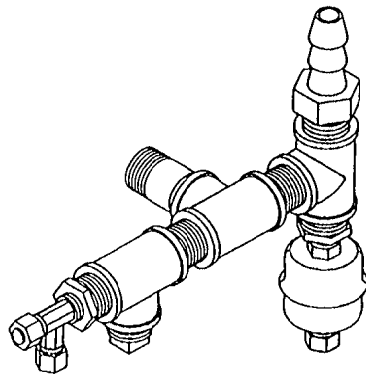
CLEVELAND RANGE INC.

1333 East 179th St. Cleveland, Ohio 44110-2574

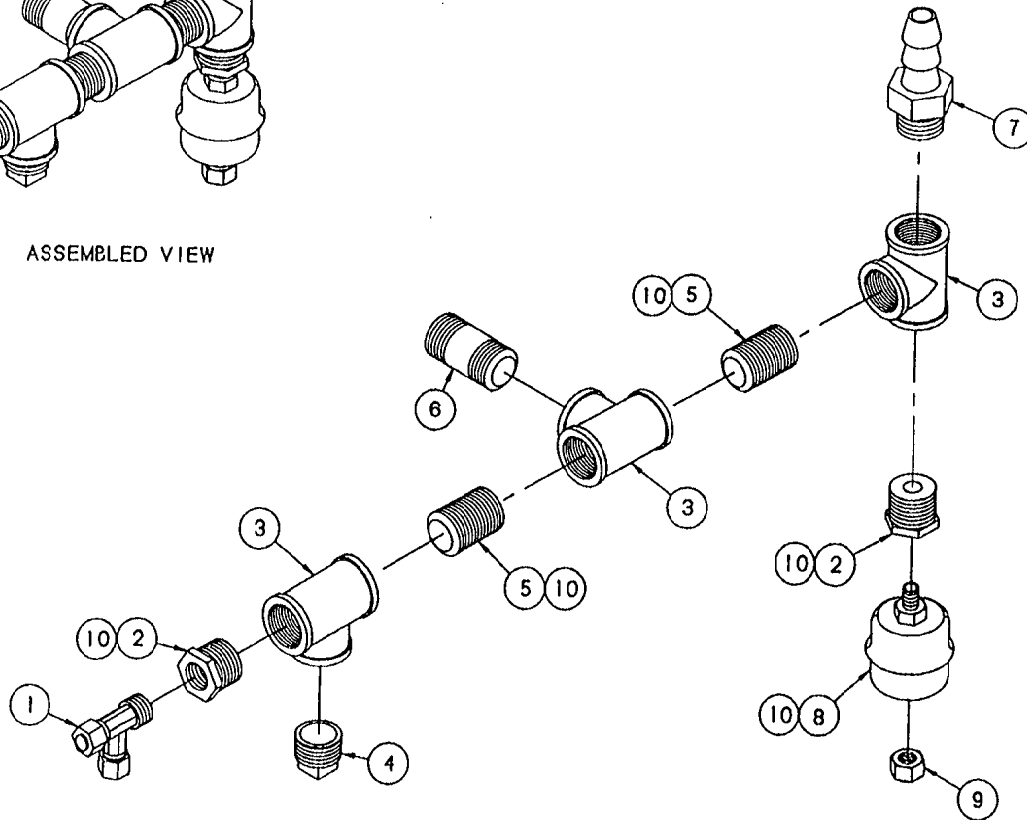
OK

LET.

DATE BY



ASSEMBLED VIEW



THIS DESIGN DESCRIBES A PROPRIETARY ITEM AND IS THE PROPERTY OF CLEVELAND RANGE. THIS DRAWING IS NOT TO BE COPIED OR USED WITHOUT THE APPROVAL OF CLEVELAND RANGE.

ITEM	QTY.	PART NO.	DESCRIPTION
10	A/R	00934	SEALANT, RECTORSAL
9	1	14681	NLT, COMPRESSION, 1/4 TUBE, BRASS
8	1	101207	TRAP, THERMOSTATIC, 1/4" X 1/4"
7	1	08240	FITTING, HOSE BARB 3/4 HOSE X 3/4 MPT BRASS
6	1	14431	NIPPLE, 3/4 X 2, BRASS
5	2	14342	NIPPLE, 3/4 X CLOSE, BRASS
4	1	18807	PLUG, SQUARE HEAD, 3/4, BRASS
3	3	20298	TEE, 3/4 BRASS
2	2	02583	BUSHING, REDUCING, 3/4 X 1/4, BRASS
1	1	100883	FITTING, COMPR., TEE 3/8T X 3/8MPT X 3/8T

TOLERANCES  
(EXCEPT AS NOTED)

CLEVELAND RANGE INC.  
1333 East 179th St., Cleveland, Ohio 44110-2574

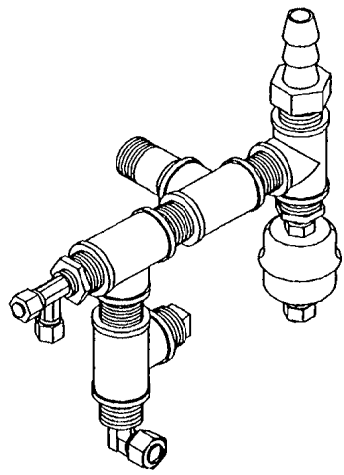
DECIMAL SCALE 1/2=1  
± N/A

DRAWN BY E. GRIVEAS  
APPROVED BY NLT

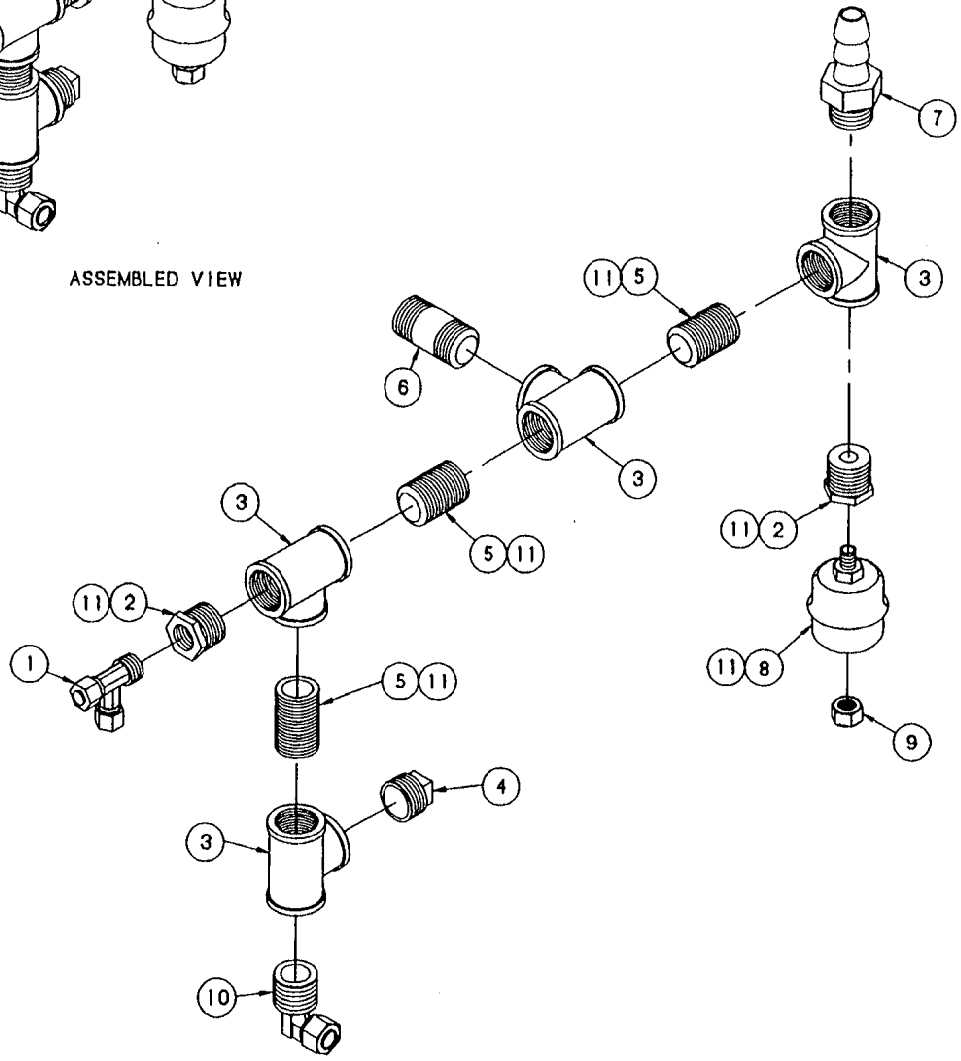
ANGULAR TITLE  
± N/A

STEAM OUTLET ASSEMBLY  
REV. BEND GENERAL  
2V. 21

DATE 10-07-00  
DRAWING NO. C-100100  
REV.



ASSEMBLED VIEW

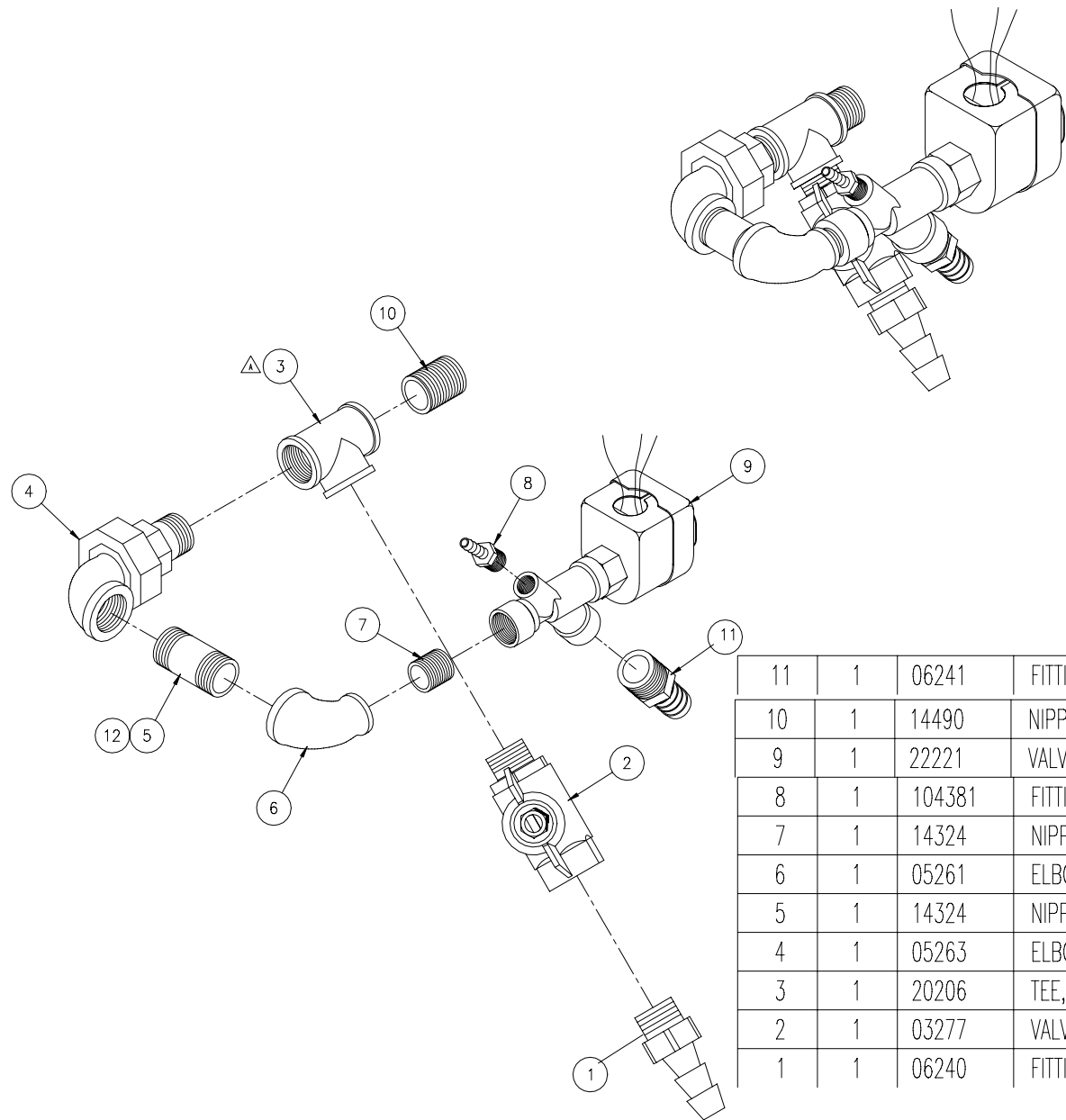


ITEM	QTY.	PART NO.	DESCRIPTION
11	A/R	00934	SEALANT, RECTORSEAL
10	1	06187	FITTING, COMPR., 90 DEG. 1/2T X 3/4MPT
9	1	14881	NUT, COMPRESSION, 1/4 TUBE, BRASS
8	1	101207	TRAP, THERMOSTATIC, 1/4" X 1/4"
7	1	06240	FITTING, HOSE BARB 3/4 HOSE X 3/4 MPT BRASS
6	1	14431	NIPPLE, 3/4 X 2, BRASS
5	3	14342	NIPPLE, 3/4 X CLOSE, BRASS
4	1	18807	PLUG, SQUARE HEAD, 3/4, BRASS
3	4	20208	TEE, 3/4 BRASS
2	2	02563	BUSHING, REDUCING, 3/4 X 1/4, BRASS
1	1	100883	FITTING, COMPR., TEE 3/8T X 3/8MPT X 3/8T

<b>TOLERANCES</b> <small>(EXCEPT AS NOTED)</small>			
<b>CLEVELAND RANGE INC.</b> 1333 East 179th St. Cleveland, Ohio 44110-2574			
DECIMAL ± N/A	SCALE 1/2=1	DRAWN BY D. DODSON	APPROVED BY MLT
ANGULAR ± N/A	TITLE STEAM OUTLET ASSY., 42CREW/42CHGM REV. BEND GENERATOR		
CK	DATE 2-03-94	DRAWING NO. C - 428126	REV. -

THIS DESIGN DESCRIBES A PROPRIETARY ITEM AND IS THE PROPERTY OF CLEVELAND RANGE. THIS DRAWING IS NOT TO BE COPIED OR USED WITHOUT THE APPROVAL OF CLEVELAND RANGE.

LET.	REVISIONS	DATE	BY
------	-----------	------	----



11	1	06241	FITTING, HOSE BARB, 3/4"H x 1/2"MPT
10	1	14490	NIPPLE, 3/4" x CLOSE, S/S
9	1	22221	VALVE, ASCO HV220649
8	1	104381	FITTING, HOSE BARB, 1/4"H x 1/4" NPT
7	1	14324	NIPPLE, 1/2" x CLOSE, BRASS
6	1	05261	ELBOW, 3/4" x 1/2" x 90°
5	1	14324	NIPPLE, 3/4" x 2", BRASS
4	1	05263	ELBOW, 90° RADIATOR, 3/4"
3	1	20206	TEE, 3/4", BRASS
2	1	03277	VALVE, BALL, 3/4" (W/OUT HANDLE)
1	1	06240	FITTING, HOSE BARB, 3/4"H x 3/4" MPT

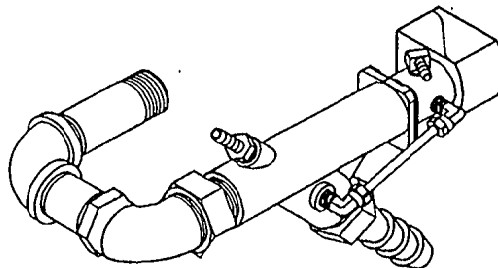
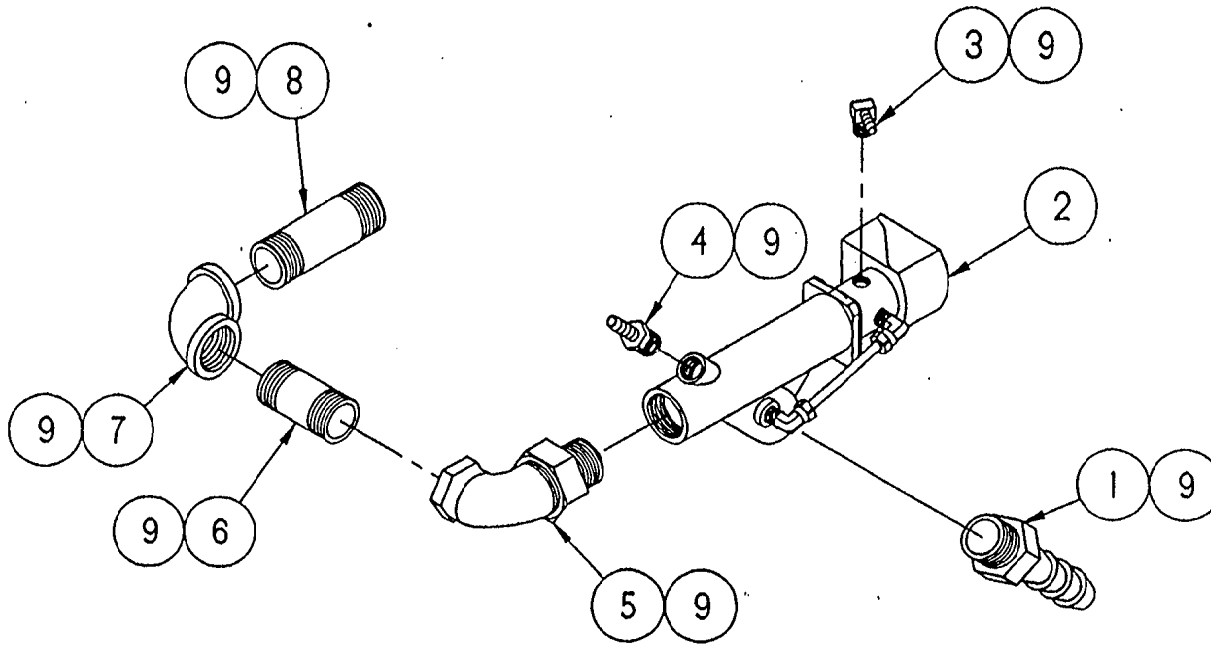
ITEM	QTY	PART NO.	DESCRIPTION
<b>CLEVELAND RANGE, LLC</b>			
1333 East 179th St., Cleveland, Ohio 44110-2574			
<small>THIS DESIGN DESCRIBES A PROPRIETARY ITEM AND IS THE PROPERTY OF CLEVELAND RANGE. THIS DRAWING IS NOT TO BE COPIED OR USED WITHOUT THE APPROVAL OF CLEVELAND RANGE.</small>			
TOLERANCES (UNLESS OTHERWISE NOTED)	DO NOT SCALE PRINTED DRAWING	DRAWN BY S.MILEWSKI	DATE 7-18-91
DECIMAL ±.030	TITLE PIPING ASSEMBLY, BLOWDOWN 600 MM, GAS		
ANGULAR ± 1°	SIZE C	DRAWING NO. 40811	SHEET 1 OF 1 REV J



NOTES:

1. ROTATE TOWARDS S/S NIPPLE ABOUT 45° FOR SMALL GAS PRESSURES (J).

LET	REVISIONS	DATE	BY
A	P/N 20208 WAS 20219. EO #2013	11-13-91	SM
B	ROTATED P/N 03277 & ADDED NOTE 1	01-18-92	SM
C	P/N 08210 WAS 08211, P/N 22211 WAS 22211, P/N 104381 WAS 08218, P/N 05280 WAS 05281, P/N 14495 WAS 14490, P/N 105787 ADDED, AND P/Ns 03277, 20208 & 14324 OMITTED PER E.O. #C-2118	08-18-93	PJO

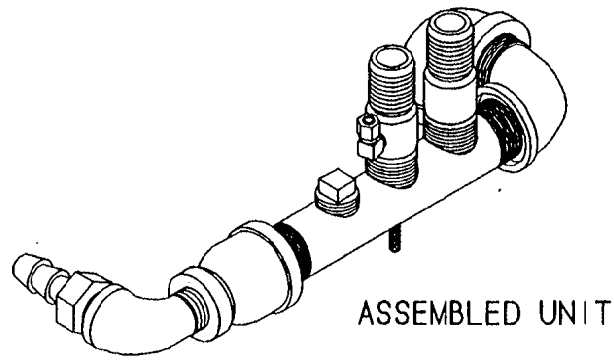
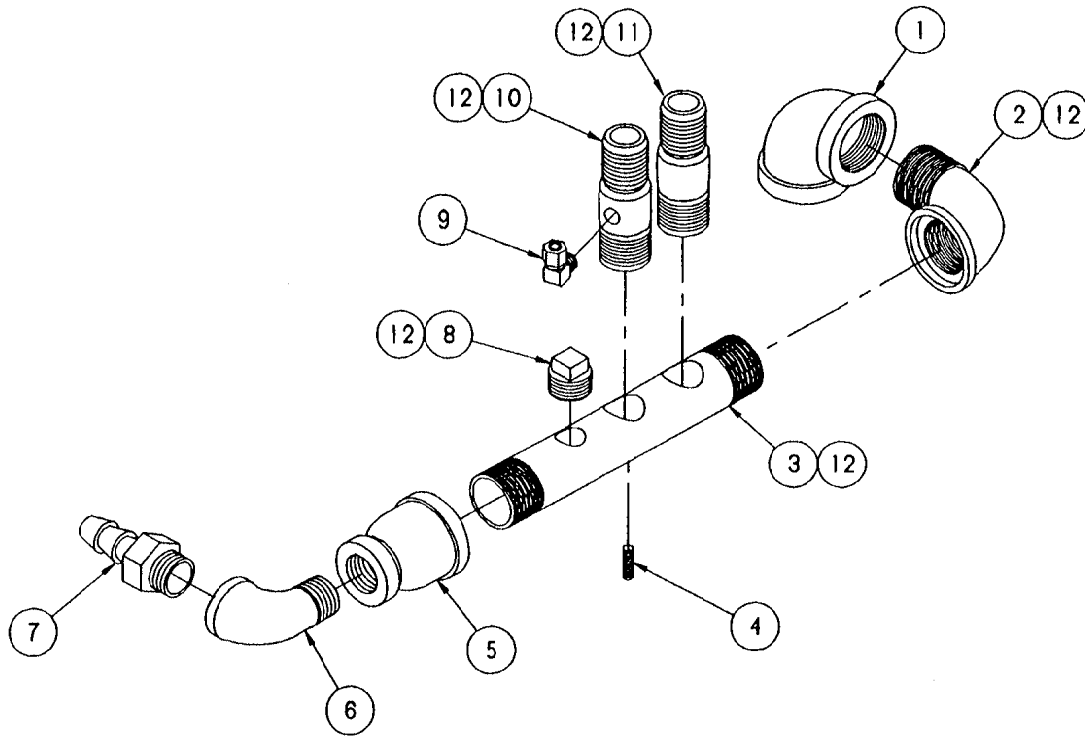


NO.	QTY.	PART NO.	DESCRIPTION
9	1	00931	SEALANT, RECTORSIL
8	1	14495	NIPPLE, 3/4 NPT X 3, S/S
7	1	05280	ELBOW, 3/4 X 3/4, 90°
6	1	14431	NIPPLE, 3/4 X 2, BRASS
5	1	05283	ELBOW, RADIATOR, 3/4 X 90°
4	1	104381	FITTING, HOSE BARB, 1/4 H X 1/4 NPT
3	1	105787	FITTING, HOSE BARB, 1/4 H X 1/8 NPT 90°
2	1	22211	VALVE, SOLENOID, 1/2", 15 PSI
1	1	08240	FITTING, HOSE BARB, 3/4 H X 3/4 NPT

<b>CLEVELAND RANGE INC.</b> 1333 East 179th St. Cleveland, Ohio 44110-2571			
DECIMAL	SCALE	DRAWN BY	APPROVED BY
± N/A	H. T. S.	S. MILEWSKI	DIP
ANGULAR	TITLE		
± N/A	PIPING ASSEMBLY, BLOWDOWN 380CCN, 380CM16, 380CCN, PCM		
OK	DATE	DRAWING NO.	REV.
	11-07-91	C - 408111	C

THIS DESIGN DESCRIBES A PROPRIETARY ITEM AND IS THE PROPERTY OF CLEVELAND RANGE. THIS DRAWING IS NOT TO BE COPIED OR USED WITHOUT THE APPROVAL OF CLEVELAND RANGE.

LET.	REVISIONS	DATE	BY
-	PRODUCTION RELEASE E.O. 1C-1994	08-23-91	PJD
A	P/N 14347 & 20205 OMITTED AND P/N 08240 WAS QTY. OF 2 PER E.O. 4C-2448	08-22-93	PJD



ITEM	QTY.	PART NO.	DESCRIPTION
12	A/R	00934	SEALANT, RECTORSEAL
11	1	14481	FITTING, BARB 1" H X 1" MPT S/S
10	1	585191	FITTING, HOSE, DRAIN MANIFOLD W/ 1/8 HOLE
9	1	08192	FITTING, COMP. 1/4 T X 1/8 MPT 90°
8	1	18808	PLUG, SQ. HEAD, 3/4" PIPE, BLACK
7	1	08240	FITTING, HOSE BARB 3/4 H X 3/4 MPT
6	1	05259	ELBOW, STREET 3/4 X 90°, BLACK
5	1	03816	COUPLING, RED. 1-1/2 X 3/4, BLACK
4	1	19917	STUD, WELD 1/4-20 X 7/8, S/S
3	1	13252	MANIFOLD, DRAIN 1-1/2 NPT, BLACK
2	1	05292	ELBOW, STREET 1-1/2 NPT X 90° BLACK
1	1	05238	ELBOW, 1-1/2 NPT X 90°, BLACK

TOLERANCES (EXCEPT AS NOTED)		CLEVELAND RANGE INC. 1333 East 179th St. Cleveland, Ohio 44110-2574	
DECIMAL ± N/A	SCALE 1/2"	DRAWN BY E. J. D.	APPROVED BY
ANGULAR ± N/A	TITLE PIPING ASSEMBLY, DRAIN 38CGM/SM, 38CGM/LG, 38CEM, 24CSM, 38CSM		
CK	DATE 08-13-91	DRAWING NO. C - 31	REV. A

THIS DESIGN DESCRIBES A PROPRIETARY ITEM  
AND IS THE PROPERTY OF CLEVELAND RANGE.  
THIS DESIGN IS NOT TO BE COPIED OR USED  
WITHOUT THE APPROVAL OF CLEVELAND RANGE.