

# Parts Manual

## Floor Type Gas Convection Steamer



### Series: Classic Gas Boiler Base Steamer

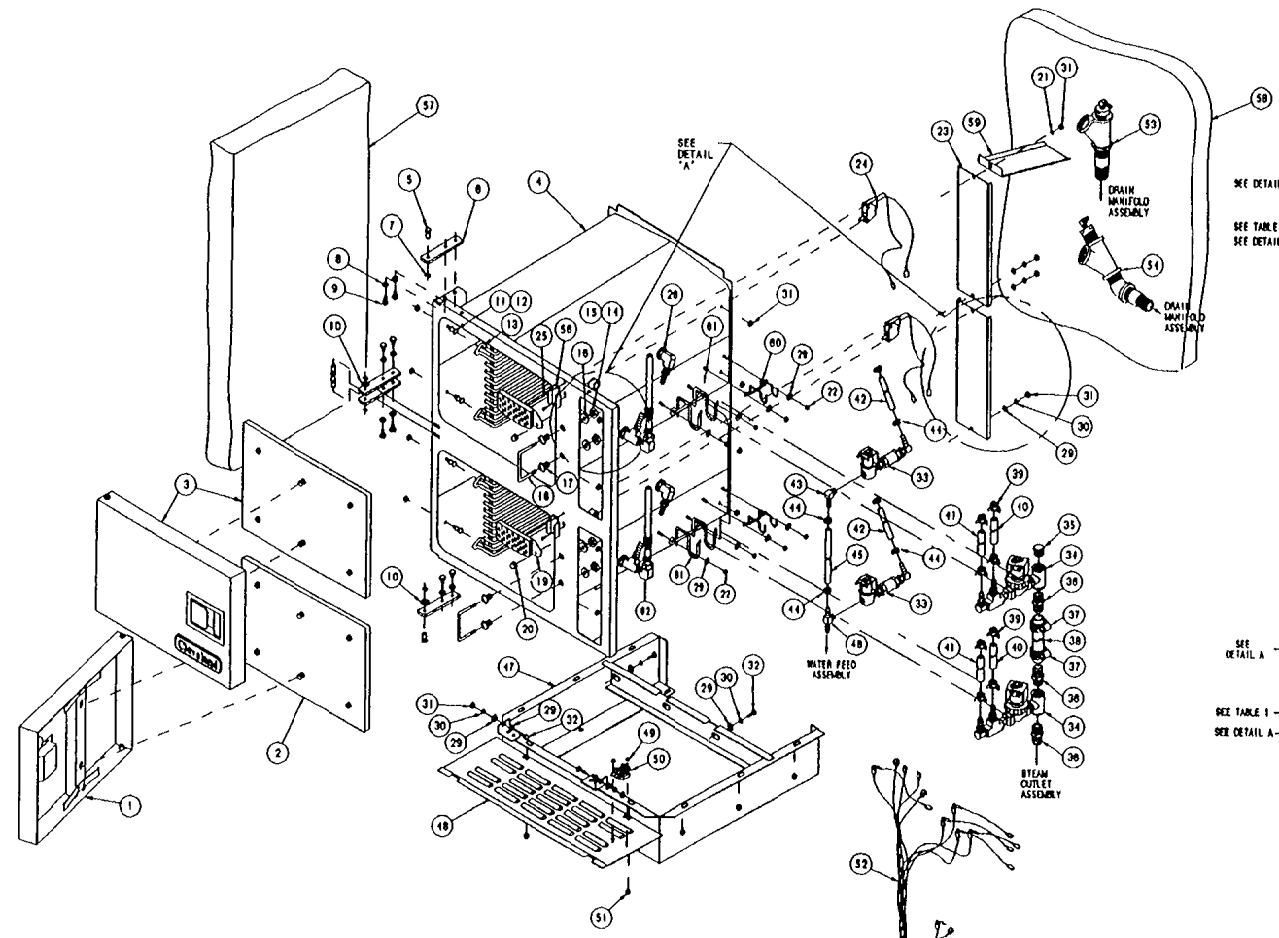
1333 East 179<sup>th</sup> Street  
Cleveland, Ohio 44110

Phone: (216) 481-4900  
1-800-338-2204

Fax: (216) 481-3782  
[www.clevelandrange.com](http://www.clevelandrange.com)

 Cleveland

LET.	REVISIONS	DATE	BY
A	SEE E.O. 4C-2587	03-01-84	
	SEE E.O. 4C-2579	05-24-84	PJD
B	SEE E.O. 4C-2579 R1	07-22-84	PJD
C	SEE E.O. 4C-2579 R2	07-29-84	OLD
D	SEE E.O. 4C-2785	12-08-94	PJD



ITEM NO.	QTY.	PART NO.	DESCRIPTION
42	2	107019	BREATHER/SPRAY NOZZLE ASSY. 1/2" B 1
41	2	106722	BRACKET, VALVE SUPPORT ASSY.
40	2	106159	BRACKET ASSY. WATER, VALVE SUPPORT
39	1	106733	SHIELD, MOISTURE
38	1	104128	INSULATION, CONVECTION BODY REAR
37	1	104125	INSULATION, CONVECTION BODY WRAP
36	-	105442	GUARD, SWITCH PROTECTION
35	2	19972	SWITCH, THERMAL
34	1	106473	DRAIN, LOWER COMP., CONNECTION
33	1	106473	DRAIN, UPPER COMP., CONNECTION
32	-	104218	HARNESS WIRING, ON/OFF
31	-	104189	HARNESS WIRING, ELECTRONIC
30	-	103856	HARNESS WIRING, MECHANICAL
29	8	14879	NUT, ACONR 10-24 8/S
28	1	44168	TERMINAL BLOCK ASSY. 2 POLE
27	-	104293	NUT, HEX 8-32 ELASTIC LOCK
26	1	102589	PANEL, FRONT FILLER
25	1	40749	PEDESTAL, WELDMENT HINGE LEFT
24	1	106841	FITTING, HOSE 1/4" H X 1/4" H X 1/4" MP
23	1	1058501300	HOSE, NY-80 1/2" X 1/2" X 13' LG
22	8	106528	CLAMP, HOSE, METAL 3/16 TO 5/16 DIA
21	1	105788	FITTING, HOSE 1/4" H X 1/4" H X 1/4" MP
20	2	1058501000	HOSE, NY-80 1/4" X 1/2" X 10' LG
19	2	1052730500	HOSE, SILICONE 3/8" X 5/8" X 5' LG
18	2	1052730600	HOSE, SILICONE 3/8" X 5/8" X 9' LG
17	8	107099	CLAMP, METAL TENSION BAND (3/8")
16	1	08511100	HOSE, SILBRIDE 3/4" X 1" X 11 LG
15	2	03207	CLAMP, HOSE, LINED, MAX OD 1.125"
14	3	08241	FITTING, HOSE BARB 3/4" H X 1/2" MP
13	2	10609	PLUG 1/2" BRASS
12	2	106830	STEAM, INLET ASSEMBLY
11	2	106831	WATER VALVE ASSY. NEW CONV. STMR.
10	4	19288	SCREW, HEX HEAD 1/4-20 X 3/4
9	24	14818	NUT, HEX 1/4-20 S/S
8	9	23105	WASHER, LOCK 1/4" S/S
7	19	23110	WASHER, FLAT 1/4" X 5/8 X .065
6	2	23138	WASHER, FLAT 3/8 X 7/8 X 1/16
5	2	104409	CLOSURE, THERMAL OPENING
4	2	106230	STEAM SUPPLY ASSEMBLY, CONVECTION
3	-	105449	SCREW, TRUSS HEAD 8-32 X .312, S/S
2	-	104199	SWITCH ASSY., CHET, STEAM SHUT-OFF
1	-	104199	TIMER ASSEMBLY, CONVECTION
52	8	14892	NUT, ELASTIC LOCK 810-2
51	1	23137	WASHER 1/4" INTERNAL TOOTH
50	2	14877	NUT, ACONR 1/4-20
49	2	89298	SCREEN, COMPARTMENT DRAIN
48	2	104048	CATCH, DOOR
47	4	14895	NUT, DOOR CATCH MOUNTING 8/S
46	4	23149	WASHER, NYLON, TYPE 8-8
45	A/R	01205	ADHESIVE, LOCKITE #290
44	1	14849	NUT, HEX 1/2-13 ZINC PLATED
43	4	41423	RACK, PAN SLIDE 20"
42	A/R	00932	SEALANT, RTV
41	16	101305	PIN, RACK
40	2	102513	WASHER, FLAT 5/16 X 3/4 X .080 S/S
39	8	02312	BOLT, HEX HEAD 5/16-24 X 1/2" S/S
38	8	23106	WASHER, LOCK MED. PATTERN 5/16 S/S
37	4	104082	RING, SNAP S/S
36	4	104078	HINGE, DOOR
35	5	104077	RIB, HINGE
34	1	104891	CONVECTION BODY WELDMENT IN.
33	-	1085751	DOOR ASSY., H.L. W/O DOOR W/ACTUATOR
32	-	108575	DOOR ASSY., H.L. W/O DOOR
31	2	10410	DOOR, INNER ASSEMBLY
30	1	103531	DOOR, OUTER ASSY., H.L. W/ACTUATOR
29	-	103531	DOOR, OUTER ASSEMBLY, H.L.

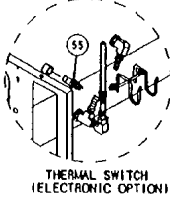
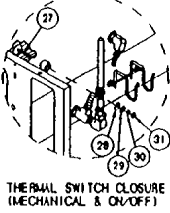
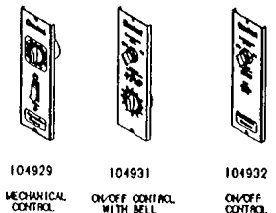


TABLE '1'  
STEAM SHUT-OFF OPTION

ITEM NO.	QTY.	PART NO.	DESCRIPTION
105442	GUARD	58	2
105449	SCREW	25	4
104199	SWITCH	24	2
1063751	DOOR	3	1
1031971	DOOR	1	1

PRODUCTION

THIS DESIGN DESCRIBES A PROPRIETARY ITEM AND IS THE PROPERTY OF CLEVELAND RANGE. THIS DRAWING IS NOT TO BE COPIED OR USED WITHOUT THE APPROVAL OF CLEVELAND RANGE.

TIMER OPTIONS - DETAIL A

ITEM 59 (MOISTURE SHIELD) ELECTRONIC OPTION ONLY

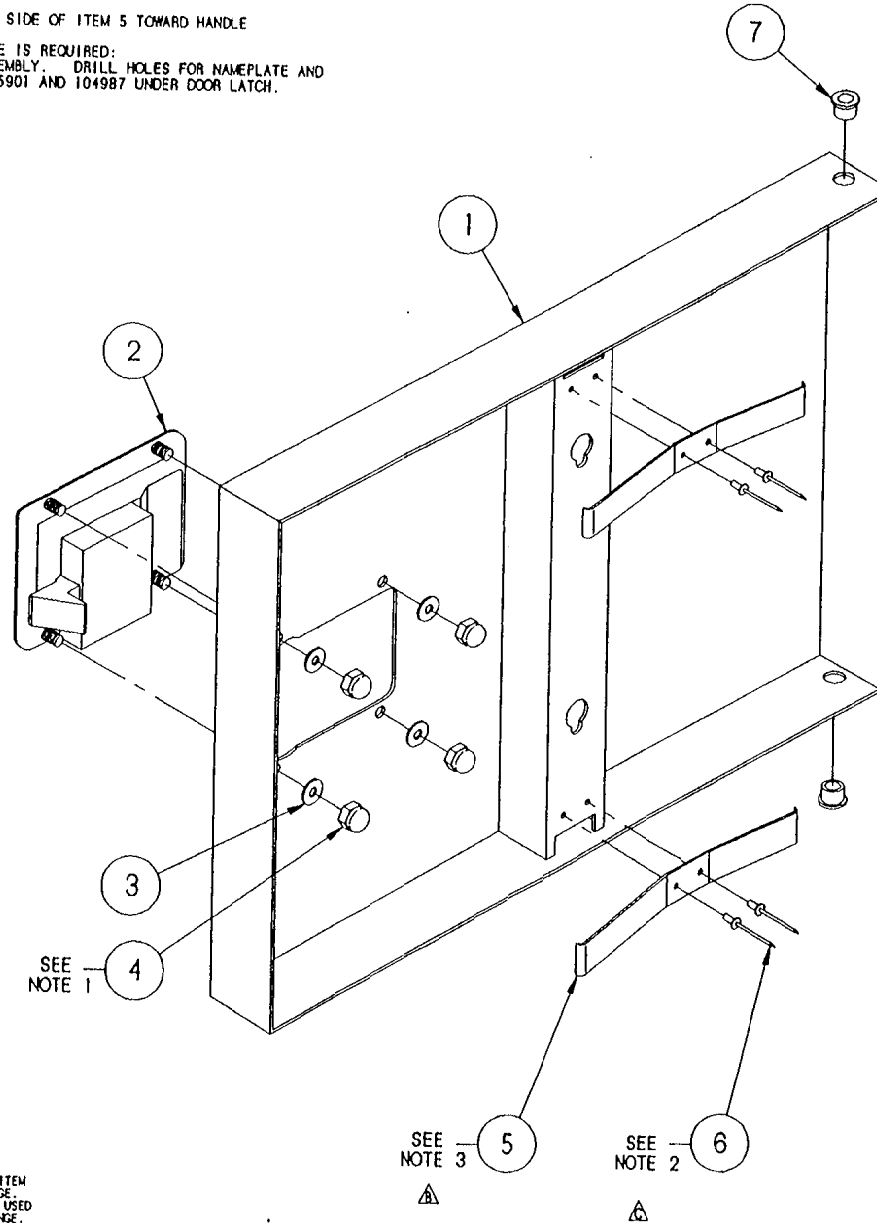
TOLERANCES (EXCEPT AS NOTED)		CLEVELAND RANGE INC. 1333 East 179th St. Cleveland, Ohio 44110-2574	
DECIMAL ± N/A	SCALE NTS	DRAWN BY DUTCHMAN	APPROVED BY
ANGULAR ± N/A	TITLE	CONVECTION H.L. FINAL ASSEMBLY PRODUCTION, ALL OPTIONS	
CK	DATE 11-02-93	DRAWING NO. C - 105509	REV. D

NOTES : 1.) USE LOCTITE #222 - LOW STRENGTH (#104146) ON ITEM 4

⚠ 2.) USE RTV (#00833) ON ITEM 6

⚠ 3.) ORIENT LONGER SIDE OF ITEM 5 TOWARD HANDLE

⚠ 4.) WHEN NAMEPLATE IS REQUIRED:  
ATTACH AT ASSEMBLY. DRILL HOLES FOR NAMEPLATE AND  
MOUNT P/Ns 105901 AND 104987 UNDER DOOR LATCH.



SEE  
NOTE 1

SEE  
NOTE 3

SEE  
NOTE 2

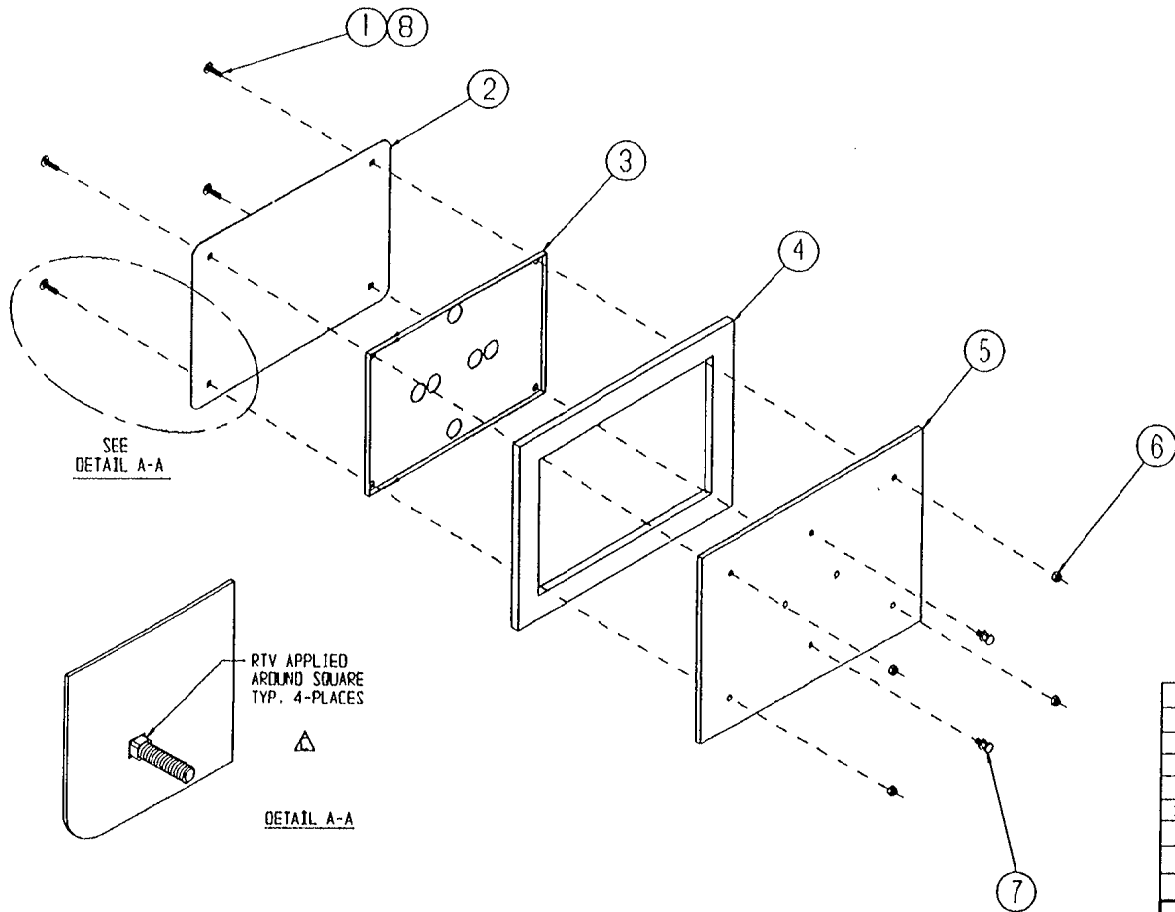
THIS DESIGN DESCRIBES A PROPRIETARY ITEM  
AND IS THE PROPERTY OF CLEVELAND RANGE.  
THIS DRAWING IS NOT TO BE COPIED OR USED  
WITHOUT THE APPROVAL OF CLEVELAND RANGE.

LET.	REVISIONS	DATE	BY
B	NOTE 3 WAS UPDATED, WAS ITEM 6 CALLOUT PER E.O. #C-1908	01-01-91	DJP
C	NOTE 2 REVISED, WAS ITEM 7 CALLOUT PER E.O. #C-1908 R1	03-19-92	PJD
D	P/Ns 105901 & 104987 ADDED PER E.O. #C-2441 R2	08-28-93	PJD
E	P/Ns 105901 & 104987 REF. ONLY PER E.O. #C-2441 R3	08-05-93	PJD
F	P/Ns 105901 & 104987 REMOVED PER E.O. #C-2441 R5	12-13-93	PJD

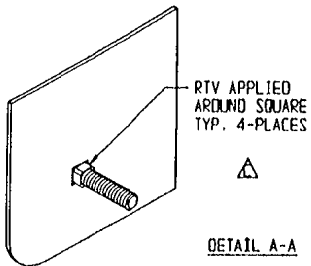
ITEM	QTY.	PART NO.	DESCRIPTION
7	2	103641	BUSHING, BRONZE
6	4	18357	RIVET, 1/8" DIA. FLUSH BREAK, S/S
5	2	102228	SPRING, DOOR
4	4	14879	NUT, #10-24 ACORN, S/S
3	4	101655	WASHER, #10 FLAT, S/S
2	1	103643	LATCH, DOOR - PADDLE TYPE
1	1	103527	OUTER DOOR WELDMENT, H.L.

TOLERANCES (EXCEPT AS NOTED)		CLEVELAND RANGE INC. 1333 East 179th St., Cleveland, Ohio 44110-2574	
DECIMAL ± N/A	SCALE 5/8=1	DRAWN BY DUTCHMAN	APPROVED BY
ANGULAR ± N/A	TITLE DOOR, OUTER ASSEMBLY SC 3.1 CONVECTION, H.L.		
CK	DATE 02-28-91	DRAWING NO. C - 103537	REV. F



SEE  
DETAIL A-A



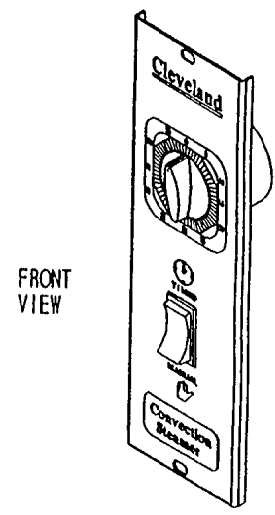
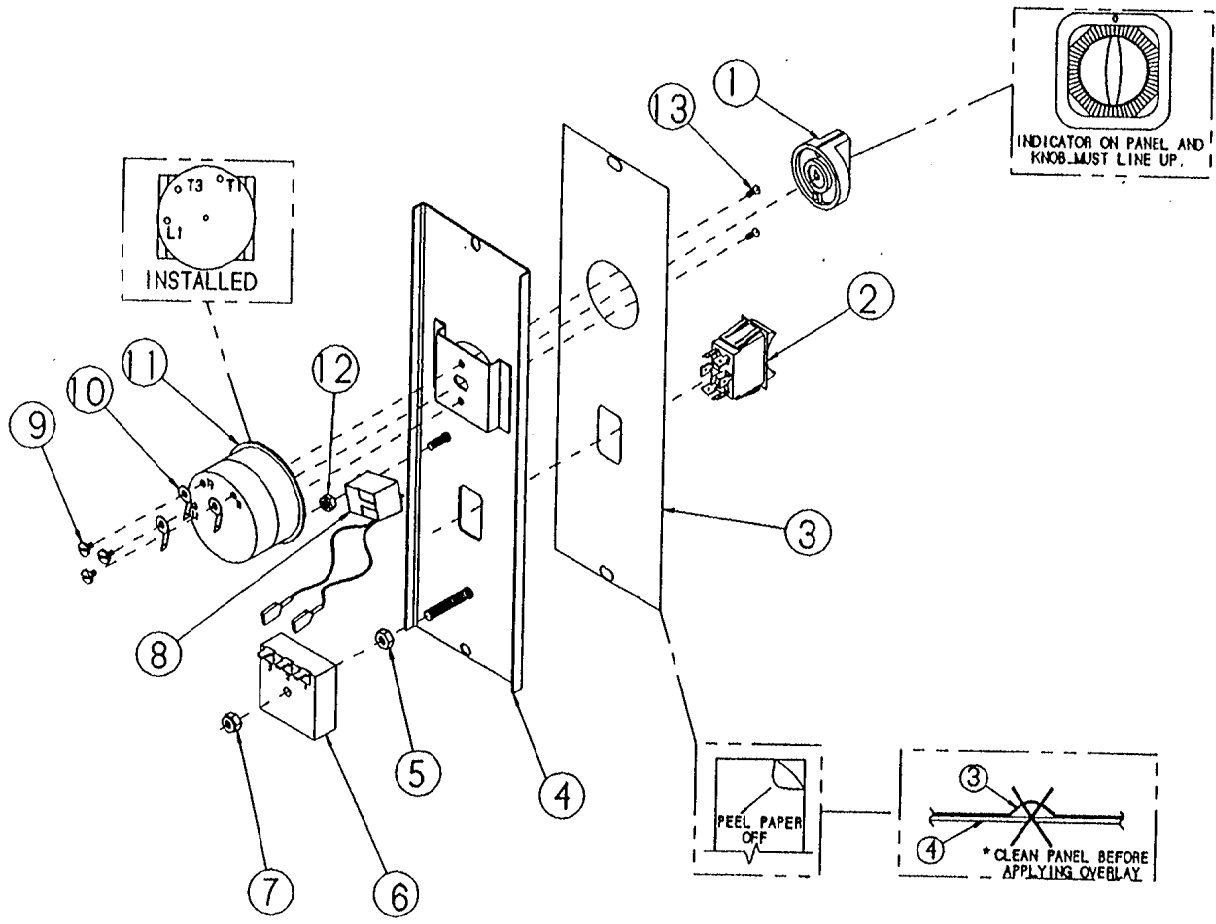
THIS DESIGN DESCRIBES A PROPRIETARY ITEM  
AND IS THE PROPERTY OF CLEVELAND RANGE.  
THIS DRAWING IS NOT TO BE COPIED OR USED  
WITHOUT THE APPROVAL OF CLEVELAND RANGE.

LET.	REVISIONS	DATE	BY
A	REVISED PER E.O. #C-1872 R5	2-28-91	PJC
B	REVISED PER E.O. #C-1872 R7	5-13-91	PJC
C	REVISED PER E.O. #C-1993	8-05-91	PJC

ITEM	QTY.	PART NO.	DESCRIPTION
8	A/R	00932	SEALANT, RTV
7	2	19923	PIN GUIDE, INNER DOOR
6	4	14665	NUT, HEX LOCK 1/4-20
5	1	100745	INNER DOOR WELDMENT
4	1	07138	DOOR GASKET
3	1	66214	INNER GASKET RETAINER
2	1	66595	GASKET RETAINER PLATE
1	4	104719	BOLT, CARRIAGE 1/4-20 X 1.000"

TOLERANCES (EXCEPT AS NOTED)		CLEVELAND RANGE INC.		
		1333 East 178th St. Cleveland, Ohio 44110-2574		
DECIMAL ± N/A	SCALE N/A	DRAWN BY P. J. D.	APPROVED BY D. S.	
ANGULAR ± N/A	TITLE DOOR, INNER ASS'Y. SC 3.1 CONV. (NEW STYLE MODEL C)			
CK	DATE 02-28-91	DRAWING NO. B-104101	REV. C	

LET	REVISIONS	DATE	BY
A	HOLES ADDED TO LABEL P/N 105890 WAS 103720 EO #C-2182	04-08-92	PJD
B	105890 COLOR/ARTWORK CHANGE PER E.O. #C-2503 & C-2424	09-21-93	PJD



FRONT VIEW

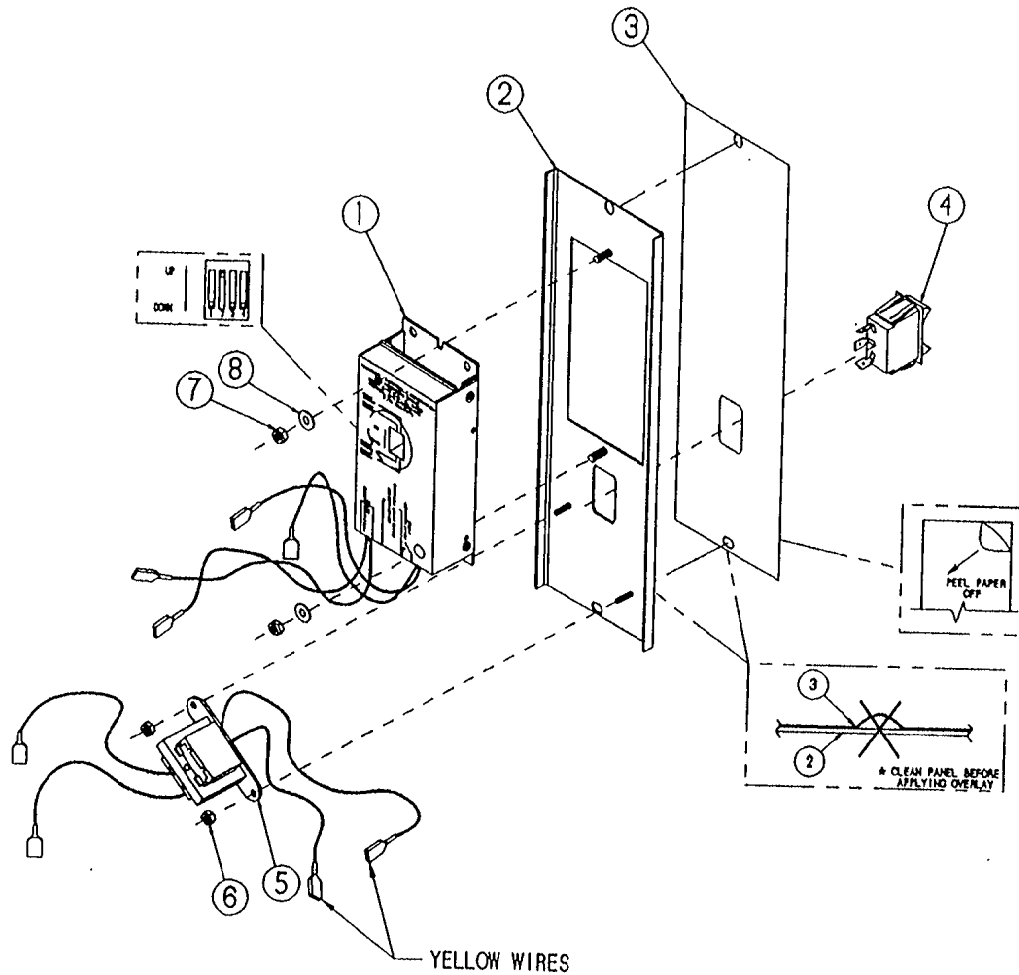
NO.	QTY.	PART NO.	DESCRIPTION
13	2	19201	SCREEN 8-40 X .250 PAN HD. SLTD. S/S
12	1	14892	NUT, 10-20 ELASTIC LOCK, STEEL PLTD
11	1	20478	TIMER, 60 MIN. MECHANICAL SWITCHING
10	3	20323	TERMINAL, #10 RING / .25 MALE TAB
9	3	---	INCLUDED IN ITEM 10
8	1	41350	BUZZER ASSEMBLY WITH TERMINALS
7	1	101873	NUT, 1/4-20 ELASTIC LOCK
6	1	20477	TIMER, SOLID STATE, 3 SECOND DELAY
5	1	14818	NUT, HEX, 1/4-20 S/S
4	1	104958	PANEL, TIMER - CONV. MECHANICAL
3	1	105890	LABEL, PANEL - MECH. TIMER CONV.
2	1	19992	SWITCH, ROCKER, COMPT. BYPASS
1	1	11307	KNOB, TIMER



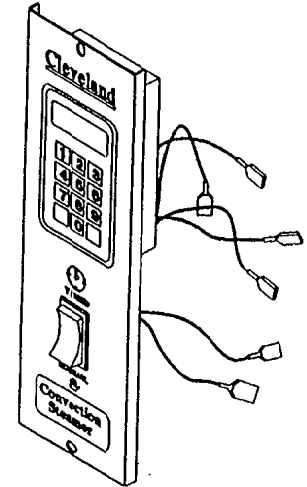
TOLERANCES UNLESS SHOWN				CLEVELAND RANGE INC. 1333 East 178th St. Cleveland, Ohio 44110-2574			
DECIMAL	SCALE	DRAWN BY	APPROVED BY				
1 N/A	N/A	OUTERMAN	D.B.				
ANGULAR	TITLE						
1 N/A	TIMER ASSEMBLY - BACK MOUNTED CONVECTION STEAMER MECHANICAL						
OK	DATE	DRAWING NO.	REV.				
	09-16-91	C-104929	B				

THIS DESIGN DESCRIBES A PROPRIETARY ITEM AND IS THE PROPERTY OF CLEVELAND RANGE. THIS DRAWING IS NOT TO BE COPIED OR USED WITHOUT THE APPROVAL OF CLEVELAND RANGE.

LET	REVISIONS	DATE	BY
A	HOLES ADDED TO LABEL P/N 105889 WAS 104478 EO #C-2182	04-08-92	PJD
B	105889 COLOR/ARTWORK CHANGE PER E.O. #C-2503 & C-2424	09-21-93	PJD



FRONT VIEW



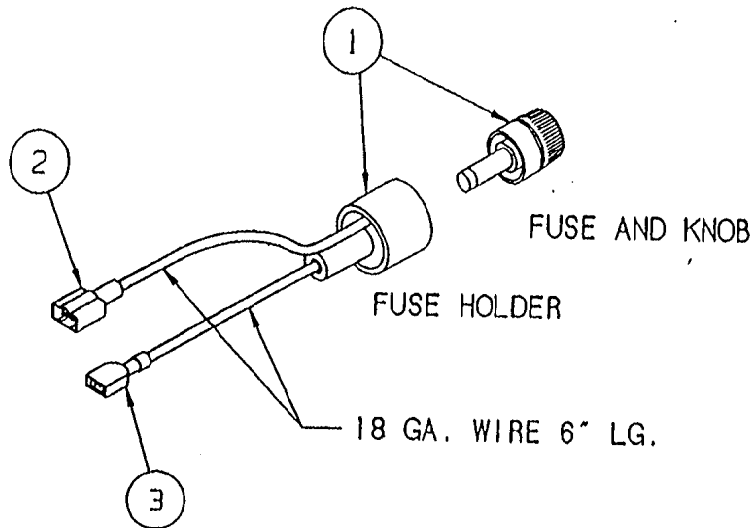
NO.	QTY.	PART NO.	DESCRIPTION
8	2	101635	WASHER, FLAT #10 S/S
7	2	14892	NUT, HEX 10-24 ELASTIC LOCK
6	2	104223	NUT, HEX 8-32 ELASTIC LOCK
5	1	104390	TRANSFORMER, ASSEMBLY
4	1	104221	SWITCH, ROCKER, SPOT MATTE FINISH
3	1	105889	LABEL, CONT. PANEL, HCC - CONY.
2	1	104701	PANEL, WELDMENT ELECTRONIC
1	1	104389	TIMER, ASSEMBLY - HCC

<b>TOLERANCES</b> <small>(UNLESS OTHERWISE NOTED)</small>			
<b>CLEVELAND RANGE INC.</b> 1303 East 179th St. Cleveland, Ohio 44110-2874			
DECIMAL	SCALE	DRAWN BY	APPROVED BY
2 N/A	1/2"	DUTCHMAN	D.S.
<b>TITLE</b> TIMER ASSEMBLY - BACK MOUNTED CONVECTION STEAMER ELECTRIC			
OK	DATE	DRAWING NO.	REV.
	09-17-91	C-104930	B

THIS DESIGN DESCRIBES A PROPRIETARY ITEM AND IS THE PROPERTY OF CLEVELAND RANGE. THIS DRAWING IS NOT TO BE COPIED OR USED WITHOUT THE APPROVAL OF CLEVELAND RANGE.

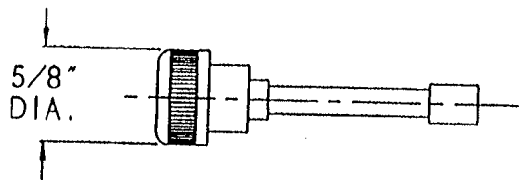
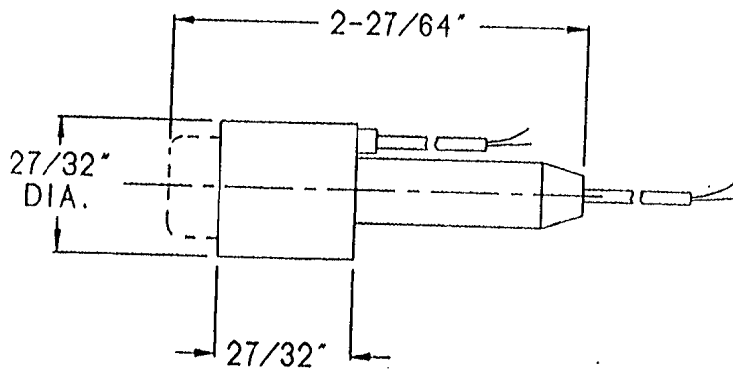
LET.	REVISIONS	DATE	BY
A	PICTORIAL CHANGE PER E.O. #2591 RI	05-06-94	PJD

U.L. AND C.S.A.  
APPROVED



ITEM	QTY.	PART NO.	DESCRIPTION
3	1	20351	TERMINAL, SLIP ON FEMALE
2	1	20370	TERMINAL, SLIP ON, MALE
1	1	106881	FUSE AND HOLDER ASSEMBLY
TOLERANCES (EXCEPT AS NOTED)			<b>CLEVELAND RANGE INC.</b> 1333 East 179th St. Cleveland, Ohio 44110-2574
DECIMAL ± .030	SCALE 2=1	DRAWN BY DUTCHMAN	
ANGULAR ± 1°	TITLE FUSE AND HOLDER WIRE ASSY. NCC TIMER RETROFIT		
CK	DATE 05-06-94	DRAWING NO. A - 106870	REV. A

THIS DESIGN DESCRIBES A PROPRIETARY ITEM  
AND IS THE PROPERTY OF CLEVELAND RANGE.  
THIS DRAWING IS NOT TO BE COPIED OR USED  
WITHOUT THE APPROVAL OF CLEVELAND RANGE.



BUSSMAN HLR  
FUSE HOLDER

GUIDE #1ZLT2 U.L.  
FILE #B14853 U.L.

CLASS #6225-01 C.S.A.  
FILE #47235 C.S.A.

BUSSMAN GLR 2 AMP  
NON-DELAY FUSE

GUIDE #JDYX U.L.  
FILE #E19180 U.L.

CLASS #1422-01 C.S.A.  
FILE #53787 C.S.A.

APPROVED SOURCE:

CONSOLIDATED ELECTRICAL DISTRIBUTORS, INC.  
7444 TYLER BLVD., MENTOR, OHIO 44060  
PHONE (216) 946-8850

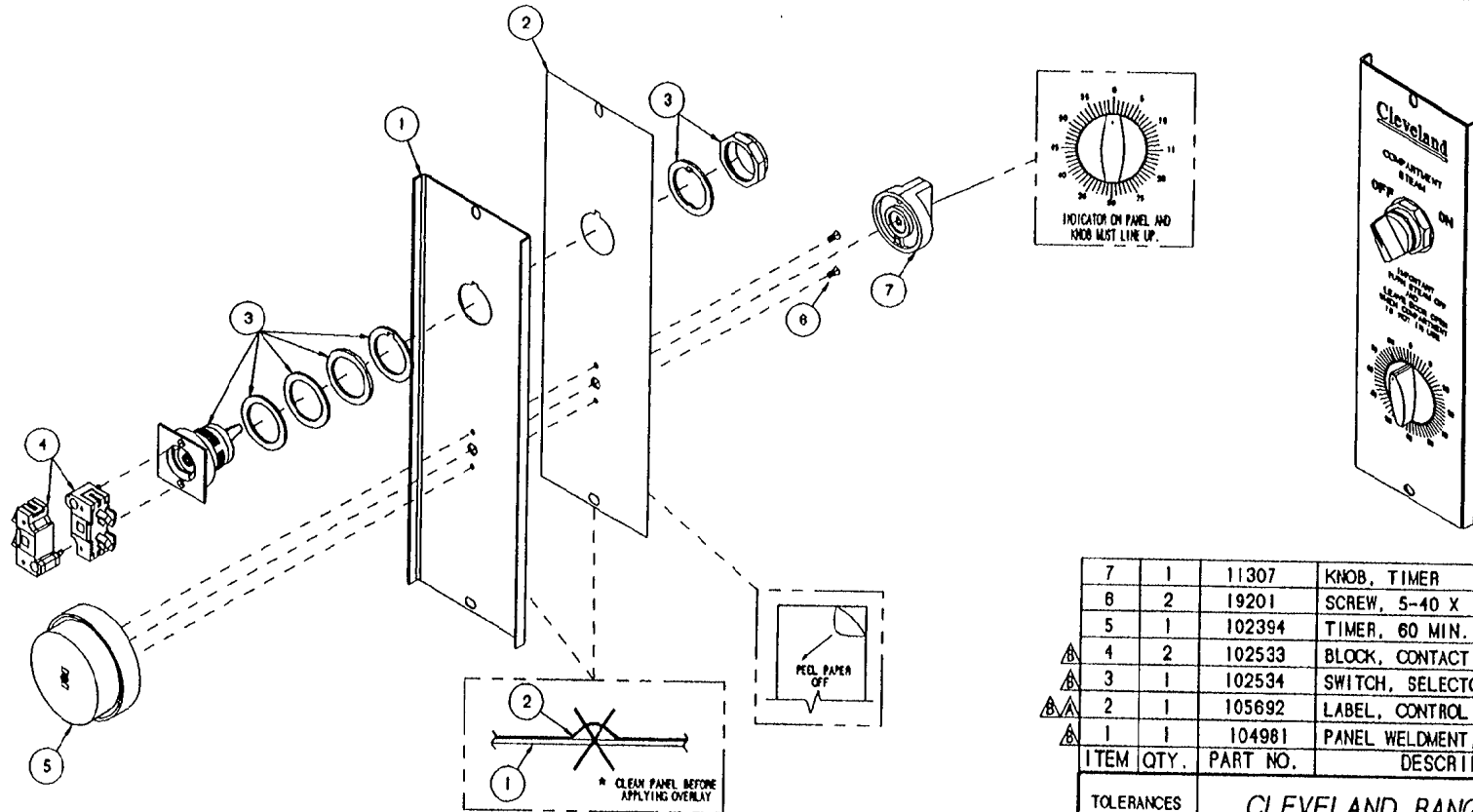
THIS DESIGN DESCRIBES A PROPRIETARY ITEM  
AND IS THE PROPERTY OF CLEVELAND RANGE.  
THIS DRAWING IS NOT TO BE COPIED OR USED  
WITHOUT THE APPROVAL OF CLEVELAND RANGE.

ITEM	QTY.	PART NO.	DESCRIPTION
TOLERANCES (EXCEPT AS NOTED)		<b>CLEVELAND RANGE INC.</b> 1333 East 179th St. Cleveland, Ohio 44110-2574	
DECIMAL ± .030	SCALE 2=1	DRAWN BY DUTCHMAN	APPROVED BY -
ANGULAR ± 1°	TITLE FUSE AND HOLDER ASSY. NCC TIMER RETROFIT		
CK	DATE 05-06-94	DRAWING NO. A - 106881	REV. -

LET.	REVISIONS	DATE	BY



LET.	REVISIONS	DATE	BY
A	HOLES ADDED TO LABEL, P/N 105692 WAS 103719. E.O. C-2182.	04/08/92	PJD
B	UPDATED PICTORIALY PER E.O. #C-2429 & #C-2495 & #C-2503	09/13/93	NLT

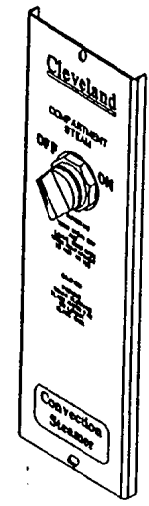
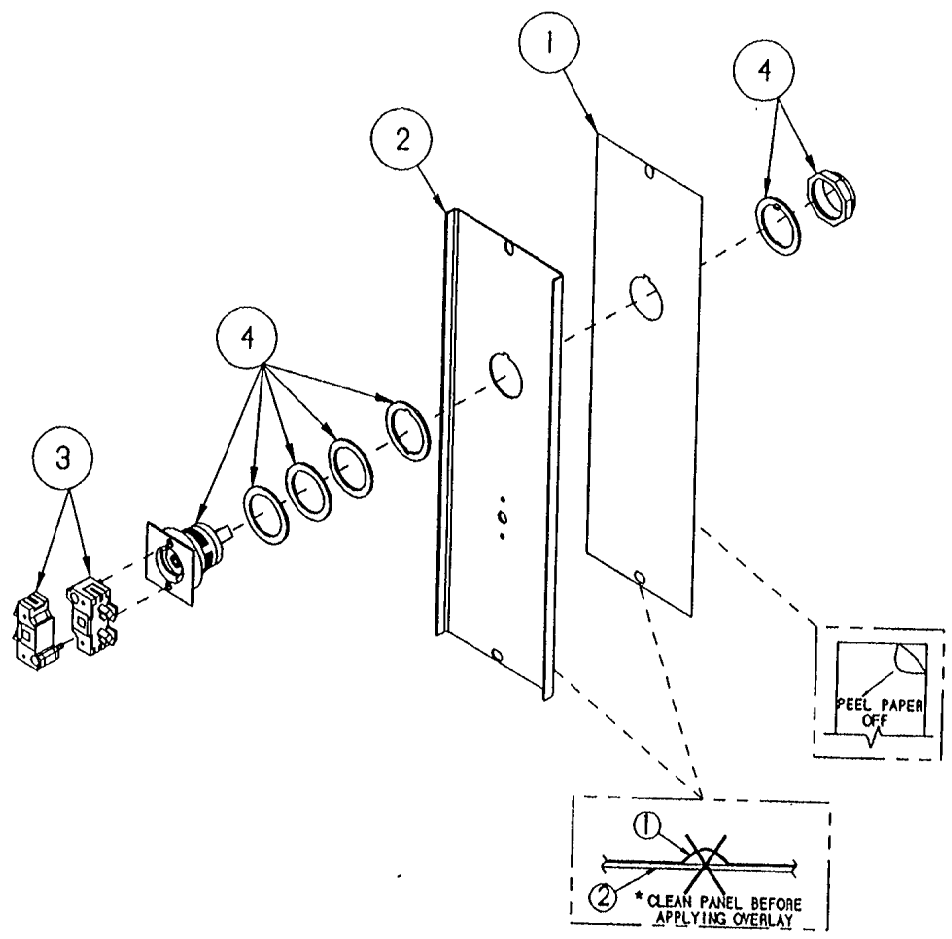


7	1	11307	KNOB, TIMER
6	2	19201	SCREW, 5-40 X .250, PAN HD
5	1	102394	TIMER, 60 MIN., INDICATING
△	4	102533	BLOCK, CONTACT
△	3	102534	SWITCH, SELECTOR
△	2	105692	LABEL, CONTROL PANEL, ON/OFF
△	1	104981	PANEL WELDMENT, ON/OFF CONTROL
ITEM	QTY.	PART NO.	DESCRIPTION

TOLERANCES (EXCEPT AS NOTED)		CLEVELAND RANGE INC. 1333 East 179th St. Cleveland, Ohio 44110-2574	
DECIMAL ± N/A	SCALE 3/8=1	DRAWN BY DUTCHMAN	APPROVED BY BEDFORD
ANGULAR ± N/A	TITLE TIMER ASSEMBLY, ON/OFF CONTROL W/ INDICATING TIMER		
CK	DATE 09-19-91	DRAWING NO. B - 104931	REV. B

THIS DESIGN DESCRIBES A PROPRIETARY ITEM AND IS THE PROPERTY OF CLEVELAND RANGE. THIS DRAWING IS NOT TO BE COPIED OR USED WITHOUT THE APPROVAL OF CLEVELAND RANGE.

LET	REVISIONS	DATE	BY
A	HOLES ADDED TO LABEL P/N 105691 WAS 103718 EO #C-2182	04-08-92	PJD
B	105891 COLOR/ARTWORK CHANGE & 104981 HOLE PLACEMENT REVISED PER E.O. #C-2503 & C-2424	09-21-93	PJD

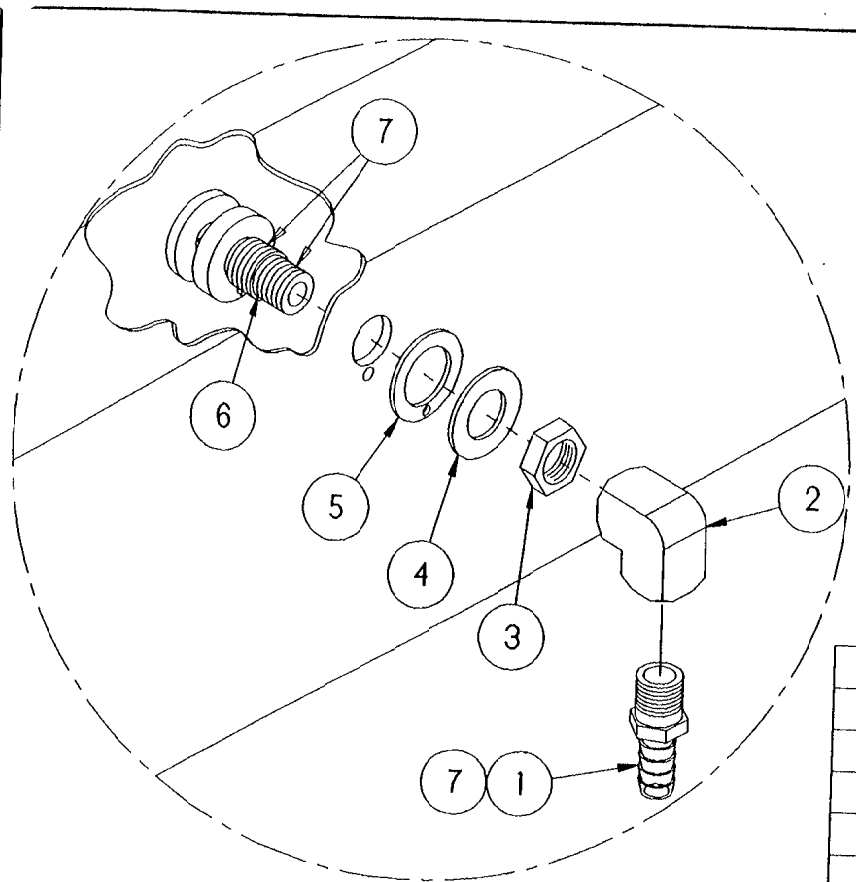


NO.	QTY	PART	DESCRIPTION
4	1	102534	SWITCH, SELECTOR
3	2	102533	BLOCK, CONTACT
2	1	104981	PANEL, CONV., ON/OFF
1	1	105691	LABEL, PANEL, ON/OFF

TOLERANCES UNLESS NOTED			
<b>CLEVELAND RANGE INC.</b>			
1233 East 178th St., Cleveland, Ohio 44110-2574			
DECIMAL 1 N/A	SCALE 1/2"	DRAWN BY DUTCHMAN	APPROVED BY D.S.
ANGULAR 2 N/A	TITLE TIMER ASSEMBLY - BACK MOUNTED CONVECTION STEAMER, ON/OFF		
OK	DATE 09-10-91	DRAWING NO. C-104932	REV. B

THIS DESIGN DESCRIBES A PROPRIETARY ITEM AND IS THE PROPERTY OF CLEVELAND RANGE. THIS DRAWING IS NOT TO BE COPIED OR USED WITHOUT THE APPROVAL OF CLEVELAND RANGE.



TYPICAL APPLICATION

THIS DESIGN DESCRIBES A PROPRIETARY ITEM AND IS THE PROPERTY OF CLEVELAND RANGE. THIS DRAWING IS NOT TO BE COPIED OR USED WITHOUT THE APPROVAL OF CLEVELAND RANGE.

LET.	REVISIONS	DATE	BY
A	SEE E.O. #C-2689	09-15-94	PJD

NOTES:

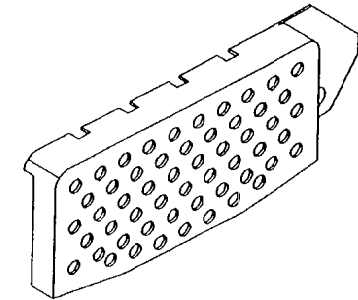
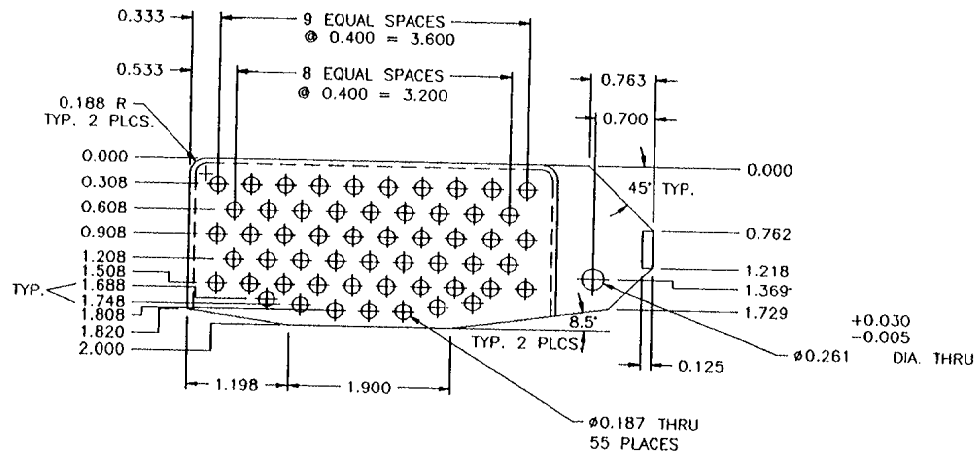
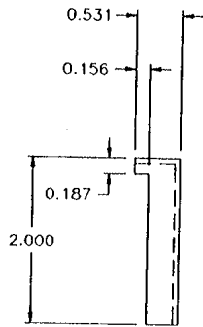
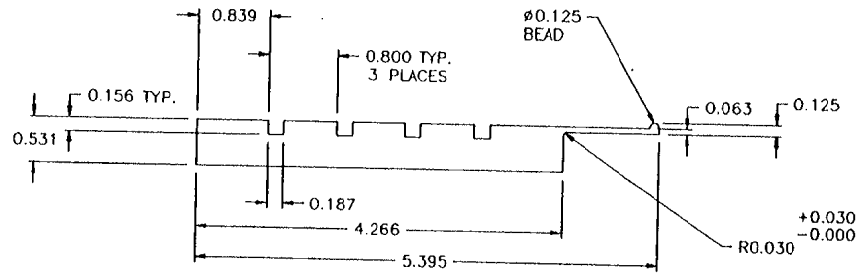
1.) ITEM 2 (P/N 05236) AND ITEM 1 (P/N 105277) TO BE ROTATED TO AN ANGLE THAT WILL MATCH THE OTHER SPRAY NOZZLES OR MEET A MATING HOSE FITTING.

ITEM	QTY.	PART NO.	DESCRIPTION
7	A/R	00934	SEALANT, RECTORSEAL
6	1	104009	FITTING, ASSY, STEAM SUPPLY
5	1	104082	GASKET, STEAM INJECTOR
4	1	104232	WASHER, FLAT S/S
3	1	104081	NUT, JAM 5/8-18, BRASS
2	1	05236	ELBOW, 1/4" X 90°, BRASS
1	1	105277	FITTING, HOSE 3/8 H X 1/4 MPT

TOLERANCES (EXCEPT AS NOTED)		<b>CLEVELAND RANGE INC.</b> 1333 East 179th St. Cleveland, Ohio 44110-2574	
DECIMAL ± .030	SCALE 1/2"		
ANGULAR ± 1°	TITLE SPRAY NOZZLE ASSY. (3/8" HOSE) CONVECTION AND CONVECTION PRO, STEAMCRAFT POWER 10 AND D.C. 10		
CK	DATE 12-14-92	DRAWING NO. A - 106230	REV. A

NOTE: TOLERANCES ARE NON-ACCUMULATIVE

LET.	REVISIONS	DATE	BY
C	REVISED/REDRAWN DEVELOPED NEW EO #C-1889	02/08/91	DJP
D	REVISED/REDRAWN .187 DIA. HOLES REPLACED BY OROUND SLOTS EO #C-1929-	04/30/91	DJP
E	CHANGED BACK TO .187 DIA. HOLES & MATERIAL CHANGED TO TALC FILLED POLYPROPYLENE	09/24/93	NLT
-	PER EO #C-2299 R2	-	-
F	ADDED APPROVED SOURCE PER EO #C-2853	07/31/95	DJP



MATERIAL: TALC FILLED POLYPROPYLENE  
 NOMINAL THICKNESS: 0.062 IN.  
 COLOR: NATURAL

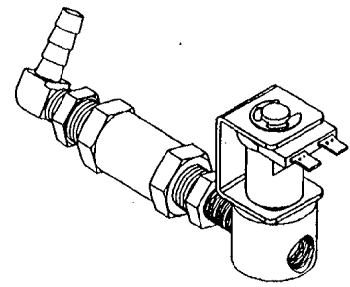
APPROVED SOURCE:

- 1.) ROYAL PLASTIC  
 MATERIAL SUPPLIER: FERRO CORP.  
 FORMULATION I.D. APP40GR17NA  
 NSF DCC FD04593-001

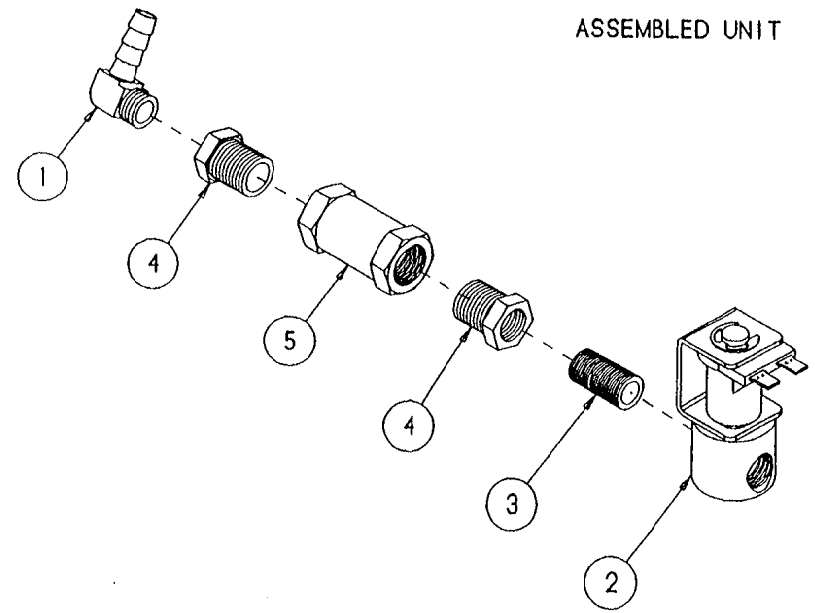
THIS DESIGN DESCRIBES A F ITEM AND IS THE PROPERTY OF CLEVELAND RANGE. THIS DRAWING IS NOT TO BE REPRODUCED OR USED WITHOUT THE APPROVAL OF CLEVELAND RANGE.

ITEM	QTY	PART NO.	DESCRIPTION
<p><b>TOLERANCES</b> EXCEPT AS NOTED</p> <p><b>CLEVELAND RANGE INC.</b> 1333 East 170th St. Cleveland, Ohio 44110-2574</p>			
DECIMAL ± 0.30	SCALE 1=1	DRAWN BY NLT	APPROVED BY
ANGULAR ± 1°	TITLE SCREEN, DRAIN CO' MOLDED PLA		DATE 12/16/92
AC	DATE 12/16/92	DRAWING NO. C-60208	REV

LET.	REVISIONS	DATE	BY
------	-----------	------	----



ASSEMBLED UNIT



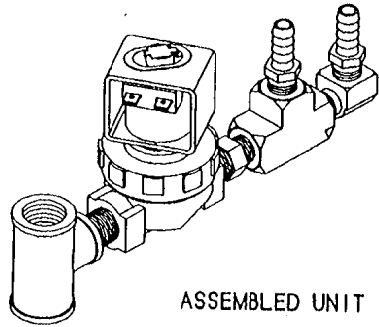
PRODUCTION

ITEM	QTY.	PART NO.	DESCRIPTION
5	1	15455	FLOW CONTROLLER, COND REGULATOR, 3/8"
4	2	02594	BUSHING, HEX, 3/8 X 1/4, BRASS
3	1	14304	NIPPLE, 1/4 X CLOSE, YELLOW BRASS
2	1	22218	VALVE, SOLENOID
1	1	105786	FTING, HOSEBARB, 1/4MPT X 1/4H, 90°

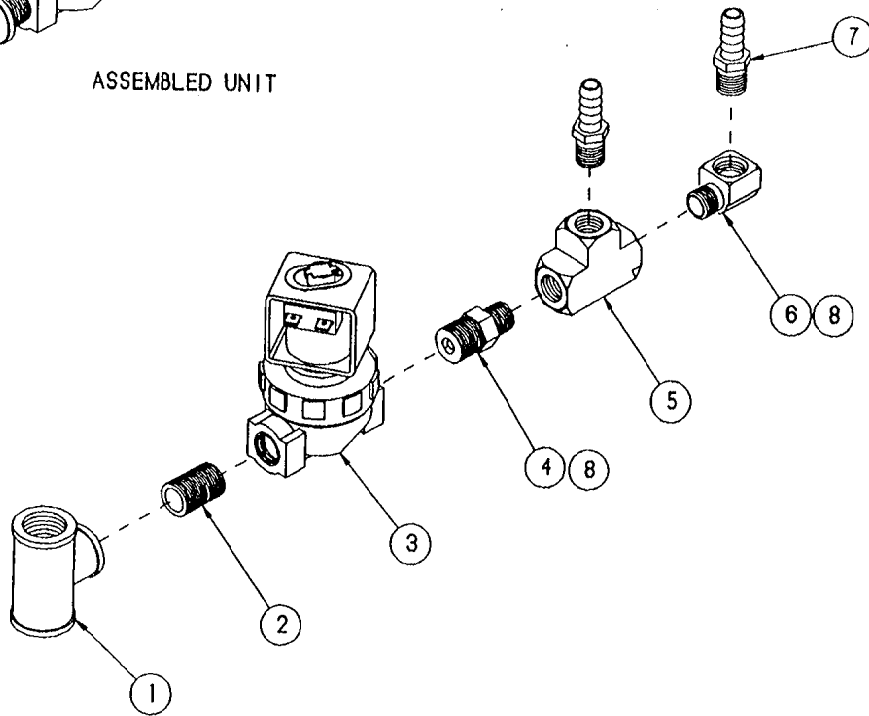
TOLERANCES (EXCEPT AS NOTED)		<b>CLEVELAND RANGE INC.</b> 1333 East 179th St. Cleveland, Ohio 44110-2574	
DECIMAL ± .030	SCALE 5/8"	DRAWN BY Dutchman	APPROVED BY
ANGULAR ± 1°	TITLE WATER VALVE ASSEMBLY CONVECTION		
CK	DATE 02-23-94	DRAWING NO. B - 106831	REV. -

THIS DESIGN DESCRIBES A PROPRIETARY ITEM AND IS THE PROPERTY OF CLEVELAND RANGE. THIS DRAWING IS NOT TO BE COPIED OR USED WITHOUT THE APPROVAL OF CLEVELAND RANGE.

LET	REVISIONS	DATE	BY
-----	-----------	------	----



ASSEMBLED UNIT



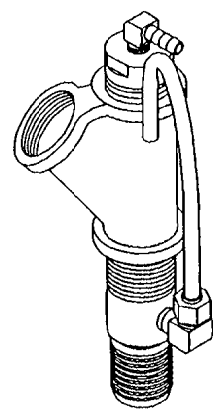
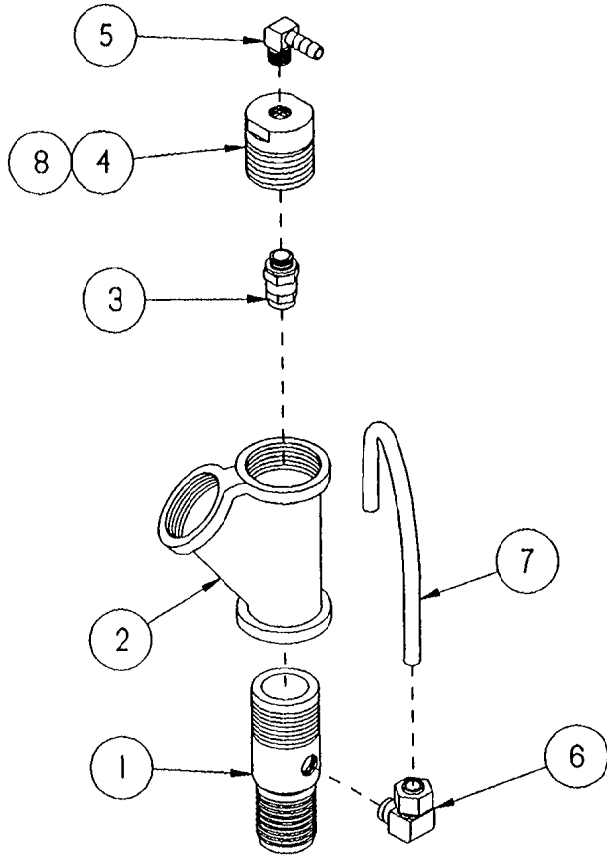
PRODUCTION

THIS DESIGN DESCRIBES A PROPRIETARY ITEM AND IS THE PROPERTY OF CLEVELAND RANGE. THIS DRAWING IS NOT TO BE COPIED OR USED WITHOUT THE APPROVAL OF CLEVELAND RANGE.

ITEM	QTY.	PART NO.	DESCRIPTION
8	A/R	00934	SEALANT, RECTORSEAL
7	2	105277	FITTING, HOSE BARB 3/8 H X 1/4 NPT
6	1	05235	ELBOW, STREET 1/4" X 90°, BRASS
5	1	20199	TEE, 1/4" BRASS
4	1	105699	FITTING, FLOW RESTRICTOR, 3/8 X 1/4
3	1	22224	VALVE, STEAM SOLENOID 1-80 PSI
2	1	14427	NIPPLE, 3/8 X CLOSE, BRASS
1	1	100676	TEE, 1/2 X 3/8 X 1/2, BRASS

TOLERANCES (EXCEPT AS NOTED)		CLEVELAND RANGE INC. 1333 East 179th St. Cleveland, Ohio 44110-2574	
DECIMAL ± N/A	SCALE 1/2"	DRAWN BY Dulchman	APPROVED BY
ANGULAR ± N/A	TITLE STEAM, INLET ASSEMBLY CONVECTION		
CK	DATE 02-23-94	DRAWING NO. B - 106830	REV. -

LET.	REVISIONS	DATE	BY
A	P/N 105787 WAS 08192 PER E.O. #C-2579	02-25-94	PJD



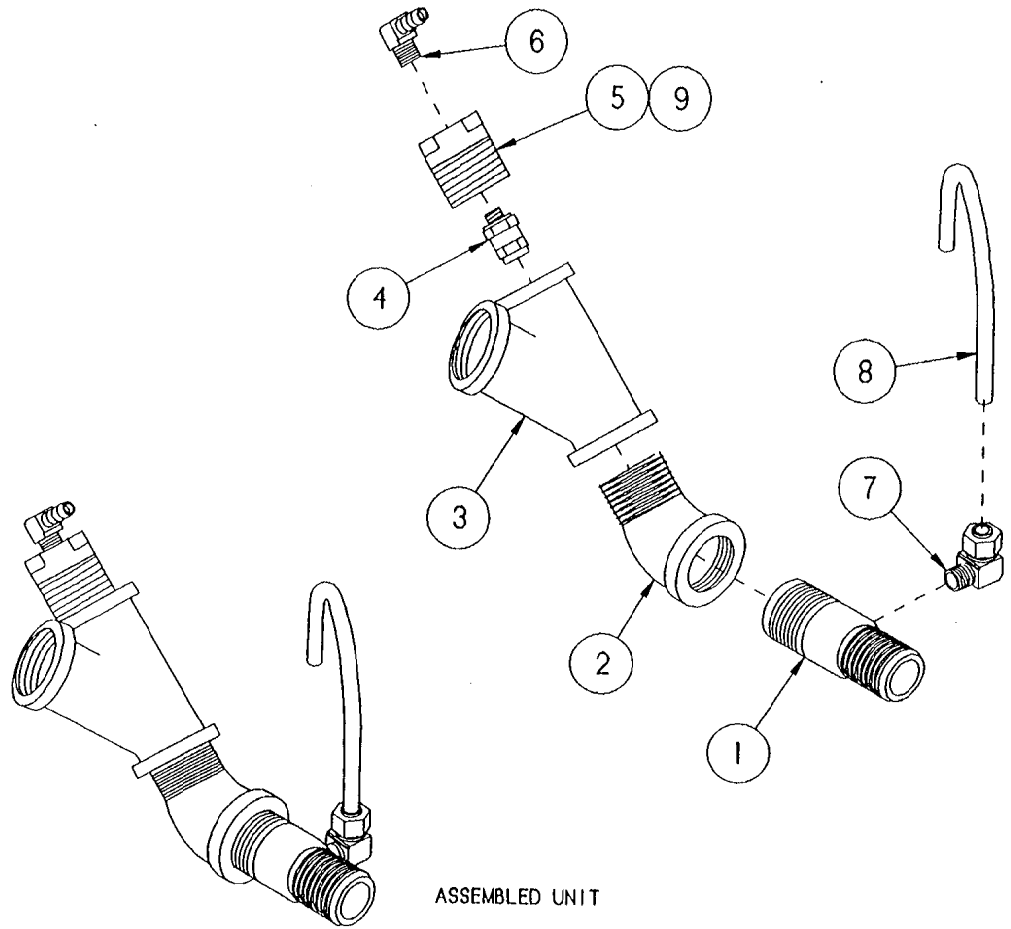
ASSEMBLED UNIT

ITEM	QTY.	PART NO.	DESCRIPTION
8	A/R	101051	NEVER-SEEZ
7	1	70732	TUBE, COPPER, DRAIN VENT
6	1	06233	FITTING, COMP. 3/8 T X 1/8 90°
5	1	105787	FITTING 1/4 H X 1/8 MPT 90°
4	1	06230	FITTING, COMPARTMENT DRAIN
3	1	14555	NOZZLE, SPRAY, 1/8 FULL JET
2	1	02139	BEND, "Y" BLACK
1	1	565191	FITTING, HOSE 1" W/ 1/8" HOLE

TOLERANCES (EXCEPT AS NOTED)		CLEVELAND RANGE INC. 1333 East 179th St. Cleveland, Ohio 44110-2574	
DECIMAL ± N/A	SCALE 1/2" = 1"	DRAWN BY PJD	APPROVED BY
ANGULAR ± N/A	TITLE DRAIN ASSEMBLY, CONVECTION UPPER COMPARTMENT		
CK	DATE 11-01-93	DRAWING NO. B - 106473	REV. A

THIS DESIGN DESCRIBES A PROPRIETARY ITEM AND IS THE PROPERTY OF CLEVELAND RANGE. THIS DRAWING IS NOT TO BE COPIED OR USED WITHOUT THE APPROVAL OF CLEVELAND RANGE.

LET.	REVISIONS	DATE	BY
A	P/N 105787 WAS 06192 PER E.O. #C-2579	02-25-94	PJD



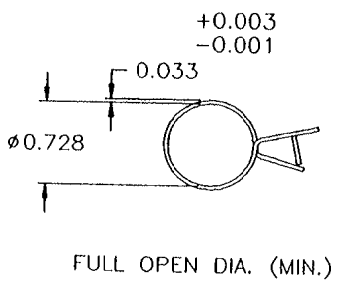
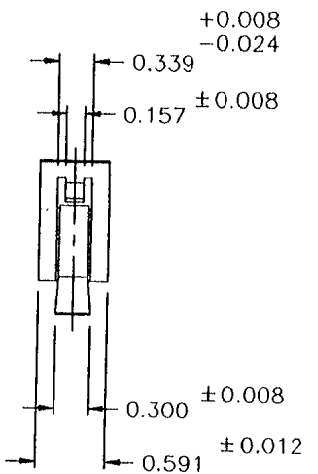
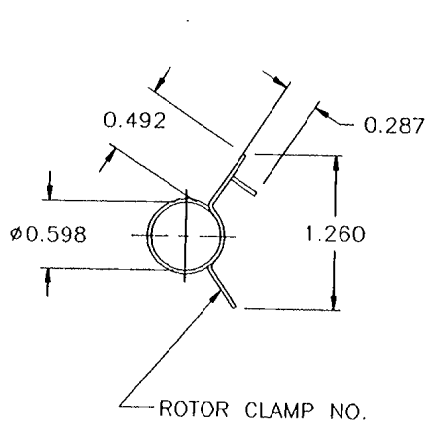
ITEM	QTY.	PART NO.	DESCRIPTION
9	A/R	101051	NEVER-SEEZ
8	1	70732	FITTING, HOSE 3/8 H X 1/8 MPT, 90°
7	1	06233	FITTING, COMP. 3/8 T X 1/8 90°
6	1	105787	FITTING 1/4 H X 1/8 MPT 90°
5	1	06230	FITTING, COMPARTMENT DRAIN
4	1	14555	NOZZLE, SPRAY, 1/8" FULL JET
3	1	02139	BEND, "Y" BLACK
2	1	05227	ELBOW, STREET 1" X 45° BLACK
1	1	565191	FITTING, HOSE 1" W/ 1/8" HOLE

TOLERANCES (EXCEPT AS NOTED)		<b>CLEVELAND RANGE INC.</b> 1333 East 179th St. Cleveland, Ohio 44110-2574	
DECIMAL ± N/A	SCALE 1/2" = 1"	DRAWN BY PJD	APPROVED BY
ANGULAR ± N/A	TITLE DRAIN ASSEMBLY, CONVECTION LOWER COMPARTMENT		
CK	DATE 11-01-93	DRAWING NO. B - 1064731	REV. A

THIS DESIGN DESCRIBES A PROPRIETARY ITEM AND IS THE PROPERTY OF CLEVELAND RANGE. THIS DRAWING IS NOT TO BE COPIED OR USED WITHOUT THE APPROVAL OF CLEVELAND RANGE.



LET.	REVISIONS	DATE	BY
------	-----------	------	----



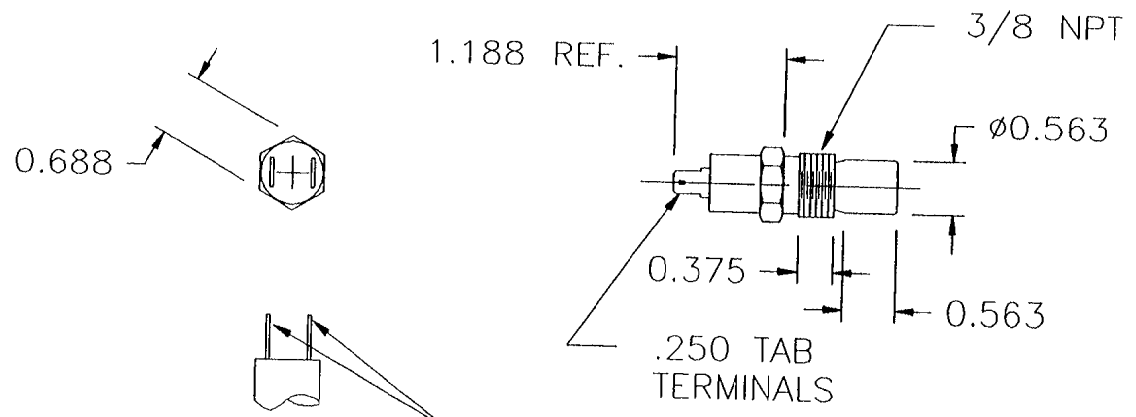
APPROVED SOURCE :  
 ALEXANDER SALES  
 ROTOR CLIP P/N = #CTB-17 ST DB

SPECIFICATIONS :  
 MATERIAL = CHROME VANADIUM STEEL SAE 6150  
 (DIN 17222, JIS G 4802)  
 FINISH = DORRIFLAKE BLACK  
 COLOR = BLACK

THIS DESIGN DESCRIBES A PROPRIETARY ITEM AND IS THE PROPERTY OF CLEVELAND RANGE.  
 THIS DRAWING IS NOT TO BE COPIED OR USED WITHOUT THE APPROVAL OF CLEVELAND RANGE

ITEM	QTY	PART NO.	DESCRIPTION
TOLERANCES (EXCEPT AS NOTED)		<b>CLEVELAND RANGE INC.</b> 1333 East 179th St. Cleveland, Ohio 44110-2574	
DECIMAL ± .030	SCALE 1=1	DRAWN BY PJD	APPROVED BY
ANGULAR ± 1°	TITLE CLAMP, HOSE (5/8" O.D. HOSE) METAL TENSION BAND		
AC	DATE 11/11/01	DRAWING NO. D-107007	REV

LET.	REVISIONS	DATE	BY
A	ADDED APPROVED SOURCE NO. 2	1-03-78	DK
B	1) WAS MODEL NO. 5022-2-181 2) ADDED TO APPROVED SOURCE NO.1	5-06-81	FGF
C	WAS MODEL NO. 08-810211-045 REVISED PER ECN #1017	1-16-85	JM
D	REF: FENWAL INC. ADD: C.S.A. FILE NO. PER ECO #1202	9-30-87	DJP
-	REDRAWN (ACAD), NO CHANGE	10-21-93	CCAD



SPECIFICATIONS:  
CLOSE ON RISE ~ 193 ± 5°F  
OPEN ~ 173 ± 7°F  
UL APPROVED

NOTE:  
STRAIGHTEN TABS  
TO ALLOW FOR  
SOCKET WRENCH.

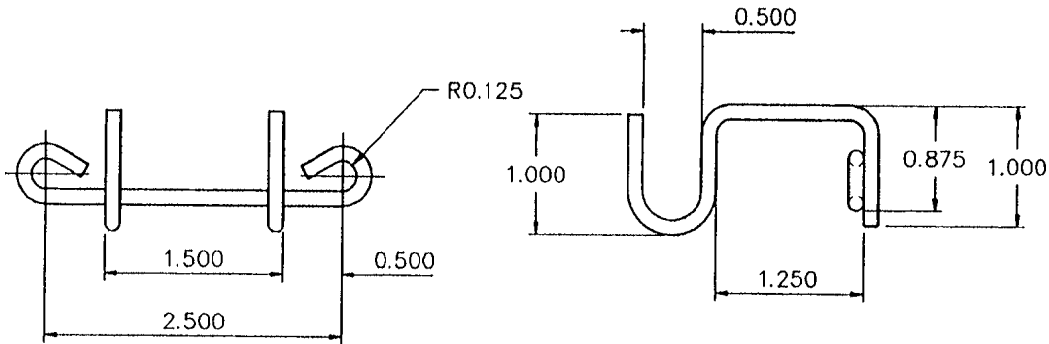
APPROVED SOURCE

- PROTECTIVE CONTROLS INC.  
MODEL NO. 5100-002-181  
U.L. FILE NO. E 36687  
C.S.A FILE NO. LR 25561
- FENWAL INCORPORATED  
MODEL NO. 08-809004-001  
U.L. FILE NO. E18974C  
C.S.A. FILE NO. LR7378-111

THIS DESIGN DESCRIBES A PROPRIETARY ITEM AND IS THE PROPERTY OF CLEVELAND RANGE.  
THIS DRAWING NOT TO BE COPIED OR USED WITHOUT THE APPROVAL OF CLEVELAND RANGE

ITEM	QTY	PART NO.	DESCRIPTION	
TOLERANCES (EXCEPT AS NOTED)		<b>CLEVELAND RANGE INC.</b> 1333 East 179th St. Cleveland, Ohio 44110-2574		
DECIMAL ± -	SCALE 1=2	DRAWN BY TKB	APPROVED BY	
ANGULAR ± 1°	TITLE THERMAL SWITCH			
AC	DATE 5-29-74	DRAWING NO. A- 19972	REV D	

LET.	REVISIONS	DATE	BY
A	REDESIGNED PER EO C-2579R1.	7-18-94	EJK



MATERIAL: 304 STAINLESS STEEL WIRE  
11 GAGE (.120)

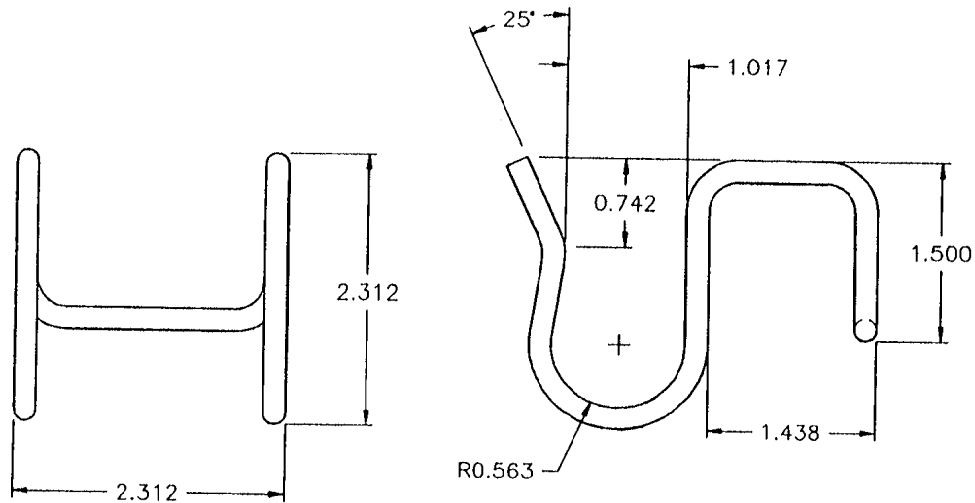
ITEM	QTY	PART NO.	DESCRIPTION	
TOLERANCES (EXCEPT AS NOTED)		<b>CLEVELAND RANGE INC.</b> 1333 East 179th St. Cleveland, Ohio 44110-2574		
DECIMAL $\pm .125$	SCALE 1=1	DRAWN BY EJK	APPROVED BY	
ANGULAR $\pm 1^\circ$	TITLE BRACKET, WIRE CONDENSER SOL.			
AC	DATE 10-20-92	DRAWING NO. B- 106159	REV A	

THIS DESIGN DESCRIBES A PROPRIETARY ITEM AND IS THE PROPERTY OF CLEVELAND RANGE.  
THIS DRAWING IS NOT TO BE COPIED OR USED WITHOUT THE APPROVAL OF CLEVELAND RANGE

NOTES:

1. ALL BEND RADII ARE .25 UNLESS OTHERWISE SPECIFIED.

LET.	REVISIONS	DATE	BY
------	-----------	------	----



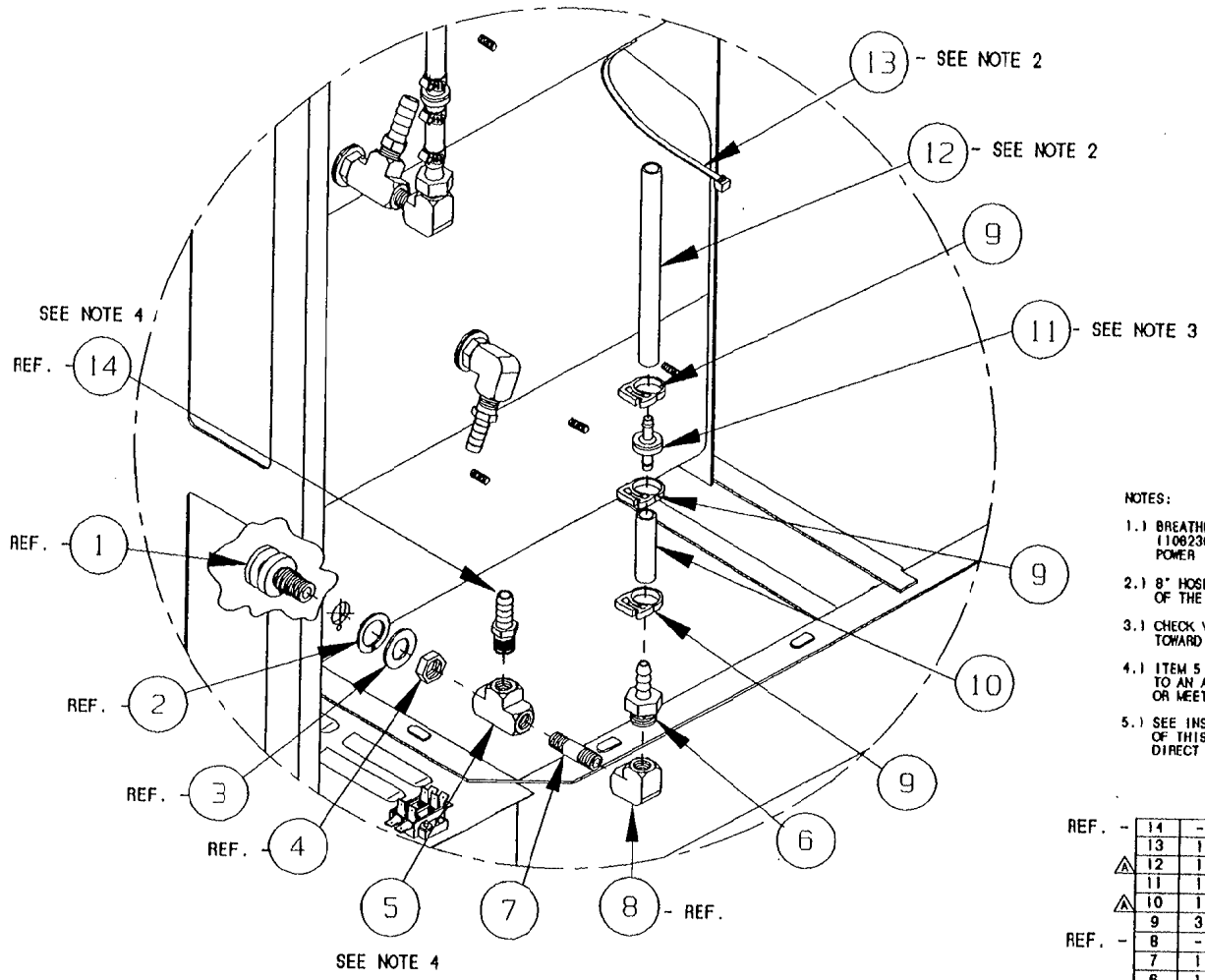
MATERIAL:  
WIRE, STAINLESS STEEL, 304  
3/16 DIA WIRE

ITEM	QTY	PART NO.	DESCRIPTION	
TOLERANCES (EXCEPT AS NOTED)		<b>CLEVELAND RANGE INC.</b> 1333 East 179th St. Cleveland, Ohio 44110-2574		
DECIMAL ± .030	SCALE 1=1	DRAWN BY JPB	APPROVED BY	
ANGULAR ± 1°	TITLE BRACKET, WIRE, VALVE SUPPORT			
AC	DATE 1/10/94	DRAWING NO. B-106752	REV -	

THIS DESIGN DESCRIBES  
THIS DRAWING IS A

PROPRIETARY ITEM AND IS THE PROPERTY OF CLEVELAND RANGE.  
BE COPIED OR USED WITHOUT THE APPROVAL OF CLEVELAND RANGE

LET.	REVISIONS	DATE	BY
A	SEE E.D. #C-2785	12-18-94	PJD



NOTES:

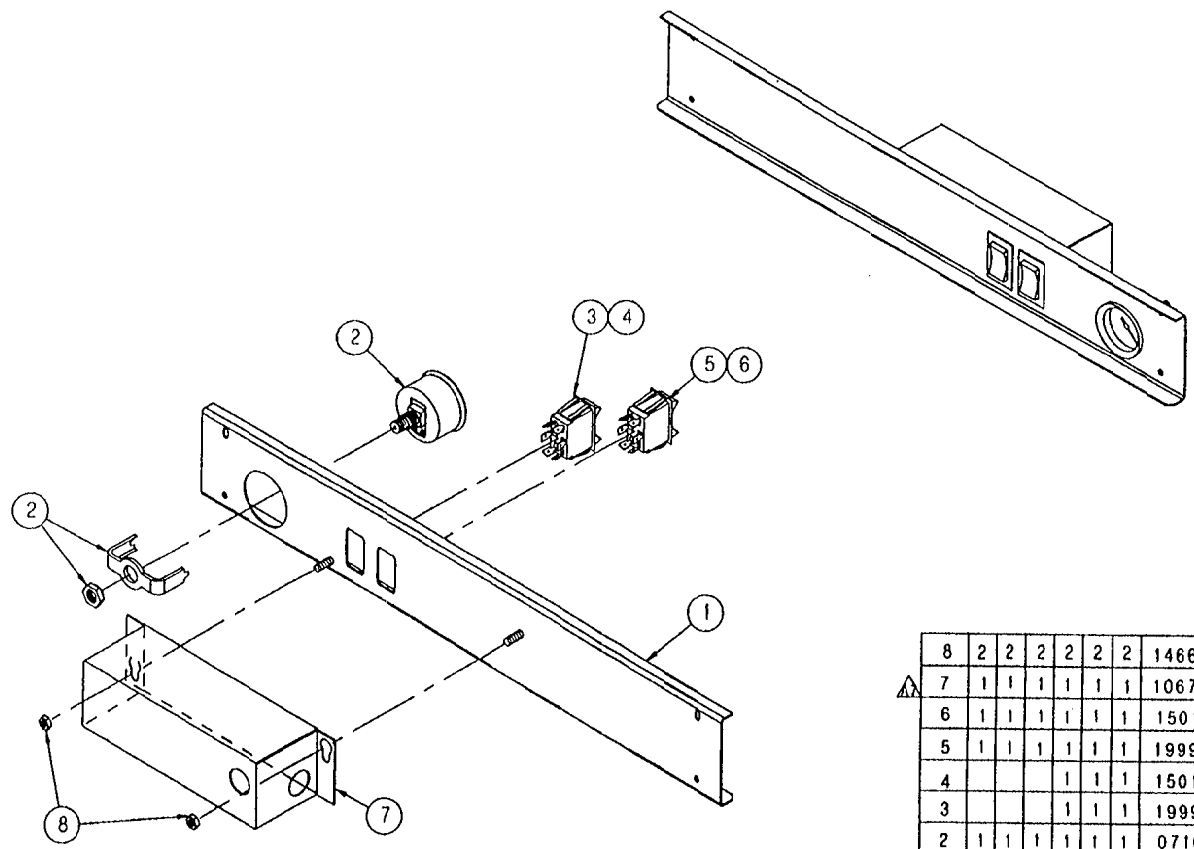
- 1.) BREATHER ASSY. (107059) TO REPLACE ONE SPRAY NOZZLE ASSY. (1108230) ONE PLACE PER CAVITY ON ALL CONVECTION, POWER 10 AND DIRECT CONNECT 10 UNITS.
- 2.) 8" HOSE IS TO BE SECURED WITH NYLON CABLE TO THE HOSE OF THE SPRAY NOZZLE ASSY. DIRECTLY ABOVE THE NEW ASSY.
- 3.) CHECK VALVE - SIDE WHICH READS "VAC" MUST FACE DOWN TOWARD HOSE BARB
- 4.) ITEM 5 (P/N 20199) AND ITEM 14 (P/N 105277) TO BE ROTATED TO AN ANGLE THAT WILL MATCH THE OTHER SPRAY NOZZLES OR MEET A MATING HOSE FITTING
- 5.) SEE INSTRUCTIONAL DRAWING 280ALC1-280ALC3 FOR INSTALLATION OF THIS ASSEMBLY INTO THE CONVECTION, POWER 10 AND DIRECT CONNECT STEAMER UNITS.

REF.	ITEM	QTY.	PART NO.	DESCRIPTION
REF.	14	-	105277	FITTING, 3/8 HOSE X 1/4 MPT
	13	1	20451	TIE, NYLON CABLE
△	12	1	1043790500	HOSE, SILICONE 1/4 ID X 1/2 OD X 5'
	11	1	107032	CHECK VALVE, PLASTIC DIAPHRAGM
△	10	1	1043790300	HOSE, SILICONE 1/4 ID X 1/2 OD X 3'
	9	3	14883	CLAMP, HOSE, NYLON
REF.	8	-	05236	ELBOW, 1/4 X 90°, BRASS
	7	1	14411	NIPPLE, 1/4 X 1.5", BRASS
	6	1	104381	FITTING, 1/4 HOSE X 1/4 MPT
	5	1	20199	TEE, 1/4 BRASS
	4	-	104081	NUT, HEX JAM 5/8-18 BRASS
	3	-	104232	WASHER, FLAT 6/S
REF.	2	-	104082	GASKET, STEAM INJECTOR
	1	-	104009	FITTING ASSY., STEAM SUPPLY
	ITEM	QTY.	PART NO.	DESCRIPTION

TOLERANCES (EXCEPT AS NOTED)			
<b>CLEVELAND RANGE INC.</b> 1333 East 179th St. Cleveland, Ohio 44110-2574			
DECIMAL ± N/A	SCALE 3/16=1	DRAWN BY DUTCHMAN	APPROVED BY
ANGULAR ± N/A	TITLE BREATHER/SPRAY NOZZLE ASSY. (3/8" HOSE) CONVECTION, POWER 10 AND D.C. 10		
CK	DATE 09-15-94	DRAWING NO. C - 107059	REV. A

THIS DESIGN DESCRIBES A PROPRIETARY ITEM AND IS THE PROPERTY OF CLEVELAND RANGE. THIS DRAWING IS NOT TO BE COPIED OR USED WITHOUT THE APPROVAL OF CLEVELAND RANGE.

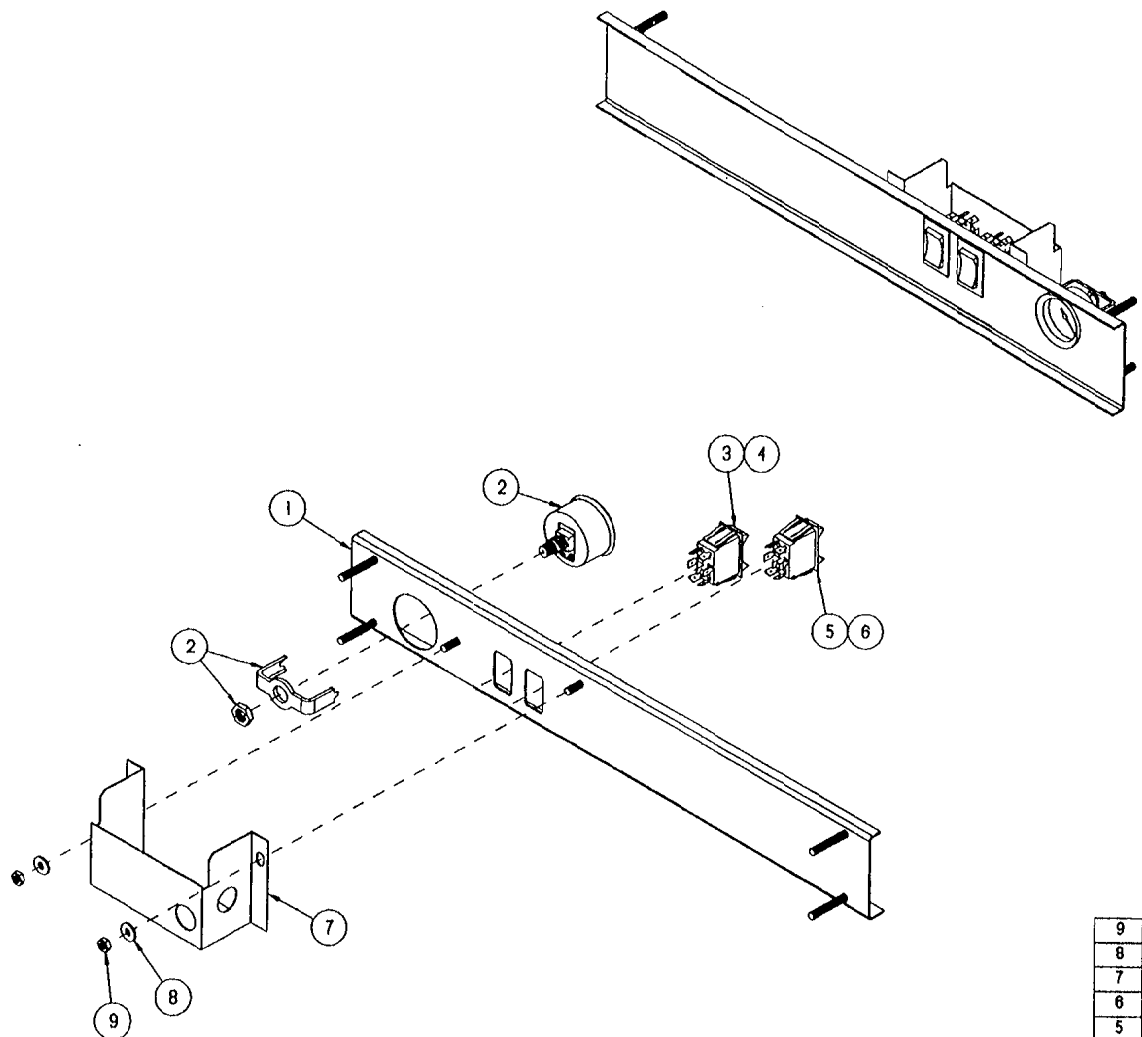
LET	REVISIONS	DATE	BY
A	DELETED P/H 23116. P/H'S REVISED:	05-19-94	EAG
-	1) 105133 WAS 1041543. 2) 105134 WAS		
-	1041544. 3) 105135 WAS 1041545.		
-	4) 1051331 WAS 104154. 5) 1051341 WAS		
-	1041541. 6) 1051351 WAS 1041542.		
-	7) P/H 106740 WAS 105516. E.O. C-2843		



	8	2	2	2	2	2	2	14665	NUT, HEX LOCK ELASTIC, 1/4-20, S/S	
▲	7	1	1	1	1	1	1	106740	BOX, SWITCH PROTECTION	
	6	1	1	1	1	1	1	15018	LABEL, POWER, CONSOLE SWITCH	
	5	1	1	1	1	1	1	19993	SWITCH, ROCKER, DPDT, ON-OFF, 6 AMP	
	4				1	1	1	15019	LABEL, STEAM-CONSOLE SWITCH	
	3				1	1	1	19994	SWITCH, ROCKER, SPST, 15 AMP	
	2	1	1	1	1	1	1	07168	GAUGE, PRESSURE, BACK MOUNT, 10 PSI	
▲				1				1051351	CONSOLE STUD ASSY, 1050 MM 1 SWITCH	
▲				1				1051341	CONSOLE STUD ASSY, 900 MM 1 SWITCH	
▲	1	1						1051331	CONSOLE STUD ASSY, 600 MM 1 SWITCH	
▲							1	105135	CONSOLE STUD ASSY, 1050 MM 2 SWITCH	
▲						1		105134	CONSOLE STUD ASSY, 900 MM 2 SWITCH	
▲				1				105133	CONSOLE STUD ASSY, 600 MM 2 SWITCH	
ITEM								QTY.	PART NO.	DESCRIPTION

104807	1048071	1048072	1048073	1048074	1048075	TOLERANCES (EXCEPT AS NOTED)		<b>CLEVELAND RANGE INC.</b> 1333 East 179th St. Cleveland, Ohio 44110-2574		
1	1	1	1	1	1	DECIMAL ± N/A	SCALE 3/8	DRAWN BY DUTCHMAN	APPROVED BY	
SWITCH CONTROL						ANGULAR ± 1°	TITLE CONSOLE ASSY, 1 & 2 SWITCH CONTROL			
						DATE 10-08-93	DRAWING NO. C - 104807 TO 16	REV. 5	A	

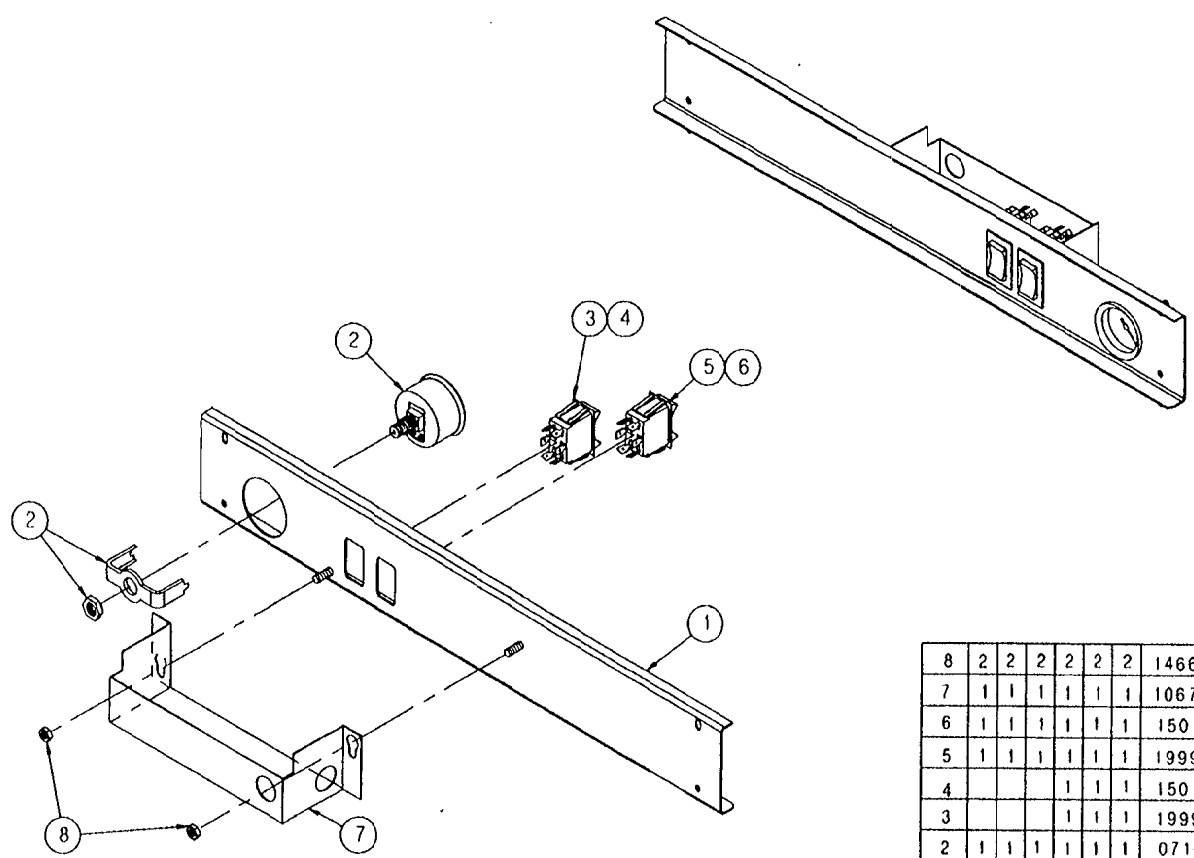
THIS DESIGN DESCRIBES A PROPRIETARY ITEM AND IS THE PROPERTY OF CLEVELAND RANGE. THIS DRAWING IS NOT TO BE COPIED OR USED WITHOUT THE APPROVAL OF CLEVELAND RANGE.



9	2	14665	NUT, HEX LOCK ELASTIC, 1/4-20, S/S
8	2	23118	WASHER, FLAT, 1/4 ID X 5/8 OD X .065
7	1	105516	BOX, SWITCH PROTECTION
6	1	15018	LABEL, POWER, CONSOLE SWITCH
5	1	19993	SWITCH, ROCKER, DPDT, ON-OFF, 8 AMP
4	1	15019	LABEL, STEAM-CONSOLE SWITCH
3	1	19994	SWITCH, ROCKER, SPST, 15 AMP
2	1	07168	GAUGE, PRESSURE, BACK MOUNT, 10 PSI
1	1	1041543	CONSOLE STUD ASSY, 900 MM 2 SWITCH
ITEM	QTY.	PART NO.	DESCRIPTION

<b>CLEVELAND RANGE INC.</b> 1333 East 179th St. Cleveland, Ohio 44110-2574			
TOLERANCES (UNLESS AS NOTED)	SCALE 3/8	DRAWN BY E. GRIVEAS	APPROVED BY NLT
DECIMAL ± N/A	TITLE CONSOLE ASSY, 800 MM, 2 SWITCH CONTROL		
ANGULAR ± 1°	DATE 10-08-93	DRAWING NO. C - 1048073	REV -

THIS DESIGN DESCRIBES A PROPRIETARY ITEM AND IS THE PROPERTY OF CLEVELAND RANGE. THIS DRAWING IS NOT TO BE COPIED OR USED WITHOUT THE APPROVAL OF CLEVELAND RANGE.

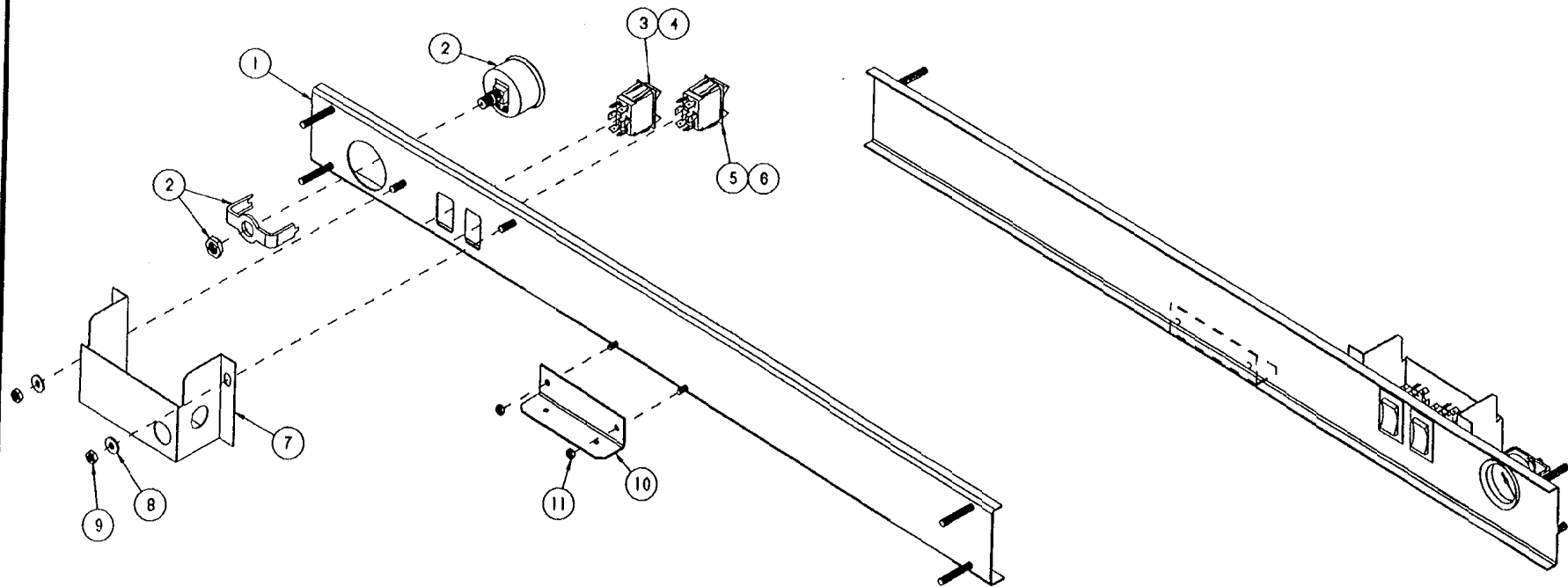


8	2	2	2	2	2	2	14665	NUT, HEX LOCK ELASTIC, 1/4-20, S/S
7	1	1	1	1	1	1	106739	BOX, SWITCH PROTECTION
6	1	1	1	1	1	1	15018	LABEL, POWER, CONSOLE SWITCH
5	1	1	1	1	1	1	19993	SWITCH, ROCKER, OPDT, ON-OFF, 6 AMP
4				1	1	1	15019	LABEL, STEAM-CONSOLE SWITCH
3				1	1	1	19994	SWITCH, ROCKER, SPST, 15 AMP
2	1	1	1	1	1	1	07168	GAUGE, PRESSURE, BACK MOUNT, 10 PSI
1			1				1051351	CONSOLE STUD ASSY, 1050 MM 1 SWITCH
		1					1051341	CONSOLE STUD ASSY, 900 MM 1 SWITCH
	1						1051331	CONSOLE STUD ASSY, 600 MM 1 SWITCH
						1	105135	CONSOLE STUD ASSY, 1050 MM 2 SWITCH
					1		105134	CONSOLE STUD ASSY, 900 MM 2 SWITCH
					1		105133	CONSOLE STUD ASSY, 600 MM 2 SWITCH
ITEM	QTY.						PART NO.	DESCRIPTION

106193	1061931	1061932	1061933	1061934	1061935	<b>CLEVELAND RANGE INC.</b> 1333 East 179th St. Cleveland, Ohio 44110-2574		
TOLERANCES (EXCEPT AS NOTED) DECIMAL ± N/A ANGULAR ± 1°						SCALE 3/8	DRAWN BY E. GRIVEAS	APPROVED BY
1 SWITCH CONTROL 2 SWITCH CONTROL						TITLE CONSOLE ASSY, TABLETOP W/TR 1 & 2 SWITCH CONTROL		
CK						DATE 05-19-34	DRAWING NO. C - 106193 TO 1061935	REV -

THIS DESIGN DESCRIBED IS THE PROPERTY OF CLEVELAND RANGE AND IS NOT TO BE COPIED OR USED WITHOUT THE APPROVAL OF CLEVELAND RANGE.

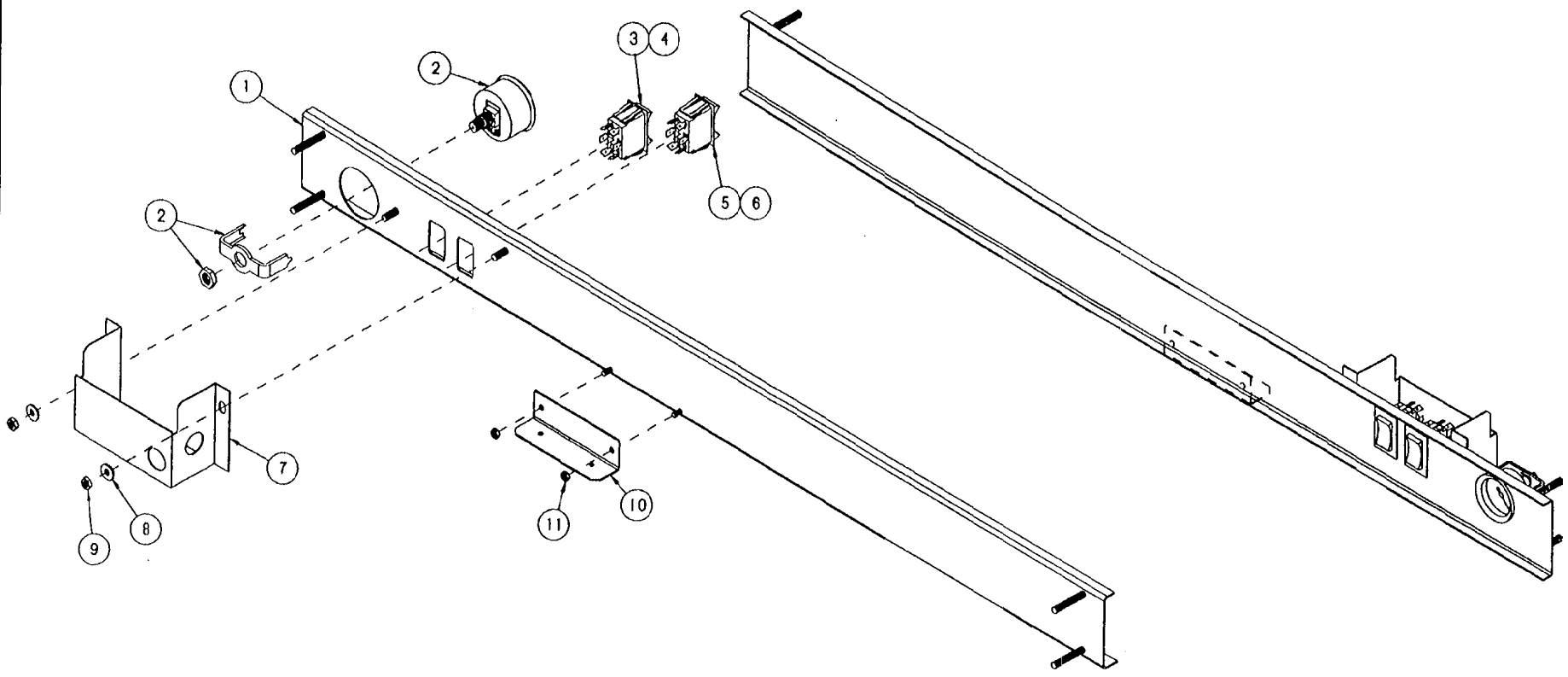




11	2	14692	NUT, HEX LOCK ELASTIC, 10-24 ZINC PL
10	1	102535	BRACKET, MAGNET MOUNT
9	2	14865	NUT, HEX LOCK ELASTIC, 1/4-20, S/S
8	2	23118	WASHER, FLAT, 1/4 ID X 5/8 OD X .085
7	1	105518	BOX, SWITCH PROTECTION
6	1	15018	LABEL, POWER, CONSOLE SWITCH
5	1	19993	SWITCH, ROCKER, DPDT, ON-OFF, 8 AMP
4	1	15019	LABEL, STEAM-CONSOLE SWITCH
3	1	19994	SWITCH, ROCKER, SPST, 15 AMP
2	1	07168	GAUGE, PRESSURE, BACK MOUNT, 10 PSI
1	1	1041544	CONSOLE STUD ASSY, 900 MM 2 SWITCH
ITEM	QTY	PART NO.	DESCRIPTION

<b>TOLERANCES</b> <small>(EXCEPT AS NOTED)</small>			
<b>CLEVELAND RANGE INC.</b> 1333 East 179th St. Cleveland, Ohio 44110-2574			
DECIMAL $\pm$ N/A	SCALE 3/8	DRAWN BY E. GRIVEAS	APPROVED BY NL
ANGULAR $\pm$ 1°	TITLE CONSOLE ASSY, 900 MM, 2 SWITCH CONTROL		
CK	DATE 09-20-93	DRAWING NO. C - 1048074	REV -

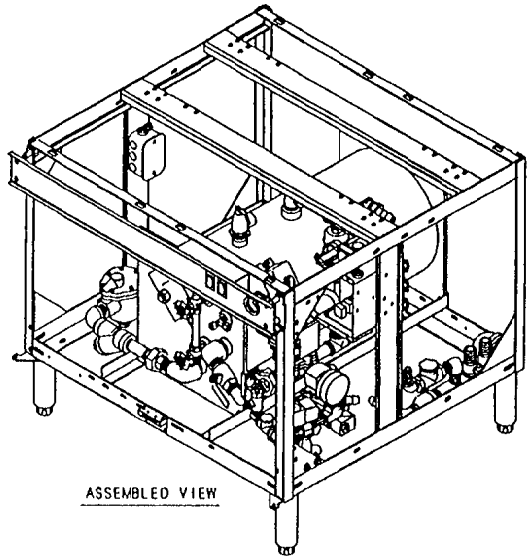
THIS DESIGN DESCRIBES A PROPRIETARY ITEM AND IS THE PROPERTY OF CLEVELAND RANGE. THIS DRAWING IS NOT TO BE COPIED OR USED WITHOUT THE APPROVAL OF CLEVELAND RANGE.



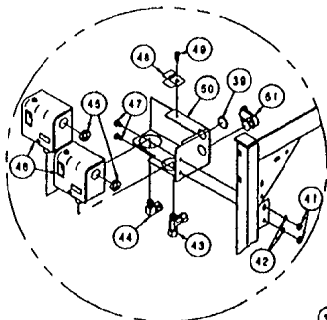
ITEM	QTY.	PART NO.	DESCRIPTION
11	2	14692	NUT, HEX LOCK ELASTIC, 10-24 ZINC PL
10	1	102535	BRACKET, MAGNET MOUNT
9	2	14665	NUT, HEX LOCK ELASTIC, 1/4-20, S/S
8	2	23116	WASHER, FLAT, 1/4 ID X 5/8 OD X .08
7	1	105510	BOX, SWITCH PROTECTION
6	1	15018	LABEL, POWER, CONSOLE SWITCH
5	1	19993	SWITCH, ROCKER, DPDT, ON-OFF, 6 AMP
4	1	15019	LABEL, STEAM-CONSOLE SWITCH
3	1	19994	SWITCH, ROCKER, SPST, 15 AMP
2	1	07168	GAUGE, PRESSURE, BACK MOUNT, 10 PSI
1	1	1041545	CONSOLE STUD ASSY, 1050 MM 2 SWITCH

TOLERANCES (EXCEPT AS NOTED)			
<b>CLEVELAND RANGE INC.</b> 1333 East 179th St. Cleveland, Ohio 44110-2574			
DECIMAL ± N/A	SCALE 3/8	DRAWN BY E. GRIVEAS	APPROVED BY MLT
ANGULAR ± 1°			
TITLE CONSOLE ASSY, 1050 MM. 2 SWITCH CONTROL			
CK	DATE 08-17-93	DRAWING NO. C - 1048075	REV -

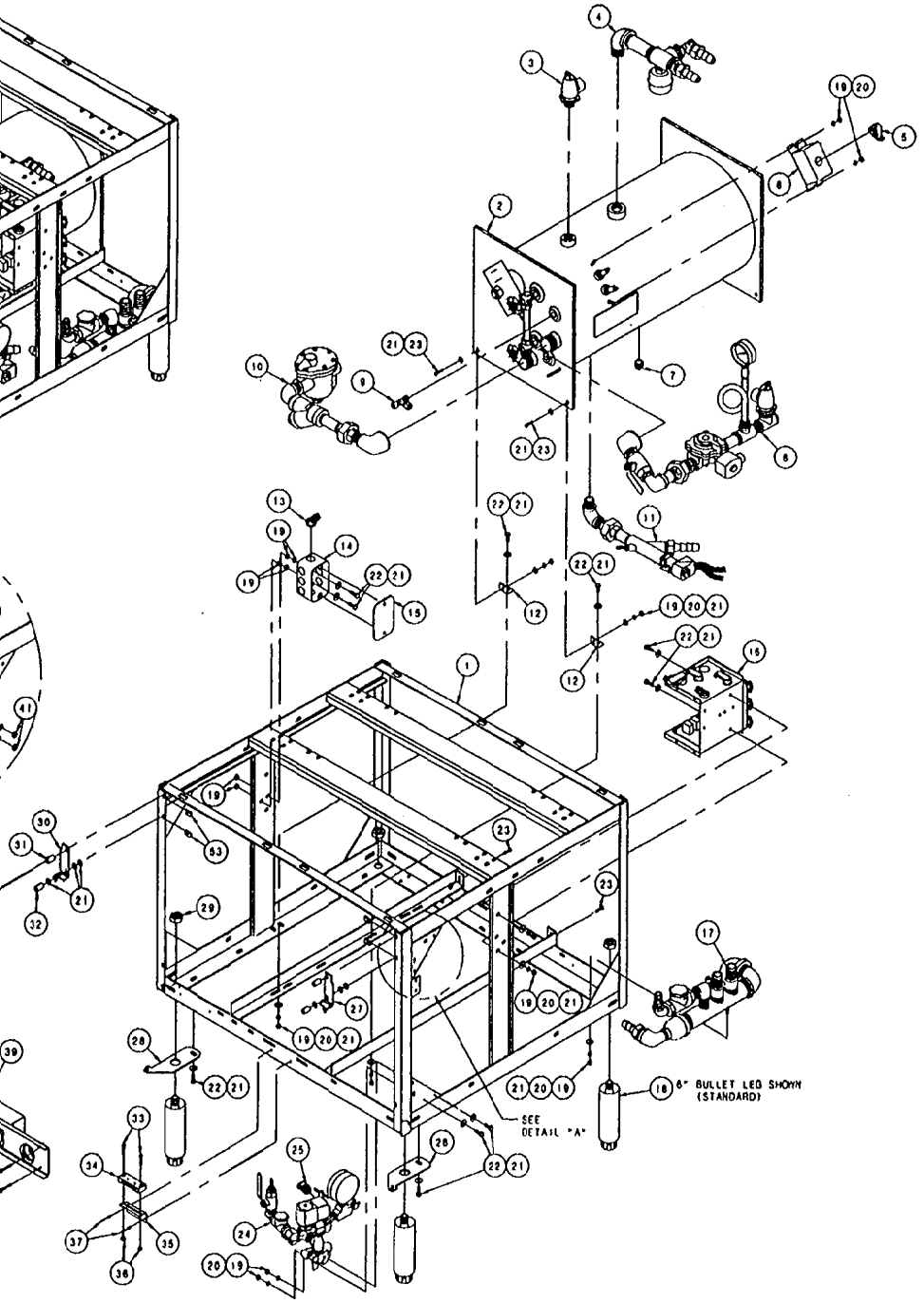
THIS DESIGN DESCRIBES A PROPRIETARY ITEM AND IS THE PROPERTY OF CLEVELAND RANGE. THIS DRAWING IS NOT TO BE COPIED OR USED WITHOUT THE APPROVAL OF CLEVELAND RANGE.



ASSEMBLED VIEW



DETAIL A



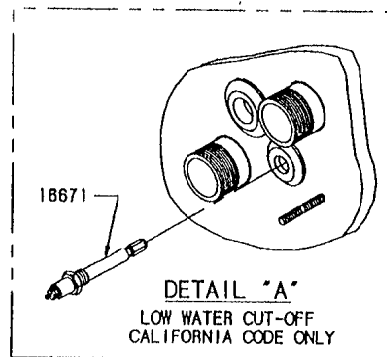
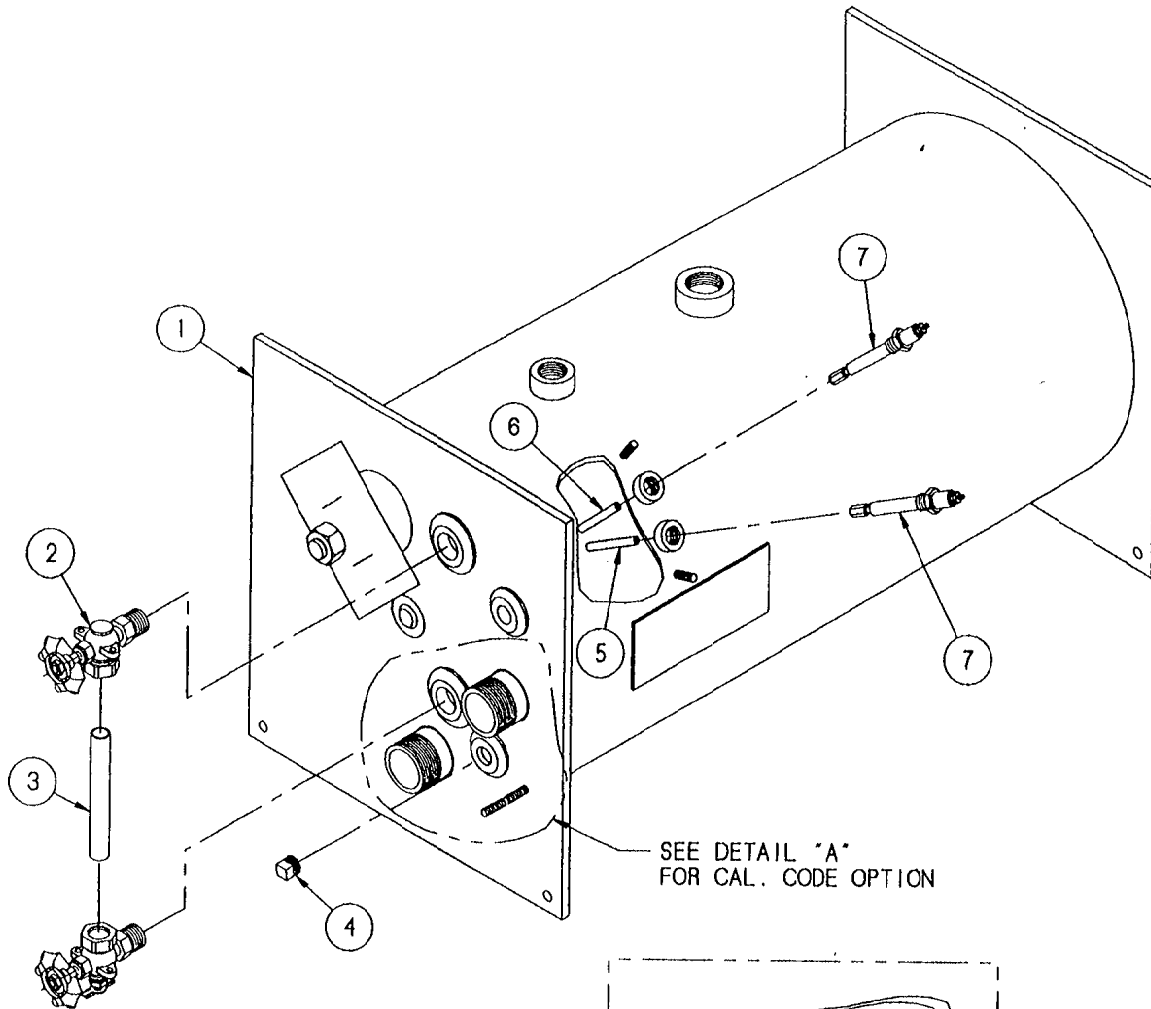
SEE DETAIL "A"

THIS DESIGN DESCRIBES A PROPRIETARY ITEM AND IS THE PROPERTY OF CLEVELAND RANGE. THIS DRAWING IS NOT TO BE COPIED OR USED WITHOUT THE APPROVAL OF CLEVELAND RANGE.

LET.	REVISIONS	DATE	BY
A	ADDED P/N 106090, 106899; P/N 23116 WAS	05-23-94	EAG
-	DTY(28), P/N 14618 WAS DIV(23), #C-2843		

64	4	106890	SCREW, TRUSS HD PHILPS, 10-24 X 1-1/2
63	4	106899	NUT, SLIP ON, 13-24, TINNERMAN
62	A/R	00894	SEALANT, RECTORSEAL
51	1	105247	CONNECTOR, 1/2 X 80° SNAPTITE
50	1	526241	BRACKET, PRESSURE SWITCH, GAS/ELEC
49	1	10148	SCREW, HEX WASHER HEAD, SLTD
48	1	52490	BRACKET, PRESSURE SWITCH RETAINER
47	2	18218	SCREW, HEX HEAD, 1/4-20 X 3/8 S/S
46	2	18947	SWITCH, PRESSURE CONTROL
45	2	02599	BUSHING, INSULATING, 3/8 X 1/2 HEYCO
44	1	09198	FITTING, COMP, 3/8 X 1/4 NPT, 90°
43	1	100803	FITTING, COMP TEE 3/8 X 1/4 NPT X 3/8
42	2	23137	WASHER, LOCK INT TOOTH, 1/4 S/S
41	2	14688	NUT, HEX JAM, 1/4-20, S/S
40	1	105246	CONNECTOR, GREENFIELD 1/2 STRAIGHT
39	1	19329	PLUG, SNAP-IN, 1/2" FOR 7/8" HOLE
38	1	1048074	CONSOLE ASSY, 900 MM 2 SWITCH
37	A/R	18358	RIVET, 1/8 DIA, FLUSH BREAK S/S
36	4	14674	NUT, HEX 6-32 ZINC PLATED
35	1	53274	CLIP, MAGNET CATCH, S/S
34	2	03100	CATCH, MAGNETIC
33	4	19298	SCREW, HD, HEAD 6-32 X 1 ZINC PLTD
32	2	195532	SPACER
31	2	19555	SPACER
30	1	928811	HINGE, UPPER LEFT HINGE
29	4	14688	NUT, HEX JAM 3/4-10 ZINC PLTD
28	1	1020882	HINGE, LOWER LEFT HINGE
27	1	528821	HINGE, UPPER RIGHT HINGE
26	1	1020883	HINGE, LOWER RIGHT HINGE
25	1	105243	CONNECTOR, GREENFIELD 3/8 STRAIGHT
24	1	100304	WATER FEED ASSY, REV BEND GEN, 3/8"
23	4	19292	SCREW, ROUND HEAD, SLTD, 1/4-20 X 1" LG
22	10	18288	SCREW, HEX HEAD, 1/4-20 X 3/4
21	25	23110	WASHER, FLAT 1/4 X 5/8 X .085
20	11	23105	WASHER, LOCK 1/4 KATLINK STYLE
19	19	14618	NUT, HEX 1/4-20 S/S
18	4	08159	LEG, BULLET 6"
17	1	427601	DRAIN ASS'Y, MANIFOLD
16	1	44186	BOX, ELECTRIC, STEAM COIL W/COMPONENTS
15	1	02388	COVER, HANDI-BOX
14	1	02381	BOX, HANDI-BOX, ELECTRICAL
13	1	105244	CONNECTOR, GREENFIELD, 3/8" X 45°
12	2	101893	BRACKET, GENERATOR, MNTD LG STM COIL
11	1	101880	BLOWDOWN ASSM, AUTO, PCL STEAM COIL
10	1	101703	PIPING, STEAM OUTLET...PCL & STEAM COIL
9	1	030073	FITTING, COMP, TEE, 3/8" BRASS
8	1	101723	INLET, STEAM ASSM, PCL STEAM COIL
7	1	18802	PLUG, SO. HD, CORED, 1/2" PIPE, BLK
6	1	101112	BOX, PROBE COVER, LARGE STEAM COIL
5	1	105245	CONNECTOR, GREENFIELD, 3/8" X 80°
4	1	101724	PIPING ASSM, STEAM OUTLET, PCL
3	1	22131	VALVE, SAFETY, 3/4" 18 PSI, BRONZE
2	1	101927MP	GENERATOR ASSM, LG STM COIL, W/REF PARTS
1	-	1018921	BASE, WELDMENT, 900MM, A C S
1	-	101892	BASE WELDMENT, 900MM, S/S

ITEM	QTY	PART NO.	DESCRIPTION
TOLERANCES (EXCEPT AS NOTED)			
CLEVELAND RANGE INC. 1333 East 178th St., Cleveland, Ohio 44110-2974			
DECIMAL & N/A	SCALE 1/8"=1	DRAWN BY E. GRIVEAS	APPROVED BY
ANGULAR & N/A	TITLE	BASE ASSEMBLY, LARGE STEAM COIL GENERATOR 900 MM, PCL	
CK	DATE 12-06-93	DRAWING NO. C - FJE0001	REV. A

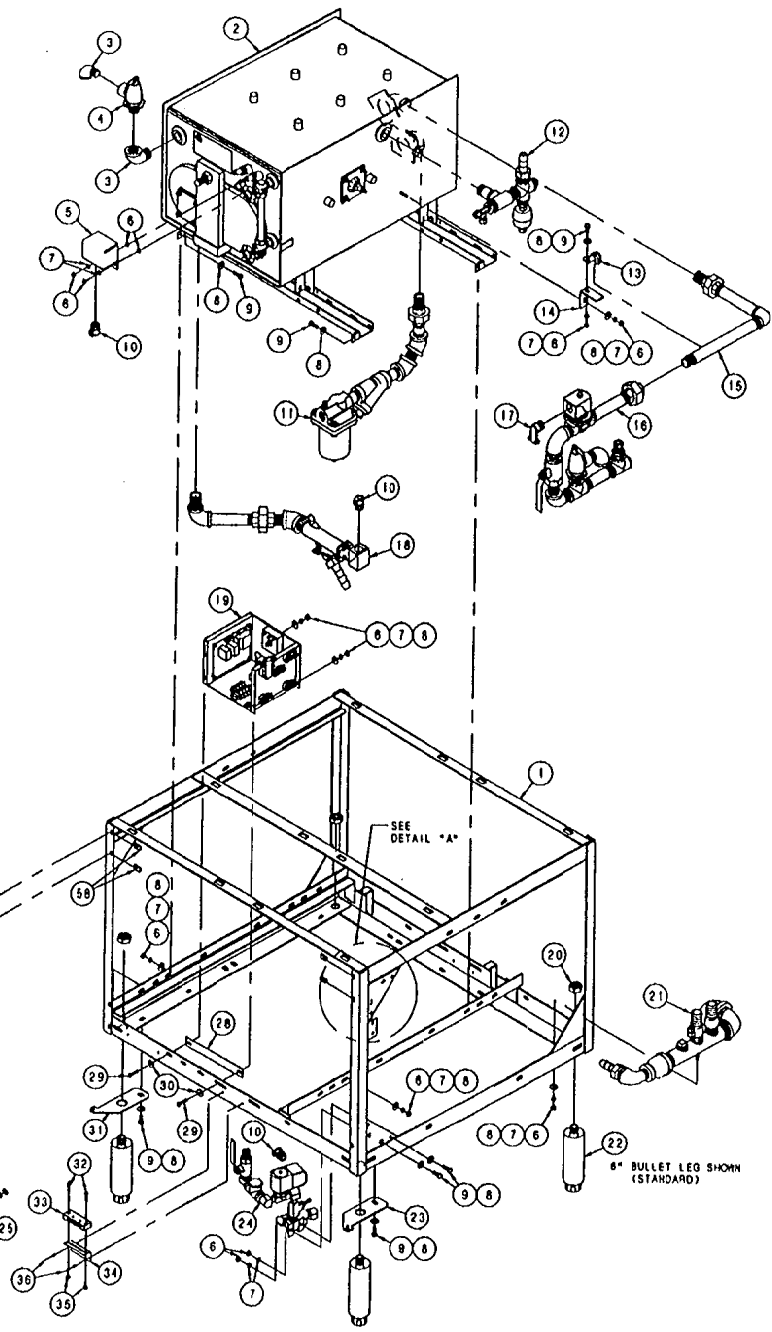
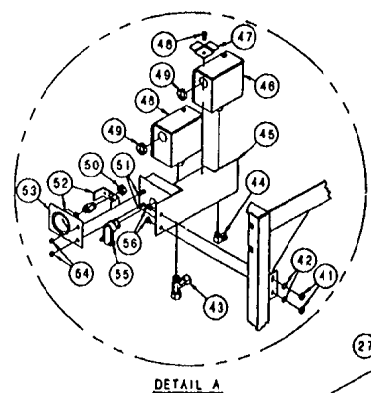
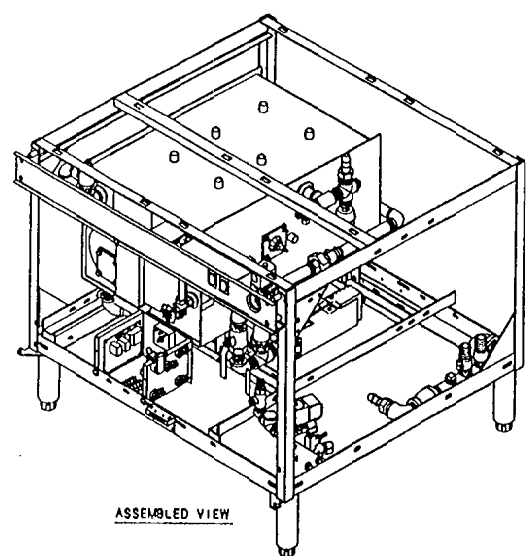


THIS DESIGN DESCRIBES A PROPRIETARY ITEM AND IS THE PROPERTY OF CLEVELAND RANGE. THIS DRAWING IS BE COPIED OR USED WITHOUT THE APP. CLEVELAND RANGE.

8	A/R	00934	SEALANT, RECTORSEAL
7	2	16671	PROBE, WARRICK, 4-5/16" LG.
6	1	101913	EXTENSION, PROBE, HIGH WATER, PCL
5	1	101912	EXTENSION, PROBE, LOW WATER, PCL
4	1	18601	PLUG, SQUARE HEAD, 3/8" PIPE BLACK
3	1	101900	GAUGE, WATER, 5/8" X 4.625", GLASS
2	1	07176	GAUGE FITTINGS, WATER, 1/2"
1	1	101927	GENERATOR ASM, 2 PROBE, LG ST COIL
ITEM	QTY.	PART NO.	DESCRIPTION

TOLERANCES (UNLESS AS NOTED)			
<b>CLEVELAND RANGE INC.</b> 1333 East 179th St. Cleveland, Ohio 44110-2574			
DECIMAL ± N/A	SCALE 3/8=1	DRAWN BY E. GRIVEAS	APPROVED BY
ANGULAR ± N/A	TITLE GENERATOR ASSEMBLY, LARGE STEAM COIL W/ REFERENCE PARTS		
CK	DATE 11-23-93	DRAWING NO. C - 101	WP REV.

LET.	REVISIONS	DATE	BY
A	REPLACED 19927 WITH 19921 AND 14859 WITH 14865. SEE EC-C-2818	4/25/84	DLD
B	ADDED P/N 106698, 106699; P/N 23116 WAS QTY(23). P/N 14818 WAS QTY(17), #C-2643	05-23-94	EAG

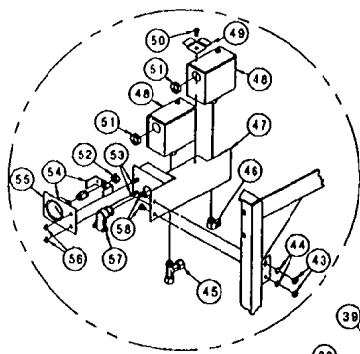
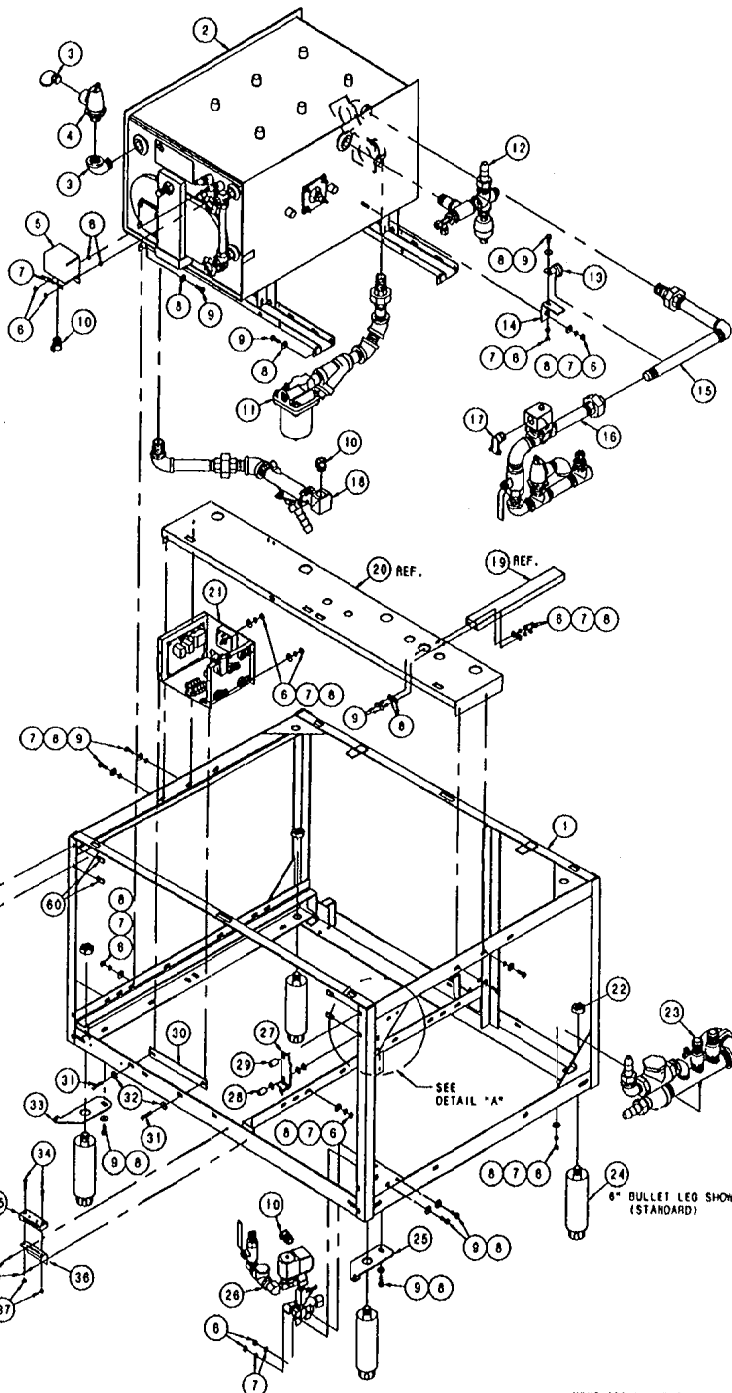
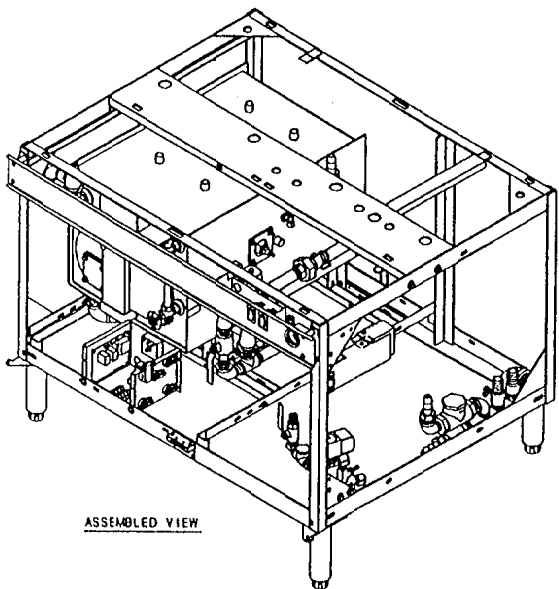


ITEM	QTY	PART NO.	DESCRIPTION
39	4	106898	SCREW, TRUSS HD PHILPS, 10-24 X 1-1/2
38	4	106899	NUT, SLIP ON, 10-24, TIMBERMAN
37	N/A	00934	SEALANT, RECTORSFEL
36	2	19218	SCREW, HEX HEAD, 1/4-20 X 3/5 S/S
35	1	108247	CONNECTOR, GREENFIELD, 3/8" X 90°
34	2	14868	NUT, ELASTIC LOCK, 1/4-20, S/S
33	1	52548	BRACKET, PRESSURE GAUGE, 2 X 4-1/4
32	1	07188	GAUGE, PRESSURE, PANEL MOUNT
31	2	19921	FITTING, COMPRESSION, 3/8" X 1/4" FPT
30	1	08197	BUSHING, INSULATING, 3/8 X 1/2 HEYCO
29	2	02698	SCREW, HEX WASHER HEAD, 3/8 X 1/2 HEYCO
28	1	19148	BRACKET, PRESSURE SWITCH RETAINER
27	1	52499	SWITCH, PRESSURE CONTROL
26	2	19947	BRACKET, PRESSURE SWITCH 2 PROBE
25	1	52640	FITTING, COMP, 3/8 X 1/4 NPT, 90°
24	1	08198	FITTING, COMP TEE 3/8 X 1/4 NPT X 3/4
23	1	100803	WASHER, LOCK INT. TOOTH, 1/4 S/S
22	2	23137	NUT, HEX JAW, 1/4-20, S/S
21	1	14868	PLUG, SHAP-TH, 1/2" FOR 7/8" HOLE
20	1	19329	CONNECTOR, GREENFIELD 1/2 STRAIGHT
19	1	1048074	CONSOLE ASSY, 90D MM 2 SWITCH
18	1	412182	BRACKET, ASS'Y, TOP HINGE, L.S.
17	A/R	16358	RIVET, 1/8 DIA, FLUSH BREAK S/S
16	4	14874	NUT, HEX 8-32 ZINC PLATED
15	1	33274	CLIP, MAGNET CATCH, S/S
14	2	03100	CATCH, MAGNETIC
13	4	19208	SCREW, RD HEAD 8-32 X 1 ZINC PLTD
12	1	1020832	WASHER, LOWER LEFT HINGE
11	2	101855	WASHER, FLAT, #10 S/S
10	2	19287	SCREW, PAN HEAD, #10-24 X 5 LG S/S
9	1	86732	PLATE, COVER, STEAM COIL BASE
8	2	19555	SPACER
7	2	09582	SPACER
6	1	412192	BRACKET, ASS'Y, TOP HINGE, R.S.
5	1	440702	WATER FEED ASSY, REV BEND GEN
4	1	1020803	HINGE, LOWER RIGHT HINGE
3	4	06156	LEG, BULLET 8"
2	1	42781	DRAIN ASSEMBLY, MANIFOLD, STEAM COIL
1	4	14868	NUT, HEX JAW 3/4-10 ZINC PLTD
18	1	44188	BOX, ELECTRIC, STEAM COIL W/COMPONENTS
17	1	42813	PIPING, GENERATOR DRAIN, ST.CO. MANUAL
16	1	108248	CONNECTOR, GREENFIELD, 3/8" X 90°
15	1	42809	PIPING, STEAM SUPPLY, STEAM COIL
14	1	52808	PIPING, STEAM SUPPLY, ASSM, STEAM COIL
13	1	52830	BRACKET, PIPE, REV BEND GEN.
12	1	03197	CLAMP, 1 HOLE, RIGID, 3/4"
11	1	428123	PIPING, STEAM COULET, REV BEND
10	1	42810	PIPING, CONDENSATE DRAIN, STEAM COIL
9	3	105243	CONNECTOR, GREENFIELD 3/8 STRAIGHT
8	7	19288	SCREW, HEX HEAD, 1/4-20 X 3/4
7	19	23118	WASHER, FLAT 1/4 X 5/8 X 083
6	13	23105	WASHER, LOCK 1/4 KATLINK STYLE
5	19	14818	NUT, HEX 1/4-20 S/S
4	1	92305	BOX, PROBE COVER, 2 PROBES, A.C.S.
3	1	22131	VALVE, SAFETY, 3/4" 90° PSI, BRONZE
2	2	05259	ELBOW, STREET, 3/4", 90° BLACK
1	1	408211MP	GENERATOR ASM, STEAM COIL, W/REF PARTS
1	1	411201	BASE WELDMENT, 900MM, A.C.S.
1	1	41120	BASE WELDMENT, 900MM, S/S

THIS DESIGN DESCRIBES A PROPRIETARY ITEM AND IS THE PROPERTY OF CLEVELAND RANGE. THIS DRAWING IS NOT TO BE COPIED OR USED WITHOUT THE APPROVAL OF CLEVELAND RANGE.

NEXT ASS'Y DHE0018

ITEM	QTY	PART NO.	DESCRIPTION
TOLERANCES UNLESS SHOWN			
<b>CLEVELAND RANGE INC.</b> 1333 East 179th St. Cleveland, Ohio 44110-2574			
DESIGNER	SCALE	DRAWN BY	APPROVED BY
A N/A	1/8" = 1"	E. GRIVEAS	H.T.
ANALYST	TITLE	DATE	
A N/A	BASE ASSEMBLY, STEAM COIL, 900 MM	10-22-93	
CK	DRAWING NO.	REV	
	C - DHE0012	B	



THIS DESIGN IS A PROPRIETARY ITEM AND IS THE PROPERTY OF CLEVELAND RANGE. THIS DRAWING IS TO BE COPIED OR USED WITHOUT THE APPROVAL OF CLEVELAND RANGE.

LET.	REVISIONS	DATE	BY
A	REPLACED 19927 WITH 19921 AND 14619 WITH 14689. SEE ED C-1010.	4/25/94	DLB
B	ADDED P/N 106698, 106699; P/N 23118 WAS QTY(33). P/N 14618 WAS QTY(21), P/N 1061935 WAS 1048075. PER E.O. #C-2643	05-23-94	EAG

81	4	108898	SCREW, TRUSS HD. PHILPS, 10-24 X 1-1/2
80	4	108899	NUT, SLIP ON, 10-24, TINNERMAN
79	A/R	00931	SEALANT, RECTORSEAL
58	2	19216	SCREW, HEX HEAD, 1/4-20 X 3/5 S/S
57	1	105247	CONNECTOR, 1/2 X 90° SHAP-LITE
56	2	14885	NUT, ELASTIC LOCK, 1/4-20, S/S
55	1	92548	BRACKET, PRESSURE GAUGE, 2 X 1-1/4
54	1	07188	GAUGE, PRESSURE, PANEL MOUNT
53	2	19921	STUD, WELD, 1/4-20 X 1/2, S/S
52	1	06197	FITTING, COMPRESSION, 3/8" X 1/4" FPT
51	2	02588	BUSHING, INSULATING, 3/8 X 1/2 HEYCO
50	1	19148	SCREW, HEX WASHER HEAD, STD
49	1	92498	BRACKET, PRESSURE SWITCH RETAINER
48	2	19947	SWITCH, PRESSURE CONTROL
47	1	82840	BRACKET, PRESSURE SWITCH 2 PROBE
46	1	06188	FITTING, COMP, 3/8 X 1/4 MPT, 90°
45	1	100883	FITTING, COMP TEE 3/8 X 1/4 MPT X 3/8
44	2	23197	WASHER, LOCK INT. TOOTH, 1/4 S/S
43	2	14888	NUT, HEX JAM, 1/4-20, S/S
42	1	19329	PLUG, SHAP-IN, 1/2" FOR 7/8" HOLE
41	1	105248	CONNECTOR, GREENFIELD 1/2 STRAIGHT
40	1	1061935	CONSOLE ASSY, 1050 MM 2 SWITCH
39	1	412187	BRACKET, ASS'Y, TOP HINGE, L.S.
38	A/R	18350	RIVET, 1/8 DIA, FLUSH BREAK S/S
37	4	14874	NUT, HEX 6-32 ZINC PLATED
36	1	53274	CLIP, MAGNET CATCH, S/S
35	2	03100	CATCH, MAGNETIC
34	4	19208	SCREW, RD. HEAD 8-32 X 1 ZINC PLTD
33	1	102082	HINGE, LOWER LEFT HINGE
32	2	101885	WASHER, FLAT, #10 S/S
31	2	19287	SCREW, PAN HEAD, #10-24 X 5 LD S/S
30	1	96732	PLATE, COVER, STEAM COIL BASE
29	2	19855	SPACER
28	2	193582	SPACER
27	1	412182	BRACKET, ASS'Y, TOP HINGE, R.S.
26	1	440702	WATER FEED ASSY, REV BEND GEN
25	1	102083	HINGE, LOWER RIGHT HINGE
24	4	48158	LEO, BULLET 4"
23	1	104873	DRAIN ASSEMBLY, MANIFOLD, STEAM COIL
22	4	14888	NUT, HEX JAM 3/4-10 ZINC PLTD
21	1	44188	BOX, ELECTRIC, STEAM COIL W/COMPONENTS
20	1	101673	BRACE, KETTLE SUPPORT
19	1	53111	CHANNEL, KETTLE SUPPORT
18	1	42813	PIPING, GENERATOR DRAIN, ST. CO. MANUAL
17	1	105245	CONNECTOR, GREENFIELD, 3/8" X 90°
16	1	42809	PIPING, STEAM SUPPLY, STEAM COIL
15	1	42809	PIPING, STEAM SUPPLY, ASSM, STEAM COIL
14	1	82530	BRACKET, PIPE, REV BEND GEN.
13	1	03197	CLAMP, 1 HOLE, RIGID, 3/4"
12	1	428123	PIPING, STEAM OUTLET, REV BEND
11	1	42810	PIPING, CONDENSATE DRAIN, STEAM COIL
10	3	105243	CONNECTOR, GREENFIELD 3/8 STRAIGHT
9	13	19288	SCREW, HEX HEAD, 1/4-20 X 3/4
8	29	23118	WASHER, FLAT 1/4 X 5/8 X .085
7	18	23105	WASHER, LOCK 1/4 KATLINK STYLE
6	17	14818	NUT, HEX 1/4-20 S/S
5	1	92305	BOX, PROBE COVER, 2 PROBES, A.C.S.
4	1	32131	VALVE, SAFETY, 3/4" 16 PSI, BRONZE
3	2	06259	ELBOW, STREET, 3/4", 90° BLACK
2	1	408211MP	GENERATOR ASM, STEAM COIL W/REF PARTS
1	-	411271	BASE, WELDMENT, 1050MM, A.C.S.
1	-	41127	BASE WELDMENT, 1050MM, S/S

REF-REF

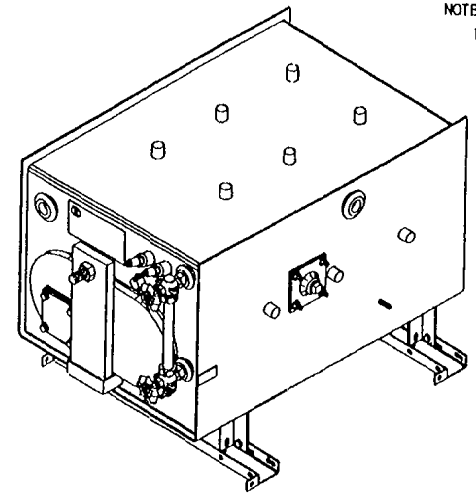
SEE DETAIL "A"

6" BULLET LEO SHOWN (STANDARD)

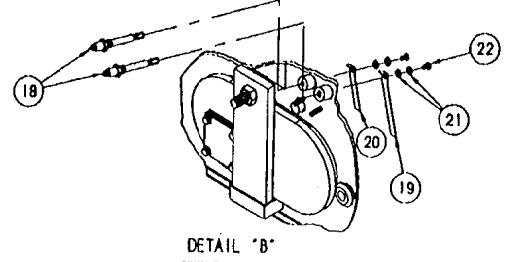
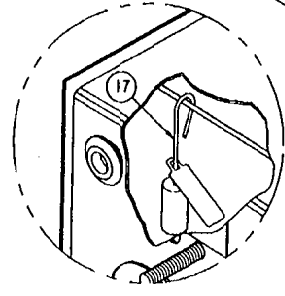
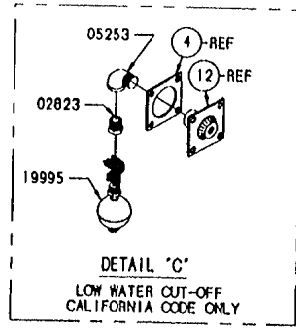
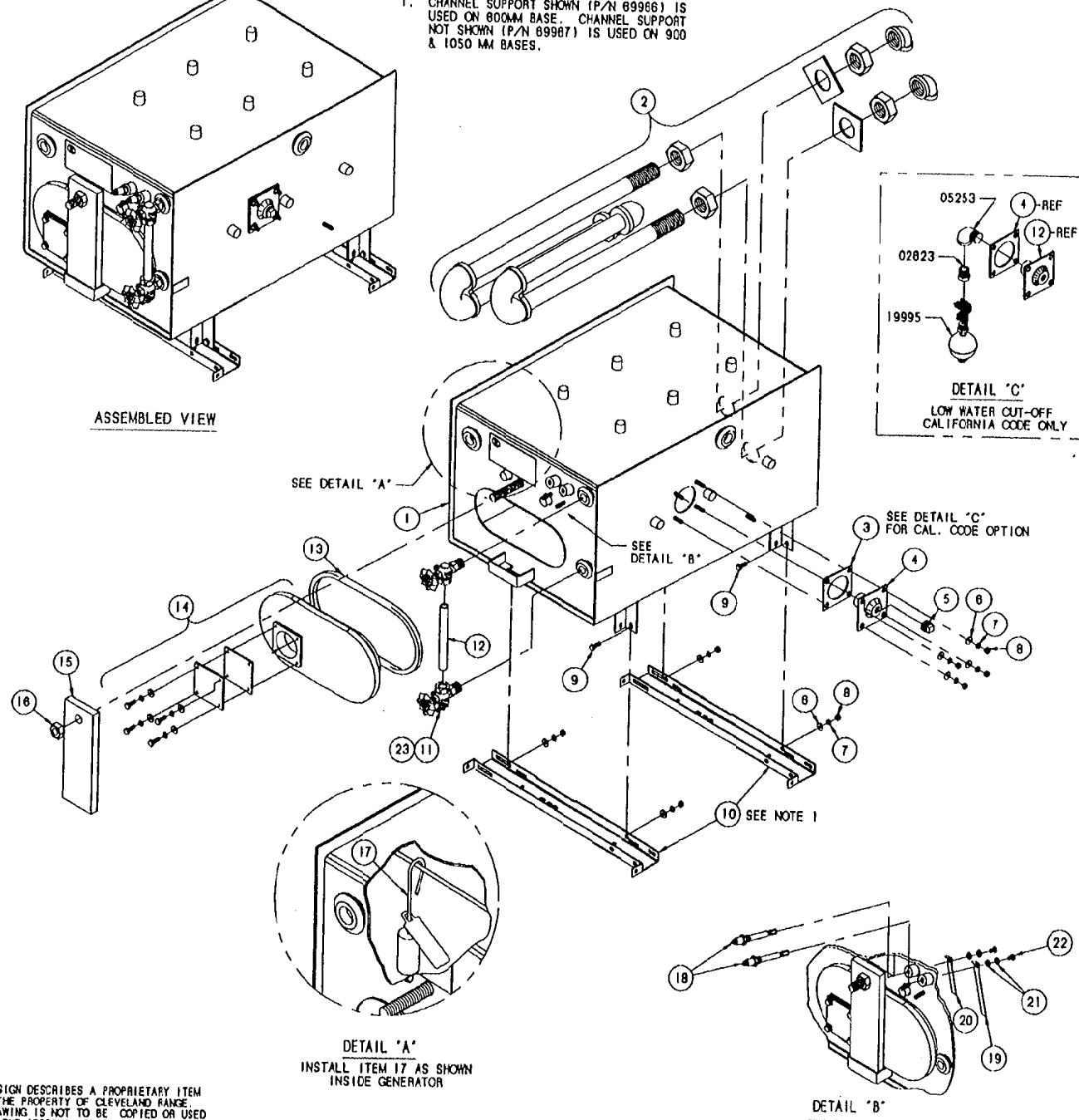
NEXT ASS'Y: DHF0019

ITEM	QTY	PART NO.	DESCRIPTION
<b>CLEVELAND RANGE INC.</b>			
1939 East 179th St., Cleveland, Ohio 44110-2574			
DECIMAL & N/A	SCALE 1/8"=1"	DRAWN BY E. GRIVEAS	APPROVED BY M.T.
ANGULAR & N/A	TITLE BASE ASSEMBLY, STF 1050 MM		
CK	DATE 10-27-93	DRAWING NO. C - LMH0013	REV. 8

NOTES:  
 1. CHANNEL SUPPORT SHOWN (P/N 89986) IS USED ON 800MM BASE. CHANNEL SUPPORT NOT SHOWN (P/N 89987) IS USED ON 900 & 1050 MM BASES.



ASSEMBLED VIEW

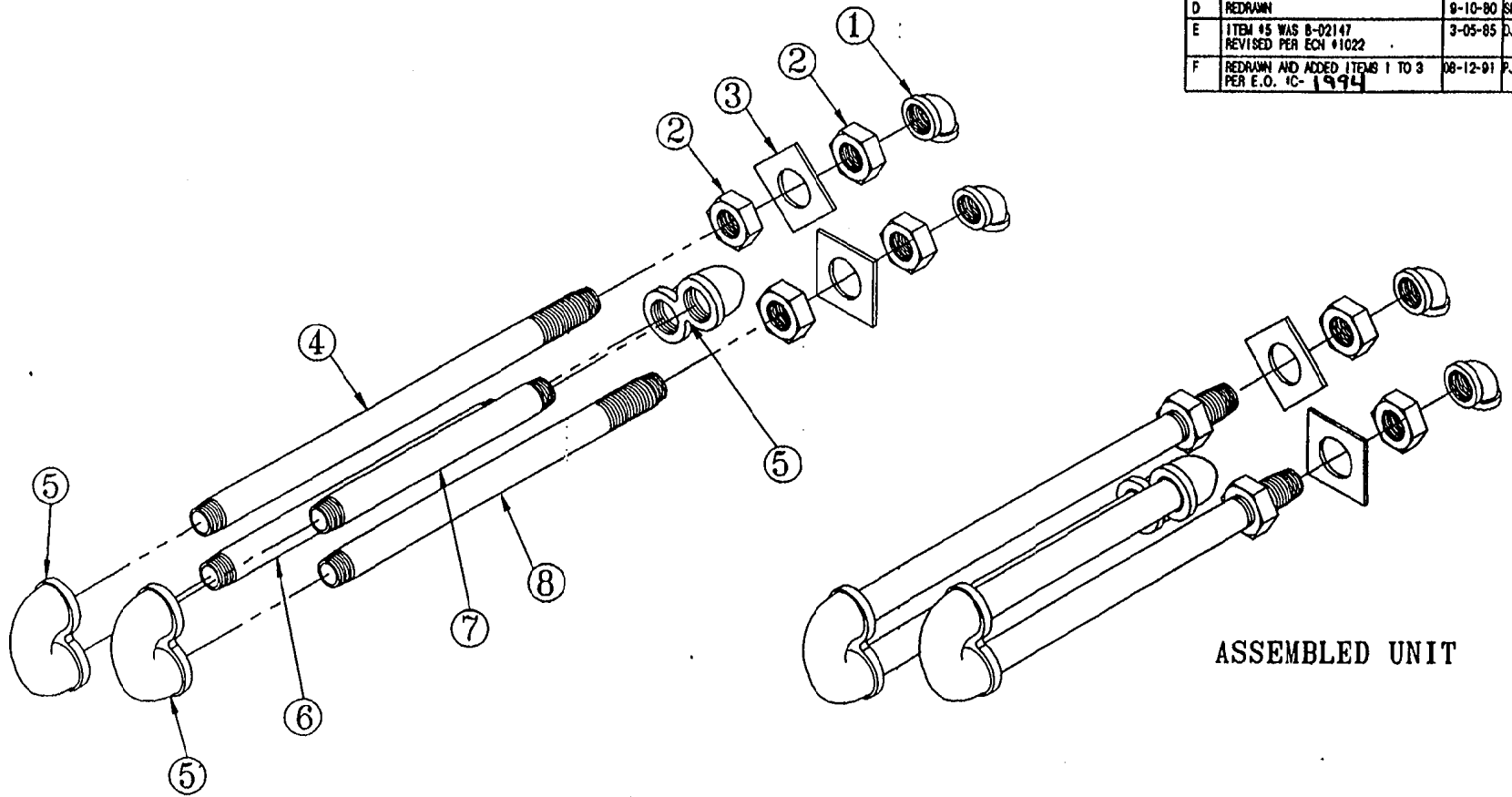


NO.	QTY.	PART NO.	DESCRIPTION
23	A/R	00934	SEALANT, RECTORSEAL
22	2	19218	SCREW, HEX HEAD, 1/4-20 X 3/8 S/S
21	4	23151	WASHER, INTERNAL TOOTH LOCK, 1/4
20	1	82452	EXTENSION, WATER PROBE 1/2 X 3-1/8
19	1	82453	EXTENSION, WATER PROBE, 1/2 X 4-5/8
18	2	18871	PROBE WARRICK, 4-5/16" LG
17	1	43895	ANODE ASSM CORROSION PREVENTATIVE
16	1	100284	NUT, HEAVY HEX 5/8-11 UNC SA-194
15	1	52517	BAR, HAND HOLE, 5/8" X 3" X 9-1/8"
14	1	40425	PLATE ASSEMBLY, HAND HOLE
13	1	07116	GASKET, HAND HOLE
12	1	07302	GAUGE, WATER, 5/8 X 6, CLASS
11	1	07176	GAUGE, FITTINGS, WATER, 1/2"
10	-	89986	SUPPORT, GEN. MTG. CHANNEL 800MM S/S
	-	89987	SUPPORT, GEN MTG CHANNEL 900/1050MM
9	4	19288	SCREW, HEX HEAD, 1/4-20 X 3/4
8	8	14618	NUT, HEX, 1/4 - 20 S/S
7	8	23105	WASHER, SPLIT LOCK, 1/4 S/S
6	8	23118	WASHER, FLAT, 1/4 S/S
5	1	16802	PLUG, SQUARE 1/2 PIPE, BLACK
4	1	41943	PLATE, MOUNTING
3	1	07128	GASKET, HEATER
2	1	40401	EXCHANGER, HEAT ASSY, STEAM COIL
1	1	408211	GENERATOR WELDMENT, STEAM COIL

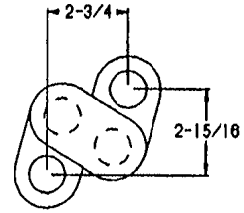
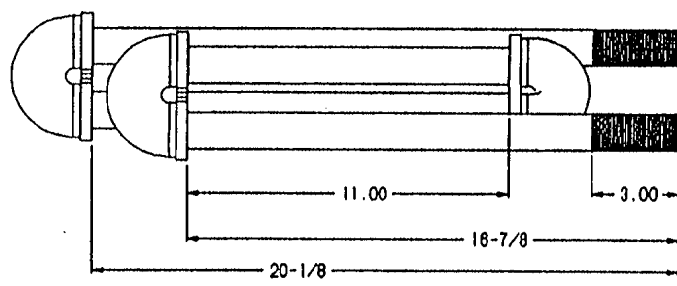
TOLERANCES (EXCEPT AS NOTED)		CLEVELAND RANGE INC. 1333 East 179th St. Cleveland, Ohio 44110-2574	
DECIMAL ± N/A	SCALE 3/16	DRAWN BY GRIVEAS	APPROVED BY M.T.
ANGULAR ± N/A	TITLE STEAM COIL GENERATOR ASSEMBLY W/ REFERENCE PARTS		
CK	DATE 10-18-93	DRAWING NO. C-408211WP	REV. -

THIS DESIGN DESCRIBES A PROPRIETARY ITEM AND IS THE PROPERTY OF CLEVELAND RANGE. THIS DRAWING IS NOT TO BE COPIED OR USED WITHOUT THE APPROVAL OF CLEVELAND RANGE.

LET.	REVISIONS	DATE	BY
D	REDRAWN	9-10-80	SPS
E	ITEM #5 WAS 8-02147 REVISED PER E.O. #1022	3-05-85	DJP
F	REDRAWN AND ADDED ITEMS 1 TO 3 PER E.O. 1C-1994	08-12-91	PJD



ASSEMBLED UNIT



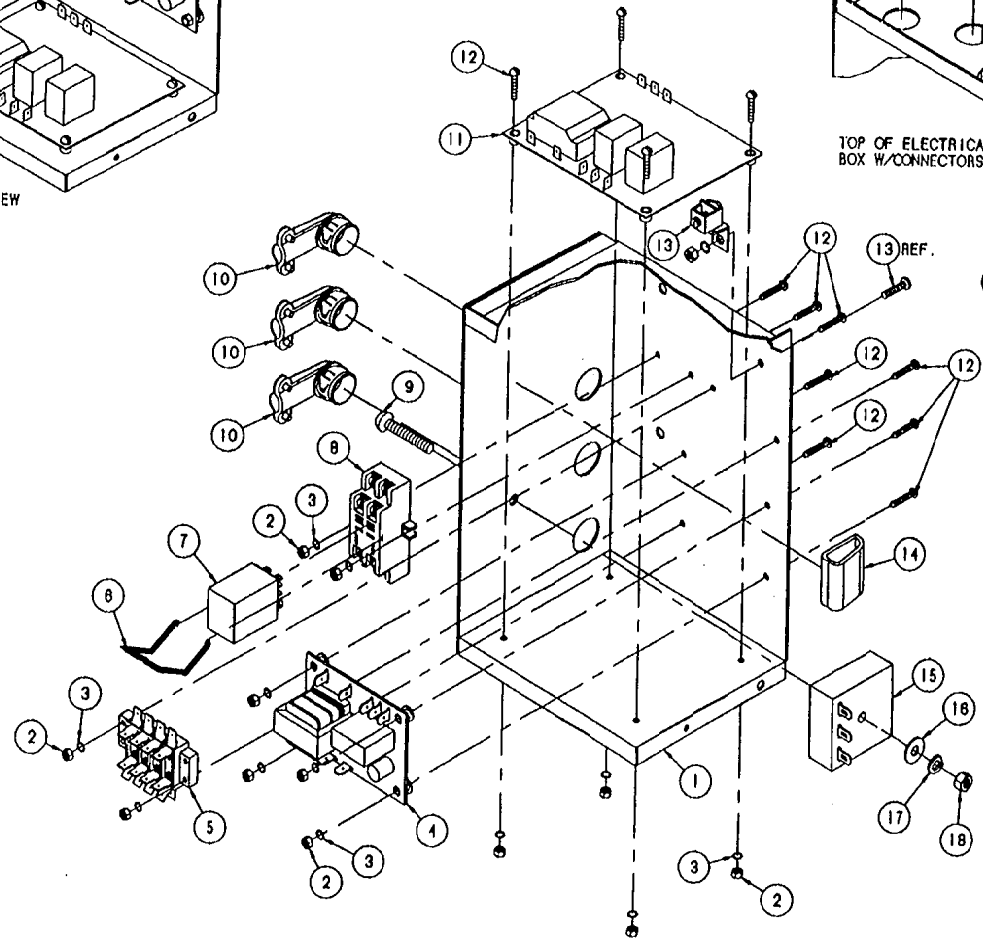
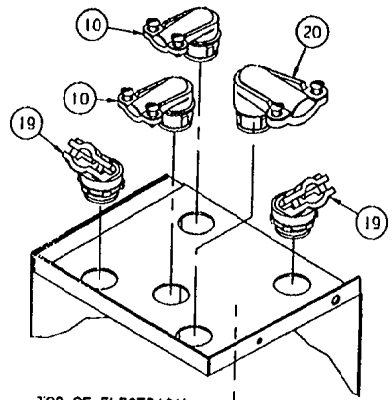
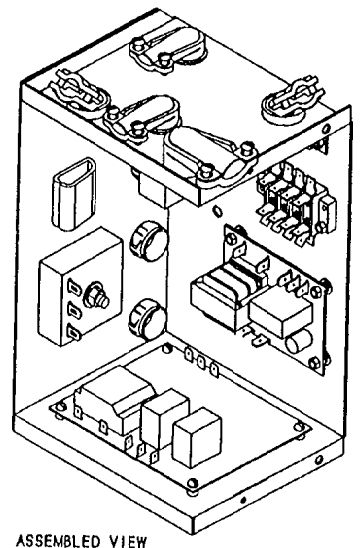
ITEM	QTY.	PART NO.	DESCRIPTION
8	1	18475	PIPE, 1-1/4 X 17.375", BRASS
7	1	18478	PIPE, 1-1/4 X 12.00", BRASS
6	1	18474	PIPE, 1-1/4 X 15.250", BRASS
5	3	02150	FITTING, RETURN BEND 1-1/4 NPT UED. PTH. 180°
4	1	18473	PIPE, 1-1/4 X 20.825", BRASS
3	2	23135	WASHER, FLAT, 0 GA, 3" X 3" 8/32
2	4	14812	NUT, LOCK; LGT. PTH., 1-1/4 PIPE, BRASS
1	2	05270	ELBOW, 90° 1-1/4 X 3/4, BLACK

THIS DESIGN DESCRIBES A PROPRIETARY ITEM AND IS THE PROPERTY OF CLEVELAND RANGE. THIS DRAWING IS NOT TO BE COPIED OR USED WITHOUT THE APPROVAL OF CLEVELAND RANGE.

TOLERANCES UNLESS OTHERWISE SPECIFIED			
DECIMAL	SCALE	DRAWN BY	APPROVED BY
± N/A	N/A	A. B. K.	-
MILLIMETER	TITLE	HEAT EXCHANGER ASSEMBLY, STEAM COIL, SMALL GENERATOR	
± N/A			
DATE	DRAWING NO.	REV.	
06-04-81	C-40401	F	



NOTES:  
 1) REFER TO DWG. FJE0003 FOR CAL CODE  
 W/INTERMITTENT BLOWDOWN FOR LARGE  
 STEAM COIL GENERATOR.



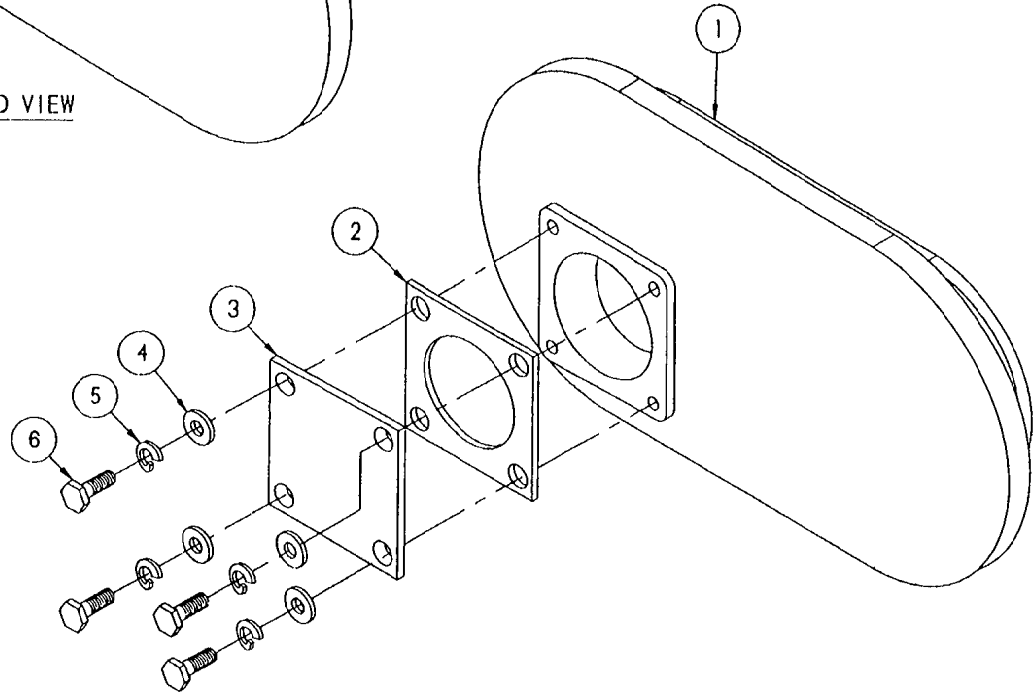
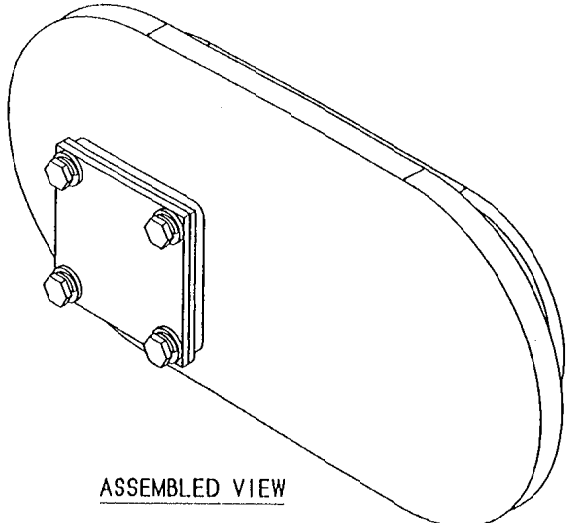
ITEM	QTY.	PART NO.	DESCRIPTION
20	1	105247	CONNECTOR, GREENFIELD, 1/2" X 90°
19	2	105244	CONNECTOR, GREENFIELD, 3/8" X 45°
18	1	14518	NUT, HEX, 1/4-20, S/S, FULL FINISHED
17	1	23105	WASHER, LOCK, MED PAT, 1/4" KATLINK STYLE, S/S
16	1	23116	WASHER, FLAT, 1/4: 10 X 5/8" OD X .065 THK
15	1	20478	TIMER, SOLID STATE INTERVAL 3 MINUTE
14	2	23432	CLIP, MOUNTING, WIRE/CALE, 1.25 X 1.50
13	1	12330	LUG, SOLDERLESS GROUND FOR 10-14 GA. WIRE
12	12	19183	SCREW, ROUND HEAD SLOTTED, 6-32 X .75 ZINC PLTD
11	1	23198	CONTROL, WATER LEVEL
10	5	105245	CONNECTOR, GREENFIELD, 3/8" X 90°
9	1	19265	SCREW, ROUND HEAD, 1/4-20 X 1-1/2, S/S
8	1	03525	SOCKET, RELAY
7	1	03524	RELAY, 120V, 50/60 HZ, AC, DPDT
6	1	105044	CLIP, WIRE, RELAY, (03524 - 03525)
5	1	44104	TERMINAL BLOCK ASM. - 4 POLE GAS UNITS
4	1	03528	BOARD CONTROL, CUT-OFF LOW WATER
3	12	23111	WASHER, LOCK, INTERNAL TOOTH, #8, ZINC PLTD
2	12	14874	NUT, HEX, 6-32, ZINC PLTD
1	1	409391	BOX, WELDMENT, ELECT, CAL CODE LG STM COIL GEN

TOLERANCES (EXCEPT AS NOTED)			
<b>CLEVELAND RANGE INC.</b> 1333 East 170th St. Cleveland, Ohio 44110-2574			
DECIMAL ± N/A	SCALE 1/2=1	DRAWN BY E. GRIVEAS	APPROVED BY
ANGULAR ± N/A	TITLE BOX, ELECTRIC, STEAM COIL CAL. CODE, LARGE STEAM COIL		
CK	DATE 02-28-94	DRAWING NO. C - FJE0002	REV. -

OPTION FOR NEXT ASS'Y: FJE0001

THIS DESIGN DESCRIBES A PROPRIETARY ITEM  
 AND IS THE PROPERTY OF CLEVELAND RANGE  
 THIS DRAWING IS NOT TO BE COPIED OR USED  
 WITHOUT THE APPROVAL OF CLEVELAND RANGE.

LET.	REVISIONS	DATE	BY
------	-----------	------	----



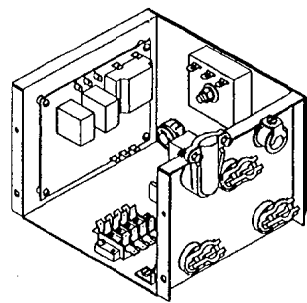
ITEM	QTY.	PART NO.	DESCRIPTION
6	4	100448	SCREW, HEX HEAD, 1/4-20 UNC-2A X 3/4
5	4	23105	WASHER, LOCK, MEDIUM PATTERN, 1/4" KATL. INK
4	4	23118	WASHER, FLAT, 1/4 X 5/8 OD. X .065 THK
3	1	18548	PLATE, BLOCK-OFF, 3.125 X 3.125
2	1	07128	GASKET
1	1	16545	PLATE, HAND HOLE

TOLERANCES (EXCEPT AS NOTED)		<b>CLEVELAND RANGE INC.</b> 1333 East 179th St. Cleveland, Ohio 44110-2574	
DECIMAL ± N/A	SCALE 1/2=1	DRAWN BY E. GRIVEAS	APPROVED BY NLT
ANGULAR ± N/A	TITLE PLATE, HAND HOLD, W/COVER FOR STEAM-COIL GENERATOR		
CK	DATE 11-08-93	DRAWING NO. B - 425	REV. -

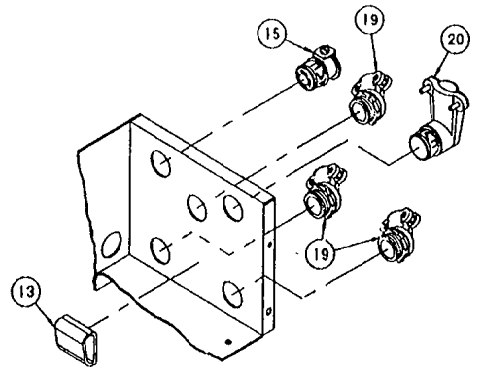
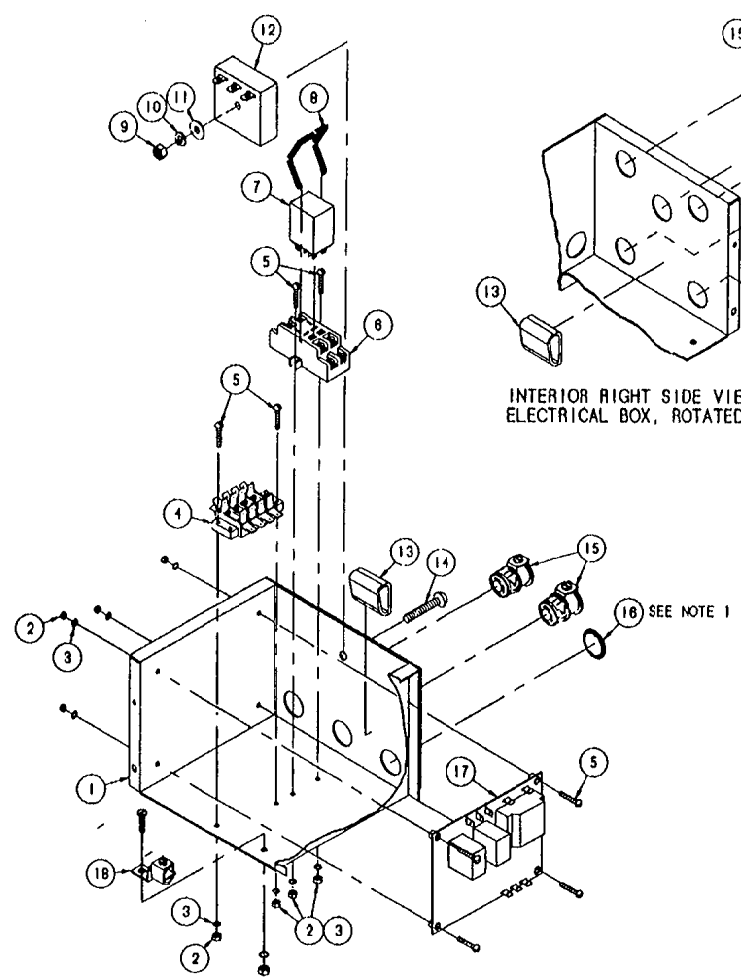
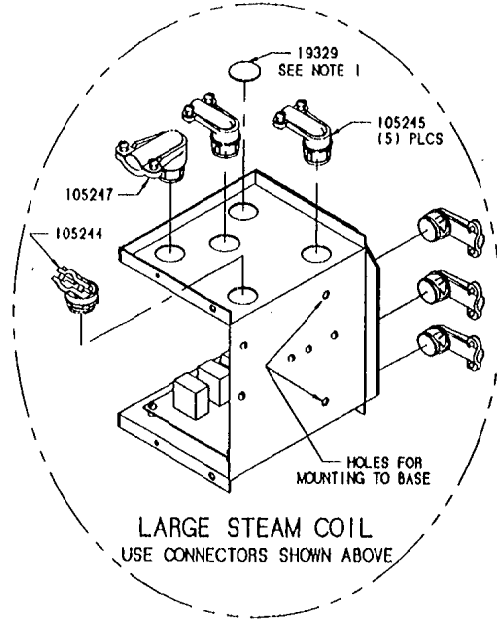
THIS DESIGN DESCRIBES A PROPRIETARY ITEM AND IS THE PROPERTY OF CLEVELAND RANGE. THIS DRAWING IS NOT TO BE COPIED OR USED WITHOUT THE APPROVAL OF CLEVELAND RANGE.

NOTES:

1. REMOVE P/N 19329 WHEN CAL. CODE / LWCO IS USED (SEE B.O.M. FOR APPROPRIATE CONNECTOR). FOR CAL. CODE ELECTRIC BOX ASS'Y ON LARGE STEAM COIL GENERATOR REFER TO DWG. FJEO002.
2. REFER TO DWG. 441681 FOR ELECTRIC BOX W/INTERMITTENT BLOWDOWN.



ASSEMBLED VIEW



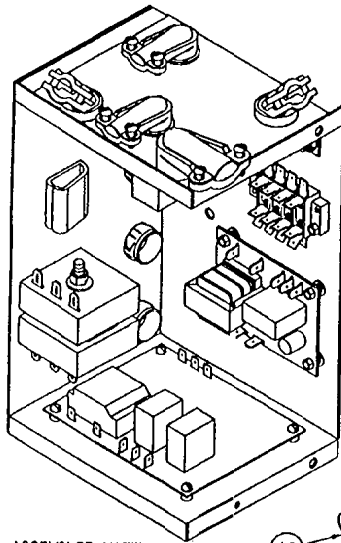
INTERIOR RIGHT SIDE VIEW OF ELECTRICAL BOX, ROTATED 90°

ITEM	QTY.	PART NO.	DESCRIPTION
20	1	105247	CONNECTOR, GREENFIELD, 1/2" X 90°
19	3	105244	CONNECTOR, GREENFIELD, 3/8" X 45°
18	1	12330	PLUG, SOLDERLESS GROUND FOR 10-14 GA. WIRE
17	1	23198	CONTROL, WATER LEVEL
16	1	19329	PLUG, SWAP-IN, 1/2" FOR 7/8" HOLE
15	3	105243	CONNECTOR, GREENFIELD, 3/8" STRAIGHT
14	1	19285	SCREW, ROUND HEAD, 1/4-20 X 1-1/2, S/S
13	2	23492	CLIP, MOUNTING, WIRE/CABLE, 1.25 X 1.50
12	1	20478	TIMER, SOLID STATE INTERVAL 3 MINUTE
11	1	23110	WASHER, FLAT, 1/4: ID X 5/8" OD X .065 THK
10	1	23105	WASHER, LOCK, MED PAT, 1/4" KATLINK STYLE, S/S
9	1	14818	NUT, HEX, 1/4-20, S/S, FULL FINISHED
8	1	105044	CLIP, WIRE, RELAY, 103524 - 03525
7	1	03524	RELAY, 120V, 50/60 HZ, AC, DPDT
6	1	03525	SOCKET, RELAY
5	8	19183	SCREW, ROUND HEAD SLOTTED, 8-32 X .75 ZINC PLTD
4	1	44184	TERMINAL BLOCK ASM. - 4 POLE GAS UNITS
3	8	23111	WASHER, LOCK, INTERNAL TOOTH, #8, ZINC PLTD
2	8	14874	NUT, HEX, 8-32, ZINC PLTD
1	1	40939	BOX, WELDMENT, ELECTRIC, STEAM COIL GENERATOR

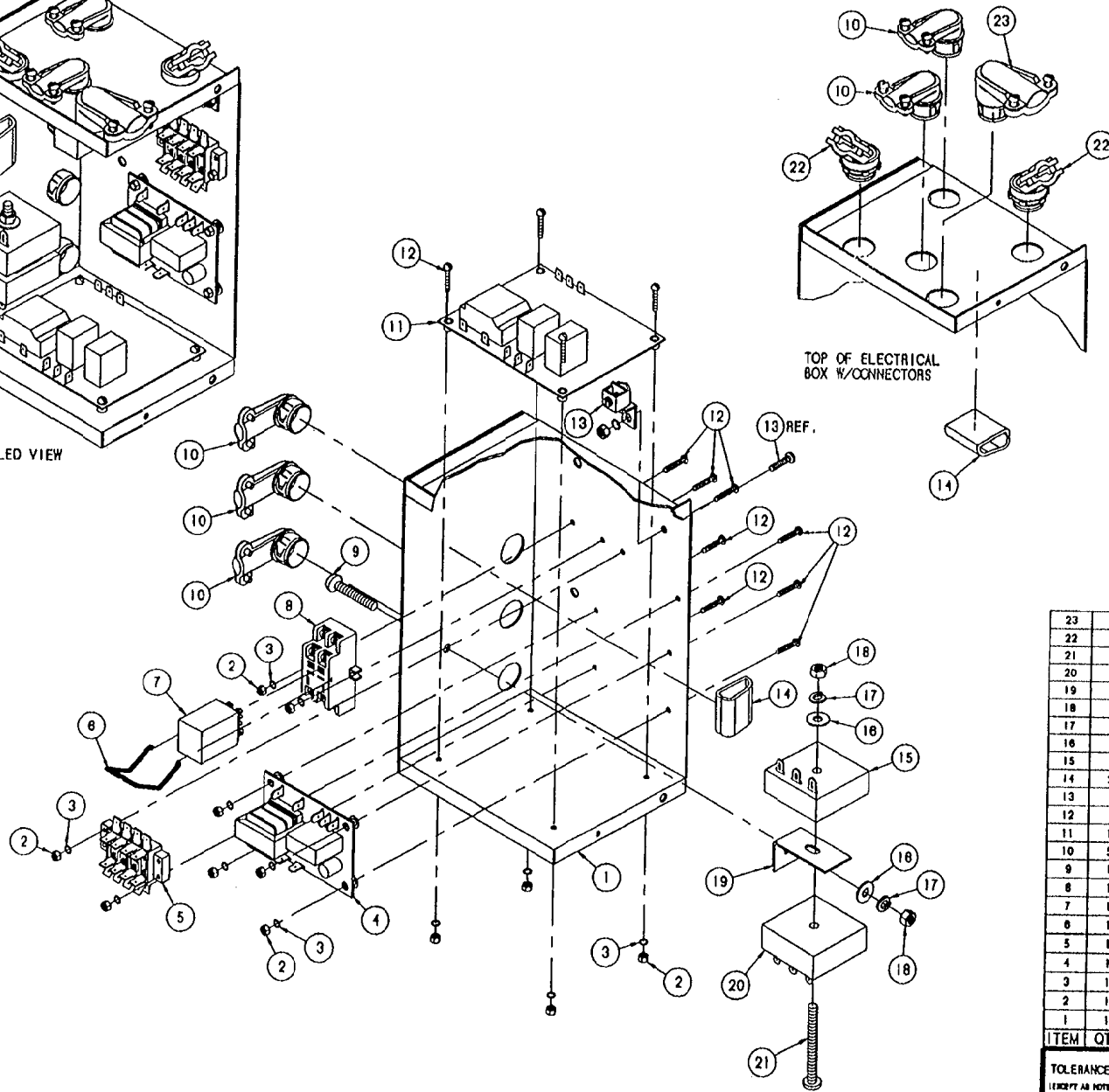
<p>TOLERANCES (EXCEPT AS NOTED)</p> <p style="text-align: right;"><b>CLEVELAND RANGE INC.</b> 1333 East 179th St. Cleveland, Ohio 44110-2574</p>			
DECIMAL ± N/A	SCALE 3/8=1	DRAWN BY E. GRIVEAS	APPROVED BY
ANGULAR ± N/A	TITLE BOX, ELECTRIC, ASSEMBLY STEAM COIL		
CK	DATE 10-20-93	DRAWING NO. C - 44166	REV. -

NEXT ASSY: DHD0011  
DHE0012  
DHF0013  
FJEO031

THIS DESIGN DESCRIBES A PROPRIETARY ITEM AND IS THE PROPERTY OF CLEVELAND RANGE. THIS DRAWING IS NOT TO BE COPIED OR USED WITHOUT THE APPROVAL OF CLEVELAND RANGE.



ASSEMBLED VIEW



TOP OF ELECTRICAL BOX W/CONNECTORS

ITEM	QTY.	PART NO.	DESCRIPTION
23	1	105217	CONNECTOR, GREENFIELD, 1/2" X 90°
22	2	105214	CONNECTOR, GREENFIELD, 3/8" X 45°
21	1	106118	BOLT, 1/4-20 X 2-1/2" ZINC PLTD, INTRMT. TIMER
20	1	104716	TIMER, RECGLING, GENERATOR W/BLOWDOWN
19	1	105955	BRACKET, CTRL MOUNT
18	1	14618	NUT, HEX, 1/4-20, S/S, FULL FINISHED
17	1	23105	WASHER, LOCK, MED PAT, 1/4" KATLINK STYLE, S/S
16	1	23116	WASHER, FLAT, 1/4: 10 X 3/8" OD X .065 THK
15	1	20476	TIMER, SOLID STATE INTERVAL 3 MINUTE
14	2	23432	CLIP, MOUNTING, WIRE/CABLE, 1.25 X 1.50
13	1	12330	LUG, SOLDERLESS GROUND FOR 10-14 GA. WIRE
12	12	19163	SCREW, ROUND HEAD SLOTTED, 8-32 X .75 ZINC PLTD
11	1	23198	CONTROL, WATER LEVEL
10	3	105245	CONNECTOR, GREENFIELD, 3/8" X 90°
9	1	19285	SCREW, ROUND HEAD, 1/4-20 X 1-1/2, S/S
8	1	03525	SOCKET, RELAY
7	1	03524	RELAY, 120V, 50/60 HZ, AC, DPDT
6	1	105044	CLIP, WIRE, RELAY, (03524 - 03525)
5	1	44184	TERMINAL BLOCK ASM, - 4 POLE GAS UNITS
4	1	03526	BOARD CONTROL, CUT-OFF LOW WATER
3	12	23111	WASHER, LOCK, INTERNAL TOOTH, #8, ZINC PLTD
2	12	14674	NUT, HEX, 8-32, ZINC PLTD
1	1	409391	BOX, WELDMENT, ELECT, CAL CODE LG STM COIL GEN

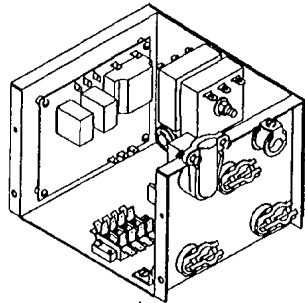
THIS DESIGN DESCRIBES THE PROPER AND IS THE PROPERTY OF CLEVELAND RANGE. THIS DRAWING IS NOT TO BE COPIED OR USED WITHOUT THE APPROVAL OF CLEVELAND RANGE.

PROPRIETARY ITEM  
LEVELAND RANGE.  
BE COPIED OR USED  
WITHOUT THE APPROVAL OF CLEVELAND RANGE.

OPTION FOR NEXT ASSY: FJL0001

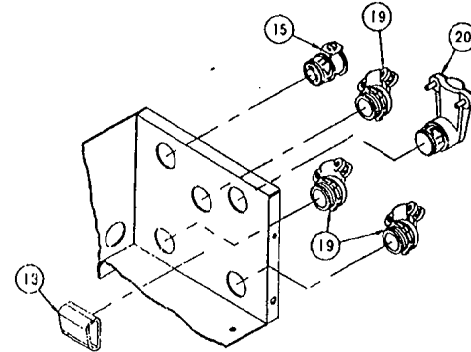
TOLERANCES (EXCEPT AS NOTED)			
DECIMAL	SCALE	DRAWN BY	APPROVED BY
± N/A	1/2=1	E. GRIVEAS	
ANGULAR	TITLE		
± N/A	BOX, ELECTRIC, ASSEMBLY CAL. CODE W/INTER. BLOWDOWN, LARI. .AM COIL		
DATE	DRAWING NO.	REV.	

CLEVELAND RANGE INC.  
1333 East 179th St. Cleveland, Ohio 44110-2574

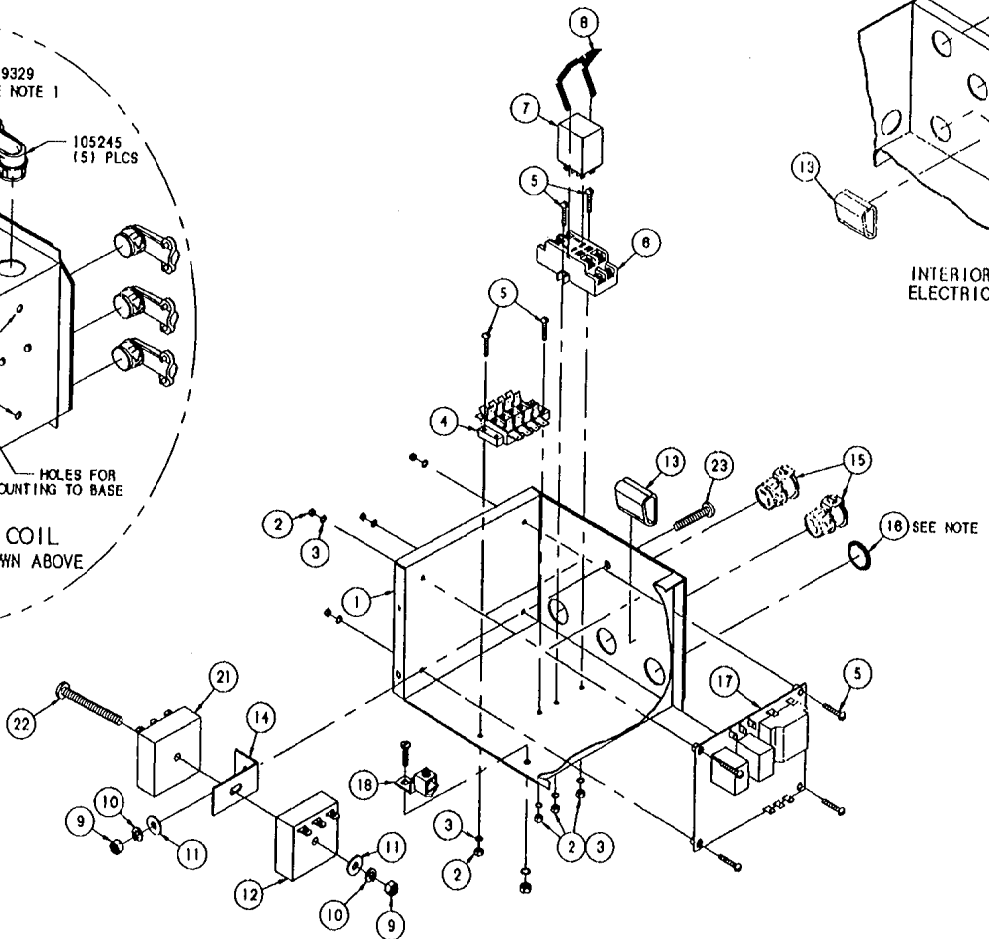
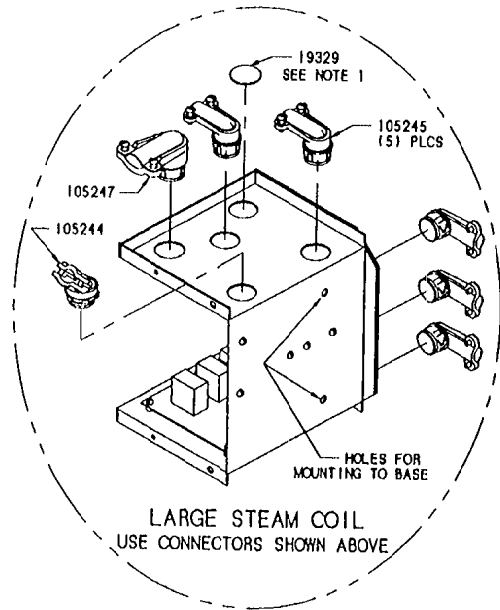


ASSEMBLED VIEW

NOTES:  
 1. REMOVE P/N 19329 WHEN CAL. CODE / LWCO IS USED (SEE B.O.M. FOR APPROPRIATE CONNECTOR). FOR CAL. CODE ELECTRIC BOX ASS'Y ON LARGE STEAM COIL GENERATOR REFER TO DWG. FJE0002.



INTERIOR RIGHT SIDE VIEW OF ELECTRICAL BOX, ROTATED 90°



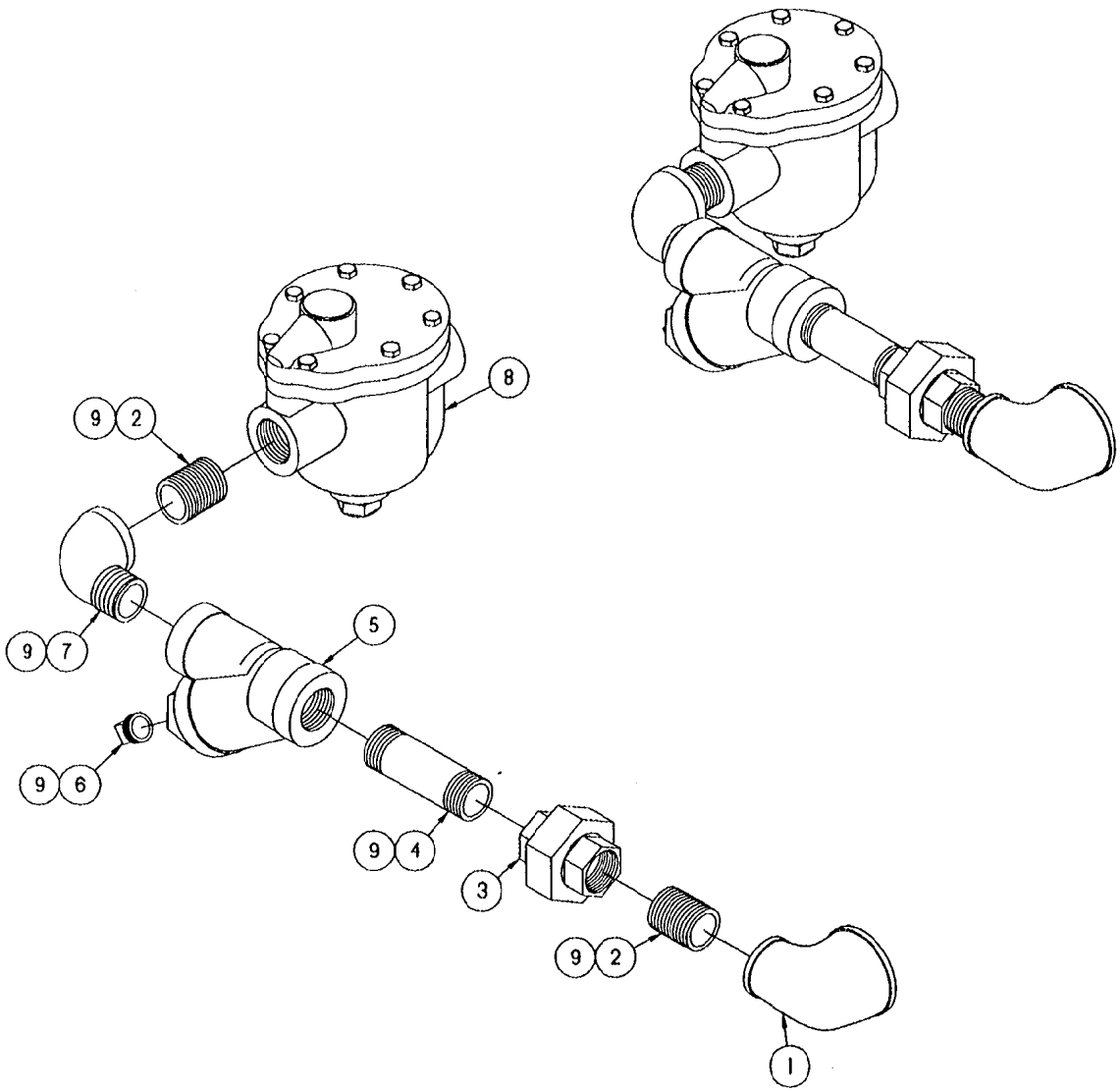
ITEM	QTY.	PART NO.	DESCRIPTION
23	1	19285	SCREW, ROUND HEAD, 1/4-20 X 1-1/2, S/S
22	1	100118	BOLT, 1/4-20 X 2-1/2" ZINC PLTD, INTFRM. TIMER
21	1	104718	TIMER, RECYCLING, GENERATOR W/BLOWDOWN
20	1	105247	CONNECTOR, GREENFIELD, 1/2" X 90°
19	3	105244	CONNECTOR, GREENFIELD, 3/8" X 45°
18	1	12330	LUG, SOLDERLESS GROUND FOR 10-14 GA. WIRE
17	1	23198	CONTROL, WATER LEVEL
16	1	19329	PLUG, SNAP-IN, 1/2" FOR 7/8" HOLE
15	3	105243	CONNECTOR, GREENFIELD, 3/8" STRAIGHT
14	1	105955	BRACKET, CTRL MOUNT
13	2	23432	CLIP, MOUNTING, WIRE/CABLE, 1.25 X 1.50
12	1	20478	TIMER, SOLID STATE INTERVAL 3 MINUTE
11	2	23118	WASHER, FLAT, 1/4: 10 X 5/8" OD X .085 THK
10	2	23105	WASHER, LOCK, MED PAT, 1/4" KATLINK STYLE, S/S
9	2	14818	NUT, HEX, 1/4-20, S/S, FULL FINISHED
8	1	105044	CLIP, WIRE, RELAY, 103524 - 03525
7	1	03524	RELAY, 120V, 50/60 HZ, AC, DPDT
6	1	03525	SOCKET, RELAY
5	8	19183	SCREW, ROUND HEAD SLOTTED, 8-32 X .75 ZINC PLTD
4	1	44184	TERMINAL BLOCK ASM. - 4 POLE GAS UNITS
3	8	23111	WASHER, LOCK, INTERNAL TOOTH, 1/8, ZINC PLTD
2	8	14874	NUT, HEX, 8-32, ZINC PLTD
1	1	40939	BOX, WELDMENT, ELECTRIC, STEAM COIL GENERATOR

THIS DESIGN DESCRIBES A PROPRIETARY ITEM AND IS THE PROPERTY OF CLEVELAND RANGE. THIS DRAWING IS NOT TO BE COPIED OR USED WITHOUT THE APPROVAL OF CLEVELAND RANGE.

NEXT ASSY: DHD0011  
 DHE0012  
 DPE0013  
 FJE0001

TOLERANCES (UNLESS AS NOTED)		CLEVELAND RANGE INC. 1333 East 179th St. Cleveland, Ohio 44110-2574	
DECIMAL ± N/A	SCALE 3/8=1	DRAWN BY E. GRIVEAS	APPROVED BY
ANGULAR ± N/A	TITLE BOX, ELECTRIC, STEAM COIL W/INTERMITTENT BLOWDOWN		
CK	DATE 11-18-93	DRAWING NO. C - 441661	REV. -

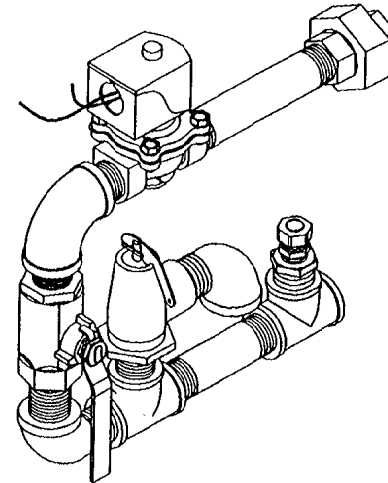
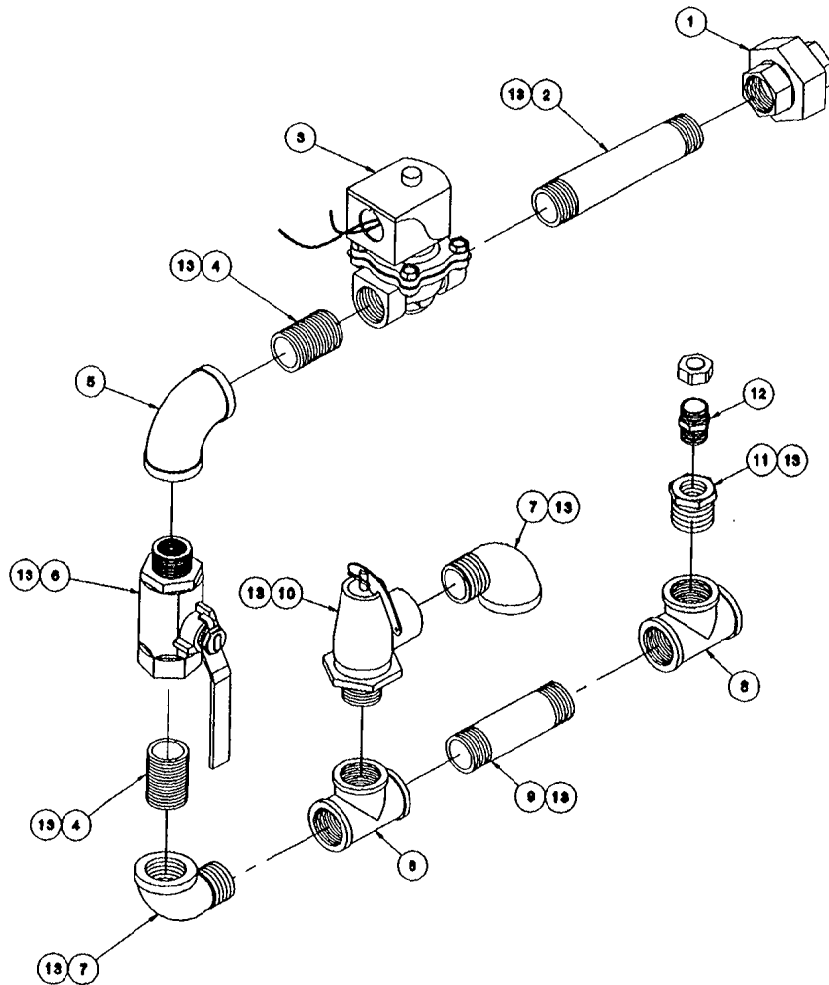
LET.	REVISIONS	DATE	BY
A	REMOVED 14359 ADDED 14343 REARRANGED ASSEMBLY	5-19-92	SM



ITEM	QTY.	PART NO.	DESCRIPTION
9	A/R	00934	SEALANT, RECTORSEAL
8	1	20555	TRAP, BUCKET, 60#, 3/4, 80#
7	1	05259	ELBOW, STREET, 90°, 3/4, BLACK
6	1	16602	PLUG, SQ HD, 1/2", CORED
5	1	19872	STRAINER, "Y", 3/4
4	1	14347	NIPPLE, 3/4 x 3", BLACK
3	1	21305	UNION, 3/4, BLACK
2	2	14343	NIPPLE, 3/4 x CLOSE, BLACK
1	1	05270	ELBOW, 90°, 1-1/4 x 3/4, BLACK

TOLERANCES (EXCEPT AS NOTED)		CLEVELAND RANGE INC. 1333 East 179th St. Cleveland, Ohio 44110-2574	
DECIMAL ± N/A	SCALE 3/8=1	DRAWN BY S. MILEWSKI	APPROVED BY
ANGULAR ± N/A	TITLE PIPING ASSEMBLY RETURN STEAM MANIFOLD LARGE STEAM COIL GENERATOR		
CK	DATE 05-13-92	DRAWING NO. B - 01703	REV. A

THIS DESIGN DESCRIBES A PROPRIETARY ITEM AND IS THE PROPERTY OF CLEVELAND RANGE. THIS DRAWING IS NOT TO BE COPIED OR USED WITHOUT THE APPROVAL OF CLEVELAND RANGE.

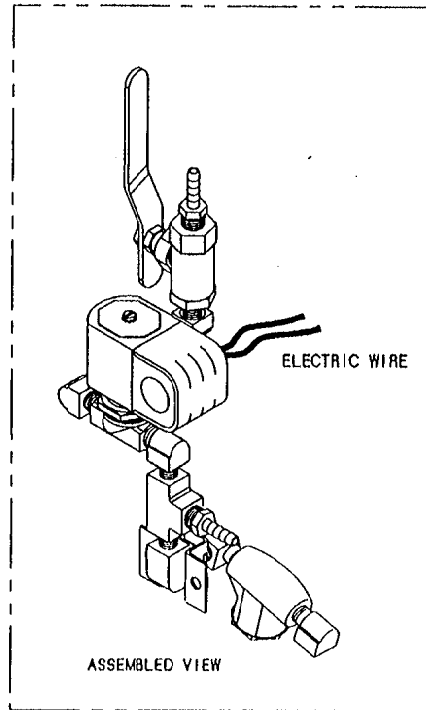
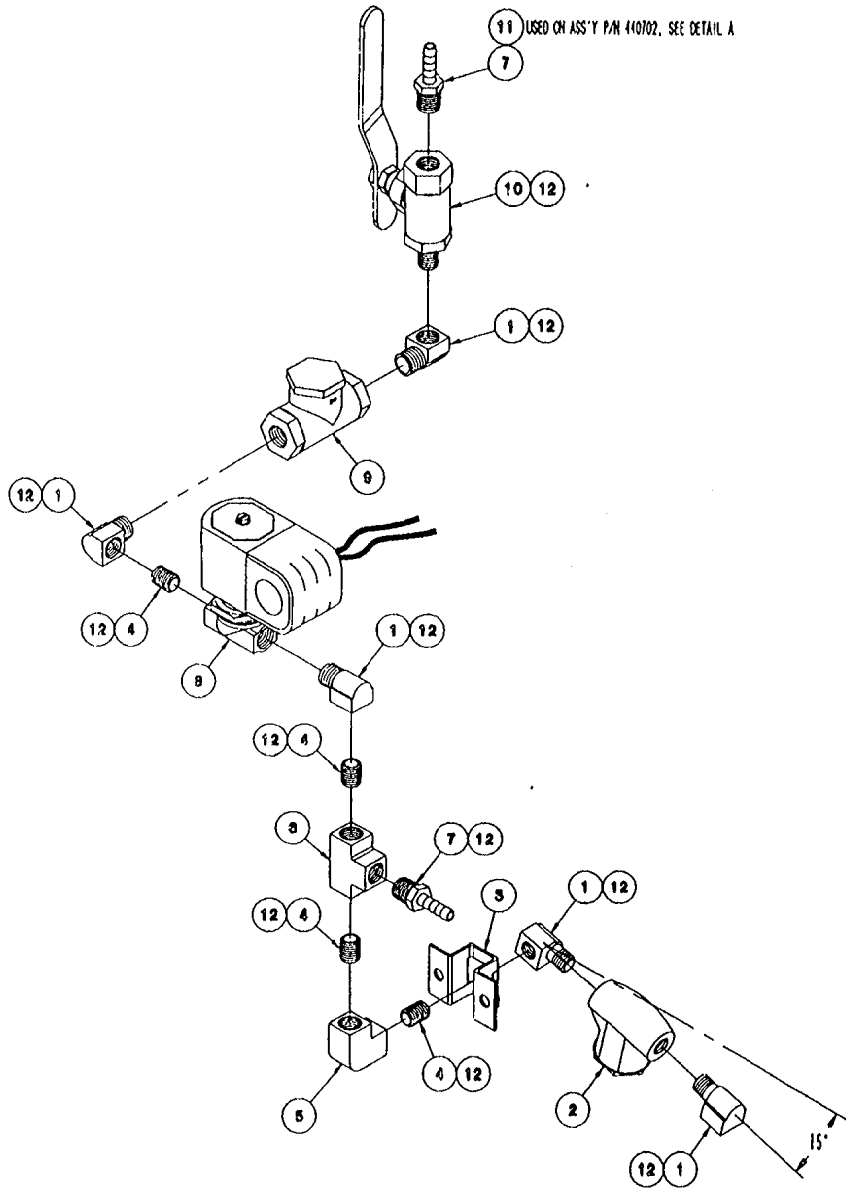


LET	REVISIONS	DATE	BY
C	P/N 14354 WAS 14356, P/N 14349 WAS 14351. P/N 02584 WAS 02583. P/N 06199 WAS 06218. P/N 03382 WAS ADDED - REDRAWN ON COMPUTER SEE E.O. #C-1789	09-20-90	GS
D	P/N 05259 WAS QTY. OF 1 P/N 00934 WAS ADDED P/N 03382 WAS OMITTED DWG. REDRAWN IN 3D CADKEY SEE E.O. #C-2106	01-29-92	PJD
E	P/N 03277 VALVE ROTATED 90°	11-16-93	PJD

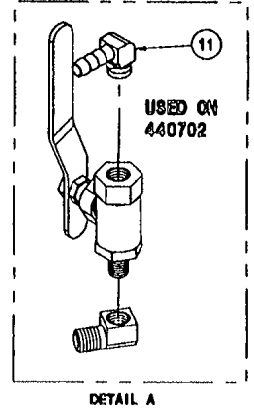
13	A/R	00934	SEALANT, RECTORSEAL
12	I	06199	FITTING, COMP, 3/8 x 3/8, STR
11	I	02584	BUSHING, HEX, 3/4 x 3/8, BLK
10	I	100075	VALVE, SAFETY RELIEF, 50 PSI
9	I	14349	NIPPLE, 3/4 X 3.500, BLACK
8	2	20205	TEE, 3/4, BLACK
7	2	05259	ELBOW, STREET, 90° X 3/4, BLK.
6	I	03277	VALVE, BALL, 3/4, BRASS
5	I	05258	ELBOW, 90°, 3/4, BLACK
4	2	14343	NIPPLE, 3/4 X CLOSE, BLACK
3	I	22193	VALVE, SOLINOID, 3/4, 50 PSI
2	I	14354	NIPPLE, BLACK 3/4" X 5.00"
1	I	21305	UNION, BLACK, 3/4"
NO.	QTY.	PART NO.	DESCRIPTION
TOLERANCES (UNLESS OTHERWISE SPECIFIED)			
CLEVELAND RANGE INC. 1333 East 179th St., Cleveland, Ohio 44110-2574			
DECIMAL ± N/A	SCALE 1/2"=1	DRAWN BY DUTCHMAN	APPROVED BY
ANGULAR ± N/A	TITLE STEAM SUPPLY VALVE STEAM COIL PIPING ASSY.		
CK	DATE 01-29-92	DRAWING NO. C - 42809	REV. E

THIS DESIGN DESCRIBES A PROPRIETARY ITEM AND IS THE PROPERTY OF CLEVELAND RANGE. THIS DRAWING IS NOT TO BE COPIED OR USED WITHOUT THE APPROVAL OF CLEVELAND RANGE.

NOTE: 1. MOUNT P/N 100084 TO LOWER RIGHT FRONT SUSSET (BASE FRAME).



LET.	REVISIONS	DATE	BY
A	REDRAWN - WAS COMBINED w/ 44070 & 440702. CHANGED ASSY ANGLE ORIENTATIONS.	1-21-92	SM
B	NEW VALVE HOUSING ON P/N 22223 (PICTORIAL ONLY) PER E.O. IC-2221 R1.	02-04-93	PJD
C	P/N 22223 REVISED PICTORIALLY P/N'S 18819 & 08218 OMITTED ADDED P/N 104381, AND ADDED ASSY 440702 PER E.O. IC-2448	08-18-93	EAG



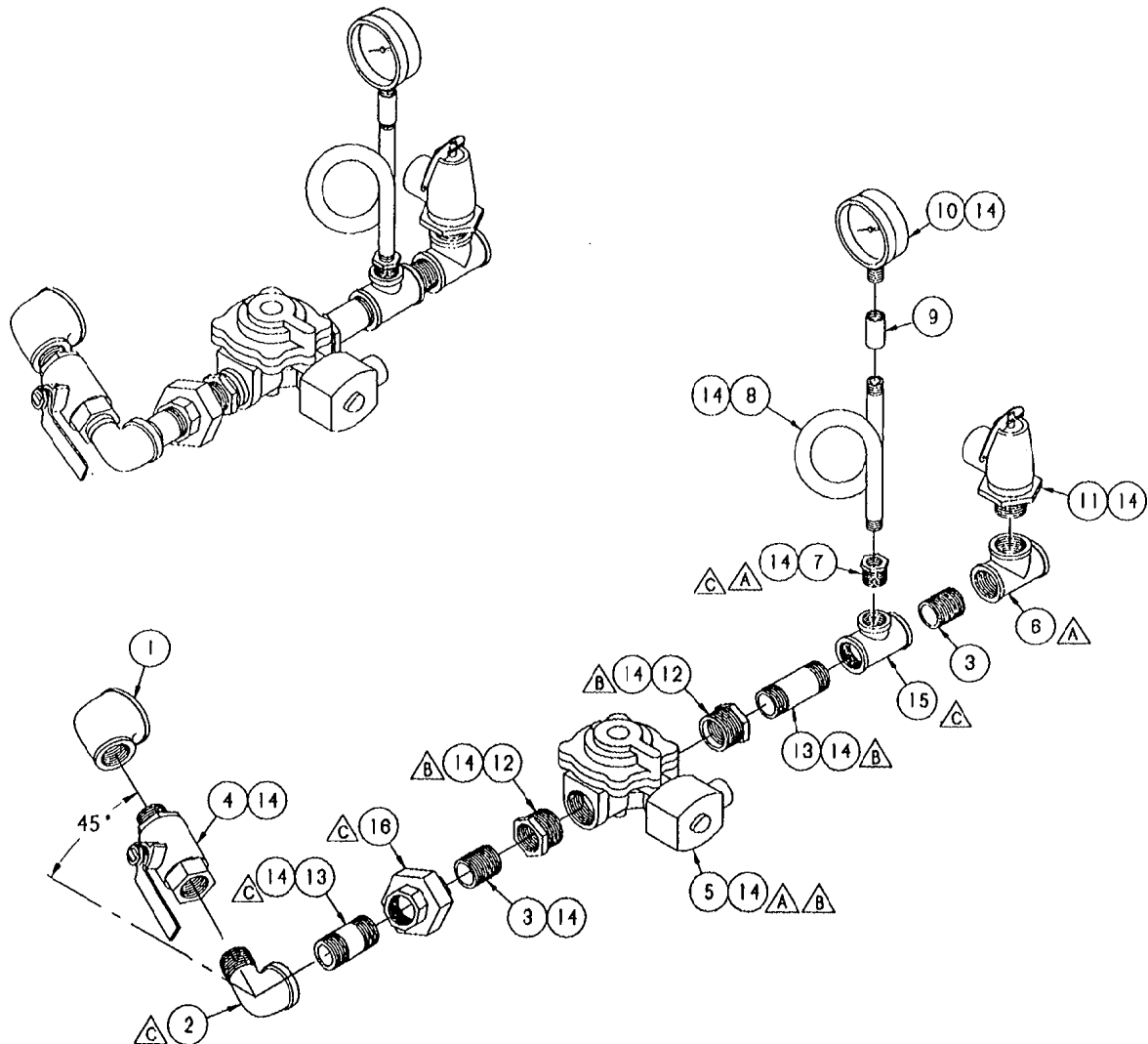
A/R	A/R	12	PART NO.	DESCRIPTION
			00934	SEALANT, RECTORSEAL
			105788	FITTING, HOSEBARB, 1/4H X 1/4MPT, 90°
			03278	VALVE, BALL, 1/4
			22102	VALVE, SWING CHECK, 1/4
			22223	VALVE, SOLENOID, 1/4 (GP200)
			104381	FITTING, HOSE, 1/4 H X 1/4 NPT
			20199	TEE, 1/4, BRASS
			05236	ELBOW, 1/4, 90°, BRASS
			14304	NIPPLE, 1/4 X CLOSE, BRASS
			100084	CLAMP, MOUNTING
			19870	STRAINER, "V", 1/4, BRASS
			05235	ELBOW, STREET, 1/4, 90°, BRASS

SEE NOTE 1

THIS DESIGN DESCRIBE... RIETARY ITEM AND IS THE PROPERTY C... ELAND RANGE. THIS DRAWING IS NOT TO BE COPIED OR USED WITHOUT THE APPROVAL OF CLEVELAND RANGE

TOLERANCES (EXCEPT AS NOTED)		CLEVELAND RANGE INC.	
DECIMAL	SCALE 1/2=1	1333 East 179th St. Cleveland, Ohio 44110-2574	
ANGULAR	TITLE	DRAWN BY S. MILEWSKI	APPROVED BY
	PIPING ASSY., "V" FEED		JRES
	STEAM COIL AND	DATE	REV
		01-21-92	C - 440701 440702





LET.	REVISIONS	DATE	BY
A	REMOVED 05259, 21305, 02557, 20209, 02570 REPLACED 101899 WITH 22193 ADDED 05263, 20205, 02582	5-19-92	SM
B	CHANGED 101899 FROM 22193 ADDED 02598, 14345	7-20-92	SM
C	ADDED 21305 & 20209; 02557 WAS 02562; 14344 WAS 14345; 05259 WAS 05263; 20205 WAS QTY 12)	12-2-93	EAG

△C	16	1	21305	UNION, PIPE, 3/4" BLK. NO WARWICKS
△C	15	1	20209	TEE, 3/4" X 3/4" X 1/2, BLACK
	14	A/R	00934	SEALANT, RECTORSEAL
△C	13	2	14344	NIPPLE, 3/4 X 2", BLACK
△B	12	2	02598	BUSHING, HEX, 1" X 3/4, BLACK
	11	1	100075	VALVE, BOILER SAFTEY, 50 PSI
	10	1	07169	GUJAGE, 0-100 PSI, 1/4 NPT
	9	1	03665	COUPLING, FULL, 1/4, S/S
	8	1	18820	PIPE, PIGTAIL, 1/4
△C	7	1	02557	BUSHING, 1/2 X 1/4, BLACK
△C	6	1	20205	TEE, 3/4, BLACK
△B	5	1	101899	VALVE, STEAM SOLENOID, 1" NPT
	4	1	03277	VALVE, BALL, 3/4, BRASS
	3	2	14343	NIPPLE, 3/4 X CLOSE, BLACK
△C	2	1	05259	ELBOW, STREET, 90°, 3/4, BLACK
	1	1	05270	ELBOW, 90°, 1-1/4 X 3/4, BLACK
	ITEM	QTY.	PART NO.	DESCRIPTION

TOLERANCES  
(EXCEPT AS NOTED)

**CLEVELAND RANGE INC.**  
1333 East 179th St. Cleveland, Ohio 44110-2574

DECIMAL  
± N/A  
ANGULAR  
± N/A

SCALE  
1/4=1

DRAWN BY  
S. MILEWSKI

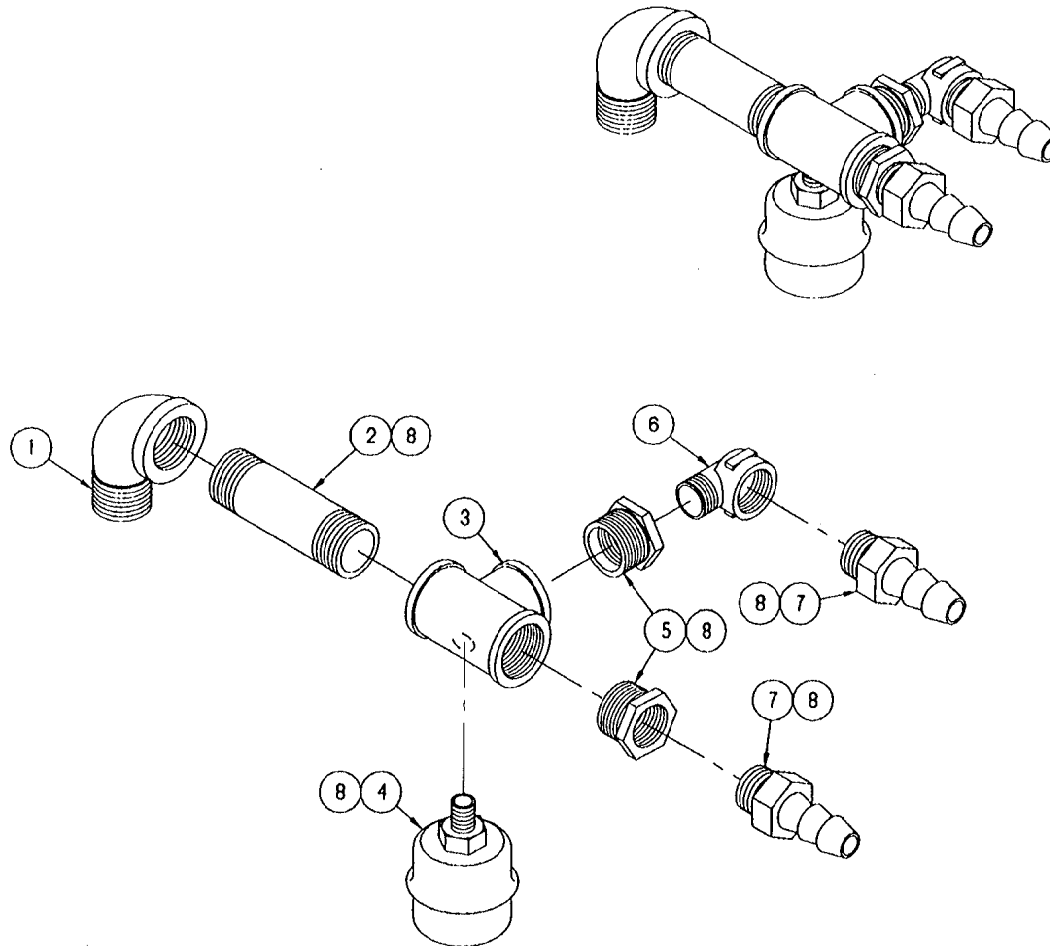
APPROVED BY

TITLE  
PIPING ASSEMBLY - STEAM SUPPLY  
LARGE STEAM COIL GENERATOR

CK DATE 05-13-92 DRAWING NO. B - 101723 REV. C

THIS DESIGN DESCRIBES A PROPRIETARY ITEM AND IS THE PROPERTY OF CLEVELAND RANGE. THIS DRAWING IS NOT TO BE COPIED OR USED WITHOUT THE APPROVAL OF CLEVELAND RANGE.

LET.	REVISIONS	DATE	BY
A	REPLACED 14494 WITH 14355 70413 WITH 03732 REMOVED 101708, 05231, 02570 QTY 2	5-19-92	SM
B	REMOVED P/N 03732 ADDED P/N 20208, 14342	7-17-92	SM
C	REMOVED 02583, 20208 & 14342; ADDED 70413, 101708; 14494 WAS 14355; 02570 WAS QTY (1)	12-03-93	EAG

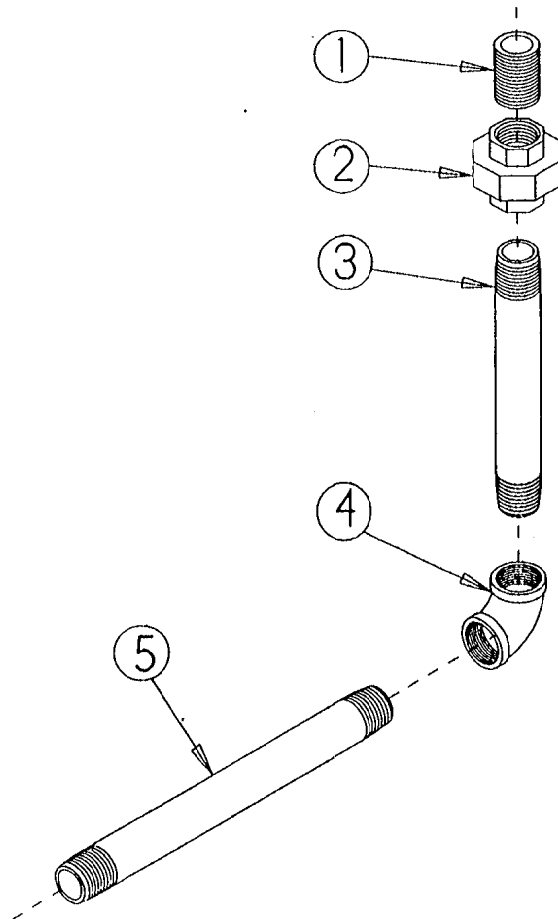


8	A/R	00934	SEALANT, RECTORSEAL
7	2	08240	FITTING, HOSE BARB, 3/4 H x 3/4
6	1	05231	ELBOW, STREET, 90°, 3/4, BRASS
5	2	02570	BUSHING, HEX, 1" X 3/4", BRASS
4	1	101207	TRAP, THERMOSTATIC, 1/4 NPT
3	1	70413	TEE, 1", BRASS - MODIFIED (PCL ST COIL)
2	1	14494	NIPPLE, 1 X 4, BRASS
1	1	101708	ELBOW, STREET, 90°, 1", BRASS
ITEM	QTY.	PART NO.	DESCRIPTION

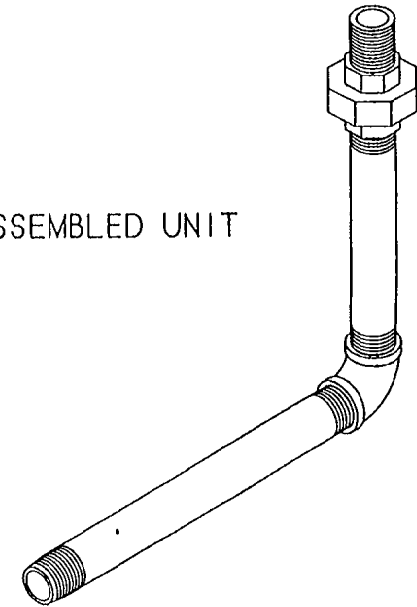
TOLERANCES (EXCEPT AS NOTED)		<b>CLEVELAND RANGE INC.</b> 1333 East 179th St. Cleveland, Ohio 44110-2574	
DECIMAL ± N/A	SCALE 3/8=1	DRAWN BY S. MILEWSKI	APPROVED BY
ANGULAR ± N/A	TITLE PIPING ASSM, STEAM OUTLET PCL, STEAM COIL GENERATOR		
CK	DATE 05-13-92	DRAWING NO. B - 101724	REV. C

THIS DESIGN DESCRIBES A PROPRIETARY ITEM AND IS THE PROPERTY OF CLEVELAND RANGE. THIS DRAWING IS NOT TO BE COPIED OR USED WITHOUT THE APPROVAL OF CLEVELAND RANGE.

LET	REVISIONS	DATE	BY
A	ITEM 3 WAS 14382 & 7.500 ITEM 5 WAS 14388 & 10.500 REDRAWN - E.O. #C-1994	08-08-91	PJD



ASSEMBLED UNIT



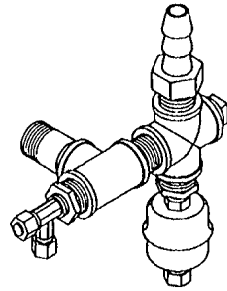
5	1	14388	NIPPLE, 3/4 NPT X 10.00	BLACK
4	1	05258	ELBOW, 3/4 X 90°	BLACK
3	1	14380	NIPPLE, 3/4 NPT X 7.00	BLACK
2	1	21305	UNION, 3/4 NPT	BLACK
1	1	14343	NIPPLE, CLOSE, 3/4 NPT	BLACK
NO.	QTY.	PART NO.	DESCRIPTION	

TOLERANCES  
(EXCEPT AS NOTED)

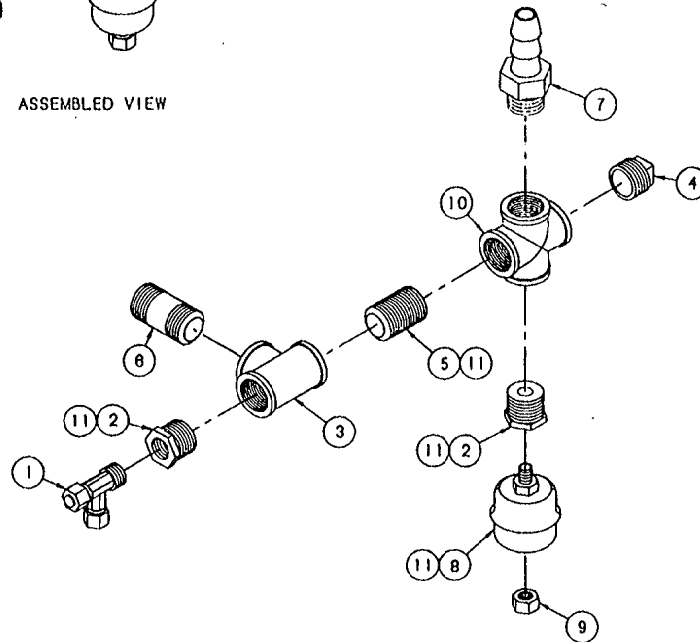
DECIMAL ± N/A	SCALE 1/2"	DRAWN BY J.J.	APPROVED BY
ANGULAR ± N/A	TITLE PIPING ASS'Y. STEAM SUPPLY - STEAM COIL REVERSE BEND		
CK	DATE 10-31-84	DRAWING NO. C-42808	REV. A

THIS DESIGN DESCRIBES A PROPRIETARY ITEM AND IS THE PROPERTY OF CLEVELAND RANGE. THIS DRAWING IS NOT TO BE COPIED OR USED WITHOUT THE APPROVAL OF CLEVELAND RANGE.

CLEVELAND RANGE INC.  
1333 East 179th St. Cleveland, Ohio 44110-2574



ASSEMBLED VIEW



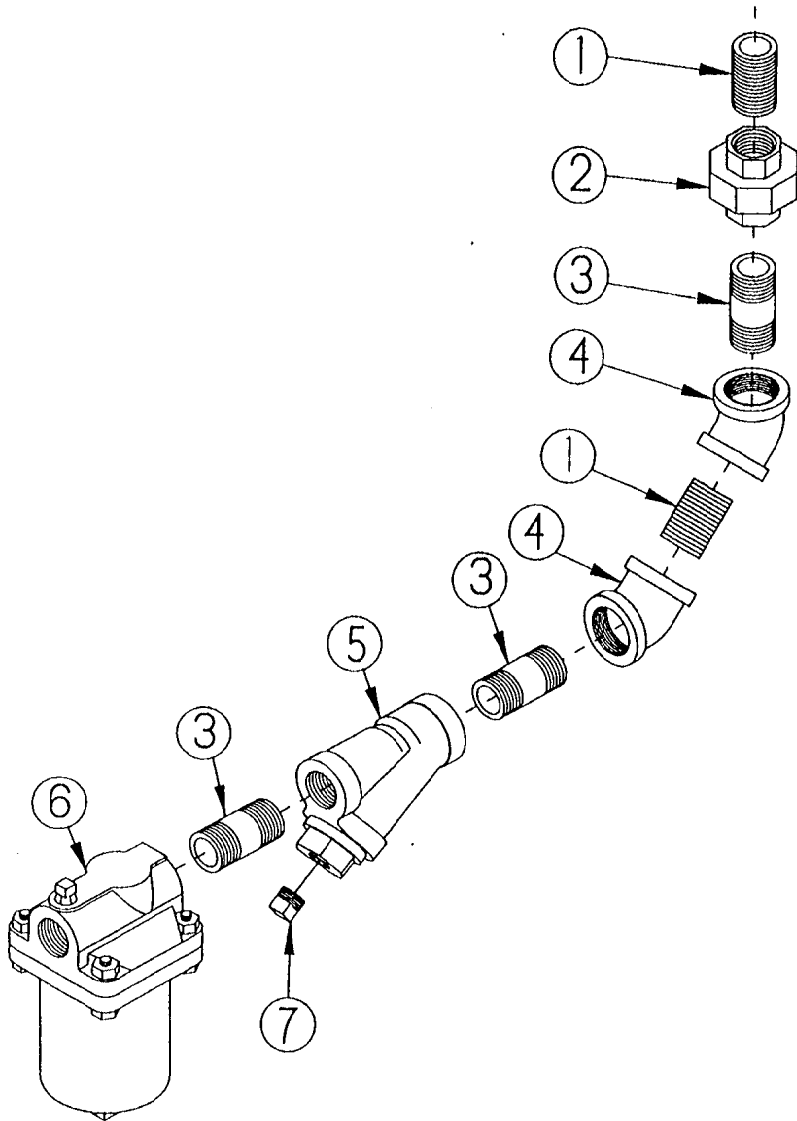
REF.	REVISIONS	DATE	BY
A	ITEM 4 WAS P/N 06206		
B	ITEM 1 & 2 CHANGED POSITION W/ ITEM 6		
C	ITEMS 1, 2 & 6 RETURNED TO ORIGINAL POSITION. E.O. - 1851	12-10-90	GS
D	REDRAWN ON CADKEY ONLY CHANGE	10-13-93	EG

ITEM	QTY.	PART NO.	DESCRIPTION
11	A/R	00934	SEALANT, RECTORSEAL
10	1	03732	CROSS, 4-WAY 3/4" BRASS
9	1	14661	NUT, COMPRESSION, 1/4" TUBE, BRASS
8	1	101207	TRAP, THERMOSTATIC, 1/4" X 1/4"
7	1	08240	FITTING, HOSE BARB, 3/4" HOSE X 3/4" MPT BRASS
6	1	14431	NIPPLE, 3/4" X 2", BRASS
5	1	14342	NIPPLE, 3/4" X CLOSE, BRASS
4	1	16607	PLUG, SQUARE HEAD, 3/4", BRASS
3	1	20206	TEE, 3/4" BRASS
2	2	02583	BUSHING, REDUCING, 3/4" X 1/4", BRASS
1	1	100883	FITTING, COMP., TEE 3/8" X 3/8" MPT X 3/8"

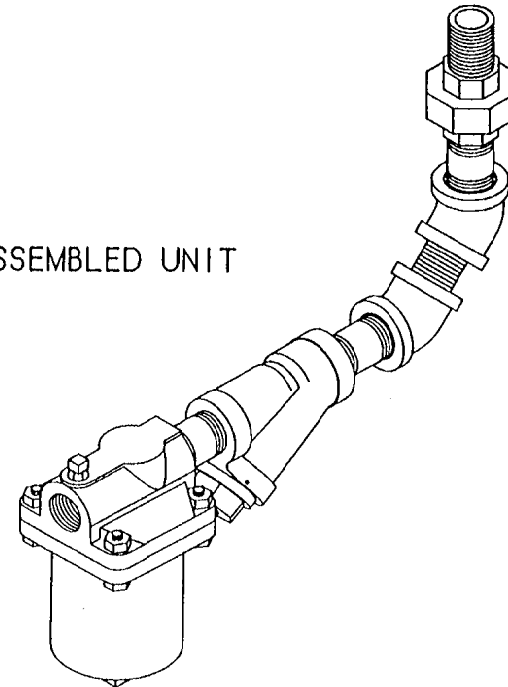
TOLERANCES (UNLESS AS NOTED)		CLEVELAND RANGE INC. 1333 East 178th St. Cleveland, Ohio 44110-2874	
DECIMAL ± N/A	SCALE 1/2"=1"	DRAWN BY GS	APPROVED BY
FRACTIONAL ± N/A	TITLE STEAM OUTLET ASSEMBLY 21CSM	DATE 12-3-90	
CK	DRAWING NO. C - 428123		

THIS DESIGN DESCRIBES A PROPRIETARY ITEM AND IS THE PROPERTY OF CLEVELAND RANGE. THIS DRAWING IS NOT TO BE COPIED OR USED WITHOUT THE APPROVAL OF CLEVELAND RANGE.

LET	REVISIONS	DATE	BY
A	ITEM 1 WAS QTY. OF 4 ITEM 3 WAS QTY. OF 1 ADDED ITEM 7 - PLUG REDRAWN - E.O. #C-1994	08-08-91	PJD



ASSEMBLED UNIT

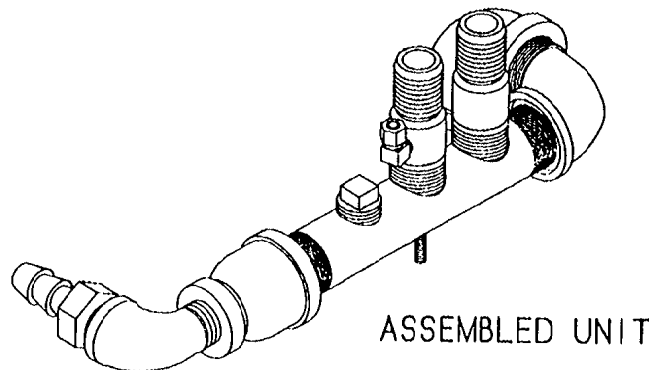
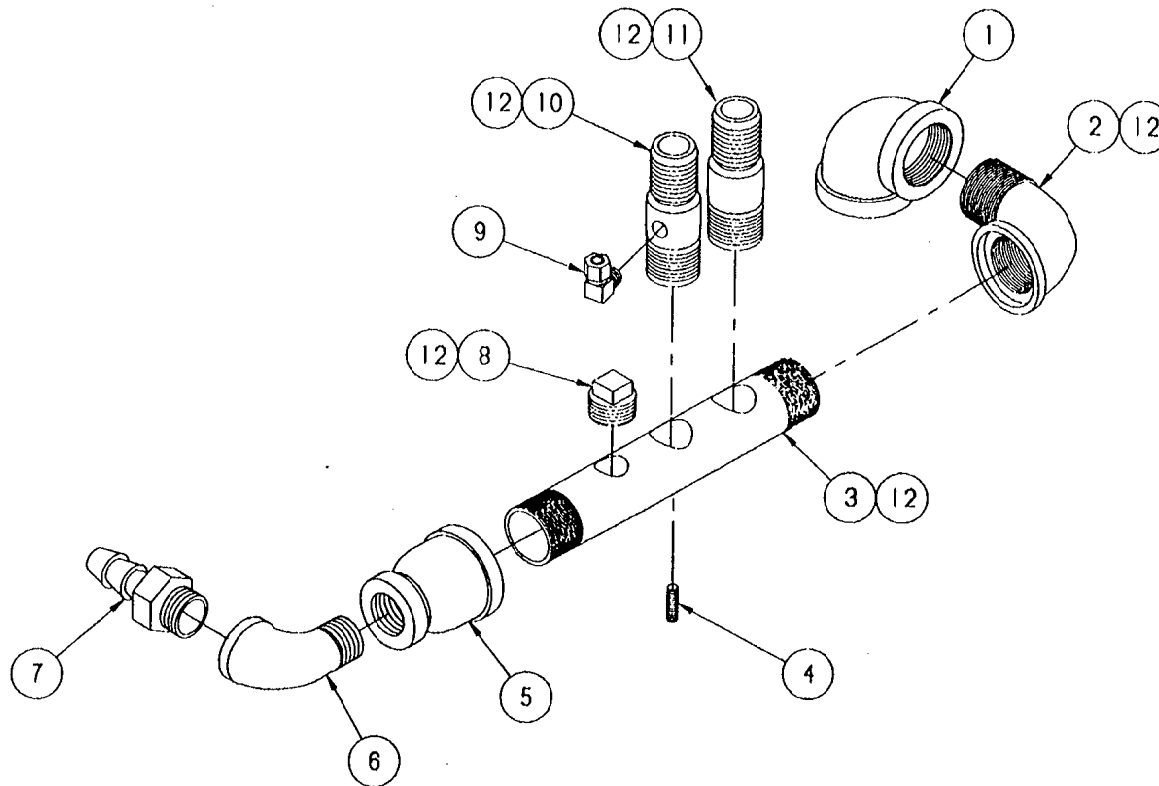


NO.	QTY.	PART NO.	DESCRIPTION
7	1	18801	PLUG, SQUARE HEAD 3/8" PIPE BLACK
6	1	20555	TRAP, BUCKET #80 3/4-80
5	1	19872	STRAINER, 3/4 NPT BLACK
4	2	05282	ELBOW, 3/4 X 45° BLACK
3	3	14344	NIPPLE, 3/4 NPT X 2.00 BLACK
2	1	21305	UNION, 3/4 NPT BLACK
1	2	14343	NIPPLE, CLOSE, 3/4 NPT BLACK

NO.	QTY.	PART NO.	DESCRIPTION
<b>TOLERANCES</b> <small>(EXCEPT AS NOTED)</small>			
<b>CLEVELAND RANGE INC.</b> 1333 East 179th St. Cleveland, Ohio 44110-2571			
DECIMAL	SCALE 1/2"	DRAWN BY J.J.	APPROVED BY -
2 - N/A			
ANGULAR	TITLE PIPING ASS'Y, CONDENSATE DRAIN - STEAM COIL REVERSE BEND		
2 - N/A			
DATE	DRAWING NO.	REV.	

THIS DESIGN DESCRIBES A PROPRIETARY ITEM AND IS THE PROPERTY OF CLEVELAND RANGE. THIS DRAWING IS NOT TO BE COPIED OR USED

LET.	REVISIONS	DATE	BY
-	PRODUCTION RELEASE E.O. 14176	08-23-91	PJD
A	P/N 14317 & 20205 OMITTED AND P/N 08240 WAS QTY. OF 2 PER E.O. 14176	08-22-93	PJD

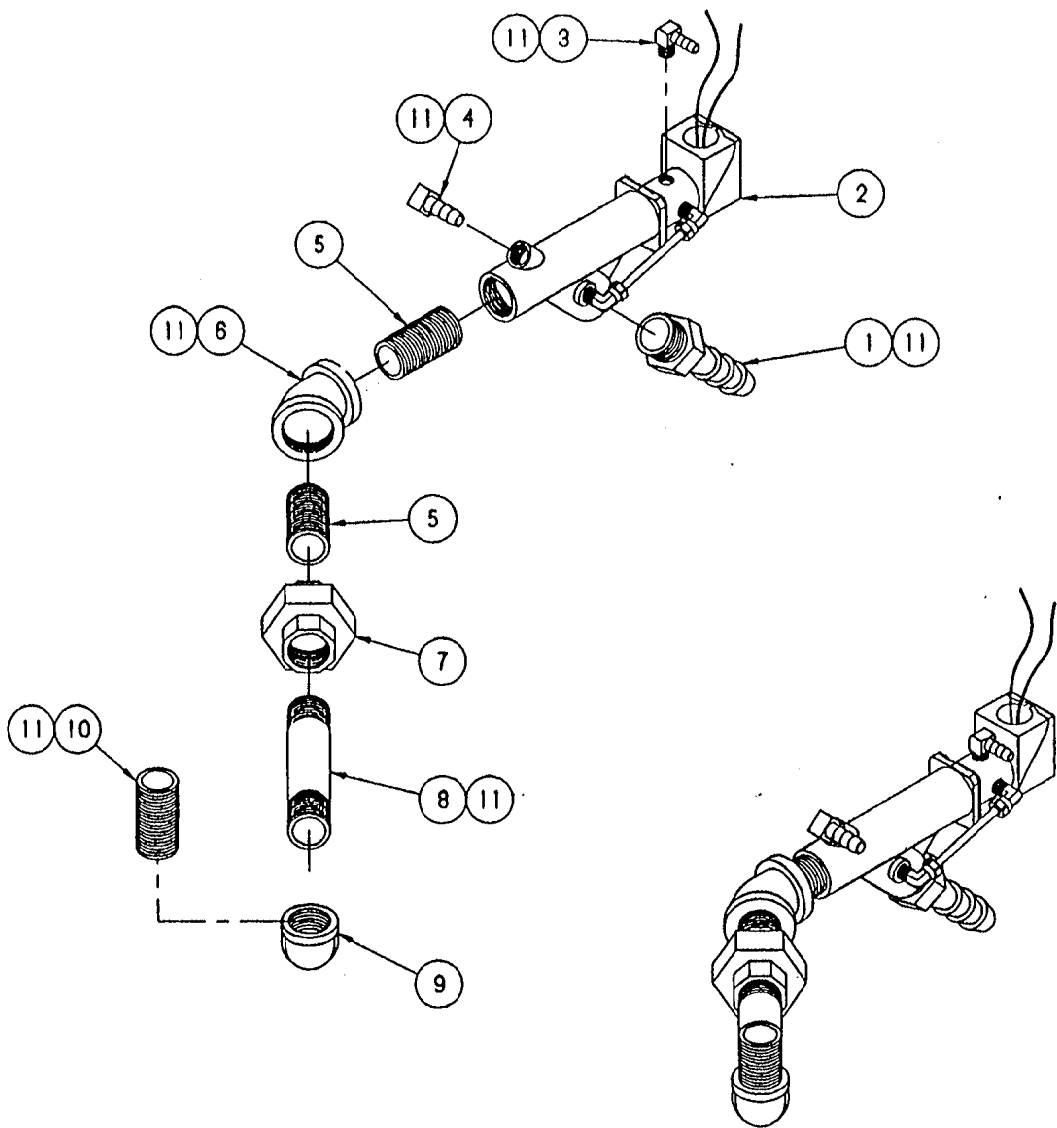


ASSEMBLED UNIT

ITEM	QTY.	PART NO.	DESCRIPTION
12	M/R	00934	SEALANT, RECTORSEAL
11	1	14481	FITTING, BARB 1" H X 1" MPT S/S
10	1	585191	FITTING, HOSE, DRAIN MANIFOLD W/ 1/8 HOLE
9	1	08192	FITTING, COMP. 1/4 T X 1/8 MPT 90°
8	1	18808	PLUG, SQ. HEAD, 3/4" PIPE, BLACK
7	1	08240	FITTING, HOSE BARB 3/4 H X 3/4 MPT
6	1	05259	ELBOW, STREET 3/4 X 90°, BLACK
5	1	03818	COUPLING, RED. 1-1/2 X 3/4, BLACK
4	1	19917	STUD, WELD 1/4-20 X 7/8, S/S
3	1	13252	MANIFOLD, DRAIN 1-1/2 NPT, BLACK
2	1	05292	ELBOW, STREET 1-1/2 NPT X 90° BLACK
1	1	05238	ELBOW, 1-1/2 NPT X 90°, BLACK

TOLERANCES (EXCEPT AS NOTED)		SCALE		DRAWN BY		APPROVED BY	
DECIMAL	± N/A	1/2"		P. J. D.			
ANGULAR	± N/A	TITLE					
		PIPING ASSEMBLY DRAIN					
		38CGM/SM, 38CGM/LG, 3. 24CSM, 36CSM					
DATE	08-13-91	DRAWING NO.	C - 42751		REV.	A	

THIS DESIGN DESCRIBES A PROPRIETARY ITEM AND IS THE PROPERTY OF CLEVELAND RANGE. THIS DRAWING IS NOT TO BE COPIED OR USED WITHOUT THE APPROVAL OF CLEVELAND RANGE.



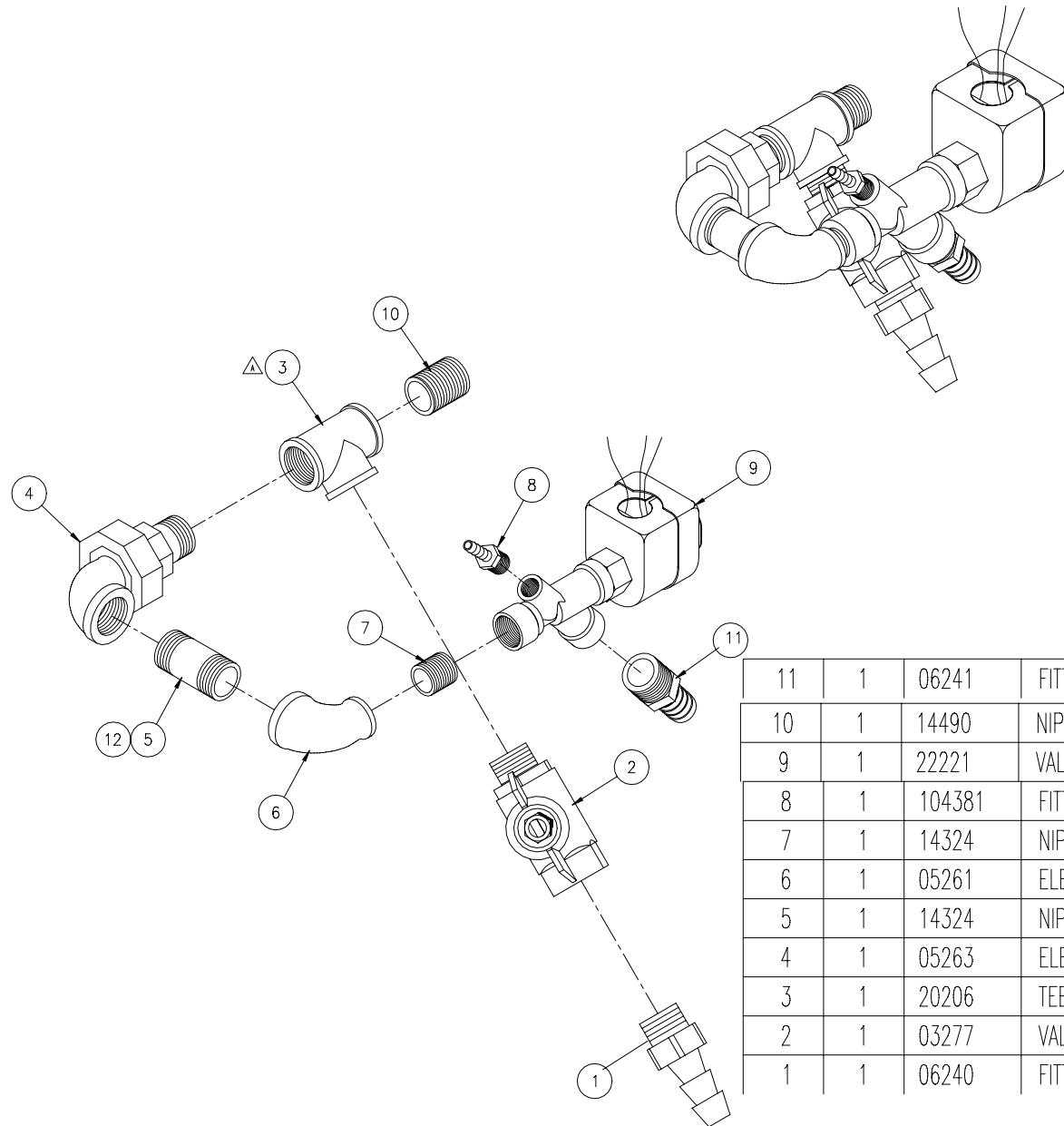
LET.	REVISIONS	DATE	BY
A	REDRAWN - P/N 06210 WAS 06208, P/N 06211 WAS 06207, E.O. C-1994	08-15-91	PJD
B	P/N 20208 WAS 20219 ADDED P/N 14490 & P/N 00934 E.O. 4C-2075	11-12-91	PJD
C	ROTATED THREAD POSITION ON P/N'S 05283 & 03277, MOVED P/N 14342. E.O. 4C-2350	1-12-93	NLT
D	P/N 06210 WAS 06211, P/N 22244 WAS 22221, P/N 105786 WAS 06214, P/N 14342 WAS 14324, P/N 05280 WAS 20206, P/N 105787 ADDED AND P/N'S 02586, 05283 & 03277 OMITTED PER E.O. 4C-2448	08-21-93	PJD

NO.	QTY.	PART NO.	DESCRIPTION
11	1	00934	SEALANT, RECTORSAL
10	1	14490	HIPPLE, 3/4 X CLOSE, 8/8
9	1	05280	ELBOW, 1/2 NPT X 90°, BRASS
8	1	14355	HIPPLE, 3/4 NPT X 5' LG., BRASS
7	1	21304	UNION, 3/4 NPT, BRASS
6	1	05282	ELBOW, 3/4 X 45°, BRASS
5	2	14342	HIPPLE, 3/4 X CLOSE, BRASS
4	1	105788	FITTING, HOSE BARB, 1/4 N X 1/4 NPT, 90°
3	1	105787	FITTING, HOSE BARB, 1/4 N X 1/8 NPT, 90°
2	1	22244	VALVE, SOLENOID, 1/2", 15 PSI
1	1	06210	FITTING, HOSE BARB, 3/4 N X 3/4 NPT

THIS DESIGN DESCRIBES A PROPRIETARY ITEM AND IS THE PROPERTY OF CLEVELAND RANGE. THIS DRAWING IS NOT TO BE COPIED OR USED WITHOUT THE APPROVAL OF CLEVELAND RANGE.

TOLERANCES <small>UNLESS NOTED OTHERWISE</small>		<b>CLEVELAND RANGE INC.</b> 1330 East 179th St., Cleveland, Ohio 44110-2574	
DECIMAL ± N/A	SCALE 1/2	DRAWN BY J.J.	APPROVED BY .
ANGULAR ± N/A	TITLE PIPING ASSEMBLY, DRAIN 21CSM, 36CSM, 42CSM, PSM		
OK	DATE 11-21-84	DRAWING NO. C-42813	REV. D

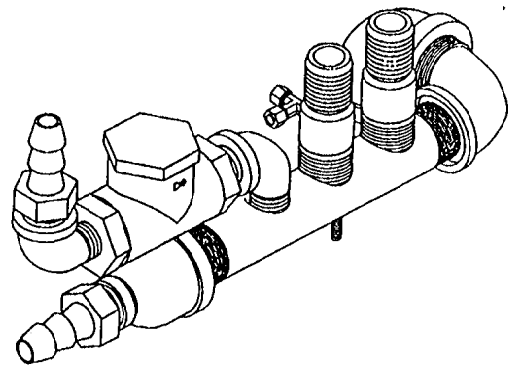
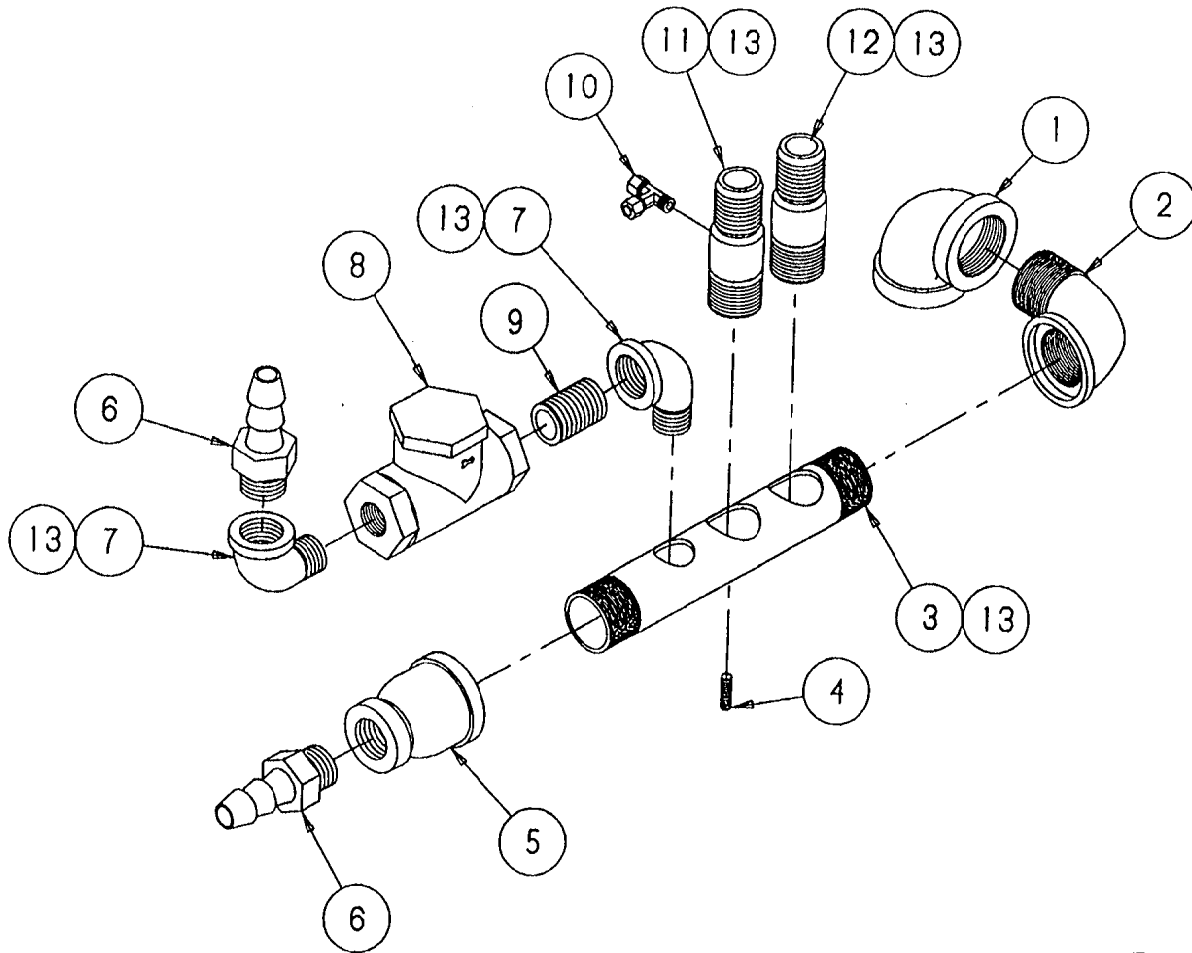
LET.	REVISIONS	DATE	BY
------	-----------	------	----



11	1	06241	FITTING, HOSE BARB, 3/4"H x 1/2"MPT
10	1	14490	NIPPLE, 3/4" x CLOSE, S/S
9	1	22221	VALVE, ASCO HV220649
8	1	104381	FITTING, HOSE BARB, 1/4"H x 1/4" NPT
7	1	14324	NIPPLE, 1/2" x CLOSE, BRASS
6	1	05261	ELBOW, 3/4" x 1/2" x 90°
5	1	14324	NIPPLE, 3/4" x 2", BRASS
4	1	05263	ELBOW, 90° RADIATOR, 3/4"
3	1	20206	TEE, 3/4", BRASS
2	1	03277	VALVE, BALL, 3/4" (W/OUT HANDLE)
1	1	06240	FITTING, HOSE BARB, 3/4"H x 3/4" MPT

ITEM	QTY	PART NO.	DESCRIPTION
<b>CLEVELAND RANGE, LLC</b>			
1333 East 179th St., Cleveland, Ohio 44110-2574			
<small>THIS DESIGN DESCRIBES A PROPRIETARY ITEM AND IS THE PROPERTY OF CLEVELAND RANGE. THIS DRAWING IS NOT TO BE COPIED OR USED WITHOUT THE APPROVAL OF CLEVELAND RANGE.</small>			
TOLERANCES (UNLESS OTHERWISE NOTED)	DO NOT SCALE PRINTED DRAWING	DRAWN BY S.MILEWSKI	DATE 7-18-91
DECIMAL ±.030	TITLE PIPING ASSEMBLY, BLOWDOWN 600 MM, GAS		
ANGULAR ± 1°	SIZE C	DRAWING NO. 40811	SHEET 1 OF 1 REV J





ASSEMBLED UNIT

LET	REVISIONS	DATE	BY
-	PRODUCTION RELEASE E.O. #C-2008	09-10-91	PJD
A	P/N 05259 WAS QTY. OF 2 E.O. #C-2048	10-11-91	PJD
B	P/N 105541 WAS P/N 20249 E.O. #C-2134 RI	03-11-92	PJD
C	P/N 05259 WAS QTY. OF 3, P/N 105541 OMITTED, P/N 08240 WAS QTY. OF 3 PER E.O. #C-2448	07-21-93	PJD

13	A/A	00934	SEALANT, RECTORSEAL
12	1	14481	FITTING, BARB 1" HOSE X 1" MPT S/S
11	1	585191	FITTING, HOSE - DRAIN MANIFOLD WITH 1/8" HOLE
10	1	101394	TEE, MALE RUN 1/4" T X 1/4" T X 1/8"
9	1	14343	HIPLLE, CLOSE, 3/4", BLACK
8	1	22119	VALVE, SWING CHECK, 3/4"
7	2	05259	ELBOW, STREET, 90°, 3/4", BLACK
6	2	08240	FITTING, HOSE BARB 3/4" HOSE X 3/4" MPT
5	1	03818	COUPLING, RED, 1-1/2 - 3/4" BLACK
4	1	19917	STUD, WELD, 1/4-20 X .875 S/S
3	1	13252	MANIFOLD, DRAIN 1-1/2 NPT BLACK
2	1	05292	ELBOW, STREET 1-1/2 NPT X 90° BLACK
1	1	05238	ELBOW, 1-1/2 NPT X 90° BLACK
NO.	QTY.	PART NO.	DESCRIPTION

TOLERANCES (UNLESS AS NOTED)			
DECIMAL	SCALE	DRAWN BY	APPROVED BY
± N/A	1/2"	P.J.D.	D.S.
ANGULAR	TITLE	DATE	
± N/A	DRAIN, MANIFOLD ASSEMBLY 42CKGM/SM 42CKGM/LG. M, 42CKSM	09-10-91	
CK	DATE	DRAWING NO.	REV.
	09-10-91	C-104873	C

THIS DESIGN DESCRIBES A PROPRIETARY ITEM AND IS THE PROPERTY OF CLEVELAND RANGE. THIS DRAWING IS NOT TO BE COPIED OR USED WITHOUT THE APPROVAL OF CLEVELAND RANGE.

CLEVELAND RANGE INC.

1333 East 179th St. Cleveland, Ohio 44110-2574